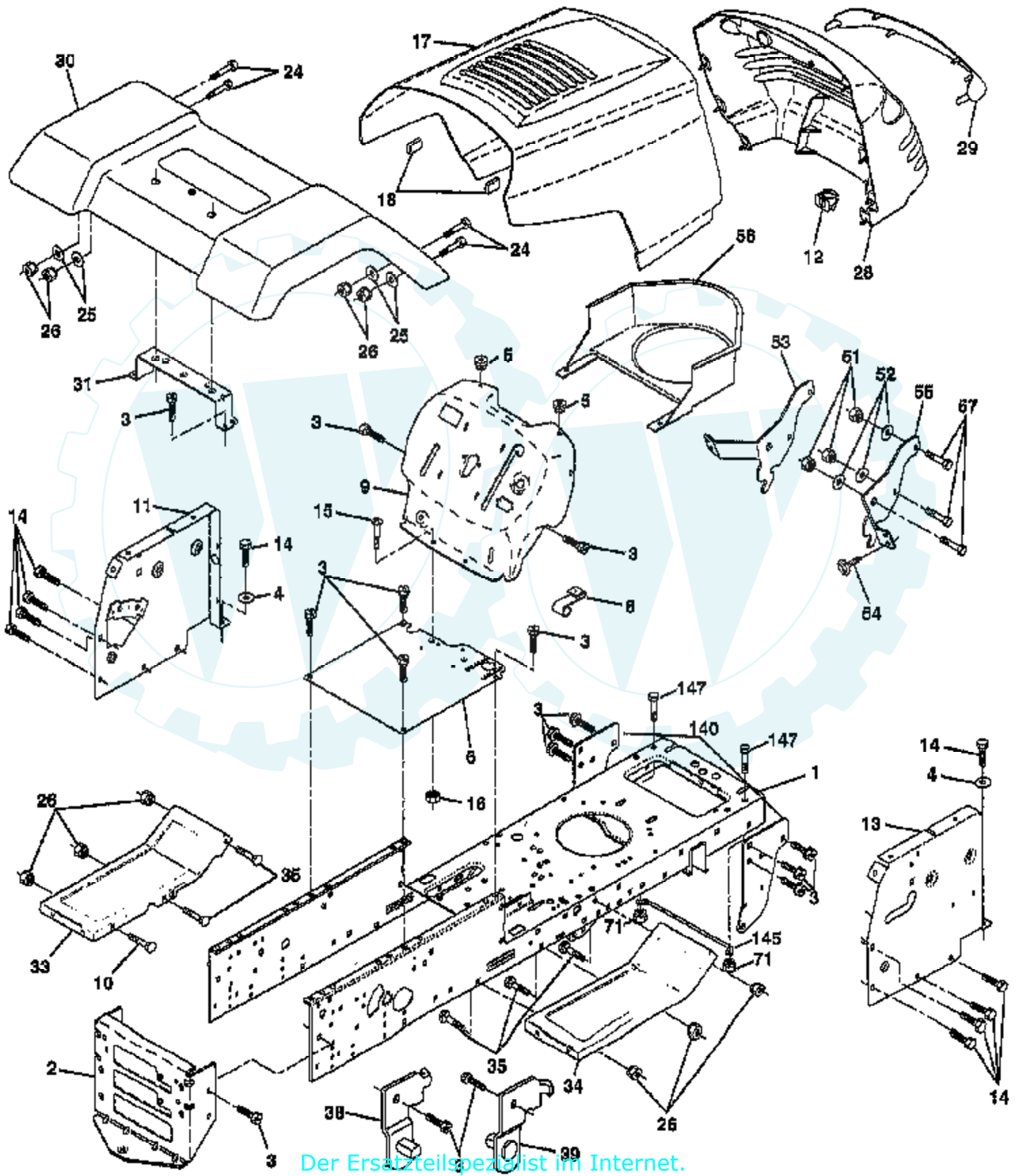


# TRACTOR - MODEL NO. LTH145 (JC145H42A)

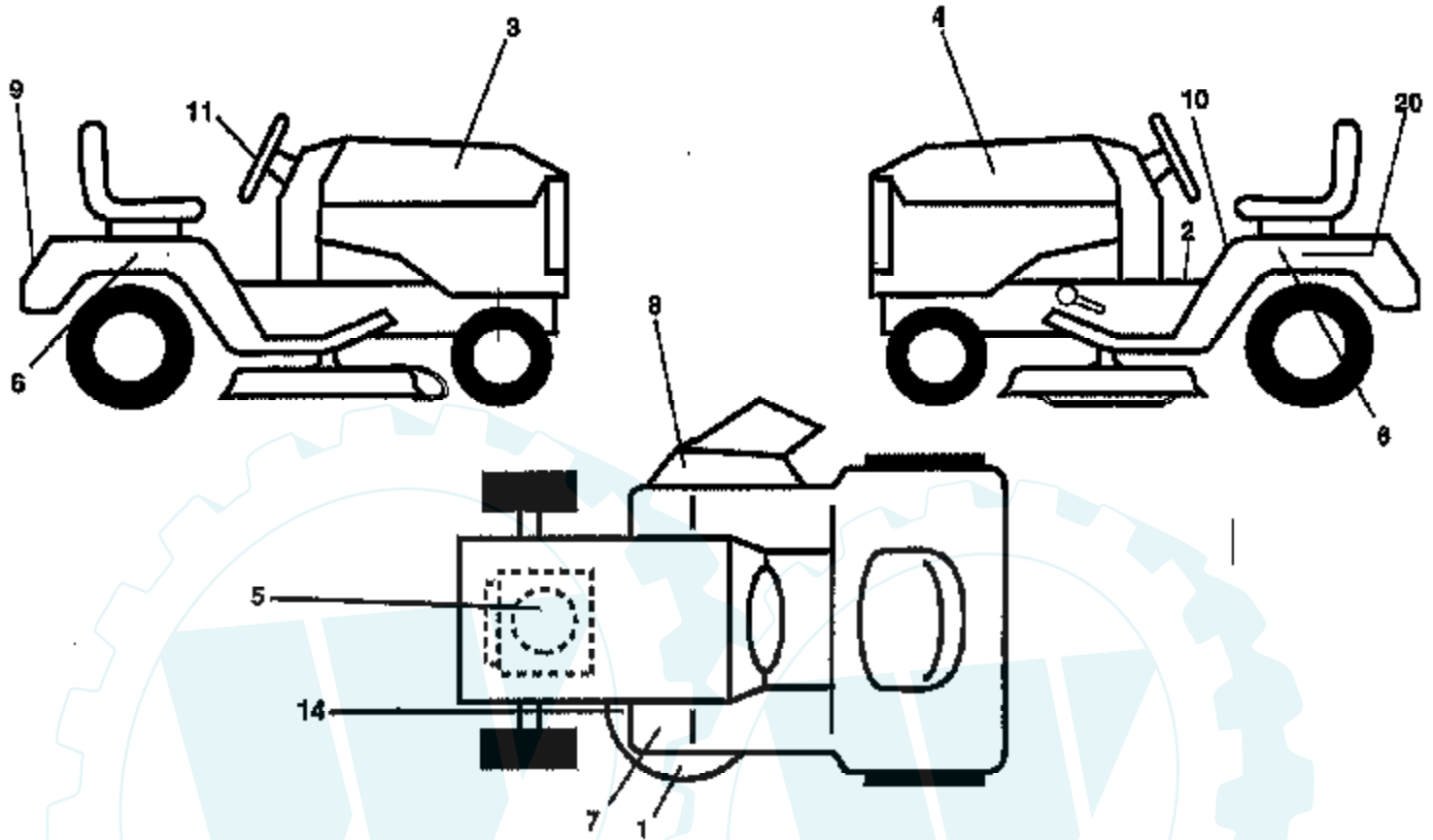
## CHASSIS AND ENCLOSURES



Ref #	Part Number	Qty	Description
1	532159530		SUB= 159530
2	532140356		SUB= 145009
3	817490612		SCREW THDROL 3/8-16X3/4 TY-TT
4	819131216		WASHER 13/32X3/4X16 GA
5	532155272		SUB= 155272
6	532155923		SUB= 155923
8	532155138		SUB= 155138
9	532157969		SUB= 147627X011
10	872140608		BOLT CARRIAGE 3/8-16X1
11	532155927		SUB= 155927
12	532145660		SUB= 145660
13	532157262		SUB= 155934X010
14	817490608		SCREW THDROL 3/8-16X1/2 TY-TT
15	874180512		SCREW MACHINE TRHD 5/16-18 X 3/4
16	873510500		NUT, KEPS 5/16-18
17	532159355		SUB= 159639X505
18	532126938		"BUMPER,HOOD T"
24	874780616		BOLT FIN HEX 3/8-16 X 1
25	819131312		WASHER
26	873800600		LOCKNUT
28	532157373		SUB= 157373
29	532140273		SUB= 140273
30	532141283		SUB= 140001X505
31	532136619		SUB= 136619
33	532125401		SUB= 105476X505
34	532125402		SUB= 105475X505
35	872110606		BOLT RDHD SHT SQNK 3/8-16 X 3/4
38	532139886		SUB= 139886
39	532139887		SUB= 139887
51	873800400		NUT LOCK HEX W/INS 1/4-20
52	819091416		WASHER 9/32 X 7/8 X 16 GA
53	532144697		SUB= 144697
54	817030814		SCREW LOCK SPIDER #8 X 7/8
55	532144696		SUB= 144696
57	874780412		BOLT HEX 1/4-20 X 3/4
58	532150127		SUB= 150127
71	873680400		NUT CROWNLOCK 1/4-20
145	532156524		SUB= 156524
147	874760412		BOLT HEX HD 1/4-20 X 3/4
	532005479		SUB= 5479J

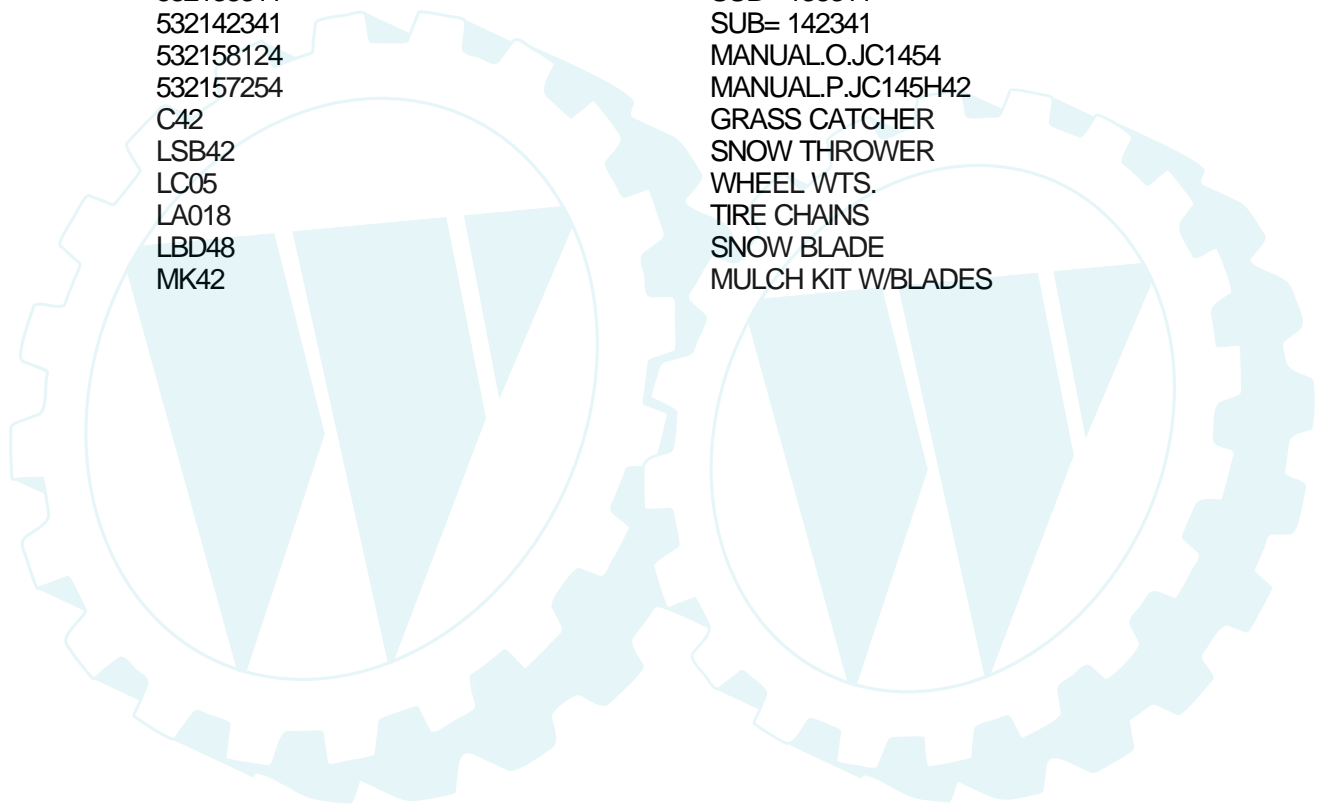
## TRACTOR - MODEL NO. LTH145 (JC145H42A)

### DECALS



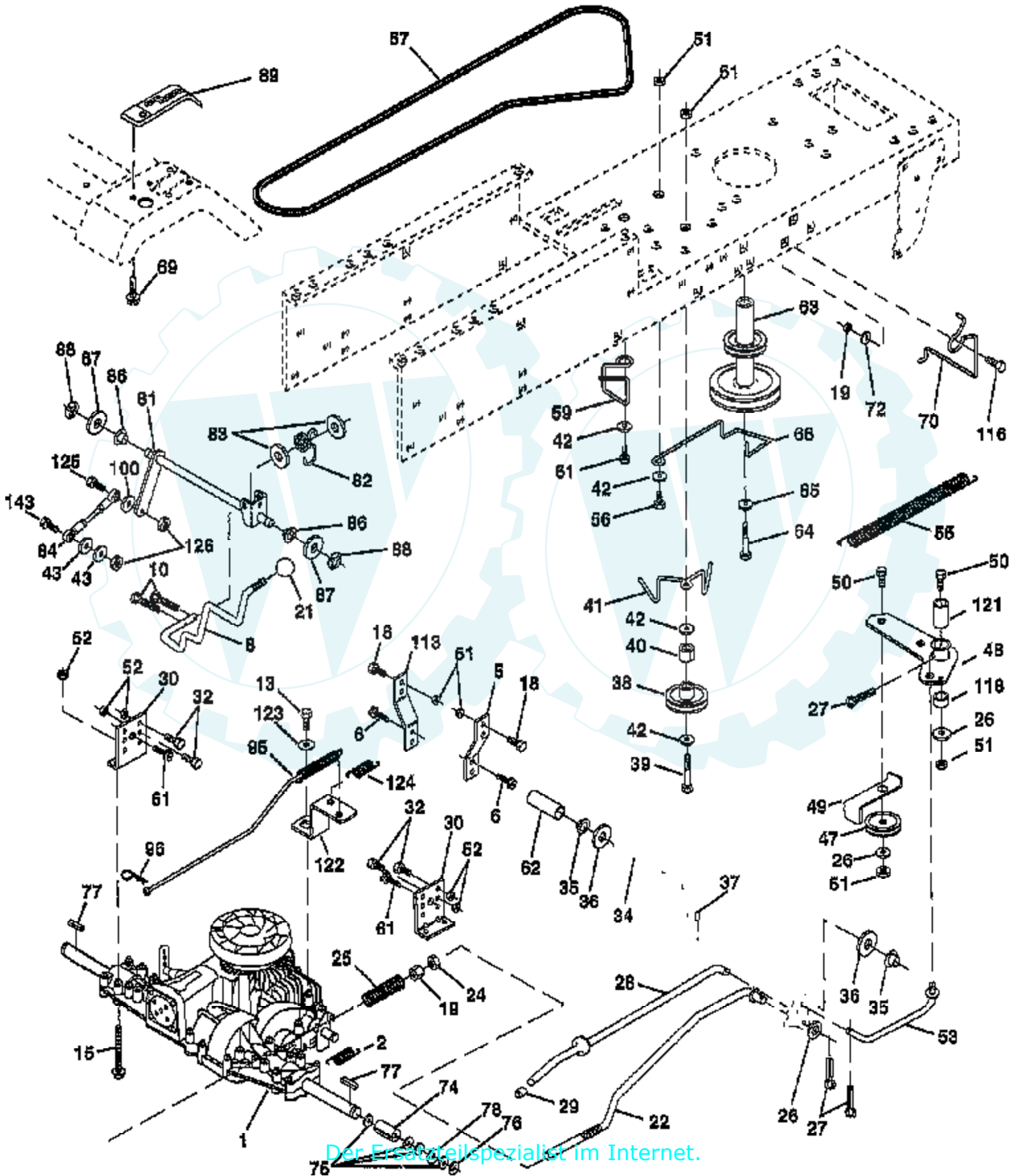
**NOTE:** All component dimensions given in U.S. inches  
1 Inch = 25.4 mm

Ref #	Part Number	Qty	Description
1	532134999		DECAL MOWER ENVIRO WHITE
2	532156990		SUB= 156990
3	532159272		DECAL HOOD RH
4	532159280		"DECAL HOOD,LH,LTH"
5	532272991		SUB= 272991
6	532150652		DECAL.FEND.AUTO.
7	532101892		SUB= 101892X
8	532137259		SUB= 137259
9	532141761		DECAL.FEND.LR/LT
10	532157140		SUB= 157140
11	532152252		DECAL INS STRG
14	532136832		SUB= 136832
20	532145005		SUB= 145005
	532138311		SUB= 138311
	532142341		SUB= 142341
	532158124		MANUAL.O.JC1454
	532157254		MANUAL.P.JC145H42
	C42		GRASS CATCHER
	LSB42		SNOW THROWER
	LC05		WHEEL WTS.
	LA018		TIRE CHAINS
	LBD48		SNOW BLADE
	MK42		MULCH KIT W/BLADES



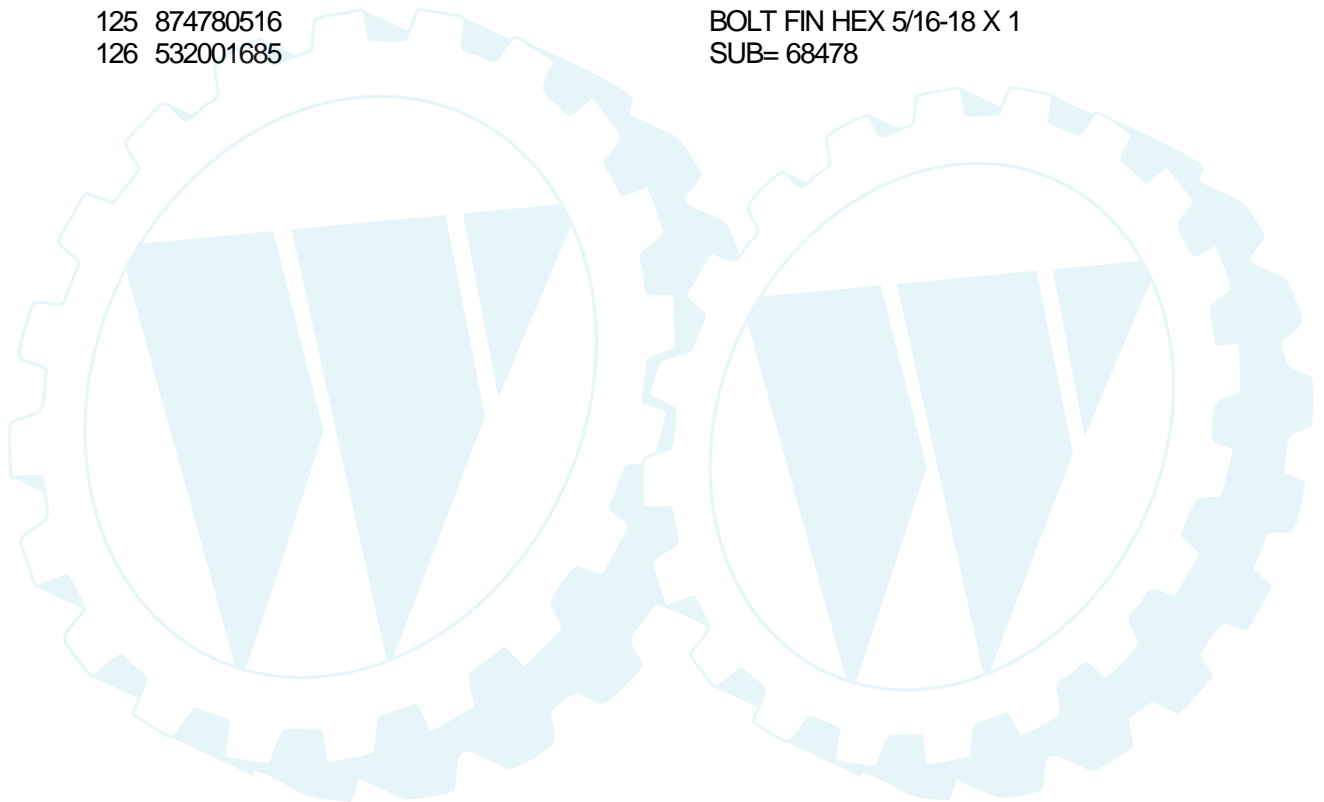
# TRACTOR - - MODEL NUMBER LTH145 (JC145H42A)

## DRIVE



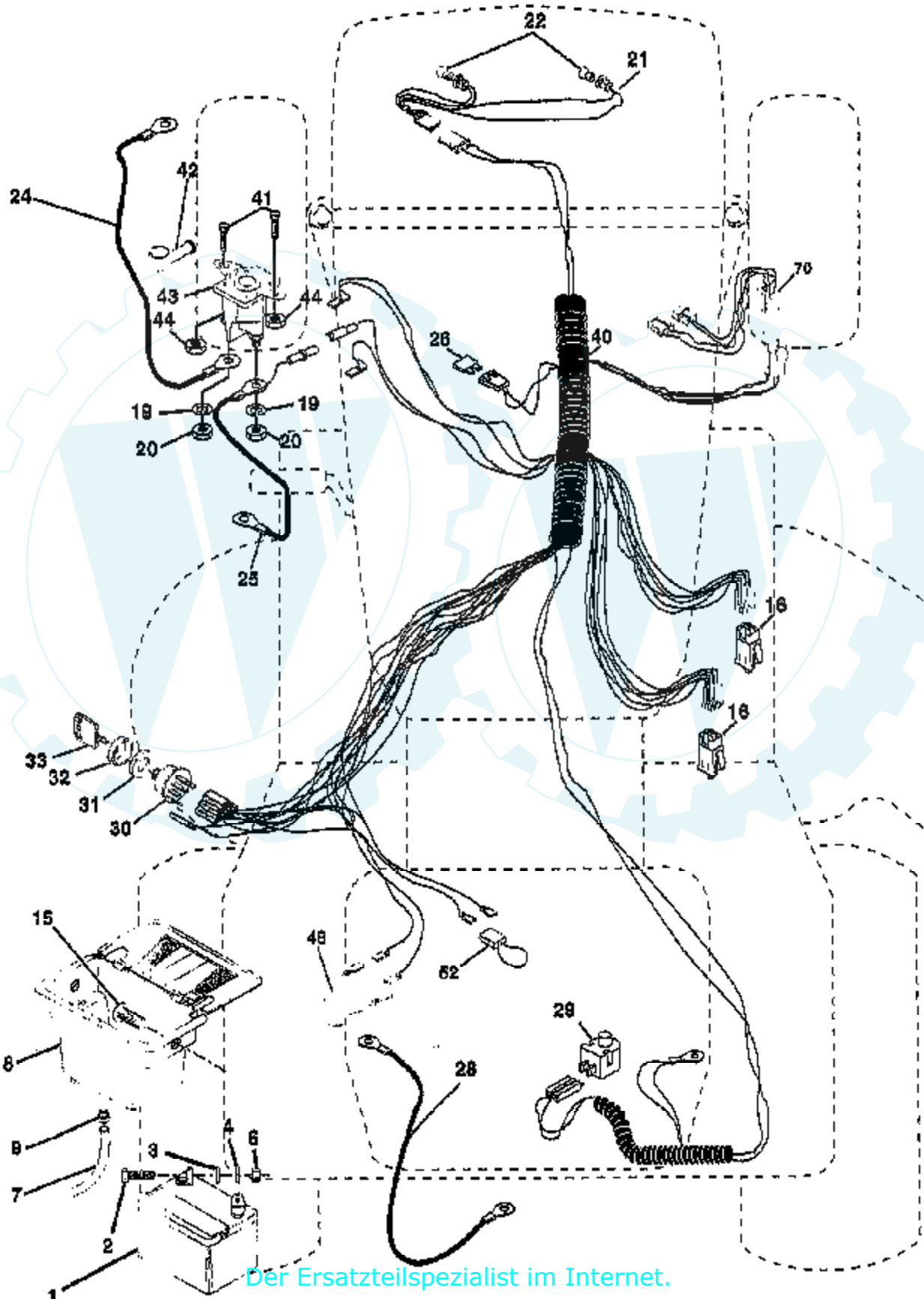
Ref #	Part Number	Qty	Description
1	205-027B		TRANSAXLE, PEERLESS
2	532146682		SUB= 146682
5	532121520		SUB= 121520X
6	817490512		SCREW THDROL 5/16-18 X 3/4 TYT
8	532141003		SUB= 141003
10	876020416		PIN COTTER 1/8 X 1 CAD
13	874550412		BOLT 1/4-28 GR 8 W/PATCH
15	874490544		BOLT HEX 5/16-18 GA 5
18	874780616		BOLT FIN HEX 3/8-16 X 1
19	873800600		LOCKNUT
21	532106933		SUB= 106933X
22	532130804		SUB= 130804
24	873350600		NUT HEX JAM 3/8-16 UNC
25	532106888		SUB= 106888X
26	819131316		WASHER 13/32 X 13/16 X 16 GA
27	876020412		PIN COTTER 1/8 X 3/4 CAD
28	532145204		SUB= 145204
29	532071673		SUB= 71673
30	532130807		SUB= 130807
32	874760512		BOLT, HEX 5/16-18 X 3/4
34	532155071		SUB= 155071
35	532120183		SUB= 120183X
36	819211616		WASHER 21/32 X 1 X 16 GA
37	532124963		SUB= 2882J
38	532123674		SUB= 123674X
39	874760644		BOLT FIN HEX 3/8-16 X 2-3/4
40	532124965		SUB= 4470J
41	532154777		SUB= 165692
42	819131312		WASHER
47	532127783		SUB= 139245
48	532154604		SUB= 154604
49	532123205		SUB= 123205X
50	874760624		BOLT HEX HD 3/8-16 X 1-1/2
51	873680600		NUT, CROWNLOCK 3/8-16
52	873680500		LOCKNUT, CROWN 5/16-18
53	532105710		SUB= 105710X
55	532105709		SUB= 105709X
56	874760620		BOLT, HEX 3/8-16 X 1-1/4
57	532156971		SUB= 156971
59	532140312		SUB= 140312
61	817490612		SCREW THDROL 3/8-16X3/4 TY-TT
62	532124872		SUB= 8883R
63	532140186		SUB= 140186
64	871170764		BOLT HEX
65	810040700		WASHER LOCK HVY HLCL SPR 7/16
66	532154778		SUB= 154778
69	532142432		SUB= 142432
70	532134683		SUB= 134683
72	819132012		WASHER 13/32 X 1-1/4 X 12 GA
74	532156972		SUB= 156972
75	532121749		SUB= 121749X
76	812000001		E-RING #5133-75
77	532123583		SUB= 123583X
78	532121748		SUB= 121748X
81	532158461		SHAFT ASM CROSS HYDRO 18 " TIRES
82	532123782		SUB= 123782X
83	819171216		WASHER 17/32 X 3/4 X 16 GA
84	532158286		"ROD TIE 18"

Ref #	Part Number	Qty	Description
86	532071208		SUB= 71208
87	819212016		WASHER 21/32 X 1-1/4 X 16 GA
88	812000008		RING CLIP #5304-62
89	532151147		SUB= 153764
95	532156970		SUB= 156970
96	532124788		SUB= 4497H
100	819111216		WASHER 11/32 X 3/4 X 16 GA
113	532127285		SUB= 127285X
116	872110610		BOLT RDHD SQ NECK 3/8-16 X 1.25
118	532154774		SUB= 154774
121	532154419		SUB= 154419
122	532156963		SUB= 156963
123	819081016		WASHER 8/32 X 5/8 X 16 GA
124	532156967		SUB= 156967
125	874780516		BOLT FIN HEX 5/16-18 X 1
126	532001685		SUB= 68478



# TRACTOR - MODEL NO. LTH145 (JC145H42A)

## ELECTRICAL

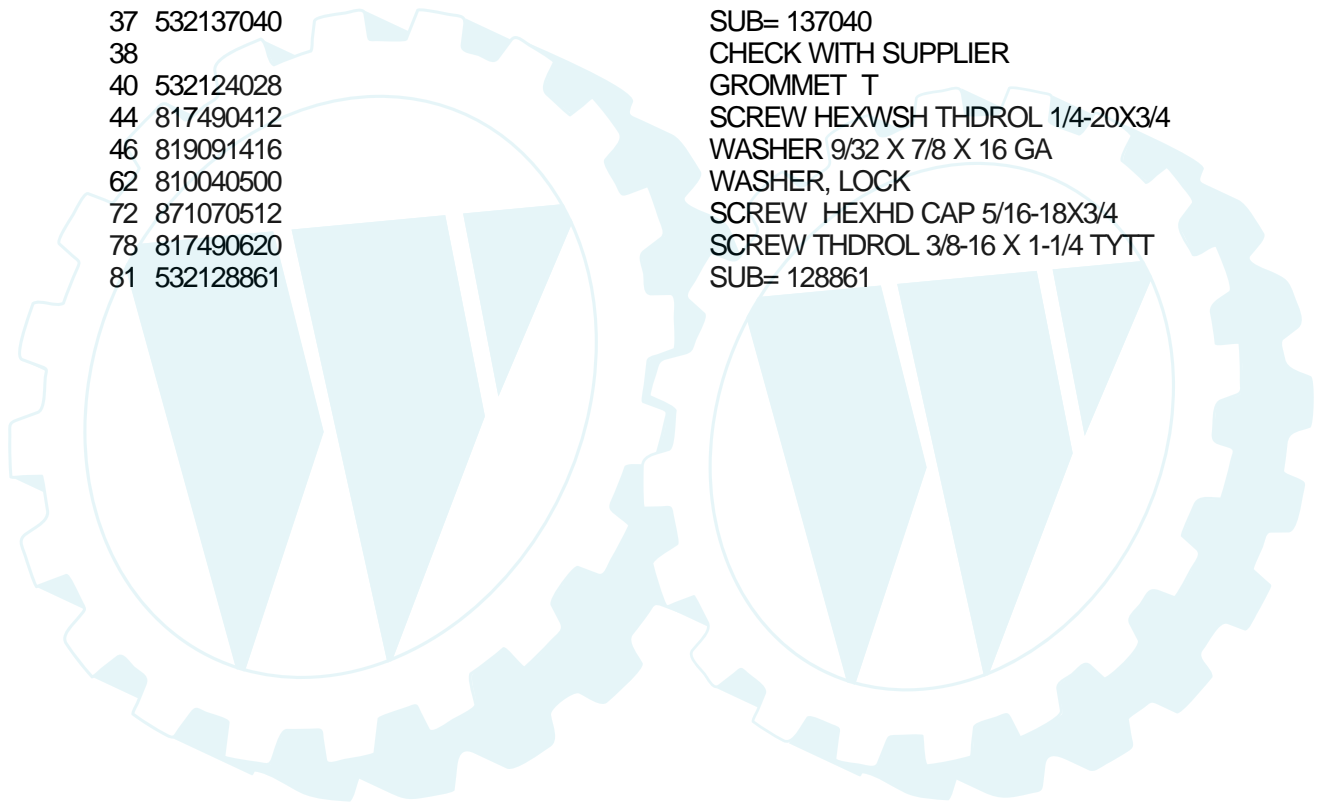




Ref #	Part Number	Qty	Description
1	532144925		SUB= 123899X
2	874760412		BOLT HEX HD 1/4-20 X 3/4
3	819091016		WASHER 9/32 X 5/8 X 16 GA.
4	810040400		WASHER, LOCK 1/4
6	873220400		NUT, HEX 1/4-20
7	532109238		SUB= 109238X
8	532156417		SUB= 156417
9	532109596		SUB= 109596X
16	532153664		SUB= 153664
19	810090400		WASHER LOCK 1/4
20	873350400		NUT JAM HEX 1/4-20 UNC
21	532136850		SUB= 136850
22	532004152		SUB= 4152J
24	532124780		SUB= 4799J
25	532146147		SUB= 146147
26	532108824		SUB= 108824X
28	532124773		SUB= 4207J
29	532121305		SUB= 121305X
30	532140301		SUB= 140301
31	532124211		SUB= 124211X
32	532141226		SUB= 141226
33	532122147		SUB= 122147X
40	532156442		SUB= 156442
41	8711110408		BOLT BLK FIN HEX 1/4-20 X 1/2
42	532131563		SUB= 154336
43	532145673		SUB= 146154
44	873640400		NUT KEPS HEX 1/4-20 UNC
48	532140844		SUB= 140844
52	532141940		SUB= 141940
70	532140422		SUB= 140422



Ref #	Part Number	Qty	Description
1	532140310		SUB= 140310
2	817720410		SCREW HEX THD CUT 1/4-20X5/8 T
3	287707		ENGINE B&S
4	532137352		SUB= 137352
13	532272293		SUB= 272293
14	813280324		NIPPLE PIPE 3/8 NPT X 3"
15	813200300		ELBOW STD 90 DEGREE 3/8-18 NPT
16	811050600		WASHER LOCK
23	532156123		SUB= 156123
29	532137180		KIT.ARREST.SPARK (392-390)
31	532109202		SUB= 109202X
32	532140527		SUB= 140527
33	532123487		SUB= 123487X
35	817490512		SCREW THDROL 5/16-18 X 3/4 TYT
37	532137040		SUB= 137040
38			CHECK WITH SUPPLIER
40	532124028		GROMMET T
44	817490412		SCREW HEXWSH THDROL 1/4-20X3/4
46	819091416		WASHER 9/32 X 7/8 X 16 GA
62	810040500		WASHER, LOCK
72	871070512		SCREW HEXHD CAP 5/16-18X3/4
78	817490620		SCREW THDROL 3/8-16 X 1-1/4 TYTT
81	532128861		SUB= 128861

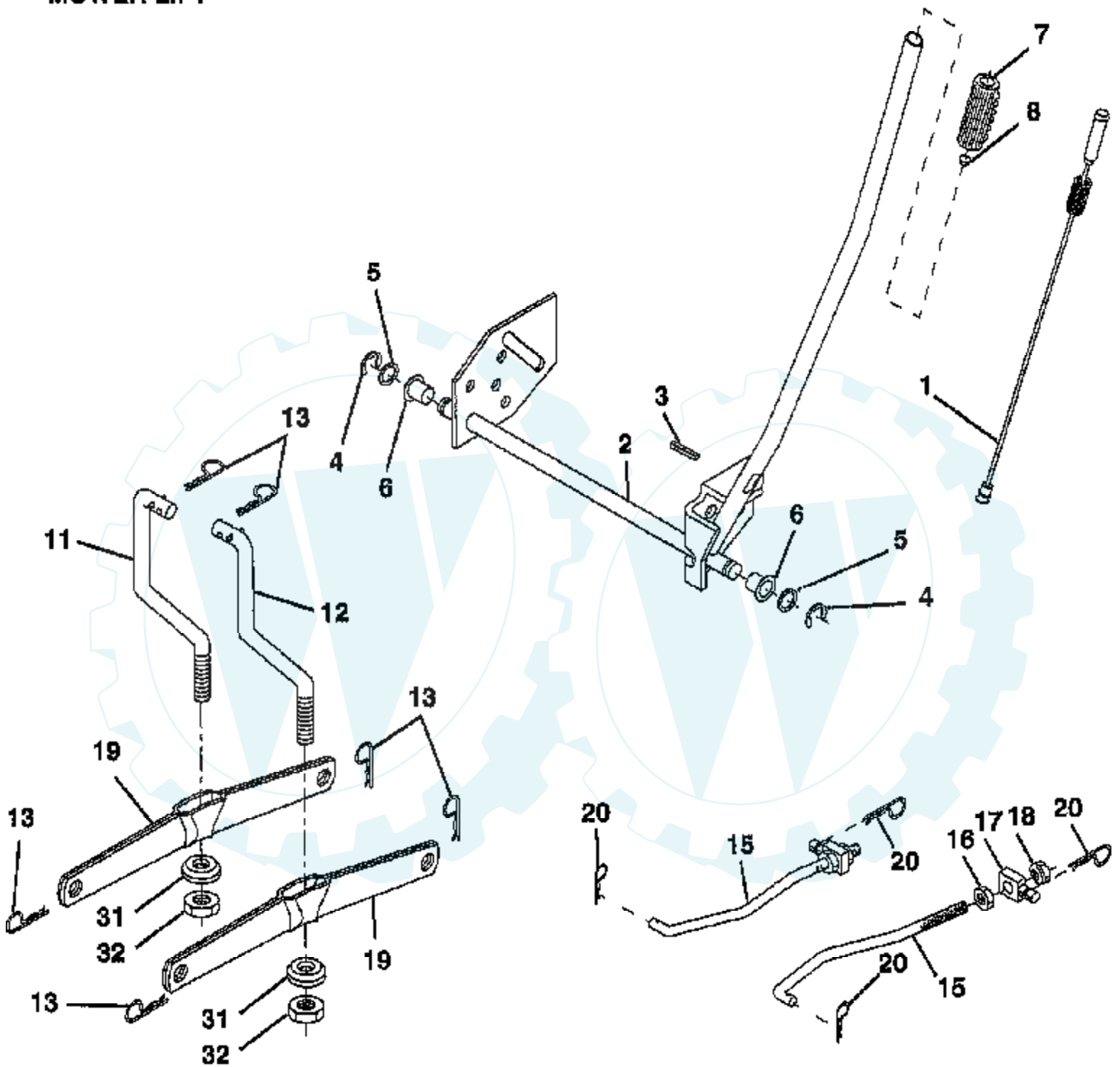




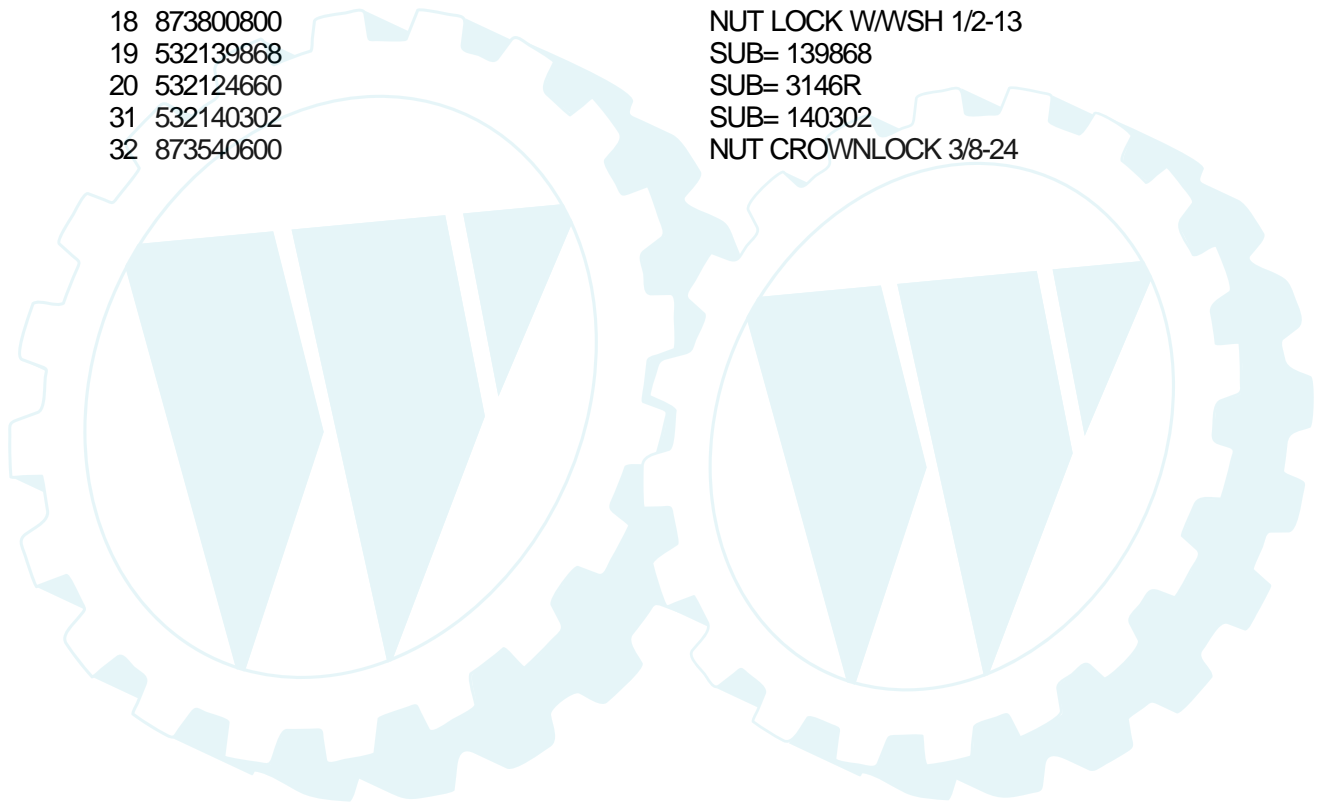
Ref #	Part Number	Qty	Description
1	532144393		SUB= 144393
2	872140506		BOLT, CARRIAGE
3	532138017		SUB= 138017
4	532138440		SUB= 138440
5	532124670		SUB= 85902
6	532130832		SUB= 130833
8	532850857		SUB= 850857
9	810030600		WASHER LOCK HVY 3/8
10	532140296		SUB= 140296
11	532138498		SUB= 138498
12	532129895		SUB= 129895
13	532137645		SUB= 137646
14	532128774		SUB= 128774
15	532110485		SUB= 110485X
16	532140329		SUB= 140329
17	872110618		BOLT RDHD SQNK 3/8-16 X 2-1/4
18	872140505		BOLT RDHD SQNK 5/16-18 X 5/8
19	532132827		SUB= 132827
20	532136888		SUB= 136888
21	873680500		LOCKNUT, CROWN 5/16-18
22	532134753		SUB= 134753
23	532131267		SUB= 131267
24	532105304		SUB= 105304X
25	532123713		SUB= 123713X
26	532110452		SUB= 110452X
27	532130968		SUB= 130968
28	819111016		WASHER 11/32 X 5/8 X 16 GA
29	532131491		SUB= 131491
30	532138776		SUB= 157722
31	532129963		SUB= 129963
32	532153535		SUB= 153535
33	532137266		SUB= 139729
34	872110622		BOLT RDHD 3/8-16 X 2-3/4 GR 5
35	532133835		SUB= 133835
36	532131494		SUB= 131494
37	819131316		WASHER 13/32 X 13/16 X 16 GA
38	532132823		IDLER SPRG SPACER
40	873680600		NUT, CROWNLOCK 3/8-16
44	532140088		SUB= 140088
46	532137729		SUB= 137729
54	532133943		SUB= 133943
55	532140084		SUB= 151785
59	532141043		SUB= 141043
61	532131950		SUB= 131950
68	532144959		SUB= 144959
83	532120958		SUB= 120958X
84	532156084		SUB= 156084
85	872140618		BOLT RDHD SQ 3/8-16 X 2-1/4
92	873800600		LOCKNUT
128	532153390		SUB= 153390
132	819132203		WASHER 13/32 X 1-3/8 X GA
	532159469		SUB= 144783
	532130794		SUB= 130794

# TRACTOR - MODEL NO. LTH145 (JC145H42A)

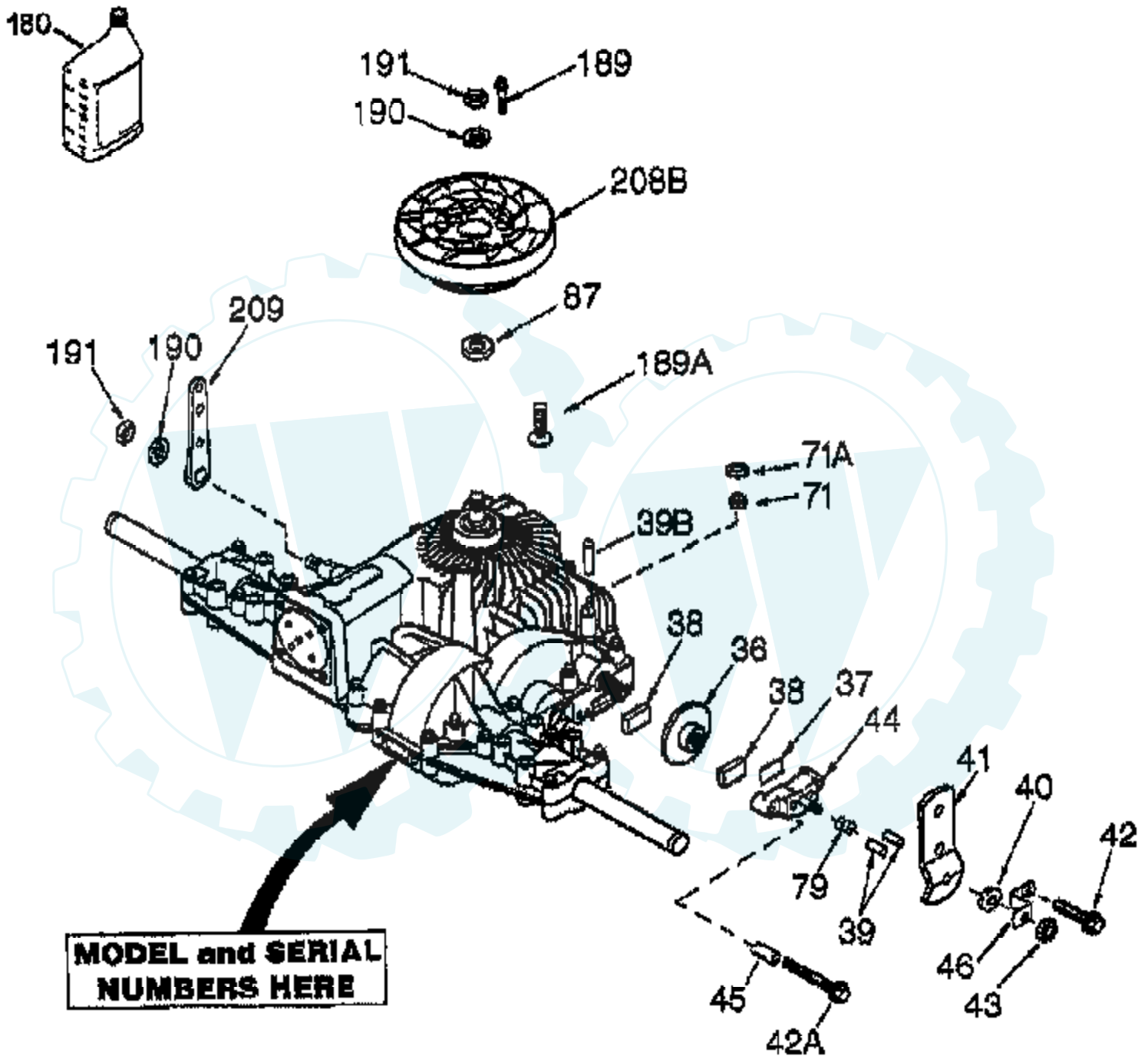
## MOWER LIFT



Ref #	Part Number	Qty	Description
1	532159460		SUB= 159460
2	532159471		SUB= 159471
3	532105767		SUB= 105767X
4	812000002		E RING #5133-62
5	819211621		WASHER PLTD 21/32 X 1 X 21 GA
6	532120183		SUB= 120183X
7	532109413		SUB= 109413X
8	532124526		SUB= 125925X
11	532139865		SUB= 145537
12	532139866		SUB= 151140
13	532124670		SUB= 85902
15	532127218		SUB= 127218
16	873350800		NUT JAM HEX 1/2-13
17	532130171		SUB= 130171
18	873800800		NUT LOCK W/WSH 1/2-13
19	532139868		SUB= 139868
20	532124660		SUB= 3146R
31	532140302		SUB= 140302
32	873540600		NUT CROWNLOCK 3/8-24

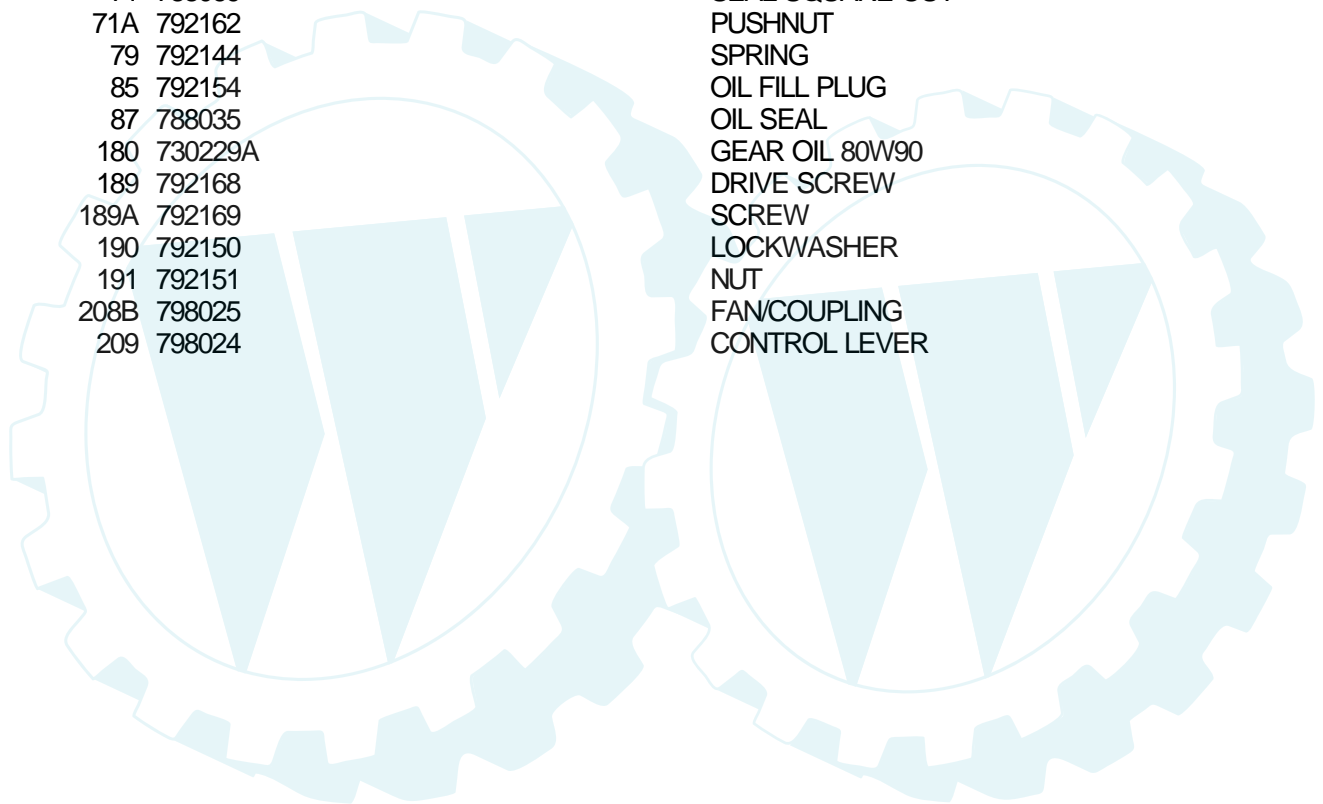


# TRACTOR - MODEL NO. LTH145 (JC145H42A) PEERLESS TRANSAXLE - MODEL NUMBER 205-027B



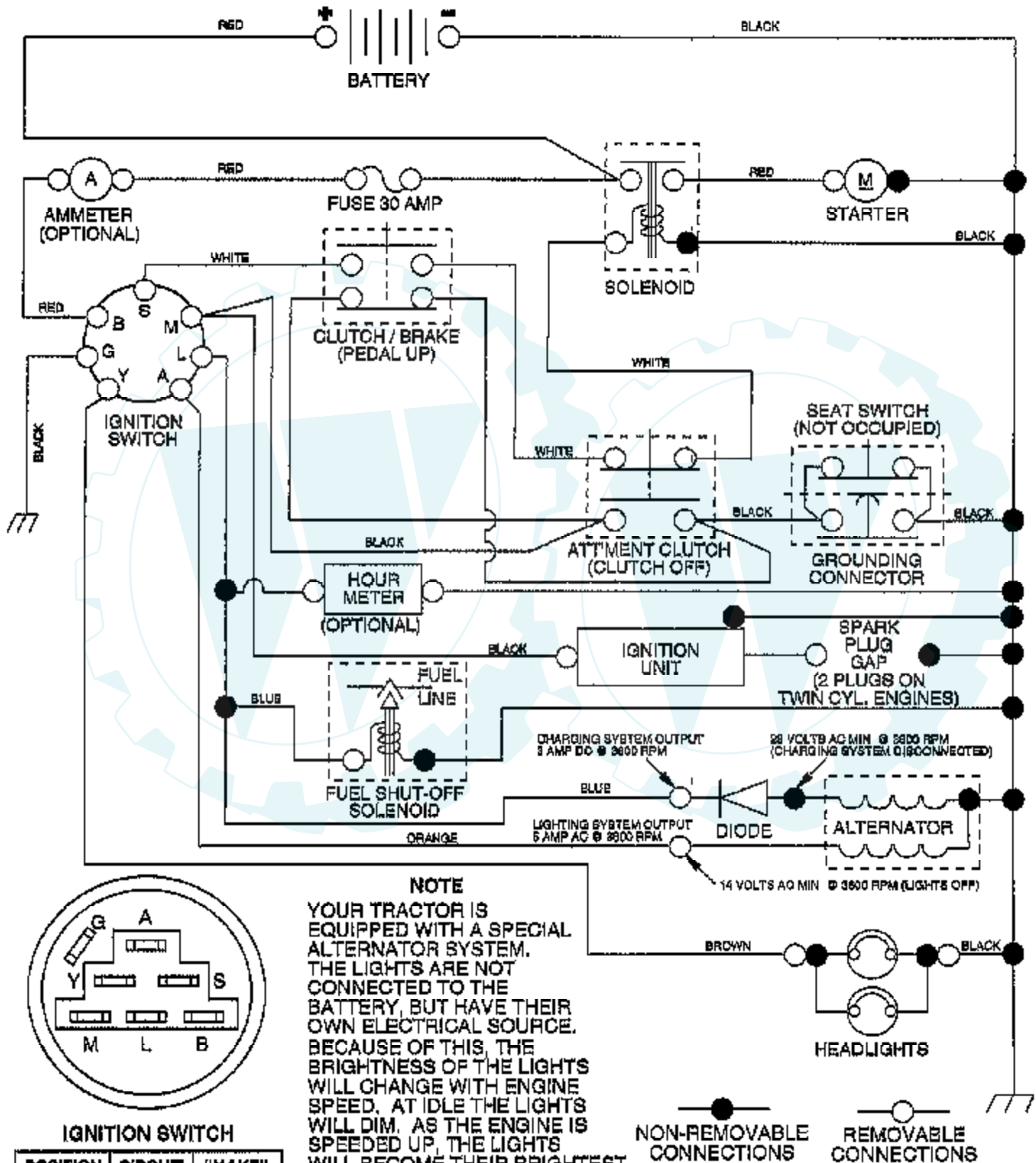


Ref #	Part Number	Qty	Description
36	790075		BRAKE DISC
37	790007		PLATE BRAKE PAD
38	799021		BRAKE PAD
39	786026		PIN DOWEL
39B	798033		BELT GUARD
40	792076A		WASHER
41B	790085		BRAKE LEVER
42	792073		SCREW, 1/4-20 X 1-1/4
42A	792085A		SCREW, 1/4-20 X 2-1/4
43	792075		LOCKNUT 5/16-24
44	790025		HOLDER BRAKE PAD
45	786066		SPACER
46	790086		BRAKE LEVER BRACKET
71	788069		SEAL SQUARE CUT
71A	792162		PUSHNUT
79	792144		SPRING
85	792154		OIL FILL PLUG
87	788035		OIL SEAL
180	730229A		GEAR OIL 80W90
189	792168		DRIVE SCREW
189A	792169		SCREW
190	792150		LOCKWASHER
191	792151		NUT
208B	798025		FAN/COUPLING
209	798024		CONTROL LEVER



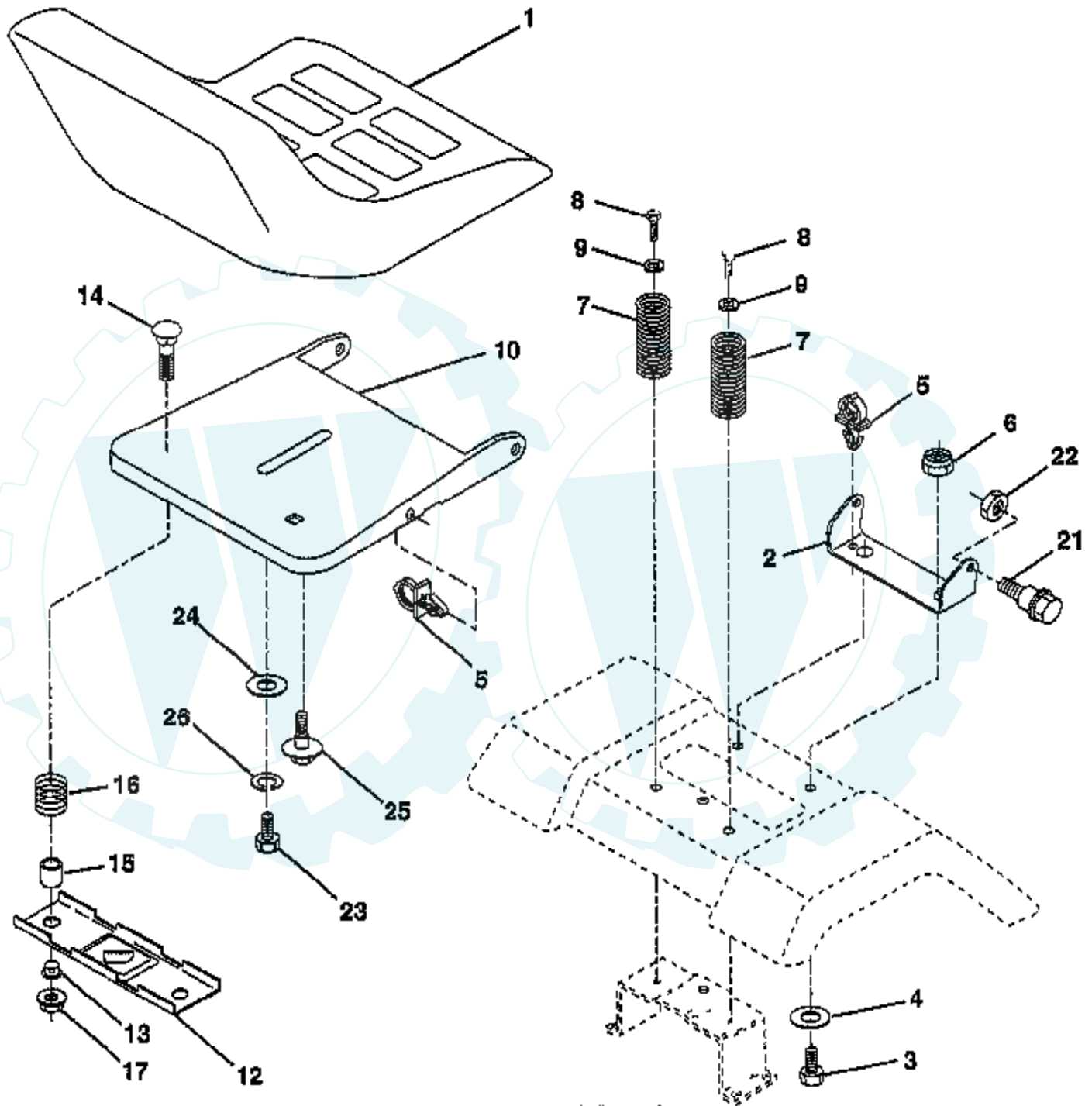
## TRACTOR - MODEL NO. LTH145 (JC145H42A)

### SCHEMATIC



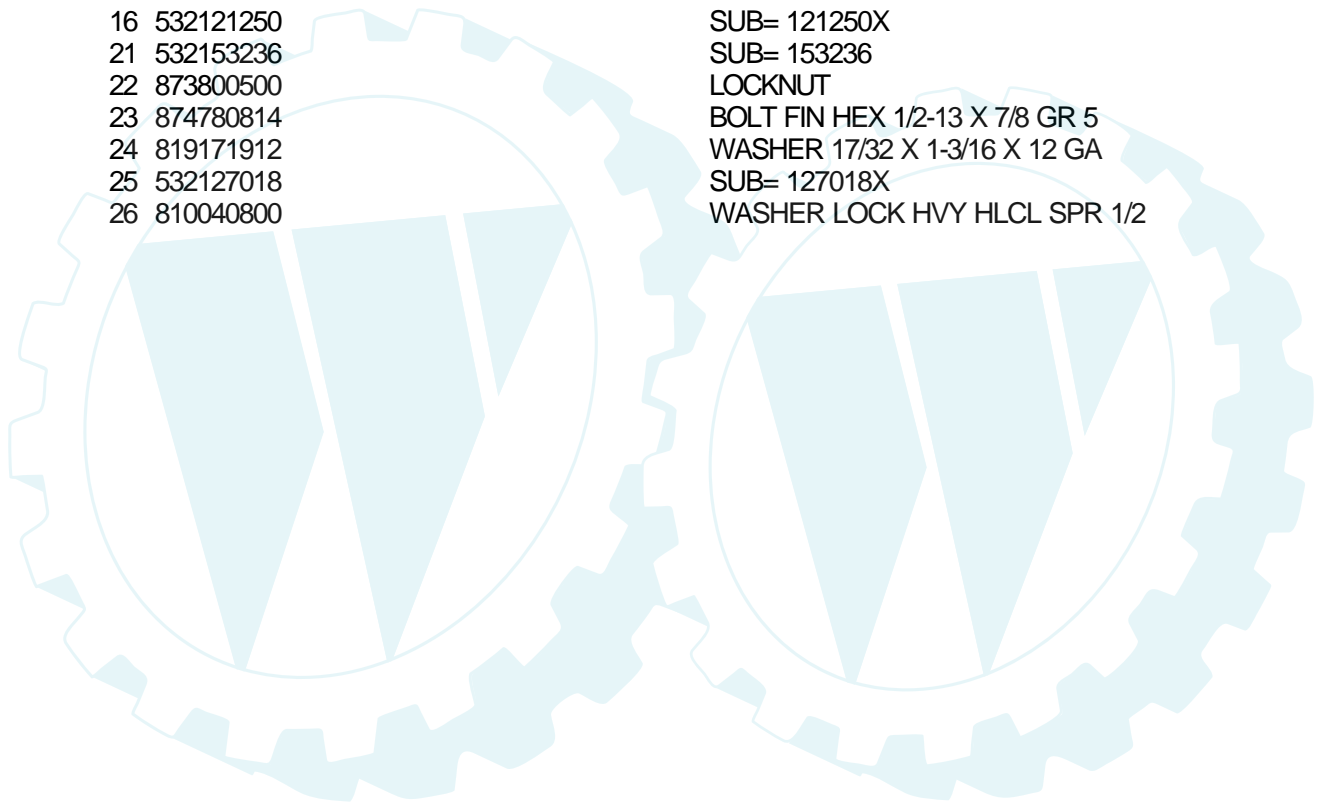
# TRACTOR - - MODEL NUMBER LTH145 (JC145H42A)

## SEAT ASSEMBLY



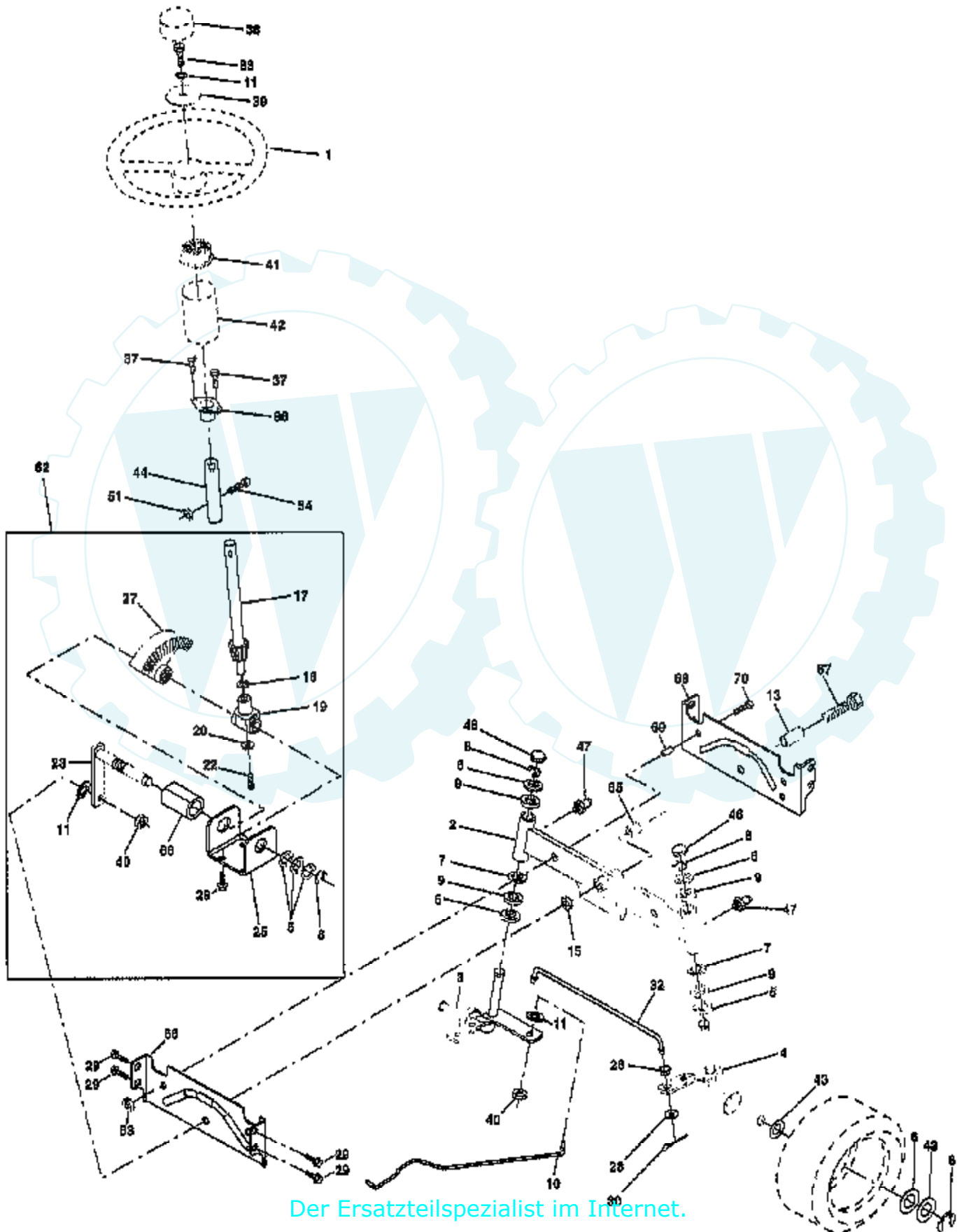
**NOTE:** All component dimensions given in U.S. inches.  
1 inch = 25.4 mm

Ref #	Part Number	Qty	Description
1	532127428		SUB= 140119
2	532140551		SUB= 140551
3	874760616		BOLT FIN HEX 3/8-16 X 1
4	819131610		WASHER 13/32 X 1 X 10 GA
5	532145006		SUB= 145006
6	873800600		LOCKNUT
7	532124181		SUB= 124181X
8	817490616		SCREW THDROL 3/8-16 X 1 TY-TT
9	819131614		WASHER 13/32 X 1 X 14 GA
10	532155925		SUB= 155925
12	532121246		SUB= 121246X
13	532121248		SUB= 121248X
14	872050411		BOLT RDHD SQNK 1/4-20X 1-3/8
15	532134300		SUB= 134300
16	532121250		SUB= 121250X
21	532153236		SUB= 153236
22	873800500		LOCKNUT
23	874780814		BOLT FIN HEX 1/2-13 X 7/8 GR 5
24	819171912		WASHER 17/32 X 1-3/16 X 12 GA
25	532127018		SUB= 127018X
26	810040800		WASHER LOCK HVY HLCL SPR 1/2



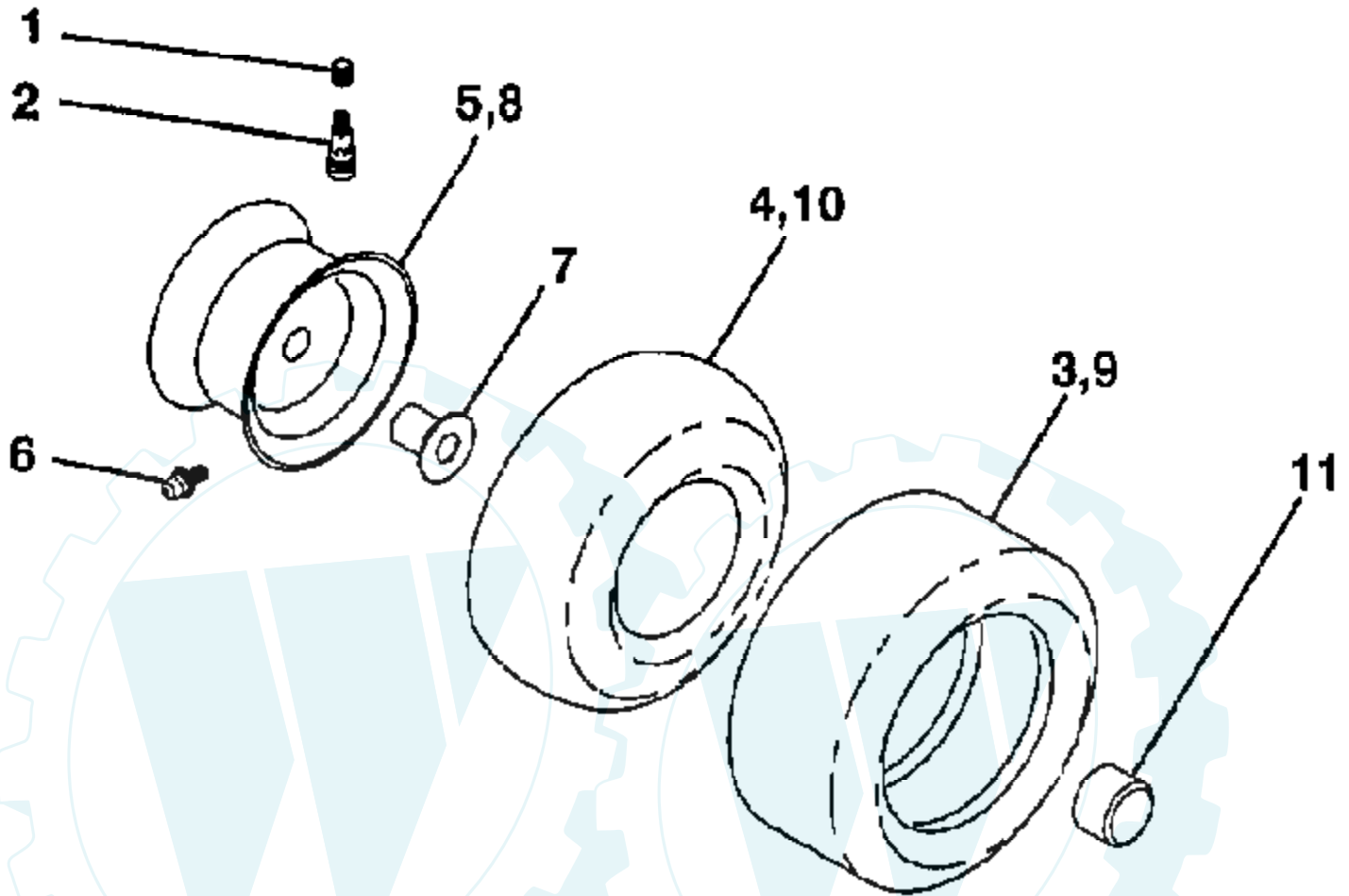
# TRACTOR -- MODEL NUMBER LTH145 (JC145H42A)

## STEERING ASSEMBLY



Ref #	Part Number	Qty	Description
1	532140044		SUB= 140044
2	532154427		SUB= 154427
3	532156483		SUB= 156483
4	532157473		SUB= 157473
5	532124931		SUB= 6266H
6	532121748		SUB= 121748X
7	819272016		WASHER 27/32 X 1-1/4 X 16 GA
8	812000029		RING KLIP #T5304-75
9	532124937		SUB= 3366R
10	532156438		SUB= 156438
11	810040600		WASHER LOCK HVY HLCL SPR 3/8
13	532154779		SUB= 154779
15	873901000		NUT LOCK FLANGE 5/8-11
17	532156546		SUB= 156546
18	532057079		SUB= 57079
19	532124035		SUB= 124035X
20	532126684		WASHER T
22	871200410		SCREW HEX SOCKET 1/4-20 X 5/8
23	532127501		SUB= 156365
25	532154406		SUB= 154406
26	532126847		SUB= 126847X
27	532136874		SUB= 136874
28	819131416		WASHER
29	817490612		SCREW THDROL 3/8-16X3/4 TY-TT
30	875020412		PIN COTTER 1/8 X 3/4 CAD
32	532130465		SUB= 130465
36	532155099		SUB= 155099
37	532152927		SUB= 152927
38	532140045		SUB= 140045
39	819133808		WASHER 13/32 X 2-3/8 X 8 GA
40	532124701		SUB= 7810H
41	532100711		SUB= 100711L
42	532145054		SUB= 145054
43	532121749		SUB= 121749X
44	532153720		SUB= 153720
46	532121232		SUB= 121232X
47	532124836		SUB= 6855M
51	873800500		LOCKNUT
53	873680600		NUT, CROWNLOCK 3/8-16
54	874780520		BOLT FIN HEX 5/16-18 UNC X 1-1/4
62	532156594		SUB= 156594
63	874780616		BOLT FIN HEX 3/8-16 X 1
65	532154780		SUB= 154780
66	532154404		SUB= 154404
67	874781044		BOLT FIN HEX 5/8-11 X 2-3/4
68	532154429		SUB= 154429
69	532160367		SUB= 160367
70	874780636		BOLT FIN HEX 3/8-16 X 2-1/4

# WHEELS AND TIRES



**NOTE:** All component dimensions given in U.S. inches  
1 inch = 25.4 mm

Ref #	Part Number	Qty	Description
1	532059192		SUB= 59192
2	532065139		SUB= 65139
3	532106222		SUB= 122073X
4	532059904		SUB= 59904
5	532138336		SUB= 106732X417
6	532124957		SUB= 278H
7	532124959		SUB= 9040H
8	532138337		SUB= 106108X417
9	532106268		SUB= 122074X
10	532124926		SUB= 7152J
11	532104757		SUB= 104757X
	532144334		SUB= 144334

