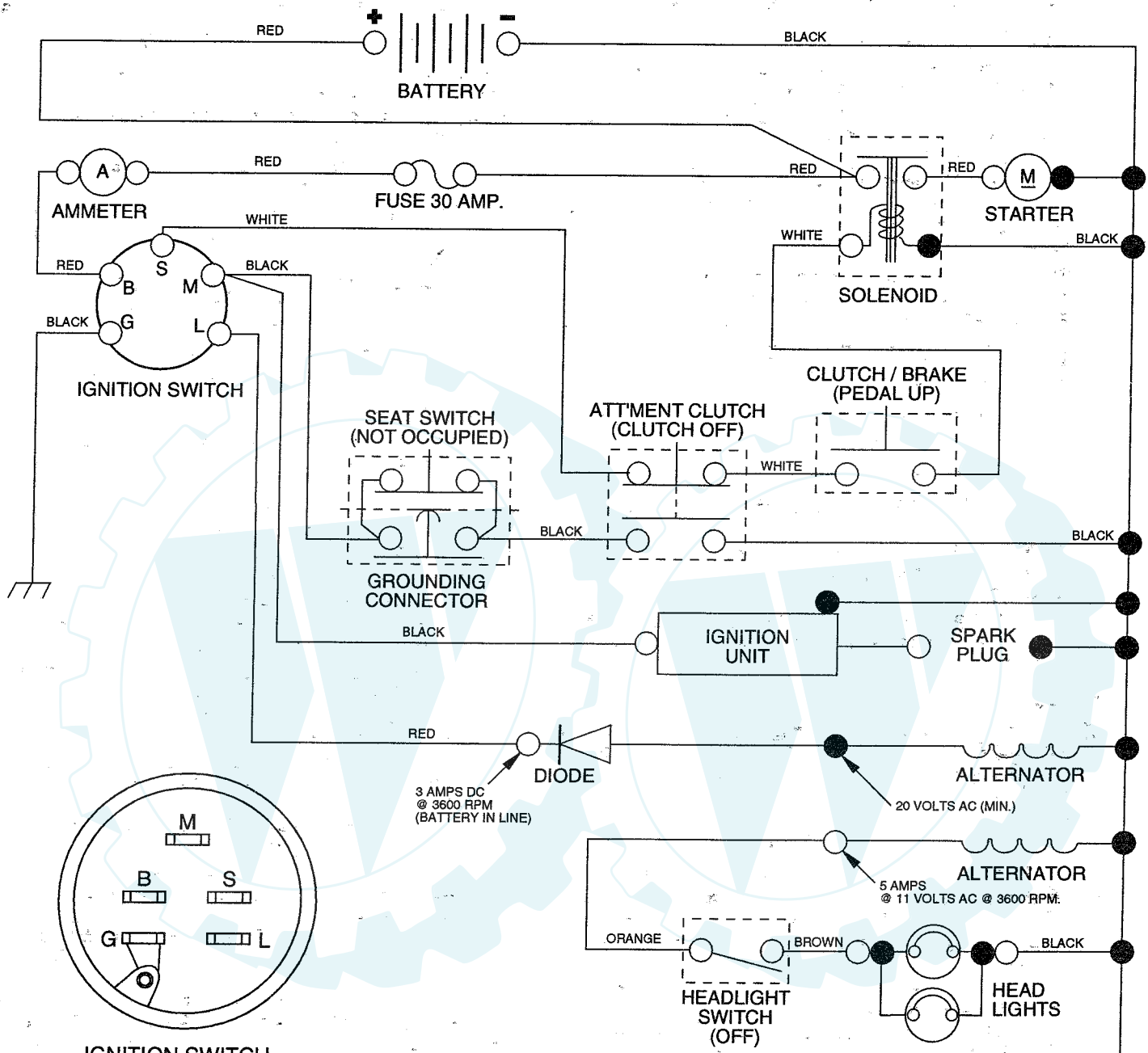


12.5 HP 42" TRACTOR—MODEL NO. LT125 (H12542A), PRODUCT NO. 954 00 05-42
 SCHEMATIC



IGNITION SWITCH

POSITION	CIRCUIT
OFF	M + G
ON	B + L
START	B + S

WIRING INSULATED CLIPS
 NOTE: IF WIRING INSULATED CLIPS WERE REMOVED FOR SERVICING OF UNIT, THEY SHOULD BE REPLACED TO PROPERLY SECURE YOUR WIRING

NOTE
 YOUR TRACTOR IS EQUIPPED WITH A SPECIAL ALTERNATOR SYSTEM. THE LIGHTS ARE NOT CONNECTED TO THE BATTERY, BUT HAVE THEIR OWN ELECTRICAL SOURCE. BECAUSE OF THIS, THE BRIGHTNESS OF THE LIGHTS WILL CHANGE WITH ENGINE SPEED. AT IDLE THE LIGHTS WILL DIM. AS THE ENGINE IS SPEEDED UP, THE LIGHTS WILL BECOME THEIR BRIGHTEST.

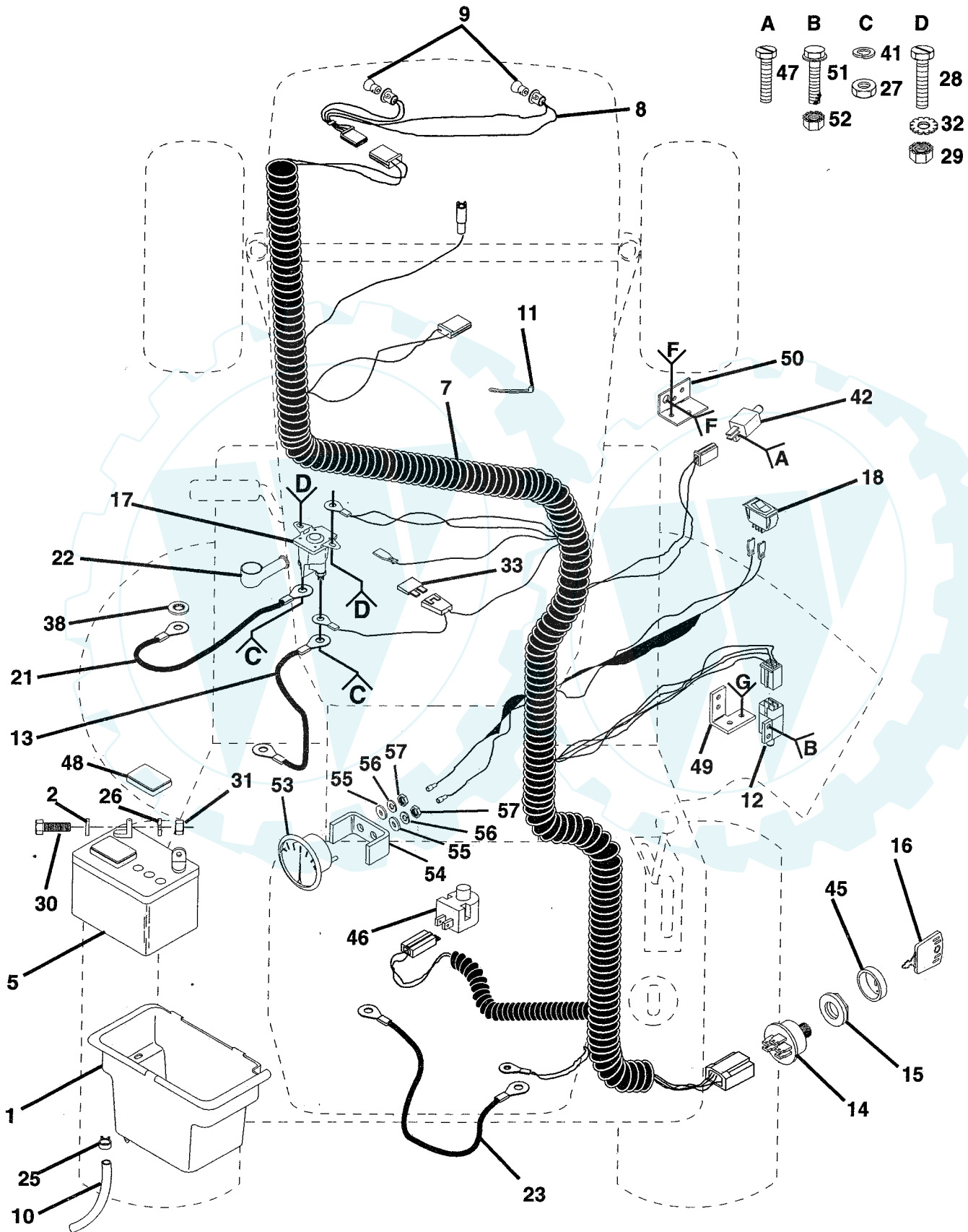
● NON-REMOVABLE CONNECTIONS ○ REMOVABLE CONNECTIONS

REPAIR PARTS

www.ersatzteil-service.de

12.5 HP 42" TRACTOR-MODEL NO. LT125 (H12542A), PRODUCT NO. 954 00 05-42

ELECTRICAL



REPAIR PARTS

www.ersatzteil-service.de

12.5 HP 42" TRACTOR-MODEL NO. LT125 (H12542A), PRODUCT NO. 954 00 05-42

ELECTRICAL

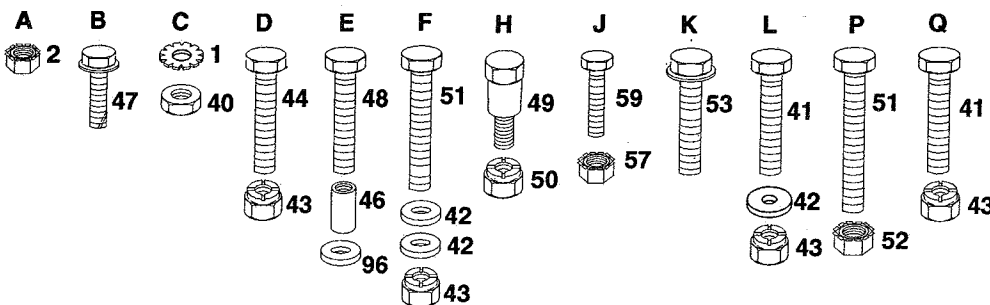
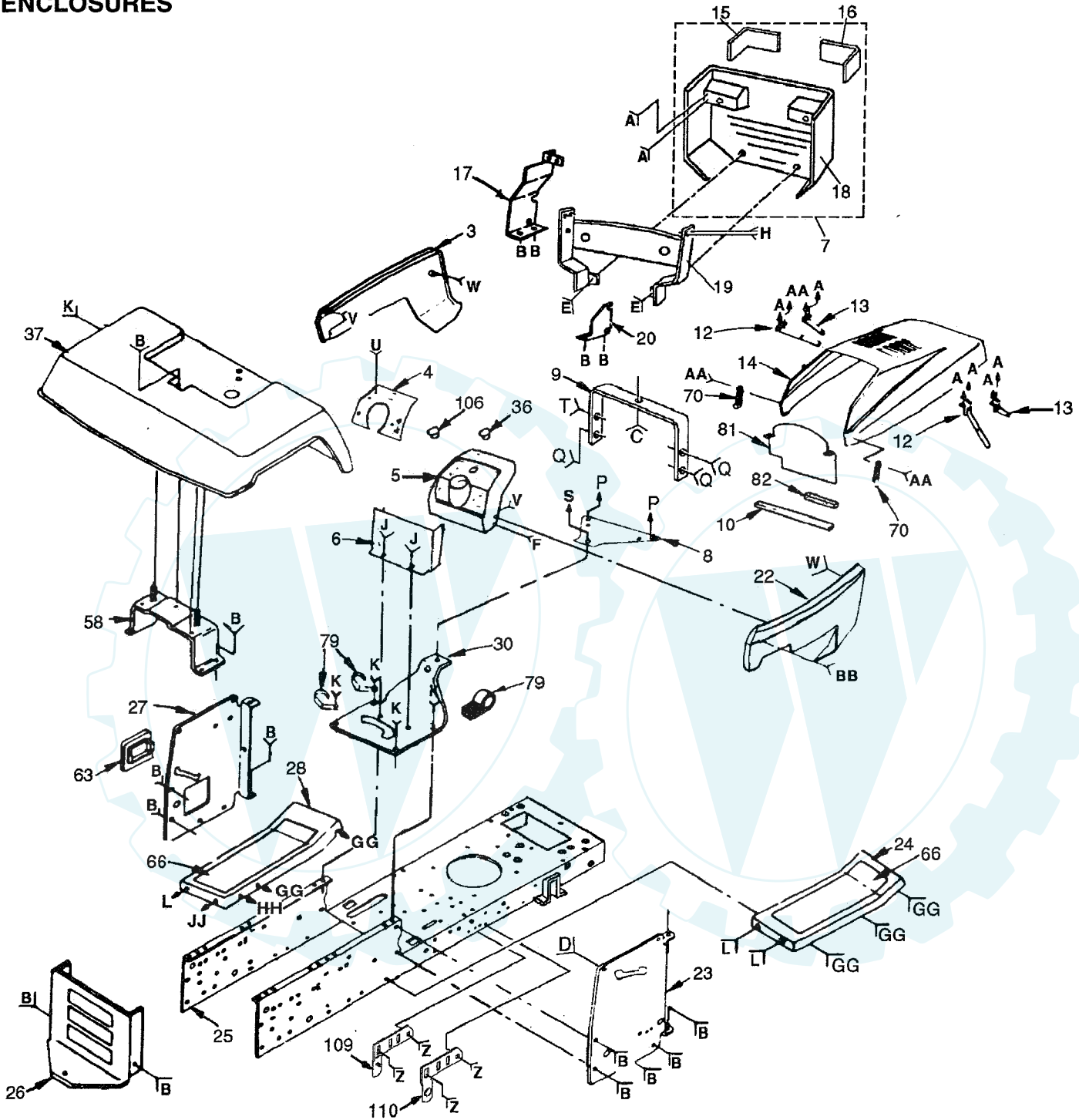
KEY NO.	PART NO.	DESCRIPTION	KEY NO.	PART NO.	DESCRIPTION
1	532133753	Case Battery W/o Lid	29	873510400	Nut Keps Hex 1/4-20 Unc
2	819091016	Washer 9/32 X 5/8 X 16 Ga	30	874760412	Bolt Hex Hd 1/4-20unc X 3/4
5	532121265	Battery 12 VOLT 25 AMP	31	873220400	Nut Fin Hex 1/4-20 Unc
7	532135603	Harness Ign B&S Fend HI Amm	32	811050400	Washer Lock Ext Tooth 1/4
8	532136850	Harness Asm Light W/4152j	33	532108824	Fuse 30 AMP Auto Green
9	532004152	Bulb Light #1156	38	811150400	Washer Lock Internal Tooth 1/4
10	532109238	Tube Plastic 12"	41	810090400	Washer Lock 1/4
11	532124756	Tie Cable	42	532104445	Switch Intlk Clutch Red 2 Term
12	532109553	Switch Intlk Clutch Red 4 Term	45	532123620	Cover Sw Key Blk 1 25 Text SLT
13	532124964	Cable Battery 6 Ga 39"red	46	532121305	Switch Plunger Nc Gray
14	532125104	Switch Ign 5 Term Wo/wash/nut	47	817021008	Screw Tap Hex #10-24unc X 1/2
15	532124211	Nut Ignition	48	532121264	Caps Battery 20/25/30 AMP
16	532122147	Key Ign Molded Generic	49	532108236	Bracket Switch Clutch
17	532109081	Solenoid	50	532130890	Bracket Switch Interlock
18	532110712	Switch Light Blk Blk Red	51	871031008	Screw Hex Washer Hd 10-32 X 1/2
21	532108423	Cable Battery 6 Ga 16"red	52	873951000	Nut Keps #10-32 Unf
22	532131563	Cover Terminal Red	53	532124900	Ammeter Round 15 AMP
23	532124773	Cable Ground 6 Ga 12"black	54	532131708	Bracket Ammeter 2 242 X 1 180
25	532109596	CLAMP Hose Olive	55	819070818	Washer 7/32 X 1/2 X 18 Ga
26	810040400	Washer Lock Hvy Helical 1/4	56	810101000	Washer Lock
27	873350400	Nut Jam Hex 1/4-20 Unc	57	873911000	Nut
28	874780408	Bolt Fin Hex 1/4-20uncx1/2 Gr5			

NOTE: All component dimensions given in U.S. inches.
1 inch = 25.4 mm

REPAIR PARTS

www.ersatzteil-service.de

12.5 HP 42" TRACTOR-MODEL NO. LT125 (H12542A), PRODUCT NO. 954 00 05-42
ENCLOSURES

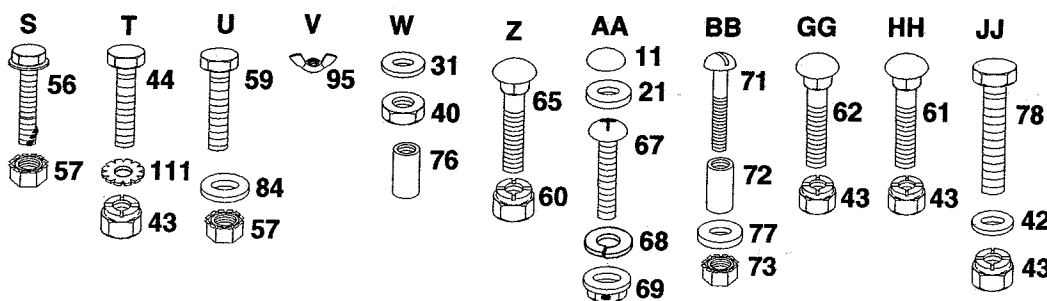


REPAIR PARTS

12.5 HP 42" TRACTOR-MODEL NO. LT125 (H12542A), PRODUCT NO. 954 00 05-42 ENCLOSURES

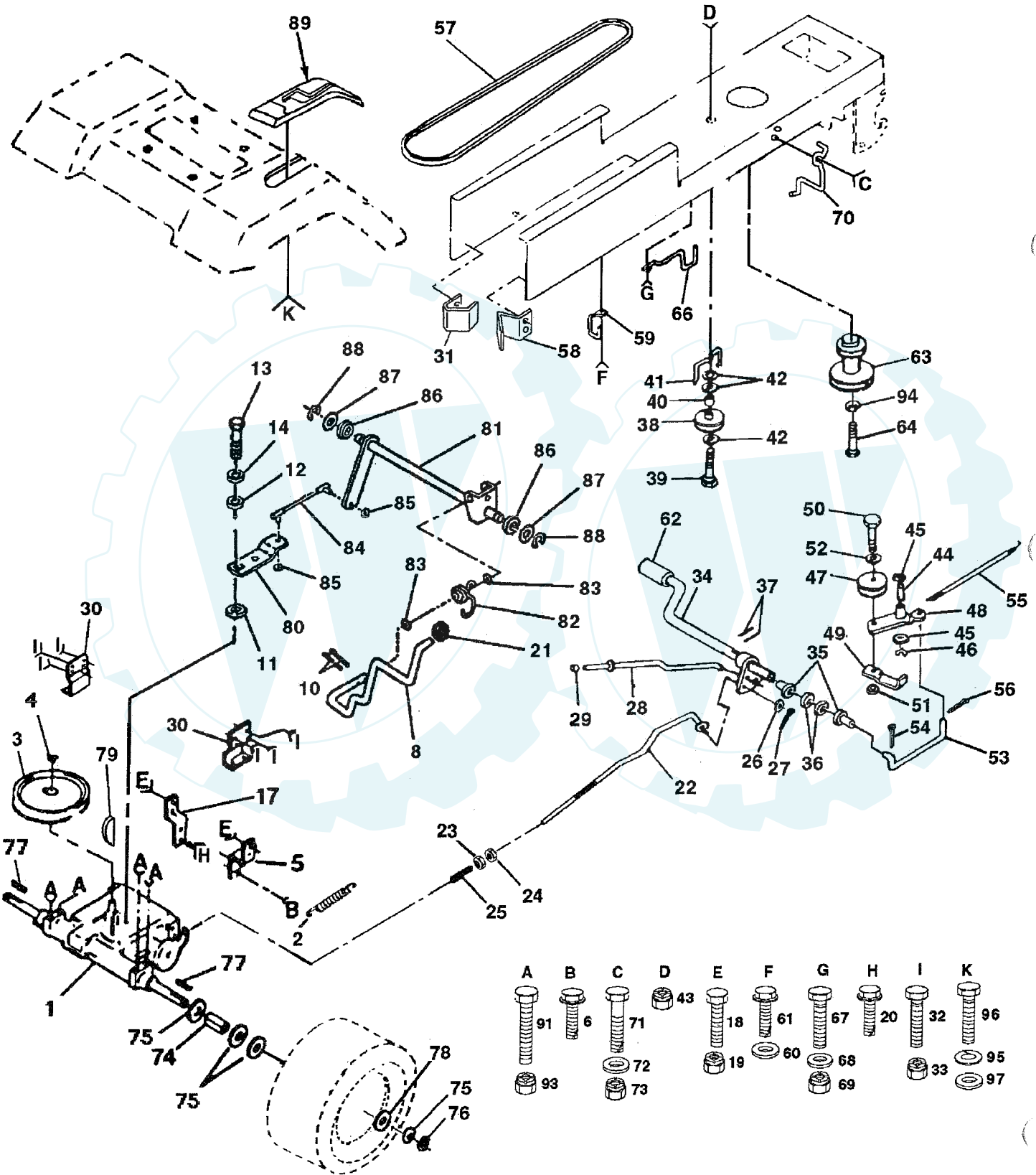
KEY NO.	PART NO.	DESCRIPTION	KEY NO.	PART NO.	DESCRIPTION
1	811050400	Washer Lock Ext Tooth 1/4	47	817490612	Screw Thdrol 3/8-16x3/4 Ty-tt
2	873510400	Nut Keps Hex 1/4-20 Unc	48	874760440	Bolt Hex Fin 1/4-20 Unc 2-1/2
3	532125393	Panel Side LH LT Husq Grey	49	532123481	Bolt Shoulder 1/4-20 Unc
4	532125455	Plate Silscr D M Yp Wa Ni Nc G	50	873680400	Nut Crownlock 1/4-20 Unc
5	532124182	Dash Yp Gray Hole "a" 88	51	874760620	Bolt Fin Hex 3/8-16unc X 1-1/4
6	532104783	Dash Lower	52	873510600	Nut Keps Hex 3/8-16unc
7	532127321	Grille Asm Husqvarna LT Gray	53	817490608	Screw Thdrol 3/8-16x1/2 Ty-tt
8	532137654	Plate Sprt Brty LT Wide(str Hy	56	874780512	Bolt Fin Hex 5/16-18unc X 3/4
9	532124130	Support Dash	57	873510500	Nut Keps 5/16-18 Unc
10	532104915	Strip Foam	58	532136619	Bracket Fender Repl 109873x
11	532110356	Cap Snap Black	59	874180512	Screw Mach TRHD 5/16-18uncx3/4
12	532106784	Strap Asm Hinge Rear	60	873800600	Nut Lock Hex W/wsh 3/8-16unc
13	532104618	Strap Asm Hinge Front	61	872140608	Bolt Rdhd Sqnk 3/8-16unc X 1
14	532125454	Hood Husqvarna LT/YT/GT Ms422	62	872110606	Bolt Rdhd Sht Sqnk 3/8-16 X3/4
15	532124250	Lens Headlight LH Smoked	63	532121794	Cover Access Black Square
16	532124251	Lens Headlight RH Smoked	65	872140606	Bolt Rdhd Sqnk 3/8-16unc X3/4
17	532121610	Bracket Asm Frame Pivot LH	66	532108256	Pad Footrest Rbr Sq Generic
18	532127324	Grille LT	67	874191008	Screw Mach Cr Pan #10-24 X 1/2
19	532126025	Support Asm Grille	68	810071000	Washer Lock #10
20	532110852	Bracket Asm Frame Pivot Hinge	69	532125004	Nut Weld
21	532110357	Cap Washer Snap Nat	70	532109808	Latch Chute Blk
22	137946X418	Panel Side RH LT Husq Ms-418	71	874981020	Screw Mach Cr Pan 10-24 X1-1/4
23	532132069	Panel Dash RH	72	532007206	Spacer Split #10 X 3/4 Cad/zin
24	532124914	Footrest Pnt RH (Husq Gray)	73	873731000	Nut Keps #10-24 Unc
25	532135034	Chassis Wldmt 12 Ga 38/42 W/pvt	76	532001260	Spacer 17/64 X 1/2 X 3/8
26	532137275	Drawbar Stretch	77	819070818	Washer 7/32 X 1/2 X 18 Ga
27	532137027	Panel Dash Lh Inf Hgt	78	874760614	Bolt Fin Hex 3/8-16unc X 7/8
28	532124899	Footrest Pnt LH (Husq Gray)	79	532124996	Clip Line Fuel 13/32 Mtg Hole
30	532125453	Saddle Silscr LT Goose/nk F/s	81	532126423	Baffle Vertical
31	819091216	Washer 9/32 X 3/4 X 16 Ga	82	532105037	Strip Foam 18"
36	532134014	Plug Dome Black	84	819111116	Washer 11/32 X 11/16 X 16 Ga
37	126599X422	Fender Pnt W/sht W/ign Ms-422	95	532123198	Nut Plastic Locking Wng 1/4-20
40	873220400	Nut Fin Hex 1/4-20 Unc	96	819071216	Washer 7/32 x 3/4 x 16 Ga
41	874760612	Bolt Fin Hex 3/8-16unc X 3/4	106	532005479	Plug Button Blk 359 Dia Choke
42	819131312	Washer 13/32 X 13/16 X 12 Ga	109	532134774	Bracket Asm Pvt42 LH MWR Rear
43	873680600	Nut Crownlock 3/8-16 Unc	110	532134775	Bracket Asm Pvt42 RH MWR Rear
44	874760616	Bolt Fin Hex 3/8-16unc X 1	111	811050600	Washer Lock Ext Tooth 3/8
46	532121235	Spacer Split 391x1 88 Blk/zin			

NOTE: All component dimensions given in U.S. inches.
1 inch = 25.4 mm



REPAIR PARTS

12.5 HP 42" TRACTOR-MODEL NO. LT125 (H12542A), PRODUCT NO. 954 00 05-42
DRIVE



REPAIR PARTS

**12.5 HP 42" TRACTOR-MODEL NO. LT125 (H12542A), PRODUCT NO. 954 00 05-42
DRIVE**

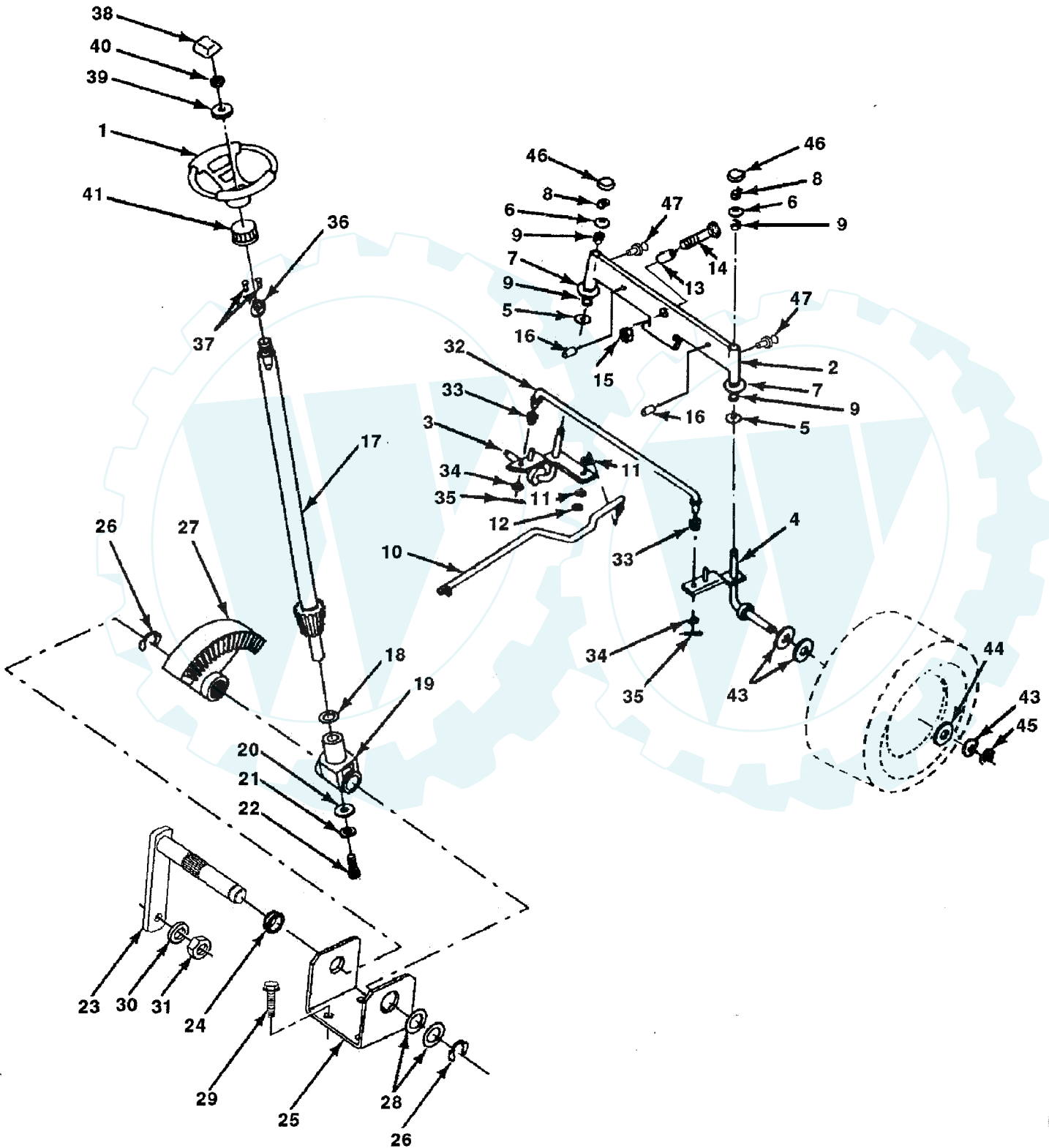
KEY NO.	PART NO.	DESCRIPTION	KEY NO.	PART NO.	DESCRIPTION
1	-----	Transaxle 6sp 930 Peerless LT Model # 930-010	52	819131316	Washer 13/32 X 13/16 X 16 Ga
2	532110422	Spring Return Brake T/a Zinc	53	532105710	Link Clutch 7 66
3	532123666	Pulley Transaxle 18"tires	54	876020412	Pin Cotter 1/8 X 3/4 Cad
4	812000028	Ring Retainer # 5100-62	55	532105709	Spring Return Clutch 6 75
5	532121520	Strap Torque 30 Degrees	56	876020412	Pin Cotter 1/8 X 3/4 Cad
6	817490512	Screw Thdrol 5/16-18 X 3/4 TYT	57	532130801	V-Belt Ground Drive 95 25 42"
8	532127270	Rod Shifter Blk Zinc 13 17 Lg	58	532127274	Keeper Belt RH LT Pnt/zinc 16g
10	876020416	Pin Cotter 1/8 X 1 Cad	59	532136715	Keeper Belt Chassis Span Ctr
11	532105701	Washer Plate Shf 388 Sq Hole	60	819131312	Washer 13/32 X 13/16 X 12 Ga
12	819091210	Washer 9/32 X 3/4 X 10 Ga	61	817490612	Screw Thdrol 3/8-16x3/4 Ty-tt
13	871040412	Bolt Fin Hex 1/4-28unfx3/4 Gr8	62	532123533	Cover Pedal Premuim
14	810040400	Washer Lock Hvy Helical 1/4	63	532134825	Engine Pulley LT/YT
17	532127285	Strap Torque LT	64	871170764	Bolt Hex 7/16-20x4 Gr 5
18	874760612	Bolt Fin Hex 3/8-16unc X 3/4	66	532129921	Keeper Belt Engine LH LT
19	873680600	Nut Crownlock 3/8-16 Unc	67	874760616	Bolt Fin Hex 3/8-16unc X 1
20	817490512	Screw Thdrol 5/16-18 X 3/4 TYT	68	819131312	Washer 13/32 X 13/16 X 12 Ga
21	532121274	Knob Duckhead 1/2-13unc Blk	69	873680600	Nut Crownlock 3/8-16 Unc
22	532130804	Rod Brake Blk Zinc 27 326	70	532134683	Guide Belt Mower Drive RH
23	873800600	Nut Lock Hex W/wsh 3/8-16unc	71	874760616	Bolt Fin Hex 3/8-16unc X 1
24	873350600	Nut Hex Jam 3/8-16 Unc	72	819132012	Washer 13/32 X 1-1/4 X 12 Ga
25	532106888	Spring Rod Brake 2 00 Zinc	73	873680600	Nut Crownlock 3/8-16 Unc
26	819131316	Washer 13/32 X 13/16 X 16 Ga	74	532137057	Spacer Axle
27	876020412	Pin Cotter 1/8 X 3/4 Cad	75	532121749	Washer 25/32 X 1 1/4 X 16 Ga
28	532133261	Rod Brake Parking 14 500	76	812000001	E-ring #5133-75
29	532071673	Cap Brake Parking Black	77	532123583	Key Square 2 0 X 1845/ 1865
30	532130807	Bracket Mtg Transaxle	78	532121748	Washer 25/32 X 1-5/8 X 16 Ga
31	532127275	Keeper Belt LH LT 14 Ga	79	532125096	Key Woodruff #9 3/16 X 3/4
32	874760512	Bolt Hex Hd 5/16-18unc X 3/4	80	532131486	Arm Shift Transaxle
33	873680500	Nut Crown Lock 5/16-18	81	532136932	Shaft Asm Cross 18"t 42"deck
34	532122424	Shaft Asm Pedal Foot 1 930	82	532123782	Spring Torsion T/a
35	532120183	Bearing Nylon Blk 629 Id	83	819171216	Washer 17/32 X 3/4 X 16 Ga
36	819211616	Washer 21/32 X 1 X 16 Ga	84	532123793	Rod Link Shift Adj 3 710
37	532124963	Pin Roll 3/16 X 1"	85	873530400	Nut Nylock 1/4-28
38	532123674	Pulley Idler Flat	86	532071208	Bushing Rod Strg 629/632 Id
39	874760644	Bolt Fin Hex 3/8-16unc X 2-3/4	87	819212016	Washer 21/32 X 1-1/4 X 16 Ga
40	532124965	Spacer Split 395 X 59 Bzp	88	812000008	Ring Klip #5304-62
41	532109070	Keeper Belt Retainer	89	532131636	Console Shift 6sp W/ign LT
42	819131312	Washer 13/32 X 13/16 X 12 Ga	91	874760536	Bolt Fin Hex 5/16-18uncx 2 1/4
43	873680600	Nut Crownlock 3/8-16 Unc	93	873680500	Nut Crown Lock 5/16-18
44	532105706	Bearing Nyl 503 X 628 X 1 25	94	810040700	Washer Lock Hvy Hlcl Spr 7/16
45	532110812	Washer Hardened	95	810100800	Washer Lock #8
46	812000039	Ring Klip #t5304-50	96	874640808	Screw #8x1/2
47	532127783	Pulley Idler V Groove Plastic	97	819060718	Washer 3/16 X 7/16 X 18 Ga
48	532123789	Bellcrank Asm Clutch			
49	532123205	Retainer Belt Style Spring			
50	874760624	Bolt Hex Hd 3/8-16unc X 1-1/2			
51	873680600	Nut Crownlock 3/8-16 Unc			

NOTE: All component dimensions given in U.S. inches
1 inch = 25.4 mm

REPAIR PARTS

12.5 HP 42" TRACTOR-MODEL NO. LT125 (H12542A), PRODUCT NO. 954 00 05-42

STEERING ASSEMBLY



REPAIR PARTS

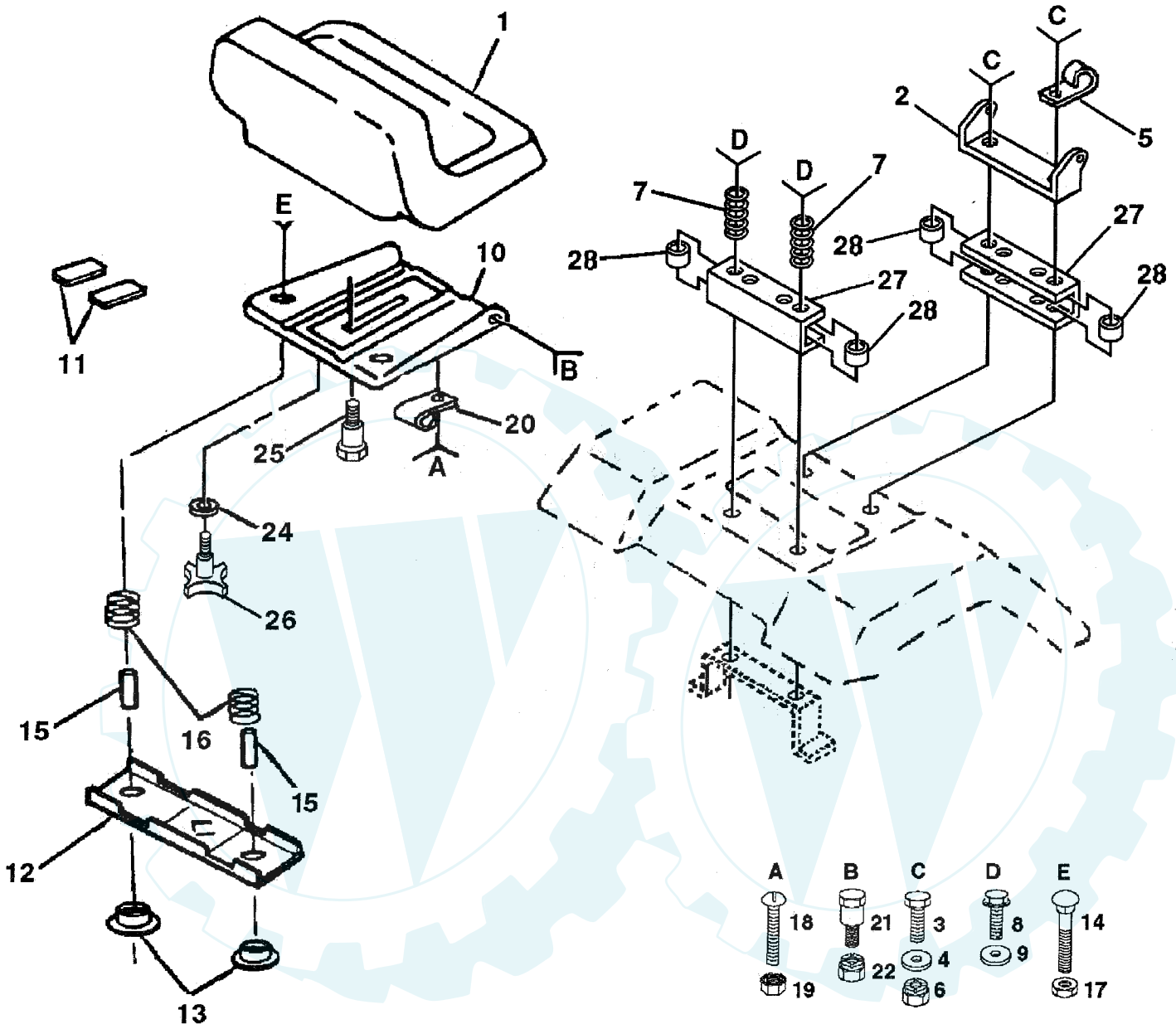
12.5 HP 42" TRACTOR—MODEL NO. LT125 (H12542A), PRODUCT NO. 954 00 05-42
STEERING ASSEMBLY

KEY NO.	PART NO.	DESCRIPTION
1	532124415	Wheel Steering Auto Grey
2	532133988	Axle Asm Fr LT W/gzks 38/42
3	532135227	Spindle Asm LH
4	532135228	Spindle Asm RH
5	532124931	Bearing Race Thrust Harden
6	532121748	Washer 25/32 X 1-5/8 X 16 Ga
7	819272016	Washer 27/32 X 1-1/4 X 16 Ga
8	812000029	Ring Klip #t5304-75
9	532124937	Bearing Col Strg Blk
10	532130468	Link Drag Sol Ball Jt 20 064
11	810040600	Washer Lock Hvy Hlcl Spr 3/8
12	873610600	Nut Fin Hex 3/8-24 Unf
13	532110438	Spacer Bearing Axle Front
14	874011056	Bolt Hex 5/8-11 Unc X 3-1/2
15	873901000	Nut Lock Flange 5/8-11 Unc
16	532132624	Pin Axle 5/8 X 1 55/1 54 Lg
17	532128758	Shaft Asm Strg 18 31x3/4 Yp LT
18	532057079	Washer Thrust 515x 750x 033
19	532124035	Support Shaft
20	532126684	Washer Shim 1/4 X 5/8 X 062
21	810040400	Washer Lock Hvy Helical 1/4
22	871070410	Screw Hex Socket 1/4-20 X 5/8
23	532127501	Shaft Asm Pittman
24	532109816	Nyliner Snap In
25	532124036	Bracket Steering
26	812000029	Ring Klip #t5304-75
27	532124034	Gear Sector
28	532124931	Bearing Race Thrust Harden
29	817490612	Screw Thdrol 3/8-16x3/4 Ty-tt
30	810040600	Washer Lock Hvy Hlcl Spr 3/8
31	873610600	Nut Fin Hex 3/8-24 Unf
32	532130465	Rod Tie Wire Form 19 75 Mech
33	532126847	Bushing Link Drag Blk LR
34	819131416	Washer 13/32 X 7/8 X 16 Ga
35	876020412	Pin Cotter 1/8 X 3/4 Cad
36	532124720	Bushing Strg Blk 742/747 Id
37	817431008	Screw Slftp #10-16 X 1/2 Ty-b
38	532124416	Insert Cap Strg Wh Aut Hus Gry
39	532100712	Washer 53 X 2 25 X 160 Zinc
40	873940800	Nut Hex Jam Toplock 1/2-20 Unf
41	532100711	Adapter Wheel Strg 758/ 753id
43	532121749	Washer 25/32 X 1 1/4 X 16 Ga
44	532121748	Washer 25/32 X 1-5/8 X 16 Ga
45	812000029	Ring Klip #t5304-75
46	532121232	Cap Spindle Fr Top Blk
47	532124836	Fitting Grease

NOTE: All component dimensions given in U.S. inches
1 inch = 25.4 mm

REPAIR PARTS

12.5 HP 42" TRACTOR—MODEL NO. LT125 (H12542A), PRODUCT NO. 954 00 05-42
SEAT ASSEMBLY



KEY NO.	PART NO.	DESCRIPTION
1	532124185	Seat V-450 Gry/blk Std
2	532126656	Bracket Pivot Seat 8 720
3	874760640	Bolt Hex Fin 3/8-16unc X 2-1/2
4	819131210	Washer 13/32 X 3/4 X 10 Ga
5	532124996	Clip Line Fuel 13/32 Mtg Hole
6	873680600	Nut Crownlock 3/8-16 Unc
7	532124181	Spring Seat Cprsn 2 250 Blk Zi
8	817490640	Screw Hwsh Thdrol 3/8-16x2-1/2
9	819131614	Washer 13/32 X 1 X 14 Ga
10	532131451	Pan Seat
11	532121251	Strip Foam Gray Or Black
12	532121246	Bracket Mounting Switch
13	532121248	Bushing Snap Blk Nyl 50 Id
14	872050411	Bolt Rdhd Sht Nk 1/4-20x1-3/8
15	532134300	Spacer Split 28x 96 Yel Zinc

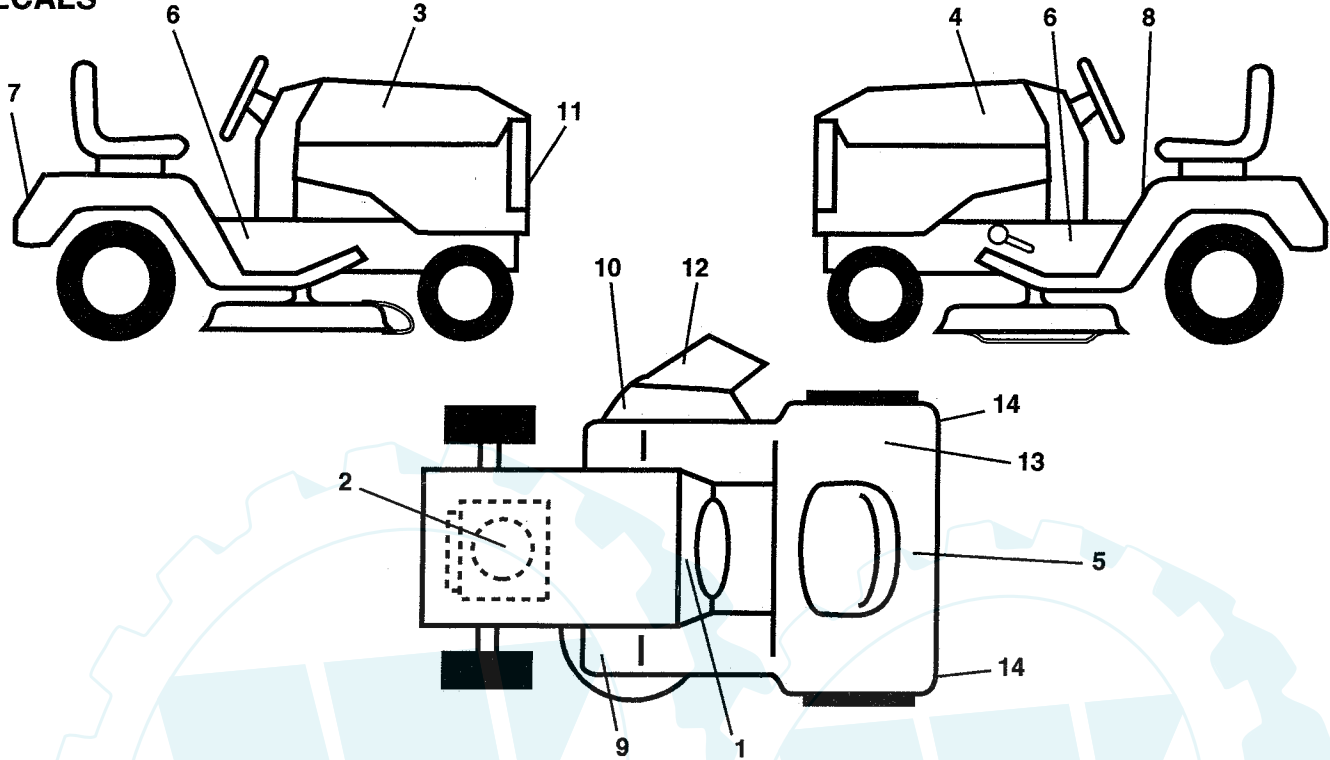
KEY NO.	PART NO.	DESCRIPTION
16	532121250	Spring Cprsn 1 27 Blk Pnt
17	532123976	Nut Lock 1/4 Lge Flg Gr 5 Zinc
18	874641008	Screw SLTD Pan Hd #10-32 X 1/2
19	873951000	Nut Keps #10-32 Unf
20	532124967	Clip Insulated 11/32 Mtg Hole
21	532105529	Bolt Shoulder 5/16-18 Unc Blkz
22	873680500	Nut Crown Lock 5/16-18
24	819171912	Washer 17/32 X 1-3/16 X 12 Ga
25	532127018	Bolt Shoulder 5/16-18 X 62
26	532120068	Knob Seat 1/2-13unc Blk
27	532131772	Spacer Seat
28	532131771	Spacer Split

NOTE: All component dimensions given in U.S. inches
1 inch = 25.4 mm

REPAIR PARTS

12.5 HP 42" TRACTOR—MODEL NO. LT125 (H12542A), PRODUCT NO. 954 00 05-42

DECALS



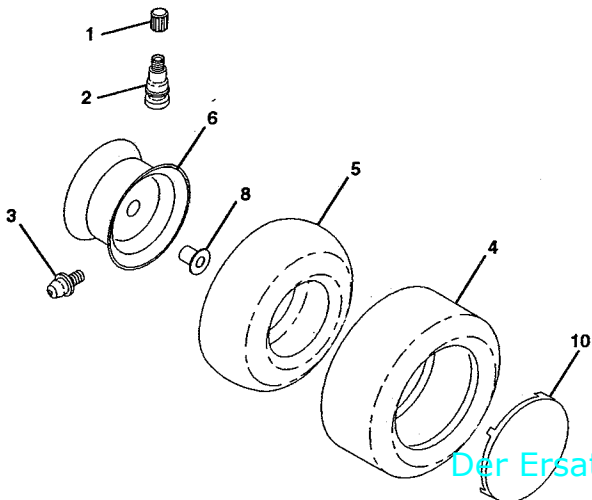
KEY NO.	PART NO.	DESCRIPTION
1	532136795	Decal Instruction Dash Eng/fr
2	532129057	Decal Engine 12 5HP B&S
3	532137708	Decal Hood RH Husq LT125
4	532137707	Decal Hood LH Husq LT125
5	532121549	Decal Caution Battery Fr/ger
6	532125946	Decal Chassis Lawn Tractor
7	532131582	Decal Fender Husqvarna
8	532133795	Decal Caution Fender Eng/fr
8A	532126155	Decal Inst Warn Sw/nor/dan/fin
8B	532126348	Decal Inst Warn Span/ital
9	532101892	Decal Clutch/brake Eng/fr
10	532137259	Decal Warning MULT-LANGUAGE
11	532125989	Decal Grille Husqvarna "h" logo
12	532126193	Decal Warn Def Sw/nor/dan/fin

KEY NO.	PART NO.	DESCRIPTION
12A	532126347	Decal Warn Deflec Span/ital
13	532125690	Decal 100 DbA
14	532106202	Reflector Tail Light Red/amber
-	532138311	Decal Lift Handle(Lift Handle)
-	532137948	Manual Owners H12542a English
-	532137949	Manual Owners H12542a French

Available accessories not included with tractor:

- BP20 42" Snow blade
- GWN42 Guage Wheels for 42" Vent Deck
- LAD18 Tire Chains
- LC05 33 lb. Weights (pairs)
- SB20 40" Snow Thrower

WHEELS & TIRES



KEY NO.	PART NO.	DESCRIPTION
1	532059192	Cap Valve Tire
2	532065139	Stem Valve
3	532124957	Fitting Grease (Front Wheel Only)
4	532106222	Tire F Ts 15 X 6 0 - 6 Service
-	532106268	Tire R Ts 18x9 5-8 C Service
5	532059904	Tube Front (Service Item Only)
-	532124926	Tube Rear (Service Item Only)
6	532124999	Rim Asm 8"rear White Service
8	532124959	Bearing Flange (Front Wheel Only)
10	532124577	Cover Wheel 6"white
-	532124578	Cover Wheel 8"white

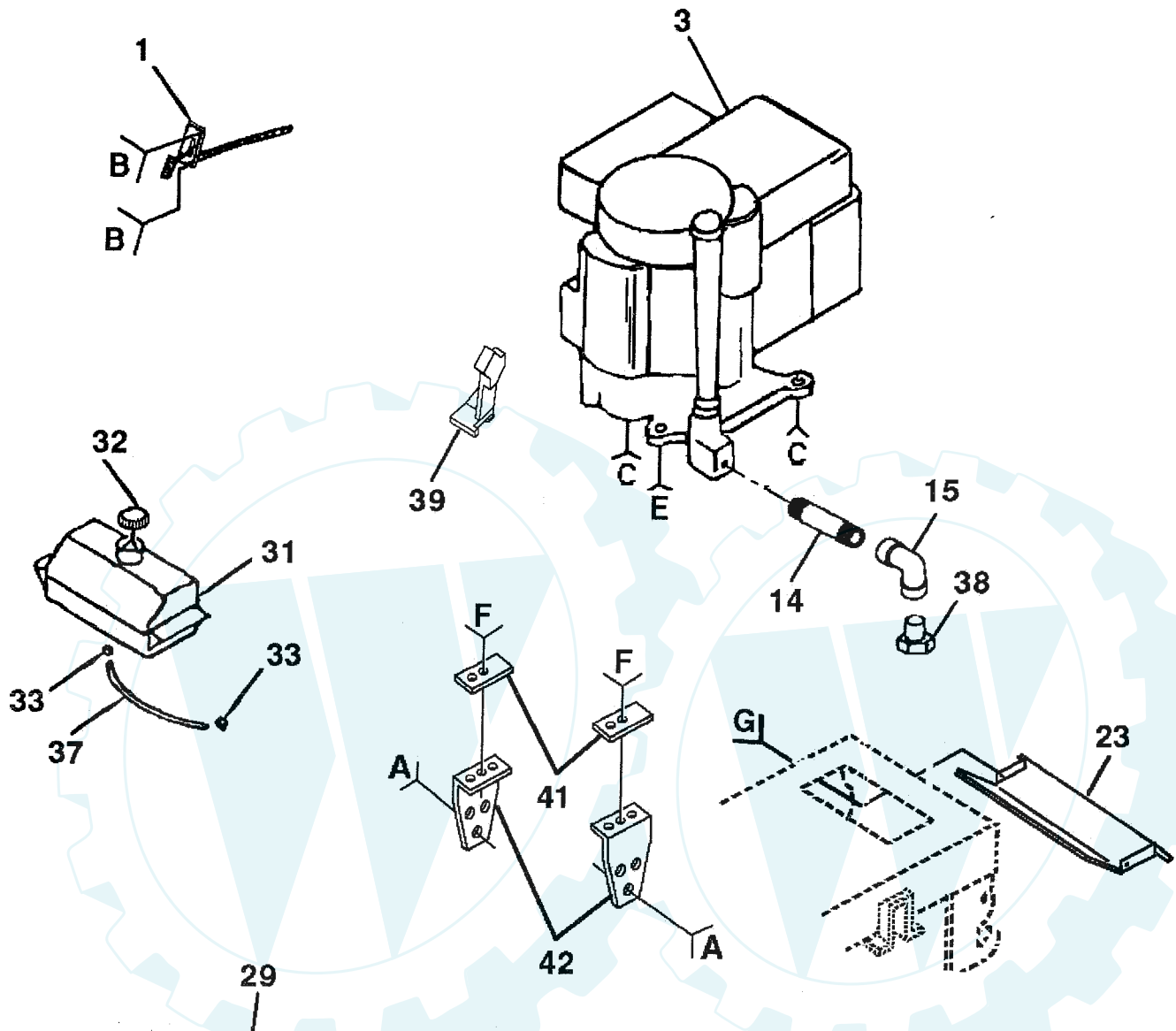
NOTE: All component dimensions given in U.S. inches

Der Ersatzteilspezialist im Internet

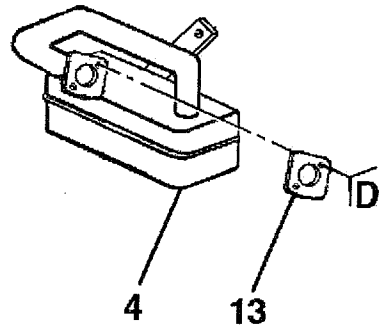
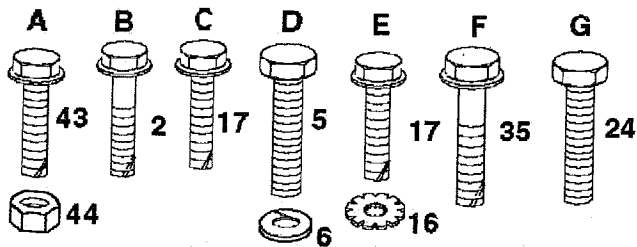
REPAIR PARTS

www.ersatzteil-service.de

12.5 HP 42" TRACTOR-MODEL NO. LT125 (H12542A), PRODUCT NO. 954 00 05-42
ENGINE



OPTIONAL EQUIPMENT
Spark Arrester



REPAIR PARTS

12.5 HP 42" TRACTOR-MODEL NO. LT125 (H12542A), PRODUCT NO. 954 00 05-42
ENGINE

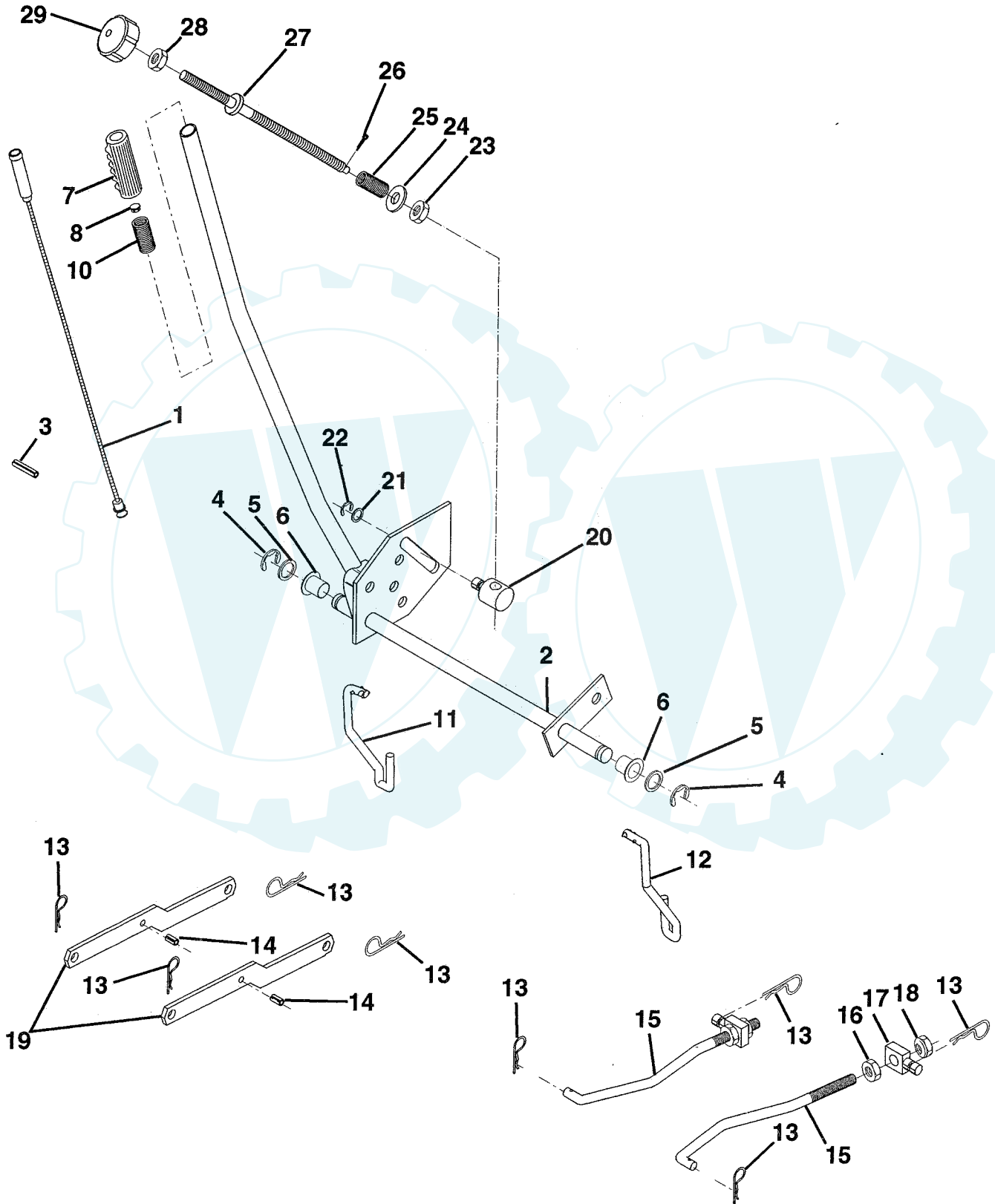
KEY NO.	PART NO.	DESCRIPTION
1	532132754	Control Th/ch RH Blk Flg 35 85
2	817720410	Screw Hex Thd Cut 1/4-20x5/8 T
3	-----	Engine B&S 12 5HP lcg Dual 1vt Model No. 286707
4	532137348	Muffler LT B&S 12/12 5 HP
5	871070510	Screw Hexhd Cap 5/16-18x5/8
6	810040500	Washer Lock Hvy Hlcl Spr 5/16
13	532125593	Gasket Eng 1 313 Id Tin Plated
14	813280324	Nipple Pipe 3/8 Npt X 3"
15	813200300	Elbow Std 90 Degree 3/8-18 Npt
16	811050600	Washer Lock Ext Tooth 3/8
17	817490620	Screw Thdrol 3/8-16x1-1/4 TYTT
23	532128953	Shield Heat Browning LT/YT
24	817021008	Screw Tap Hex #10-24unc X 1/2
29	532137180	Kit Spark Arrestor (Flat Scrn)
31	532109202	Tank Fuel Front 1 25
32	532123549	Cap Asm Fuel W/sym Vented
33	532123487	CLAMP Hose Blk
35	817490612	Screw Thdrol 3/8-16x3/4 Ty-tt
37	532124923	Line Fuel 7 5"
38	-----	Plug Oil Drain (Order From Engine Manufacturer)
39	532133097	Stop Throt 2700 Rpm
41	532128230	Strap Support Fuel Tank
42	532128229	Bracket Support Tank Fuel
43	874760616	Bolt Fin Hex 3/8-16unc X 1
44	873680600	Nut Crownlock 3/8-16 Unc

NOTE: All component dimensions given in U.S. inches.
1 inch = 25.4 mm

REPAIR PARTS

www.ersatzteil-service.de

12.5 HP 42" TRACTOR-MODEL NO. LT125 (H12542A), PRODUCT NO. 954 00 05-42
LIFT



REPAIR PARTS

www.ersatzteil-service.de

12.5 HP 42" TRACTOR-MODEL NO. LT125 (H12542A), PRODUCT NO. 954 00 05-42
LIFT

KEY NO.	PART NO.	DESCRIPTION
1	532136973	Wire Asm Inner W/plunger 17 32
2	532137111	Shaft Asm Lift 93 LH Lift
3	532105767	Pin Groove 1 500 Zinc
4	812000002	E Ring #5133-62
5	819211416	Washer 21/32 X 7/8 X 16 Ga
6	532120183	Bearing Nylon Blk 629 Id
7	532125631	Grip Handle Fluted Blk
8	532124526	Button Plunger Black
10	532122512	Spring Cprsn 3 750 Oiled
11	532134619	Link Lift LH Fixed Length
12	532135388	Link Lift RH Fixed Length
13	532124670	Retainer Spring
14	532135563	Pin Roll SLT 5/16 X 1 25 Blk O
15	532127218	Link Front
16	873350800	Nut Jam Hex 1/2-13 Unc
17	532130171	Trunnion Blk Zinc
18	873800800	Nut Lock W/wsh 1/2-13unc
19	532130832	Arm Suspension Rear
20	532110810	Trunnion Dp Stop Dbl Thds PLT
21	819151216	Washer 15/32 X 3/4 X 16 Ga
22	812000037	Ring Klip #t5304-37
23	532110807	Nut Special
24	819131016	Washer 13/32 X 5/8 X 16 Ga
25	532124874	Spring 2-1/8"
26	876020308	Pin Cotter 3/32 X 1/2
27	532110729	Rod Adj Lift Zinc 9 00 Wrk Lg
28	873350600	Nut Hex Jam 3/8-16 Unc
29	532138057	Knob Inf 3/8-16 Unc Blk W/sym

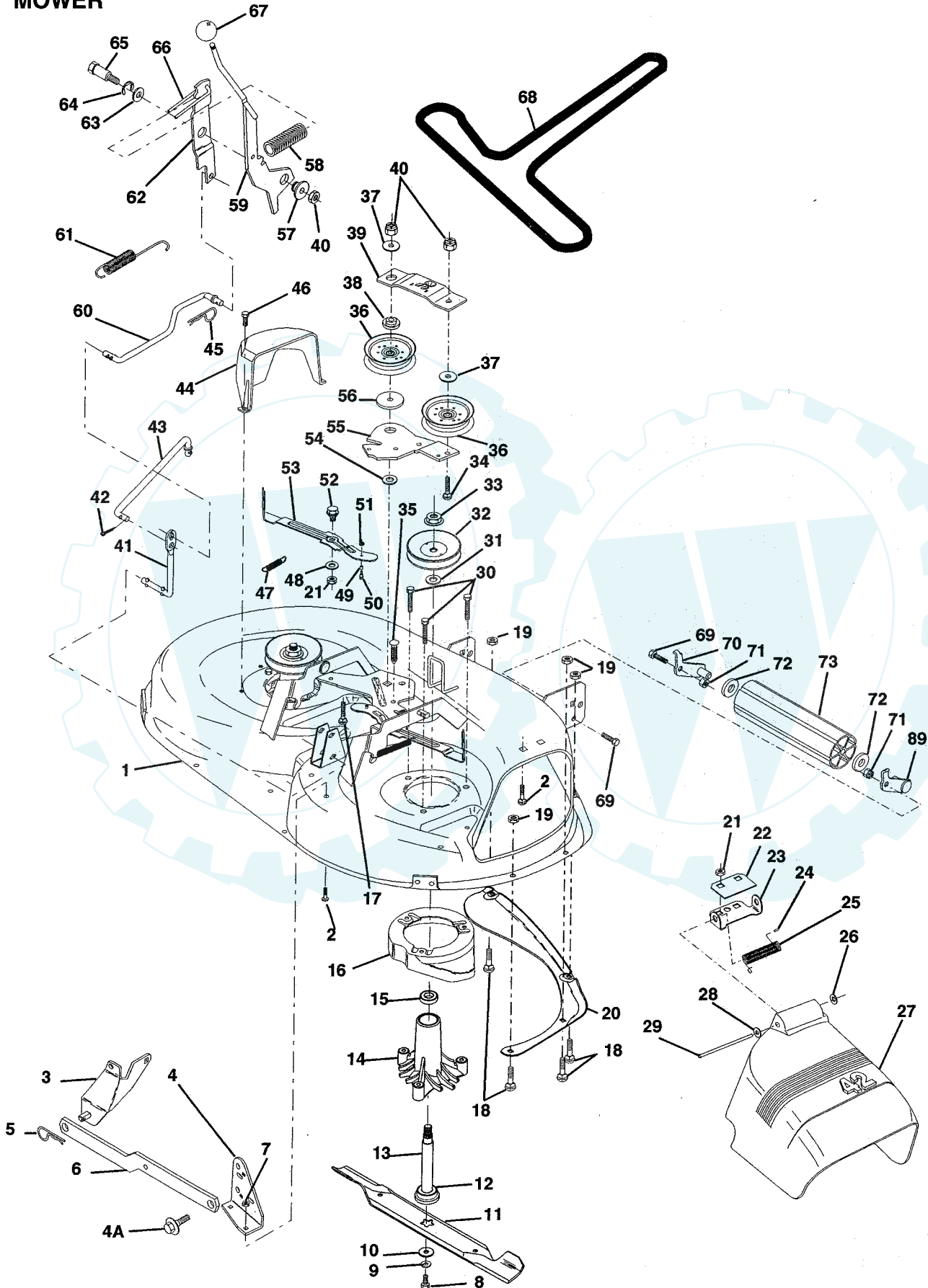
NOTE: All component dimensions given in U.S. inches
1 inch = 25.4 mm

REPAIR PARTS

www.ersatzteil-service.de

12.5 HP 42" TRACTOR-MODEL NO. LT125 (H12542A), PRODUCT NO. 954 00 05-42

42" MOWER



REPAIR PARTS

www.ersatzteil-service.de

12.5 HP 42" TRACTOR-MODEL NO. LT125 (H12542A), PRODUCT NO. 954 00 05-42

42" MOWER

KEY NO.	PART NO.	DESCRIPTION	KEY NO.	PART NO.	DESCRIPTION
1	532138024	Deck Asm MWR 42"weldment	40	873680600	Nut Crownlock 3/8-16 Unc
2	872140506	Bolt Rdhd Sqnk 5/16-18unc X3/4	41	532133551	Rod Pivot W/nibs
3	532138017	Bracket Asm Fr Sway Bar 38/42	42	876020312	Pin Cotter 3/32 X 3/4 Cad
4	532138440	Bracket Asm Deck 42"sway Bar	43	532133504	Rod Clutch Secondary W/nibs
4A	532132827	Bolt Shoulder	44	532134236	Guard Mandrel LH Black
5	532124670	Retainer Spring	45	532124788	Spring Retainer 1" Zinc/cad
6	532130832	Arm Suspension Rear	46	817720410	Screw Hex Thd Cut 1/4-20x5/8 T
7	873800500	Locknut-hex W/ins 5/16-18unc P	47	532131335	Spring Extension
8	532850857	Bolt 3/8-24x1 25 Gr8 Patched	48	532133944	Washer Hardened Smaller
9	810030600	Washer Lock Hvy 3/8 Unplated	49	532133940	Roller Asm Cam Follower 42"dec
10	532129962	Washer Hard Blade Mower Vented	50	532131340	Bolt Shldr 10-24 Zinc Gr 5 42"
11	532127843	Blade Mower High Perf 42"	51	532069180	Nut Lock #10-24 Unc
12	532129895	Bearing Ball #6204 (Mandrel)	52	532105529	Bolt Shoulder 5/16-18 Unc Blkz
13	532133172	Shaft Asm W/lower Bearing	53	532131845	Arm Asm Pad Brake
14	532128774	Housing Mandrel Vented(machd)	54	532133943	Washer Hardened
15	532110485	Bearing Ball Mandrel	55	532133844	Arm Idler 42"mower LT/YT
16	532136929	Stripper Mower Vented	56	532122052	Spacer Retainer Pm Mower
17	872110618	Bolt Rdhd Sqnk 3/8-16 X 2-1/4	57	532127498	Bushing 747 Od X 794 Lg Brass
18	872110505	Bolt Carr 5/16-18 X 5/8 Short	58	532128759	Spring Clutch Mower 2 750 Zinc
19	873800500	Locknut-hex W/ins 5/16-18unc P	59	532131813	Lever Asm Clutch Primary Yp
20	532136888	Baffle Vortex 42	60	532134666	Rod Clutch Primary 38/42
21	873680500	Nut Crown Lock 5/16-18	61	532131870	Spring Return
22	532134753	Stiffener Bracket 42"deck	62	532127847	Arm Clutch Secondary
23	532131267	Bracket Deflector Mower 42"	63	532121748	Washer 25/32 X 1-5/8 X 16 Ga
24	532105304	Cap Sleeve 80x 112 Blk Mower	64	812000029	Ring Klip #t5304-75
25	532123713	Spring Torsion Deflector 2 52	65	532128903	Bolt Shoulder 3/8-16 Unc 1 44
26	532110452	Nut Push Phos & Oil	66	532127845	Keeper Spring 4 000
27	532130968	Shield Deflector Mower 42" Blk	67	532132044	Cover Handle Round Black 5 25
28	819111016	Washer 11/32 X 5/8 X 16 Ga	68	532130969	V-Belt Mower 42" 92 40
29	532131491	Rod Hinge 42"6 75 Wlg	69	874760616	Bolt Fin Hex 3/8-16unc X 1
30	532078158	Bolt 5/16-18 X 1 25 T/t	70	532132274	Bracket Asm Noseroller LH
31	532129963	Washer Spacer Mower Vented	71	873680600	Nut Crownlock 3/8-16 Unc
32	532129861	Pulley Mandrel 42"	72	819171416	Washer 17/32 X 7/8 X 16 Ga
33	873050900	Nut 9/16top Lock Fling Oil Dip	73	532132264	Roller Nose 38 & 42
34	872110614	Bolt Rdhd 3/8-16uncx1-3/4 Gr5	89	532132273	Bracket Asm Noseroller RH
35	532133835	Fastner Christmas Tree	-	532136328	Deck Serv 42" Mech Vent Europe
36	532131494	Pulley Idler Flat 3 060	-	532130794	Mandrel Asm Service
37	819131612	Washer 13/32 X 1 X 12 Ga			
38	532133502	Spacer Arm Idler Upper Hdn 42"			
39	532133503	Stiffener Arm Idler Upper 42"			

NOTE: All component dimensions given in U.S. inches
1 inch = 25.4 mm

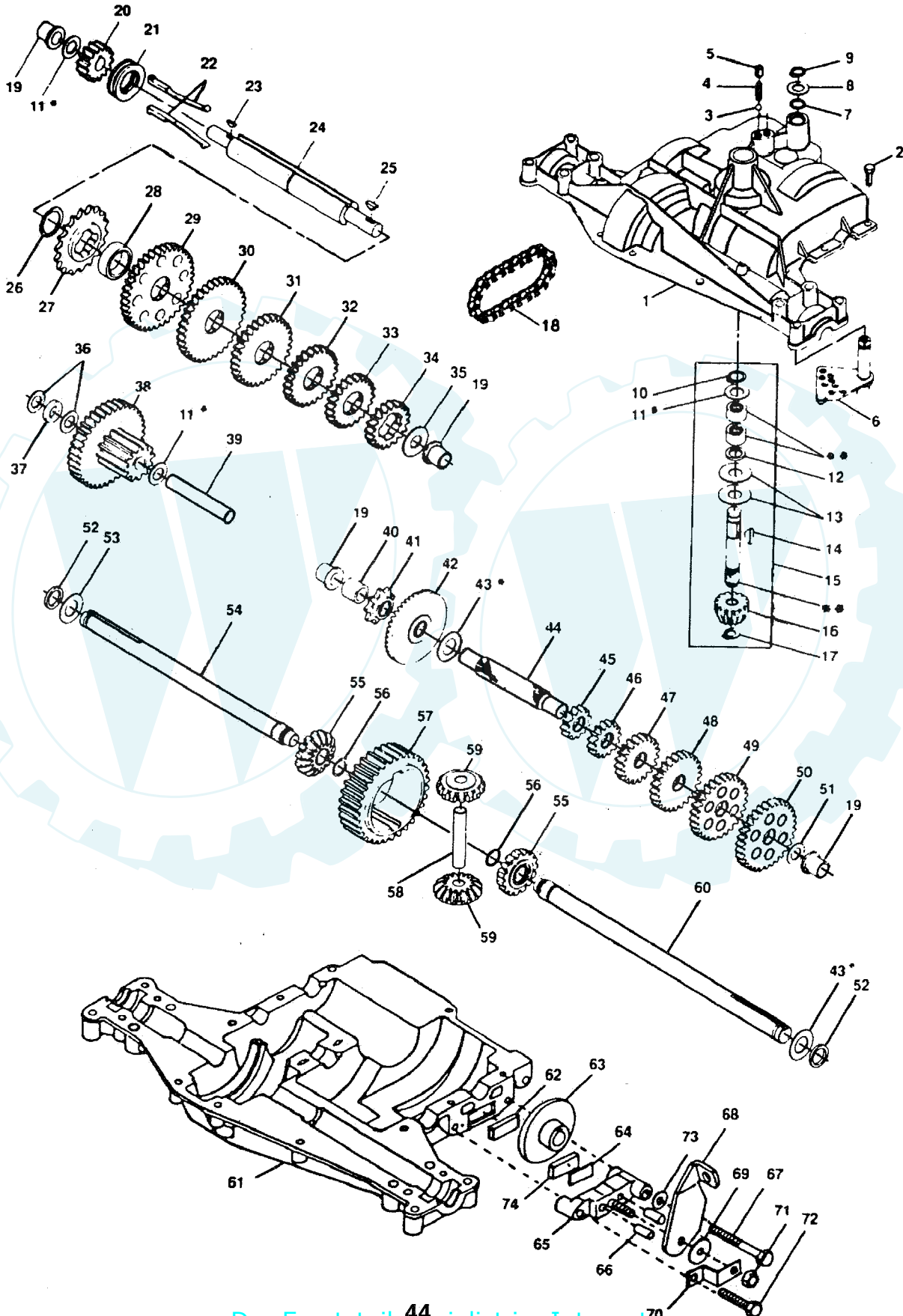
REPAIR PARTS

www.ersatzteil-service.de

12.5 HP 42" TRACTOR-MODEL NO. LT125 (H12542A), PRODUCT NO. 954 00 05-42

DANA TRANSAXLE - MODEL NUMBER 4360-07

TRANSAXLE



REPAIR PARTS

12.5 HP 42" TRACTOR-MODEL NO. LT125 (H12542A), PRODUCT NO. 954 00 05-42

DANA TRANSAXLE - MODEL NUMBER 4360-07

TRANSAXLE

KEY PART NO. NO.	DESCRIPTION	KEY PART NO. NO.	DESCRIPTION
1 3865	Housing, Upper	41 3645	Sprocket, 9 Teeth
2 1919	Screw, Tapping, Large 1/4-20 x .734	42 3853	Gear, Bevel, 42 Teeth
3 1151	Ball, Detent	43 3749	* Washer, Plain .758 x 1.12 x .010
4 3626	Spring, Detent	3652	* Washer, Plain .758 x 1.12 x .015
5 3623	Screw, Set	3693	* Washer, Plain .758 x 1.12 x .020
6 4336	Assembly, Shifter	3653	* Washer, Plain .758 x 1.12 x .025
7 3884	O-Ring	3408	* Washer, Plain .758 x 1.25 x .020
8 3885	* Washer, Plain .505 x .942 x .006	3732	* Washer, Plain .758 x 1.25 x .025
3886	* Washer, Plain .505 x .942 x .010	3184	* Washer, Plain .758 x 1.25 x .031
3887	* Washer, Plain .505 x .942 x .015	3733	* Washer, Plain .758 x 1.25 x .035
3888	* Washer, Plain .505 x .942 x .020	3198	* Washer, Plain .758 x 1.25 x .040
3889	* Washer, Plain .505 x .942 x .026	3734	* Washer, Plain .758 x 1.25 x .045
3121	* Washer, Plain .505 x .942 x .030	3735	* Washer, Plain .758 x 1.25 x .050
3890	* Washer, Plain .505 x .942 x .040	3736	* Washer, Plain .758 x 1.25 x .055
9 1100	Ring, Retaining	3180	* Washer, Plain .758 x 1.25 x .062
10 1099	Ring, Retaining	44 3882	Shaft, Drive
11 1959	* Washer, Plain .632 x 1.00 x .010	45 3646	Gear, Spur, 12 Teeth
1441	* Washer, Plain .632 x 1.00 x .020	46 3707	Gear, Spur, 15 Teeth
1423	* Washer, Plain .632 x 1.00 x .026	47 3866	Gear, Spur, 20 Teeth
1082	* Washer, Plain .632 x 1.00 x .031	48 3719	Gear, Spur, 25 Teeth
1424	* Washer, Plain .632 x 1.00 x .036	49 3868	Gear, Spur, 28 Teeth
1068	* Washer, Plain .632 x 1.00 x .041	50 3683	Gear, Spur, 31 Teeth
1425	* Washer, Plain .632 x 1.00 x .046	51 1145	Washer, Plain .632 x 1.00 x .060
1358	* Washer, Plain .632 x 1.00 x .050	52 3191	Seal, Felt
1145	* Washer, Plain .632 x 1.00 x .060	53 3180	Washer, Plain .758 x 1.25 x .062
1319	* Washer, Plain .632 x 1.00 x .082	54 3880	Axle, Left Hand
12 3312	O-Ring	55 3780	Gear, Miter, 15 Teeth
13 3876	Washer, Plain .632 x 1.38 x .046	56 3656	Ring, Retaining
14 1374	Key, Woodruff #9	57 3839	Gear, Spur, 32 Teeth
15 4134	Assembly, Kit, Input Shaft	58 3919	Shaft, Cross
16 3590	Pinion, Bevel, 14 Teeth	59 3781	Gear, Miter, 15 Teeth
17 3624	Ring, Retaining	60 3881	Axle, Right Hand
18 3625	Chain, 24 Pitches	61 3864	Housing, Lower
19 1542	Bearing, Flange	62 3920	Puck, Friction
20 3773	Gear, Spur, 14 Teeth	63 3276	Disc, Brake
21 3631	Collar, Clutch	64 3758	Spacer
22 3828	Key, Clutch	65 3916	Jaw, Brake
23 1369	Key, Woodruff	66 3843	Pin, Dowel
24 3883	Shaft, Intermediate	67 3915	Screw, Tapping, Large 5/16-18 x 2.25
25 1375	Key, Woodruff #61	68 3768	Lever, Actuating
26 3627	Ring, Retaining	69 3760	Washer, Plain .321 x 1.00 x .055
27 3830	Sprocket, 18 Teeth	70 3917	Bracket, Anti-Rotation
28 3841	Spacer	71 3847	Locknut 5/16-24
29 3786	Gear, Spur, 37 Teeth	72 3724	Screw, Tapping, Large 5/16-18 x 1.44
30 3785	Gear, Spur, 35 Teeth	73 3906	Washer, Plain .343 x .81 x .059
31 3867	Gear, Spur, 30 Teeth	74 3907	Puck, Friction
32 3783	Gear, Spur, 25 Teeth	75 4300	Grease
33 3869	Gear, Spur, 22 Teeth		
34 3741	Gear, Spur, 19 Teeth		
35 3628	Washer, Plain .640 x 1.37 x .061		
36 1423	Washer, Plain .632 x 1.00 x .026		
37 3422	Spacer .630 x 1.00 x .169		
38 4286	Assembly, Gear, Combination of 12 Teeth and 35 Teeth		
39 3877	Shaft, Idler		
40 3901	Spacer .635 x .875 x .755		

* Use In Various Combinations To Maintain Proper Clearances.

** Order Key Number 15

NOTE: All component dimensions given in U.S. inches
1 inch = 25.4 mm