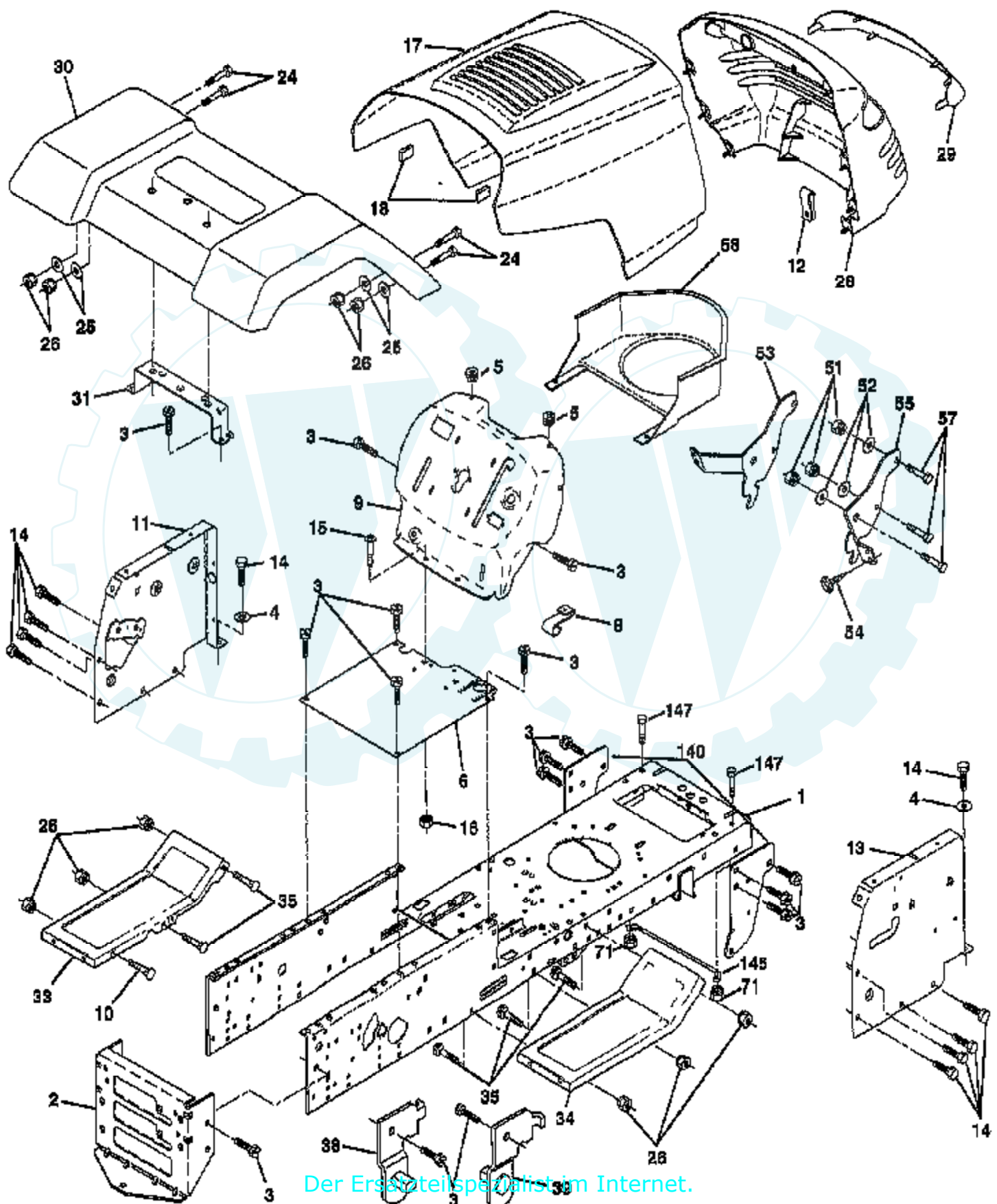


TRACTOR - MODEL NO. LT125 (JC12542A)

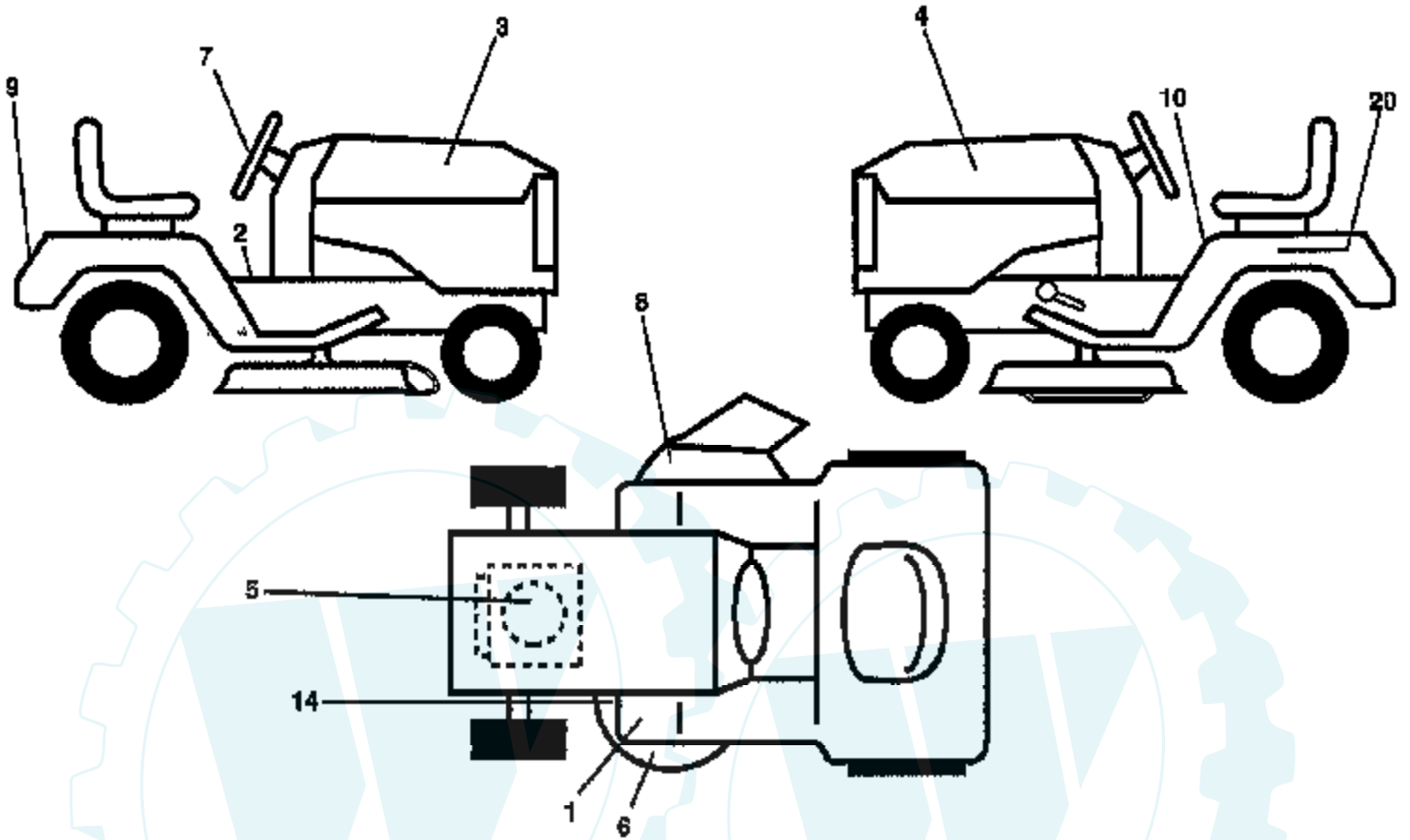
CHASSIS AND ENCLOSURES



Ref #	Part Number	Qty	Description
1	532159530		SUB= 159530
2	532140356		SUB= 145009
3	817490612		SCREW THDROL 3/8-16X3/4 TY-TT
4	819131216		WASHER 13/32X3/4X16 GA
5	532155272		SUB= 155272
6	532155923		SUB= 155923
8	532155138		SUB= 155138
9	532157969		SUB= 147627X011
10	872140608		BOLT CARRIAGE 3/8-16X1
11	532155927		SUB= 155927
12	532145660		SUB= 145660
13	532157262		SUB= 155934X010
14	817490608		SCREW THDROL 3/8-16X1/2 TY-TT
15	874180512		SCREW MACHINE TRHD 5/16-18 X 3/4
16	873510500		NUT, KEPS 5/16-18
17	532159355		SUB= 159639X505
18	532126938		"BUMPER,HOOD T"
24	874780616		BOLT FIN HEX 3/8-16 X 1
25	819131312		WASHER
26	873800600		LOCKNUT
28	532157373		SUB= 157373
29	532140273		SUB= 140273
30	532141283		SUB= 140001X505
31	532136619		SUB= 136619
33	532125401		SUB= 105476X505
34	532125402		SUB= 105475X505
35	872110606		BOLT RDHD SHT SQNK 3/8-16 X 3/4
38	532139886		SUB= 139886
39	532139887		SUB= 139887
51	873800400		NUT LOCK HEX W/INS 1/4-20
52	819091416		WASHER 9/32 X 7/8 X 16 GA
53	532144697		SUB= 144697
54	817030814		SCREW LOCK SPIDER #8 X 7/8
55	532144696		SUB= 144696
57	874780412		BOLT HEX 1/4-20 X 3/4
58	532150127		SUB= 150127
71	873680400		NUT CROWNLOCK 1/4-20
140	532158418		SUB= 158418
145	532156524		SUB= 156524
147	874760412		BOLT HEX HD 1/4-20 X 3/4
	532005479		SUB= 5479J

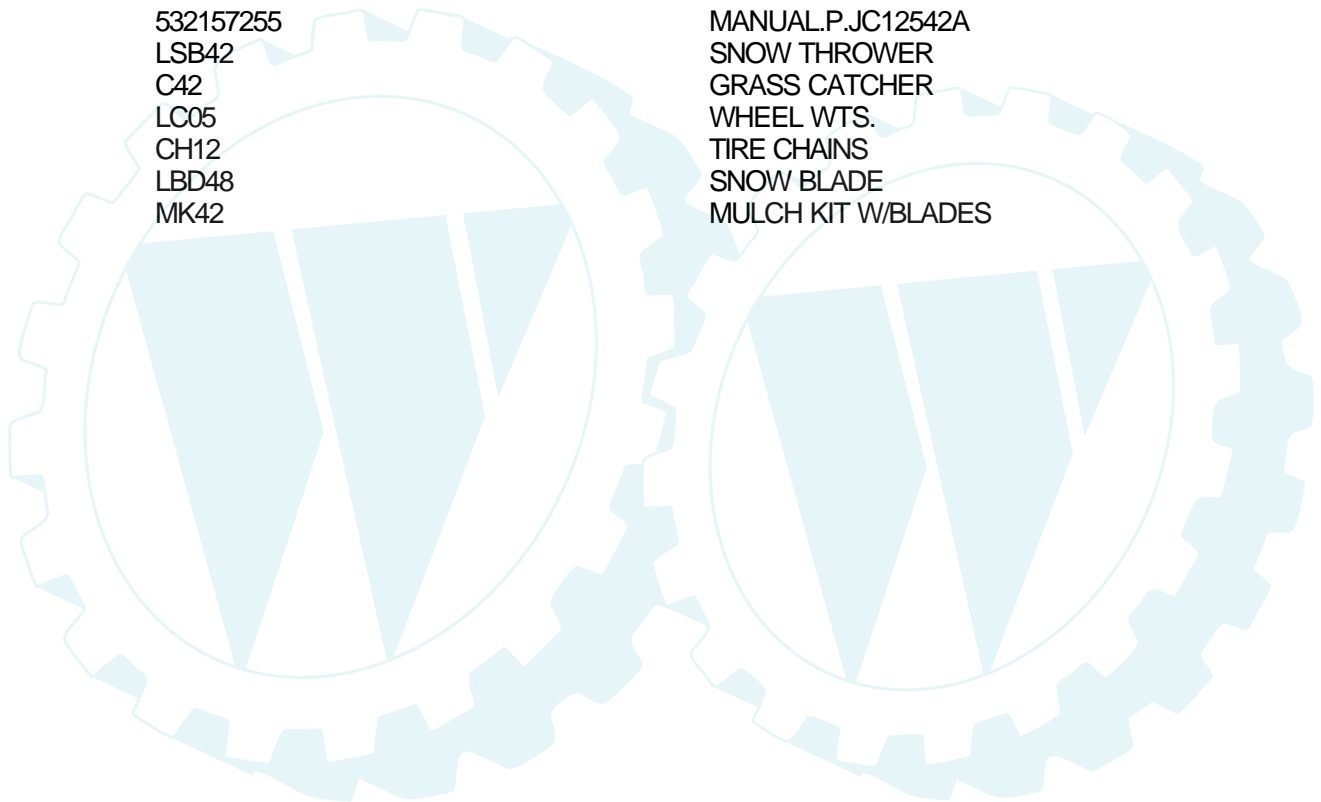
TRACTOR - MODEL NÖ. LT125 (JC12542A)

DECALS



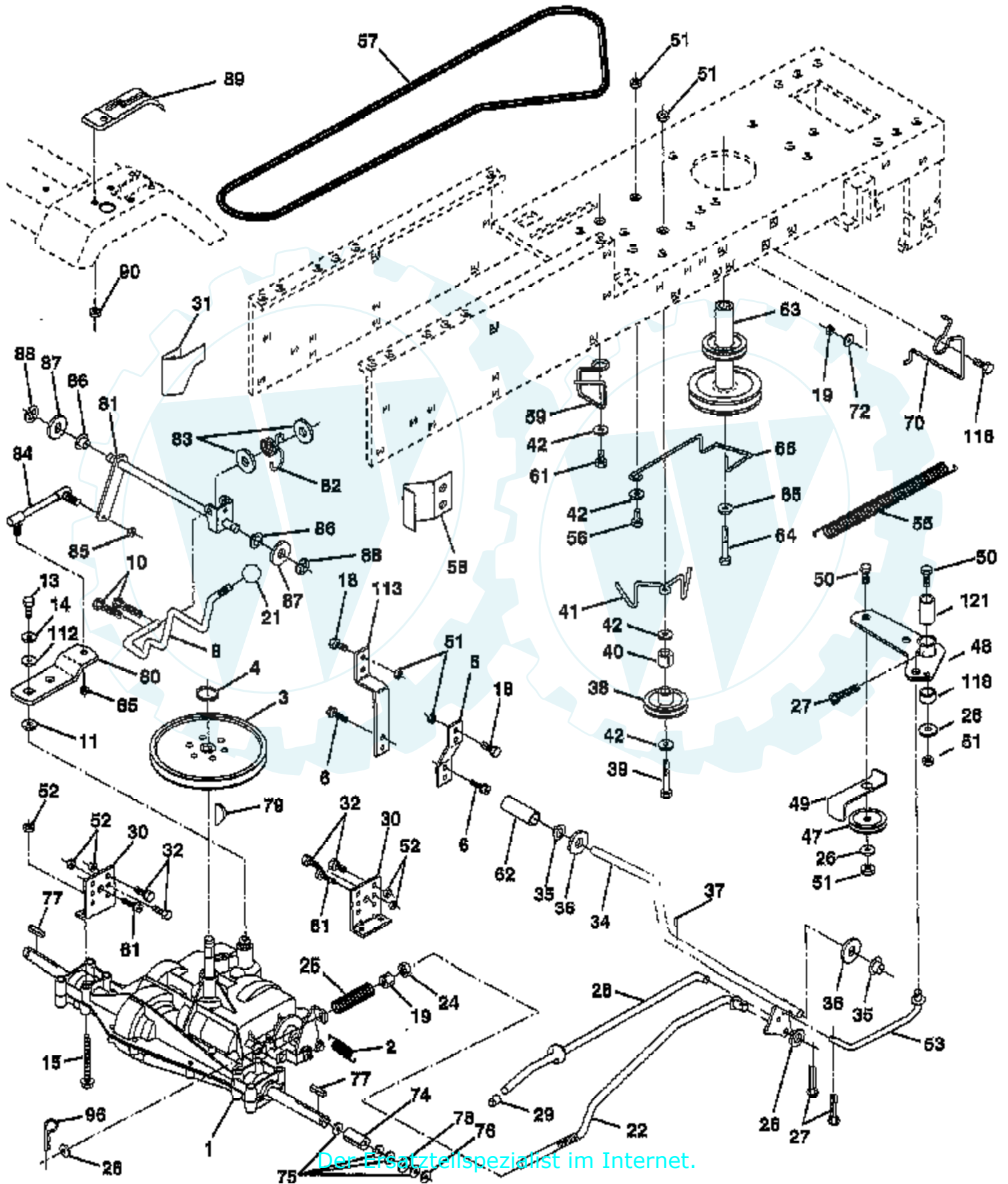
NOTE: All component dimensions given in U.S. Inches
1 Inch = 25.4 mm

Ref #	Part Number	Qty	Description
1	532101892		SUB= 101892X
2	532157163		"DECAL OPER,SADDLE"
3	532159276		DECAL HOOD RH
4	532159277		DECAL HOOD LH
5	532272632		SUB= 272632
6	532134999		DECAL MOWER ENVIRO WHITE
7	532152252		DECAL INS STRG
8	532137259		SUB= 137259
9	532141761		DECAL.FEND.LR/LT
10	532157140		SUB= 157140
14	532136832		SUB= 136832
20	532145005		SUB= 145005
	532138311		SUB= 138311
	532158124		MANUAL.O.JC1454
	532157255		MANUAL.P.JC12542A
	LSB42		SNOW THROWER
	C42		GRASS CATCHER
	LC05		WHEEL WTS.
	CH12		TIRE CHAINS
	LBD48		SNOW BLADE
	MK42		MULCH KIT W/BLADES



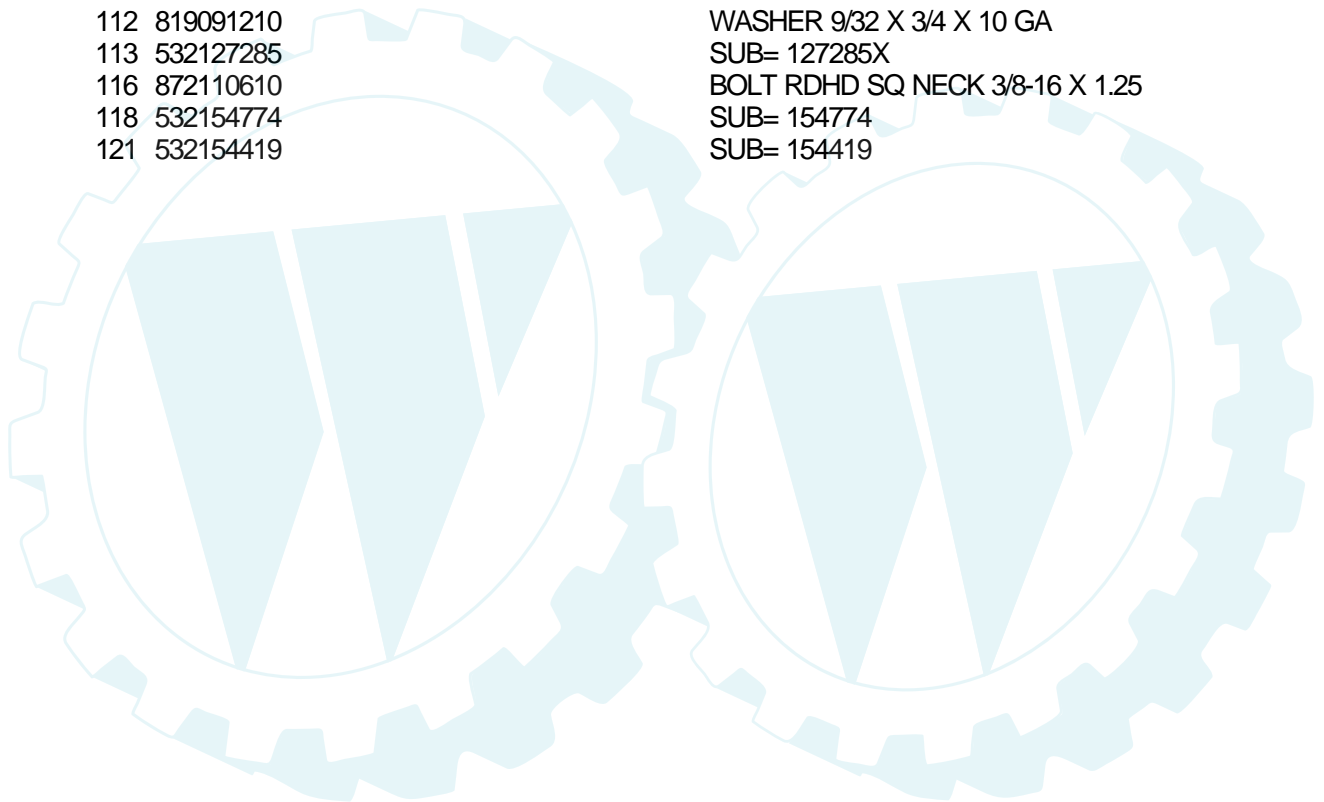
TRACTOR - MODEL NO. LT125 (JC12542A)

DRIVE



Ref #	Part Number	Qty	Description
1	930-055A		TRANSAXLE, PEERLESS
2	532146682		SUB= 146682
3	532123666		SUB= 123666X
4	812000028		RING, RETAINER
5	532121520		SUB= 121520X
6	817490512		SCREW THDROL 5/16-18 X 3/4 TYT
8	532141003		SUB= 141003
10	876020416		PIN COTTER 1/8 X 1 CAD
11	532105701		SUB= 105701X
13	874550412		BOLT 1/4-28 GR 8 W/PATCH
14	810040400		WASHER, LOCK 1/4
15	874490544		BOLT HEX 5/16-18 GA 5
18	874780616		BOLT FIN HEX 3/8-16 X 1
19	873800600		LOCKNUT
21	532106933		SUB= 106933X
22	532130804		SUB= 130804
24	873350600		NUT HEX JAM 3/8-16 UNC
25	532106888		SUB= 106888X
26	819131316		WASHER 13/32 X 13/16 X 16 GA
27	876020412		PIN COTTER 1/8 X 3/4 CAD
28	532145204		SUB= 145204
29	532071673		SUB= 71673
30	532130807		SUB= 130807
31	532127275		SUB= 127275X
32	874760512		BOLT, HEX 5/16-18 X 3/4
34	532155071		SUB= 155071
35	532120183		SUB= 120183X
36	819211616		WASHER 21/32 X 1 X 16 GA
37	532124963		SUB= 2882J
38	532123674		SUB= 123674X
39	874760644		BOLT FIN HEX 3/8-16 X 2-3/4
40	532124965		SUB= 4470J
41	532154777		SUB= 165692
42	819131312		WASHER
47	532127783		SUB= 139245
48	532154604		SUB= 154604
49	532123205		SUB= 123205X
50	874760624		BOLT HEX HD 3/8-16 X 1-1/2
51	873680600		NUT, CROWNLOCK 3/8-16
52	873680500		LOCKNUT, CROWN 5/16-18
53	532105710		SUB= 105710X
55	532105709		SUB= 105709X
56	874760620		BOLT, HEX 3/8-16 X 1-1/4
57	532130801		SUB= 138255
58	532127274		SUB= 127274X
59	532140312		SUB= 140312
61	817490612		SCREW THDROL 3/8-16X3/4 TY-TT
62	532124872		SUB= 8883R
63	532140186		SUB= 140186
64	871170764		BOLT HEX
65	810040700		WASHER LOCK HVY HLCL SPR 7/16
66	532154778		SUB= 154778
70	532134683		SUB= 134683
72	819132012		WASHER 13/32 X 1-1/4 X 12 GA
74	532137057		SUB= 137057
75	532121749		SUB= 121749X
76	812000001		E-RING #5133-75
77	532123583		SUB= 123583X

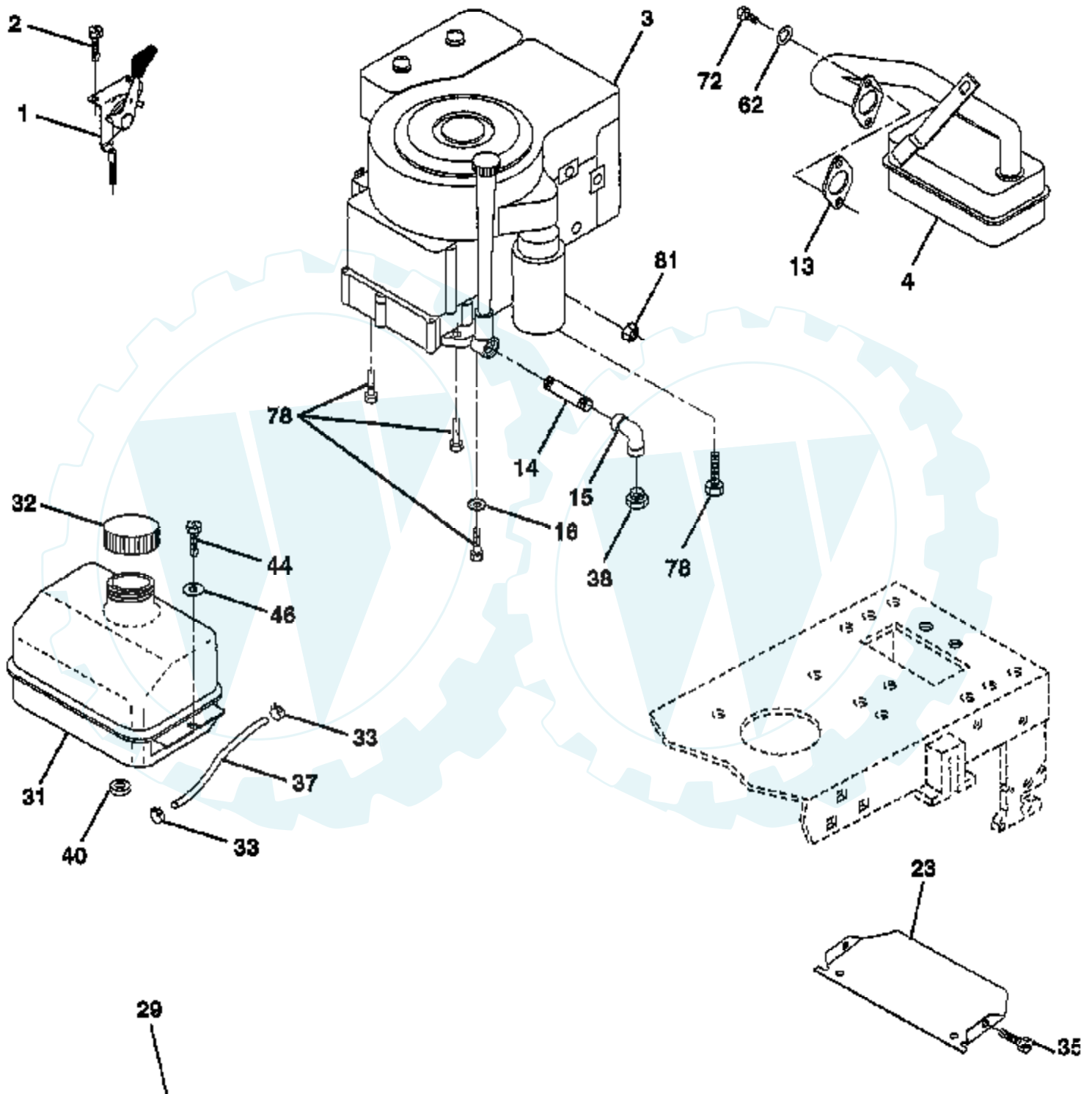
Ref #	Part Number	Qty	Description
78	532121748		SUB= 121748X
79	532125096		SUB= 2228M1
80	532131486		SUB= 131486
81	532156043		SHAFT ASM CROSS
82	532123782		SUB= 123782X
83	819171216		WASHER 17/32 X 3/4 X 16 GA
84	532123793		SUB= 123793X
85	532150360		SUB= 150360
86	532071208		SUB= 71208
87	819212016		WASHER 21/32 X 1-1/4 X 16 GA
88	812000008		RING CLIP #5304-62
89	532139964		SUB= 139964
90	532124346		SUB= 124346X
96	532124788		SUB= 4497H
112	819091210		WASHER 9/32 X 3/4 X 10 GA
113	532127285		SUB= 127285X
116	872110610		BOLT RDHD SQ NECK 3/8-16 X 1.25
118	532154774		SUB= 154774
121	532154419		SUB= 154419



Ref #	Part Number	Qty	Description
1	532144925		SUB= 123899X
2	874760412		BOLT HEX HD 1/4-20 X 3/4
3	819091016		WASHER 9/32 X 5/8 X 16 GA.
4	810040400		WASHER, LOCK 1/4
6	873220400		NUT, HEX 1/4-20
7	532109238		SUB= 109238X
8	532156417		SUB= 156417
9	532109596		SUB= 109596X
15	532147688		SUB= 147688
16	532153664		SUB= 153664
19	810090400		WASHER LOCK 1/4
20	873350400		NUT JAM HEX 1/4-20 UNC
21	532136850		SUB= 136850
22	532004152		SUB= 4152J
24	532124780		SUB= 4799J
25	532146147		SUB= 146147
26	532108824		SUB= 108824X
28	532124773		SUB= 4207J
29	532121305		SUB= 121305X
30	532140301		SUB= 140301
31	532124211		SUB= 124211X
32	532141226		SUB= 141226
33	532122147		SUB= 122147X
40	532156442		SUB= 156442
41	8711110408		BOLT BLK FIN HEX 1/4-20 X 1/2
42	532131563		SUB= 154336
43	532145673		SUB= 146154
44	873640400		NUT KEPS HEX 1/4-20 UNC
48	532140844		SUB= 140844
52	532141940		SUB= 141940
70	532140413		SUB= 140413

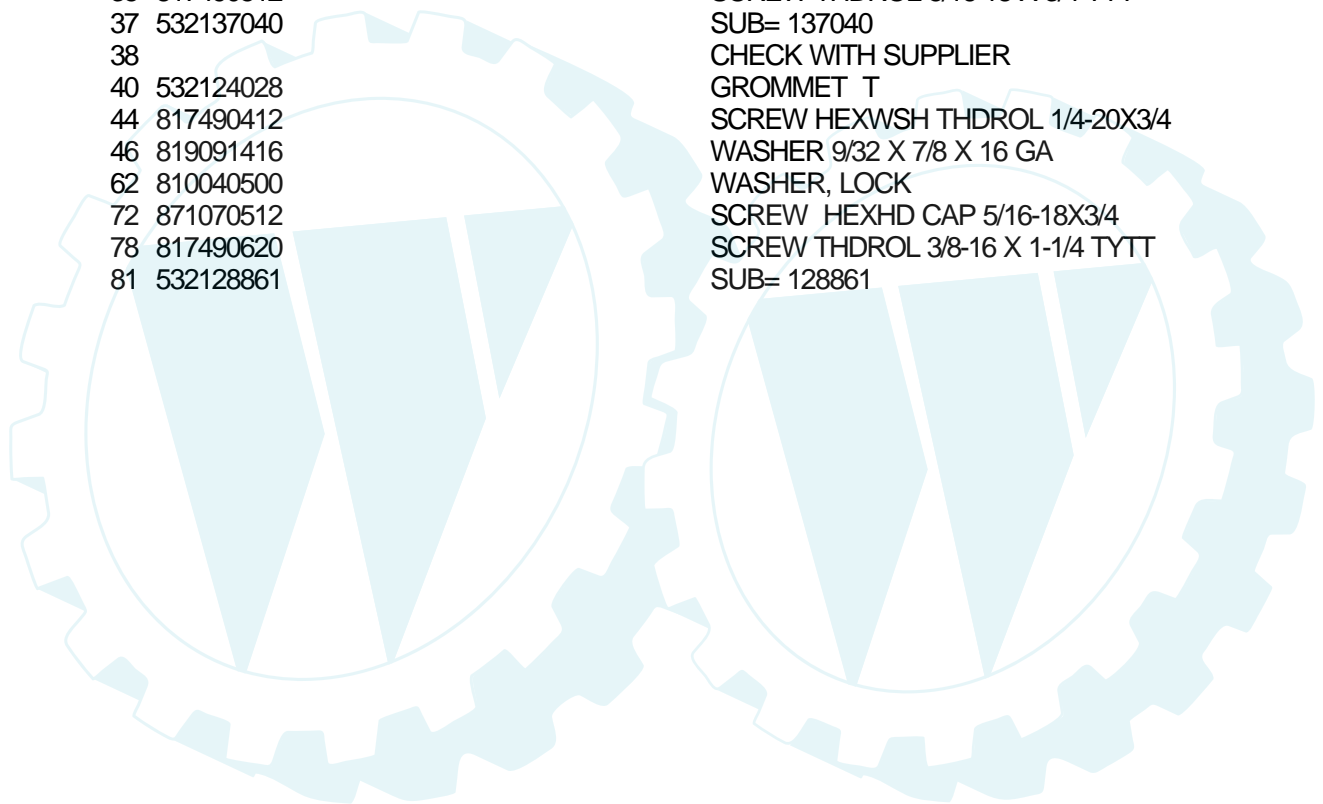
TRACTOR - MODEL NO. LT125 (JC12542A)

ENGINE



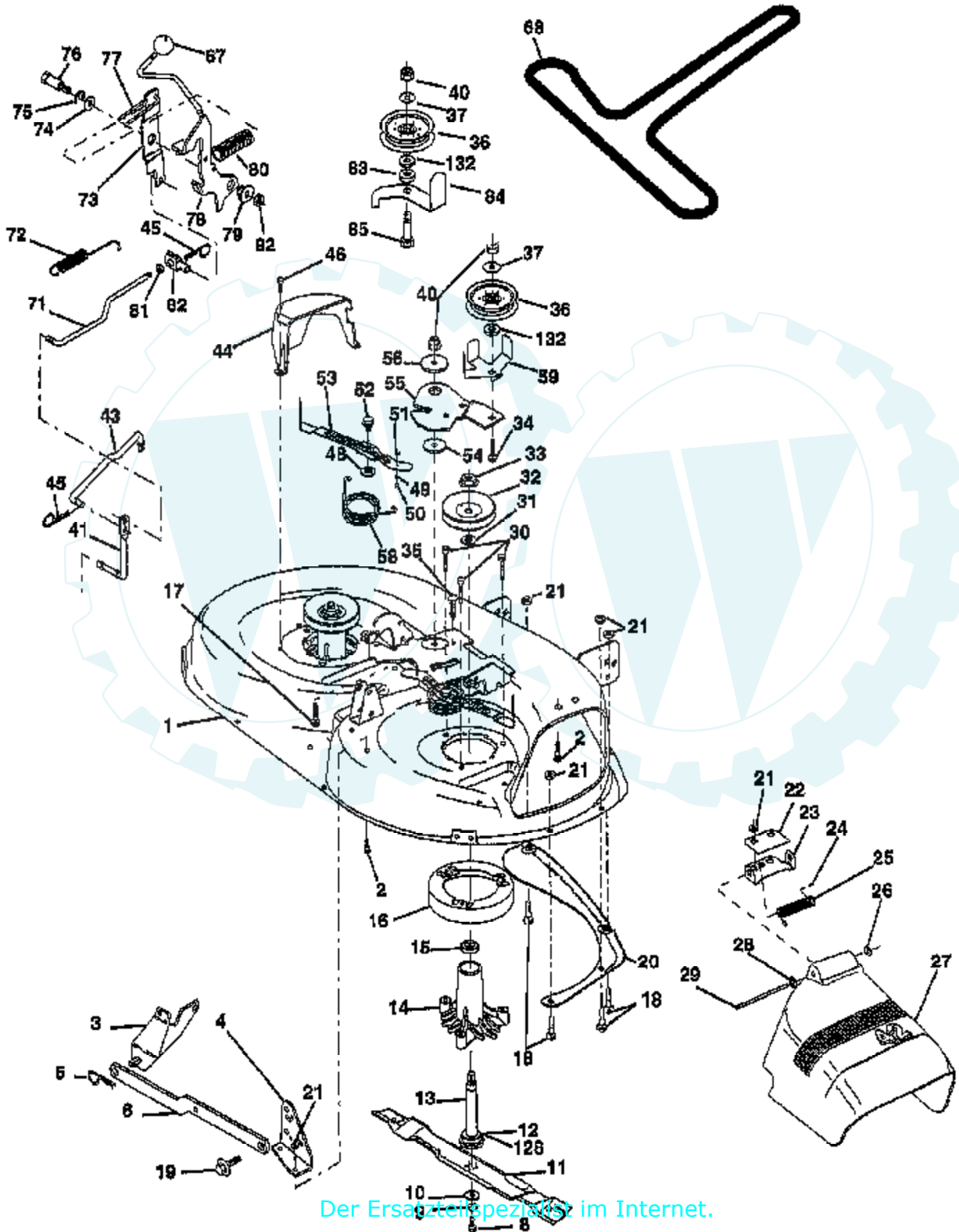
OPTIONAL EQUIPMENT
Spark Arrester

Ref #	Part Number	Qty	Description
1	532140310		SUB= 140310
2	817720410		SCREW HEX THD CUT 1/4-20X5/8 T
3	289707		ENGINE B&S
4	532137348		SUB= 137348
13	532272293		SUB= 272293
14	813280324		NIPPLE PIPE 3/8 NPT X 3"
15	813200300		ELBOW STD 90 DEGREE 3/8-18 NPT
16	811050600		WASHER LOCK
23	532156123		SUB= 156123
29	532137180		KIT.ARREST.SPARK (392-390)
31	532109202		SUB= 109202X
32	532140527		SUB= 140527
33	532123487		SUB= 123487X
35	817490512		SCREW THDROL 5/16-18 X 3/4 TYT
37	532137040		SUB= 137040
38			CHECK WITH SUPPLIER
40	532124028		GROMMET T
44	817490412		SCREW HEXWSH THDROL 1/4-20X3/4
46	819091416		WASHER 9/32 X 7/8 X 16 GA
62	810040500		WASHER, LOCK
72	871070512		SCREW HEXHD CAP 5/16-18X3/4
78	817490620		SCREW THDROL 3/8-16 X 1-1/4 TYTT
81	532128861		SUB= 128861



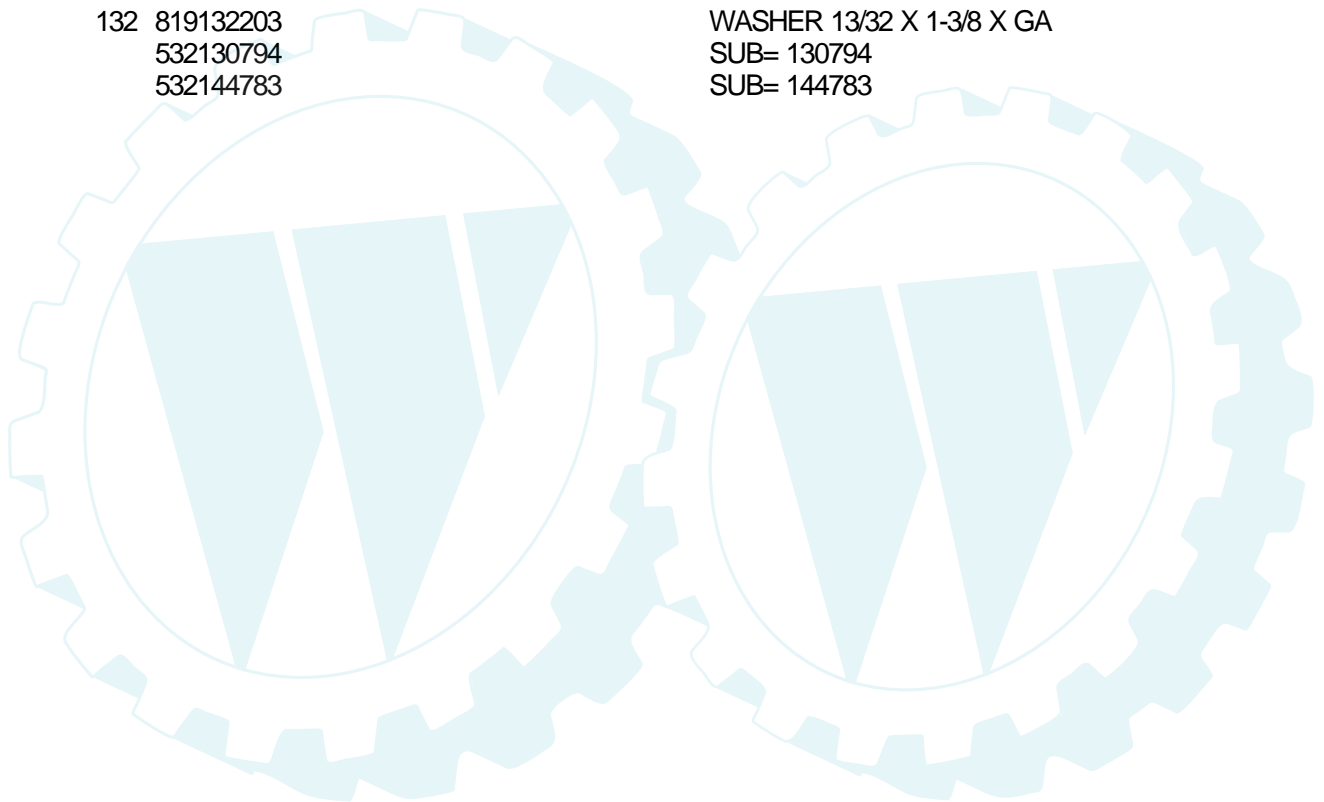
TRACTOR - MODEL NO. LT125 (JC12542A)

MOWER DECK



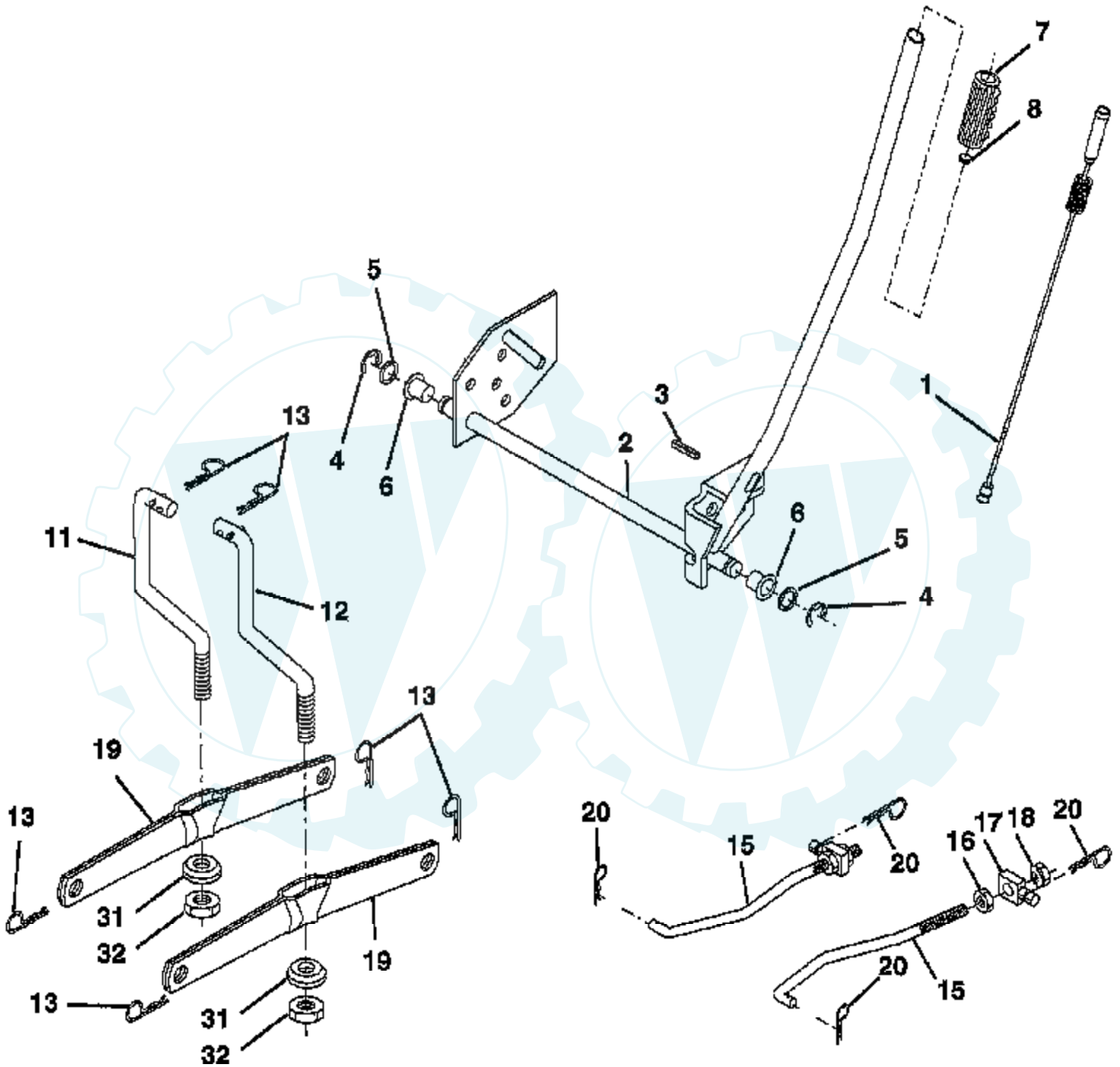
Ref #	Part Number	Qty	Description
1	532144393		SUB= 144393
2	872140506		BOLT, CARRIAGE
3	532138017		SUB= 138017
4	532138440		SUB= 138440
5	532124670		SUB= 85902
6	532130832		SUB= 130833
8	532850857		SUB= 850857
9	810030600		WASHER LOCK HVY 3/8
10	532140296		SUB= 140296
11	532138498		SUB= 138498
12	532129895		SUB= 129895
13	532137645		SUB= 137646
14	532128774		SUB= 128774
15	532110485		SUB= 110485X
16	532140329		SUB= 140329
17	872110610		BOLT RDHD SQ NECK 3/8-16 X 1.25
18	872140505		BOLT RDHD SQNK 5/16-18 X 5/8
19	532132827		SUB= 132827
20	532136888		SUB= 136888
21	873680500		LOCKNUT, CROWN 5/16-18
22	532134753		SUB= 134753
23	532131267		SUB= 131267
24	532105304		SUB= 105304X
25	532123713		SUB= 123713X
26	532110452		SUB= 110452X
27	532130968		SUB= 130968
28	819111016		WASHER 11/32 X 5/8 X 16 GA
29	532131491		SUB= 131491
30	532157722		SUB= 157722
31	532129963		SUB= 129963
32	532153535		SUB= 153535
33	532137266		SUB= 139729
34	872110614		BOLT
35	532133835		SUB= 133835
36	532131494		SUB= 131494
37	819131316		WASHER 13/32 X 13/16 X 16 GA
40	873680600		NUT, CROWNLOCK 3/8-16
41	532133551		SUB= 133551
43	532140083		SUB= 140083
44	532140088		SUB= 140088
45	532124788		SUB= 4497H
46	532137729		SUB= 137729
48	532133944		WASHER HARDENED SMALLER
49	532155066		SUB= 155066
50	532131340		SUB= 131340
51	532069180		SUB= 69180
52	532139888		SUB= 139888
53	532157388		SUB= 131845
54	532133943		SUB= 133943
55	532155046		SUB= 155046
56	532122052		SUB= 122052X
58	532140086		SUB= 140086
59	532141043		SUB= 141043
67	532106932		SUB= 106932X
68	532144200		SUB= 144200
71	532142427		SUB= 142427
72	532131870		SUB= 131870
73	532127847		SUB= 127847

Ref #	Part Number	Qty	Description
74	532121748		SUB= 121748X
75	812000029		RING KLIP #T5304-75
76	532128903		SUB= 128903
77	532127845		SUB= 127845
78	532154809		SUB= 154809
79	532127498		SUB= 127498
80	532153701		SUB= 153701
81	873350600		NUT HEX JAM 3/8-16 UNC
82	532142028		SUB= 142028
83	532120958		SUB= 120958X
84	532156084		SUB= 156084
85	872140618		BOLT RDHD SQ 3/8-16 X 2-1/4
92	873800600		LOCKNUT
128	532153390		SUB= 153390
132	819132203		WASHER 13/32 X 1-3/8 X GA
	532130794		SUB= 130794
	532144783		SUB= 144783

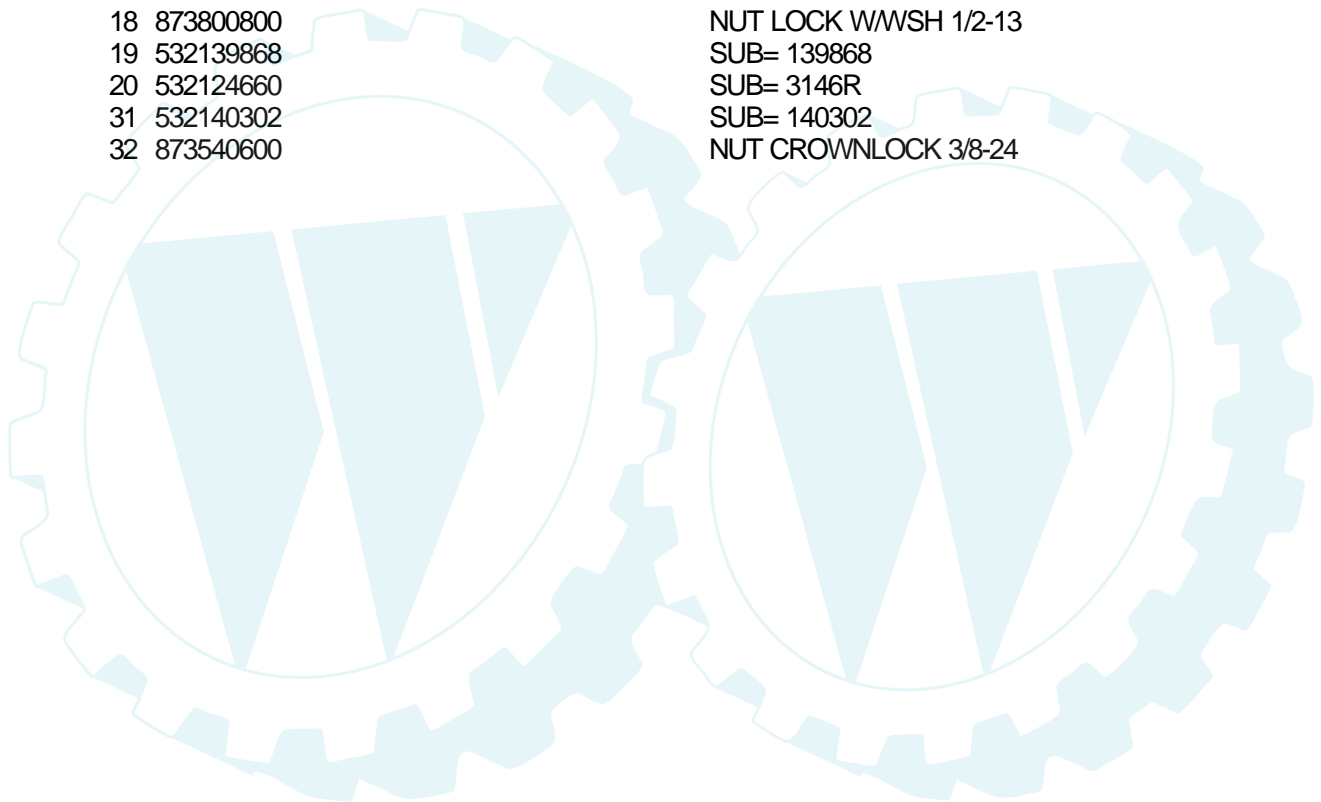


TRACTOR - MODEL NO. LT125 (JC12542A)

MOWER LIFT

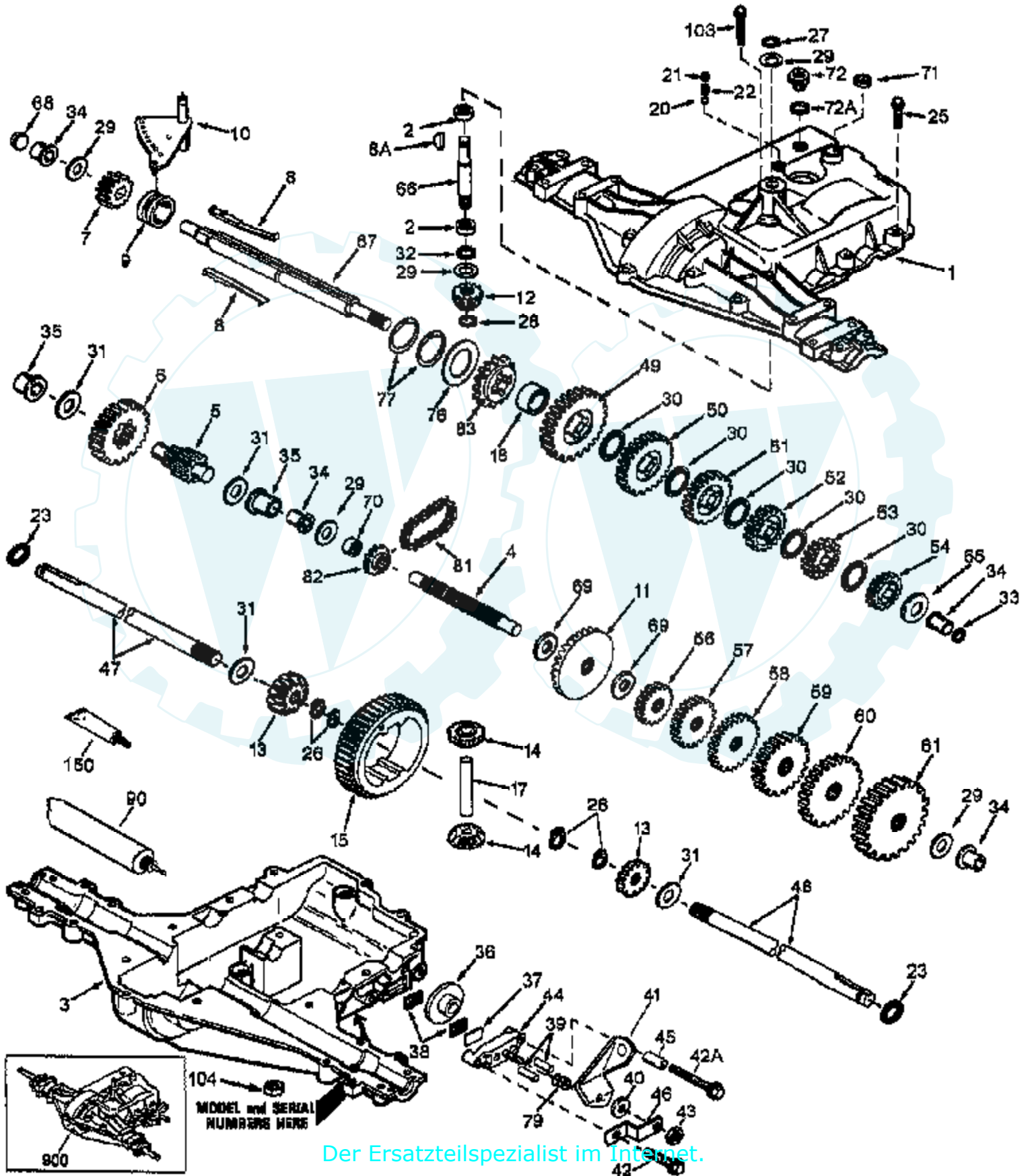


Ref #	Part Number	Qty	Description
1	532159460		SUB= 159460
2	532159471		SUB= 159471
3	532105767		SUB= 105767X
4	812000002		E RING #5133-62
5	819211621		WASHER PLTD 21/32 X 1 X 21 GA
6	532120183		SUB= 120183X
7	532109413		SUB= 109413X
8	532124526		SUB= 125925X
11	532139865		SUB= 145537
12	532139866		SUB= 151140
13	532124670		SUB= 85902
15	532127218		SUB= 127218
16	873350800		NUT JAM HEX 1/2-13
17	532130171		SUB= 130171
18	873800800		NUT LOCK W/WSH 1/2-13
19	532139868		SUB= 139868
20	532124660		SUB= 3146R
31	532140302		SUB= 140302
32	873540600		NUT CROWNLOCK 3/8-24



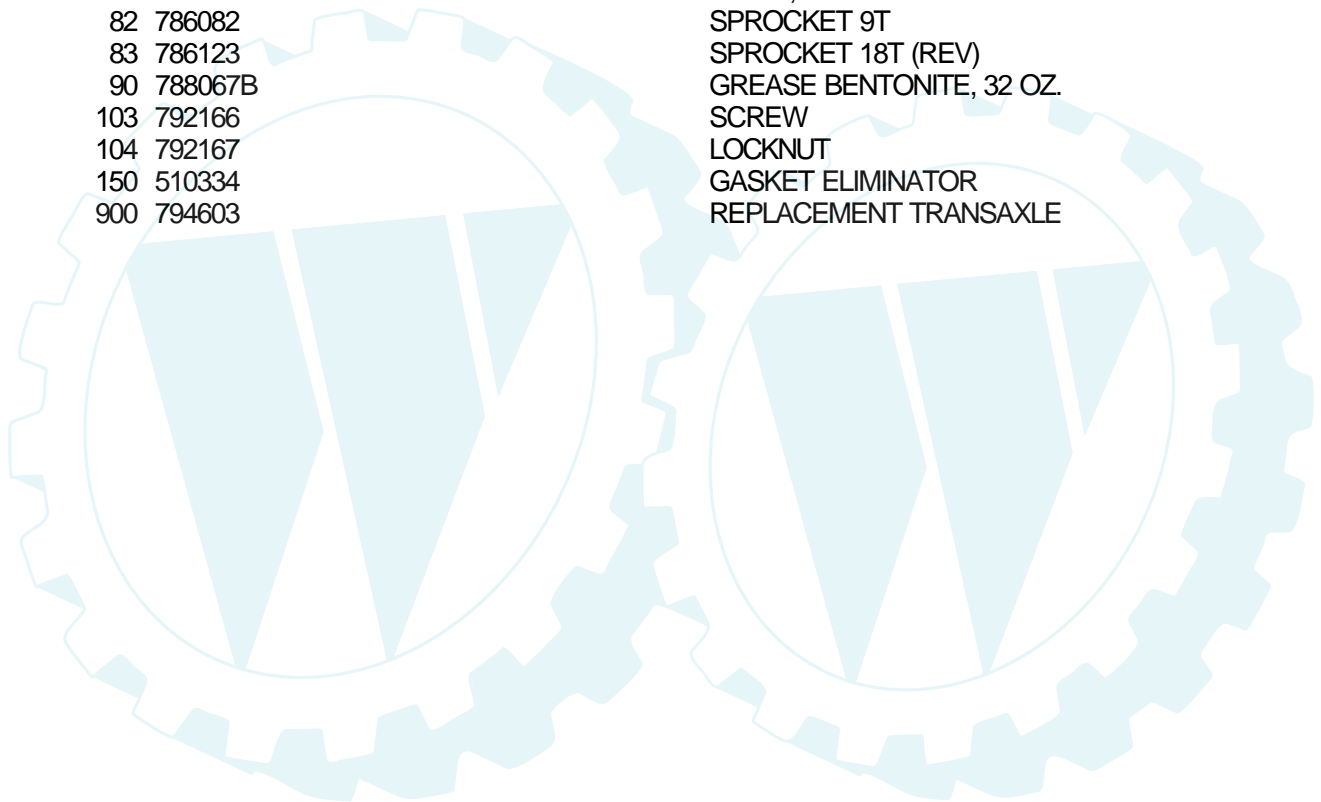
TRACTOR - MODEL NO. LT125 (JC12542A)

PEERLESS TRANSAXLE - MODEL NUMBER 930-055A



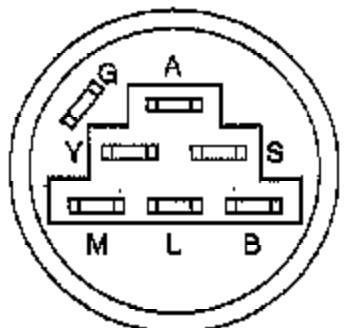
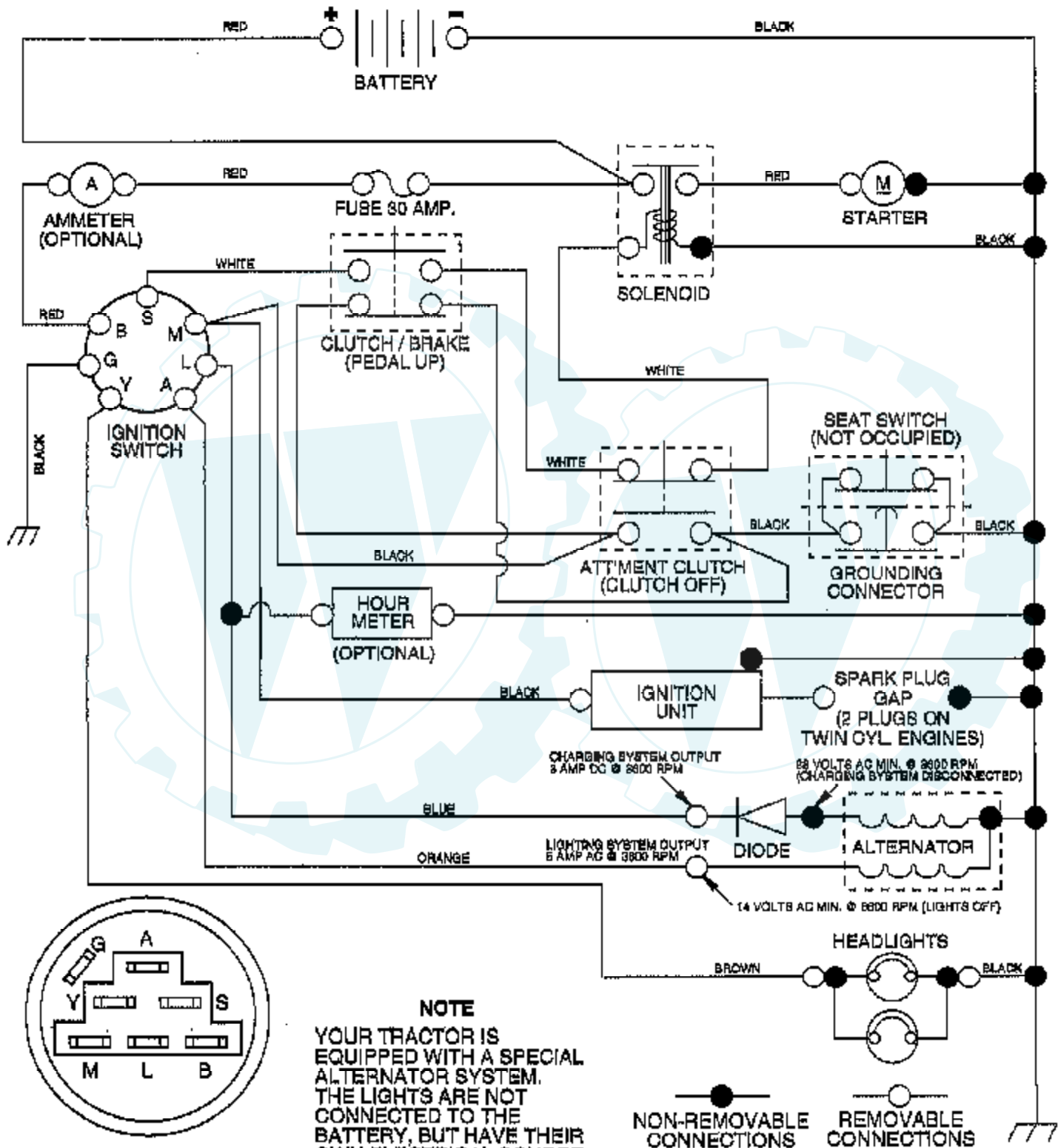
Ref #	Part Number	Qty	Description
1	772108A		TRANSAXLE COVER
2	780086		BEARING, NEEDLE
3	770102A		TRANSAXLE CASE
4	776260		SHAFT, COUNTER
5	776219B		OUTPUT SHAFT AND PINION
6	778139		GEAR, OUTPUT
7	778136		GEAR, SPUR, 15 TEETH
8	792136A		SHIFT KEY
8A	792047		KEY, WOODRUFF
9	784352		COLLAR, SHIFTER
10	784355		ROD & FORK ASSY, SHIFT
11	778229		GEAR, BEVEL, 42 TEETH
12	778113A		BEVEL PINION, INPUT
13	778221		GEAR, BEVEL
14	778068		GEAR, BEVEL, PINION
15	778260		GEAR, RING
17	786139		PIN, DRIVE
18	786102		SPACER, NEUTRAL
20	792077		BALL STEEL, 5/16" DIA.
21	792078		SCREW, 3/8-16 X 3/8"
22	792079		SPRING
23	788061		RING, SEAL
25	792073		SCREW, 1/4-20 X 1-1/4
26	792125		RING RETAINER
27	792035		RING, RETAINER
28	788040		RETAINING RING
29	780072		WASHER THRUST
30	780108		WASHER THRUST
31	780001		WASHER
32	792001		"O" RING
33	788095		SEAL, SQUARE CUT
34	780105A		BUSHING, FLANGED
35	780118A		BUSHING, FLANGED
36	790003		DISK, BRAKE
37	790007		PLATE BRAKE PAD
38	799021		BRAKE PAD
39	786026		PIN DOWEL
40	792076A		WASHER
41	790079		BRAKE LEVER
42	792073		SCREW, 1/4-20 X 1-1/4
42A	792085A		SCREW, 1/4-20 X 2-1/4
43	792075		LOCKNUT 5/16-24
44	790025		HOLDER BRAKE PAD
45	786066		SPACER
46	786086		BRKT BRAKE LEVER
47	774690		AXLE
48	774691		AXLE
49	778215		GEAR, SPUR, 37 TEETH
50	778125		GEAR, SPUR, 35 TEETH
51	778124A		GEAR, SPUR, 30 TEETH
52	778123A		GEAR, SPUR, 25 TEETH
53	778122A		GEAR, SPUR, 22 TEETH
54	778273		GEAR, SPUR, 19T
56	778230		GEAR, SPUR, 12 TEETH
57	778151		GEAR, SPUR, 15 TEETH
58	778126A		GEAR, SPUR, 20 TEETH
59	778127A		GEAR, SPUR, 25 TEETH
60	778128A		GEAR, SPUR, 28 TEETH

Ref #	Part Number	Qty	Description
61	778163		GEAR, SPUR, 31 TEETH
65	780109		WASHER, THRUST
66	776135		SHAFT, INPUT
67	776315A		SHAFT, BRAKE, 4 KEYED
68	786116A		PLUG
69	780051		WASHER THRUST
70	786118		SPACER
71	788069		SEAL SQUARE CUT
72	792165		THREADED PLUG 9/16-18
72A	788091		"O" RING
76	780090		WASHER, THRUST
77	788078A		INVERTED RETAINING RING
79	792144		SPRING
81	786081		CHAIN, ROLLER
82	786082		SPROCKET 9T
83	786123		SPROCKET 18T (REV)
90	788067B		GREASE BENTONITE, 32 OZ.
103	792166		SCREW
104	792167		LOCKNUT
150	510334		GASKET ELIMINATOR
900	794603		REPLACEMENT TRANSAXLE



TRACTOR - MODEL NO. LT125 (JC12542A)

SCHEMATIC



IGNITION SWITCH

POSITION	CIRCUIT	"MAKE"
OFF	G + M + L	NONE
RUN/LIGHT	B + L	A + Y
RUN	S + L	NONE
START	B + L + S	NONE

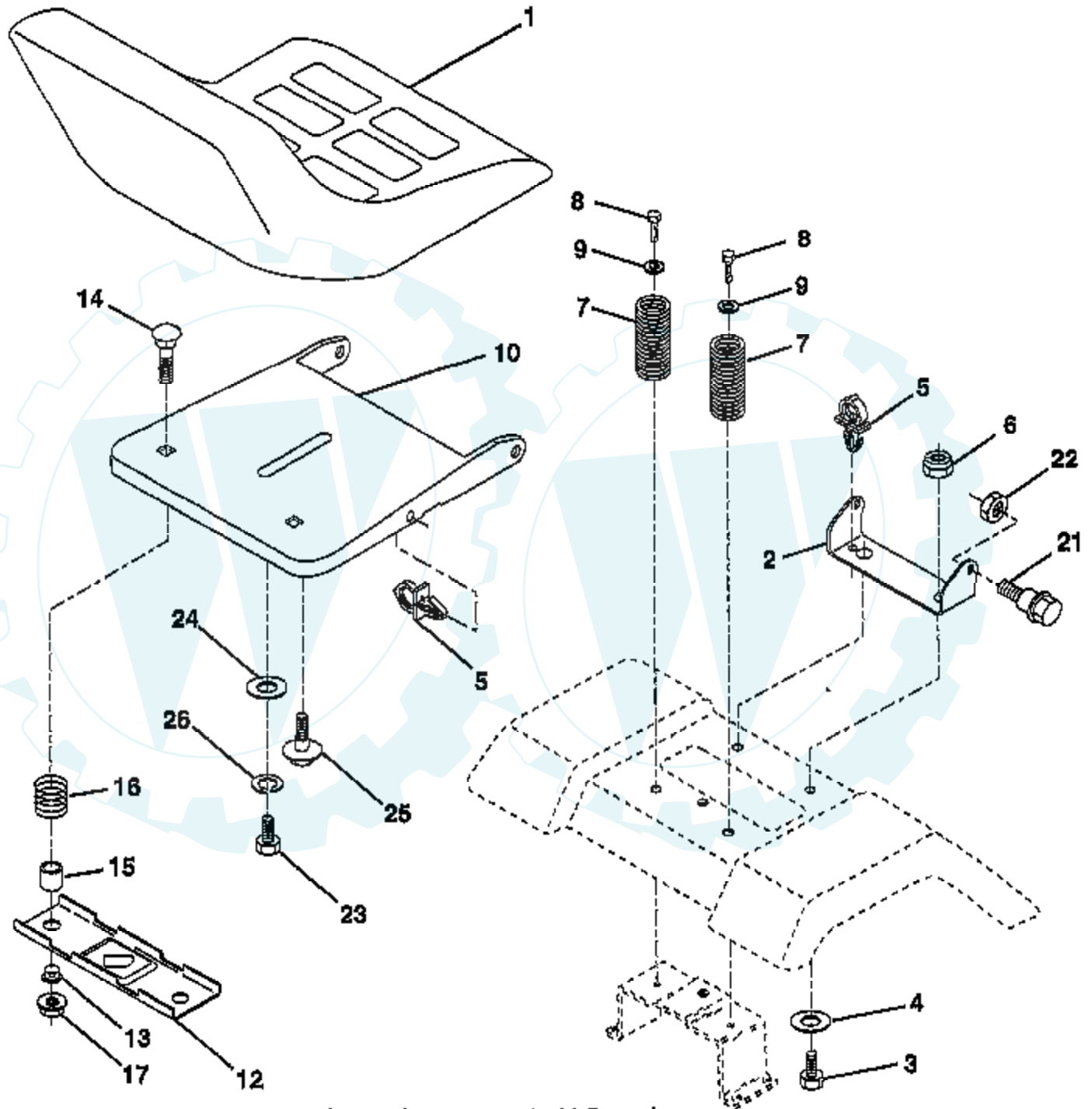
NOTE
YOUR TRACTOR IS EQUIPPED WITH A SPECIAL ALTERNATOR SYSTEM. THE LIGHTS ARE NOT CONNECTED TO THE BATTERY, BUT HAVE THEIR OWN ELECTRICAL SOURCE. BECAUSE OF THIS, THE BRIGHTNESS OF THE LIGHTS WILL CHANGE WITH ENGINE SPEED. AT IDLE THE LIGHTS WILL DIM, AS THE ENGINE IS SPEEDED UP, THE LIGHTS WILL BECOME THEIR BRIGHTEST.

NON-REMOVABLE CONNECTIONS REMOVABLE CONNECTIONS

WIRING INSULATED CLIPS
NOTE: IF WIRING INSULATED CLIPS WERE REMOVED FOR SERVICING OF UNIT, THEY SHOULD BE REPLACED TO PROPERLY SECURE YOUR WIRING.

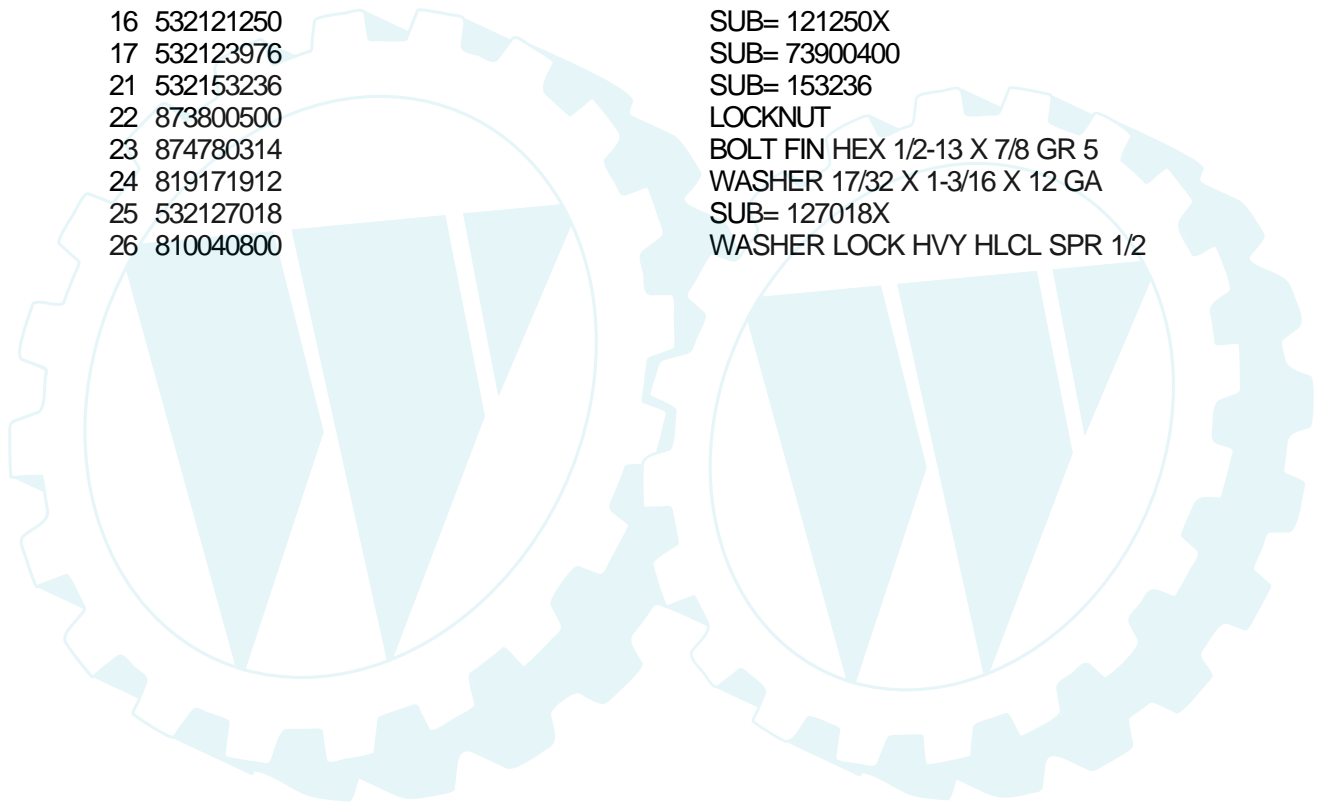
TRACTOR - MODEL NO. LT125 (JC12542A)

SEAT ASSEMBLY



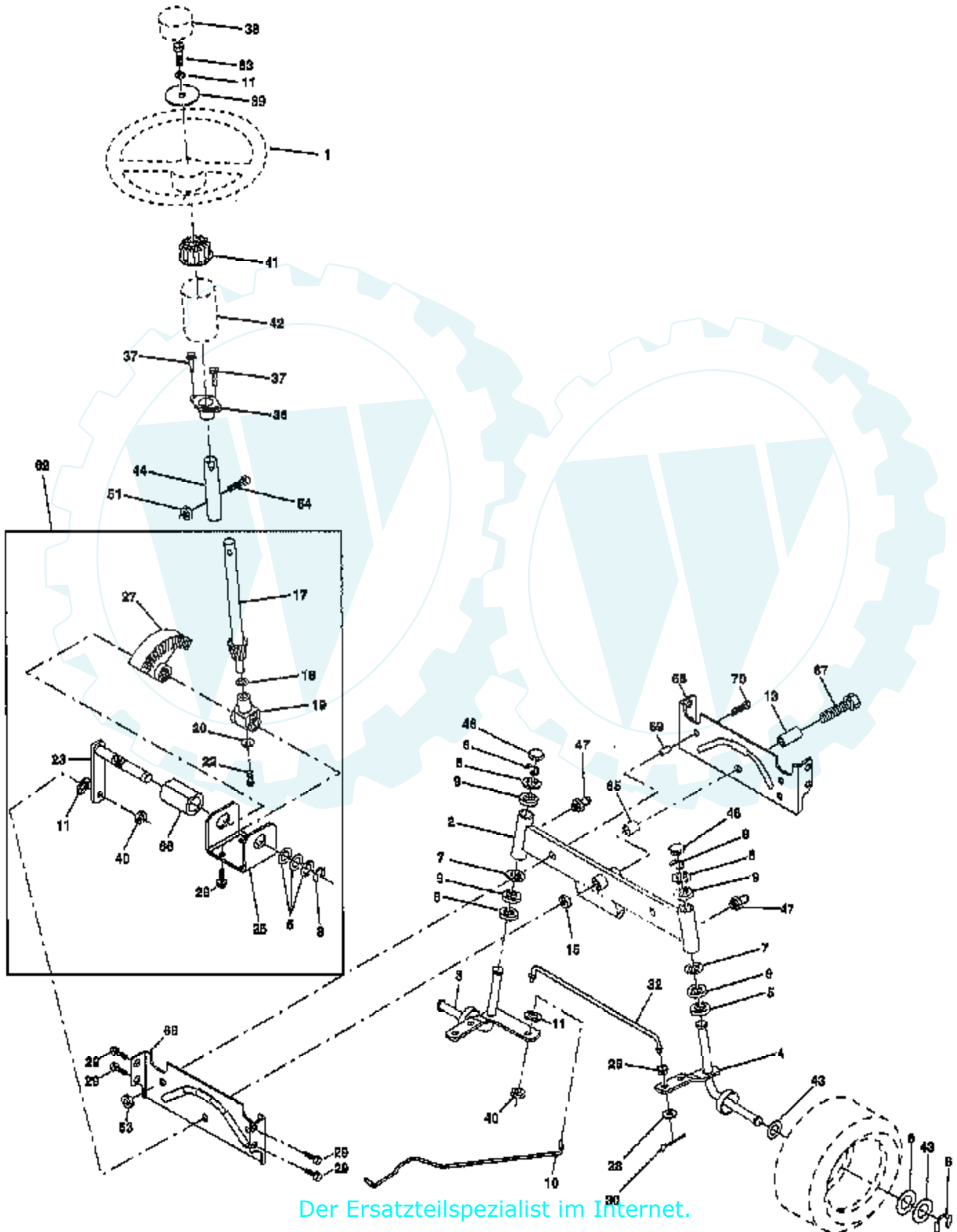
NOTE: All component dimensions given in U.S. inches.
1 inch = 25.4 mm

Ref #	Part Number	Qty	Description
1	532127426		SUB= 140119
2	532140551		SUB= 140551
3	874760616		BOLT FIN HEX 3/8-16 X 1
4	819131610		WASHER 13/32 X 1 X 10 GA
5	532145006		SUB= 145006
6	873800600		LOCKNUT
7	532124181		SUB= 124181X
8	817490616		SCREW THDROL 3/8-16 X 1 TY-TT
9	819131614		WASHER 13/32 X 1 X 14 GA
10	532155925		SUB= 155925
12	532121246		SUB= 121246X
13	532121248		SUB= 121248X
14	872050411		BOLT RDHD SQNK 1/4-20X 1-3/8
15	532134300		SUB= 134300
16	532121250		SUB= 121250X
17	532123976		SUB= 73900400
21	532153236		SUB= 153236
22	873800500		LOCKNUT
23	874780314		BOLT FIN HEX 1/2-13 X 7/8 GR 5
24	819171912		WASHER 17/32 X 1-3/16 X 12 GA
25	532127018		SUB= 127018X
26	810040800		WASHER LOCK HVY HLCL SPR 1/2



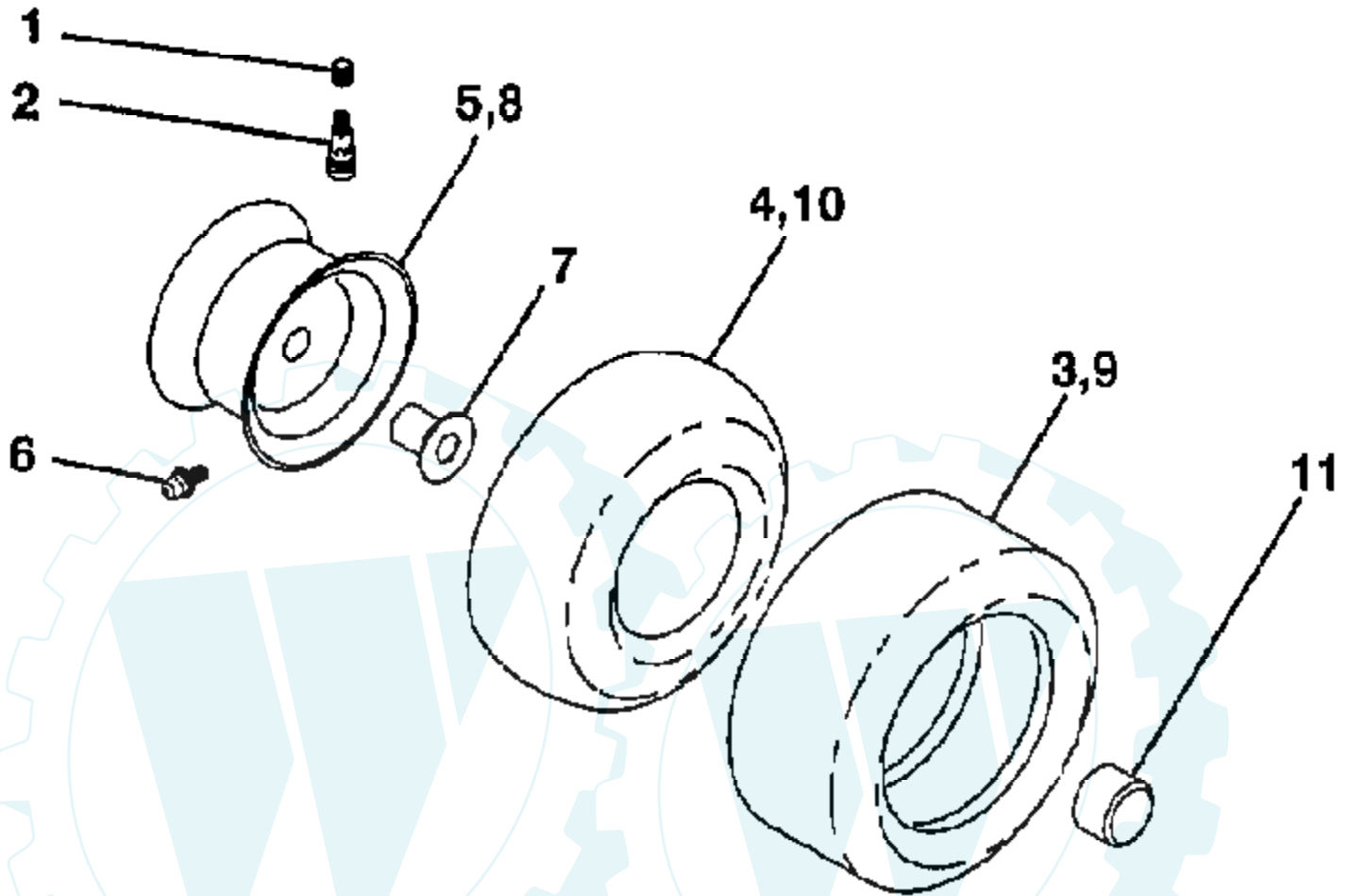
TRACTOR - MODEL NO. LT125 (JC12542A)

STEERING ASSEMBLY



Ref #	Part Number	Qty	Description
1	532140044		SUB= 140044
2	532154427		SUB= 154427
3	532156483		SUB= 156483
4	532157473		SUB= 157473
5	532124931		SUB= 6266H
6	532121748		SUB= 121748X
7	819272016		WASHER 27/32 X 1-1/4 X 16 GA
8	812000029		RING KLIP #T5304-75
9	532124937		SUB= 3366R
10	532156438		SUB= 156438
11	810040600		WASHER LOCK HVY HLCL SPR 3/8
13	532154779		SUB= 154779
15	873901000		NUT LOCK FLANGE 5/8-11
17	532156546		SUB= 156546
18	532057079		SUB= 57079
19	532124035		SUB= 124035X
20	532126684		WASHER T
22	871200410		SCREW HEX SOCKET 1/4-20 X 5/8
23	532127501		SUB= 156365
25	532154406		SUB= 154406
26	532126847		SUB= 126847X
27	532136874		SUB= 136874
28	819131416		WASHER
29	817490612		SCREW THDROL 3/8-16X3/4 TY-TT
30	876020412		PIN COTTER 1/8 X 3/4 CAD
32	532130465		SUB= 130465
36	532155099		SUB= 155099
37	532152927		SUB= 152927
38	532140045		SUB= 140045
39	819133808		WASHER 13/32 X 2-3/8 X 8 GA
40	532124701		SUB= 7810H
41	532100711		SUB= 100711L
42	532145054		SUB= 145054
43	532121749		SUB= 121749X
44	532153720		SUB= 153720
46	532121232		SUB= 121232X
47	532124836		SUB= 6855M
51	873800500		LOCKNUT
53	873680600		NUT, CROWNLOCK 3/8-16
54	874780520		BOLT FIN HEX 5/16-18 UNC X 1-1/4
62	532156594		SUB= 156594
63	874780616		BOLT FIN HEX 3/8-16 X 1
65	532154780		SUB= 154780
66	532154404		SUB= 154404
67	874781044		BOLT FIN HEX 5/8-11 X 2-3/4
68	532154429		SUB= 154429
69	532160367		SUB= 160367
70	874780636		BOLT FIN HEX 3/8-16 X 2-1/4

WHEELS AND TIRES



NOTE: All component dimensions given in U.S. inches
1 inch = 25.4 mm

Ref #	Part Number	Qty	Description
1	532059192		SUB= 59192
2	532065139		SUB= 65139
3	532106222		SUB= 122073X
4	532059904		SUB= 59904
5	532138336		SUB= 106732X417
6	532124957		SUB= 278H
7	532124959		SUB= 9040H
8	532138337		SUB= 106108X417
9	532124635		SUB= 126957X
10	532124926		SUB= 7152J
11	532104757		SUB= 104757X
	532144334		SUB= 144334

