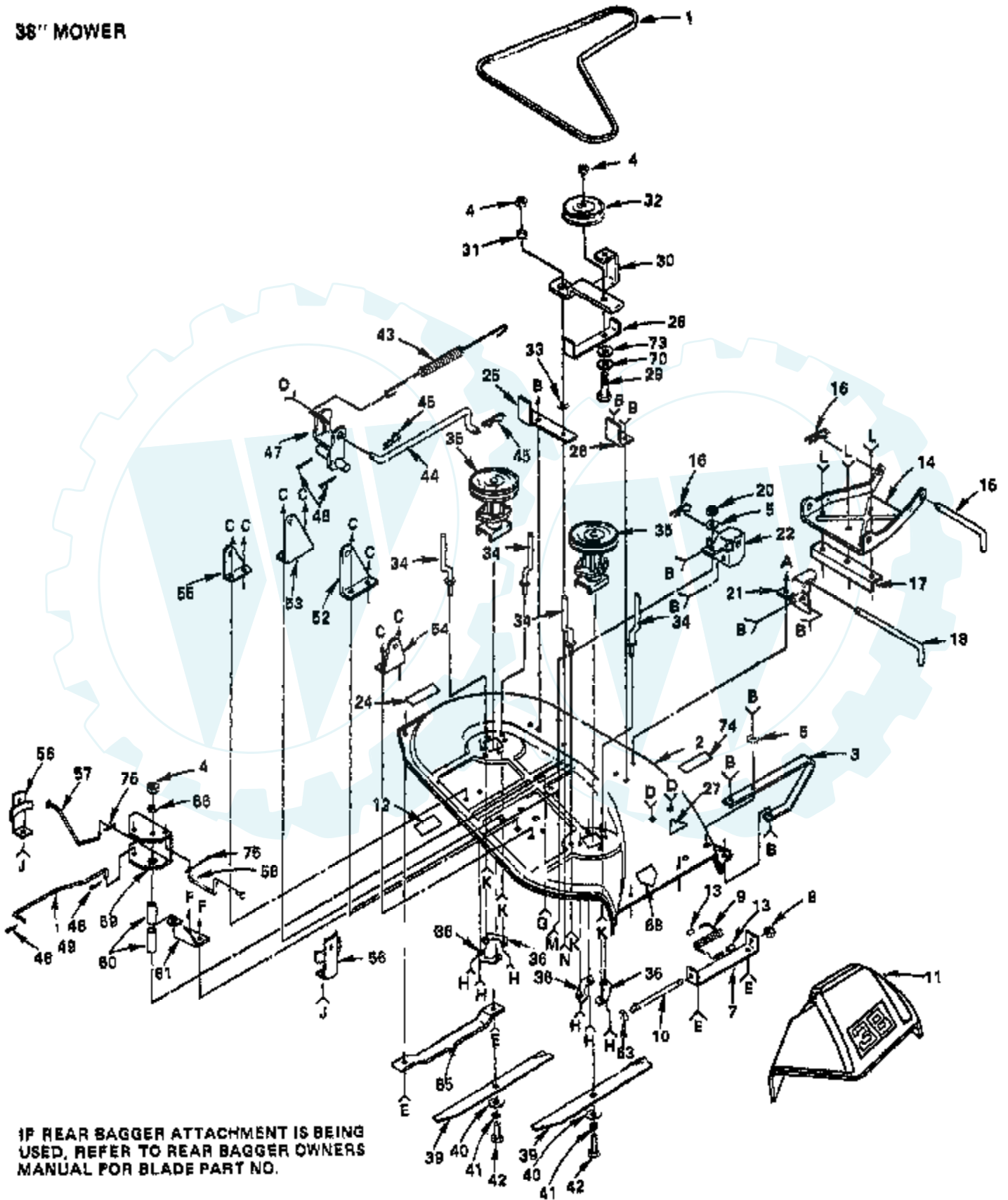


### ROPER LAWN TRACTOR--MODEL NUMBER LT110FR

38" MOWER



IF REAR BAGGER ATTACHMENT IS BEING USED, REFER TO REAR BAGGER OWNERS MANUAL FOR BLADE PART NO.

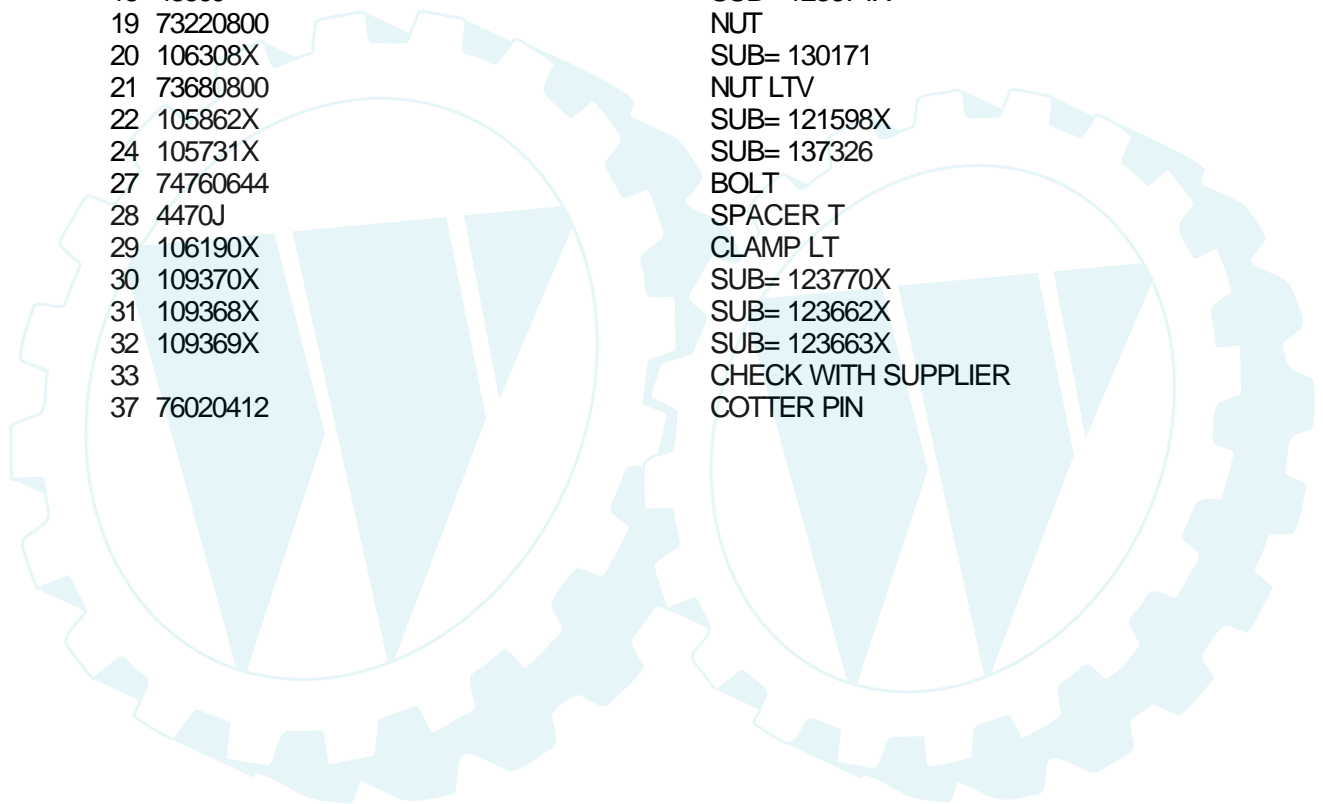
Ref #	Part Number	Qty	Description
1	106085X		BELT-V.79.1.MWR
2	105689X		SUB= 144725
3	8417J		SUB= 128772
4	73680600		SUB= 73690600
5	19111216		WASHER M
7	105896X		SUB= 137607
8	5846R		SUB= 110452X
9	106734X		SUB= 123713X
10	106735X		ROD-HINGE T
11	106736X		DEFLECTOR-SHLD T
12	105814X		DECAL.LT
13			CHECK WITH SUPPLIER
14	105662X		LINK.PARALLEL
15	105744X		"ROD, FRT. PARAL T"
16	3146R		RETAINER.SPRING
17	105872X		LINK STOP
18	105743X		SUB= 109835X
20	73680500		SUB= 73690500
21	105659X		SUB= 110095X
22	105660X		SUB= 109597X
24	3713J		DECAL INSTRUCTION CAUTION
25	106295X		SUB= 109503X
26	105850X		SUB= 109504X
27	106975X		DECAL - SAFETY STANDARD
28	106461X		SUB= 126756X
29	74760632		SUB= 74930632
30	108832X		SUB= 127163X
31	106902X		SPACER RETAINER
32	102403X		IDLER-FLAT T
33	106513X		"WASHER, WEAR LT"
34	102669X		BELT KEEPER LT
35	105891X		SUB= 121687X
36	100668L		SUPPORT PLATE LT
39	106634X		SUB= 25036
40	19132012		WASHER
41	10030600		SUB= 10040600
42	74610624		BOLT.3/8-24X1-1/2
43	108250X		SPRING LT
44	108235X		ROD LT
45			CHECK WITH SUPPLIER
46	76020312		SUB= 3145
47	109892X		ROCKSHAFT T
48	76020616		SUB= 76020624
49	108247X		ROD BRAKE LT
52	108243X		BRACKET LT
53	108241X		BRACKET LT
54	105857X		"BRKT,SUSP RH T"
55	108673X		"BRKT,SUSP REAR LH"
56	106578X		BRAKE LT
57	106463X		"ROD, BRAKE LH LT"
58	108249X		ROD BRAKE LT
59	106456X		"BRK,BRAKE,PVT LT"
60	100672K		SPACER BRAKE LTV
61	100673L		BRACKET SUPT LTV
63	19111016		WASHER
65	7631J		RUNNER-LH M
66	19131614		WASHER
68	78850		SUB= 85463

Ref #	Part Number	Qty	Description
70	19131316		WASHER
73	19132012		WASHER
74	106679X		DECAL.WARNING.T
75	76020308		SUB= 3145





Ref #	Part Number	Qty	Description
1	109070X		BELT KEEPER LT
2	108236X		BRACKET LT
4	105730X		"KEEPER,BLT ENG LT"
5	105732X		SUB= 125907X
6	19131312		WASHER
7	105864X		"BRACKET, SUSPE T"
8	106444X		"BRKT,BELLCRAN T"
9	108451X		ROD ASSEM YT
10	19131410		WASHER
12	109728X		"T, BELLCRANK"
15	19171416		WASHER
16	105863X		SUB= 121599X
17	9135R		SPRING H
18	4859J		SUB= 123674X
19	73220800		NUT
20	106308X		SUB= 130171
21	73680800		NUT LTV
22	105862X		SUB= 121598X
24	105731X		SUB= 137326
27	74760644		BOLT
28	4470J		SPACER T
29	106190X		CLAMP LT
30	109370X		SUB= 123770X
31	109368X		SUB= 123662X
32	109369X		SUB= 123663X
33			CHECK WITH SUPPLIER
37	76020412		COTTER PIN

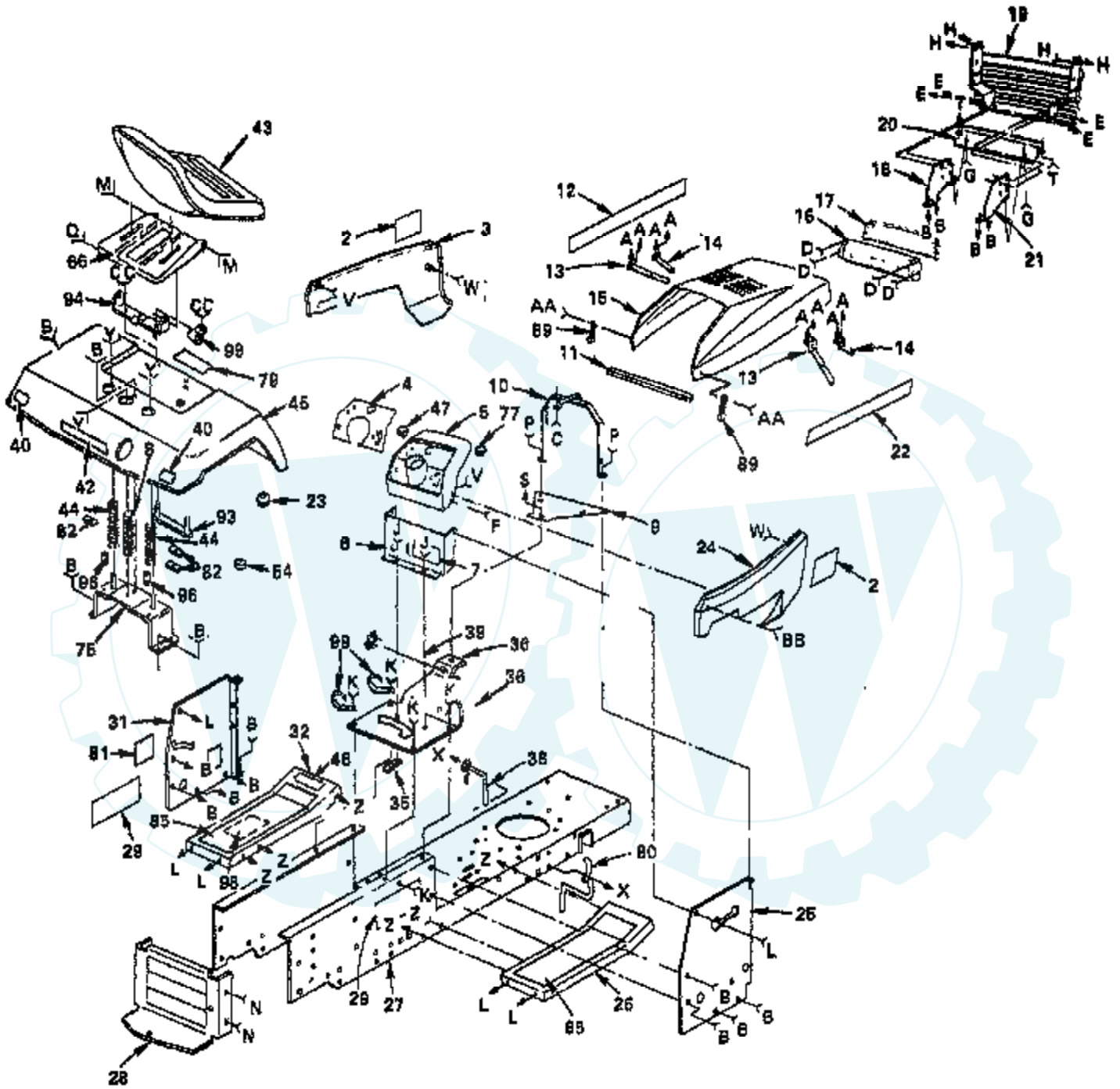




Ref #	Part Number	Qty	Description
1	73490400		SUB= 146525
2	19091016		WASHER
3	105371X		SUB= 150109
4	72240460		BOLT
5	104922X		SUB= 123888X
6	105372X		"TRAY, BATTERY LT"
7	109439X		NLA
10	7661J		HARNESS T
11	7662J		SUB= 4152J
12	100541K		SUB= 7697J
13	7192J		WIRE TIE
14	7755R		SWITCH T
15	2957J		"CABLE T, BATTERY"
16	4406R		SUB= STD365402
17	109787X		SUB= 147626
18	109788X		SUB= 124211X
19	109434X		KEY MOLDED
20	109081X		SUB= 146154
21	105381X		SUB= 110712X
22	73680400		SUB= 73690400
23	7320R		NUT
24	5907J		SUB= 597J
25	19151116		WASHER
26	719J		SUB= 154336
27	2955J		CABLE ASSY LT
28	109869X		SWITCH T
29	73951000		"NUT,KEPS"
30	17541208		NLA
31	2751R		CLIP T
32	109596X		HOSE CLAMP T
33	10090400		SUB= 10040400
34	73350400		NUT
35	74780408		BOLT
36	73510400		NUT
37			CHECK WITH SUPPLIER
39	73220400		SUB= 50675
40	11050400		LOCKWASHER
43	10040400		LOCKWASHER
45	6374R		FUSE-30 AMP
46	9433R		AMMETER T
47	6009J		SUB= 532131708
48	6952J		SUB= 10071000
49	6953J		NLA
50	6951J		NLA
51	102501X		SUB= 141940
52	235R		CLIPT
53	11030400		LOCKWASHER GT
54	104445X		SWITCH-INTER. GT
55	71031008		SCREW
	101539X		SHEET INSTR LT
	110023X		OWNER'S MANUAL

### ROPER LAWN TRACTOR--MODEL NUMBER LT110FR

#### ENCLOSURES



- |    |    |    |    |    |    |    |    |    |    |    |    |    |    |    |    |    |    |    |
|----|----|----|----|----|----|----|----|----|----|----|----|----|----|----|----|----|----|----|
| A  | B  | C  | D  | E  | F  | G  | H  | J  | K  | L  | M  | N  | P  | Q  | R  | S  | T  | V  |
| 48 | 48 | 37 | 48 | 55 | 83 | 83 | 59 | 80 | 76 | 85 | 50 | 67 | 65 | 50 | 72 | 73 | 78 | 37 |
| 48 | 57 | 48 | 56 | 82 | 82 | 83 | 80 | 82 | 34 | 85 | 95 | 67 | 65 | 50 | 72 | 74 | 37 | 40 |
|    |    |    |    | 82 | 51 |    |    |    |    | 51 | 34 |    | 64 | 70 |    |    |    |    |
|    |    |    |    | 62 |    |    |    |    |    | 62 |    |    | 71 |    |    |    |    |    |



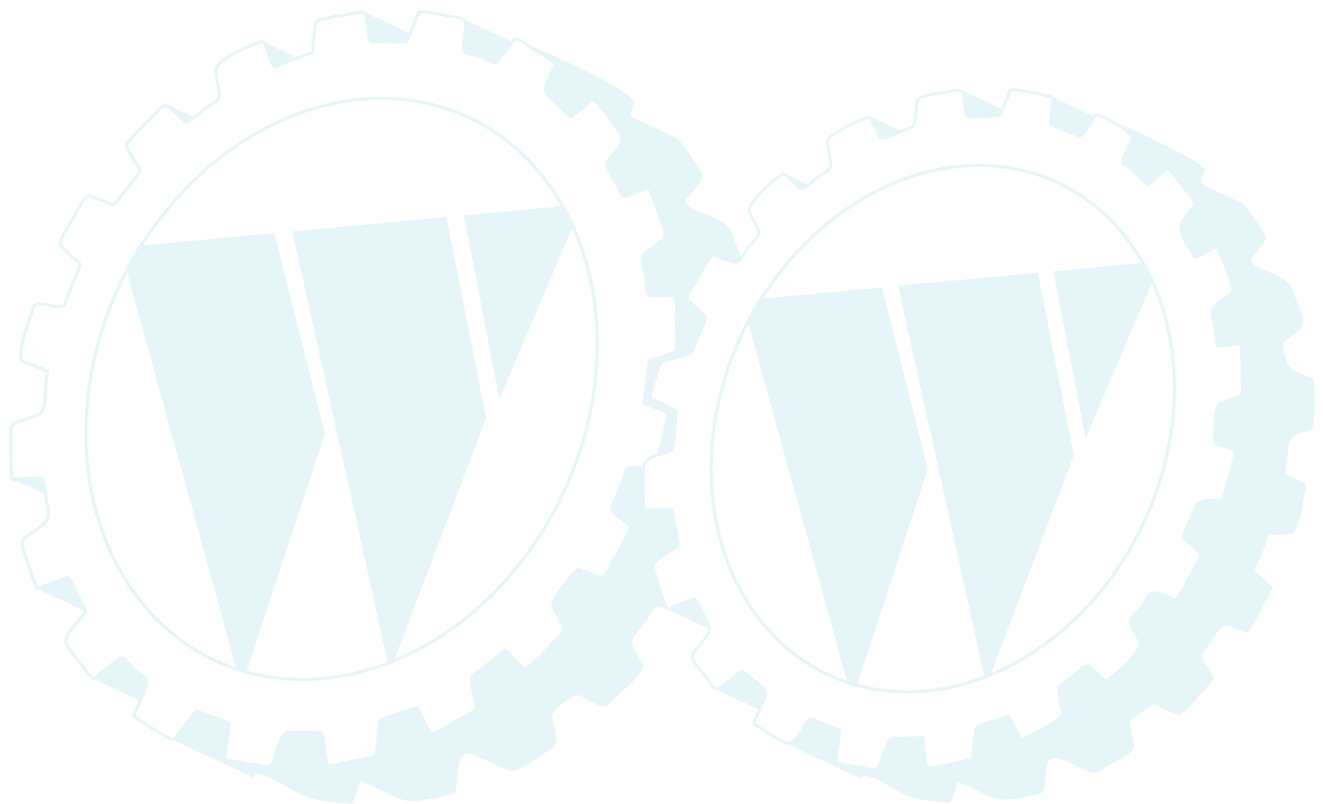
Ref #	Part Number	Qty	Description
1	10040400		LOCKWASHER
2	108563X		NLA
3	108442X367		SUB= 132637X505
4	105414X		NLA
5	108679X		DASHBOARD T
6	104783X		DASH ASSY LT
7	108456X		SUB= 138955
8	109867X		SPRING T
9	106965X		SUB= 140181
10	104786X		SUPPORT ASSY LT
11	105037X		FOAM-STRIP LT
12	104643X		NLA
13	106784X		SUB= 155013
14	104618X		SUB= 155013
15	108370X367		SUB= 150301X505
16	104613X		SUB= 147717
17	106395X		LENS LT
18	104632X		SUPPORT-GRILL LT
19	104801X		NLA
20	104634X367		SUB= 105419X388
21	104633X		NLA
22	104644X		NLA
23	109641X		GROMMET T
24	108443X358		SUB= 132636X505
25	106976X		PANEL DASH RH YT
26	105464X367		SUB= 145243X505
27	109512X		CHASSIS T
28	102481X		SUB= 145009
29	104808X		NLA
31	106966X		PANEL DASH HYT
32	105465X367		SUB= 145244X428
34	73680500		SUB= 73690500
36	108263X		SUB= 108263X012
37	19091216		WASHER PM
38	106301X		SUB= 121440X
39	1554J		SUB= 155108
40	106202X		REFLECTOR-TAIL YT
42	104810X		NLA
43	110056X		SUB= 110057X
44	105512X		SPRING LT
45	109640X367		SUB= 109640X388
46	4900J		DECAL T
47	8022J		PLUG-DASH T
48	10090400		SUB= 10040400
49	73220400		SUB= 50675
50	74760612		SUB= 74780612
51	19131312		WASHER
52	73680600		SUB= 73690600
53	74760616		BOLT
54			CHECK WITH SUPPLIER
55	17211010		SCREW LT
56	104755X		""""J"" FASTENER LT"
57	17490612		SCREW
59	17490512		SCREW
60	7605J		BOLT T
62	73680400		SUB= 73690400
63	74760620		SUB= 74780620
64	73510600		NUT

Ref #	Part Number	Qty	Description
65	17490608		SCREW LT
66	109866X		SEAT PAN T
67	17490612		SCREW
69	74780816		BOLT
70	10040600		LOCKWASHER
71	19131212		WASHER T
72	17431008		SUB= 98000165
73	74780512		BOLT
74	73510500		NUT
75	105509X		SUB= 137113
76	74180512		SCREW
77	5479J		PLUG BUTTON T
78	17490412		SCREW HEX CRT
79	106974X		SUB= 133796
80	106300X		SUB= 121441X
81	105505X		SUB= 121794X
82	105514X		"CLAMP, SPRING LT"
85	109864X		SUB= 108256X
89	100225L		SUB= 109808X
93	105511X		SUB= 140675
94	109871X		BRKT.ASM.SEAT.P
95	105529X		SUB= 139888
96	105531X		NUT-PUSH YT
98	109199X		SUB= 146046
99	2751R		CLIP T

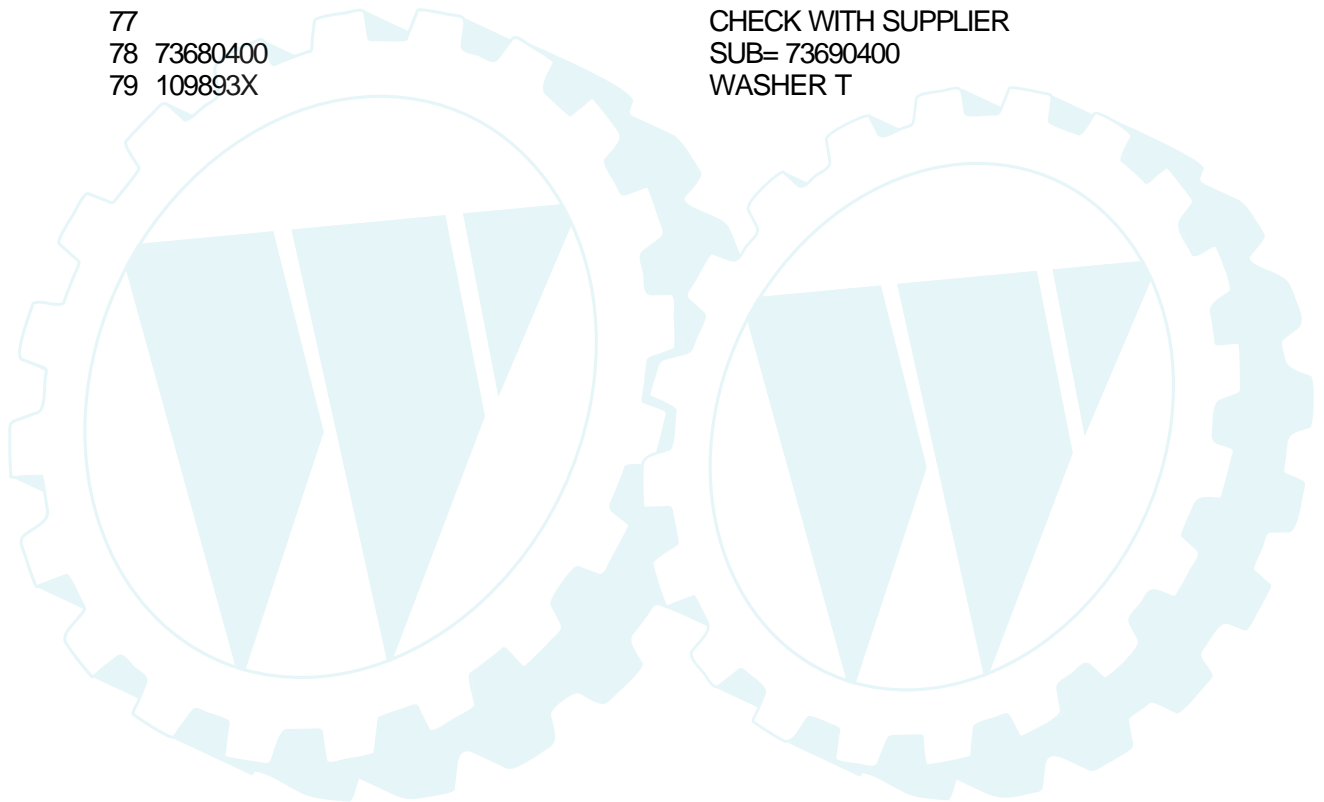
### ROPER LAWN TRACTOR--MODEL NUMBER LT110FR

#### 38" MOWER

A	B	C	D	E	F	G	H	J	K	L	M	N	O
23	23	5C	72	6	78	64	37	38	4	19	23	67	77
5	20	4	71	20	20			4		4			79
20			4	20									78

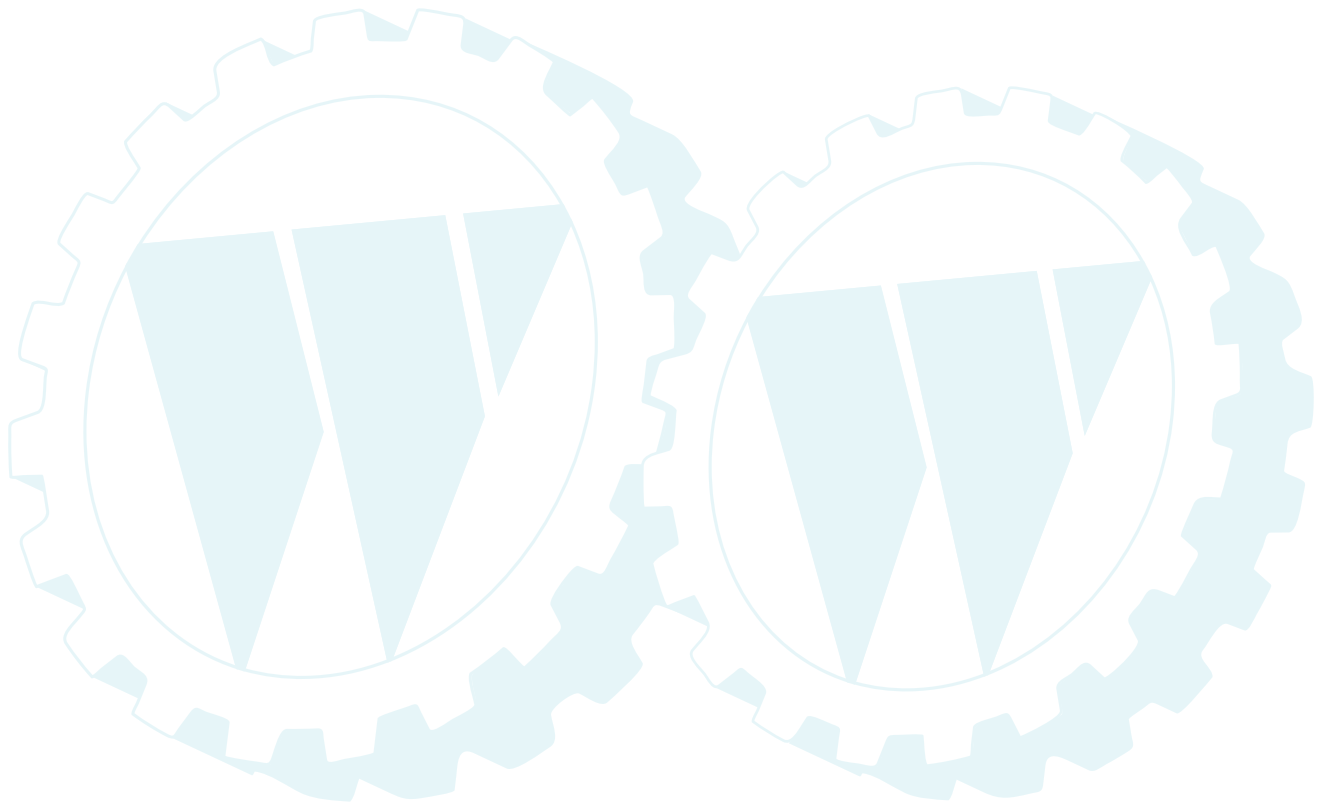
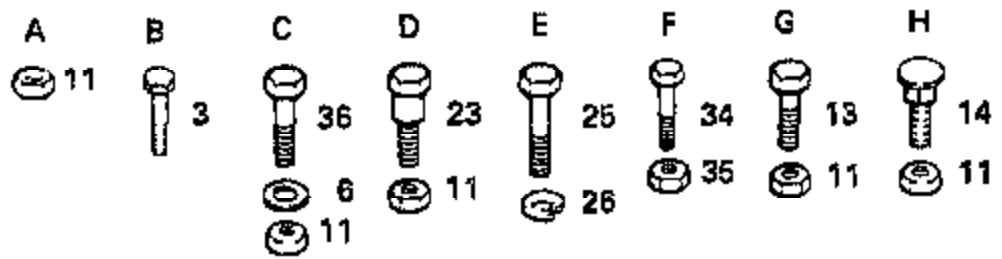


Ref #	Part Number	Qty	Description
4	73680600		SUB= 73690600
5	19111216		WASHER M
6	72140505		BOLT
19	74760612		SUB= 74780612
20	73680500		SUB= 73690500
23	72140506		BOLT
37	17490612		SCREW
38	17490620		SCREW
50	72140606		BOLT
64	74760684		BOLT
67	72140610		BOLT.3/8-14X1.25
71	19141610		WASHER
72	72110606		BOLT
76	72110506		SUB= 72270506
77			CHECK WITH SUPPLIER
78	73680400		SUB= 73690400
79	109893X		WASHER T



## ROPER LAWN TRACTOR--MODEL NUMBER LT110FR

### DRIVE GROUP

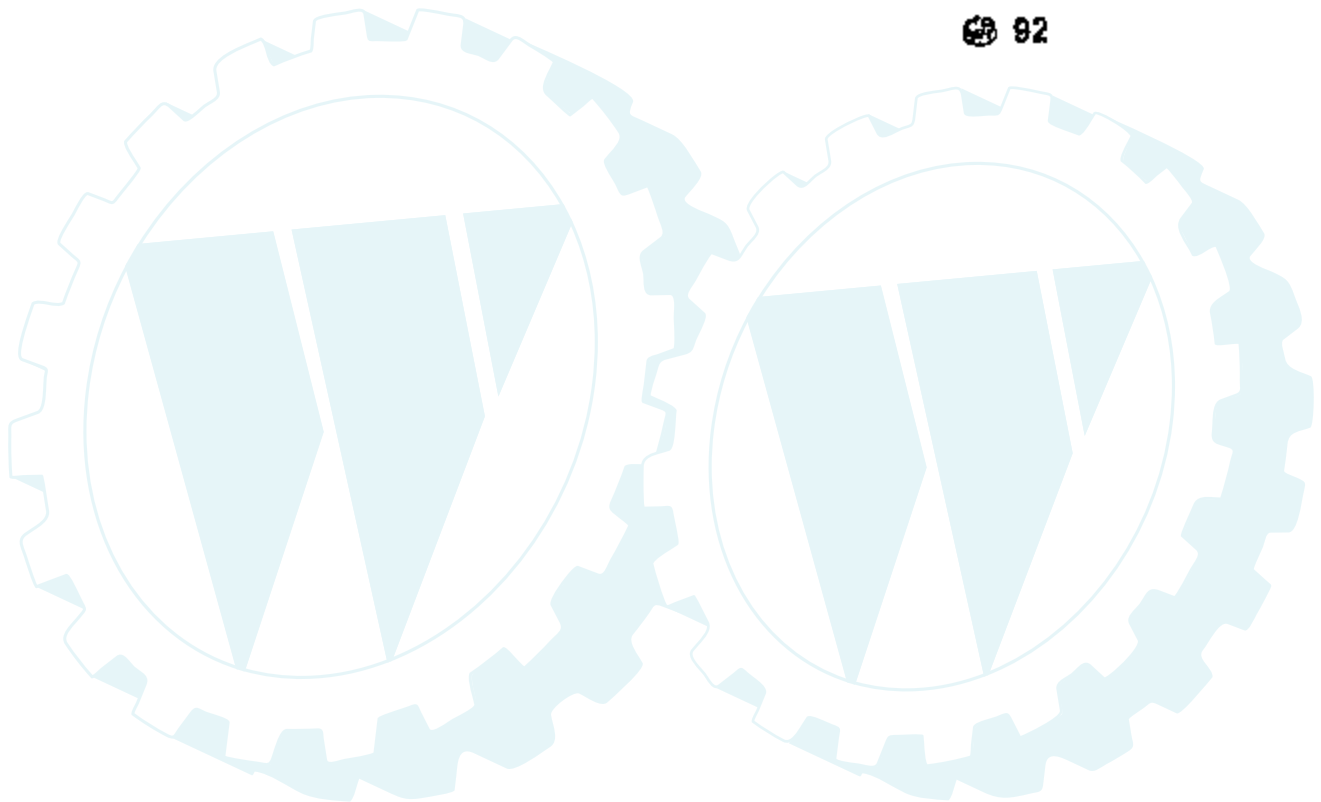
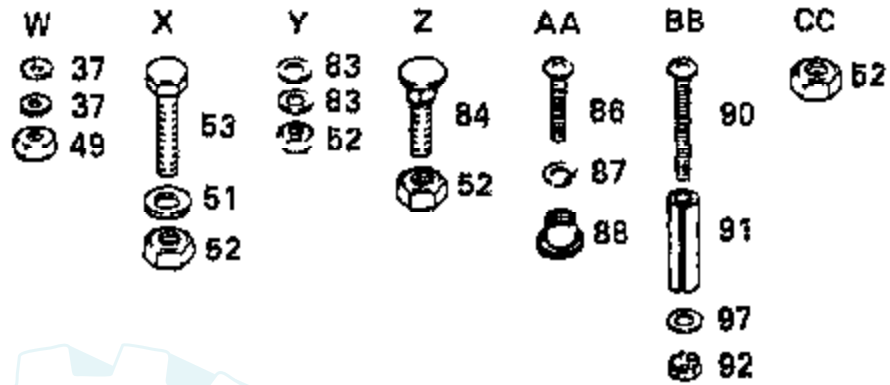


Ref #	Part Number	Qty	Description
3	17021008		SCREW
6	19131312		WASHER
11	73680600		SUB= 73690600
13	74760612		SUB= 74780612
14	72140606		BOLT
23	105848X		"BOLT, SHOULDER LT"
25	74770720		SUB= 71130720
26	10040700		LOCKWASHER
34	74760512		BOLT
35	73680500		SUB= 73690500
36	74760616		BOLT



## ROPER LAWN TRACTOR--MODEL NUMBER LT110FR

### ENCLOSURES



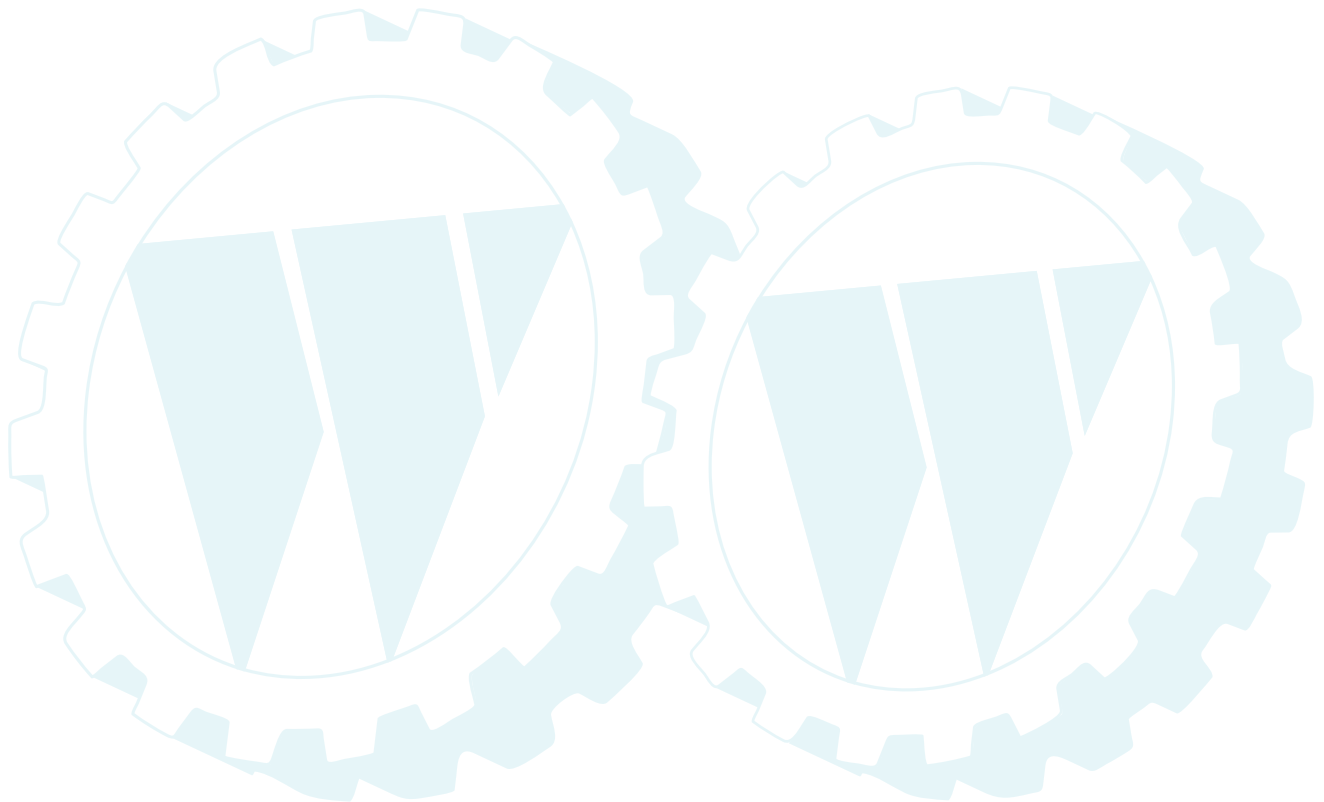
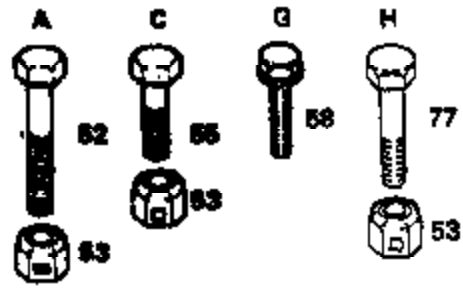
Ref #	Part Number	Qty	Description
37	19091216		WASHER PM
49	73220400		SUB= 50675
51	19131312		WASHER
52	73680600		SUB= 73690600
53	74760616		BOLT
83	19132012		WASHER
84	72140606		BOLT
86	74191008		SCREW
87	10071000		LOCKWASHER
88	2029J		WELDNUT
90	74981020		SCREW
91	7206J		SPACER LT
92	73731000		NUT
97	19070818		WASHER





**ROPER LAWN TRACTOR--MODEL NUMBER LT110FR**

**TRANSAXLE AND REAR WHEEL**

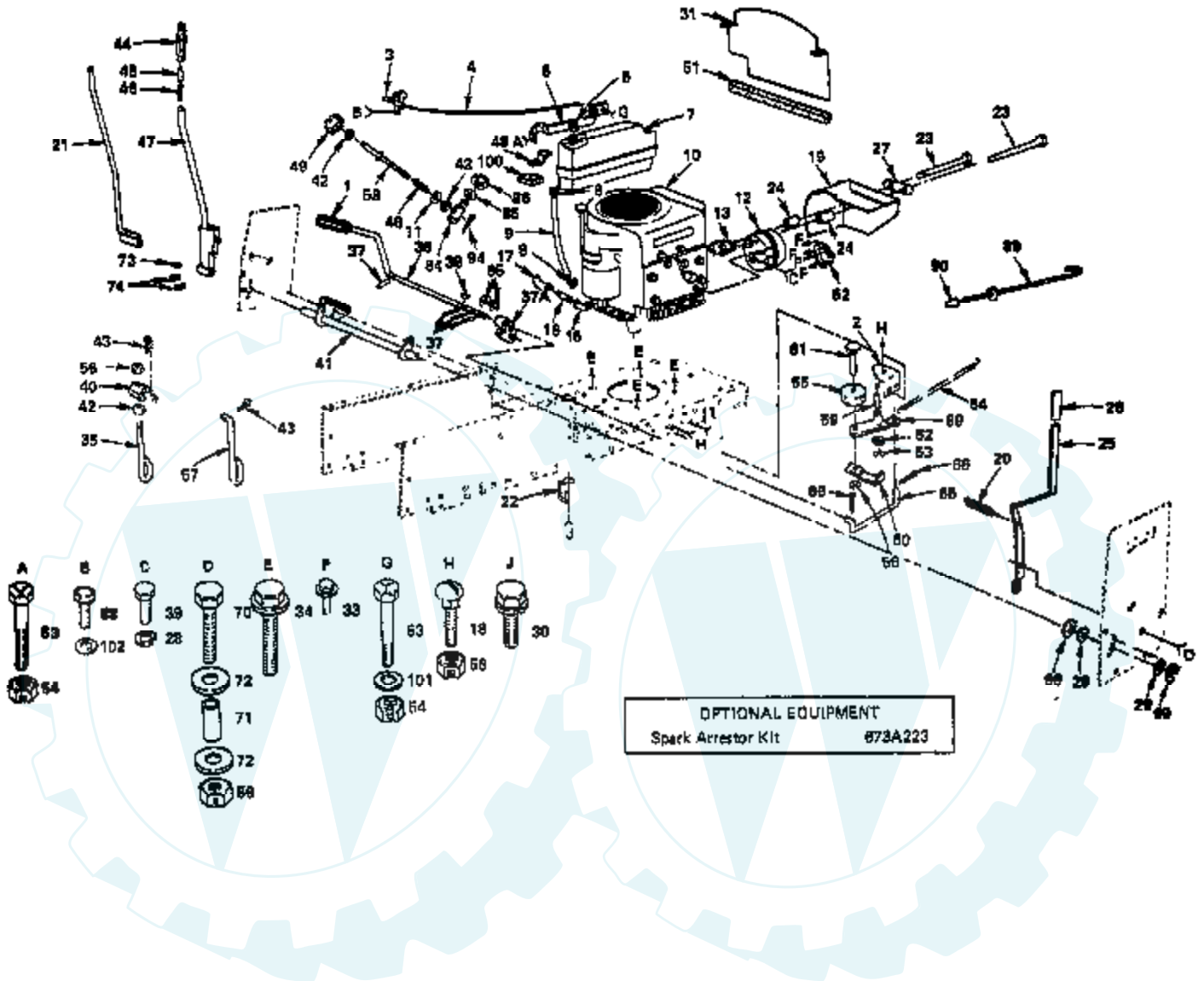


Ref #	Part Number	Qty	Description
52	74760644		BOLT
53	73680600		SUB= 73690600
55	74760612		SUB= 74780612
58	17490512		SCREW
77	74760616		BOLT



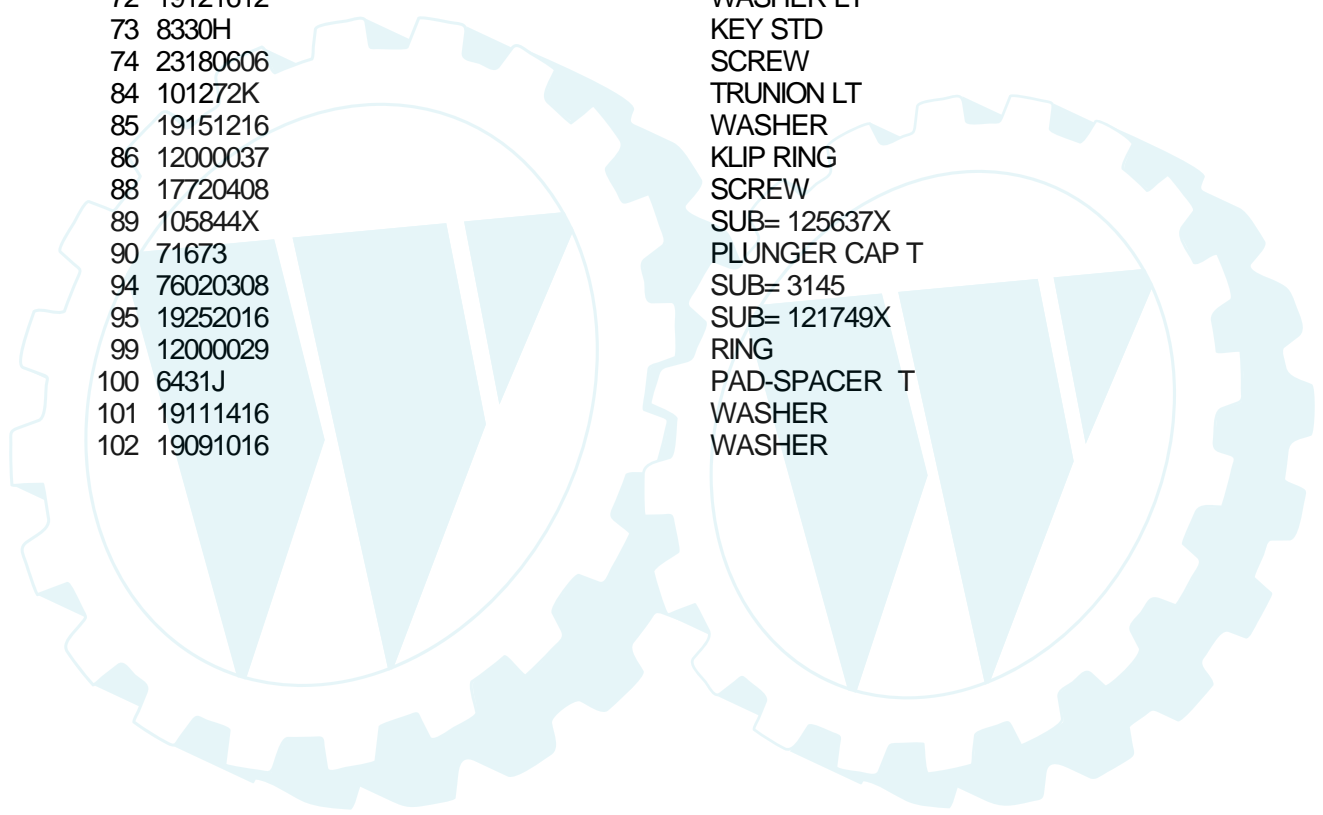
**ROPER LAWN TRACTOR--MODEL NUMBER LT110FR**

**POWER & MECHANICAL CONTROLS GROUP**



Ref #	Part Number	Qty	Description
	673A223		SCREEN
1	8883R		PEDAL COVER T
2	105724X		SUB= 123102X
3	61159		KNOB
4	101336K		SUB= 132753
5	8504J		SUB= 9188504J
6	104800X		SUPPORT-TANK LT
7	3615J		SUB= 121280X
8	6999R		SUB= 123487X
9	7833R		HOSE T
10			CHECK WITH SUPPLIER
10	253707		ENGINE-B&S
11	19131016		WASHER
12	101273M		MUFFLER LTV
13	1407J		SUB= 272293
14	1150400		SUB= 11150400
15	13240300		STREET ELBOW LT
16	13280328		PIPE NIPPLE
17	13200300		ELBOW
18	72140606		BOLT
19	104910X		BAFFLE ASSY LT
20	102727X		"SPRING.EXT.8.5""
21	104598X		ROD ASSY-LEVER LT
22	104777X		SUB= 140312
23	74780572		BOLT YT
24	101496X		SPACER LT
25	106983X		HANDLE YT
26	4617J		SUB= 532131861
27	104909X		CLIP-MUFFLER LT
28	10040400		LOCKWASHER
29	19292016		WASHER
30	17490612		SCREW
31	109623X		SUB= 133685
32	19131312		WASHER
33	17210806		SCREW
34	17490620		SCREW
35	105855X		LINK LIFT LT
36	109037X		FOOT SHAFT PEDAL
37	1572H		SUB= 2882J
37A	106918X		ARM BRAKE LT
38	2228M		SUB= 2228M1
39	74780408		BOLT
40	106204X		SUB= 132793
41	109991X		SHAFT ASM T
42	732280600		SUB= 73220600
43	4939M		SUB= 85902
44	109413X		GRIP
45	105723X		SUB= 125925X
46	2876H		SPRING T
47	104597X		LEVER ASSY LT
48	104799X		BRACE-TANK LT
49	100734K		SUB= 138057
51	104915X		SUB= 105037X
52	101326L		DEFLECTOR.222573
53	74780512		BOLT
54	73680500		SUB= 73690500
55	106298X		SUB= 139245
56	73680600		SUB= 73690600

Ref #	Part Number	Qty	Description
57	110029X		LIFT LINK LT
58	100735K		ROD ADJUST LT
59	105706X		"LY, BEARING"
60	106499X		SUB= 123205X
61	74760624		SUB= 74930624
62	207J		WASHER T
63	12000039		KLIP RING
64	105709X		"SPRING, RETURN LT"
65	105710X		"LINK, CLUTCH T"
66	76020412		COTTER PIN
69	105705X		SUB= 125829X
70	74760624		SUB= 74930624
71	108056X		BUSHING YT
72	19121612		WASHER LT
73	8330H		KEY STD
74	23180606		SCREW
84	101272K		TRUNION LT
85	19151216		WASHER
86	12000037		KLIP RING
88	17720408		SCREW
89	105844X		SUB= 125637X
90	71673		PLUNGER CAP T
94	76020308		SUB= 3145
95	19252016		SUB= 121749X
99	12000029		RING
100	6431J		PAD-SPACER T
101	19111416		WASHER
102	19091016		WASHER



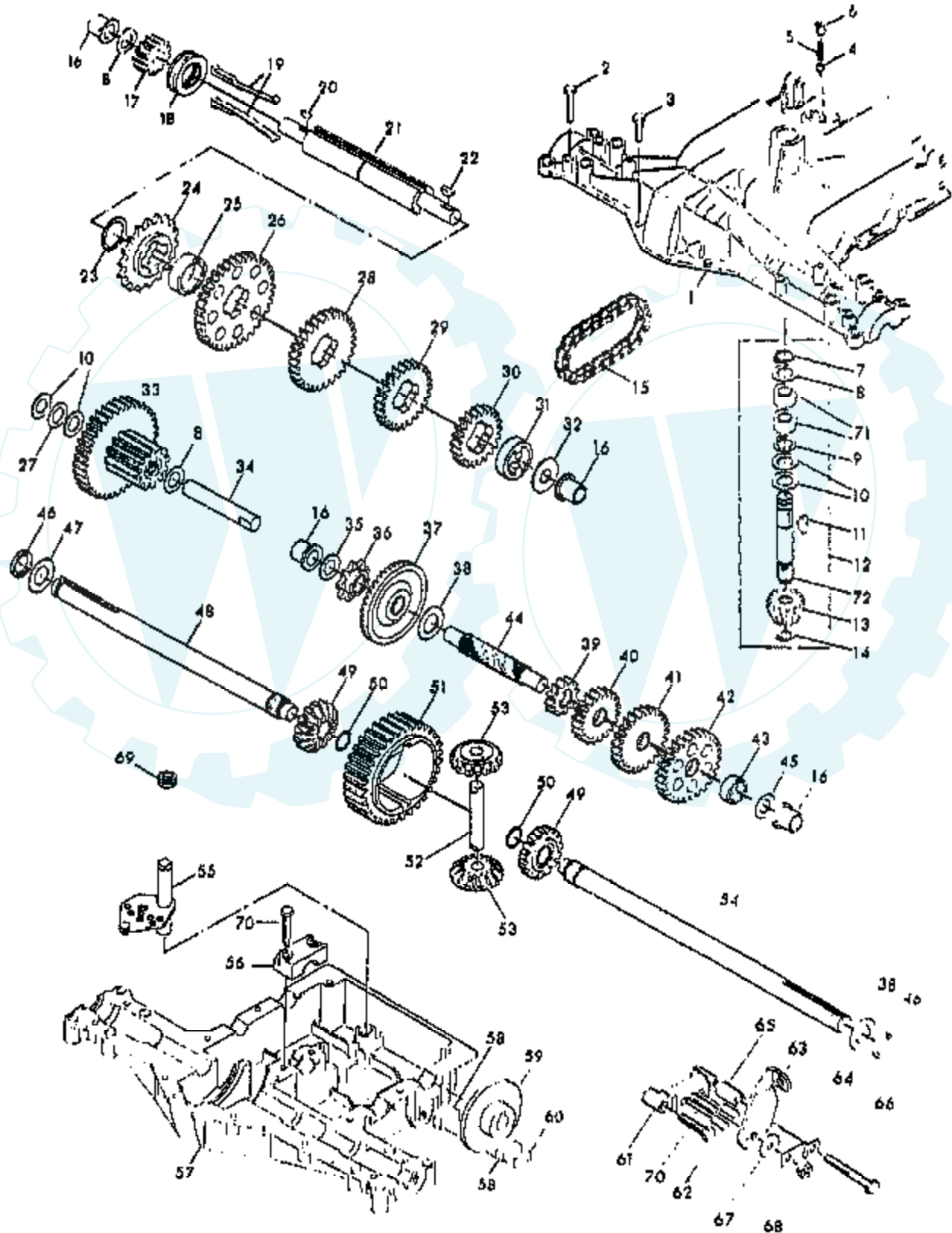


Ref #	Part Number	Qty	Description
1	100710L		INSERT-WHEEL LT
2	73360800		NUT
3	100712K		WASHER
4	100713N		SUB= 150547
4A	100711L		ADAPTER LT
5	109816X		NYLINER T
6	12000029		RING
7	19252016		SUB= 121749X
8	9040H		"FLANGE, BEARING"
9	106222X 59904		SUB= 122073X TUBE.5.3/4.5/6
10	106732X		SUB= 106732X417
11	65139		VALVE STEM LT
12	59192		VALVE CAP
13	108075X		FRONT AXLE
14	74761060		BOLT LT
15	105654X		SUB= 130524
16	76020412		COTTER PIN
18	105715X		ROD-TIE LT
19	6855M		ZERK M
20	105726X		SUB= 154391
21	10040600		LOCKWASHER
22	73610600		SUB= 7810H
23	105727X		LINK-DRAG LT
24	109556X		SHAFT ASM T
25	74580		SHAFT SPACER LT
26	71208		BUSHING
27	109432X		SUB= 110150X
28	108684X		GEAR.SECTOR.HYT
29	106126X		KEY-WOODRUFF LT
30	19212016		WASHER D
31A	2882J		DRIVE PIN
32	6266H		WASHER .T
33	108683X		ROD STEERING T
34	105656X		SPINDLE-LH LT
35	17490612		SCREW
36	73901000		"NUT-LOC,FLANGE LT"
37	105725X		SUB= 110438X
40	3366R		COL. SRTG. BEAR.
41	104590X		DECAL - STEERING WHEEL
42	104757X		HUB CAP
43	278H		FITTING LT
44	19252616		SUB= 121748X
45	106943X		SPACER LT
46	106944X		TUBE LT
48	105664X		SUPPORT.SADDLE.FT
49	105663X		SUPPORT-SADDL T
50			CHECK WITH SUPPLIER
51	102792X		SUB= 126847X
52	19131416		WASHER
54	108685X		GEAR PINION T
55	101930X		WASHER YTV

### ROPER LAWN TRACTOR--MODEL NUMBER LT110FR TRANSAXLE FOOT--MODEL NUMBER 4150-41

#### TRANSAXLE

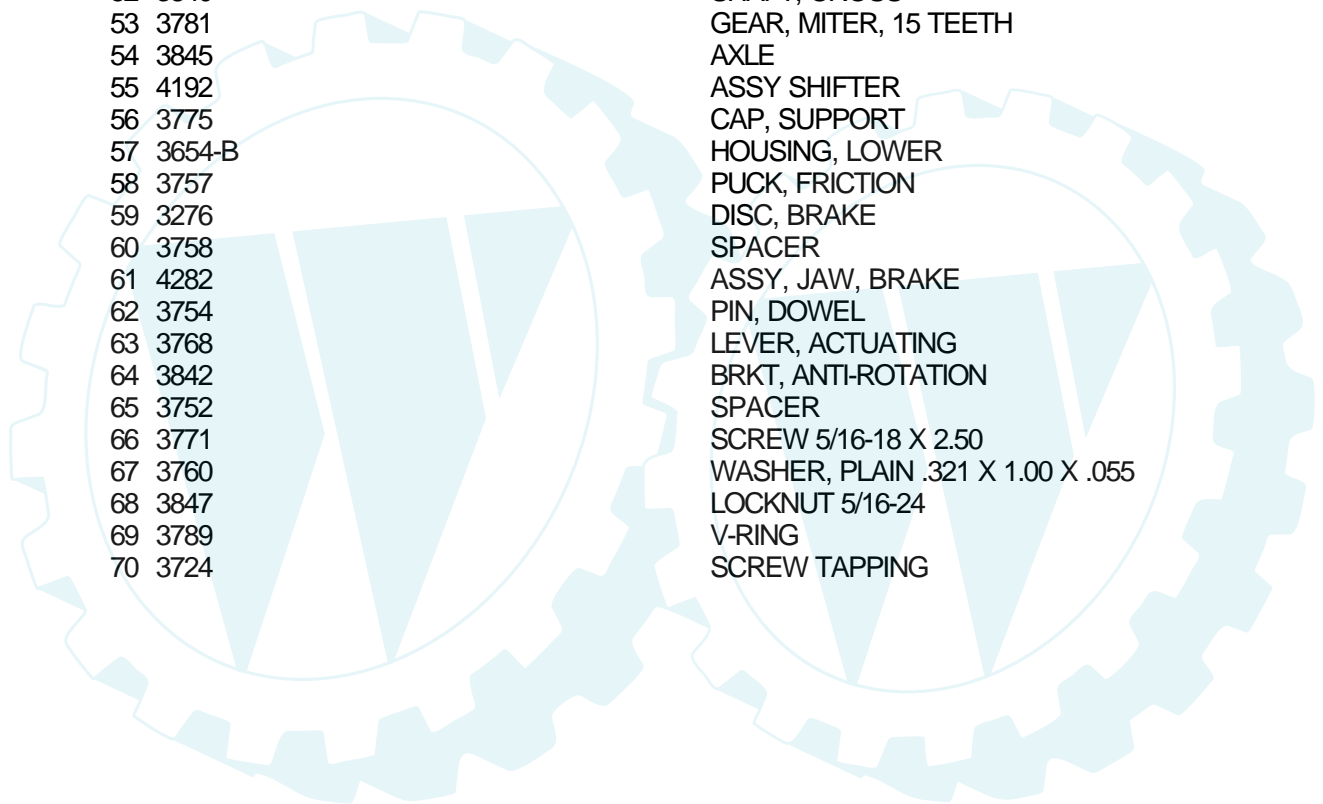
ALL REPAIRS MUST BE PERFORMED BY  
AN AUTHORIZED FOOT DEALER. REFER  
TO BACK COVER.





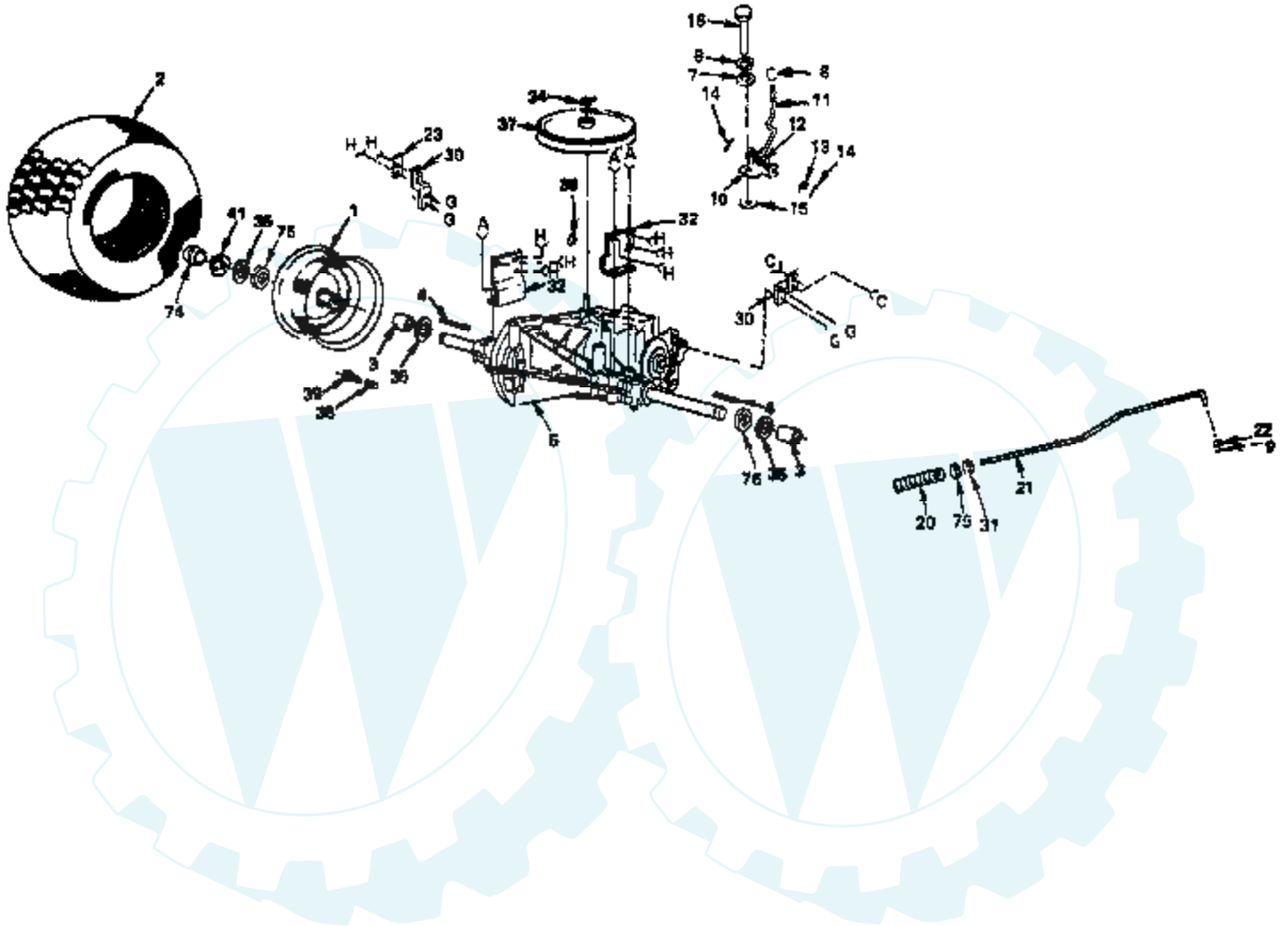
Ref #	Part Number	Qty	Description
1	3655-B		HOUSING, UPPER
2	1360		SCREW 1/4-20 X 1.31
3	3396		SCREW 1/4-20 X .875
4	1151		BALL DETENT
5	3626		SPRING, DETENT
6	3623		SCREW, SET
7	1099		RING RETAINING
8	1441		WASHER PLAIN
8	1423		WASHER, PLAIN .632 X 1.00 X .026
8	1082		WASHER PLAIN
8	1424		WASHER PLAIN
8	1068		WASHER PLAIN
8	1425		WASHER PLAIN
8	1358		WASHER PLAIN
8	1145		WASHER, PLAIN .632 X 1.00 X .060
8	1319		WASHER PLAIN
9	3312		O-RING
10	1425		WASHER PLAIN
11	1374		KEY WOODRUFF #9
12	4134		ASSY KIT INPUT SHAFT
13	3590		PINION, BEVEL, 14 TEETH
14	3624		RING, RETAINING
15	3625		CHAIN, 24 PITCHES
16	1542		BEARING, FLANGE
17	3773		GEAR SPUR, 14 TEETH
18	3631		COLLAR CLUTCH
19	3676		KEY, CLUTCH
20	1369		KEY WOODRUFF #3
21	3663		SHAFT, INTERMEDIATE
22	1375		KEY, WOODRUFF, #61
23	3627		RING, RETAINING
24	3640		SPROCKET, 18T
25	3841		SPACER
26	3786		GEAR, SPUR, 37 TEETH
27	3422		SPACER .630 X 1.00 X .169
28	3784		GEAR, SPUR 30T
29	3783		GEAR, SPUR, 25 TEETH
30	3741		GEAR SPUR
31	3715		SPACER
32	3628		WASHER, PLAIN .640 X 1.37 X .061
33	4286		ASSY GEAR COMB 12&35 TEETH
34	3658		SHAFT, IDLER
35	1959		WASHER PLAIN
36	3654		SPROCKET, 9T
37	3853		GEAR, BEVEL, 42 TEETH
38	3749		WASHER PLAIN
38	3652		WASHER PLAIN
38	3693		WASHER PLAIN
38	3653		WASHER PLAIN
38	3408		WASHER PLAIN
38	3732		WASHER PLAIN
38	3184		WASHER, PLAIN .758 X 1.25 X .031
38	3733		WASHER PLAIN
38	3198		WASHER PLAIN
38	3734		WASHER PLAIN
38	3735		WASHER PLAIN
38	3736		WASHER PLAIN
38	3180		WASHER PLAIN

Ref #	Part Number	Qty	Description
39	3646		GEAR, SPUR, 12 TEETH
40	3637		GEAR, SPUR 20T
41	3719		GEAR, SPUR, 25 TEETH
42	3683		GEAR, SPUR, 31 TEETH
43	3714		SPACER
44	3657		SHAFT, DRIVE
45	1145		WASHER, PLAIN .632 X 1.00 X .060
46	3191		SEAL FELT
47	3184		WASHER, PLAIN .758 X 1.25 X .031
48	3846		AXLE
49	3780		GEAR, MITER, 15 TEETH
50	3656		RING, RETAINING
51	3839		GEAR, SPUR, 32 TEETH
52	3840		SHAFT, CROSS
53	3781		GEAR, MITER, 15 TEETH
54	3845		AXLE
55	4192		ASSY SHIFTER
56	3775		CAP, SUPPORT
57	3654-B		HOUSING, LOWER
58	3757		PUCK, FRICTION
59	3276		DISC, BRAKE
60	3758		SPACER
61	4282		ASSY, JAW, BRAKE
62	3754		PIN, DOWEL
63	3768		LEVER, ACTUATING
64	3842		BRKT, ANTI-ROTATION
65	3752		SPACER
66	3771		SCREW 5/16-18 X 2.50
67	3760		WASHER, PLAIN .321 X 1.00 X .055
68	3847		LOCKNUT 5/16-24
69	3789		V-RING
70	3724		SCREW TAPPING



**ROPER LAWN TRACTOR--MODEL NUMBER LT110FR**

**TRANSAXLE AND REAR WHEEL**



Ref #	Part Number	Qty	Description
1	106108X		SUB= 106108X417
2	106268X		SUB= 122074X
	7152J		TUBE.18X9.5-8
3	109502X		SPACER LT
4	2703J		SUB= 123583X
5	110066X		TRANSAXLE LT
6	10040400		LOCKWASHER
7	19091210		WASHER LT
8	106933X		KNOB T (1/2-HOLE)
9	76020412		COTTER PIN
10	106919X		PLATE SHIFT LT
11	105699X		SUB= 110458X
12	105700X		SPRING LT
13	19151216		WASHER
14	76020416		PIN COTTER 1/8
15	105701X		WASH-SHFT PLT LT
16	71040412		SUB= 74550412
20	106888X		SPRING ROD LT
21	105752X		SUB= 110437X
22	19131316		WASHER
23	106157X		PLATE-STRAP LT
30	105842X		"STRAP, TORQUE LT"
31	73350600		NUT
32	109167X		BRACKET LT
34	12000028		SUB= 2267J
35	19252016		SUB= 121749X
36	2228M		SUB= 2228M1
37	105703X		SUB= 125478X
38	59192		VALVE CAP
39	65139		VALVE STEM LT
41	12000001		E-RING LT
74	104757X		HUB CAP
75	73930600		LOCKNUT
76	19252616		SUB= 121748X