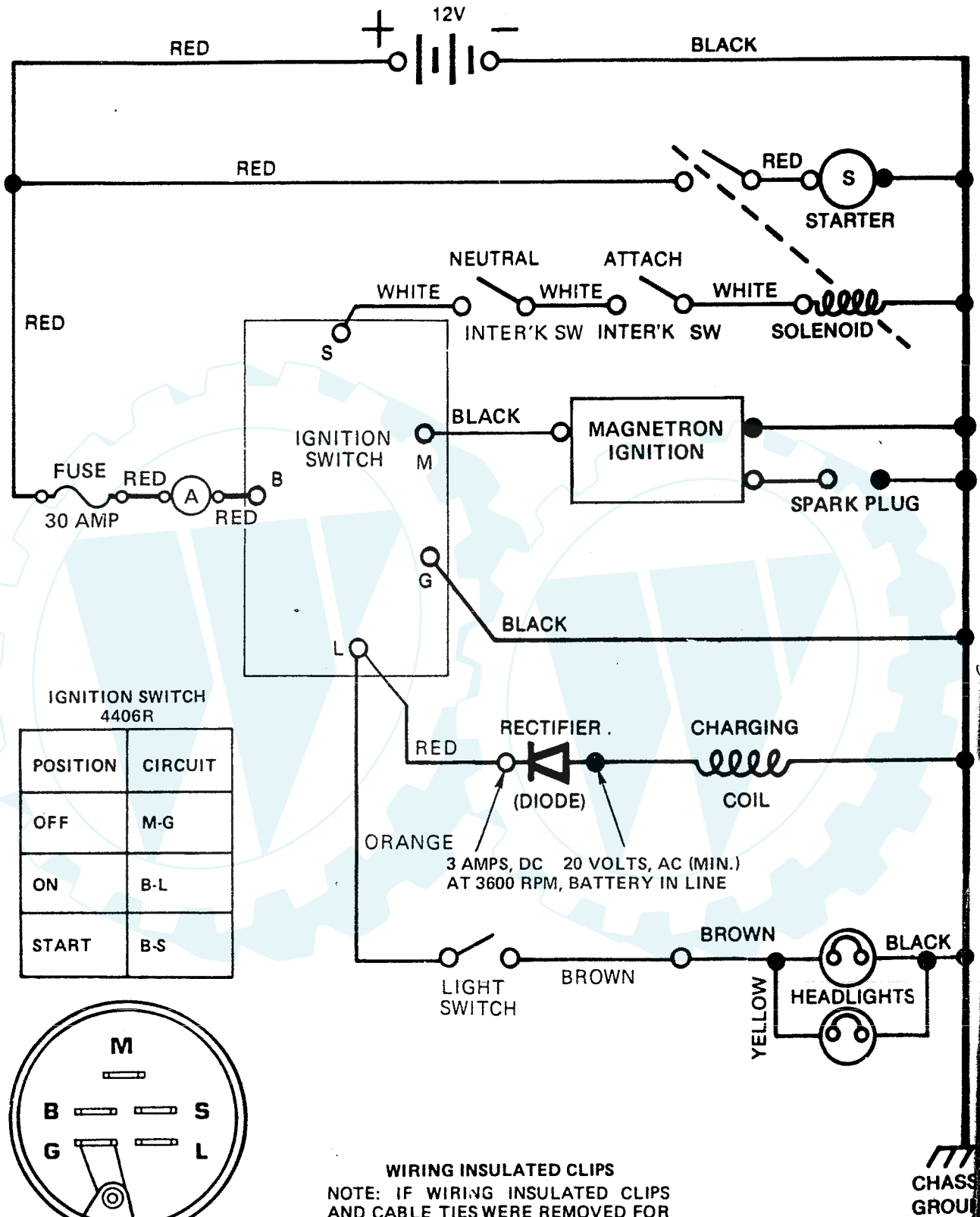
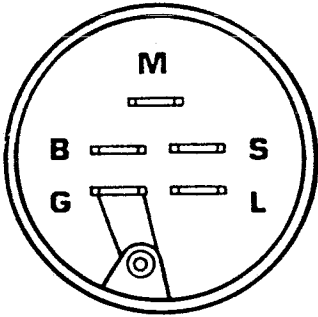


SCHEMATIC



IGNITION SWITCH
4406R

POSITION	CIRCUIT
OFF	M-G
ON	B-L
START	B-S



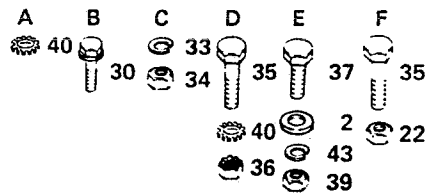
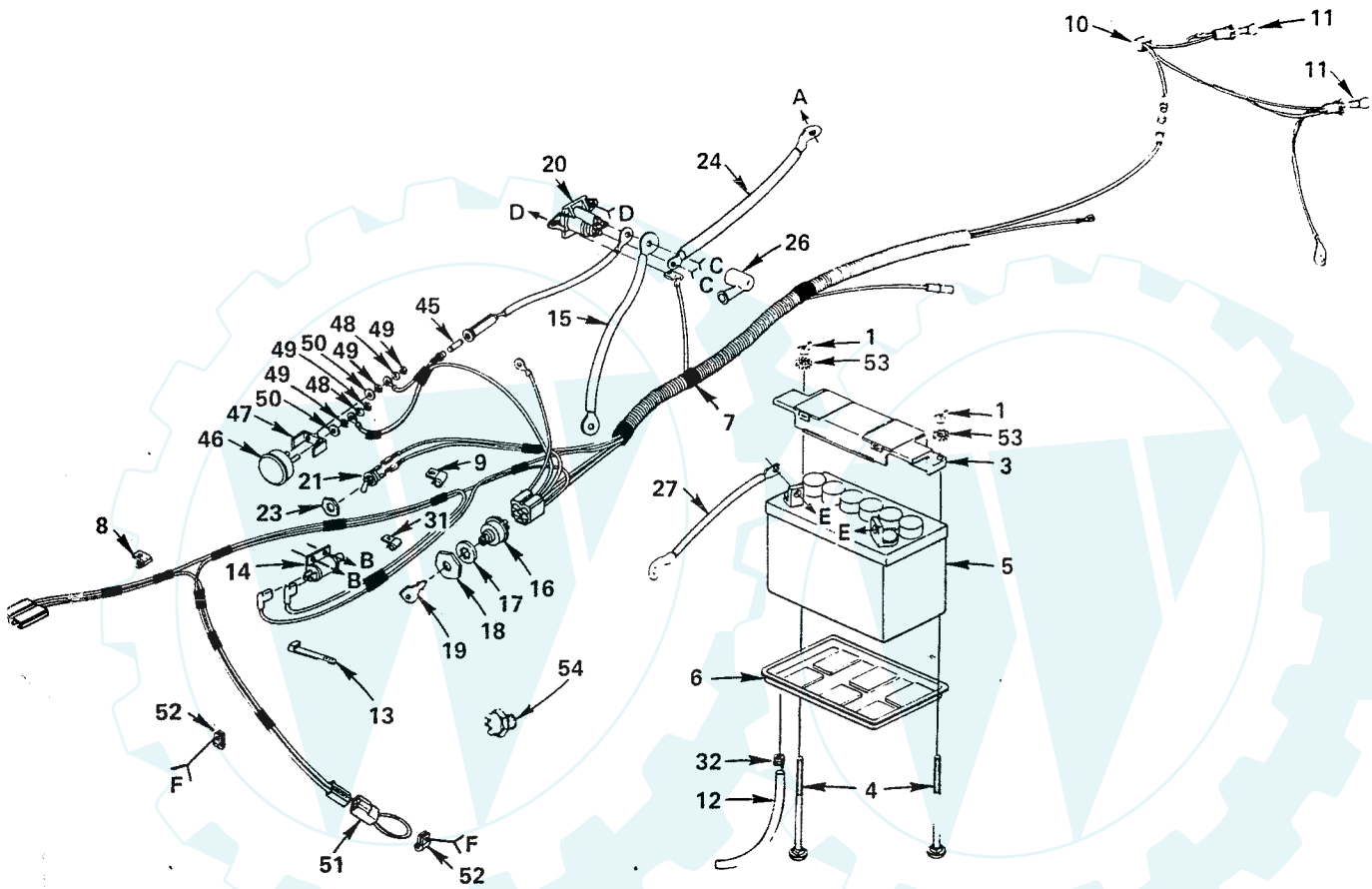
WIRING INSULATED CLIPS
NOTE: IF WIRING INSULATED CLIPS AND CABLE TIES WERE REMOVED FOR SERVICING OF UNIT, THEY SHOULD BE REPLACED TO PROPERLY SECURE YOUR WIRING.

REPAIR PARTS

ROPER LAWN TRACTOR MODEL NUMBER LT110ER

www.ersatzteil-service.de

ELECTRICAL

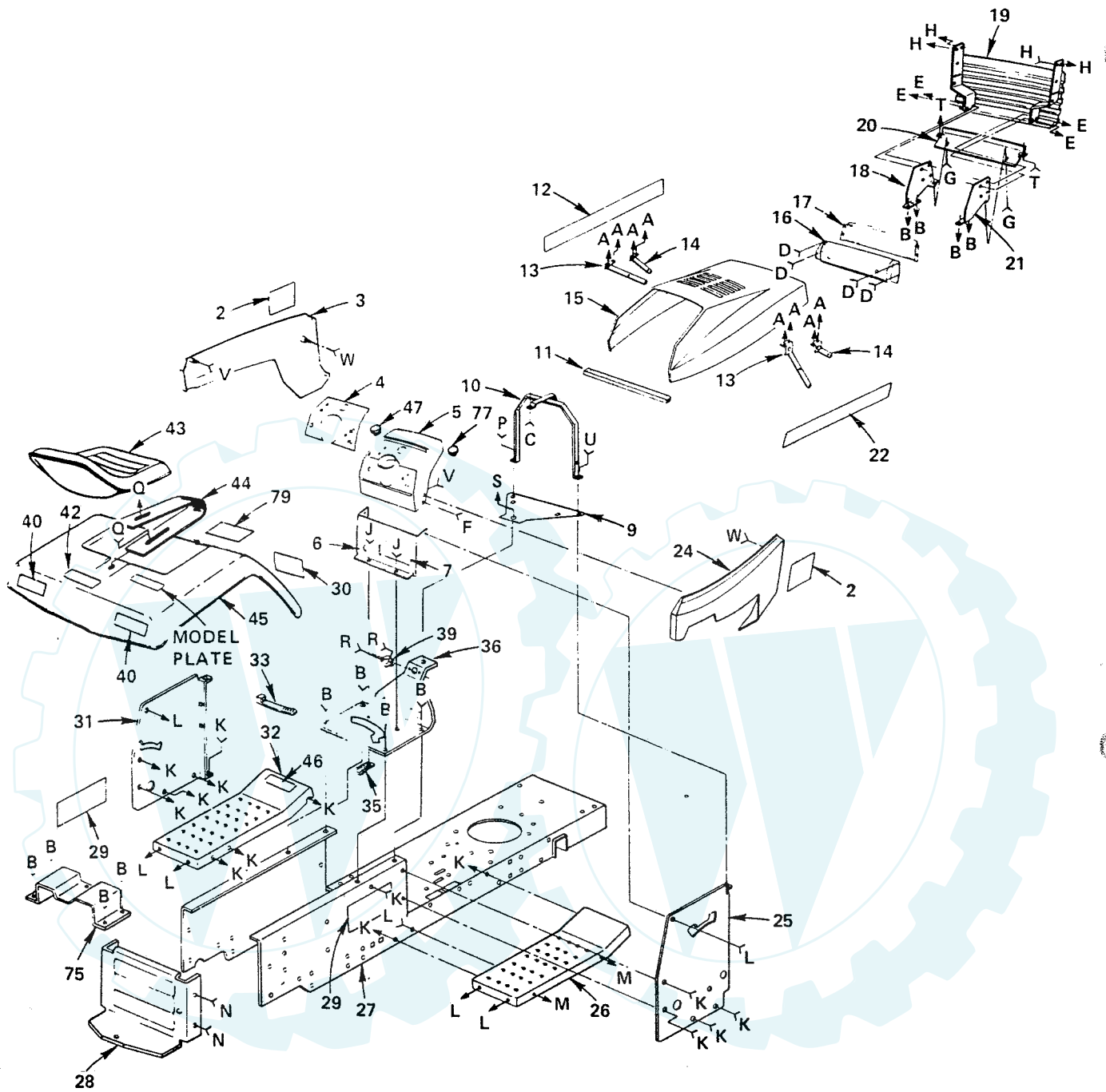


ELECTRICAL

KEY NO.	PART NO.	DESCRIPTION	KEY NO.	PART NO.	DESCRIPTION
1	73490400	*Wing Nut 1/4 - 20	24	5907J	Cable - Battery (Solenoid to Starter)
2	19091016	Washer 9/32 x 5/8 x 16 Ga.	26	719J	Terminal Cover (For Solenoid)
3	102476X	Guard - Terminal	27	2955J	Cable - Battery (Battery to Ground)
4	72240460	Battery Bolt (Bolt - Carriage, Rd. Hd. Sq. Neck 1/4 - 20 x 7 - 1/2)	30	17541208	Screw - Hex Washer Hd, Thd. Rolling Type TT No. 12 - 24 x 1/2
5	228J	Battery	31	2751R	Clip - Fuel Line
6	7603J	Battery Tray	32	6999R	Clamp - Hose
7	108312X	Harness - Ignition	33	10090400	Lockwasher 1/4
8	100207K	Clip 3/8	34	73350400	*Nut - Hex Jam 1/4 - 20
9	4171R	Insulated Clip	35	74780408	*Bolt - Hex 1/4 - 20 x 1/2 Gr. 5
10	7661J	Harness - Light Socket	36	73510400	Nut - Keps, Hex 1/4 - 20
11	7662J	Bulb - Light	37	74760412	*Bolt - Hex 1/4 - 20 x 3/4
12	100656K	Tube - Battery Tray	39	73220400	*Nut - Hex 1/4 - 20
13	7192J	Cable Tie	40	11050400	Washer - Lock 1/4 Ext. Tooth
14	7755R	Switch - Interlock	43	10040400	*Lockwasher 1/4
15	2957J	Cable - Battery (Battery to Solenoid)	45	6374R	Fuse - 30 Amp.
16	4406R	Ignition Switch	46	9433R	Ammeter
17	11151000	Lockwasher - Internal Tooth 5/8	47	6009J	Bracket - Ammeter
18	3258J	Nut - Hex 5/8 - 32	48	6952J	Lockwasher No. 10
19	7552H	Key	49	6953J	Nut No. 10
20	2008J	Solenoid	50	6951J	Washer 7/32 x 1 2 x 18 Ga.
21	4482J	Switch - Light	51	102501X	Loop - Wire
22	73680400	Nut - Hex 1/4 - 20	52	235R	Clip - Insulated
23	7320R	Nut - Hex Face	53	11030400	Lockwasher - Int. Ext. 1 4
			54	105737X	Switch - Interlock
			...	101539X	Sheet - Instruction, Tractor 15° Slope
			...	109144X	Owners Manual

*STANDARD HARDWARE--PURCHASE LOCALLY

ENCLOSURES



- | | | | | | | | | | | | | | | | | | | | |
|----|----|----|----|----|----|----|----|----|----|----|----|----|----|----|----|----|----|----|----|
| A | B | C | D | E | F | G | H | J | K | L | M | N | P | Q | R | S | T | U | V |
| 48 | 57 | 37 | 55 | 53 | 63 | 59 | 60 | 76 | 65 | 50 | 66 | 67 | 63 | 69 | 72 | 73 | 78 | 63 | 37 |
| 49 | | 48 | 56 | | | | 62 | 34 | | 52 | | | 64 | 70 | | 74 | 37 | | 49 |
| | | 49 | | 52 | | | | | | | 52 | | 54 | 71 | | | | 64 | |
| | | | | 51 | | | | | | | | | | | | | | | |
| | | | | 52 | | | | | | | | | | | | | | | |

ENCLOSURES

KEY NO.	PART NO.	DESCRIPTION	KEY NO.	PART NO.	DESCRIPTION
2	108563X	Decal - Side Panel, 11 H.P.	42	104810X	Decal - Fender, Roper
3	104803X358	Panel - Side, L.H.	43	106855X	Seat
4	105414X	Decal - Dash	44	4132J	Spring - Seat
5	106099X	Dashboard	45	105540X	Fender
6	104783X	Dash Assembly - Lower	46	4900J	Decal - Clutch/Brake
7	8497J	Decal - Instruction	47	8022J	Plug - Dash
9	7578J	Plate - Support, Battery	48	10090400	*Washer - Lock 1/4
10	104786X	Support Assembly - Dash	49	73220400	*Nut - Hex 1/4 - 20
11	105037X	Foam - Strip	50	74760612	*Bolt - Hex 3/8 - 16 x 3/4
12	104643X	Decal - Hood, L.H.	51	19131312	Washer 13/32 x 13/16 x 12 Ga.
13	106784X	Strap Assembly - Hinge, Rear	52	73680600	Nut - Crownlock 3/8 - 16
14	104618X	Strap Assembly - Hinge, Front	53	74760616	*Bolt - Hex 3/8 - 16 x 1
15	104612X358	Hood	54	19131316	*Washer 13/32 x 13/16 x 16 Ga.
16	104613X	Bezel Assembly	55	17211010	Screw - Hex Washer Hd. Tapping 10 - 16 x 5/8
17	106395X	Lens			"J" Fastener
18	104632X	Support - Grill, L.H.	56	104755X	
19	104801X	Grill Assembly	57	17490612	Screw - Hex Washer Hd. Thd. Rolling 3/8 - 16 x 3/4 Type TT
20	104634X358	Strap - Grill			Screw - Hex Washer Hd. Thd. Rolling 5/16 - 18 x 3/4 Type TT
21	104633X	Support - Grill, R.H.	59	17490512	Bolt - Shoulder 1/4 - 20
22	104644X	Decal - Hood, R.H.	60	7605J	Nut - Crownlock 1/4 - 20
24	104804X358	Panel - Side, R.H.	62	73680400	*Bolt - Hex 3/8 - 16 x 1 - 1/4
25	101599X	Panel - Dash, R.H.	63	74760620	Nut - Keps 3/8 - 16
26	100658N358	Footrest - R.H.	64	73510600	Screw - Hex Washer Hd. Thd. Forming 3/8 - 16 x 1/2 Type TT
27	108308X	Chassis	65	17490608	Pin - Suspension
28	102481X	Drawbar			Screw - Hex Washer Hd. Thd. Rolling 3/8 - 16 x 1 Type TT
29	104808X	Decal - Frame	66	100663K	*Bolt - Hex 1/2 - 13 x 1 Gr. 5
30	4910J	Decal - Caution	67	17490616	*Washer - Lock 1/2
31	102505X	Panel - Dash, L.H.			Washer 17/32 x 1 - 3/8 x 12
32	100657N358	Footrest - L.H.			Screw - Hex Head Self Tapping No. 10 - 16 x 1/2 Type B
33	7192J	Tie - Cable	69	74780816	*Bolt - Hex 5/16 - 18 x 3/4 Gr. 5
34	73680500	Locknut - Gripco 5/16 - 18	70	10110800	Nut - Keps 5/16 - 18
35	2751R	Clip - Fuel Line	71	19171912	Bracket Assembly - Fender
36	108263X	Saddle	72	17431008	Screw - Mach. Cr. Tr. Hd. 5/16 - 18 x 3/4
37	19091216	Washer 9/32 x 3/4 x 16 Ga.			Plug - Dash
39	1554J	Bushing - Steering	73	74780512	Screw - Hex Washer Hd. 1/4 - 20 x 3/4
40	104637X	Reflector - Tailight	74	73510500	Decal - Opei - Caution
			75	677A527	
			76	74180512	
			77	5479J	
			78	17490412	
			79	106974X	

*STANDARD HARDWARE--PURCHASE LOCALLY

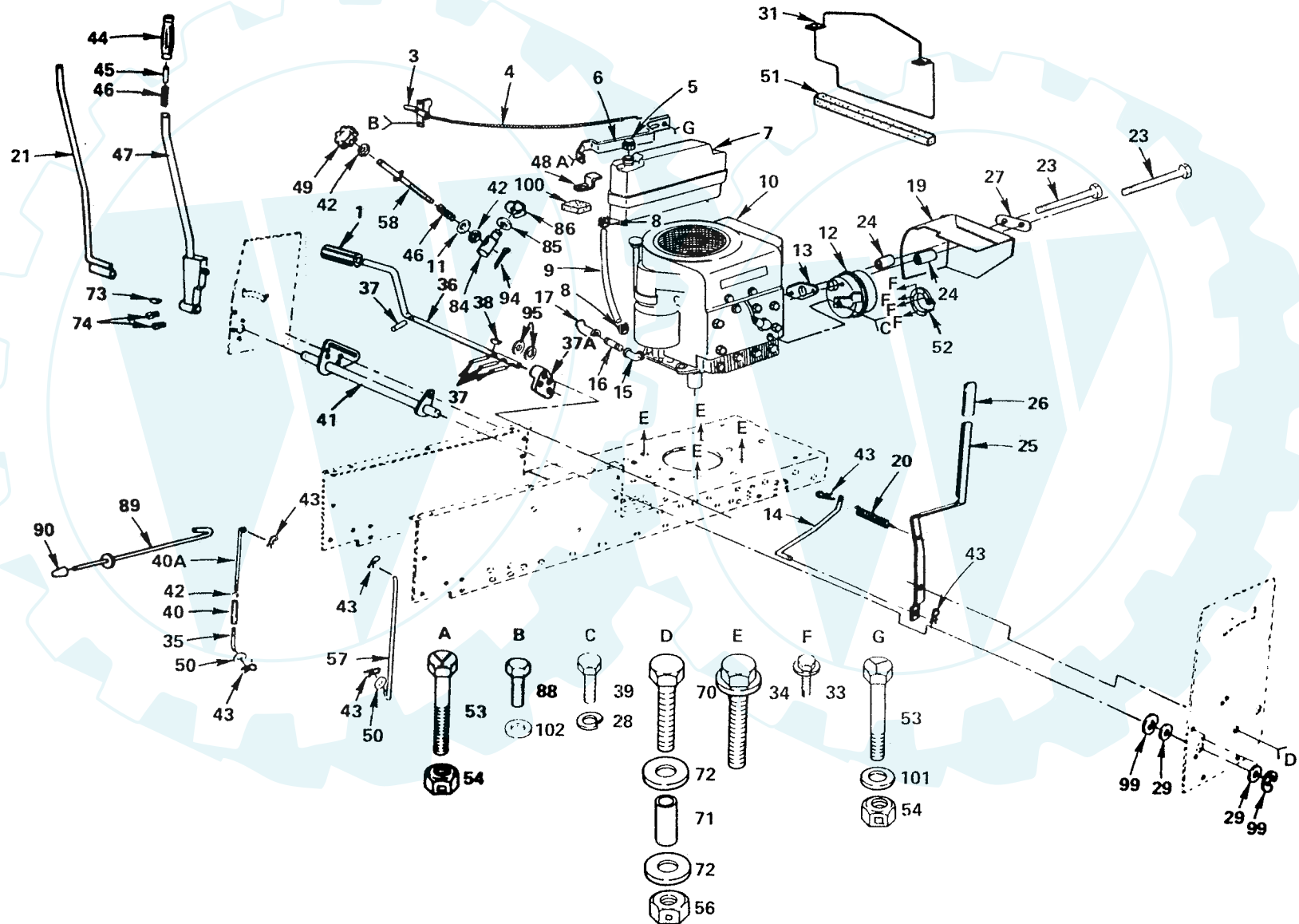
W

- ⊕ 37
- ⊕ 37
- ⊕ 49

REPAIR PARTS

ROPER LAWN TRACTOR--MODEL NUMBER LT110ER

POWER & MECHANICAL CONTROLS GROUP



REPAIR PARTS

ROPER LAWN TRACTOR--MODEL NUMBER LT110ER

POWER & MECHANICAL CONTROLS GROUP

KEY NO.	PART NO.	DESCRIPTION	KEY NO.	PART NO.	DESCRIPTION
1	8883R	Pedal Cover	41	108374X	Shaft Assembly - Lift
3	61159	Knob - Throttle Control	42	73350600	* Nut - Hex Jam 3/8 - 16
4	101336K	Control - Throttle (Inc. Key No. 3)	43	4939M	Retainer Spring
5	8504J	Fuel Cap	44	2895H	Grip - Handle
6	104800X	Support -Tank, Fuel	45	105723X	Plunger - Lever, Hand
7	3615J	Tank - Fuel	46	2876H	Spring
8	6999R	Hose Clamp	47	104597X	Lever Assembly, Hand Kit (Inc. Key No's. 45, 46 and 2 each 74)
9	7833R	Fuel Line	48	104799X	Brace - Tank
10	253707	Engine Briggs & Stratton 11 H.P. - Type No. 0154-01	49	100734K	Handle - Adjust, Lift
11	19131016	Washer 13/32 x 5/8 x 16 Ga.	50	19131316	* Washer 13/32 x 13/16 x 16 Ga.
12	101273M	Muffler	51	104915X	Strip - Foam 14.5"
13	1407J	Gasket - Exhaust	52	101326L	Deflector - Muffler
14	105021X	Rod - Clutch, Mower	53	74780512	* Bolt - Hex 5/16 - 18 x 3/4 Gr. 5
15	13240300	90° Street Elbow 3/8 NPT	54	73680500	Locknut 5/16 - 18 Gr. B
16	13280328	Std. Pipe Nipple 3/8 - 18 NPT x 3 - 1/2	56	73680600	Locknut 3/8 - 16
17	13200300	90° Elbow 3/8 NPT	57	106663X	Link - Lift, Nonadjust
19	104910X	Baffle Assembly - Muffler	58	100735K	Rod - Adjust, Lift
20	102727X	Spring - Extension	70	74760620	* Bolt - Hex 3/8 - 16 x 1 - 1/4
21	104598X	Rod Assembly - Lever	71	100644K	Bushing - Handle, Clutch
23	74780572	Bolt - Hex 5/16 - 18 x 4 - 1/2	72	19121612	Washer 3/8 x 1 x 12 Ga.
24	101496X	Spacer - Split	73	8330H	Woodruff Key 1/4 x 1
25	104790X	Handle - Clutch Attachment	74	23180606	Set Screw - Hex Socket Forged Headless 3/8 - 16 x 3/8
26	4617J	Grip - Handle	84	101272K	Trunion - Stop, Depth
27	104909X	Clip - Muffler	85	19151216	Washer 15/32 x 3/4 x 16 Ga.
28	10040400	* Lockwasher 1/4	86	12000037	Klip Ring
29	19292016	Washer 29/32 x 1 - 1/4 x 16 Ga.	88	17720410	Screw Hex Washer Head Thread Cutting 1/4 - 20 x 5/8
31	104913X	Baffle - Vertical	89	8680J	Rod - Brake, Park
33	17210806	Screw - Hex Washer Hd. No. 8 - 32 x 3/8	90	71673	Plunger Cap
34	17490620	Screw - Hex Washer Hd. Thread Rolling 3/8 - 16 x 1 - 1/4 Type TT	94	76020308	Cotter Pin 3/32 x 1/2
35	106662X	Link - Lift, Lower, L.H.	95	19252016	Washer 25/32 x 1 - 1/4 x 16 Ga.
36	8334J	Shaft - Pedal, Foot	99	12000029	Klip Ring
37	1572H	Roll Pin 3/16 x 1	100	6431J	Pad - Spacer
37A	100639C	Arm - Brake	101	19111416	Washer 11/32 x 7/8 x 16 Ga.
38	2228M	Woodruff Key	102	19091016	* Washer 9/32 x 5/8 x 16 Ga.
39	74780408	* Bolt - Hex 1/4 - 20 x 1/2 Gr. 5			* STANDARD HARDWARE PURCHASE LOCALLY
40	6417H	Turnbuckle			
40A	106185X	Link - Lift, Upper, L.H.			

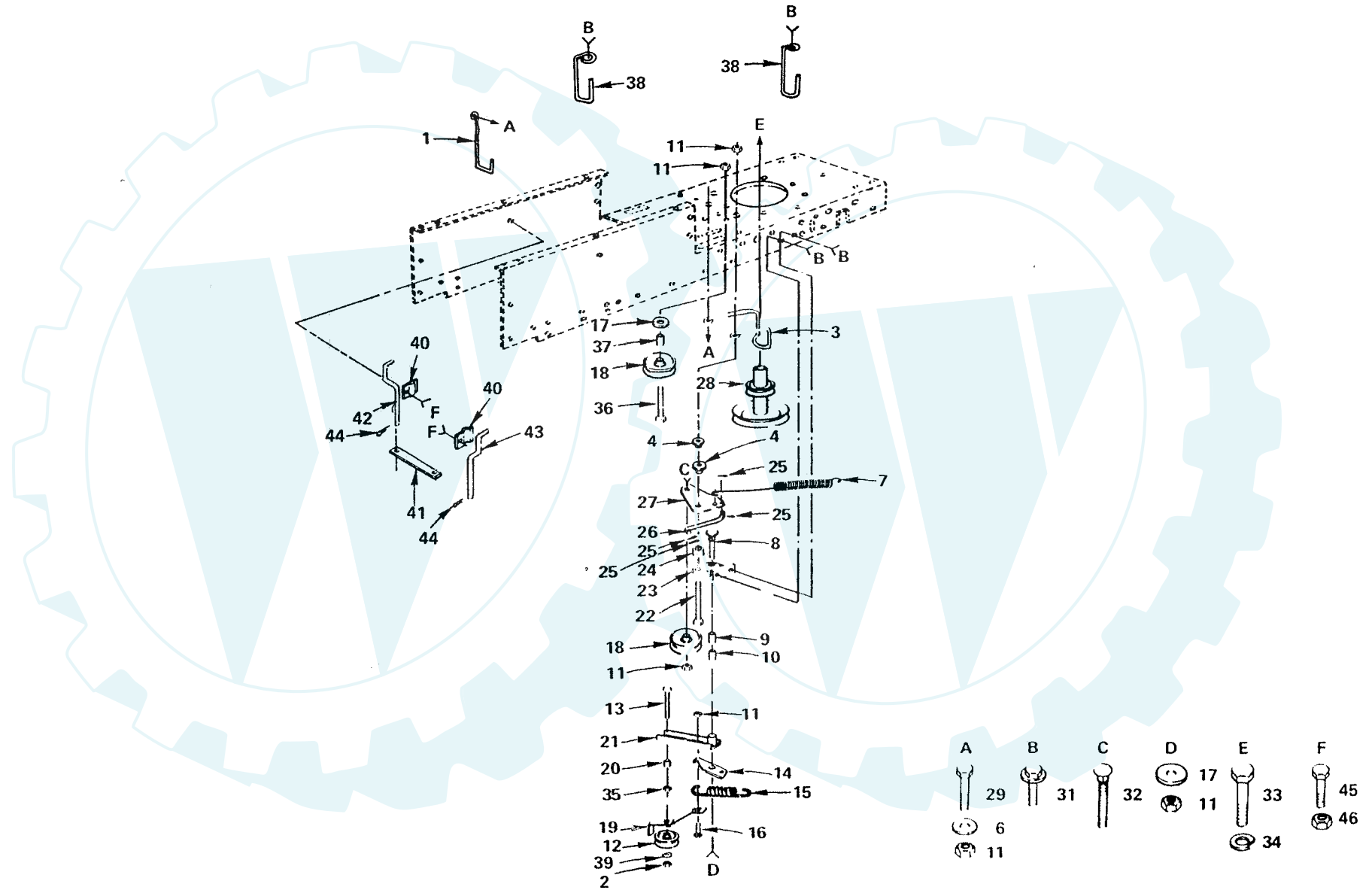
OPTIONAL EQUIPMENT

REPAIR PARTS

ROPER LAWN TRACTOR--MODEL NUMBER LT110ER

DRIVE GROUP

- 28 -



REPAIR PARTS

ROPER LAWN TRACTOR--MODEL NUMBER LT110ER

DRIVE GROUP

KEY NO.	PART NO.	DESCRIPTION
1	100697C	Guide - Belt, Lower, Engine Pulley
2	73850600	Nut - Centerlock 3/8 - 16
3	100505C	Guide - Belt, Pulley, Engine
4	102975X	Spacer - Bellcrank
6	19131312	Washer 13/32 x 13/16 x 12 Ga.
7	100640L	Spring - Clutch
8	72140620	Bolt Rd. Hd. Sq. Neck Carriage 3/8 16 x 2 - 1/2 Gr. 5
9	7835J	Bearing - Idler
10	7834J	Liner - Bearing
11	73680600	Nut - Crownlock 3/8 - 16
12	102932X	Idler - Flat
13	74930644	Bolt - Hex 3/8 - 16 x 2 - 3/4 Full Thd.
14	100837L	Bellcrank - Clutch
15	101383X	Spring - Extension
16	72140612	Bolt - Rd. Hd. Sq. Neck Carriage 3/8 - 16 x 1 - 1/2
17	191320i2	Washer 13/32 x 1 - 1/4 x 12 Ga.
18	3926J	Idler - Flat
19	100681K	Guard - Belt, Mower
20	100682K	Spacer - Split
21	100679L	Arm Assembly - Idler
22	74760656	Bolt - Hex 3/8 - 16 x 3 - 1/2
23	100677L	Bracket - Support, Clutch

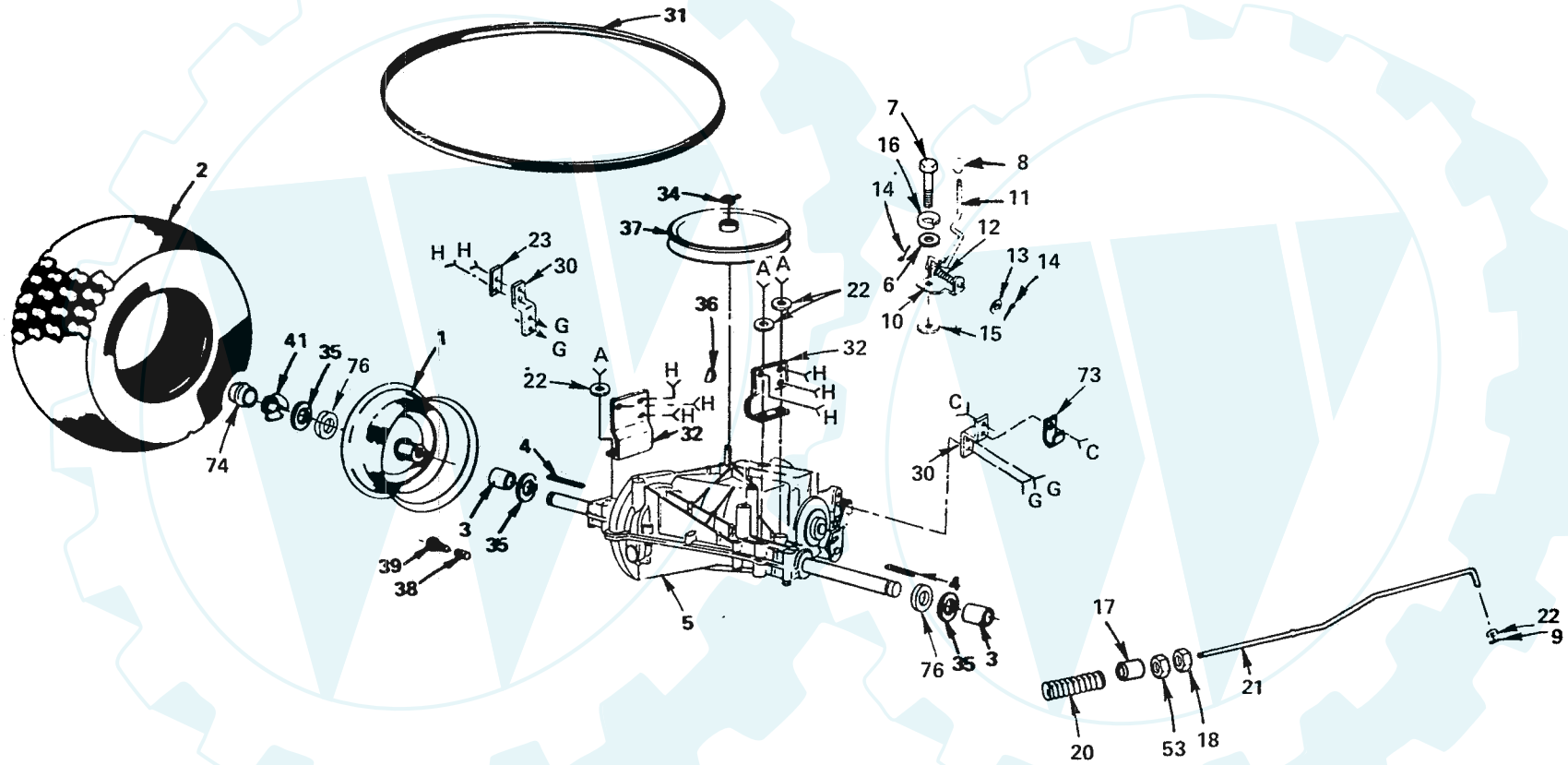
KEY NO.	PART NO.	DESCRIPTION
24	101278K	Spacer
25	76020412	Pin - Cotter 1/8 x 3/4
26	105374X	Link - Bellcrank, Clutch
27	105373X	Bellcrank - Clutch
28	100613N	Pulley - Engine
29	74760616	*Bolt - Hex 3/8 - 16 x 1
31	72240606	Bolt - Rd. Hd. Sq. Neck 3/8 - 16 x 3/4
32	72140612	Bolt - Rd. Hd. Sq. Neck Carriage 3/8 - 16 x 1 - 1/2
33	74770720	Bolt - Hex 7/16 - 20 x 1 - 1/4
34	10040700	*Washer - Lock 7/16
35	73220600	*Nut - Hex 3/8 - 16
36	74760644	*Bolt - Hex 3/8 - 16 x 2 - 3/4
37	101279K	Spacer - Split
38	104777X	Retainer - Belt, Chassis
39	19131316	*Washer 13/32 x 13/16 x 16 Ga.
40	106190X	Clamp
41	106294X	Strap - Locator
42	108331X	Keeper, Belt, L.H.
43	108332X	Keeper, Belt, R.H.
44	4921H	Spring - Retainer
45	74760512	*Bolt, Hex 5/16 - 18 x 3/4
46	73680500	Nut, Lock 5/16 - 18

*STANDARD HARDWARE--PURCHASE LOCALLY

REPAIR PARTS

ROPER LAWN TRACTOR--MODEL NUMBER LT110ER

TRANSAXLE AND REAR WHEEL



REPAIR PARTS

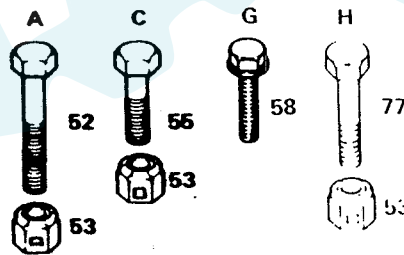
ROPER LAWN TRACTOR--MODEL NUMBER LT110ER

TRANSAXLE AND REAR WHEEL

KEY NO.	PART NO.	DESCRIPTION
1	106108X	Rim Assembly - 8" Rear
2	106268X	Tire - 18 x 9.50 - 8 (Tubeless)
---	7152J	Tube - Tire (not furnished with Tractor)
3	2935J	Spacer
4	2703J	Key - Square 3/16 x 2
5	109141X	Transaxle, 5 Speed, Foote Model No. 4150-26 (see pages 36 and 37 for parts breakdown)
6	19091210	Washer 9/32 x 3/4 x 10 Ga.
7	71040412	Bolt - Hex 1/4 - 28 x 3/4
8	106933X	Knob - Control
9	76020412	Cotter Pin 1/8 x 3/4
10	106919X	Plate - Rod, Shift
11	105699X	Rod - Shifter
12	105700X	Spring - Torsion
13	19151216	Washer 15/32 x 3/4 x 16 Ga.
14	76020416	*Pin, Cotter 1/8 x 1
15	105701X	Washer - Shift Plate
16	10040400	*Washer - Lock 1/4
17	9454R	Spacer 3/8 x 5/8 x 1.00
18	73350600	Nut - Jam 3/8 - 16
20	106888X	Spring - Rod, Brake
21	105752X	Rod - Brake
22	19131316	*Washer 13/32 x 13/16 x 16 Ga.
23	106157X	Plate - Strap, Torque

KEY NO.	PART NO.	DESCRIPTION
30	105842X	Strap - Torque
31	108310X	Belt - Ground Drive
32	3723J	Bracket - Transaxle
34	12000028	Ring - Klip
35	19252016	Washer 25/32 x 1 - 1/4 x 16 Ga. (2 to 4 as required)
36	2228M	Woodruff Key 3/16 x 3/4
37	106192X	Pulley - Input
38	59192	Cap - Valve
39	65139	Stem - Valve
41	12000001	E-Ring
52	74760644	*Bolt - Hex 3/8 - 16 x 2 - 3/4
53	73680600	Nut - Crownlock, 3/8 - 16
55	74760612	*Bolt - Hex 3/8 - 16 x 3/4
58	17490512	Screw Hex Washer Hd, Thd. Form. Type TT 5/16 - 18 UNC x 3/4
73	5320R	Clip - Insulated
74	104757X	Cap - Hub, Rear
76	19252616	Washer 25/32 x 1 - 5/8 x 16 Ga.
77	74760616	*Bolt - Hex 3/8 - 16 x 1

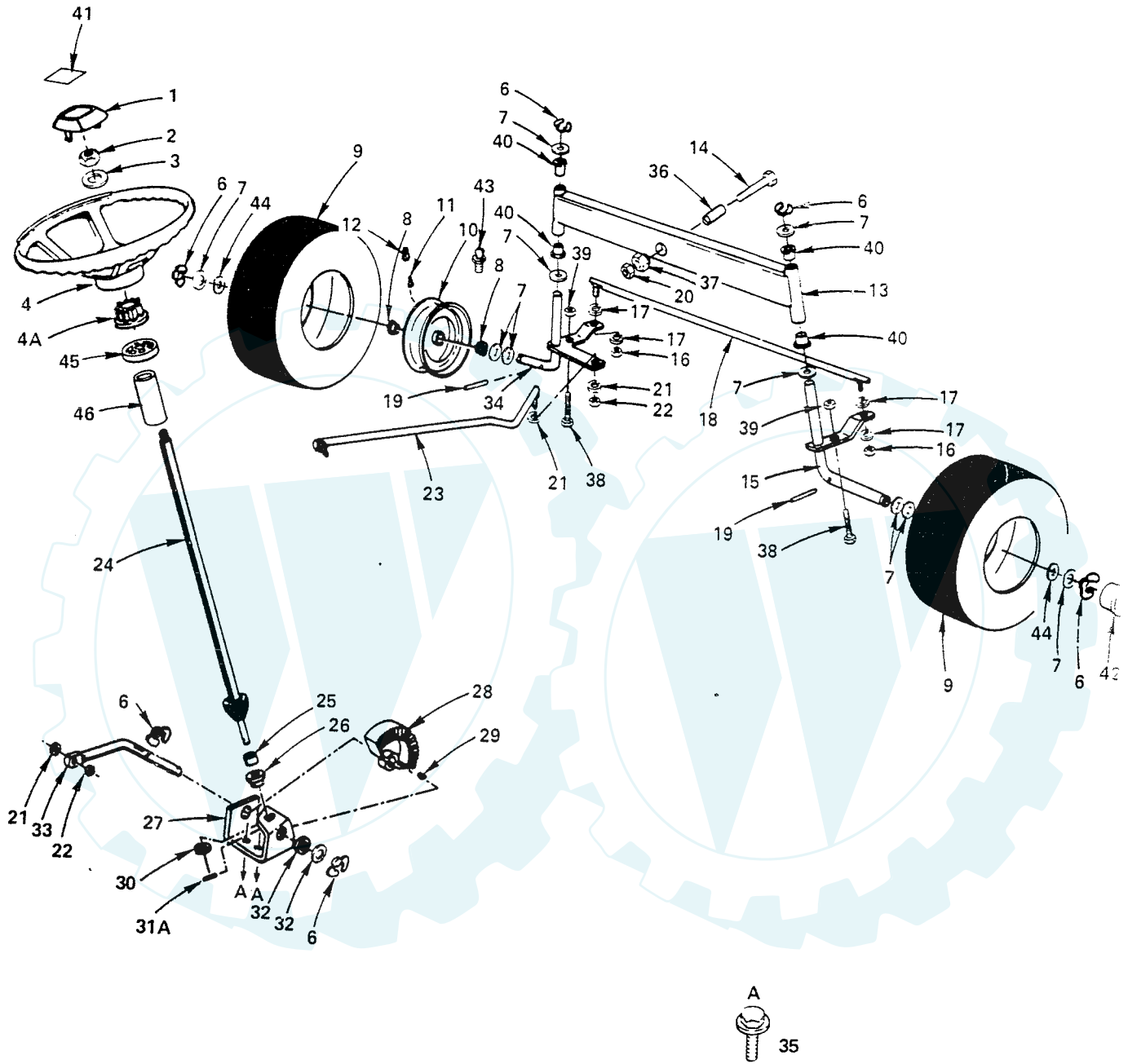
*STANDARD HARDWARE PURCHASE LOCALLY



REPAIR PARTS

ROPER LAWN TRACTOR MODEL NUMBER LT110ER

STEERING, FRONT AXLE AND WHEELS



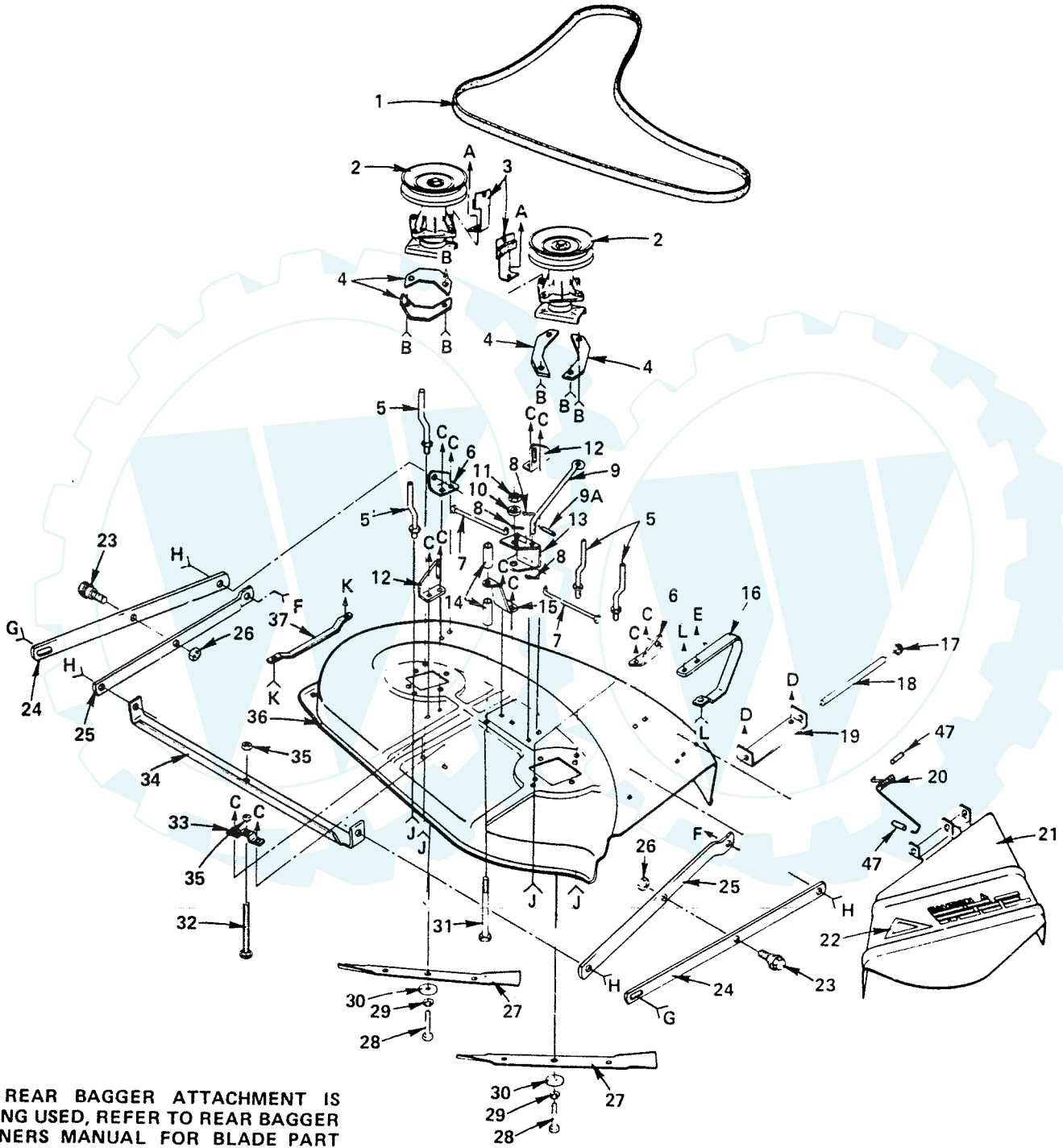
ROPER LAWN TRACTOR--MODEL NUMBER LT110ER

STEERING, FRONT AXLE AND WHEELS

KEY NO.	PART NO.	DESCRIPTION
1	100710L	Insert - Steering Wheel
2	73360800	*Nut - Hex Jam 1/2 - 20
3	100712K	Washer 17/32 x 2 - 1/4 x .160
4	100713N	Steering Wheel 13"
4A	100711L	Adapter - Wheel, Steering
6	12000029	Klipring
7	19252016	Washer 25/32 x 1 - 1/4 x 16 Ga.
8	9040H	Bearings - Wheel, Front
9	106222X	Tire - Rib Tread 15 x 6.00 - 6 (Tubeless)
...	59904	Tube - Tire (not furnished with Tractor)
10	106218X	Rim Assembly - 6" Front (Inc. 2 each Key No. 8)
11	65139	Stem - Valve
12	59192	Cap - Valve
13	102482X	Axle Assembly - Front
14	74761052	Bolt - Hex 5/8 - 11 x 3 - 1/4
15	100633L	Spindle Assembly - R.H.
16	73610500	*Nut - Hex 5/16 - 24
17	10040500	*Lockwasher 5/16
18	101005M	Tie Rod
19	9530R	Grooved Pin 3/16 x 1 - 1/4
20	73681000	Nut - Crownlock 5/8 - 11
21	10040600	*Lockwasher 3/8
22	-73610600	*Nut - Hex 3/8 - 24
23	100628N	Drag Link
24	105008X	Shaft Assembly - Steering
25	74580	Spacer
26	71208	Bushing - Steering Rod
27	102531X	Bracket Assembly - Steering
28	4301J	Gear - Sector
29	2228M	Woodruff Key 3/16 x 3/4
30	19212016	Washer 21/32 x 1 - 1/4 x 16 Ga.
31A	2882J	Drive Pin 3/16 x 1
32	6266H	Hardened Washer (1 - 3 as required)
33	100627L	Rod - Steering
34	100630L	Spindle Assembly - L.H.
35	17490612	Screw - Hex Washer Hd. Thread Forming Type TT 3/8 - 16 x 3/4
36	6826J	Tube - Pivot, Inner
37	156J	Shoulder Nut 5/8 - 11
38	74930644	Bolt - Hex 3/8 - 16 x 2 - 3/4
39	73510600	Nut - Hex Keps 3/8 - 16
40	3366R	Bearing
41	104590X	Decal - Steering Wheel
42	104757X	Cap - Hub, Front
43	278H	Grease Fitting
44	19252616	Washer 25/32 x 1 - 5/8 x 16 Ga.
45	106943X	Spacer - Shaft, Steering
46	106944X	Tube - Shaft, Steering

*STANDARD HARDWARE--PURCHASE LOCALLY

MOWER



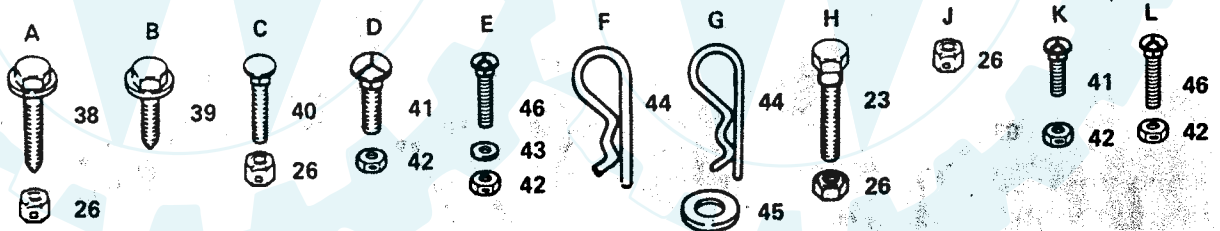
IF REAR BAGGER ATTACHMENT IS BEING USED, REFER TO REAR BAGGER OWNERS MANUAL FOR BLADE PART NO.

ROPER LAWN TRACTOR--MODEL NUMBER LT110ER

MOWER

KEY NO.	PART NO.	DESCRIPTION	KEY NO.	PART NO.	DESCRIPTION
1	106085X	V-Belt	28	74610624	*Bolt - Hex 3/8 - 24 x 1 - 1/2 Gr. 5
2	105891X	Jackshaft Assembly	29	10040600	*Lockwasher 3/8 Heavy
3	106578X	Brake Assembly	30	19132012	Washer 13/32 x 1 - 1/4 x 12 Ga.
4	100668L	Plate - Support, Jackshaft	31	74760680	Bolt - Hex 3/8 - 16 x 5
5	102669X	Belt Keeper	32	106203X	Bolt - Rd. Hd. Sq. Neck Carriage 3/8 - 16 x 3 Gr. 5 - 2 - 1/2" Min. Thd.
6	100659L	Bracket - Suspension, Front	33	100836K	Bracket - Suspension, Rear
7	100675K	Rod - Brake, Secondary	34	100664L	Crossbar
8	76020412	Pin - Cotter 1/8 x 3/4	35	73220600	*Nut - Hex 3/8 - 16
9	101992X	Rod Assembly - Brake, Primary (Inc. Key No. 9A)	36	100666M	Housing Assembly - Mower
9A	1793H	Roll Pin	37	7631J	Runner - L.H.
10	19131316	*Washer 13/32 x 13/16 x 16 Ga.	38	17490620	Screw - Hex Washer Hd. Thread Cutting 3/8 - 16 x 1 - 1/4 Type TT
11	73930600	Locknut - Center 3/8 - 16	39	17490612	Screw - Hex Washer Hd. Thread Cutting 3/8 - 16 x 3/4 Type TT
12	100665L	Bracket - Lift	40	72240606	*Bolt - Rd. Hd. Sq. Neck Carriage 3/8 - 16 x 3/4
13	100674L	Bracket - Brake, Pivot	41	72140505	Bolt - Rd. Hd. Sq. Neck Carriage 5/16 - 18 x 5/8 Gr. 5
14	100672K	Spacer - Brake	42	73680500	Locknut - Gripco 5/16 - 18
15	100673L	Bracket - Support	43	19111216	Washer 11/32 x 3/4 x 16 Ga.
16	8417J	Runner - R.H.	44	4939M	Retainer - Spring
17	5846R	Pushnut	45	19171616	Washer 17/32 x 1 x 16 Ga.
18	100731K	Rod - Hinge	46	72140506	Bolt - Rd. Hd. Sq. Neck Carriage 5/16 - 18 x 3/4 Gr. 5
19	4672J	Bracket - Deflector	47	105304X	Cap - Sleeve
20	4897J	Spring - Deflector			
21	6815J	Shield - Deflector			
22	78850	Decal - Warning			
23	100662K	Bolt - Shoulder 3/8 - 16			
24	100661L	Arm - Suspension, Outer			
25	100660L	Arm - Suspension, Inner			
26	73680600	Nut - Crownlock 3/8 - 16			
27	106634X	Blade - Mower 38"			

*STANDARD HARDWARE--PURCHASE LOCALLY

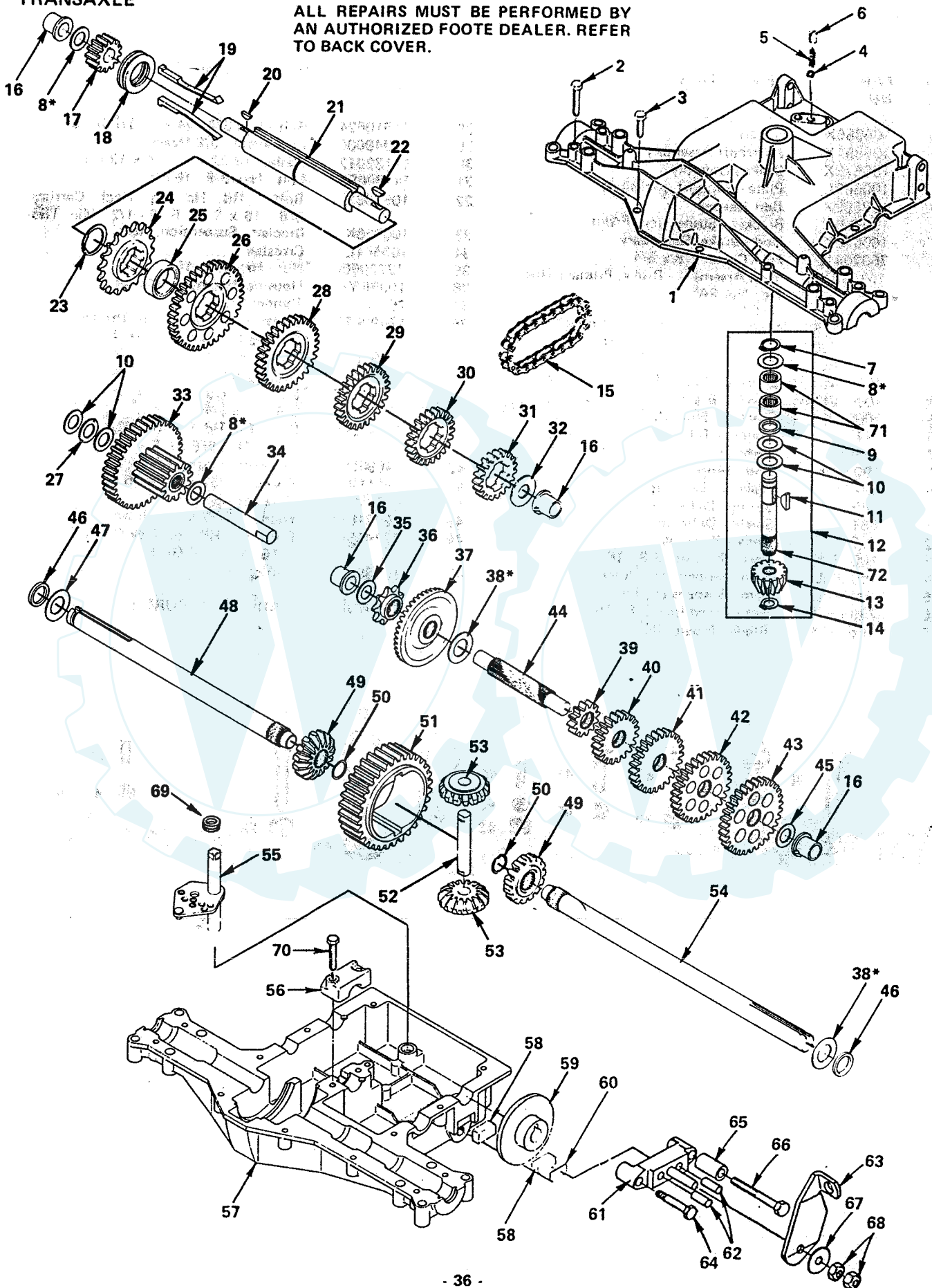


REPAIR PARTS

ROPER LAWN TRACTOR MODEL NUMBER T110ER
TRANSAXLE FOOTE--MODEL NUMBER 4150-26

TRANSAXLE

ALL REPAIRS MUST BE PERFORMED BY
AN AUTHORIZED FOOTE DEALER. REFER
TO BACK COVER.



REPAIR PARTS

ROPER LAWN TRACTOR--MODEL NUMBER LT110ER TRANSAXLE FOOTE--MODEL NUMBER 4150-26

TRANSAXLE

KEY NO.	PART NO.	DESCRIPTION	KEY NO.	PART NO.	DESCRIPTION
1	3655-A	Housing, Upper	37	3772	Gear, Bevel, 42T.
2	1360	Screw, Tapping, 1/4 - 20 x 1.31 Lg.	38	3749	Washer, Plain, .758 x 1.12 x .010
3	3396	Screw, Tapping, 1/4 - 20 x .875 Lg.	38	3652	Washer, Plain, .758 x 1.12 x .015
4	1151	Ball, Detent	38	3693	Washer, Plain, .758 x 1.12 x .020
5	3626	Spring, Detent	38	3653	Washer, Plain, .758 x 1.12 x .025
6	3623	Screw, Set	38	3408	Washer, Plain, .758 x 1.25 x .020
7	1099	Ring, Retaining	38	3732	Washer, Plain, .758 x 1.25 x .025
8	1441	Washer, Plain, .632 x 1.00 x .020	38	3184	Washer, Plain, .758 x 1.25 x .031
8	1423	Washer, Plain, .632 x 1.00 x .026	38	3733	Washer, Plain, .758 x 1.25 x .035
8	1082	Washer, Plain, .632 x 1.00 x .031	38	3198	Washer, Plain, .758 x 1.25 x .040
8	1424	Washer, Plain, .632 x 1.00 x .036	38	3734	Washer, Plain, .758 x 1.25 x .045
8	1068	Washer, Plain, .632 x 1.00 x .041	38	3735	Washer, Plain, .758 x 1.25 x .050
8	1425	Washer, Plain, .632 x 1.00 x .046	38	3736	Washer, Plain, .758 x 1.25 x .055
8	1358	Washer, Plain, .632 x 1.00 x .050	38	3180	Washer, Plain, .758 x 1.25 x .062
8	1145	Washer, Plain, .632 x 1.00 x .060	39	3646	Gear, Spur, 12T
8	1319	Washer, Plain, .632 x 1.00 x .082	40	3637	Gear, Spur, 20T
9	3312	O-Ring	41	3719	Gear, Spur, 25T
10	1425	Washer, Plain, .632 x 1.00 x .046	42	3648	Gear, Spur, 28T
11	1374	Key, Woodruff, No. 9	43	3683	Gear, Spur, 31T
12	4171	Assembly, Kit, Input Shaft (Inc's. Key No's. 7, 8, 9, 11, 13, 14, 72 & 2 each Key No's. 10 & 71)	44	3657	Shaft, Drive
13	3725	Pinion, 14T	45	1145	Washer, Plain, .640 x 1.00 x .060
14	3624	Ring, Retaining	46	3191	Seal, Felt
15	3625	Chain, 24 Pitches	47	3184	Washer, Plain, .758 x 1.25 x .031
16	1542	Bearing, Flange	48	3777	Axle, L.H.
17	3773	Gear, Spur, 14T	49	3155	Gear, Miter, 15T.
18	3631	Collar, Clutch	50	3395	Ring, Retaining
19	3676	Key, Clutch	51	3154	Gear, Spur, 32T
20	1369	Key, Woodruff, No. 3	52	3179	Shaft, Cross
21	3663	Shaft, Intermediate	53	3156	Gear, Miter, 15T.
22	1375	Key, Woodruff, No. 61	54	3778	Axle, R.H.
23	3627	Ring, Retaining	55	4192	Ass'y., Shifter
24	3640	Sprocket, 18T	56	3775	Cap, Support
25	3710	Spacer	57	3654-B	Housing, Lower
26	3786	Gear, Spur, 37T	58	3757	Puck, Friction
27	3422	Spacer, .630 x 1.00 x .169	59	3276	Disc, Brake
28	3784	Gear, Spur, 30T	60	3758	Spacer
29	3783	Gear, Spur, 25T	61	4188	Assembly, Jaw, Brake
30	3782	Gear, Spur, 22T	62	3754	Pin, Dowel
31	3741	Gear, Spur, 19T	63	3768	Lever, Actuating
32	3628	Washer, Plain, .640 x 1.37 x .061	64	3770	Screw, Tapping, 5/16 - 18 x 1.50 Lg.
33	4193	Assembly, Gear, Comb., 12T & 35T	65	3752	Spacer, .323 x .563 x 1.00 Lg.
34	3658	Shaft, Idler	66	3771	Screw, Tapping 5/16 - 18 x 2.50 Lg.
35	1959	Washer, Plain, .631 x 1.00 x .010	67	3760	Washer, Plain, .321 x 1.00 x .055
36	3645	Sprocket, 9T	68	3759	Nut, Lock 5/16 - 24
			69	3789	V-Ring
			70	3724	Screw, Tapping, 5/16 - 18 x 1.44 Lg.
			71	1709	Bearing, Needle
			72	-----	+Input Shaft

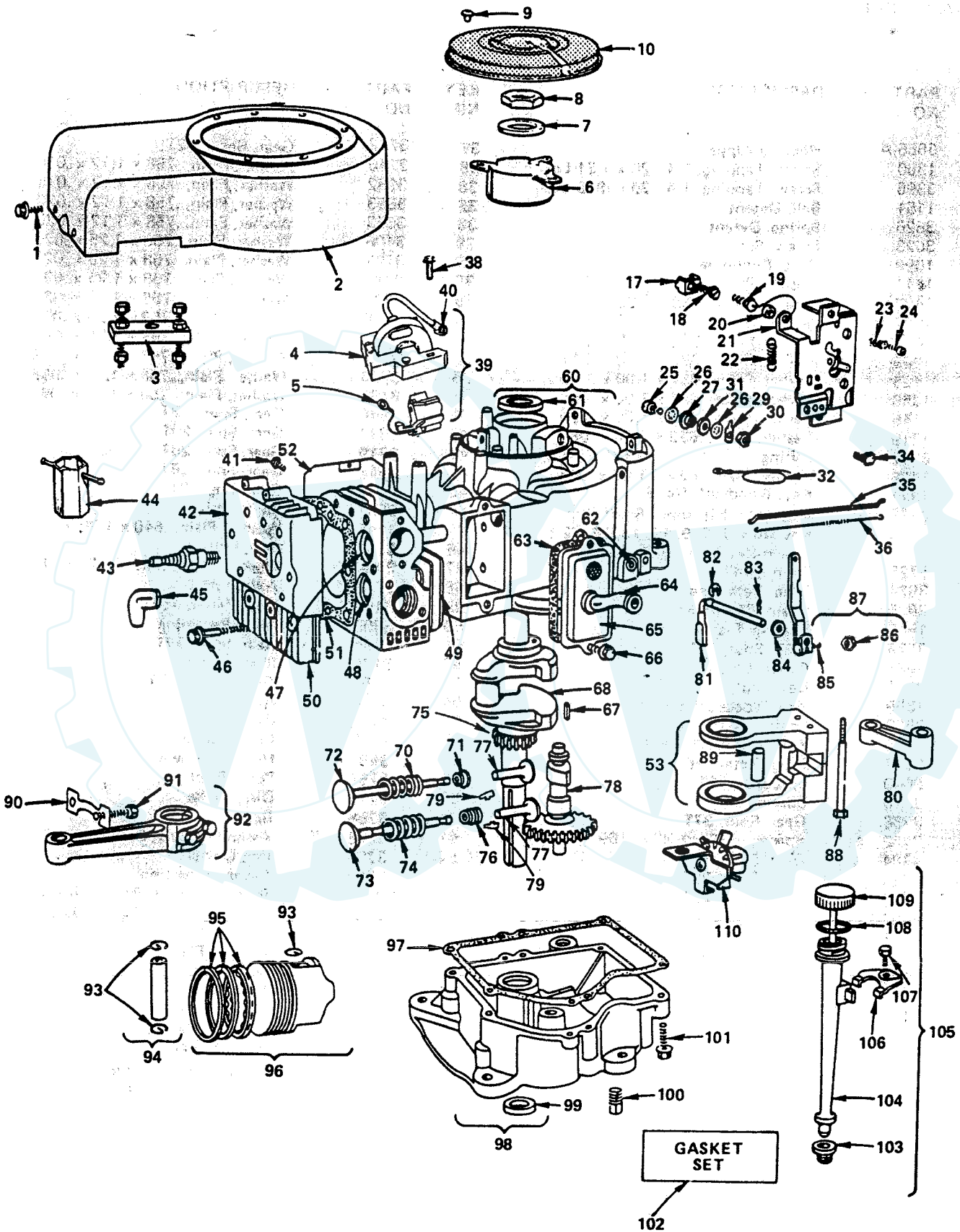
* USE IN VARIOUS COMBINATIONS TO MAINTAIN PROPER CLEARANCES

+NOT SOLD SEPARATELY--ORDER KEY NO. 12

REPAIR PARTS

ROPER LAWN TRACTOR--MODEL NUMBER LT110ER
ENGINE BRIGGS AND STRATTON--MODEL NUMBER 253707, TYPE NUMBER 0154-01

CYLINDER BLOCK GROUP



REPAIR PARTS

www.ersatzteil-service.de

ROPER LAWN TRACTOR--MODEL NUMBER LT110ER

ENGINE BRIGGS AND STRATTON--MODEL NUMBER 253707, TYPE NUMBER 0154-01

CYLINDER BLOCK GROUP

KEY NO.	PART NO.	DESCRIPTION	KEY NO.	PART NO.	DESCRIPTION
1	93158	Screw - Blower Hsg. Mtg. Sem	71	221596	Retainer - Intake Valve
2	391556	Housing - Blower	72	261462	Valve - Intake
3	19203	Puller - Flywheel	73	261185	Valve - Exhaust
4	395326	Armature Assembly (Less Trigger Coil)	74	26828	Spring - Exhaust Valve
5	394970	Trigger Coil	75	261196	Gear - Timing
6	222561	Cup - Screen Mtg.	76	292260	Rotocoil - Exhaust Valve
7	220865	Washer - Spring	77	261183	Tappet - Valve
8	92284	Nut - Hex	78	212296	Gear - Cam
9	93805	Screw - Sem	79	93630	Retainer - Exhaust Valve Rotocoil (2)
10	222562	Screen - Flush Rotating	80	212359	Link - Counterweight
17	221535	Clamp - Casing	81	231058	Crank - Governor
18	93496	Screw - Sem	82	93307	Retainer - E-Ring
19	93572	Screw - Control Brkt. Mtg.	83	93306	Cotter - Hairpin
20	231039	Spacer - Control Brkt. Mtg.	84	222450	Washer - Governor Crank
21	396199	Plate - Gov. Contol	85	92613	Bolt - Governor Lever
22	261306	Spring - Governor	86	231082	Nut - Hex 10 - 24
23	26157	Spring - Throttle Adjustment	87	391733	Lever Assy. - Governor (Inc. Key No's. 85 & 86)
24	90200	Screw - Fill.-Hd.			
25	91920	Screw - Terminal (Fill. Hd.)	88	93875	Screw - Counterweight
26	92791	Washer - Lock - Shakeproof	89	298909	Pin - Counterweight
27	66554	Collar - Insulating	90	222299	Lock - Conn. Rod Screw
29	93722	Terminal - Spade	91	92909	Screw - Conn. Rod
30	90576	Nut - Hex 8 - 32	92	391775	Rod Assy. - Conn. (Inc. Key No's. 90 & 91)
31	66068	Washer - Insulating	93	260924	Lock - Piston Pin
32	299500	Wire - Ground	94	299691	Pin Assy. - Piston - Std. (Inc. Key No. 93)
34	93572	Screw	94	391286	Pin Assy. - Piston .005" O.S.
35	261609	Link - Governor	95	394665	Ring Set - Piston - Std.
36	260584	Spring - Governor Link	95	391781	Ring Set - Piston .010" O.S.
38	93381	Screw - Armature Mtg. Sem	95	391782	Ring Set - Piston .020" O.S.
39	395492	Armature Group	95	391783	Ring Set - Piston .030" O.S.
40	221798	Terminal - Ignition Cable	96	394661	Piston Assy. - Std. (Inc. Key No's. 93 & 95)
41	93163	Screw - Cylinder Shield Mtg. Sem	96	394662	Piston Assy. - .010" O.S.
42	222725	Cover - Cylinder Head	96	394663	Piston Assy. - .020" O.S.
43	293918	Plug - Spark	96	394664	Piston Assy. - .030" O.S.
44	89838	Plug - Spark - Wrench	97	270808	* Gasket - Crankcase Cover 1/64" thick
45	66538	Elbow - Spark Plug	97	270915	* Gasket Crankcase Cover .005" thick
46	93723	Screw - Cylinder Head	97	270916	* Gasket Crankcase Cover .009" thick
47	261463	+Seat - Intake Valve	97	270916	Sump - Oil (Inc. Key No's. 97 & 99)
48	210940	+Seat - Exhaust Valve	98	391784	Seal - Oil
49	291961	+Guide - Exhaust Valve	99	291675	Plug - Oil Drain
50	212300	Head - Cylinder	100	91084	Screw - Sump Mtg. Sem
51	271075	* Gasket - Cylinder Head	101	93585	Gasket Set
52	222744	Shield - Cylinder	102	393411	Seal - Filler Tube
53	391373	Counterweight Assembly (Inc. Key No. 89)	103	68838	Tube - Oil Filler
60	395705	Cylinder Assy. (Inc. Key No. 61)	104	280134	Fill Group - Oil (Inc. Key No's. 103, 104, 106, 107, 108 & 109)
61	391086	Seal - Oil	105	392067	Clamp - Oil Filler Tube
62	231055	Bushing - Gov. Crank	106	222502	Screw - Clamp Mtg.
63	27803	* Gasket - Valve Cover	107	93804	Seal - Oil Filler Cap
64	280100	Tube - Breather	108	270920	Cap & Dipstick - Oil Filler
65	391406	Breather Assembly	109	391841	Oil Slinger, Gov. Gear & Bracket Assy.
66	93394	Screw - Sem	110	391764	
67	222698	Key - Flywheel			
68	392299	Crankshaft			
70	65906	Spring - Intake Valve			

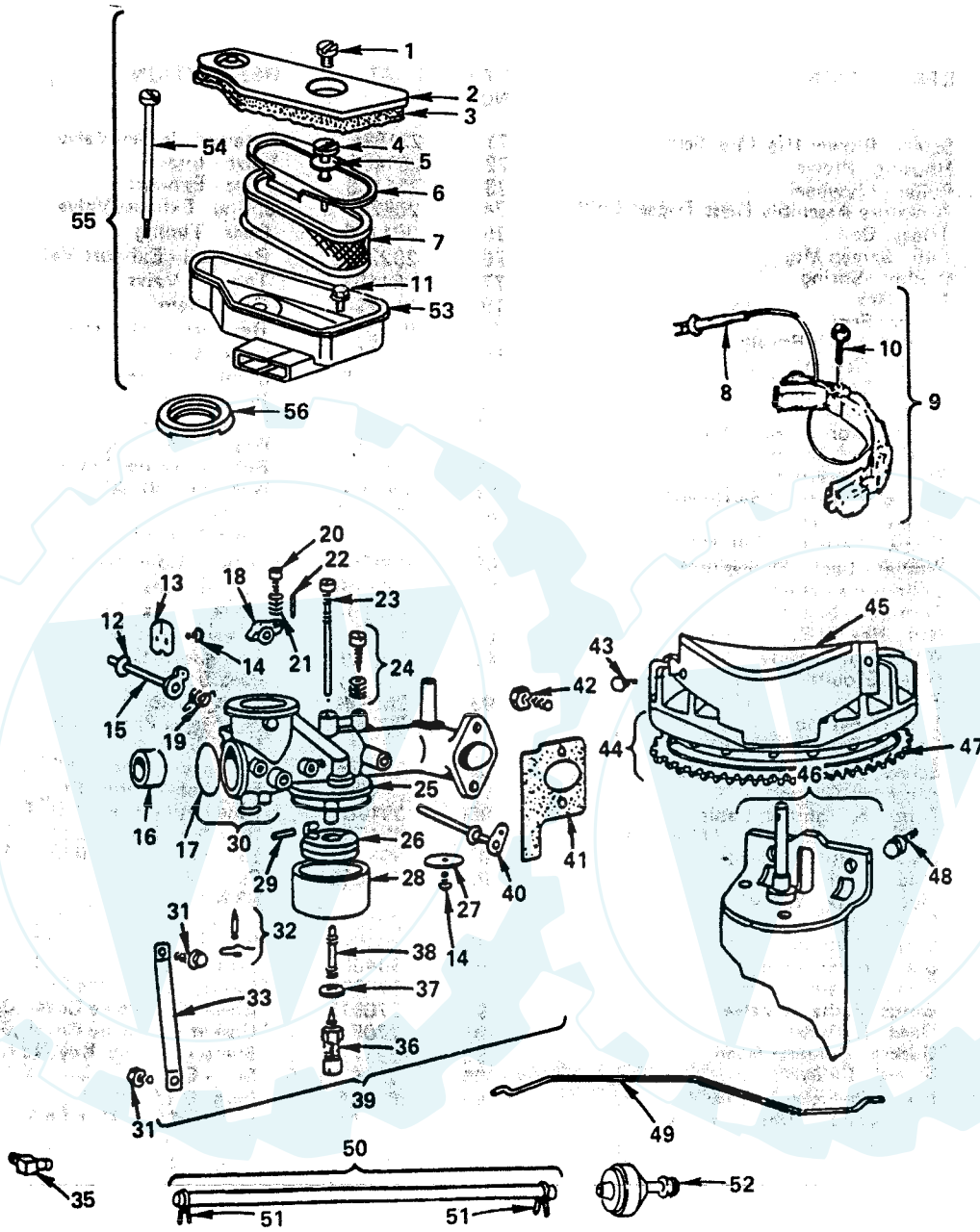
+Special Tools Required to Install
* Included in Gasket Set - Part No. 393411

REPAIR PARTS

www.ersatzteil-service.de

ROPER LAWN TRACTOR--MODEL NUMBER LT110ER
ENGINE BRIGGS AND STRATTON--MODEL NUMBER 253707, TYPE NUMBER 0154-01

CARBURETOR



ROPER LAWN TRACTOR--MODEL NUMBER LT110ER
ENGINE BRIGGS AND STRATTON--MODEL NUMBER 253707, TYPE NUMBER 0154-01

CARBURETOR

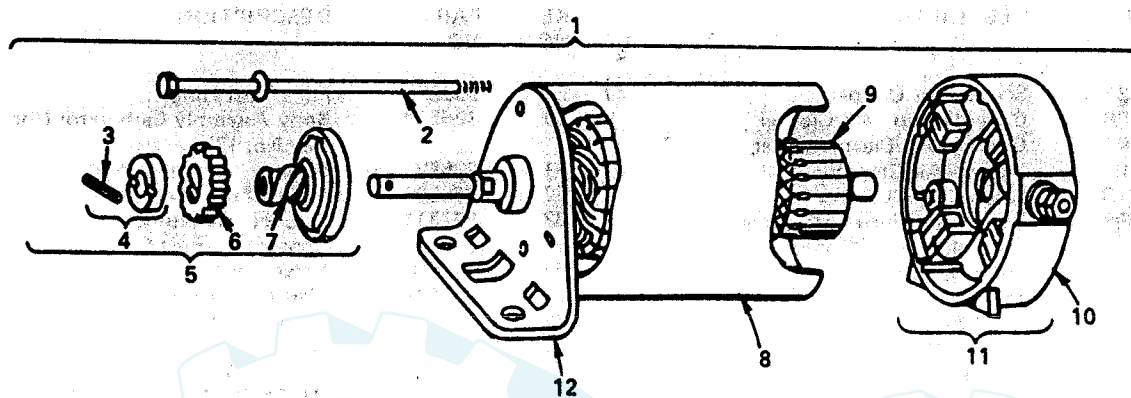
KEY NO.	PART NO.	DESCRIPTION	KEY NO.	PART NO.	DESCRIPTION
1	93913	Screw - Air Cleaner	29	230896	+Pin - Float Hinge
2	396966	Cover Group - Air Cleaner	30	396574	Body Assembly Carburetor (Inc. Key No. 17)
3	271591	Gasket - Air Cleaner Cover	31	93572	Screw
4	93910	Screw - Air Cleaner	32	299096	+Valve - Fuel Inlet
5	270978	Washer - Air Cleaner	33	222311	Bracket - Carburetor
6	222898	Plate - Air Cleaner Cartridge	35	67218	Connector - Fuel Pipe
7	393725	Cartridge - Air Cleaner	36	396568	+Valve - Needle
8	393814	Diode & Connector	37	222014	+Washer - Float Bowl
9	391529	Stator - Alternator (Inc. Key No's. 8 & 10)	38	231323	+Screw - Nozzle
10	93621	Screw - Sem	39	396501	Carburetor Assy. (Inc. Key No's. 12, 13, 14, 15, 16, 17, 18, 19, 20, 21, 22, 23, 24, 25, 26, 27, 28, 29, 30, 31, 32, 33, 36, 37 & 38)
11	94018	Screw - Sem	40	391512	Shaft & Lever - Throttle
12	270382	Washer - Choke Shaft	41	270872	*Gasket - Carburetor Mounting
13	222010	Valve - Choke	42	93357	Screw - Carburetor Mounting
14	93499	Screw - Throttle & Choke Valve Mtg. Sem	43	93984	Screw - Sem
15	390684	Shaft & Lever - Choke	44	391988	Flywheel & Ring Gear Assy. - Magneto (Inc. Key No. 47)
16	211960	Venturi - Carburetor	45	395405	Cover & Shield - Starter
17	221997	+Plug - Welch	46	394805	Motor - Starting
18	211712	Stop - Throttle	47	392134	Gear - Ring (Inc. Mounting parts)
19	261116	Spring - Choke Return	48	93535	Screw - Sem
20	91920	Screw - Machine, Filh. Hd. 8 - 32 x 5/8	49	261610	Link - Choke
21	26157	Spring - Throttle Adjustment	50	299146	Line - Fuel (cut to desired length) (Inc. Key No. 51)
22	93043	Pin - Throttle Stop	51	93053	Clamp - Fuel Pipe
23	299740	+Nozzle - Carburetor	52	298090	Filter - Fuel
24	292681	+Valve Assembly - Carburetor Idle	53	393726	Body - Air Cleaner
25	270511	+Gasket - Float Bowl	54	93911	Screw - Air Cleaner
26	299707	Float - Carburetor	55	393749	Cleaner - Air (Inc. Key No's. 1, 2, 3, 4, 5, 6, 7, 11, 53 & 54)
27	222858	Valve - Throttle	56	270853	Gasket - Air Cleaner
28	221995	Bowl - Float	---	394698	Carburetor Overhaul Kit

+Included in Carburetor Overhaul Kit - Part No. 394698
*Included in Gasket Set - Part No. 393411

REPAIR PARTS

ROPER LAWN TRACTOR--MODEL NUMBER 1130ER
 ENGINE BRIGGS AND STRATTON--MODEL NUMBER 253707, TYPE NUMBER 0154-01

STARTER - MOTOR



KEY NO.	PART NO.	DESCRIPTION	KEY NO.	PART NO.	DESCRIPTION
1	394805	Motor - Starting (Inc. Key No's. 2, 3, 4, 5, 6, 7, 8, 9, 10, 11 & 12)	7	391135	Clutch Assembly
2	94003	Thru Bolt Assembly	8	393825	Housing Assembly
3	93754	Roll Pin	9	392747	Armature Assembly
4	391462	Retainer & Pin (Inc. Key No. 3)	10	395538	Brush Assembly
5	391461	Drive Assembly (Inc. Key No's 3, 4, 6 & 7)	11	395537	End Cap Assy. Commutator (Inc. Key No. 10)
6	280104	Gear	12	394856	End Cap Assy. Drive