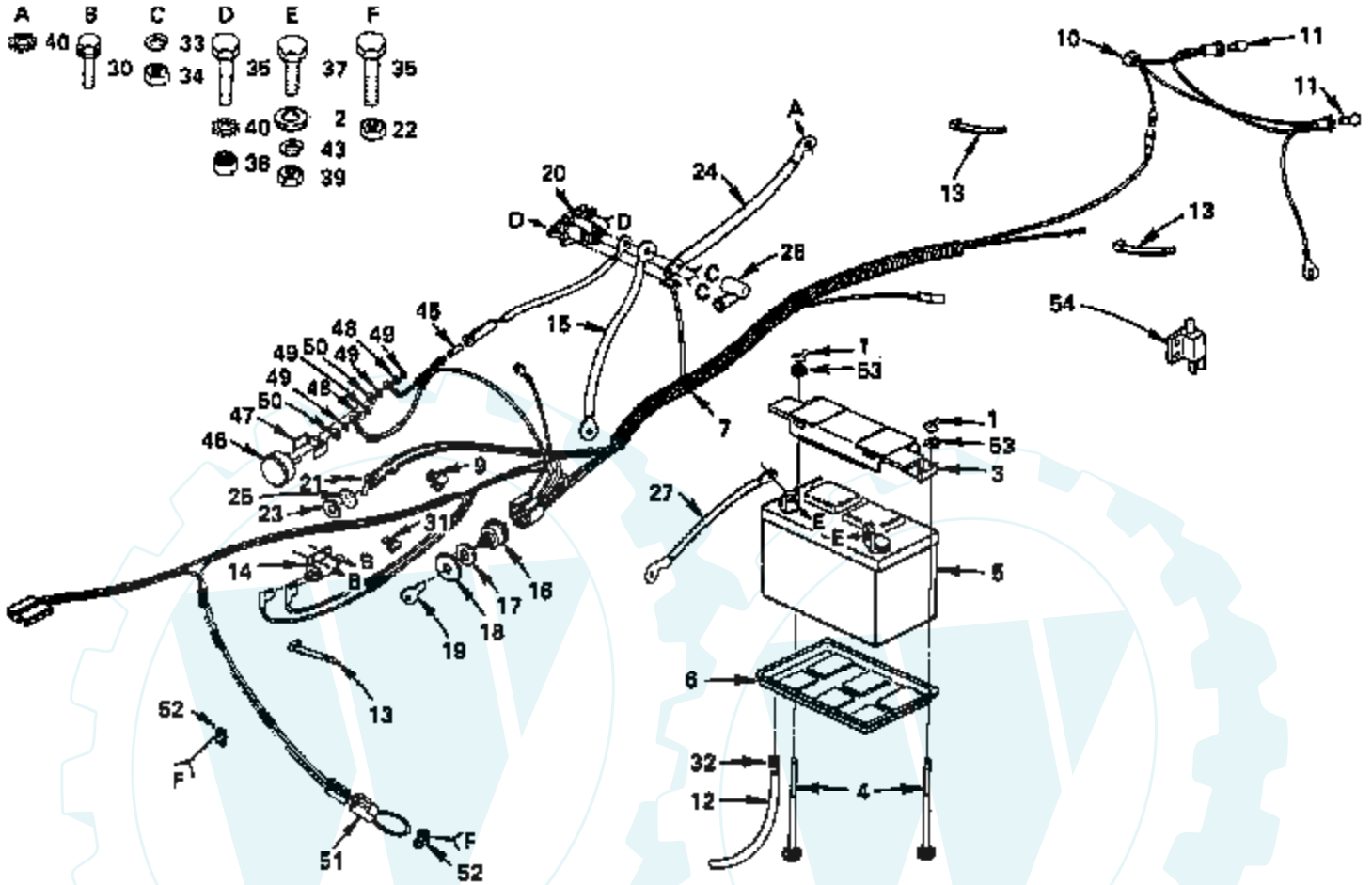


ROPER LAWN TRACTOR--MODEL NUMBER LT110DR

ELECTRICAL

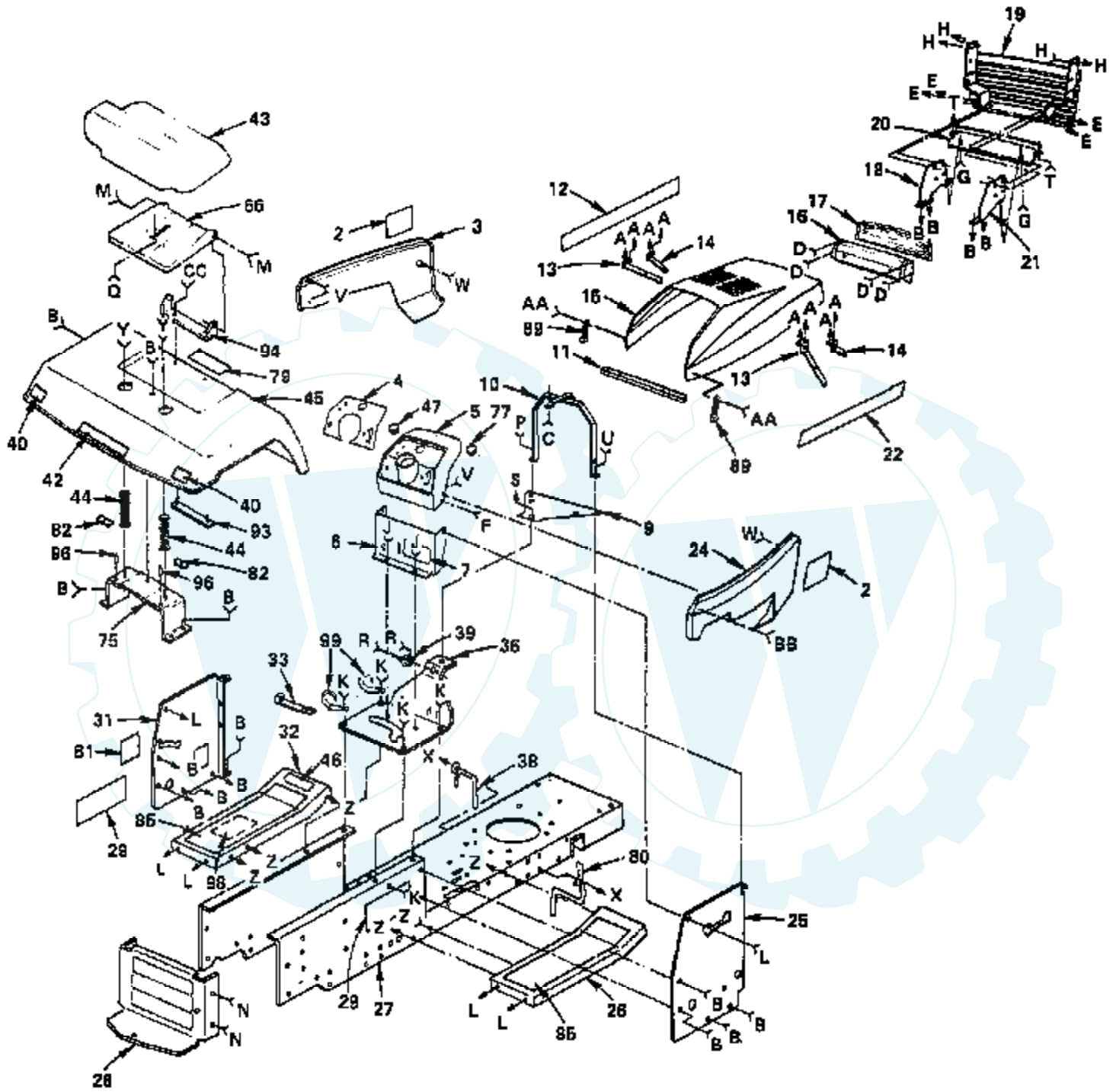


*STANDARD HARDWARE-PURCHASE LOCALLY

Ref #	Part Number	Qty	Description
1	73490400		SUB= 146525
2	19091016		WASHER
3	105371X		SUB= 150109
4	72240460		BOLT
5	104921X		SUB= 123888X
6	105372X		"TRAY, BATTERY LT"
7	108055X		HARNESS, IGNITION
9	4171R		CLIP T
10	7661J		HARNESS T
11	7662J		SUB= 4152J
12	100656K		SUB= 7697J
13	7192J		WIRE TIE
14	7755R		SWITCH T
15	2957J		"CABLE T, BATTERY"
16	4406R		SUB= STD365402
17	11151000		LOCKWASHER
18	3258J		CONDUIT NUT L
19	7552H		SUB= STD365410
20	2008J		SUB= 146154
21	4482J		LIGHT SWITCH T
22	73680400		SUB= 73690400
23	7320R		NUT
24	5907J		SUB= 597J
25	19151116		WASHER
26	719J		SUB= 154336
27	2955J		CABLE ASSY LT
30	17541208		NLA
31	2751R		CLIP T
32	6999R		SUB= 123487X
33	10090400		SUB= 10040400
34	73350400		NUT
35	74780408		BOLT
36	73510400		NUT
37	74760412		BOLT LT
39	73220400		SUB= 50675
40	11050400		LOCKWASHER
43	10040400		LOCKWASHER
45	6374R		FUSE-30 AMP
46	9433R		AMMETER T
47	6009J		SUB= 532131708
48	6952J		SUB= 10071000
49	6953J		NLA
50	6951J		NLA
51	102501X		SUB= 141940
52	235R		CLIPT
53	11030400		LOCKWASHER GT
54	104445X		SWITCH-INTER. GT
	101539X		SHEET INSTR LT
	106962X		NLA

ROPER LAWN TRACTOR--MODEL NUMBER LT110DR

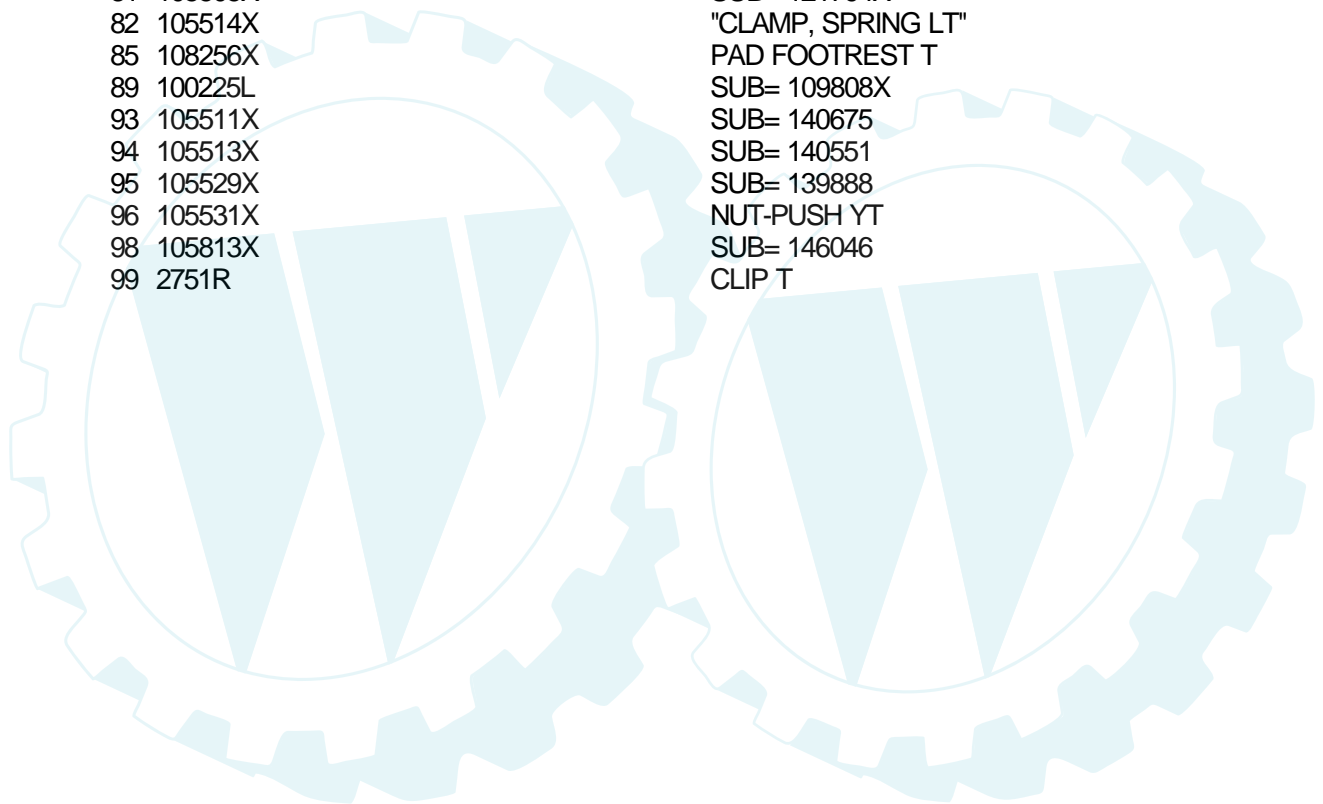
ENCLOSURES

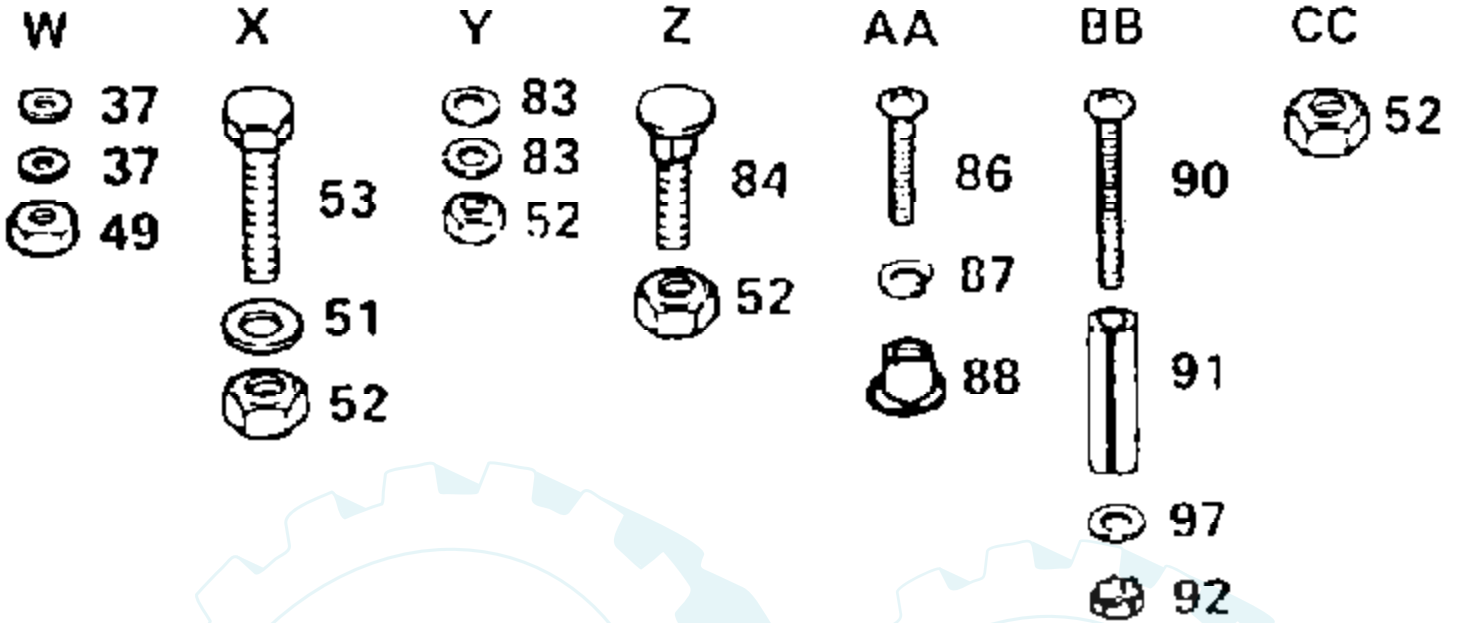


- | | | | | | | | | | | | | | | | | | | | | | | |
|----|----|----|----|----|----|----|----|----|----|----|----|----|----|----|----|----|----|----|----|----|----|--|
| A | B | C | D | E | F | G | H | J | K | L | M | N | P | Q | R | S | T | U | V | | | |
| 48 | 49 | 37 | 48 | 55 | 53 | 63 | 68 | 60 | 76 | 65 | 50 | 95 | 67 | 63 | 69 | 72 | 73 | 78 | 63 | 37 | 49 | |
| 57 | 49 | 49 | 56 | 52 | 51 | 52 | 62 | 34 | 70 | 51 | 34 | 67 | 63 | 70 | 74 | 74 | 37 | 63 | 37 | 49 | 49 | |
| | | | | | 51 | | | | | | | | | 70 | | | | | | | 64 | |
| | | | | | 52 | | | | | | | | | 64 | 71 | | | | | | | |

Ref #	Part Number	Qty	Description
2	108563X		NLA
3	108442X358		SUB= 132637X505
4	105414X		NLA
5	106099X		DASHBOARD LT
6	104783X		DASH ASSY LT
7	108456X		SUB= 138955
9	106965X		SUB= 140181
10	104786X		SUPPORT ASSY LT
11	105037X		FOAM-STRIP LT
12	104643X		NLA
13	106784X		SUB= 155013
14	104618X		SUB= 155013
15	108370X358		SUB= 150301X505
16	104613X		SUB= 147717
17	106395X		LENS LT
18	104632X		SUPPORT-GRILL LT
19	104801X		NLA
20	104634X358		SUB= 105419X388
21	104633X		NLA
22	104644X		NLA
24	108443X358		SUB= 132636X505
25	106976X		PANEL DASH RH YT
26	105464X358		SUB= 145243X505
27	108436X		SUB= 109512X
28	102481X		SUB= 145009
29	104808X		NLA
31	106966X		PANEL DASH HYT
32	105465X358		SUB= 145244X428
33	7192J		WIRE TIE
34	73680500		SUB= 73690500
36	108263X		SUB= 108263X012
37	19091216		WASHER PM
38	106301X		SUB= 121440X
39	1554J		SUB= 155108
40	106202X		REFLECTOR-TAIL YT
42	104810X		NLA
43	106855X		SUB= 140121
44	105512X		SPRING LT
45	108057X358		SUB= 109640X388
46	4900J		DECAL T
47	8022J		PLUG-DASH T
48	10090400		SUB= 10040400
49	73220400		SUB= 50675
50	74760612		SUB= 74780612
51	19131312		WASHER
52	73680600		SUB= 73690600
53	74760616		BOLT
54	19131316		WASHER
55	17211010		SCREW LT
56	104755X		"" J"" FASTENER LT"
57	17490612		SCREW
59	17490512		SCREW
60	7605J		BOLT T
62	73680400		SUB= 73690400
63	74760620		SUB= 74780620
64	73510600		NUT
65	17490608		SCREW LT
66	105516X		SUB= 155925

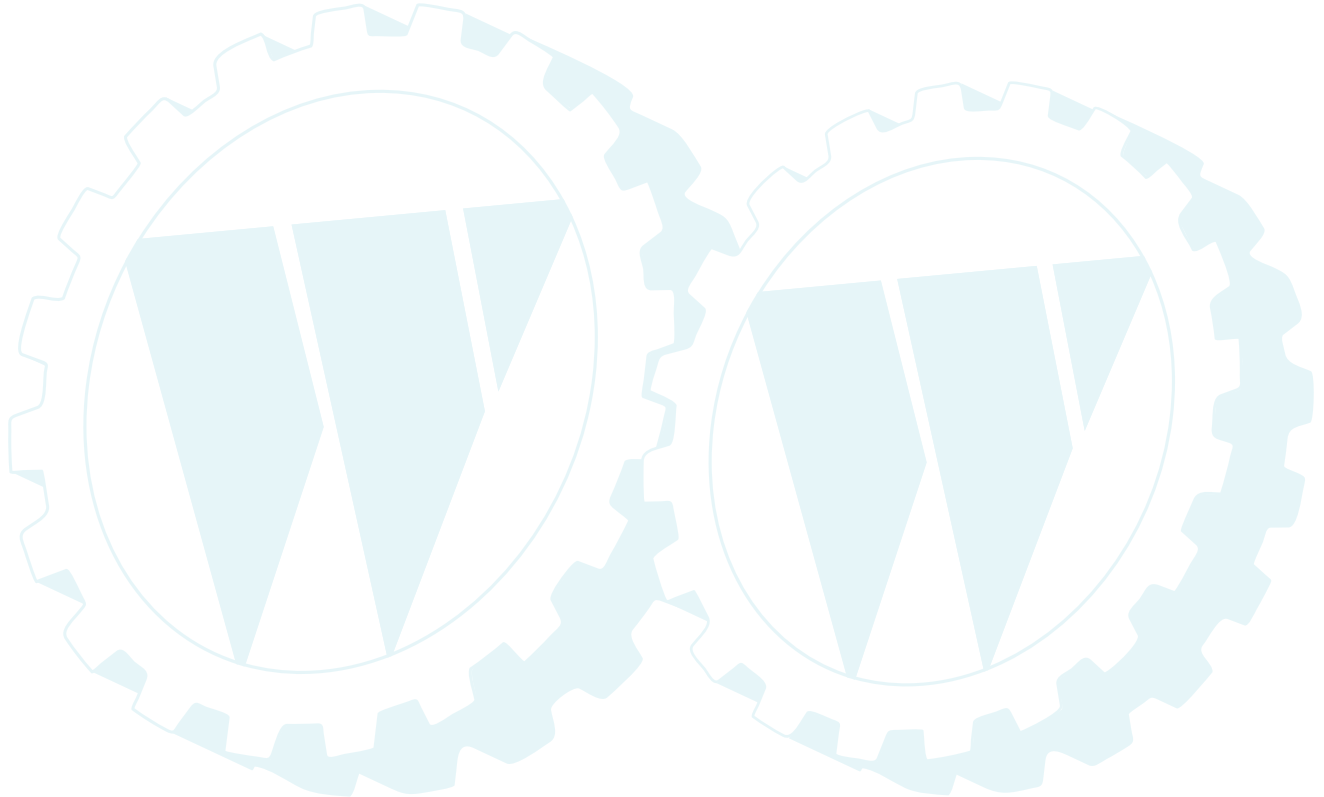
Ref #	Part Number	Qty	Description
67	17490612		SCREW
69	74780816		BOLT
70	10110800		SUB= 10040800
71	19171912		WASHER
72	17431008		SUB= 98000165
73	74780512		BOLT
74	73510500		NUT
75	105509X		SUB= 137113
76	74350512		BOLT LT
77	5479J		PLUG BUTTON T
78	17490412		SCREW HEX CRT
79	106974X		SUB= 133796
80	106300X		SUB= 121441X
81	105505X		SUB= 121794X
82	105514X		"CLAMP, SPRING LT"
85	108256X		PAD FOOTREST T
89	100225L		SUB= 109808X
93	105511X		SUB= 140675
94	105513X		SUB= 140551
95	105529X		SUB= 139888
96	105531X		NUT-PUSH YT
98	105813X		SUB= 146046
99	2751R		CLIP T





*STANDARD HARDWARE--PURCHASE LOCALLY

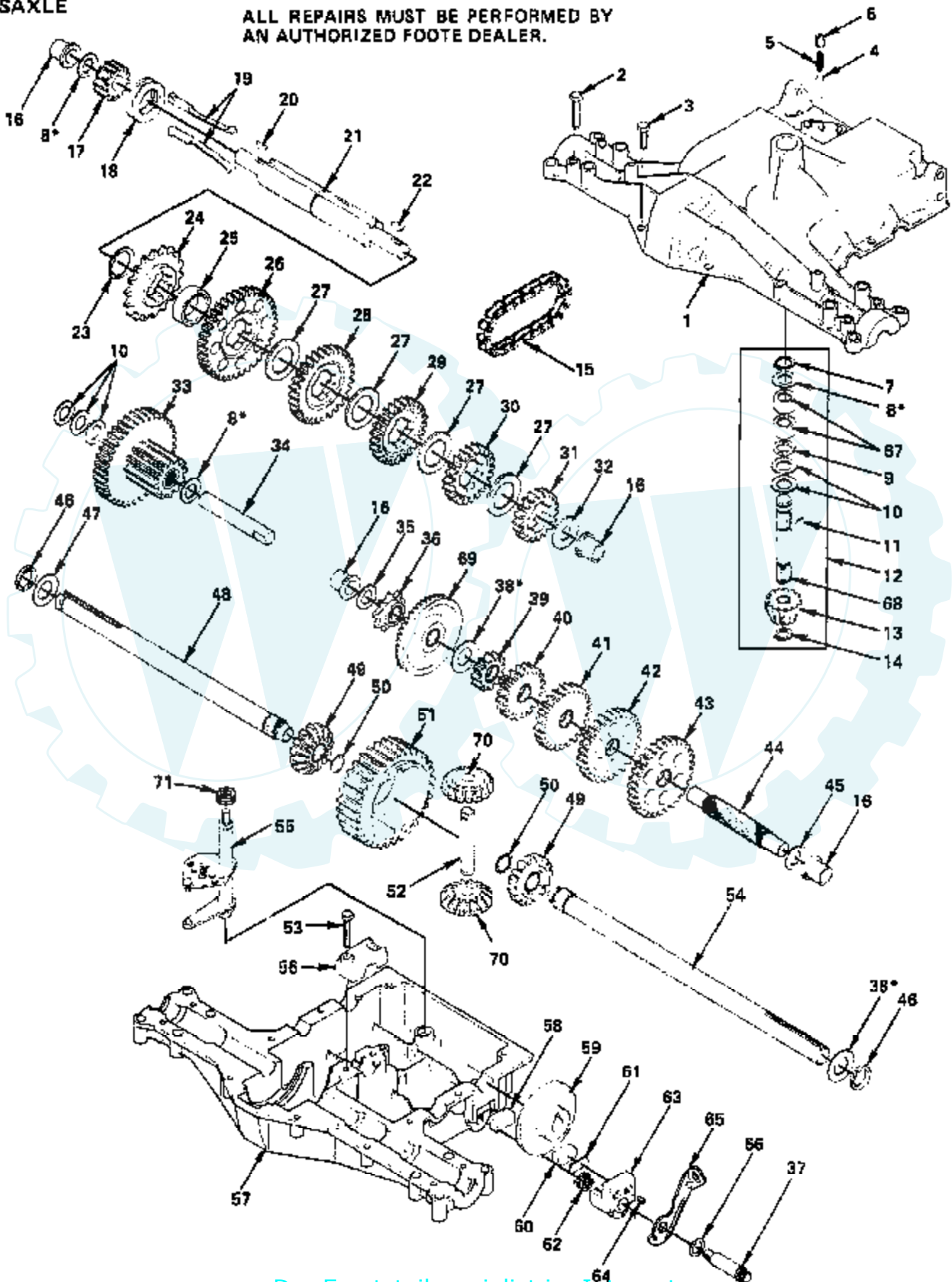
Ref #	Part Number	Qty	Description
37	19091216		WASHER PM
49	73220400		SUB= 50675
51	19131312		WASHER
52	73680600		SUB= 73690600
53	74760616		BOLT
83	19132012		WASHER
84	72140606		BOLT
86	74191008		SCREW
87	10071000		LOCKWASHER
88	2029J		WELDNUT
90	74981020		SCREW
91	7206J		SPACER LT
92	73731000		NUT
97	19070818		WASHER



**ROPER LAWN TRACTOR--MODEL NUMBER LT110DR
TRANSAXLE--MODEL NUMBER 4150-13**

TRANSAXLE

**ALL REPAIRS MUST BE PERFORMED BY
AN AUTHORIZED FOOTE DEALER.**



Ref #	Part Number	Qty	Description
1	3365B		
2	1360		SCREW 1/4-20 X 1.31
3	3396		SCREW 1/4-20 X .875
4	1151		BALL DETENT
5	3626		SPRING, DETENT
6	3623		SCREW, SET
7	1099		RING RETAINING
8	1441		WASHER PLAIN
8	1423		WASHER, PLAIN .632 X 1.00 X .026
8	1082		WASHER PLAIN
8	1424		WASHER PLAIN
8	1068		WASHER PLAIN
8	1425		WASHER PLAIN
8	1358		WASHER PLAIN
8	1145		WASHER, PLAIN .632 X 1.00 X .060
8	1319		WASHER PLAIN
9	3312		O-RING
10	1425		WASHER PLAIN
11	1374		KEY WOODRUFF #9
12	4171		ASSY KIT INPUT SHAFT
13	3725		PINION BEVEL 14 TEETH
14	3624		RING, RETAINING
15	3625		CHAIN, 24 PITCHES
16	1542		BEARING, FLANGE
17	3709		GEAR, SPUR 14T
18	3631		COLLAR CLUTCH
19	3676		KEY, CLUTCH
20	1369		KEY WOODRUFF #3
21	3663		SHAFT, INTERMEDIATE
22	1375		KEY, WOODRUFF, #61
23	3627		RING, RETAINING
24	3640		SPROCKET, 18T
25	3710		
26	3649		GEAR, SPUR, 37T
27	3622		
28	3644		GEAR, SPUR, 30T
29	3643		GEAR, SPUR, 25T
30	3642		GEAR SPUR, 22T
31	3741		GEAR SPUR
32	3628		WASHER, PLAIN .640 X 1.37 X .061
33	4143		ASSY, GEAR
34	3658		SHAFT, IDLER
35	1959		WASHER PLAIN
36	3645		SPROCKET, 9 TEETH
37	1477		BOLT, SHOULDER
38	3652		WASHER PLAIN
38	3693		WASHER PLAIN
38	3653		WASHER PLAIN
38	3408		WASHER PLAIN
38	3732		WASHER PLAIN
38	3184		WASHER, PLAIN .758 X 1.25 X .031
38	3733		WASHER PLAIN
38	3198		WASHER PLAIN
38	3734		WASHER PLAIN
38	3735		WASHER PLAIN
38	3736		WASHER PLAIN
38	3180		WASHER PLAIN
39	3646		GEAR, SPUR, 12 TEETH

Ref #	Part Number	Qty	Description
40	3637		GEAR, SPUR 20T
41	3719		GEAR, SPUR, 25 TEETH
42	3648		GEAR, SPUR 28T
43	3683		GEAR, SPUR, 31 TEETH
44	3657		SHAFT, DRIVE
45	1145		WASHER, PLAIN .632 X 1.00 X .060
46	3191		SEAL FELT
47	3184		WASHER, PLAIN .758 X 1.25 X .031
48	3666		AXLE
49	3727		GEAR, MITER 15T
50	3656		RING, RETAINING
51	3154		GEAR, SPUR, 32T
52	3179		SHAFT, CROSS
53	3724		SCREW TAPPING
54	3667		AXLE
55	4205		ASSY, SHIFTER & SEAL
56	3723		CAP, SUPPORT
57	3654A		HOUSING, LOWER
58	3404		PUCK, FRICTION
59	1902		DISC, BRAKE
60	3242		PUCK, FRICTION
61	3293		SPACER
62	1479		SPRING, COMPRESSION
63	2618		SPRING, COMPRESSION
64	1606		
65	4032		ASSY, LEVER, ACTUATING
66	1546		WASHER, PLAIN
67	1709		BEARING, NEEDLE
68			REFER TO IMAGE
69	3589		GEAR, BEVEL, 42 TEETH
70	3726		GEAR, MITER, 15 TEETH
71	3789		V-RING

