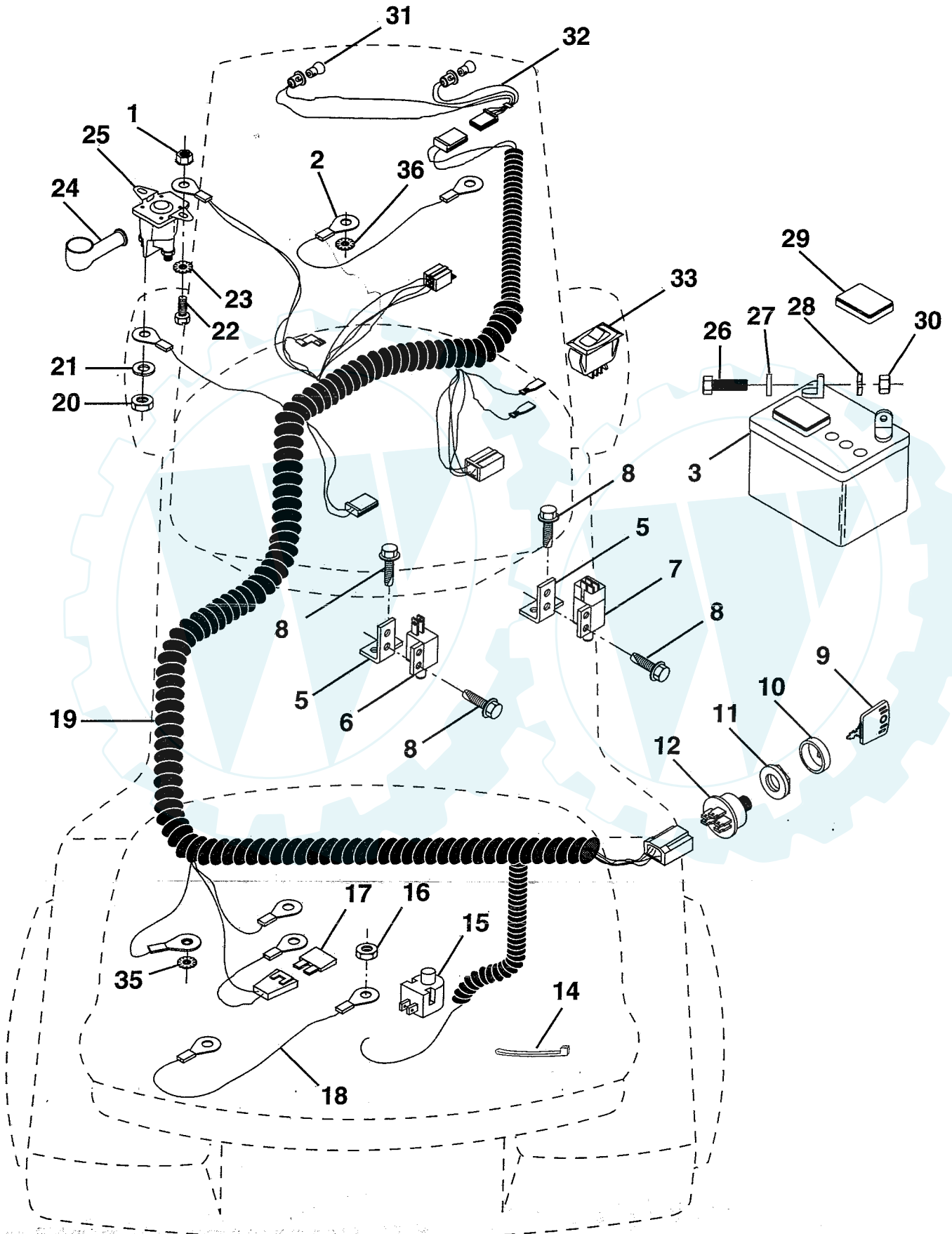


REPAIR PARTS

www.ersatzteil-service.de

12.5 HP 38" TRACTOR-MODEL NO. LR125 (HU125R38MA), PRODUCT NO. 954 00 05-22

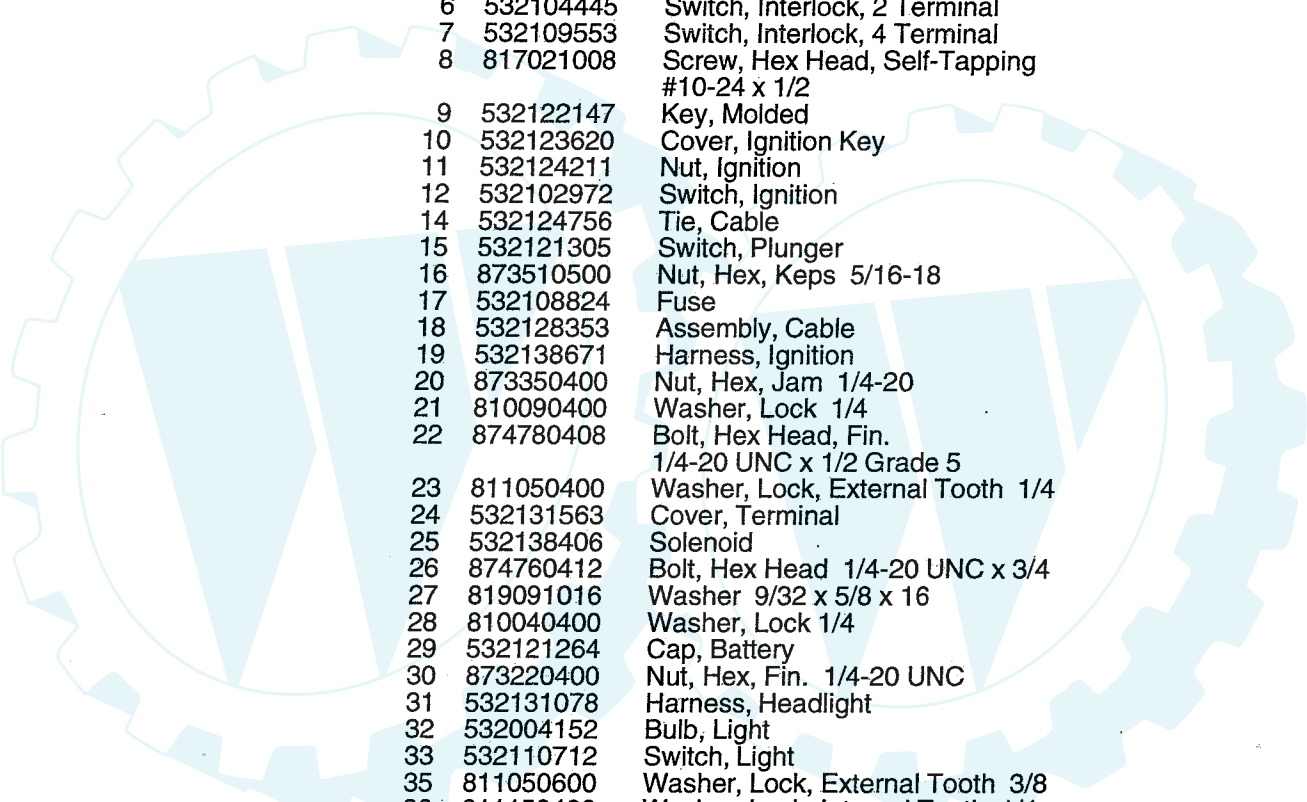
ELECTRICAL



REPAIR PARTS

www.ersatzteil-service.de

12.5 HP 38" TRACTOR-MODEL NO. LR125 (HU125R38MA), PRODUCT NO. 954 00 05-22
ELECTRICAL



KEY NO.	PART NO.	DESCRIPTION
1	873510400	Nut, Hex, Keps 1/4-20
2	532108423	Assembly, Cable
3	532133909	Battery
5	532108236	Bracket, Switch
6	532104445	Switch, Interlock, 2 Terminal
7	532109553	Switch, Interlock, 4 Terminal
8	817021008	Screw, Hex Head, Self-Tapping #10-24 x 1/2
9	532122147	Key, Molded
10	532123620	Cover, Ignition Key
11	532124211	Nut, Ignition
12	532102972	Switch, Ignition
14	532124756	Tie, Cable
15	532121305	Switch, Plunger
16	873510500	Nut, Hex, Keps 5/16-18
17	532108824	Fuse
18	532128353	Assembly, Cable
19	532138671	Harness, Ignition
20	873350400	Nut, Hex, Jam 1/4-20
21	810090400	Washer, Lock 1/4
22	874780408	Bolt, Hex Head, Fin. 1/4-20 UNC x 1/2 Grade 5
23	811050400	Washer, Lock, External Tooth 1/4
24	532131563	Cover, Terminal
25	532138406	Solenoid
26	874760412	Bolt, Hex Head 1/4-20 UNC x 3/4
27	819091016	Washer 9/32 x 5/8 x 16
28	810040400	Washer, Lock 1/4
29	532121264	Cap, Battery
30	873220400	Nut, Hex, Fin. 1/4-20 UNC
31	532131078	Harness, Headlight
32	532004152	Bulb, Light
33	532110712	Switch, Light
35	811050600	Washer, Lock, External Tooth 3/8
36	811150400	Washer, Lock, Internal Tooth 1/4

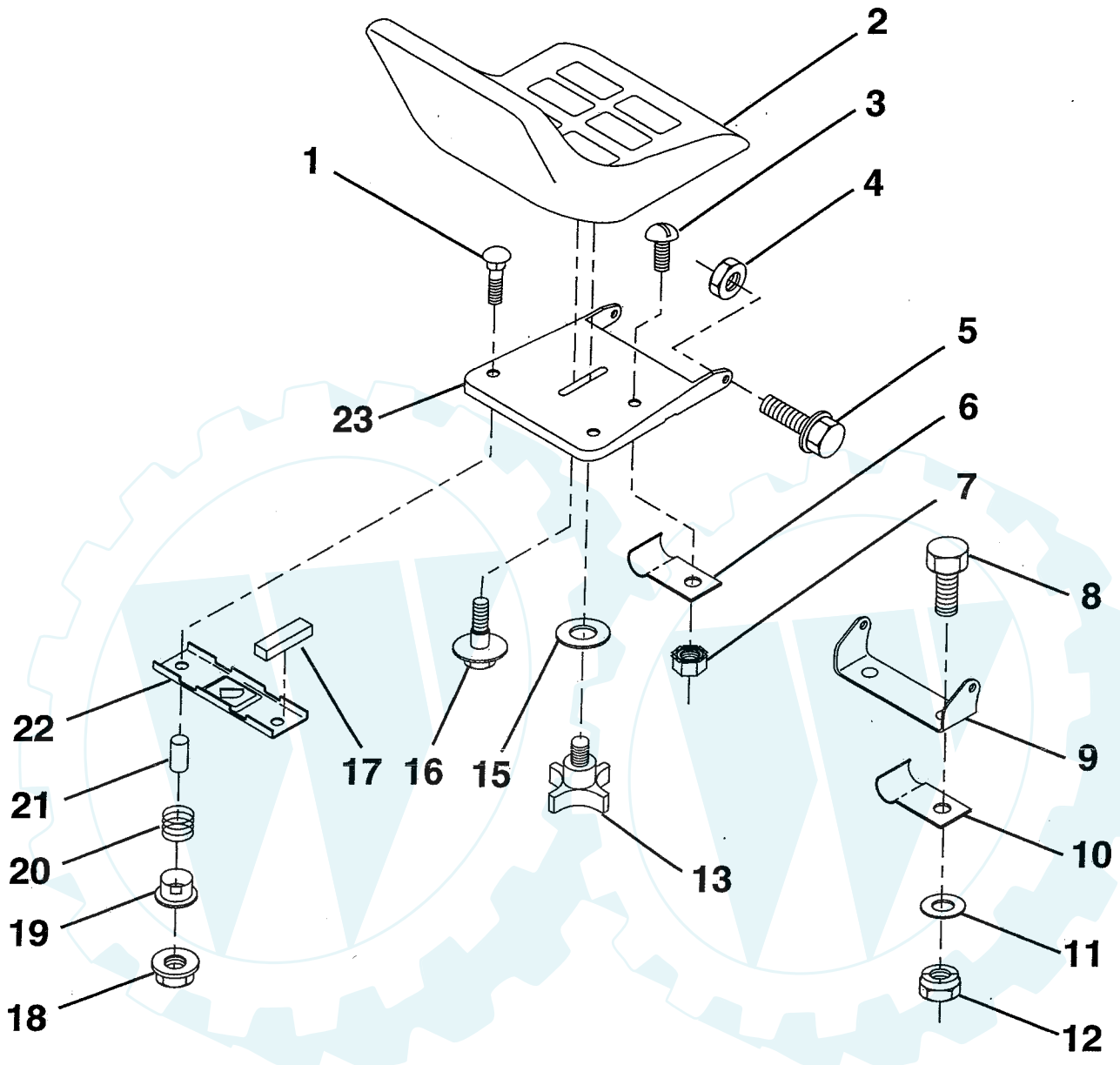
NOTE: All component dimensions given in U.S. inches
1 inch = 25.4 mm

HARDWARE SHOWN LARGER FOR EASIER IDENTIFICATION

REPAIR PARTS

www.ersatzteil-service.de

12.5 HP 38" TRACTOR-MODEL NO. LR125 (HU125R38MA), PRODUCT NO. 954 00 05-22
SEAT



KEY NO.	PART NO.	DESCRIPTION
1	872050411	Bolt, Carriage 1/4-20 x 1-3/8
2	532127398	Seat
3	874641008	Screw, Slotted Pan Head #10-32 x 1/2
4	873680500	Nut, Hex, Crownlock 5/16-18
5	532105529	Bolt, Hex, Shoulder 5/16-18 UNC
6	532124967	Clip, Insulated
7	873951000	Nut, Hex, Keps #10-32 UNF
8	874760612	Bolt, Hex, Fin. 3/8-16 UNC x 3/4
9	532126656	Bracket, Pivot, Seat
10	532126471	Clip, Insulated
11	819133210	Washer 12/32 x 2 x 10 Gauge
12	873680600	Nut, Hex, Crownlock 3/8-16 UNC

KEY NO.	PART NO.	DESCRIPTION
13	532120068	Knob, Seat
15	819171912	Washer 17/32 x 1-3/16 x 12 Gauge
16	532127018	Bolt, Shoulder
17	532121251	Strip, Foam
18	532123976	Nut, Hex, Large, Flange Lock
19	532121248	Bushing, Snap
20	532121250	Spring, Compression
21	532134300	Spacer, Split 28 Id. x .96 Lg.
22	532121246	Bracket, Switch Mounting
23	532131451	Pan, Seat

NOTE: All component dimensions given in U.S. inches
1 inch = 25.4 mm

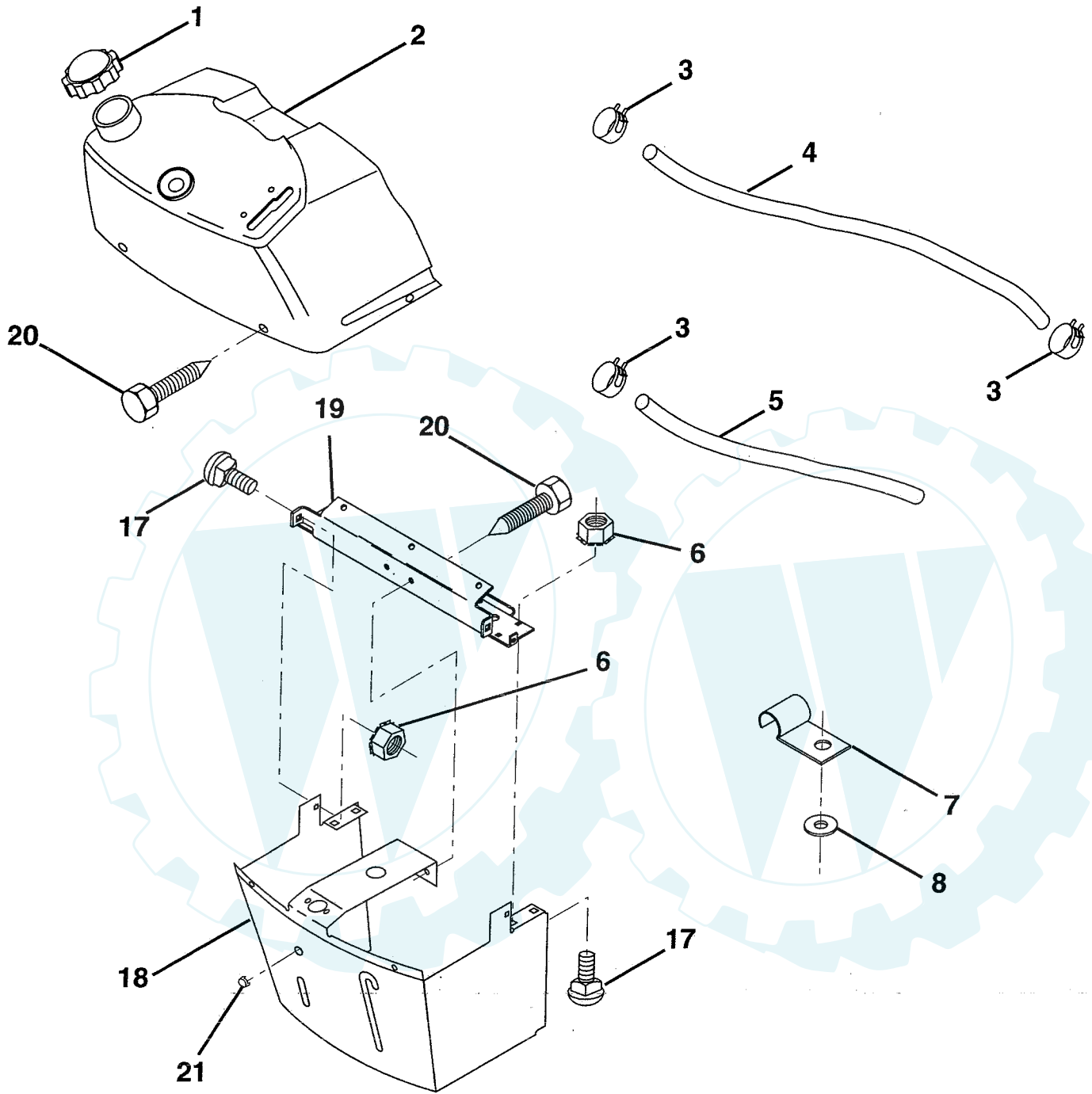
HARDWARE SHOWN LARGER FOR EASIER IDENTIFICATION

Der Ersatzteil-**29**pezialist im Internet.

REPAIR PARTS

12.5 HP 38" TRACTOR-MODEL NO. LR125 (HU125R38MA), PRODUCT NO. 954 00 05-22

DASH



KEY NO.	PART NO.	DESCRIPTION
1	532132735	Cap, Fuel
2	532138395	Dashboard & Fuel Tank Assembly
3	532123487	Clamp, Hose
4	532008544	Line, Fuel
5	532008548	Line, Fuel
6	873510400	Nut, Hex, Keps 1/4-20
7	532124996	Clip, Fuel Line
8	819091216	Washer 9/32 x 3/4 x 16 Gauge

KEY NO.	PART NO.	DESCRIPTION
17	872110404	Bolt; Carriage 1/4-20 x 1/2 Grade 5
18	532131886	Support Assembly, Dash
19	532134744	Brace, Cross
20	817060408	Screw, Self-Tapping 1/4-20 x 1/2
21	532134014	Plug, Dome, Black

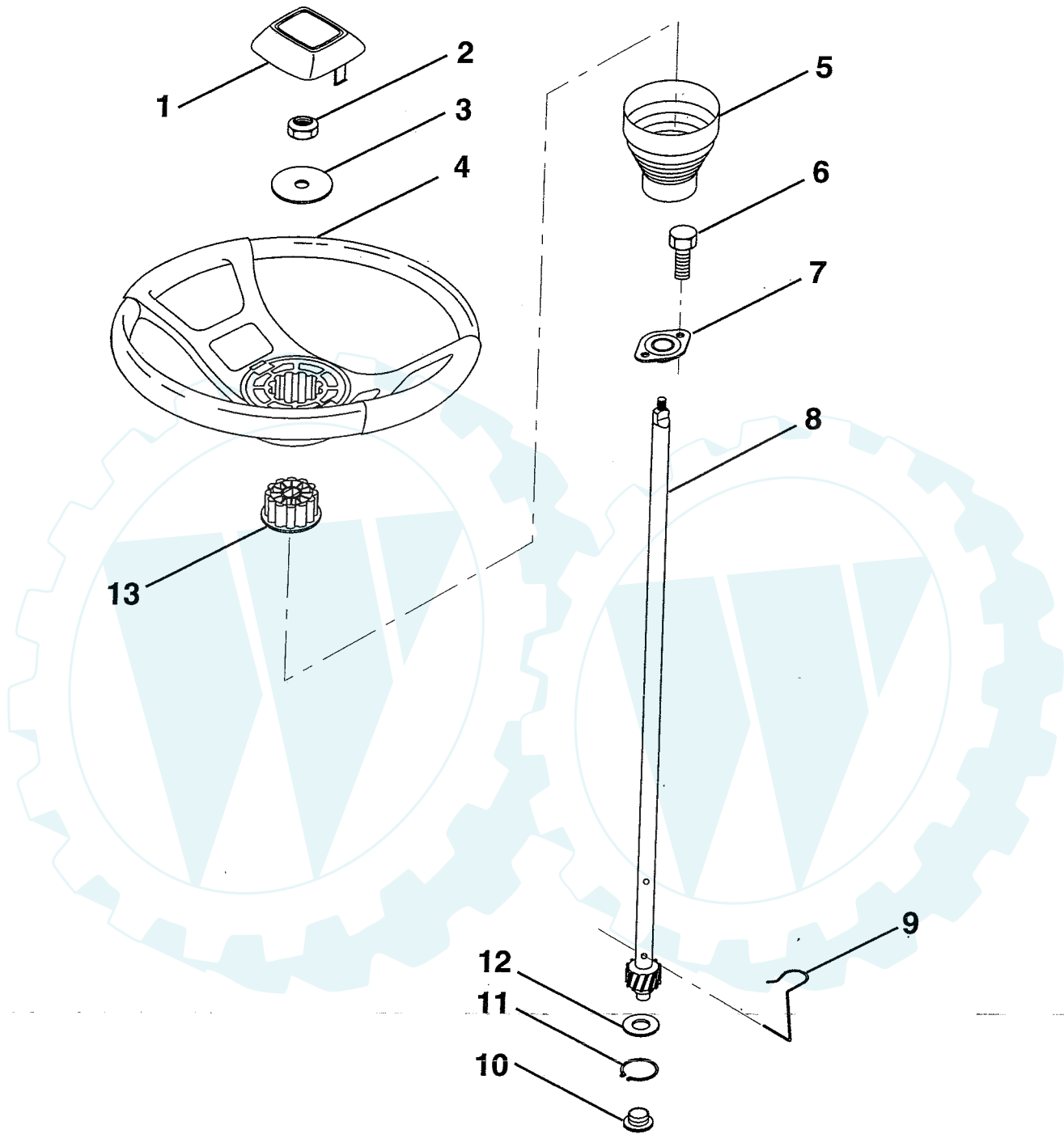
NOTE: All component dimensions given in U.S. inches
1 inch = 25.4 mm

HARDWARE SHOWN LARGER FOR EASIER IDENTIFICATION

Der Ersatzteilspezialist im Internet.

REPAIR PARTS

12.5 HP 38" TRACTOR-MODEL NO. LR125 (HU125R38MA), PRODUCT NO. 954 00 05-22
STEERING WHEEL



KEY NO.	PART NO.	DESCRIPTION
1	532124416	Insert, Steering Wheel
2	532124701	Locknut 3/8-24 UNF
3	819133808	Washer 12/32 x 2-3/8 x 8 Gauge
4	532124415	Steering Wheel
5	532127396	Sleeve, Steering
6	817431008	Screw, Hex Head #10-16 x 1/2
7	532102803	Bushing, Steering
8	532123651	Shaft, Steering

KEY NO.	PART NO.	DESCRIPTION
9	532124210	Clip, Steering
10	532123438	Bushing, Lower, Steering
11	812000045	Ring, Retaining
12	819211616	Washer 21/32 x 1 x 16 Gauge
13	532104820	Adaptor, Steering Wheel

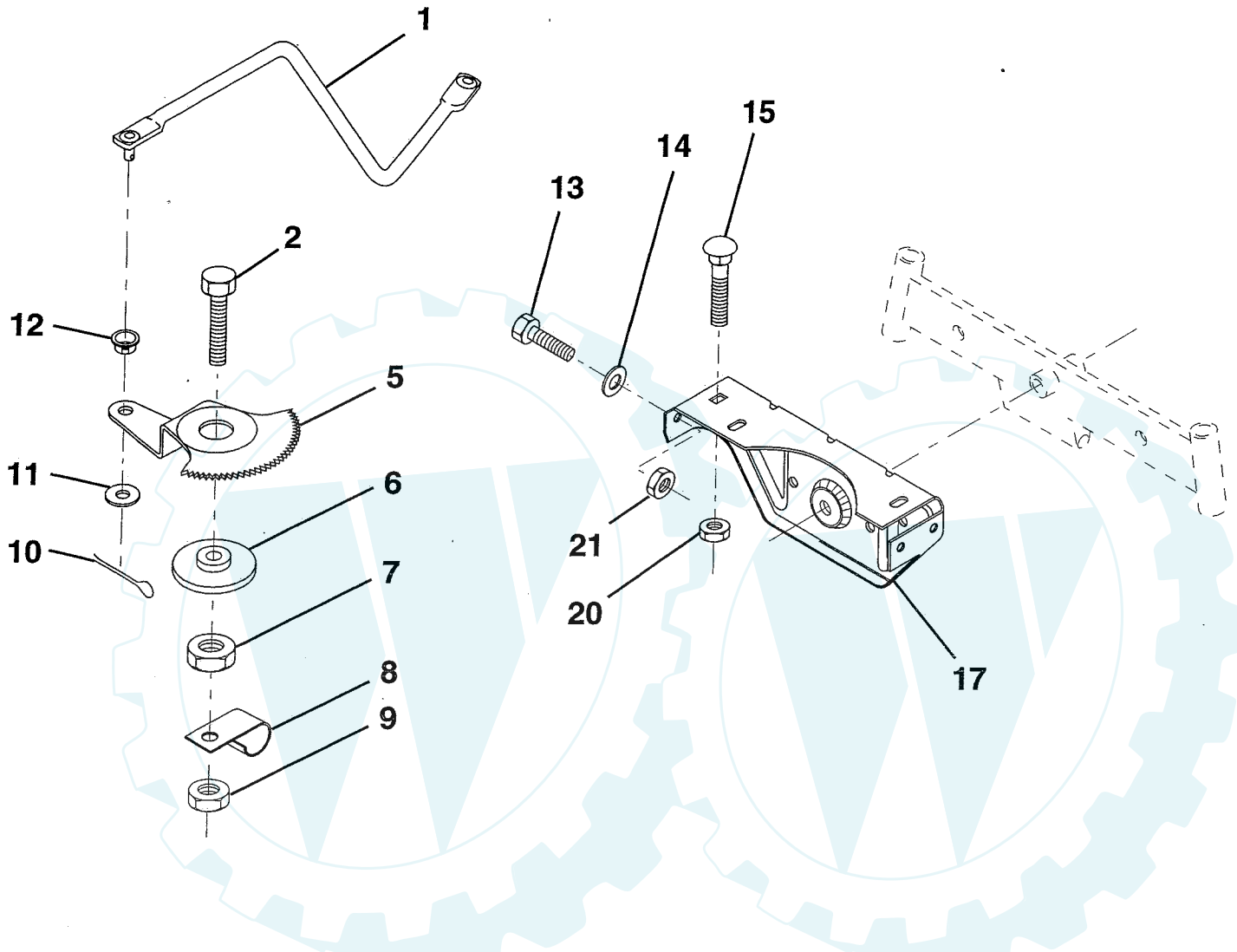
NOTE: All component dimensions given in U.S. inches
1 inch = 25.4 mm

HARDWARE SHOWN LARGER FOR EASIER IDENTIFICATION

Der Ersatzteilspezialist im Internet.

REPAIR PARTS

12.5 HP 38" TRACTOR-MODEL NO. LR125 (HU125R38MA), PRODUCT NO. 954 00 05-22
SECTOR GEAR / AXLE SUPPORT



KEY NO.	PART NO.	DESCRIPTION
1	532132566	Link, Drag
2	874780828	Bolt, Hex Head, Fin. 1/2-13 x 1-3/4
5	532121926	Gear, Sector
6	532121927	Bushing
7	873030800	Nut, Heavy Hex, Top Lock 1/2-13 UNC
8	532126472	Clip, Insulated
9	873680800	Nut, Hex, Crownlock 3/8-16
10	876020412	Pin, Cotter 1/8 x 3/4
11	819131316	Washer 13/32 x 13/16 x 16 Gauge

KEY NO.	PART NO.	DESCRIPTION
12	532126847	Bushing
13	874760512	Bolt, Hex Head 5/16-18 UNC x 3/4
14	819111416	Washer 11/32 x 7/8 x 16 Gauge
15	872110606	Bolt, Carriage 3/8-16 UNC x 3/4
17	532137096	Support, Front Axle
20	873680600	Nut, Hex, Crownlock 3/8-16 UNC
21	873680500	Nut, Hex, Crownlock 5/16-18

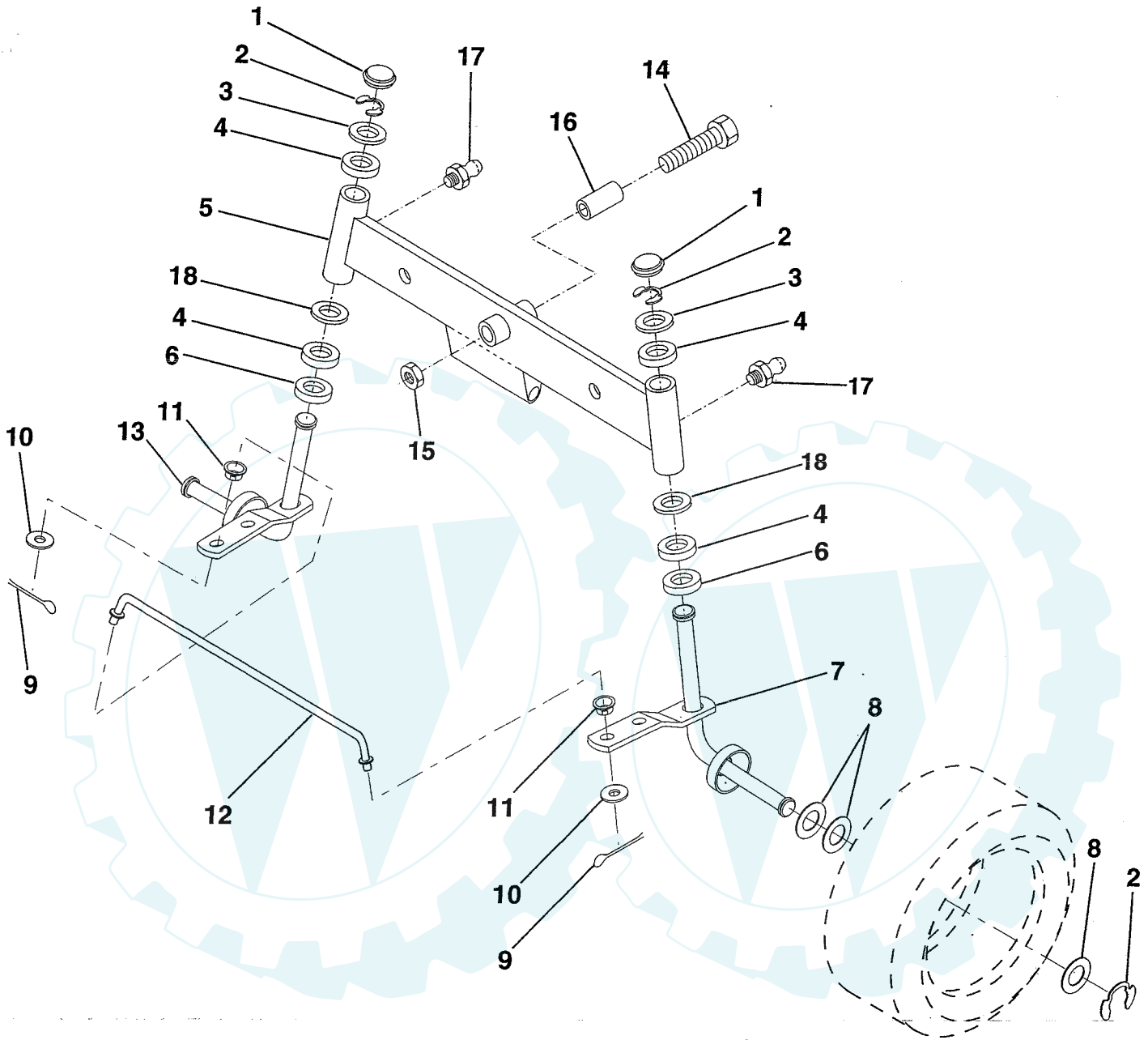
NOTE: All component dimensions given in U.S. inches
1 inch = 25.4 mm

HARDWARE SHOWN LARGER FOR EASIER IDENTIFICATION

REPAIR PARTS

www.ersatzteil-service.de

12.5 HP 38" TRACTOR-MODEL NO. LR125 (HU125R38MA), PRODUCT NO. 954 00 05-22
FRONT AXLE



KEY NO.	PART NO.	DESCRIPTION
1	532121232	Cap, Spindle
2	812000029	Ring, Clip
3	532121748	Washer 25/32 x 1-5/8 x 16 Gauge
4	532124937	Bearing
5	532133988	Axle, Front
6	532124931	Bearing, Thrust
7	532137062	Spindle Assembly, R.H.
8	532121749	Washer 25/32 x 1-1/4 x 16 Gauge
9	876020412	Pin, Cotter 1/8 x 3/4
10	819131316	Washer 13/32 x 13/16 x 16 Gauge

KEY NO.	PART NO.	DESCRIPTION
11	532126847	Bushing
12	532130465	Rod, Tie
13	532137061	Spindle Assembly, L.H.
14	874011056	Bolt, Hex Head 5/8-11 x 3-1/2
15	873901000	Locknut, Flange 5/8-11
16	532110438	Spacer, Bearing, Front Axle
17	532124836	Grease Fitting
18	819272016	Washer 27/32 x 1-1/4 x 16 Gauge

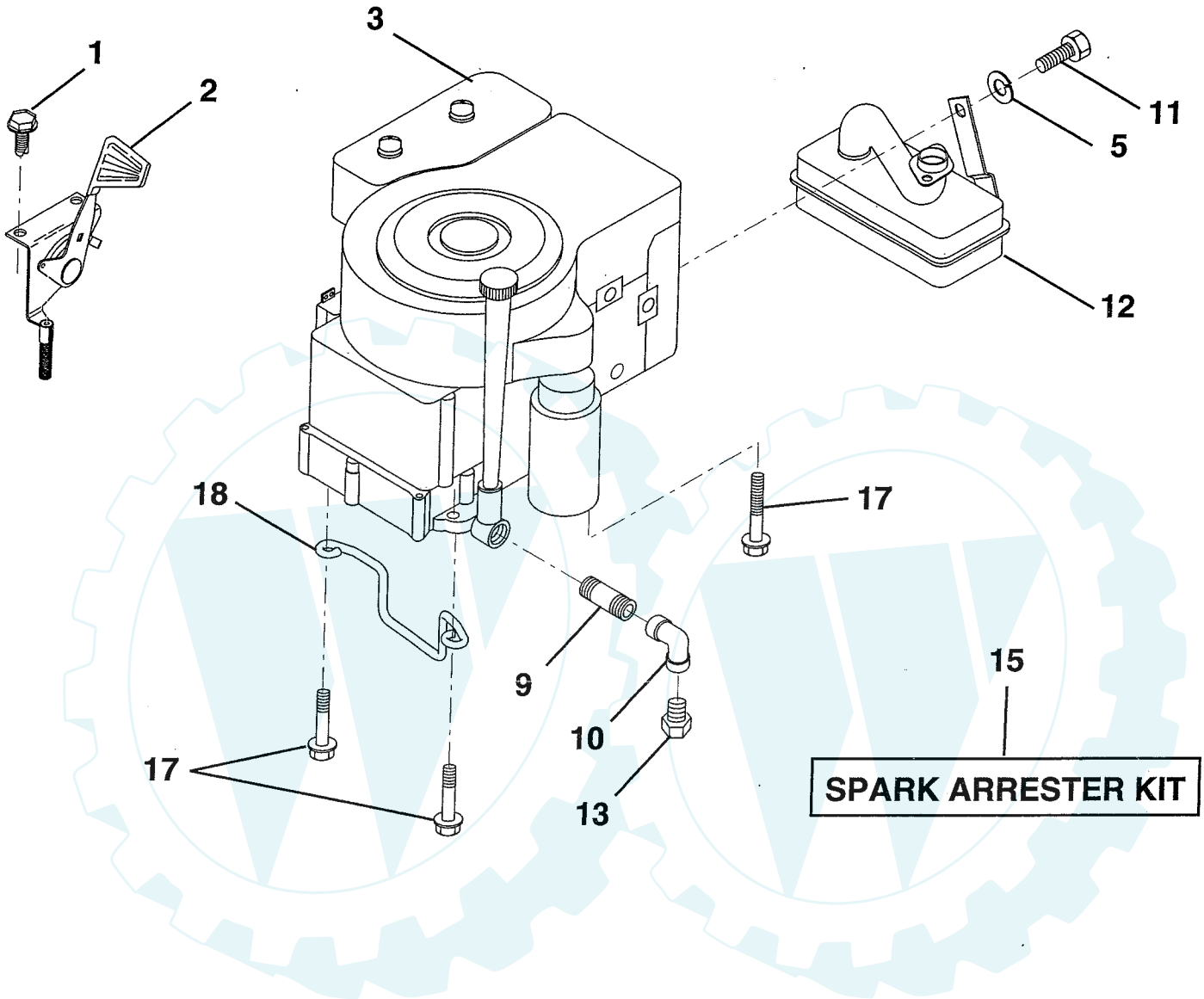
NOTE: All component dimensions given in U.S. inches
1 inch = 25.4 mm

HARDWARE SHOWN LARGER FOR EASIER IDENTIFICATION

Der Ersatzteil-Spezialist im Internet.

REPAIR PARTS

12.5 HP 38" TRACTOR-MODEL NO. LR125 (HU125R38MA), PRODUCT NO. 954 00 05-22
ENGINE



KEY NO.	PART NO.	DESCRIPTION
1	817060408	Screw, Hex Head, Thread Cutting 1/4-20 x 1/2
2	532132753	Control, Throttle
3	---	Engine, Kohler, Model No. CV12.5S
5	810040500	Washer, Lock, Heavy Helical Spring 5/16
9	813280328	Nipple, Pipe 3/8 N.P.T. x 3-1/2
10	813200300	Elbow, Standard 90°
11	874760508	Bolt, Hex Head, Fin. 5/16-18 x 1/2

KEY NO.	PART NO.	DESCRIPTION
12	532138149	Muffler
13	---	Plug, Oil Drain (Order From Engine Manufacturer)
15	532137180	Arrester, Spark (Optional Equipment)
17	532125398	Bolt, Hex Head
18	532126636	Keeper, Ground Drive Belt

NOTE: All component dimensions given in U.S. inches
1 inch = 25.4 mm

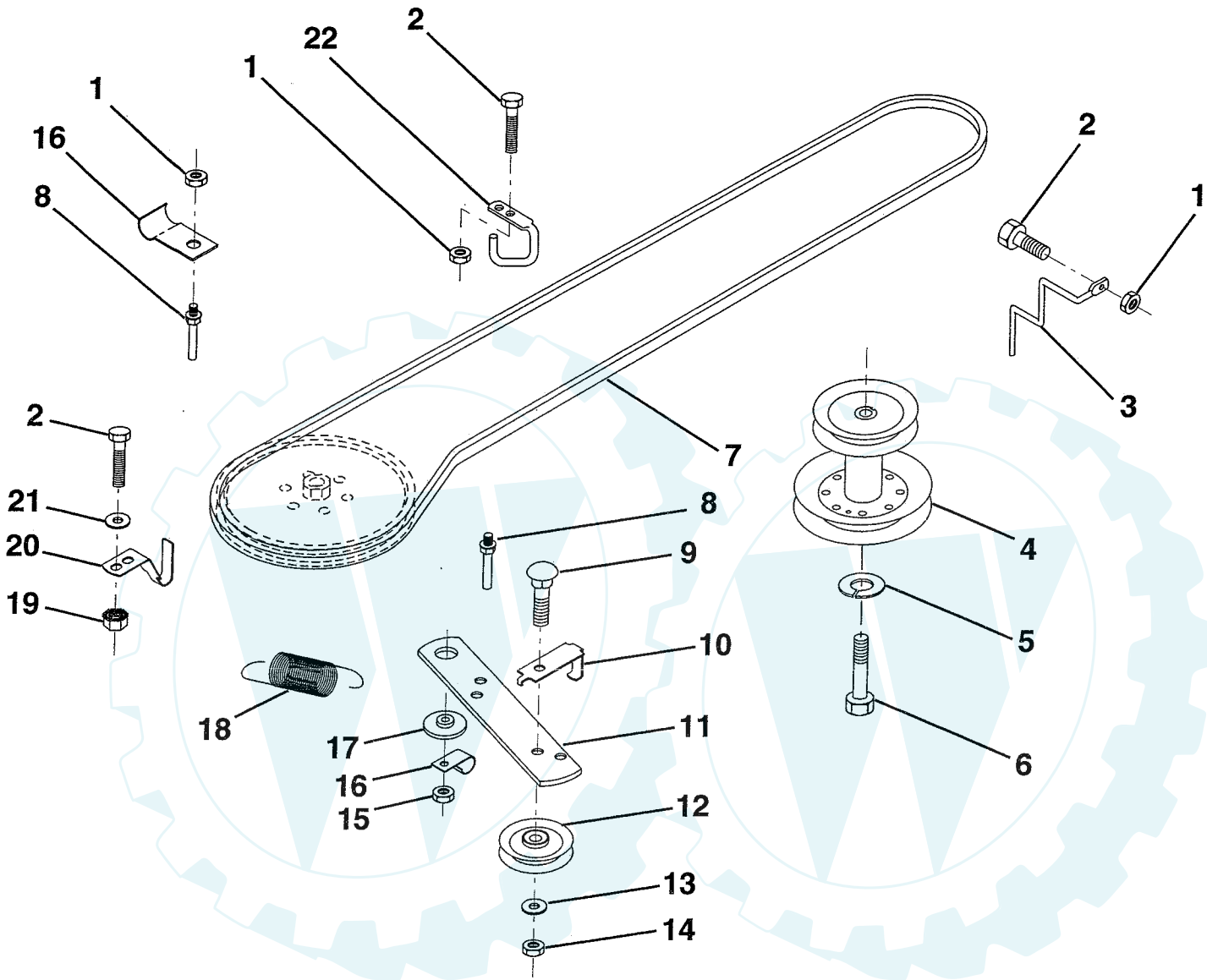
HARDWARE SHOWN LARGER FOR EASIER IDENTIFICATION

Der Ersatzteilspezialist im Internet.

REPAIR PARTS

12.5 HP 38" TRACTOR-MODEL NO. LR125 (HU125R38MA), PRODUCT NO. 954 00 05-22

GROUND DRIVE



KEY NO.	PART NO.	DESCRIPTION
1	873680500	Nut, Hex, Crownlock 5/16-18
2	874760512	Bolt, Hex Head 5/16-18 UNC x 3/4
3	532132946	Keeper, Mower Drive Belt, R.H.
4	532135036	Pulley, Engine
5	810040700	Washer, Lock 7/16
6	532138887	Bolt, Hex Head M10 x 1.5 x .75mm
7	532126520	V-Belt, Ground Drive
8	532123405	Keeper, Ground Drive Belt
9	872140612	Bolt, Carriage 3/8-16 UNC x 1-1/2
10	532123396	Keeper, Ground Drive Belt, Idler
11	532123395	Clutch Arm, Ground Drive
12	532004859	Idler, Flat

KEY NO.	PART NO.	DESCRIPTION
13	819131316	Washer 13/32 x 13/16 x 16 Gauge
14	873930600	Nut, Centerlock 3/8-16 UNC
15	873680600	Nut, Crownlock 3/8-16 UNC
16	532126471	Clip, Insulated
17	532122052	Spacer, Retainer
18	532131459	Spring Extension
19	873510500	Nut, Keps 5/16-18 UNC
20	532123891	Keeper, T/A Ground Drive Belt
21	819111016	Washer 11/32 x 5/8 x 16 Ga.
22	532123404	Keeper, Frame Ground Drive Belt

NOTE: All component dimensions given in U.S. inches
1 inch = 25.4 mm

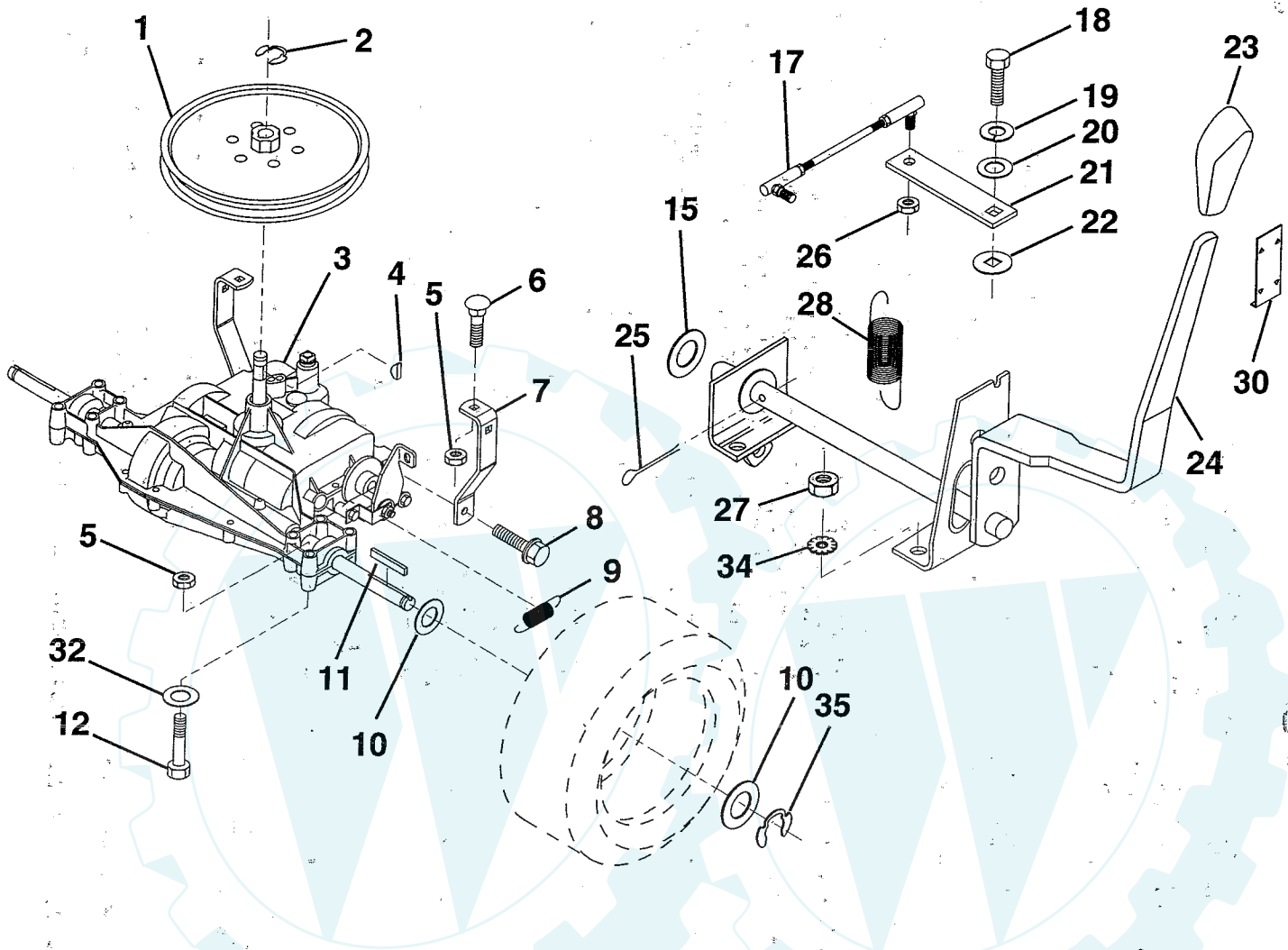
HARDWARE SHOWN LARGER FOR EASIER IDENTIFICATION

Der Ersatzteilspezialist im Internet.

REPAIR PARTS

12.5 HP 38" TRACTOR-MODEL NO. LR125 (HU125R38MA), PRODUCT NO. 954 00 05-22

TRANSAXLE



KEY NO.	PART NO.	DESCRIPTION
1	532123385	Pulley
2	812000028	Ring, Retainer
3	---	Transaxle, Peerless, 6 Speed, Model Number 930-028
4	532125096	Key, Woodruff #9
5	873680500	Nut, Hex, Crownlock 5/16-18
6	872140506	Bolt, Carriage 5/16-18 UNC x 3/4
7	532123378	Strap, Torque
8	817490512	Screw 5/16-18 x 3/4
9	532110422	Spring, Brake
10	532121749	Washer 25/32 x 1-1/4 x 16 Gauge
11	532123583	Key, Square
12	874760540	Bolt, Hex, Fin. 5/16-18 x 2-1/2
15	819171616	Washer 17/32 x 1 x 16 Gauge
17	532126293	Link, Shift
18	871040412	Bolt, Hex, Fin. 1/4-28 UNF x 3/4 Grade 8

KEY NO.	PART NO.	DESCRIPTION
19	810040400	Washer, Lock 1/4
20	819091210	Washer 9/32 x 3/4 x 10 Gauge
21	532126292	Arm, Shift
22	532105701	Washer, Shift Plate
23	532122011	Knob, Golfclub
24	532128202	Shift Handle Assembly
25	876020416	Pin, Cotter 1/8 x 1
26	873810500	Locknut 5/16-24 UNF
27	873510500	Nut, Hex, Keps 5/16-18
28	532128085	Extension, Spring
30	532123692	Retainer Knob
32	819111116	Washer 11/32 x 11/16 x 16 Gauge
34	811050500	Washer, External Tooth 5/16
35	812000001	E-Ring

NOTE: All component dimensions given in U.S. inches
1 inch = 25.4 mm

HARDWARE SHOWN LARGER FOR EASIER IDENTIFICATION

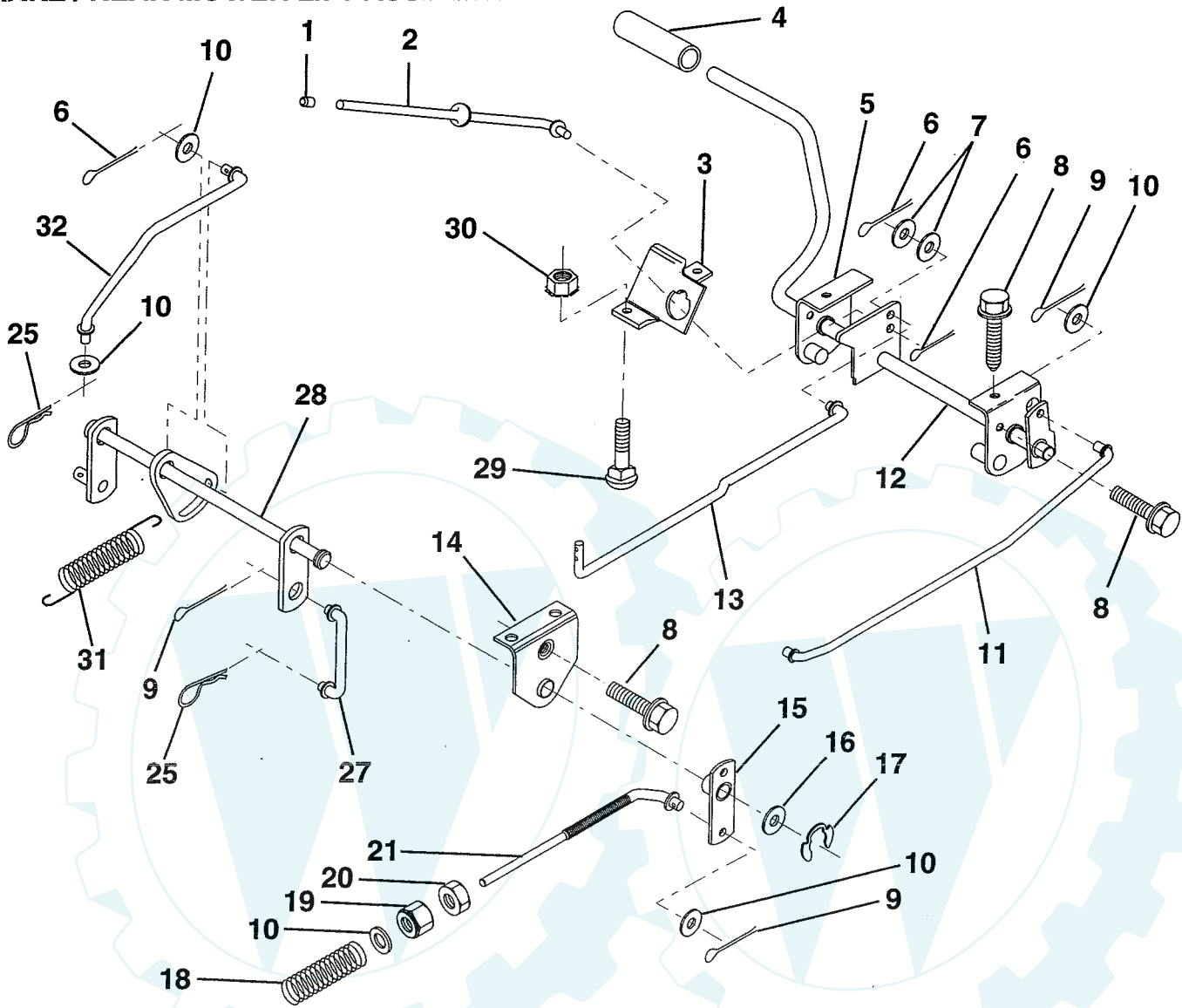
Der Ersatzteilspezialist im Internet.

REPAIR PARTS

www.ersatzteil-service.de

12.5 HP 38" TRACTOR-MODEL NO. LR125 (HU125R38MA), PRODUCT NO. 954 00 05-22

BRAKE / REAR MOWER LIFT ASSEMBLY



KEY NO.	PART NO.	DESCRIPTION
1	532071673	Cap, Plunger
2	532123436	Rod, Parking Brake
3	532123437	Bracket, Parking Brake
4	532008156	Cover, Pedal
5	532132205	Bracket, Clutch/Brake Pedal, L.H.
6	876020312	Pin, Cotter 3/32 x 3/4
7	819131016	Washer 13/32 x 5/8 x 16 Gauge
8	817490508	Screw, Hex Head, Thd., Roll. 5/16-18 x 1/2
9	876020412	Pin, Cotter 1/8 x 3/4
10	819131316	Washer 13/32 x 13/16 x 16 Gauge
11	532123543	Rod, Brake, Front
12	532136263	Assembly, Clutch/Brake Pedal
13	532123394	Rod, Clutch
14	532121978	Bracket, Lift Shaft
15	532123641	Assembly, Brake, Pivot, Arm
16	819251816	Washer 25/32 x 1-1/8 x 16 Gauge
17	812000034	Ring, Klip

KEY NO.	PART NO.	DESCRIPTION
18	532106888	Spring, Brake Rod
19	873350600	Nut, Hex, Jam 3/8-16 UNC
20	873800600	Locknut, Hex, with Washer Insert 3/8-16 UNC
21	532131460	Rod, Brake, Rear
22	532127378	Trunnion, Lift
23	873680600	Nut, Crownlock 3/8-16 UNC
24	819132012	Washer 13/32 x 1-1/4 x 12 Gauge
25	532124961	Spring, Retainer
26	873930600	Nut, Centerlock 3/8-16 UNC
27	532136780	Link, Lift, Rear
28	532136779	Assembly, Rear Mower Lift
29	872110506	Bolt, Carriage 5/16-18 UNC x 3/4
30	873510500	Nut, Hex, Keps 5/16-16 UNC
31	532133095	Spring, Counterbalance
32	532133721	Link, Lift Lever

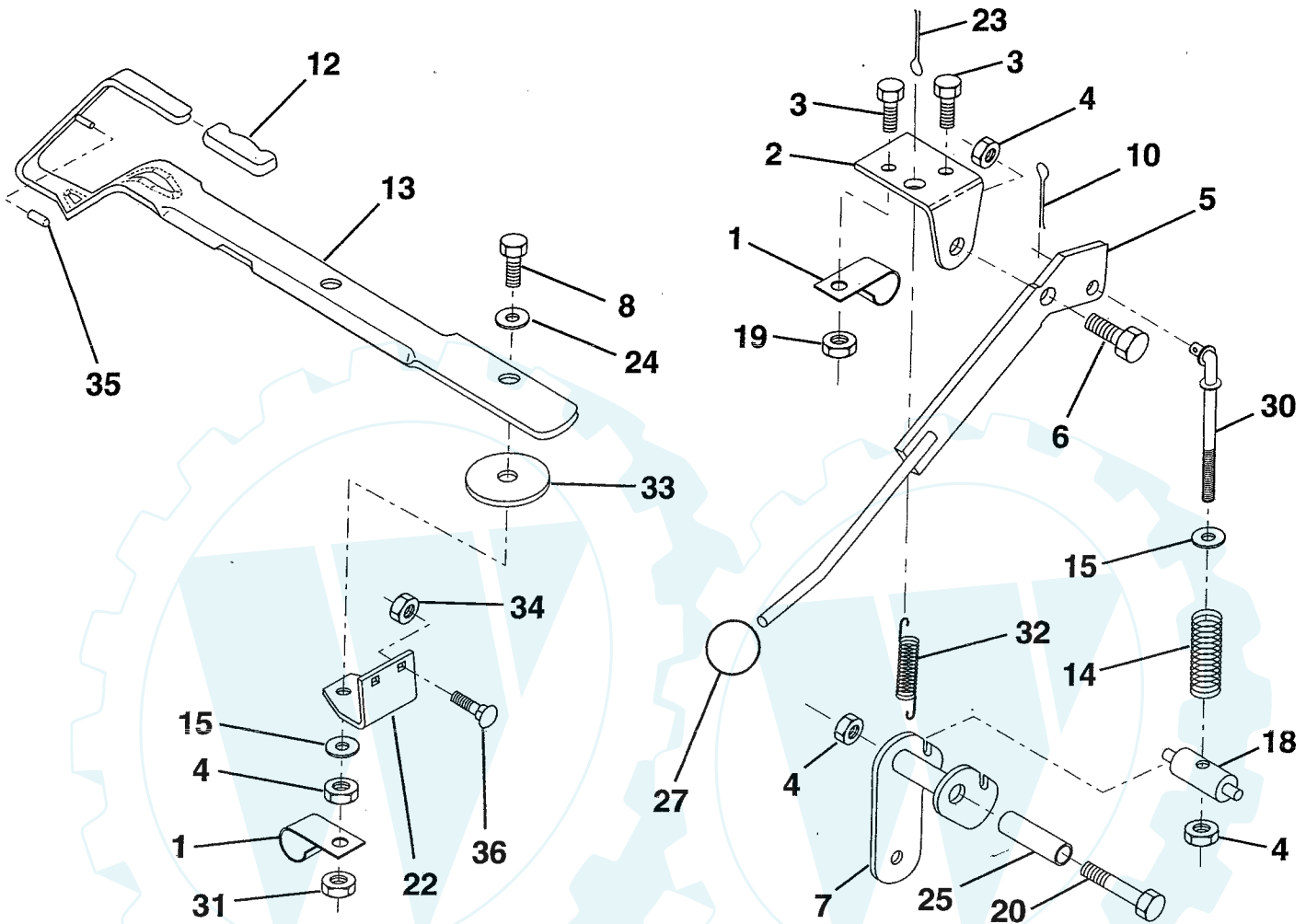
NOTE: All component dimensions given in U.S. inches
1 inch = 25.4 mm

HARDWARE SHOWN LARGER FOR EASIER IDENTIFICATION

Der Ersatzteilspezialist im Internet.

REPAIR PARTS

12.5 HP 38" TRACTOR-MODEL NO. LR125 (HU125R38MA), PRODUCT NO. 954 00 05-22
MOWER LIFT LEVER



KEY NO.	PART NO.	DESCRIPTION
1	532126470	Clip, Insulated
2	532122018	Bracket, Mower Clutch
3	874780408	Bolt, Hex Head, Fin. 1/4-20 UNC x 1/2 Grade 5
4	873680600	Nut, Crownlock 3/8-16 UNC
5	532132552	Assembly, Clutch Lever
6	532106451	Bolt, Shoulder
7	532135110	Assembly, Mower Clutch Arm
8	874930624	Bolt, Hex Head 3/8-16 UNC x 1-1/2
10	876020412	Pin, Cotter 1/8 x 3/4
12	532122027	Handle, Lift Lever
13	532136658	Assembly, Lift Handle
14	532133939	Spring, Compression
15	819131616	Washer 13/32 x 1 x 11 Gauge
18	532135107	Trunnion, Threaded 3/8-16
19	873680400	Nut, Crownlock 1/4-20

KEY NO.	PART NO.	DESCRIPTION
20	874760644	Bolt, Hex Head, Fin. 3/8-16 UNC x 2-3/4
22	532132561	Bracket, Lift Lever
23	876020312	Pin, Cotter 3/32 x 3/4
24	532007672	Washer 25/64 x 1-1/4 x 12 Gauge
25	532121933	Tube, Spacer
27	532121466	Knob
30	532135039	Rod, Tension, Clutch
31	873930600	Nut, Centerlock
32	532133435	Spring, Extension, Return
33	532062333	Washer .390 x 1.437 x .074
34	873680500	Nut, Crownlock 5/16-18
35	532133603	Cap, Vinyl, Red
36	872140506	Bolt, Carriage 5/16-18 x 3/4

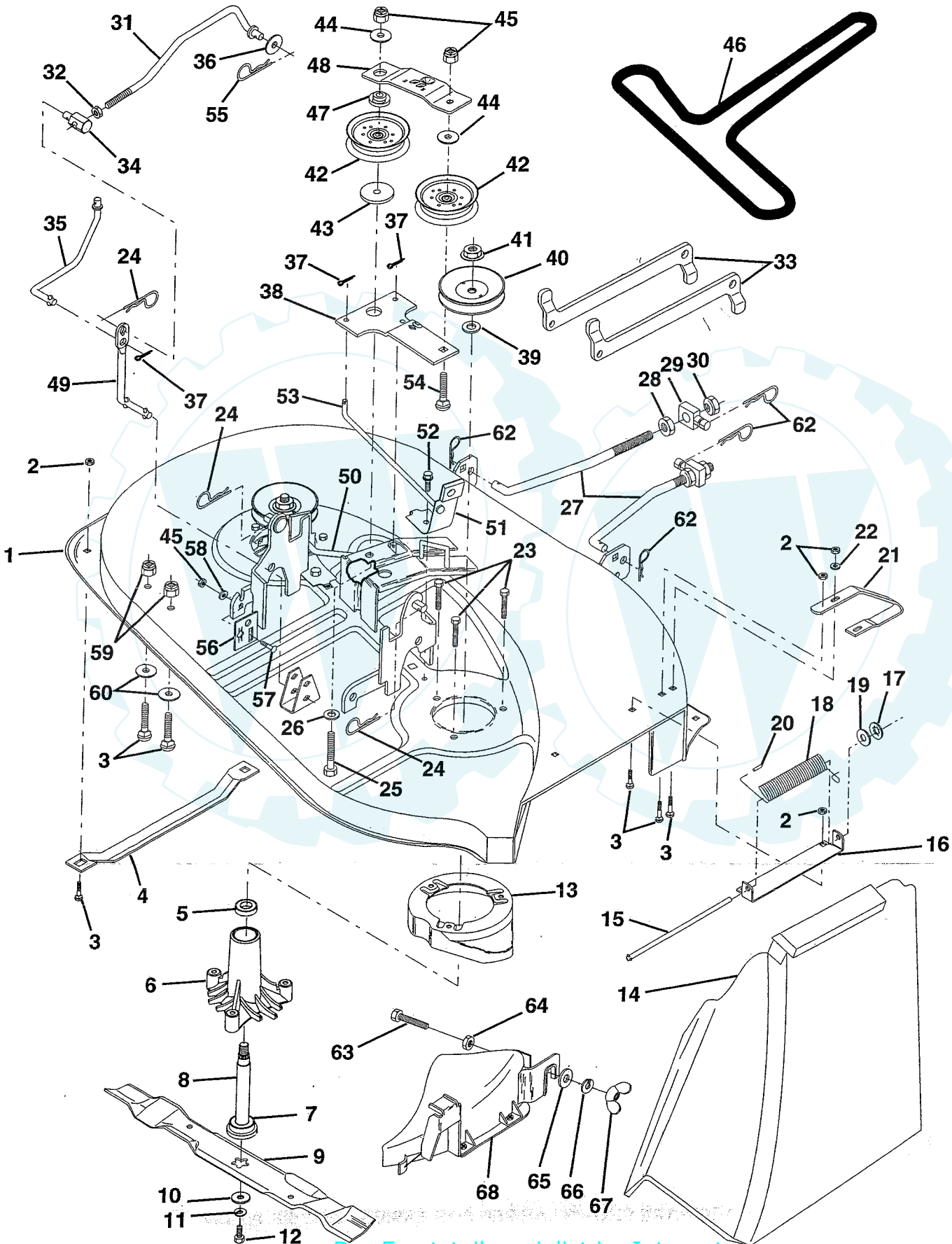
NOTE: All component dimensions given in U.S. inches
1 inch = 25.4 mm

HARDWARE SHOWN LARGER FOR EASIER IDENTIFICATION

REPAIR PARTS

12.5 HP 38" TRACTOR-MODEL NO. LR125 (HU125R38MA), PRODUCT NO. 954 00 05-22

MOWER DECK



REPAIR PARTS

12.5 HP 38" TRACTOR-MODEL NO. LR125 (HU125R38MA), PRODUCT NO. 954 00 05-22

MOWER DECK

KEY NO.	PART NO.	DESCRIPTION	KEY NO.	PART NO.	DESCRIPTION
1	532138356	Mower Deck Assembly	40	532129206	Pulley, Mandrel
2	873680500	Nut, Crownlock 5/16-18	41	873050900	Nut, Flangelock 9/16
3	872140506	Bolt, Carriage 5/16-18 x 3/4	42	532131494	Pulley, Flat Idler
4	532125074	Runner, L.H.	43	532122052	Spacer, Retainer
5	532110485	Bearing	44	819131612	Washer 13/32 x 1 x 12 Gauge
6	532128774	Housing, Mandrel	45	873680600	Nut, Crownlock 3/8-16
7	532129895	Bearing	46	532131290	Belt
8	532137645	Shaft and Bearing Assembly, Mandrel (Includes Key Number 7)	47	532133502	Spacer, Idler Arm
9	532134148	Blade, Mulching	48	532133503	Stiffener, Idler Arm
10	532129962	Washer, Hardened	49	532133551	Rod, Pivot
11	810030600	Washer, Lock 3/8	50	532131289	Rod, Brake, L.H.
12	532850857	Bolt, Hex 3/8-24 x 1-1/4 Grade 8	51	532130840	Brake Assembly
13	532136929	Stripper, Mower, Vented	52	817490512	Screw, Hex Washer Head, Thd., Roll. 5/16-18 x 3/4
14	532106736	Shield, Deflector	53	532131288	Rod, Brake, R.H.
15	532106735	Rod, Hinge	54	872110614	Bolt, Carriage 3/8-16 x 1-3/4 Grade 5
16	532137607	Bracket Assembly, Deflector	55	532124788	Spring, Retainer
17	532110452	Pushnut	56	532136782	Plate, Adjustment, Rear Link, L.H.
18	532106734	Spring, Deflector	57	872140606	Bolt, Carriage 3/8-16 x 3/4
19	819111016	Washer 11/32 x 5/8 x 16 Gauge	58	819131212	Washer 13/32 x 3/4 x 12 Gauge
20	532105304	Cap, Sleeve	59	873800500	Locknut, Hex, with Washer Insert 5/16-18
21	532128772	Runner, R.H.	60	819111112	Washer 11/32 x 11/16 x 12 Gauge
22	819111216	Washer 11/32 x 3/4 x 16 Gauge	62	532124660	Retainer, Spring
23	532078158	Bolt, Hex Head 5/16-18 x 1-1/4	63	874930620	Bolt, Hex Head 3/8-16 x 1-1/4
24	532124670	Retainer, Spring	64	873750600	Locknut 3/8-16
25	874600636	Bolt, Carriage 3/8-16 x 2-1/4	65	819132016	Washer 13/32 x 1-1/4 x 16 Gauge
26	819131612	Washer 13/32 x 1 x 12 Gauge	66	810040600	Washer, Lock, Heavy Helical Spring 3/8
27	532132556	Link Assembly, Front	67	532135651	Nut, Wing
28	873350800	Nut, Hex, Jam 1/2-13 UNC	68	532132803	Cover Assembly, Mulching
29	532130171	Trunnion	--	532130794	Mandrel Assembly (Includes Key Numbers 5-8, 10-12, 39 and 41)
30	873800800	Locknut with Washer Insert 1/2-13 UNC	--	532138422	Mower Deck, Standard
31	532132553	Clutch Rod, Primary			= Order Mulching-Blade and Mulcher Components Separately (Key Numbers 9 and 63-68)
32	873350600	Nut, Hex, Jam 3/8-16			
33	532132559	Arm, Suspension, Rear			
34	532133604	Trunnion 3/8-16			
35	532132554	Clutch Rod, Secondary			
36	819131316	Washer 13/32 x 13/16 x 16 Gauge			
37	876020312	Pin, Cotter 3/32 x 3/4			
38	532133840	Idler Arm			
39	532129963	Washer .150 Thick			

NOTE: All component dimensions given in U.S. inches
1 inch = 25.4 mm

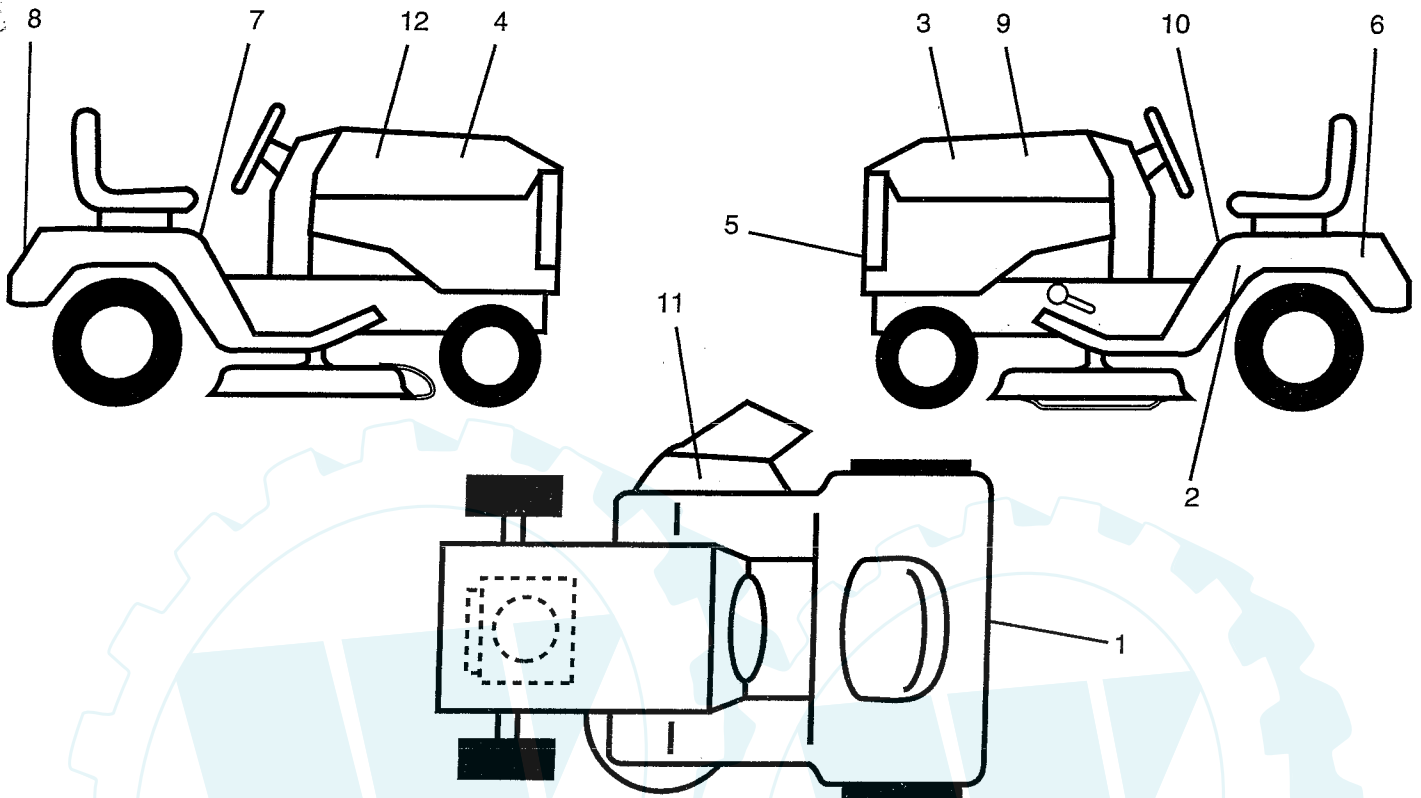
HARDWARE SHOWN LARGER FOR EASIER IDENTIFICATION

REPAIR PARTS

www.ersatzteil-service.de

12.5 HP 38" TRACTOR-MODEL NO. LR125 (HU125R38MA), PRODUCT NO. 954 00 05-22

DECALS



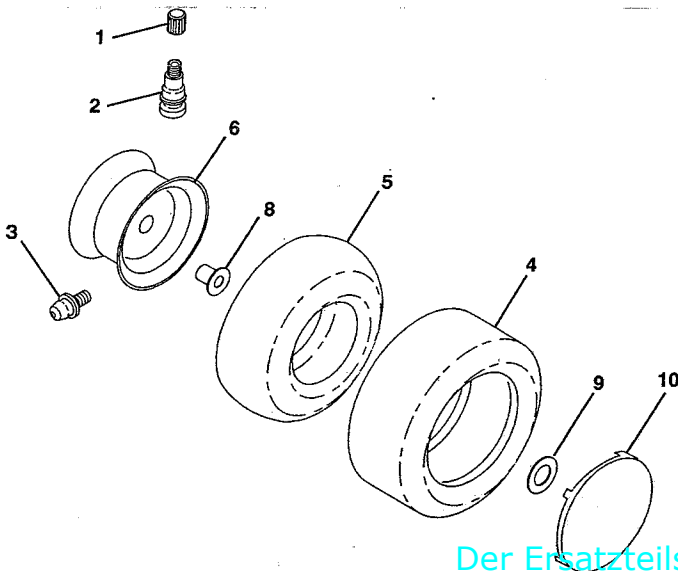
KEY NO.	PART NO.	DESCRIPTION
1	532127520	Decal, USA, White
2	532135073	Decal, Indicator
3	532137541	Decal, Hood, L.H.
4	532137540	Decal, Hood, R.H.
5	532125989	Decal, Logo, Grill
6	532121549	Decal, Caution, Battery
7	532123637	Decal, Instruction, Warning,
8	532131582	Decal, Logo, Fender
9	532137714	Decal, Hood, Insert L.H.

KEY NO.	PART NO.	DESCRIPTION
10	532133795	Decal Caution Fender
11	532137259	Decal, Warning
12	532137713	Decal, Hood, Insert, R.H.
--	532137564	Manual, Owner's, English
--	532137565	Manual, Owner's, French

AVAILABLE ACCESSORIES (Not Included with tractor)

-CER38 Bagger

WHEELS & TIRES



KEY NO.	PART NO.	DESCRIPTION
1	532059192	Cap, Valve Stem
2	532065139	Stem, Valve
3	532124957	Fitting, Grease (Front Wheels Only)
4	532137422	Tire, Front
	532132703	Tire, Rear
5	532059904	Tube, Front Tire
	532008134	Tube, Rear Tire
		(Optional, Service Items Only)
6	532138888	Rim, Front
	532124973	Rim, Rear
8	532124959	Bearing Flange
9	532121748	Washer 25/32 x 1-5/8 x 16 Gauge
10	532124577	Cover, Front Wheel, 6"
	532124578	Cover, Rear Wheel, 8"

NOTE: All component dimensions given in U.S. inches
1 inch = 25.4 mm

Der Ersatzteilspezialist im Internet.