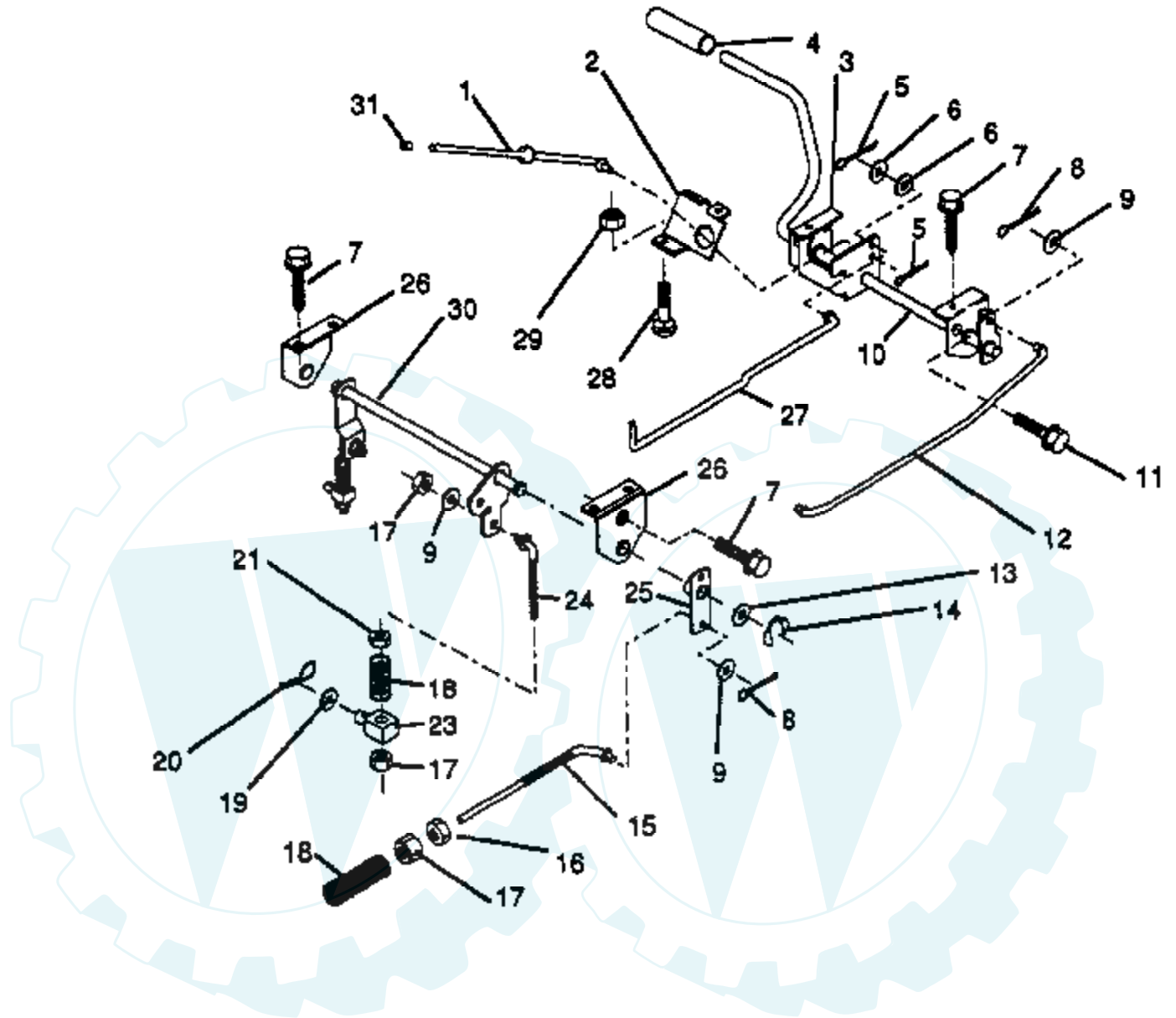
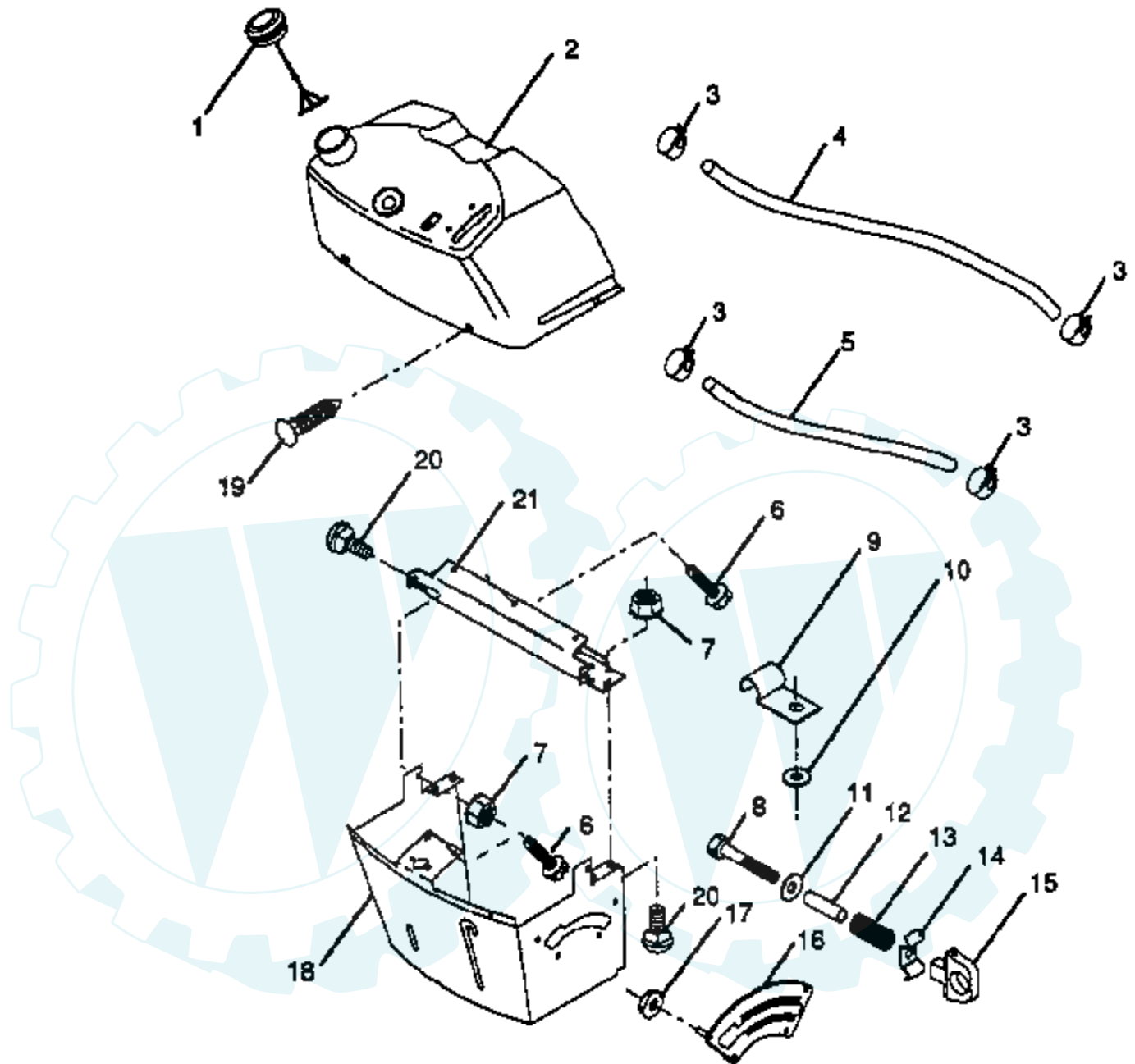


BRAKE / REAR MOWER LIFT ASSEMBLY

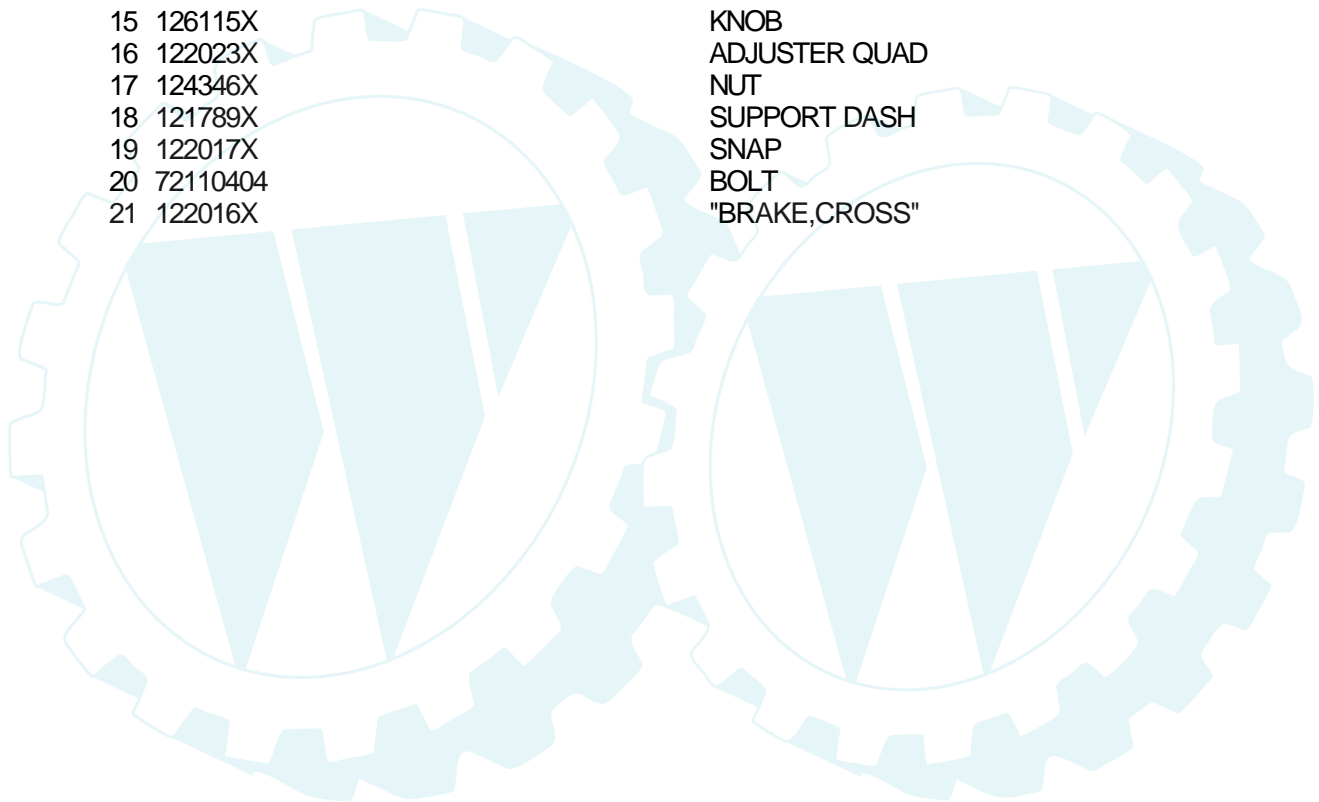


Ref #	Part Number	Qty	Description
1	123436X		"ROD,PARK BRAKE"
2	123437X		"BRKT,PARK BRAKE"
3	122504X		"BRKT,CLU PEDAL LH"
4	8883R		PEDAL COVER T
5	76020312		SUB= 3145
6	19131016		WASHER
7	17490508		SCREW LT
8	76020412		COTTER PIN
9	19131316		WASHER
10	124145X		SUB= 139933
11	17490508		SCREW LT
12	123543X		"ROD,FRT BRAKE"
13	19251816		WASHER T
14	12000034		KLIP RING
15	123546X		SUB= 131461
16	73350600		NUT
17	73680600		SUB= 73690600
18	106888X		SPRING ROD LT
19	19132012		WASHER
20	4921H		SPRING.RETAINER
21	73930600		LOCKNUT
22	106888X		SPRING ROD LT
23	106204X		SUB= 132793
24	123672X		"LINK.LIFT.3.5"'"
25	123641X		BRAKE PIVOT ARM
26	121978X		"BRKT,LIFT SHAFT"
27	123394X		"ROD,CLUTCH"
28	72110506		SUB= 72270506
29	73510500		NUT
30	123547X		REAR MOWER LIFT
31	71673		PLUNGER CAP T

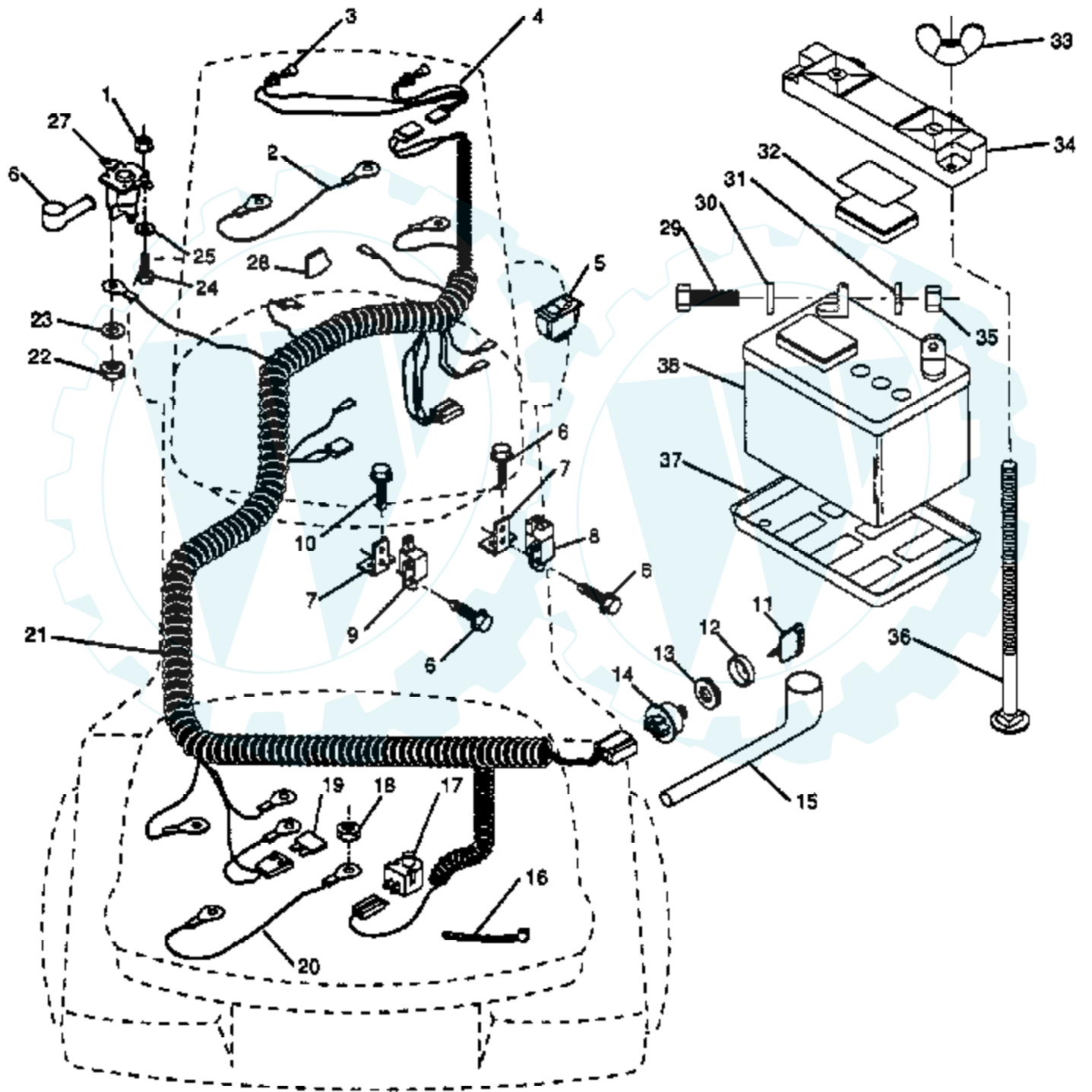
DASH



Ref #	Part Number	Qty	Description
1	122015X		SUB= 141523
2	124540X		SUB= 138392
3	123487X		HOSE CLAMP
4	8548R		FUEL LINE T
5	8544R		SUB= 295J
6	17111312		SCREW
7	73510400		NUT
8	74760432		BOLT
9	2751R		CLIP T
10	19091216		WASHER PM
11	19111116		WASHER
12	123494X		SPACER SPLIT
13	2876H		SPRING T
14	123493X		HEIGHT ADJ
15	126115X		KNOB
16	122023X		ADJUSTER QUAD
17	124346X		NUT
18	121789X		SUPPORT DASH
19	122017X		SNAP
20	72110404		BOLT
21	122016X		"BRAKE,CROSS"

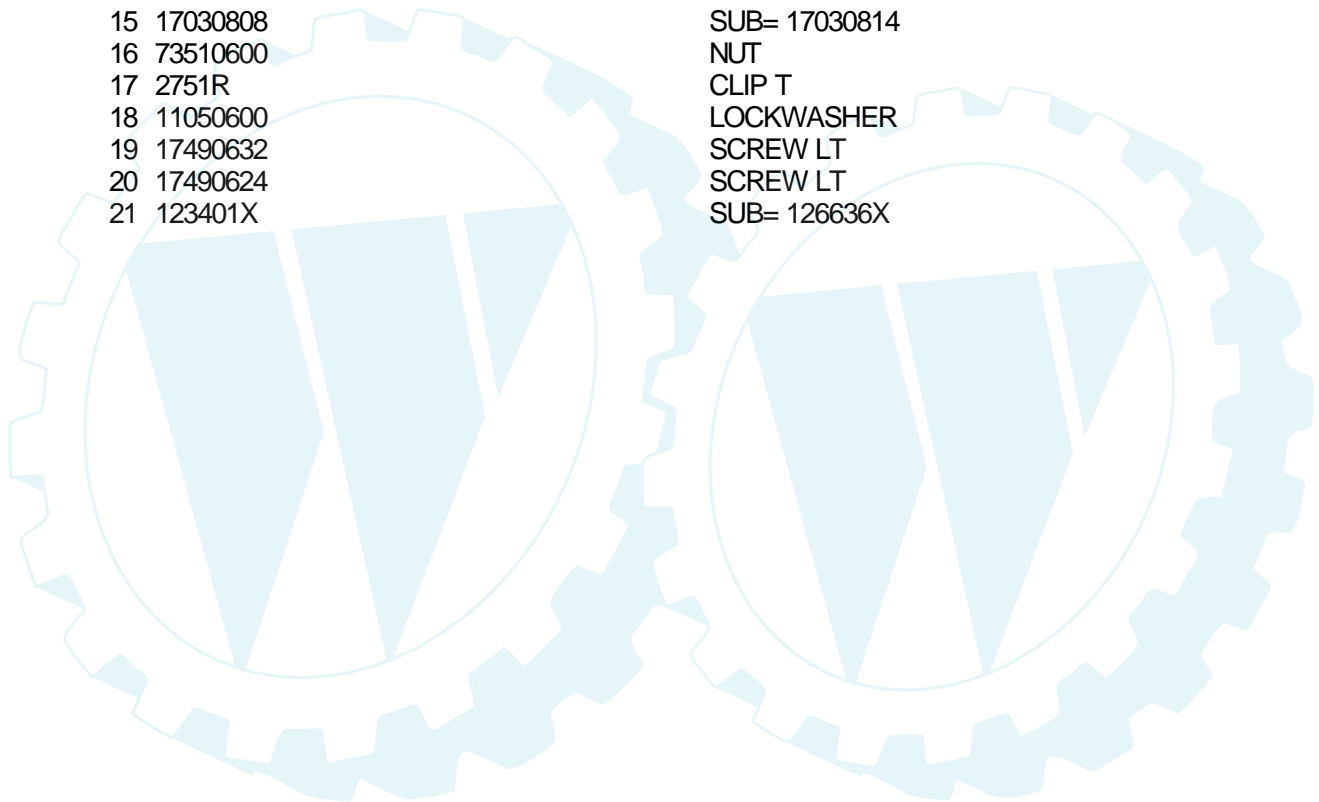


ELECTRICAL

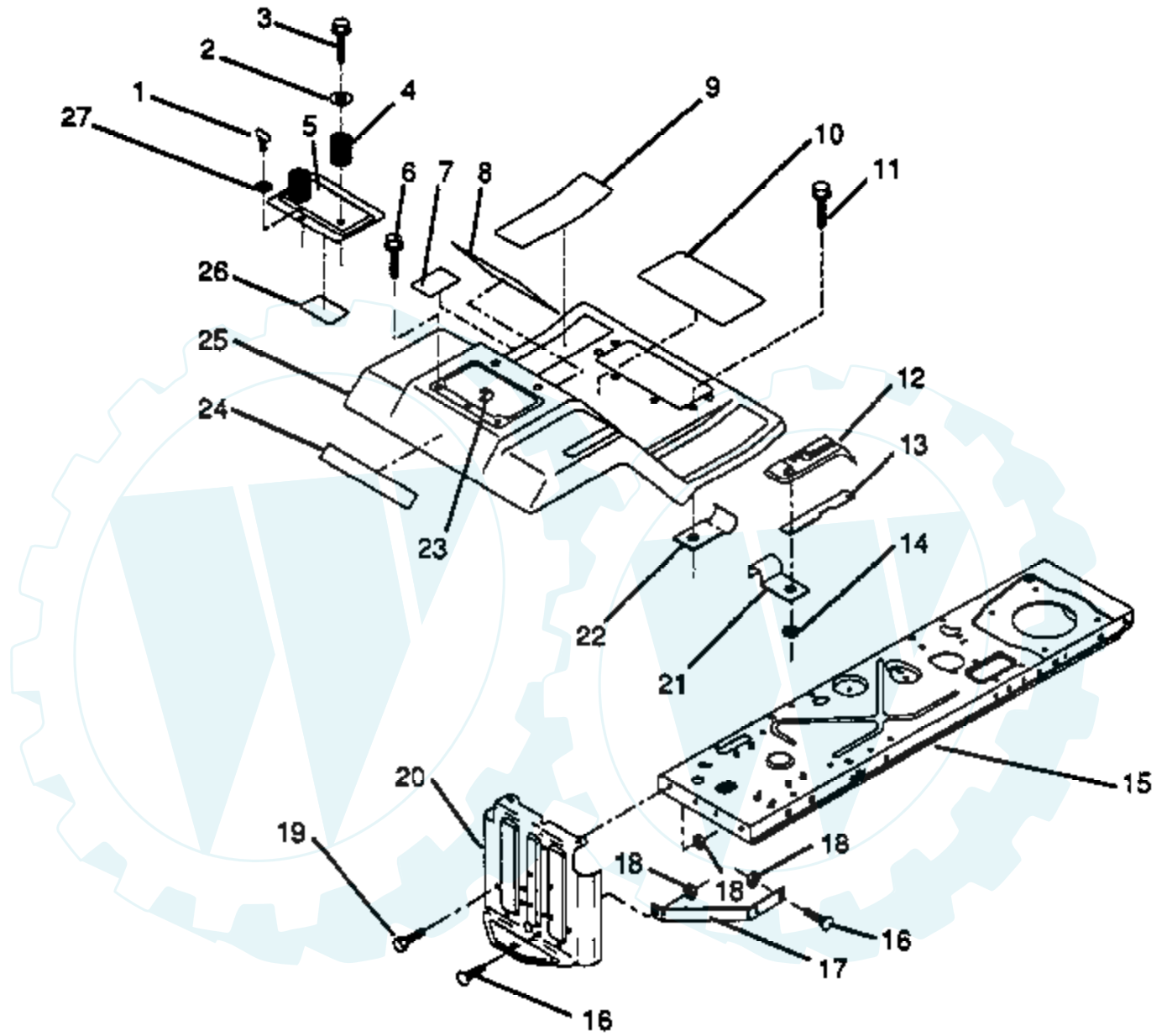


Ref #	Part Number	Qty	Description
1	73510400		NUT
2	105002X		CABLE LTV
3	7662J		SUB= 4152J
4	110859X		HARNESS T
5	110712X		SWITCH LT
6	17021008		SCREW
7	108236X		BRACKET LT
8	104445X		SWITCH-INTER. GT
9	109553X		SWITCH INTERLOCKT
10	17211008		SCREW
11	122147X		KEY
12	123620X		SUB= 141226
13	124211X		NUT IGNITION
14	4406R		SUB= STD365402
15	124083X		COVER IGNITION SW
16	7192J		WIRE TIE
17	121305X		SWITCH SEAT
18	73510500		NUT
19	108824X		FUSE HYT
20	596J		SUB= 2955J
21	124190X		HARNESS IGNITION
22	73350400		NUT
23	10090400		SUB= 10040400
24	74780408		BOLT
25	11050400		LOCKWASHER
26	719J		SUB= 154336
27	109081X		SUB= 146154
28	125760X		STOP PLASTIC
29	74760412		BOLT LT
30	19091016		WASHER
31	10040400		LOCKWASHER
32	121264X		"CAP,BATTERY "
33	123198X		SUB= 146525
34	102476X		SUB= 150109
35	73220400		SUB= 50675
36	72240460		BOLT
37	7603J		"TRAY T, BATTERY"
38	121265X		SUB= 123899X
	123374X1E		MANUAL OWNERS ENGLISH
	125763X1F		MANUAL OWNERS FRENCH
	MS-9811		OPERATING AND MAINTENANCE MANUAL
	125770X		NLA
	125764X		PART LIST FRENCH

Ref #	Part Number	Qty	Description
1	17720408		SCREW
2	125985X		SUB= 132750
3	124101X		ENGINE BRIGGS AND STRATTON
4	108760X		DECAL.ENG.27164
5	71070512		SCREW
6	10040500		LOCKWASHER
7	125493X		SUB= 125728X
8	4470J		SPACER T
9	121094X		BOLT T
10	19101216		WASHER
11	10040400		LOCKWASHER
12	74780420		BOLT
13	123676X		SUB= 137437
14	101326L		DEFLECTOR.222573
15	17030808		SUB= 17030814
16	73510600		NUT
17	2751R		CLIP T
18	11050600		LOCKWASHER
19	17490632		SCREW LT
20	17490624		SCREW LT
21	123401X		SUB= 126636X

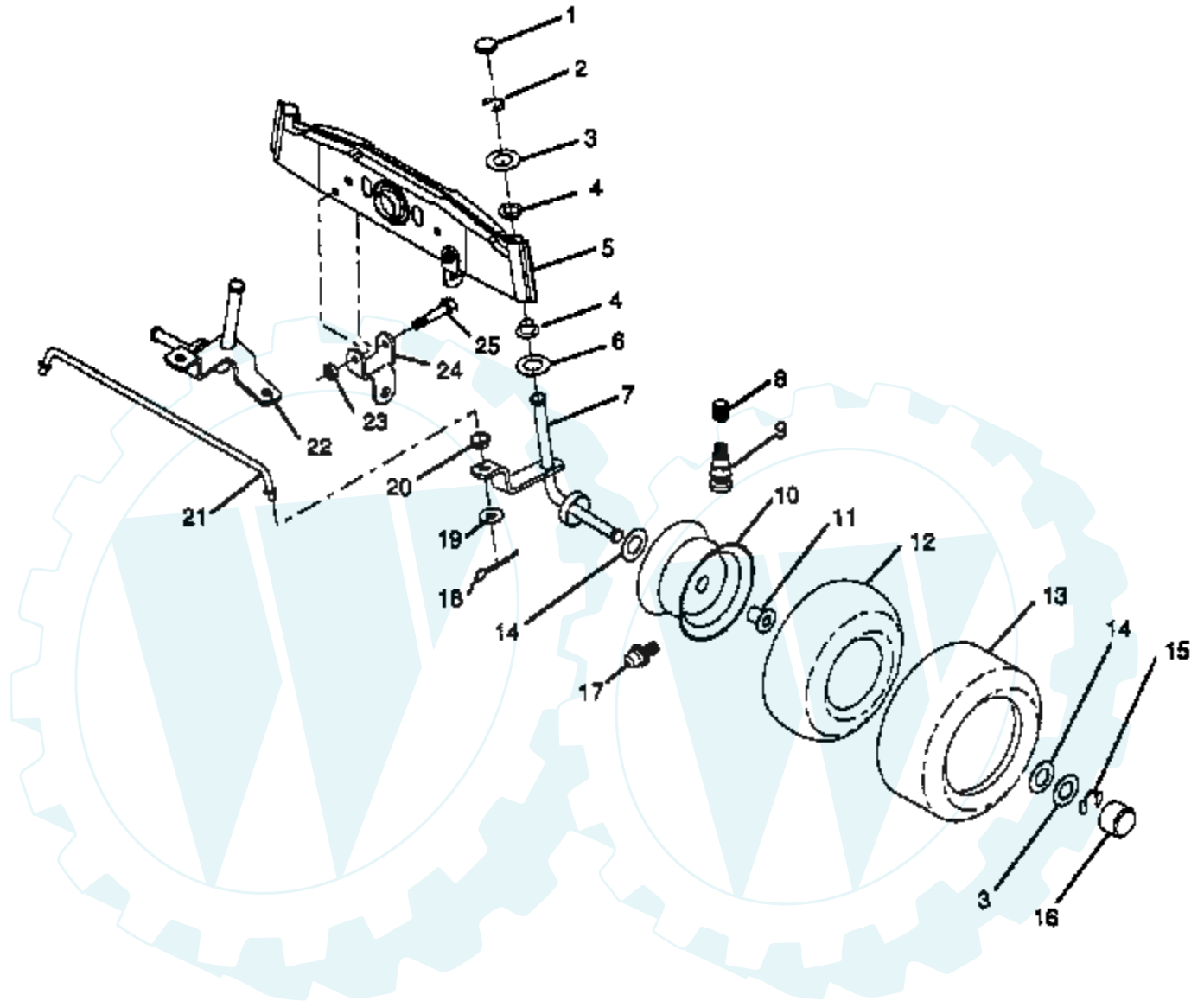


FENDER / CHASSIS

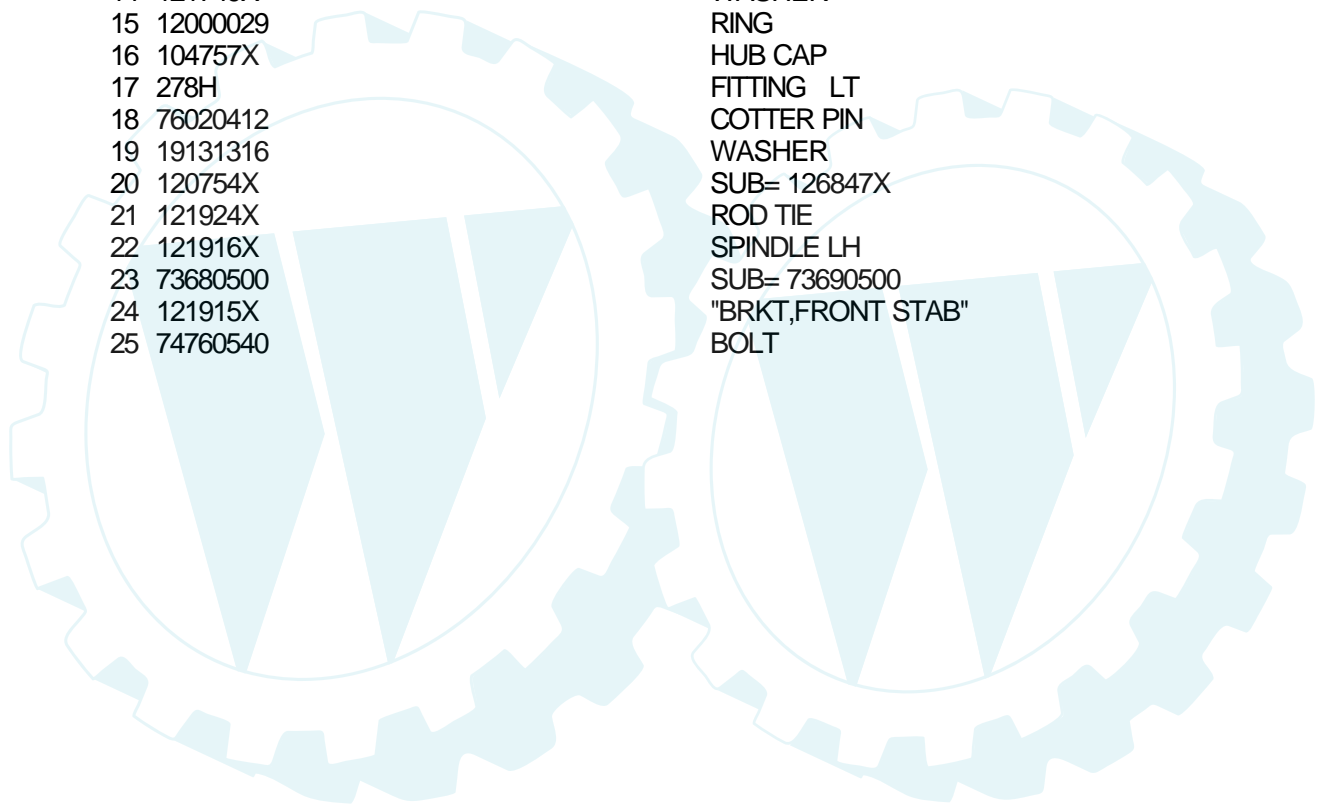


Ref #	Part Number	Qty	Description
1	123650X		STUD.1/4.TURN
2	19132012		WASHER
3	17490612		SCREW
4	124181X		SPRING COMPRESSIO
5	122008X388		SUB= 122008X425
6	17490508		SCREW LT
7	123408X		DECAL DRIVE
8	120822X		DECAL
9	124144X		PAD FOOTREST
10	123637X		SUB= 138269
11	17490512		SCREW
12	126220X		SUB= 126993X
13	124307X		"SHIFT LOCK, BAR"
14	120579X		PAL NUT
15	123645X		FRAME ASS'Y
16	72140506		BOLT
17	123379X		"BRACE,DRAWBAR "
18	73680500		SUB= 73690500
19	74760512		BOLT
20	121904X		DRAWBAR
21	6798R		SUB= 2751R
22	6794R		SUB= 2751R
23	105839X		RECEPTACLE LT
24	123689X		NLA
25	124332X388		SUB= 124332X425
26	121549X		DECAL
27	105838X		RETAINER LT

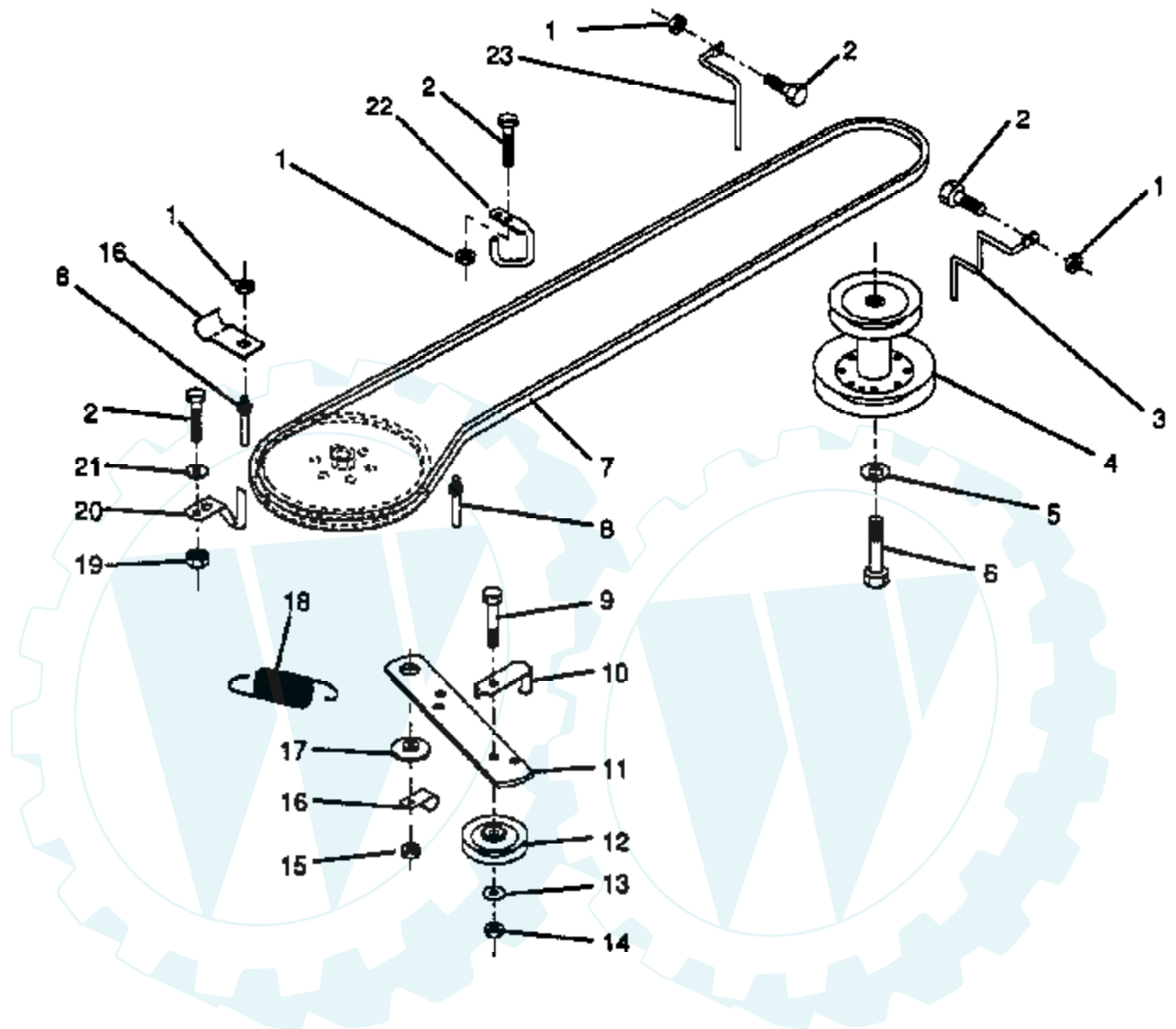
FRONT AXLE



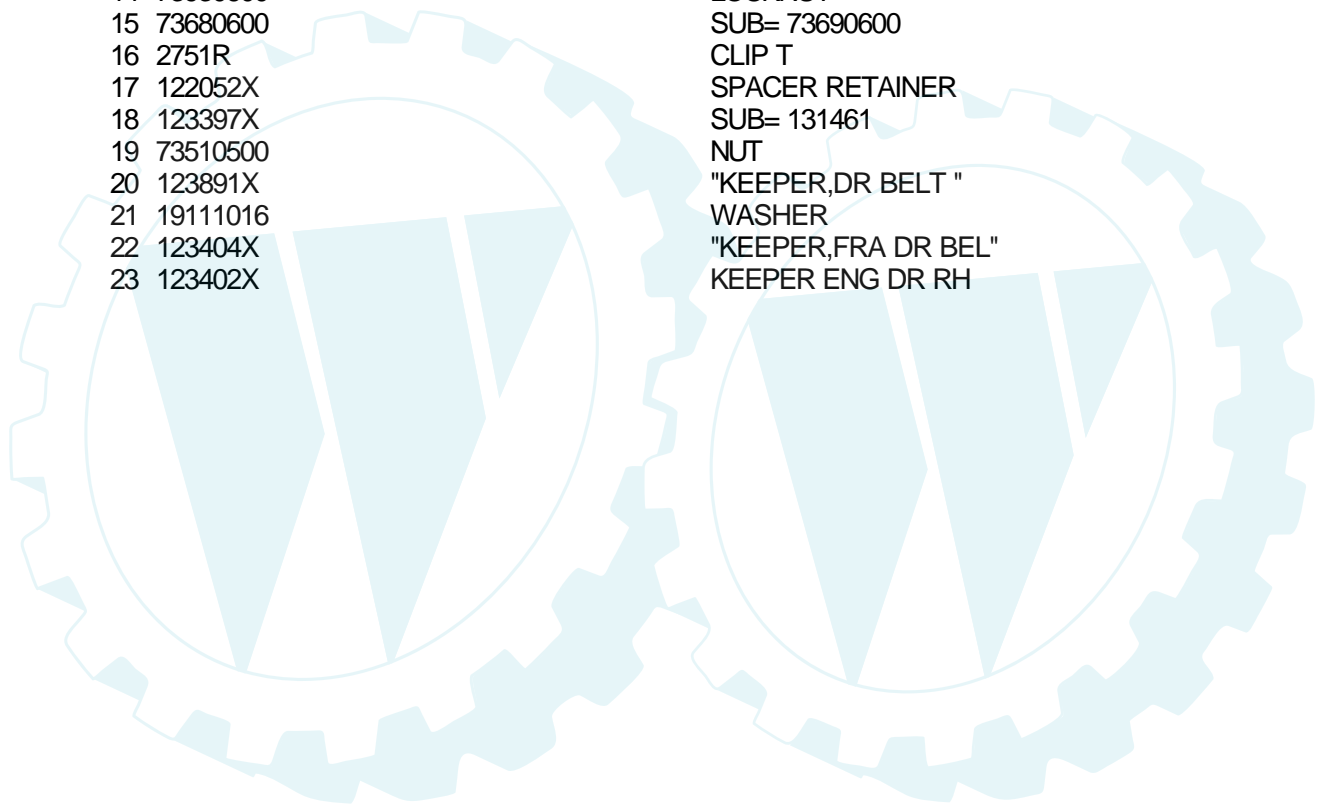
Ref #	Part Number	Qty	Description
1	121232X		CAP
2	12000029		RING
3	121748X		WASHER
4	121922X		NYLINER
5	121914X		AXLE FRONT
6	6266H		WASHER .T
7	121919X		SPINDLE RH
8	59192		VALVE CAP
9	65139		VALVE STEM LT
10	122394X		SUB= 137237X427
11	9040H		"FLANGE, BEARING"
12	59904		TUBE.5.3/4.5/6
13	124142X		SUB= 123410X
14	121749X		WASHER
15	12000029		RING
16	104757X		HUB CAP
17	278H		FITTING LT
18	76020412		COTTER PIN
19	19131316		WASHER
20	120754X		SUB= 126847X
21	121924X		ROD TIE
22	121916X		SPINDLE LH
23	73680500		SUB= 73690500
24	121915X		"BRKT,FRONT STAB"
25	74760540		BOLT



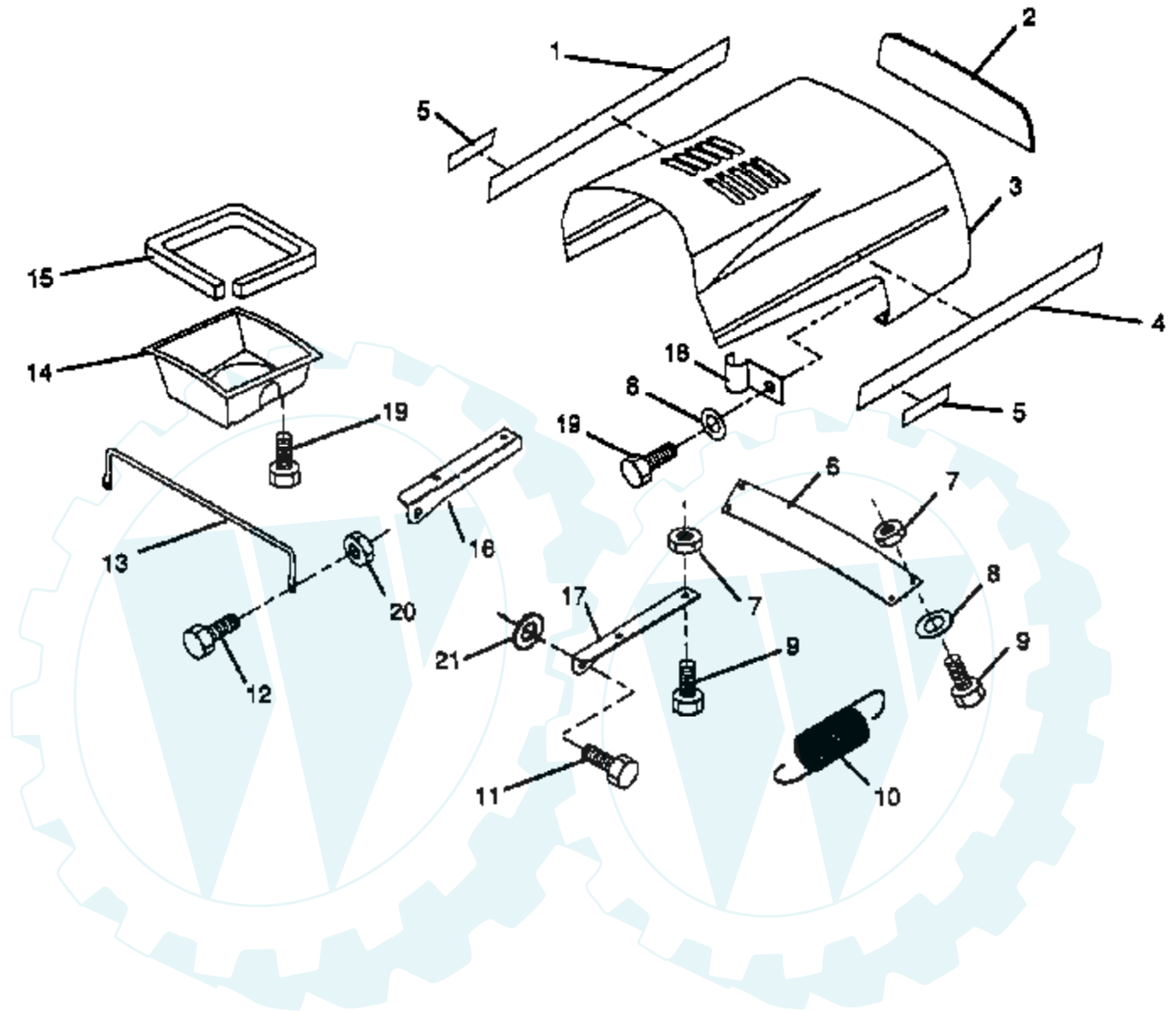
GROUND DRIVE



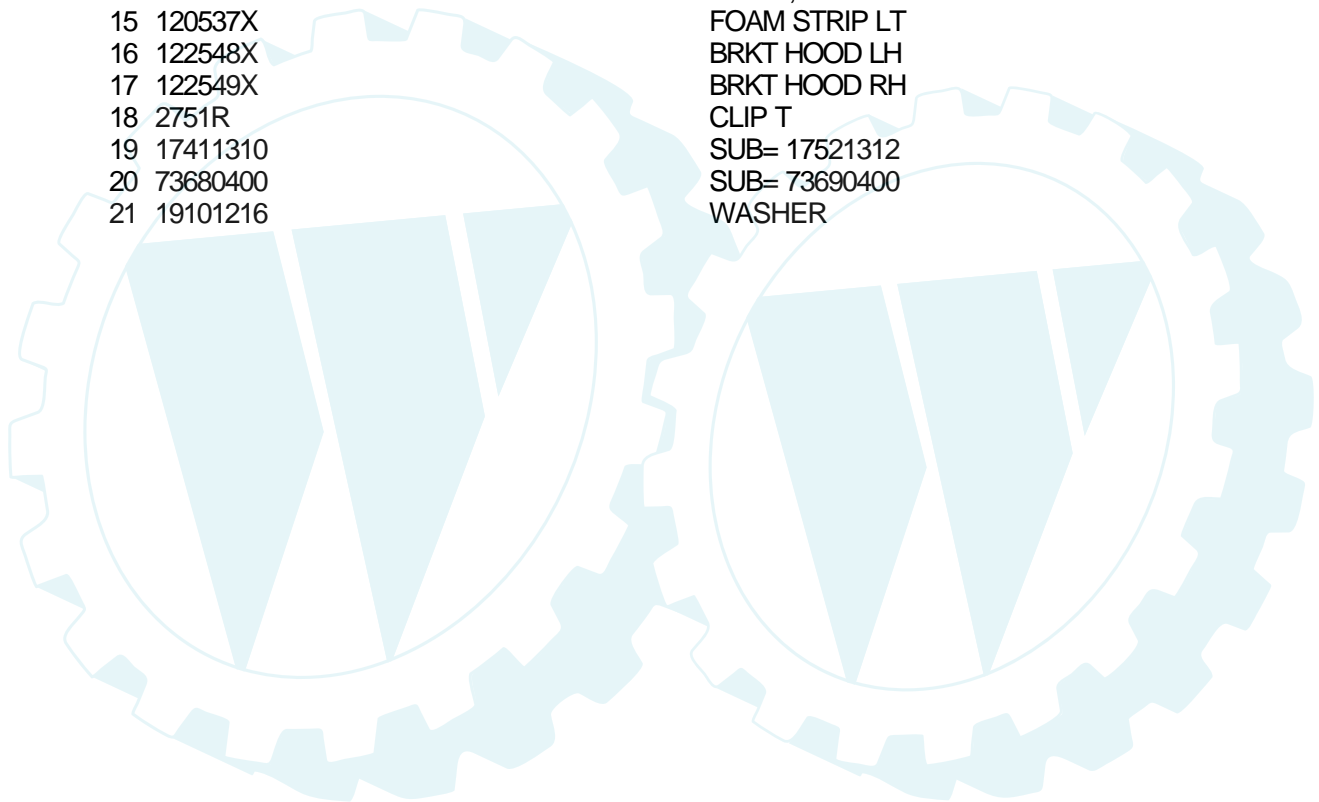
Ref #	Part Number	Qty	Description
1	73680500		SUB= 73690500
2	74760512		BOLT
3	123448X		KEEPER ENG BEL LH
4	123400X		SUB= 135893
5	10040700		LOCKWASHER
6	74770720		SUB= 71130720
7	124525X		BELT
8	123405X		"KEEPER,DRIVE BELT"
9	74760624		SUB= 74930624
10	123396X		"KEEP,IDLER DR BEL "
11	123395X		SUB= 140911
12	123674X		PULLEY.IDLER.FLAT
13	19131316		WASHER
14	73930600		LOCKNUT
15	73680600		SUB= 73690600
16	2751R		CLIP T
17	122052X		SPACER RETAINER
18	123397X		SUB= 131461
19	73510500		NUT
20	123891X		"KEEPER,DR BELT "
21	19111016		WASHER
22	123404X		"KEEPER,FRA DR BEL "
23	123402X		KEEPER ENG DR RH



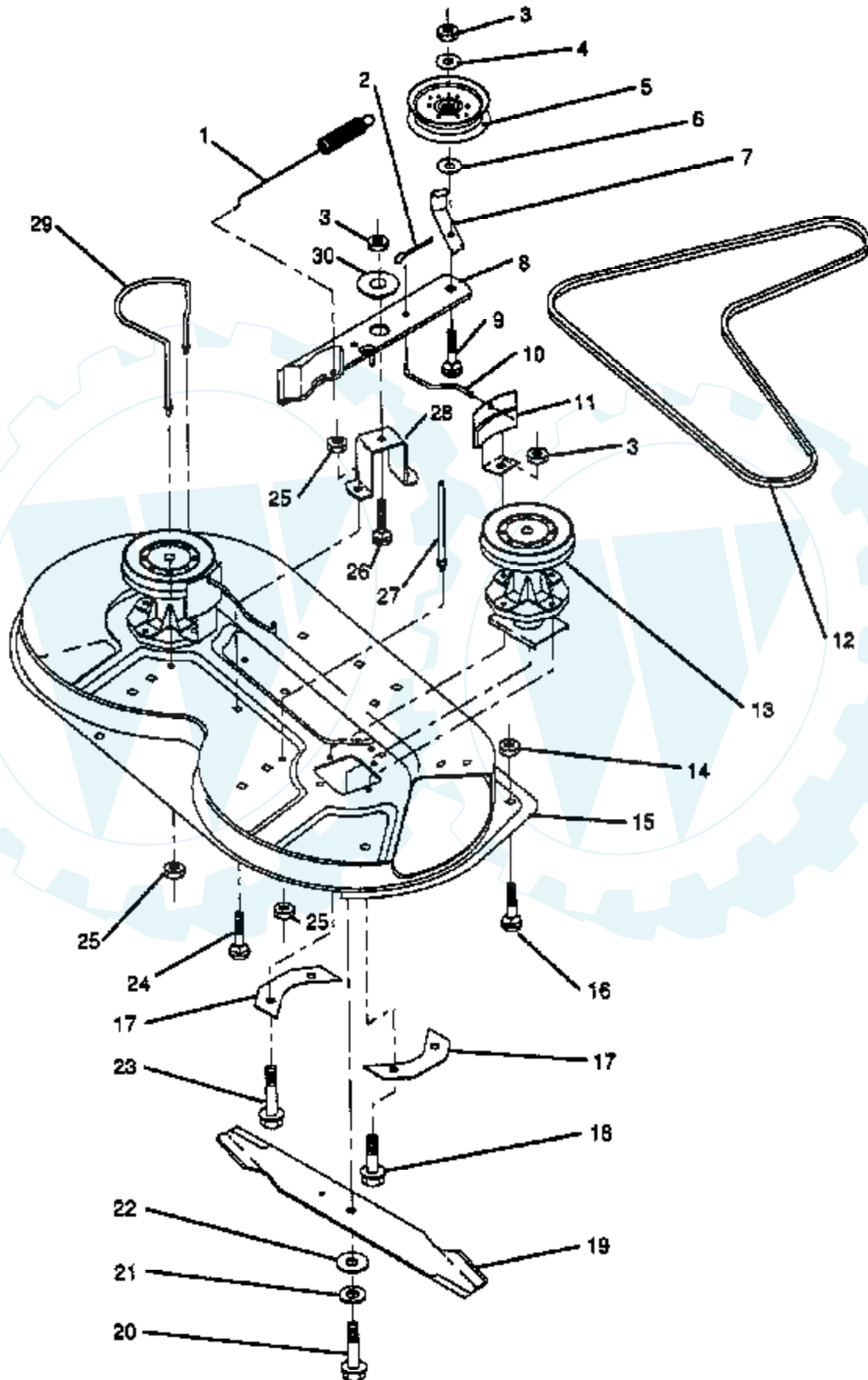
HOOD



Ref #	Part Number	Qty	Description
1	122036X		NLA
2	122035X		LENS
3	123527X		HOOD&GRILL ASS'Y
4	122037X		NLA
5	124603X		"DECAL,SIDE PANEL"
6	122550X388		SUB= 122550X425
7	120579X		PAL NUT
8	19091016		WASHER
9	74780410		BOLT
10	124657X		EXT SPRING
11	124312X		BOLT SHOULDER
12	74780412		SUB= 74780414
13	123693X		"BRACE,HOOD"
14	123840X		"DUCT,AIR"
15	120537X		FOAM STRIP LT
16	122548X		BRKT HOOD LH
17	122549X		BRKT HOOD RH
18	2751R		CLIP T
19	17411310		SUB= 17521312
20	73680400		SUB= 73690400
21	19101216		WASHER

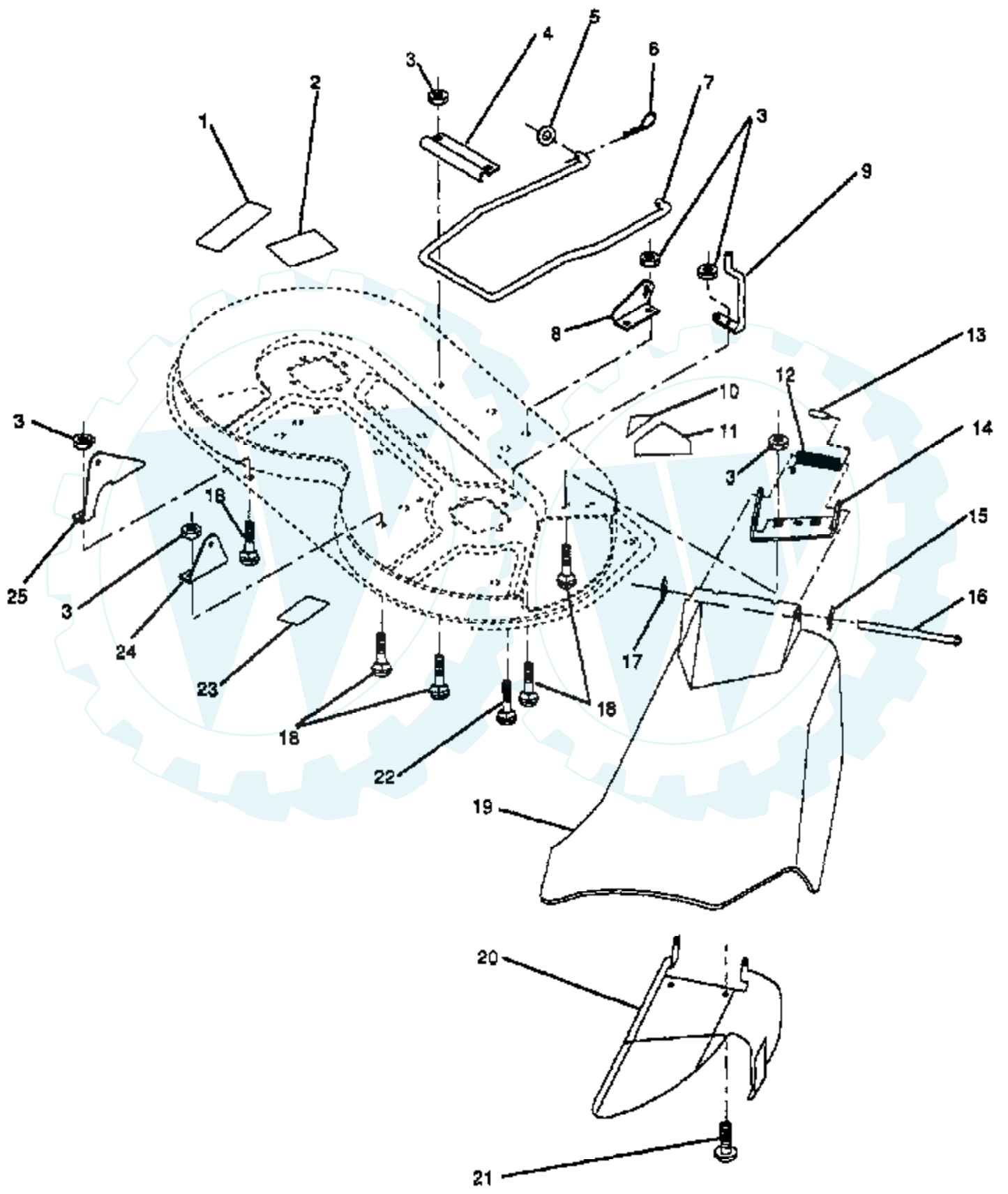


MOWER DECK

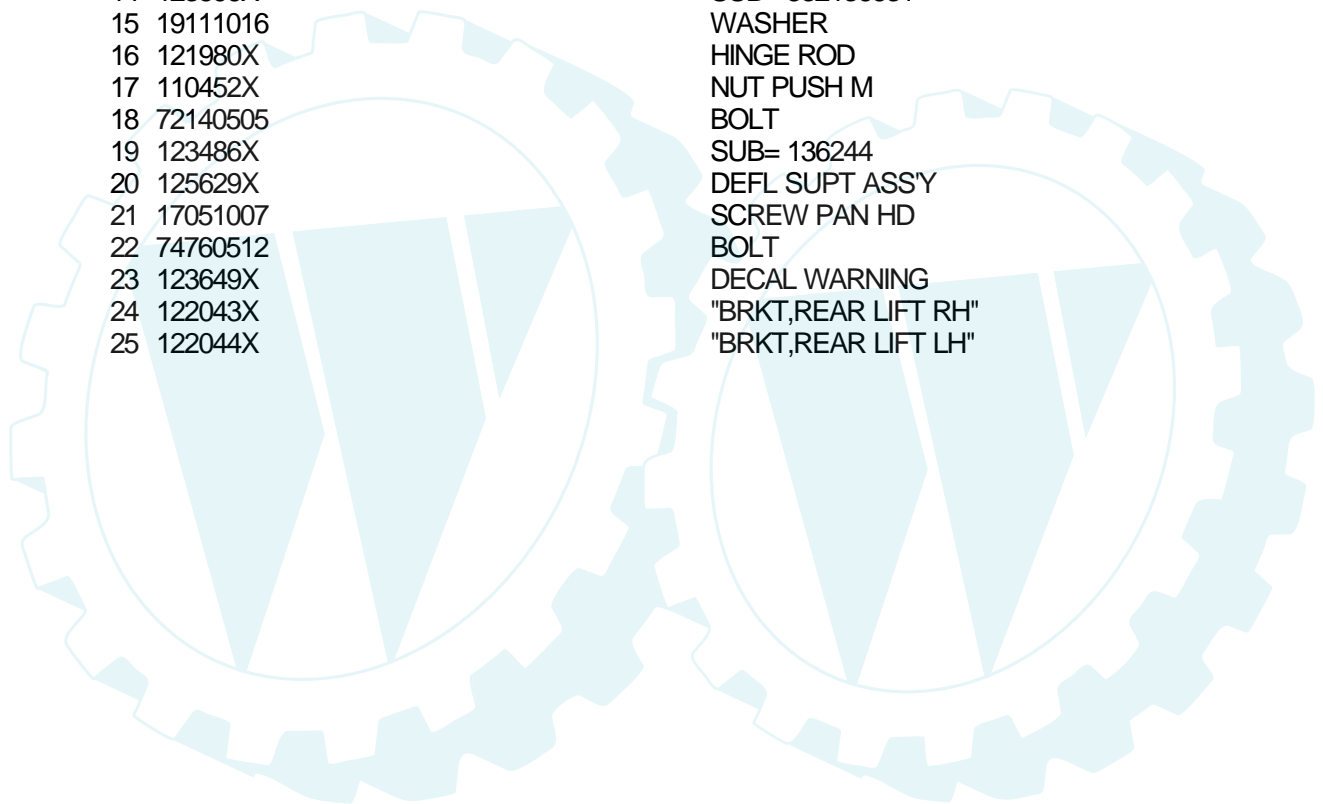


Ref #	Part Number	Qty	Description
1	122028X		SUB= 140064
2	76020312		SUB= 3145
3	73680600		SUB= 73690600
4	19131412		WASHER
5	121316X		PULLEY IDLER
6	19132203		WASHER GT
7	123204X		SUB= 126756X
8	123702X		IDLER ARM ASSY
9	72110618		BOLT CARRIAGE
10	122049X		ROD BRAKE
11	106578X		BRAKE LT
12	124293X		BELT.MOWER.79.75
13	124208X		MANDREL ASSY
14	73680400		SUB= 73690400
15	121787X		SUB= 144727
16	72140404		BOLT
17	100668L		SUPPORT PLATE LT
18	17490614		SCREW
19	122260X		"BLADE.36"LOW LIFT"
20	74610624		BOLT.3/8-24X1-1/2
21	10030600		SUB= 10040600
22	19132012		WASHER
23	17490620		SCREW
24	72140505		BOLT
25	73680500		SUB= 73690500
26	72110608		BOLT D
27	123439X		"GUIDE,REAR BEL RH"
28	122051X		"SUPT,IDLER ARM"
29	123673X		GUIDE BELT LH
30	122052X		SPACER RETAINER

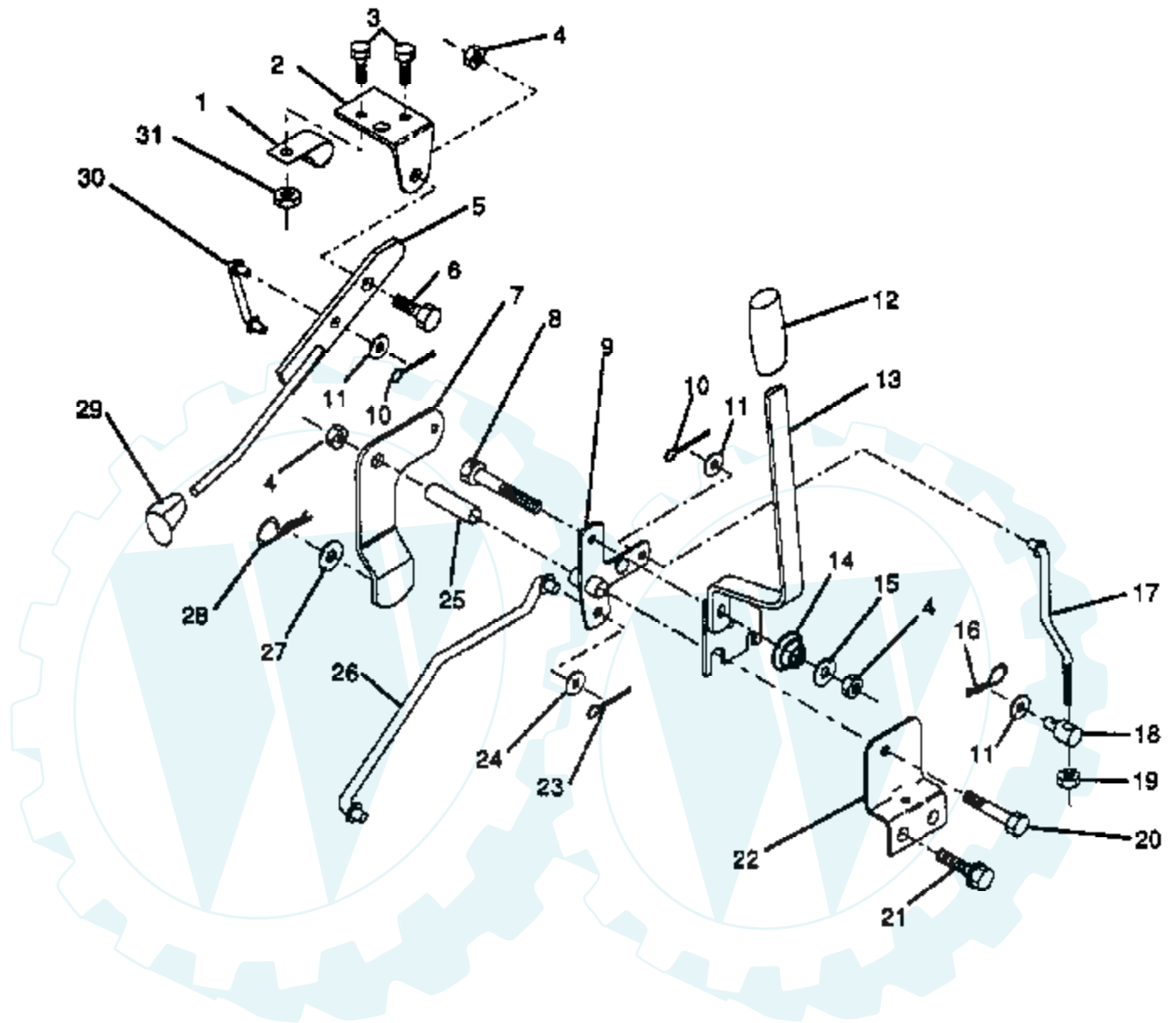
MOWER DECK



Ref #	Part Number	Qty	Description
1	109820X		DECAL YT
2	105814X		DECAL.LT
3	73680500		SUB= 73690500
4	122047X		"BRKT,STAB LINK"
5	19171713		SUB= 146537
6	4921H		SPRING.RETAINER
7	124636X		STABILIZER MOWER
8	122045X		"BRKT,FRT LIFT RH"
9	123661X		"GUIDE,FRT MAN RH"
10	109984X		NLA
11	123658X		DECAL WARNING
12	123713X		SPRING TORSION
13	105304X		CAP-SLEEVE LT
14	123596X		SUB= 532136631
15	19111016		WASHER
16	121980X		HINGE ROD
17	110452X		NUT PUSH M
18	72140505		BOLT
19	123486X		SUB= 136244
20	125629X		DEFL SUPT ASS'Y
21	17051007		SCREW PAN HD
22	74760512		BOLT
23	123649X		DECAL WARNING
24	122043X		"BRKT,REAR LIFT RH"
25	122044X		"BRKT,REAR LIFT LH"

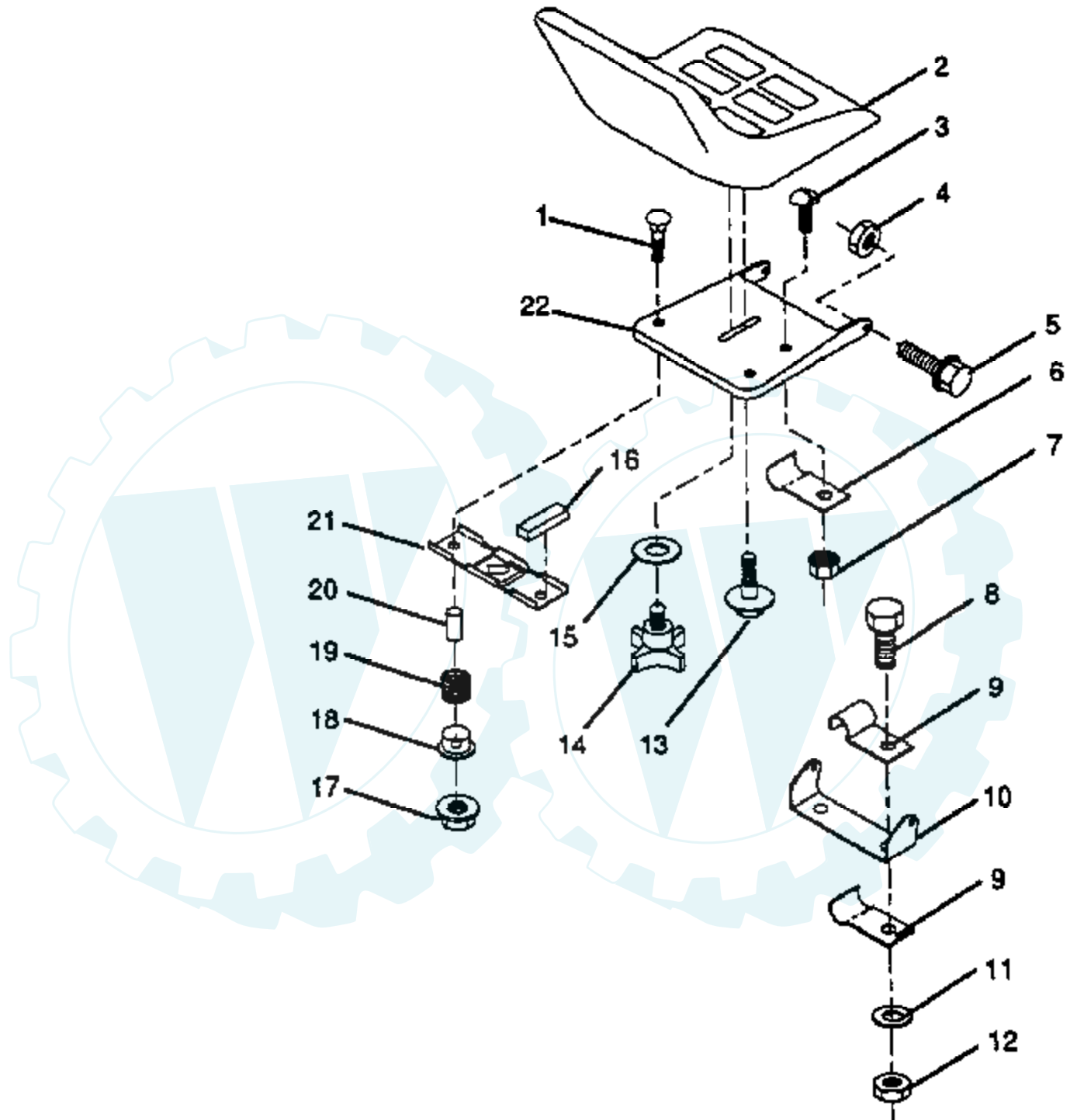


MOWER LIFT LEVER

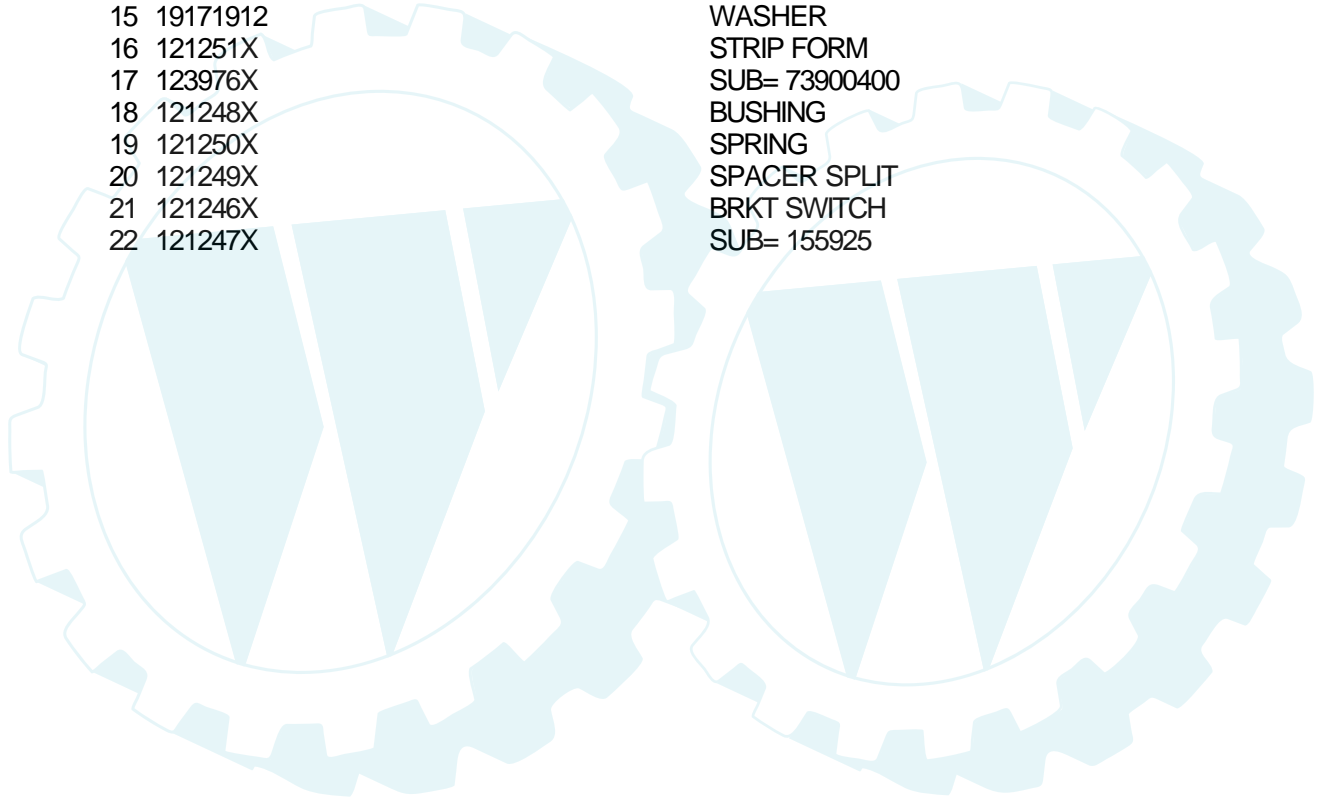


Ref #	Part Number	Qty	Description
1	2751R		CLIP T
2	122018X		BRKT CLUTCH
3	74780408		BOLT
4	73680600		SUB= 73690600
5	123417X		CLUTCH LEVER AS
6	106451X		"BOLT, SHOULDER LT"
7	123491X		CLUTCH ARM ASS'Y
8	74760636		BOLT
9	121930X		"BELLCRANK,LIFT"
10	76020412		COTTER PIN
11	19131316		WASHER
12	122027X		GRIP HANDLE
13	122741X		LIFT HANDLE ASS'Y
14	123496X		SPRING COMPRESSIO
15	19131212		WASHER T
16	76020412		COTTER PIN
17	123654X		LINK FRT LIFT
18	7078J		SUB= 142028
19	73350600		NUT
20	74760644		BOLT
21	17490508		SCREW LT
22	121929X		"BRKT,MOWER HGT"
23	76020416		PIN COTTER 1/8
24	19171616		WASHER
25	121933X		TUBE SPACER
26	121934X		"ROD,MOWER LIFT "
27	19131316		WASHER
28	76020312		SUB= 3145
29	121466X		KNOB
30	123671X		"LINK,MOWER LIFT"
31	73680400		SUB= 73690400

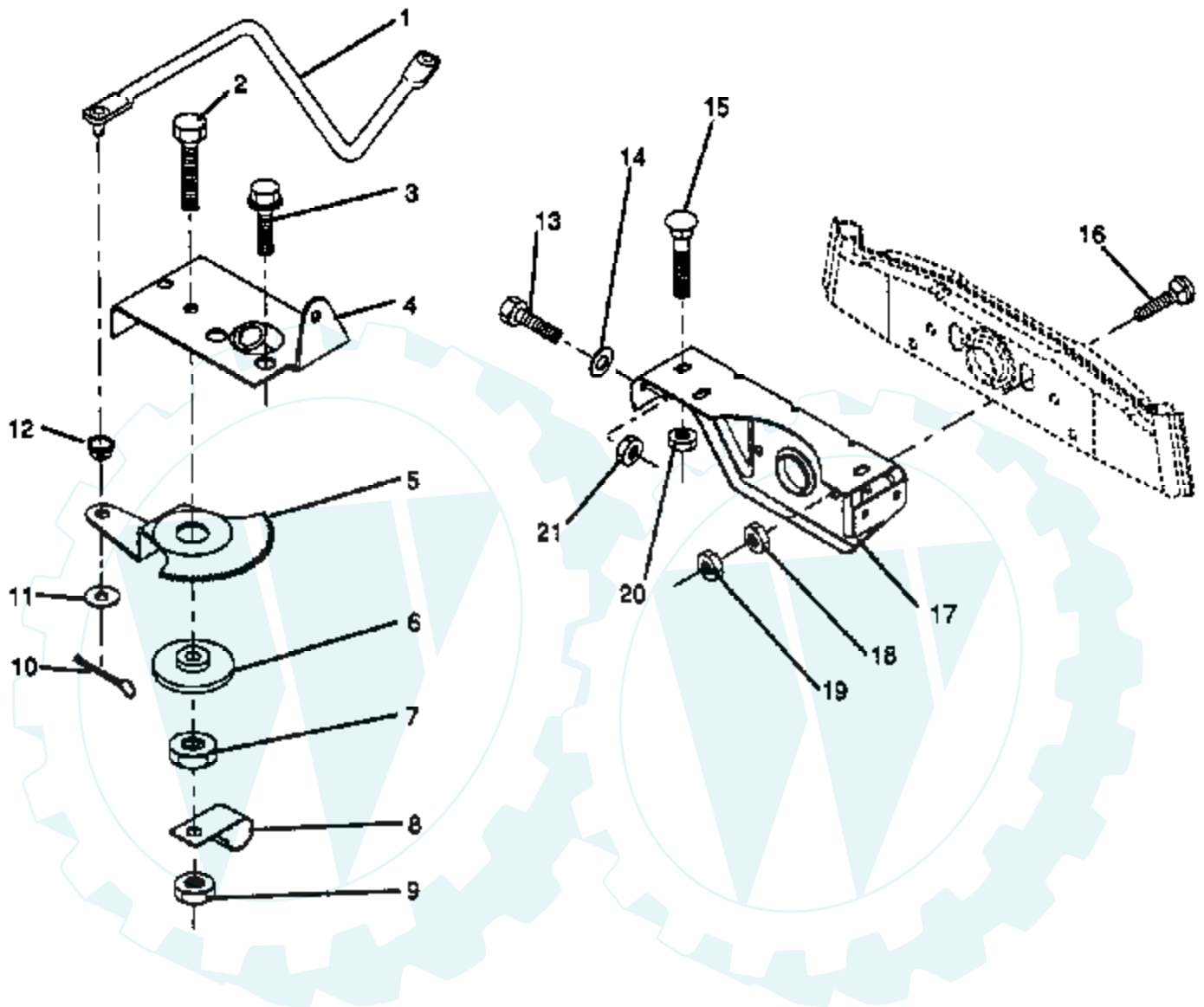
SEAT



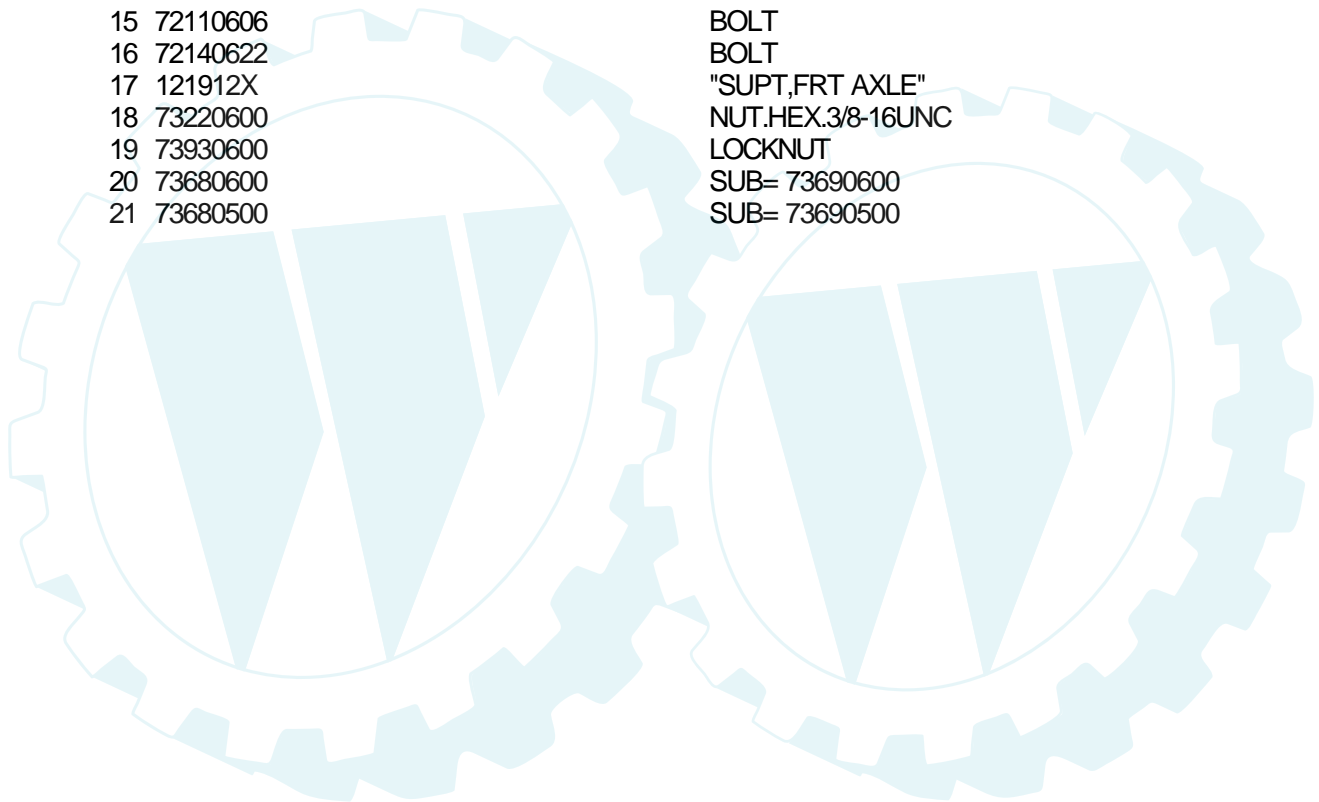
Ref #	Part Number	Qty	Description
1	72170410		BOLT
2	121076X		SUB= 140119
3	74641008		SUB= 71031008
4	73680500		SUB= 73690500
5	105529X		SUB= 139888
6	4171R		CLIP T
7	4171R		CLIP T
8	74760612		SUB= 74780612
9	2751R		CLIP T
10	105513X		SUB= 140551
11	19131210		WASHER
12	73680600		SUB= 73690600
13	121144X		SUB= 127018X
14	120068X		"KNOB 1/2"" YT"
15	19171912		WASHER
16	121251X		STRIP FORM
17	123976X		SUB= 73900400
18	121248X		BUSHING
19	121250X		SPRING
20	121249X		SPACER SPLIT
21	121246X		BRKT SWITCH
22	121247X		SUB= 155925



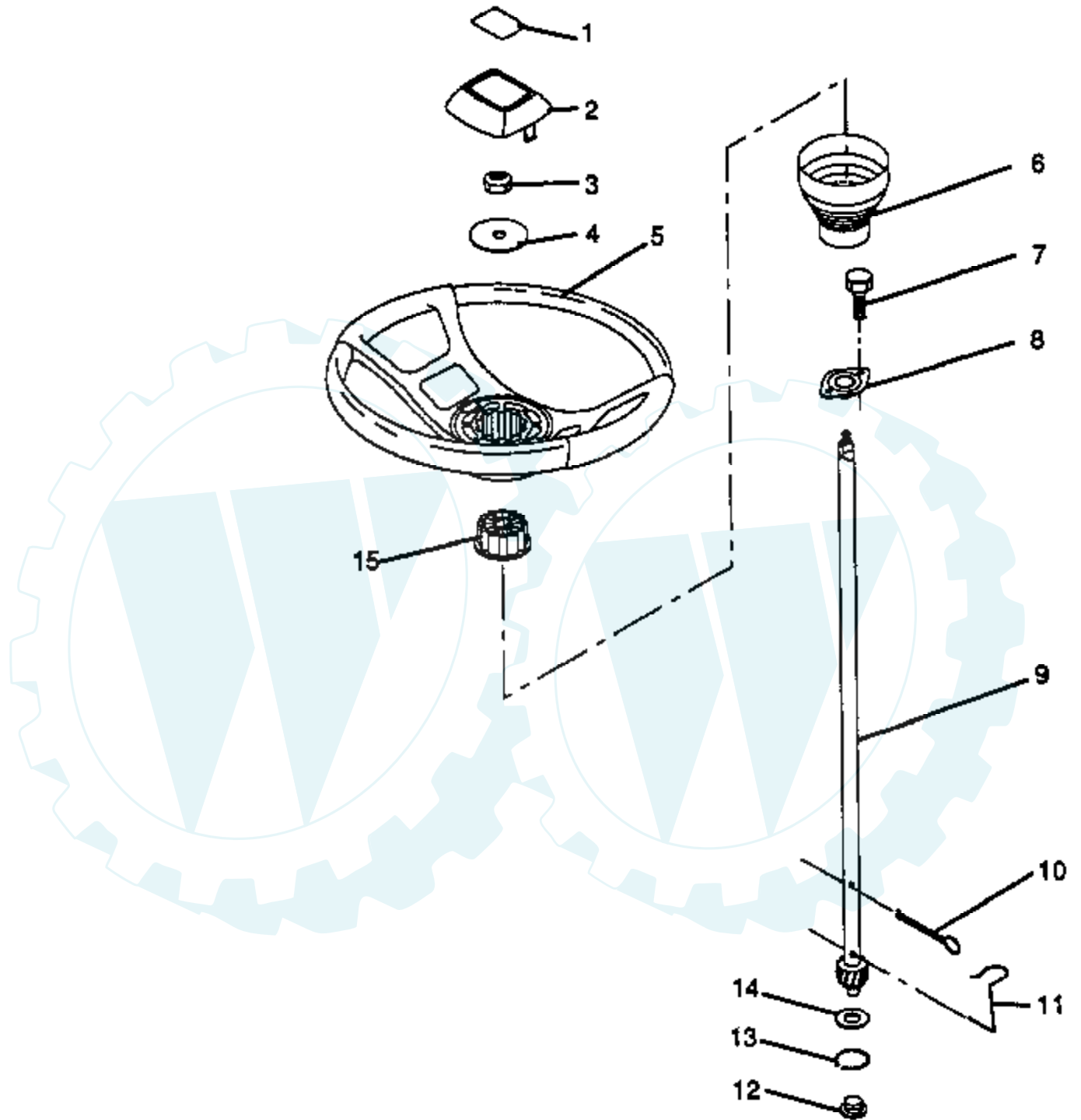
SECTOR GEAR / AXLE SUPPORT



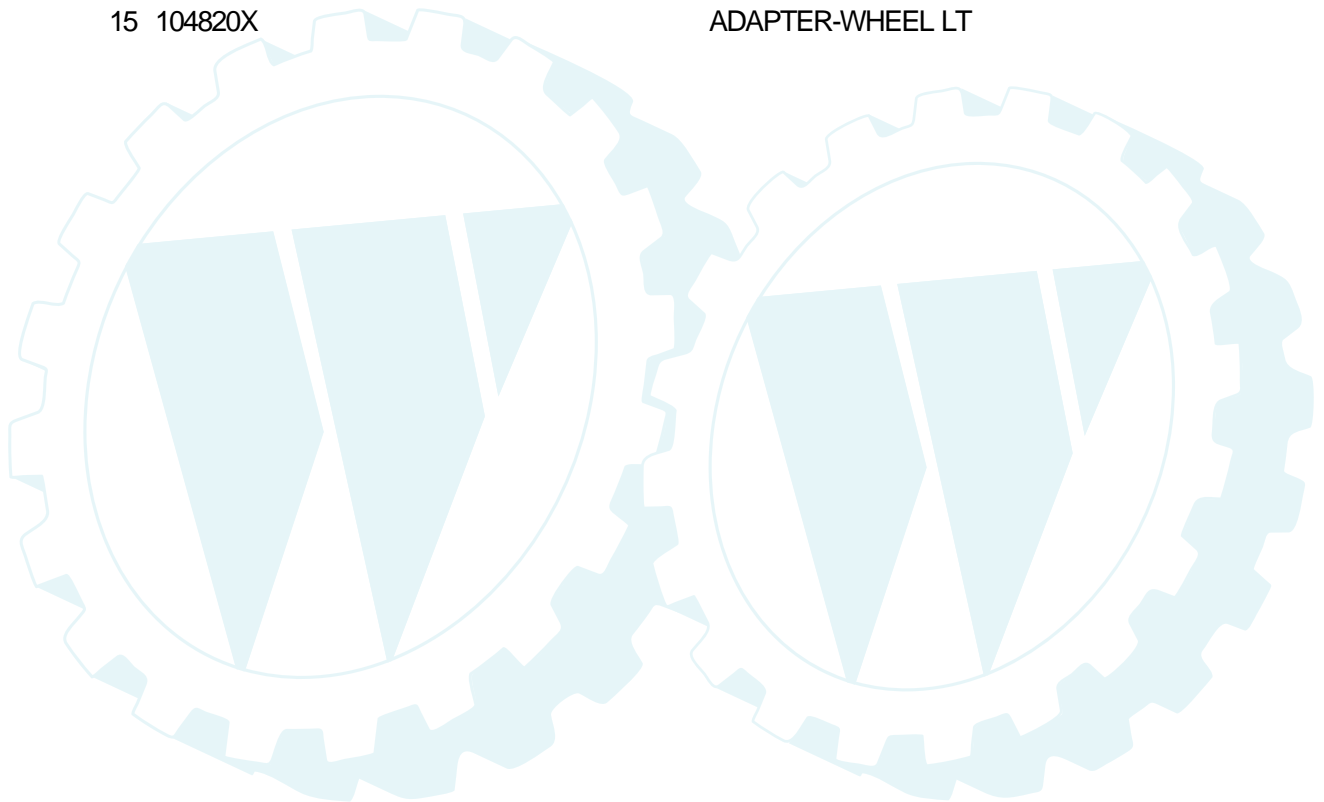
Ref #	Part Number	Qty	Description
1	124093X		SUB= 132566
2	74780828		"BOLT,HEX"
3	17490508		SCREW LT
4	121925X		"PLATE,STR SUPT"
5	121926X		GEAR SECTOR
6	121927X		BUSHING
7	73030800		NUT
8	123434X		CLIP WIRE
9	73680800		NUT LTV
10	76020412		COTTER PIN
11	19131316		WASHER
12	120754X		SUB= 126847X
13	74760512		BOLT
14	19111416		WASHER
15	72110606		BOLT
16	72140622		BOLT
17	121912X		"SUPT,FRT AXLE"
18	73220600		NUT.HEX.3/8-16UNC
19	73930600		LOCKNUT
20	73680600		SUB= 73690600
21	73680500		SUB= 73690500



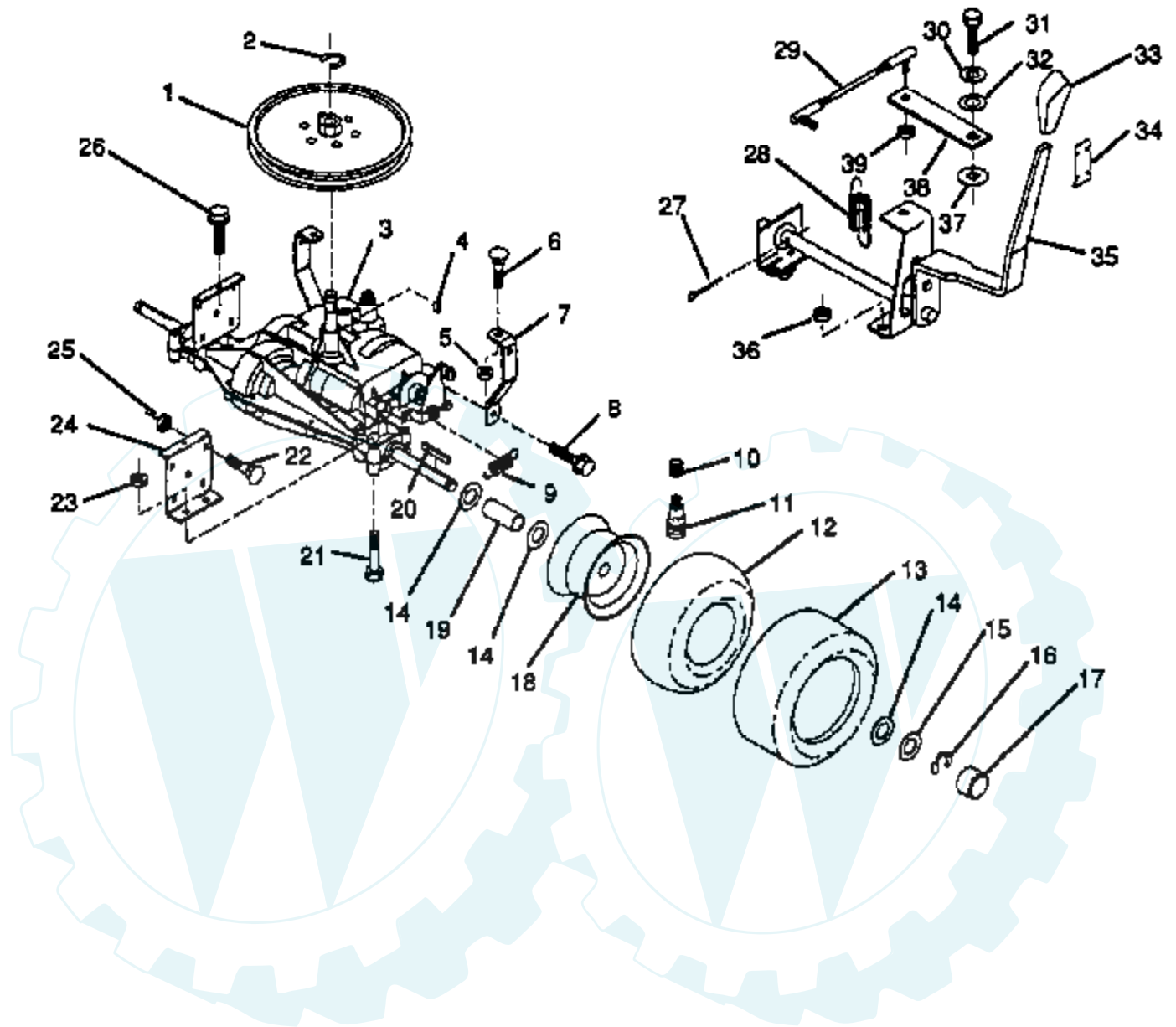
STEERING WHEEL



Ref #	Part Number	Qty	Description
1	123690X		NLA
2	100710L		INSERT-WHEEL LT
3	7810H		GRIPCO NUT
4	19133808		WASHER T
5	100713N		SUB= 150547
6	121897		SLEEVE STEERING
7	17431008		SUB= 98000165
8	102803X		SUB= 918102803X
9	123651X		SUB= 148966
10	76020424		"PIN,COTTER"
11	124210X		STEERING CLIP
12	123438X		BUSHING STEER LWR
13	12000045		RING
14	19211616		WASHER LT
15	104820X		ADAPTER-WHEEL LT



TRANSAXLE



Ref #	Part Number	Qty	Description
1	123385X		PULLEY
2	12000028		SUB= 2267J
3	123383X		SUB= 142594
4	2228M		SUB= 2228M1
5	73680500		SUB= 73690500
6	72140506		BOLT
7	123378X		"STRAP,TORQUE"
8	17490508		SCREW LT
9	110442X		SUB= 146682
10	59192		VALVE CAP
11	65139		VALVE STEM LT
12	8134H		TUBE.16X6.5/7.5-8
13	124143X		SUB= 122075X
14	121749X		WASHER
15	121748X		WASHER
16	12000001		E-RING LT
17	104757X		HUB CAP
18	123412X631		RIM
19	123409X		SPACER
20	123583X		SQUARE KEY
21	74760644		BOLT
22	72140506		BOLT
23	73680600		SUB= 73690600
24	123377X		"BRKT,TRANSAXLE"
25	73680500		SUB= 73690500
26	17490512		SCREW
27	76020416		PIN COTTER 1/8
28	123393X		EXT SPRING
29	123632X		"LINK,SHIFT"
30	10040400		LOCKWASHER
31	71040412		SUB= 74550412
32	19091210		WASHER LT
33	122011X		"KNOB,SHT CONTROL"
34	123692X		KNOB RETAINER
35	125976X		SHIFT HANDLE ASSY
36	73510500		NUT
37	105701X		WASH-SHFT PLT LT
38	123484X		ARM SHIFT
39	73810500		NUT.LOCK.5/16-24