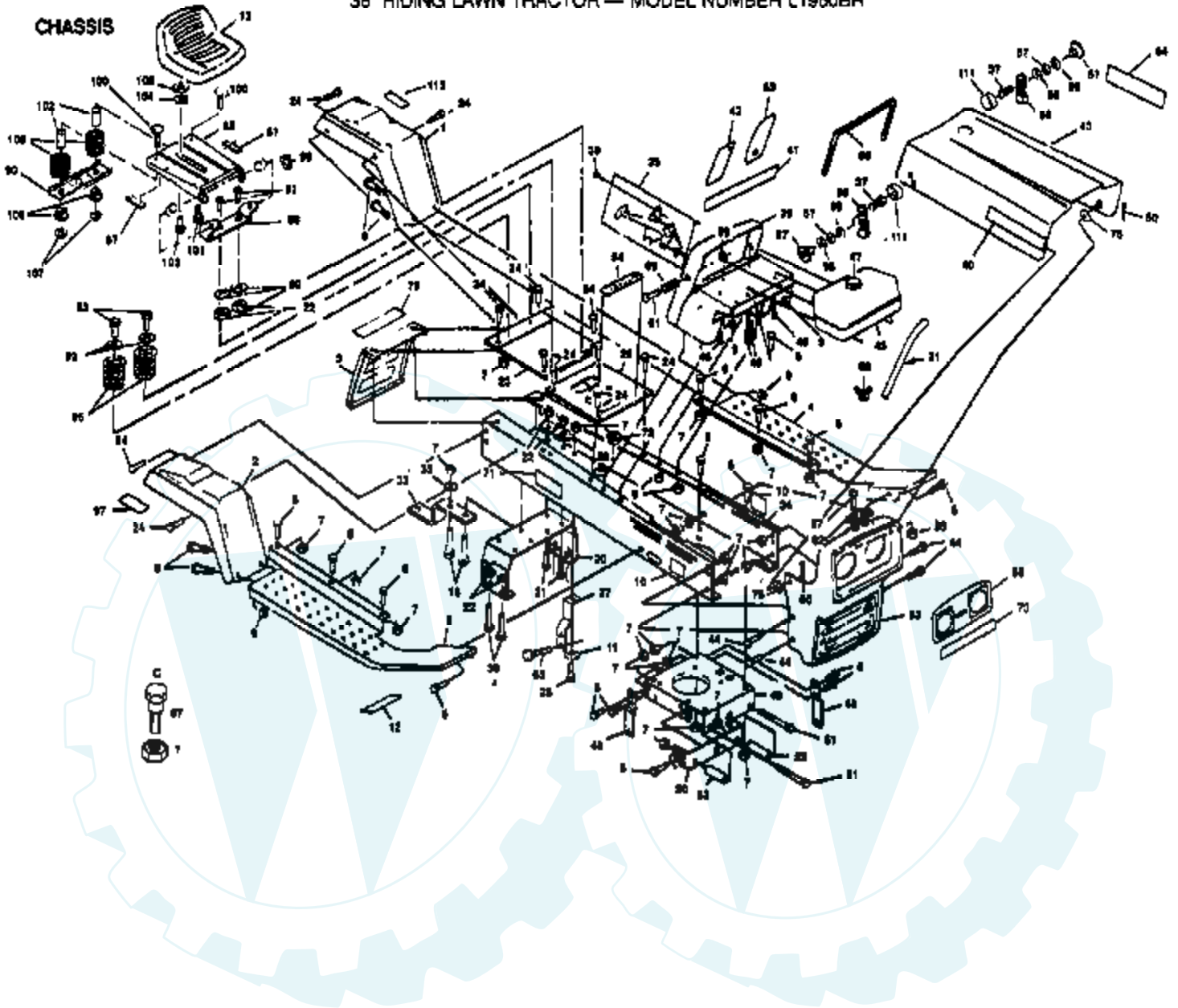


Ref #	Part Number	Qty	Description
1	74610644		"BOLT,HEX"
2	9536H		WHEEL.GAGE.STL.WH
3	101061N		PIVOT ROD LT
4	73680600		SUB= 73690600
5	1663J		ROD PLUNGER T
6	7740J		SUB= 9479R
7	71669		SPRING LT
8	667J		NLA
9	19111216		WASHER M
11	72937		QUADRANT ASSY
12	67337		PIVOT ROD SUP T
13	72140505		BOLT
14	73680500		SUB= 73690500
15	71300		ADJ ROD LT
16	71301		TRUNION T
17	76020312		SUB= 3145
18	73800600		NUT
19	1747J		GRIP LT
20	74230416		SCREW
21	19091616		WASHER
22	73680400		SUB= 73690400
23	122279X		SWAY CABLE
24	72915		PARALLEL ROD ASSY
25	71297		PARALLEL LINK T
26	74760512		BOLT
27	71616		NLA
28	76020416		PIN COTTER 1/8
28A	19151216		WASHER
28B	72140506		BOLT
29	106577X		BRAKE.ASSY.LT.
31	71525		ROD.BRAKE.BLADE.L
32	71524		ROD.BRAKE.BLADE.R
33	62828		V BELT LT
34	121676X		SUB= 121687X
35	17490612		SCREW
36	17490620		SCREW
37	100668L		SUPPORT PLATE LT
38	6897J		SUB= 677A745
39	8055J		RUNNER T
43	71276		NLA
44	71277		NLA
45	71278		CHANNEL
46	71298		NLA
47	71299		NLA
48	72240608		BOLT
49	19131407		SUB= 55611
50	120262X		SUB= 126338X
51	74610624		BOLT.3/8-24X1-1/2
52	19133808		WASHER T
53	102811X		DEFLECTOR
54	121981X		SUB= 71526
55	121980X		HINGE ROD
56	120244X		BRACKET LT
57	19111016		WASHER
58	10030600		SUB= 10040600
59	19131316		WASHER
60	7375H		BUSHING M
61	7810H		GRIPCO NUT

Ref #	Part Number	Qty	Description
62	78850		SUB= 85463
64	110452X		NUT PUSH M
65	101062K		BUSHING LT
66	19131614		WASHER
67	105304X		CAP-SLEEVE LT
68	19171616		WASHER



36" RIDING LAWN TRACTOR — MODEL NUMBER L1950BR

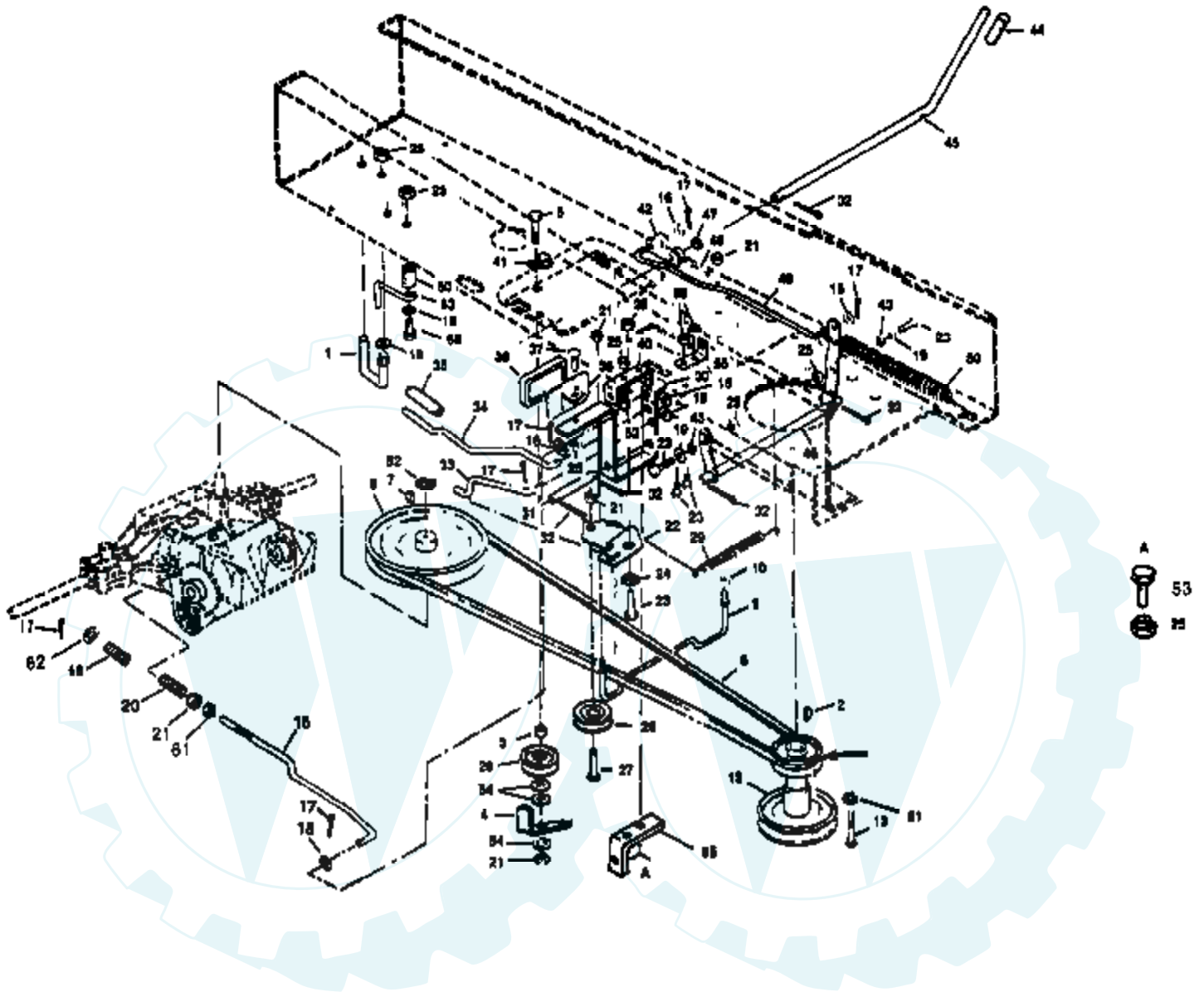


Ref #	Part Number	Qty	Description
1	388J366		FENDER
2	389J366		FENDER
3	120019X		REAR COVER T
4	1539J		SUB= 1539J363
5	1540J		SUB= 1540J363
6	74760512		BOLT
7	73680500		SUB= 73690500
8	74760508		BOLT
9	73680500		SUB= 73690500
10	109472X		DECAL
11	19112410		WASHER
12	376J		DECAL
13	110840X		SUB= 140121
18	74780520		BOLT
19	109641X		GROMMET T
20	5929J		SUPPORT LT
21	74760616		BOLT
22	73680600		SUB= 73690600
23	109470X		SUB= 122464X
24	17490508		SCREW LT
25	5927J		SUB= 677A743
26	5930J		PLATE
27	5920J		NLA
28	74760516		SUB= 77394
30	74760644		BOLT
31	7119J		SUB= 295J
32	71205		TOW HITCH
33	19122006		WASHER
34	109742X		NLA
35	7929J		SUB= 132768
36	61159		KNOB
37	74191008		SCREW
38	17080408		SCREW
39	120016X		DASH T
40	109322X		DECAL
41	655J		DECAL
42	120086X		NLA
43	104355X366		HOOD WELDMENT
44	98000131		NLA
45	73427		TANK.FUEL.LT
46	17760412		SCREW LT
47	74145		FUEL CAP
48	71190		BRAKE ROD BRA T
49	1839J		ENGINE BASE
50	71178		ROCKER BAR SUPP
51	74760544		SUB= 74780544
52	67151		ROCKER PIVOT LT
53	109734X		GRILL FRAME
54	74307		NLA
55	4632H		NUT STD
56	109808X		HOOD LATCH T
57	121251X		STRIP FORM
58	109324X		NLA
59	73731000		NUT
60	76020312		SUB= 3145
61	74981020		SCREW
62	470J		HOOD BUMPER
63	110788X		DECAL

Ref #	Part Number	Qty	Description
64	109321X		NLA
65	17490512		SCREW
66	8937R		SUB= 892J
67	2029J		WELDNUT
68	6999R		SUB= 123487X
69	7206J		SPACER LT
71	105833X		DECAL
73	104290X		DECAL LT
75	109323X		NLA
76	19111216		WASHER M
77	7192J		WIRE TIE
85	121247X		SUB= 155925
86	109474X		PLATE LT
87	105529X		SUB= 139888
88	105513X		SUB= 140551
90	121246X		BRKT SWITCH
91	17490612		SCREW
92	19131614		WASHER
93	17490616		SCREW GTV
95	121067X		SPRING T
96	120033X		SPACER T
97	109674X		NLA
99	4171R		CLIP T
100	72170410		BOLT
101	121094X		BOLT T
102	121249X		SPACER SPLIT
103	74780816		BOLT
104	10040800		LOCKWASHER
105	19171912		WASHER
106	121250X		SPRING
107	73900400		NUT T
108	121248X		BUSHING

36" RIDING LAWN TRACTOR — MODEL NUMBER L1950BR

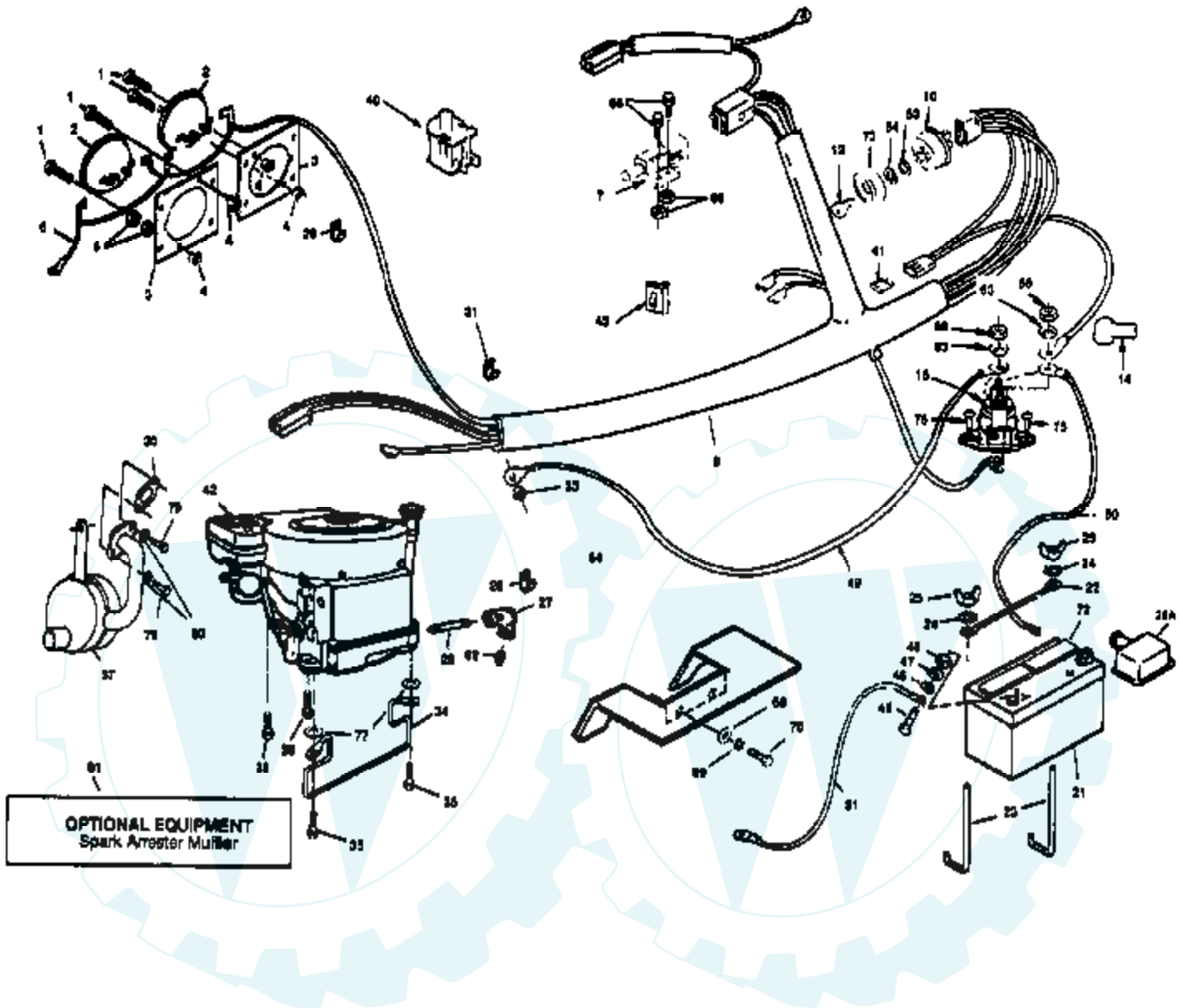
CLUTCH-BRAKE DRIVE



Ref #	Part Number	Qty	Description
1	5942J		BELT GUIDE T
3	122086X		SPACER
4	6278J		BELT KEEPER T
5	74760565		SUB= 74930624
6	5925J		PULLEY-TRANS T
7	2228M		SUB= 2228M1
8	5928J		SUB= 144200
9	71241		MID BELT GUIDE LT
10	19131416		WASHER
12	121351X		SUB= 139417
13	74770728		BOLT RER
15	122408X		BRAKE ROD
16	19131216		WASHER
17	76020312		SUB= 3145
18	19111212		WASHER
19	19111216		WASHER M
20	7505J		BRAKE SPRING T
21	73680600		SUB= 73690600
22	71201		IDLER BRACKET
23	74760512		BOLT
24	71202		BUSHING
25	73680500		SUB= 73690500
26	67400		SUB= 104679X
27	74760624		SUB= 74930624
29	2044J		IDLER SPRING
30	6048J		FOOT PEDAL LT
31	71223		NLA
32	76020416		PIN COTTER 1/8
33	74419		SUB= 7717J
34	373J		PARK BRK ROD T
35	7821J		SUB= 71226
36	71222		PEDAL PLATE LT
37	72140506		BOLT
39	67365		FOOT PAD LT
40	71199		PEDAL BRACKET T
42	73229		NLA
43	71195		NLA
44	7822J		SUB= 71246
45	71242		CLUTCH HANDLE L
46	71191		NLA
47	19171616		WASHER
48	2364J		SUB= 2882J
49	74474		BALDE ROD LT
30	71248		NLA
51	10040700		LOCKWASHER
52	12000028		SUB= 2267J
53	74780512		BOLT
54	19131210		WASHER
55	120295X		ARM BRAKE
56	73680500		SUB= 73690500
58	2876H		SPRING T
59	74760524		BOLT.HEX.5/16-1.5
60	59125		SPACER
61	73350600		NUT
62	19111016		WASHER
63	105597X		BELT RETAINER GT

ELECTRIC AND ENGINE

36" RIDING LAWN TRACTOR — MODEL NUMBER L1950BR



Ref #	Part Number	Qty	Description
1	74291016		NLA
2	6774R		SUB= 60941
3	73025		SUB= 2702J
4	4632H		NUT STD
5	73731000		NUT
6	71706		WIRE ASSY
7	109553X		SWITCH INTERLOCKT
8	74191008		SCREW
9	121405X		HARNES
10	4406R		SUB= STD365402
11	10040500		LOCKWASHER
12	7552H		SUB= STD365410
14	719J		SUB= 154336
15	109081X		SUB= 146154
17	98000134		NLA
21	121265X		SUB= 123899X
22	67187		"ROD, BATTERY"
23	70456		"BOLT, BATTERY"
24	11030400		LOCKWASHER GT
25	73490400		SUB= 146525
26	2521R		CLIP SB
26A	719J		SUB= 154336
27	13200300		ELBOW
28	5320R		INSUL CLIP T
29	13280328		PIPE NIPPLE
30	1407J		SUB= 272293
31	6794R		SUB= 2751R
33	53490		NUT
34	1795J		BELT KEEPER LT
35	17490624		SCREW LT
37	109560X		MUFFLER LT
40	121305X		SWITCH SEAT
41	108824X		FUSE HYT
42	281707		ENGINE 12 H.P. TYPE 0201-01
43	110712X		SWITCH LT
45	74760412		BOLT LT
46	19091016		WASHER
47	10040400		LOCKWASHER
48	73220400		SUB= 50675
49	2957J		"CABLE T, BATTERY"
50	4559J		SUB= 597J
51	596J		SUB= 2955J
53	19221616		WASHER T
54	109788X		SUB= 124211X
55	109787X		SUB= 147626
58	73350400		NUT
62	91084		PLUG OIL DRAIN
63	10090400		SUB= 10040400
64	109730X		SHIELD HEAT LT
65	74191008		SCREW
66	73951000		"NUT,KEPS"
68	19101216		WASHER
69	10040400		LOCKWASHER
70	74780416		NLA
71	677A822		NLA
72	121264X		"CAP,BATTERY "
73	109787X		SUB= 147626
75	74230408		"SCREW,MACHINE"

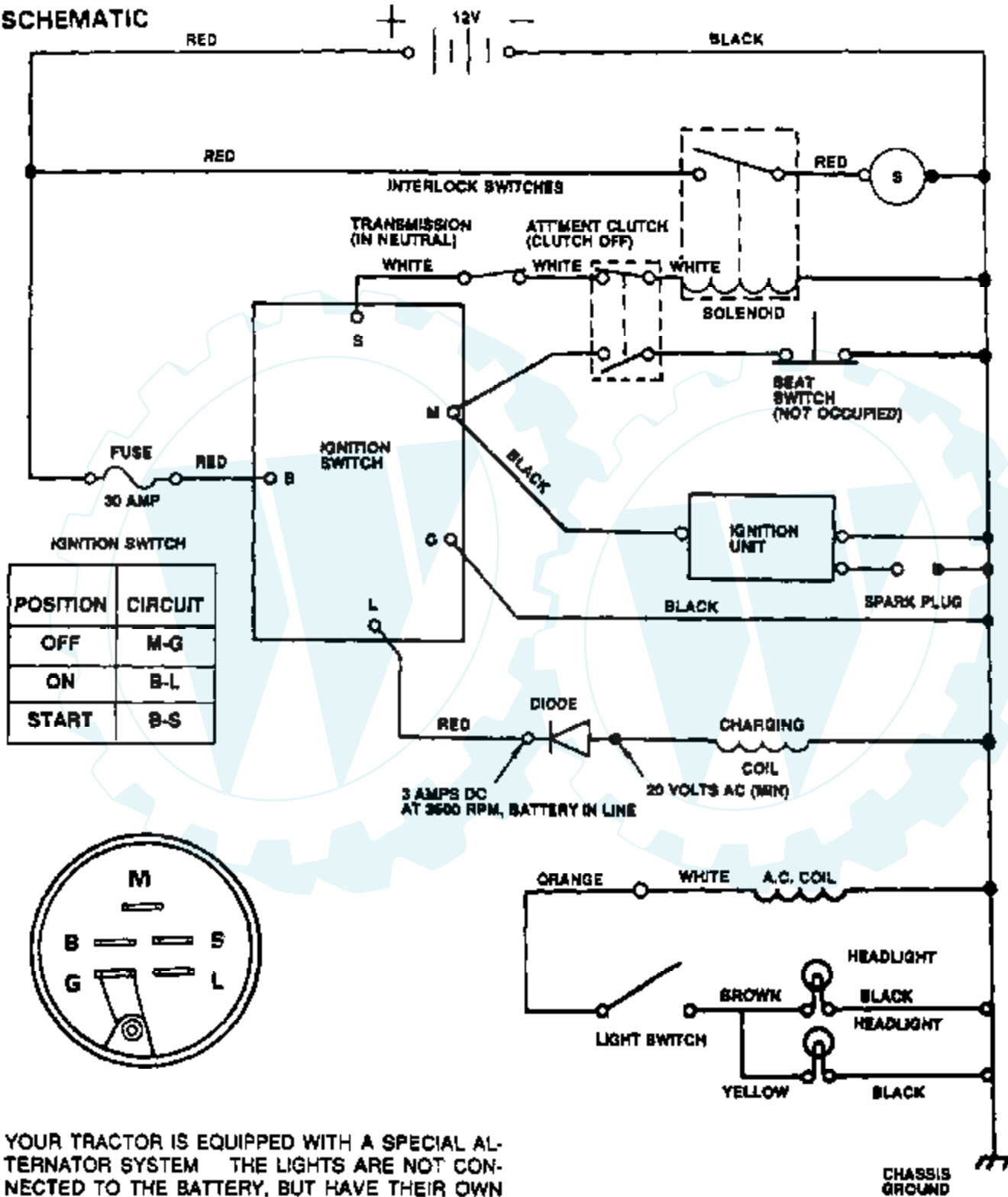
Ref #	Part Number	Qty	Description
77	19131210		WASHER
79	74760512		BOLT
80	10040500		LOCKWASHER
	121399X		NLA
	101539X		SHEET INSTR LT



SCHEMATIC DIAGRAM

36 RIDING LAWN TRACTOR — MODEL NUMBER L1950BR

SCHEMATIC

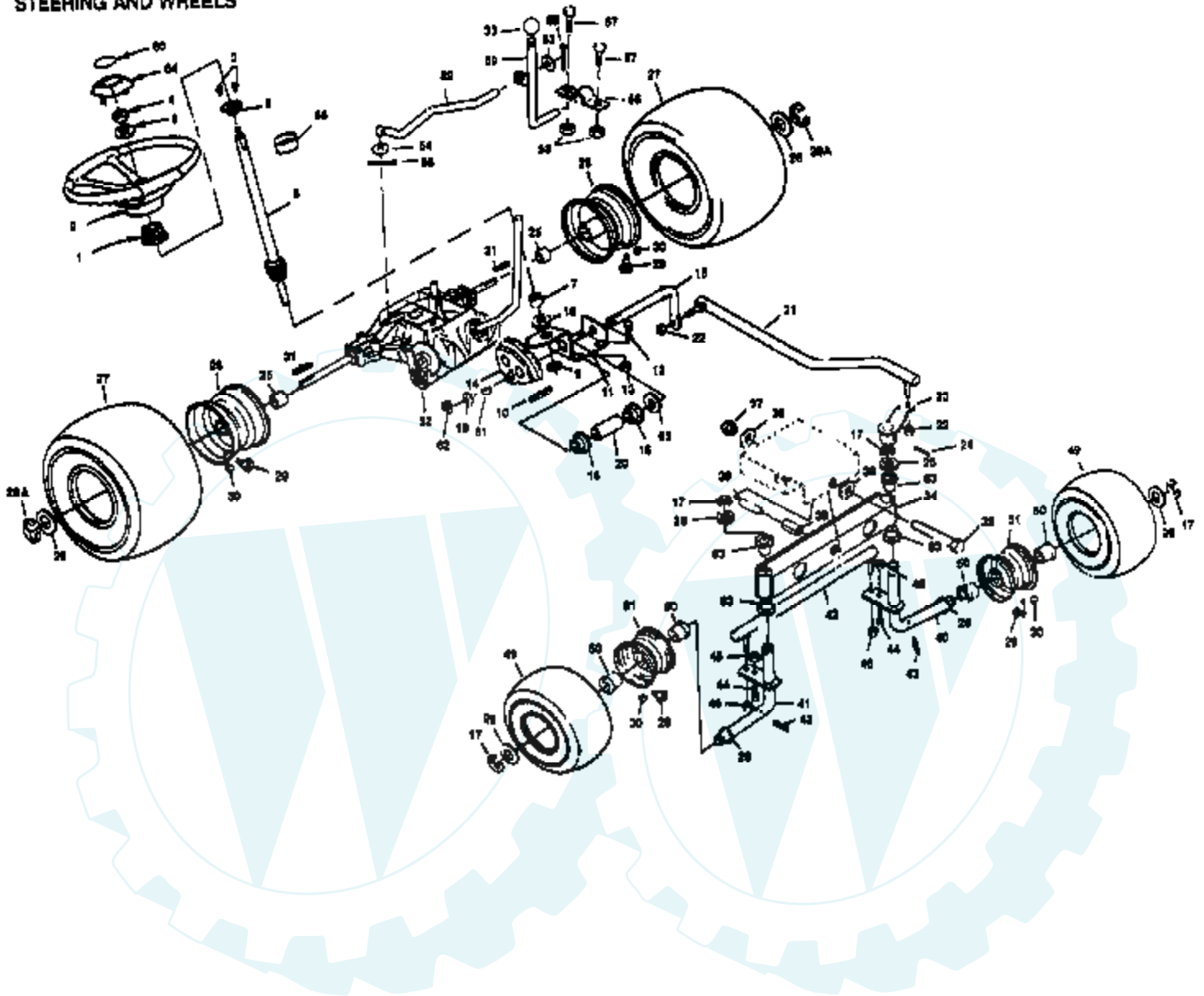


YOUR TRACTOR IS EQUIPPED WITH A SPECIAL ALTERNATOR SYSTEM. THE LIGHTS ARE NOT CONNECTED TO THE BATTERY, BUT HAVE THEIR OWN ELECTRICAL SOURCE. BECAUSE OF THIS, THE BRIGHTNESS OF THE LIGHTS WILL CHANGE WITH THE ENGINE SPEED. AT IDLE SPEED THE LIGHTS WILL DIM. AS THE ENGINE IS SPEEDED UP, THE LIGHTS WILL BECOME THEIR BRIGHTEST.

WIRING INSULATED CLIPS
If Insulated Clips and Cable Ties were removed for servicing of unit, they should be replaced to properly secure your wiring.

36" RIDING LAWN TRACTOR — MODEL NUMBER L1950BR

STEERING AND WHEELS



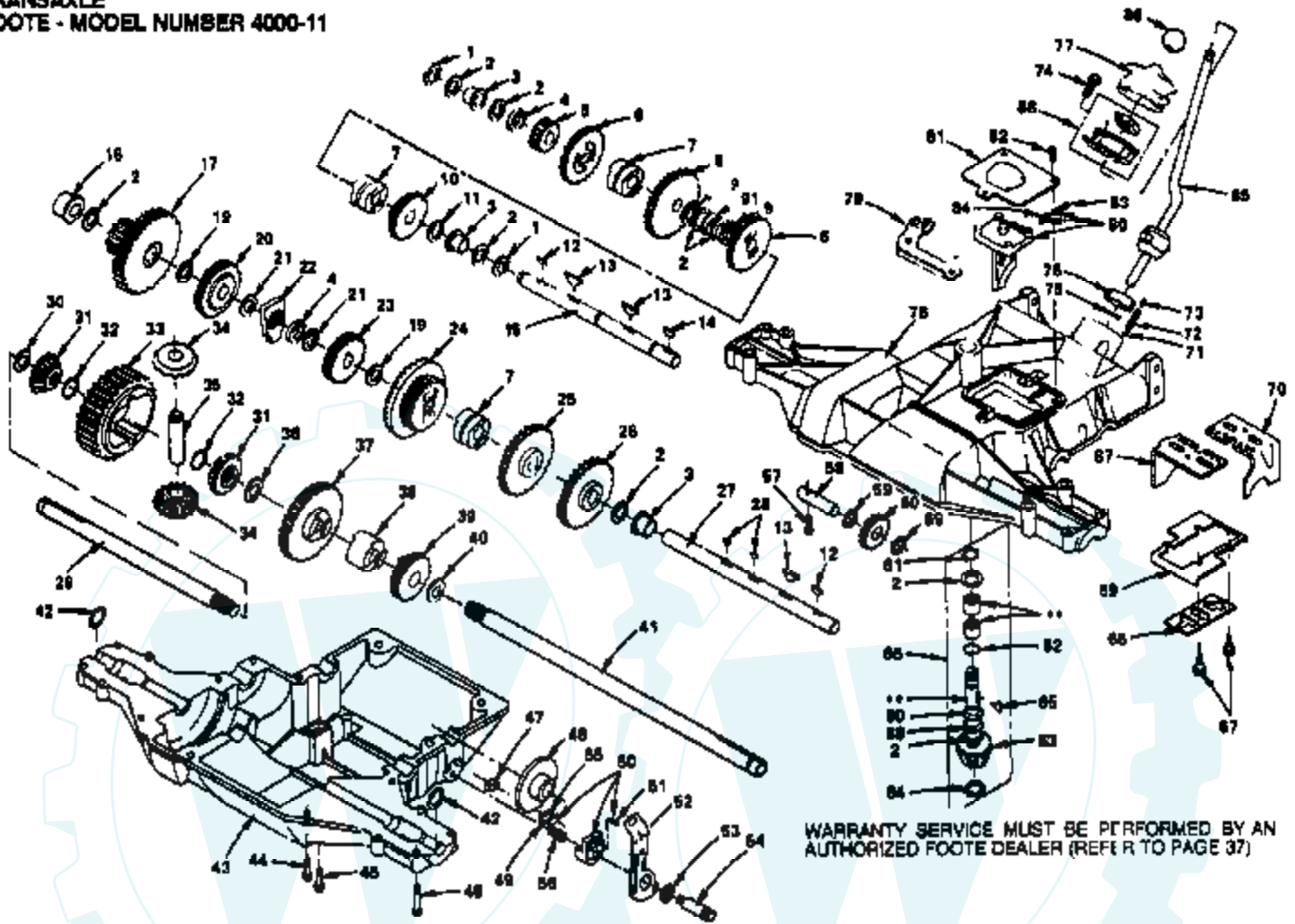
Ref #	Part Number	Qty	Description
1	100711L		ADAPTER LT
2	100713N		SUB= 150547
3	17211008		SCREW
4	73940800		SUB= 73360800
5	677A208		STEERING SHFT LT
6	1554J		SUB= 155108
7	74580		SHAFT SPACER LT
8	100712K		WASHER
9	19212013		WASHER
10	1572H		SUB= 2882J
11	120017X		STEERING BRKT T
12	74760512		BOLT
13	73680500		SUB= 73690500
14	101060M		GEAR LT
15	101429X		STEERING ROD LT
16	71208		BUSHING
17	12000040		KLIP RING
18	19211621		WASHER
20	101171K		SPACER LT
21	71219		NLA
22	7810H		GRIPCO NUT
23	71185		STEERING ARM T
24	62079		SPIROL PIN
25	2935J		WHEEL SPACER LT
26	19252016		SUB= 121749X
27	71653		SUB= 122074X
	4445H1		TUBE.4.0/4.8-8
28	71652		SUB= 106108X427
28A	12000001		E-RING LT
29	65139		VALVE STEM LT
30	59192		VALVE CAP
31	2703J		SUB= 123583X
32	4000-11		TRANSAXLE ASSY
33	7803J		SUB= 106932X
34	104532X		SUB= 108894X
35	74760848		SUB= 64606
36	19171416		WASHER
37	73680800		NUT LTV
38	67151		ROCKER PIVOT LT
39	71188		PIVOT SPACER LT
40	677A169		KINGPIN ASSY LH
41	677A168		NLA
42	73240		TIR ROD LT
43	9530R		SUB= 5142H
44	74760612		SUB= 74780612
46	73810500		NUT.LOCK.5/16-24
48	73680600		SUB= 73690600
49	71651		SUB= 122073X
	4479R		SUB= 59904
50	625J		"LT, BEARING"
51	677A98		RIM ASSY LT
52	5926J		SUB= 8712J
53	19111216		WASHER M
54	19090816		WASHER
55	76020312		SUB= 3145
56	5917J		PIVOT
57	74760408		SUB= 74230408
58	73680400		SUB= 73690400

Ref #	Part Number	Qty	Description
59	677A742		LEVER ASSY LT
60	109325X		SUB= 127075
61	2228M		SUB= 2228M1
62	12000040		KLIP RING
63	3366R		COL. SRTG. BEAR.
64	100710L		INSERT-WHEEL LT
65	19211616		WASHER LT
66	109420X		SLEEVE LT



**TRANSAXLE
FOOTE - MODEL NUMBER 4000-11**

36" RIDING LAWN TRACTOR — MODEL NUMBER L1950BR



Ref #	Part Number	Qty	Description
1	1106		RING, RETAINING
2	1145		WASHER, PLAIN .632 X 1.00 X .060
2	1358		WASHER PLAIN
2	1425		WASHER PLAIN
2	1068		WASHER PLAIN
2	1424		WASHER PLAIN
2	1082		WASHER PLAIN
2	1423		WASHER, PLAIN .632 X 1.00 X .026
2	1441		WASHER PLAIN
2	1708		WASHER
3	1101		BEARING
4	3309		SPACER
5	1174		GEAR, SPUR 13T
6	3458		GEAR, SPUR 25T
7	1574		COLLAR
8	3459		GEAR, SPUR 30T
9	3410		SPACER
10	3457		GEAR, SPUR 20T
11	1959		WASHER PLAIN
12	1369		KEY WOODRUFF #3
13	3068		KEY
14	1375		KEY, WOODRUFF, #61
15	4131		SHAFT
16	3186		BEARING
17	4036		ASSY, GEAR, SPUR 12T
19	1425		WASHER PLAIN
20	3147		GEAR, SPUR 25T
21	1423		WASHER, PLAIN .632 X 1.00 X .026
22	2794		ASSY, SUPPORT SHAFT
23	3149		GEAR, SPUR 20T
24	2792		ASSY, GEAR SPUR & BEVEL
25	3425		GEAR, SPUR 33T
26	3153		GEAR, SPUR 30T
27	3161		SHAFT
28	3311		KEY
29	3163		AXLE
30	3180		WASHER PLAIN
30	3184		WASHER, PLAIN .758 X 1.25 X .031
30	3198		WASHER PLAIN
30	3408		WASHER PLAIN
31	3155		GEAR MITER 15T
32	3395		RING
33	3154		GEAR, SPUR, 32T
34	3156		GEAR MITER 15T
35	3179		SHAFT, CROSS
36	3184		WASHER, PLAIN .758 X 1.25 X .031
37	3157		GEAR MITER 35T
38	3158		LOCK
39	3159		GEAR, SPUR 22T
40	3180		WASHER PLAIN
41	3162		AXLE
42	3191		SEAL FELT
43	3264-2		HOUSING
44	3396		SCREW 1/4-20 X .875
45	3323		SCREW
46	1360		SCREW 1/4-20 X 1.31
47	3404		PICK, FRICTION
48	1902		DISC, BRAKE

Ref #	Part Number	Qty	Description
49	3293		SPACER
50	2618		SPRING, COMPRESSION
51	1606		
52	2977		ASSY, LEVER
53	1546		WASHER, PLAIN
54	1477		BOLT, SHOULDER
55	3242		PUCK, FRICTION
56	1479		SPRING, COMPRESSION
57	3188		SCREW
58	3182		SHAFT
59	3194		WASHER, PLAIN, 1.00 X .505 X .020
60	2718		ASSY, GEAR, IDLER
61	1099		RING RETAINING
62	3312		O-RING
63	3232		PINION
64	1100		RING RETAINING
65	1374		KEY WOODRUFF #9
66	2945		ASSY, KIT INPUT SHAFT
67	3240		SCREW
68	3296		PLATE
69	3208		PLATE
70	3189		FORK
71	1037		BALL
72	1475		SPRING
73	3239		SCREW
74	3306		SCREW
75	1096		WASHER
76	1091		INSERT
77	3413		BOOT
78	3265-4		HOUSING
79	3192		LEVER
80	2960		ASSY, KIT, FORK, SHIFTER
81	3193		PLATE
82	3035		SCREW
83	3427		SPRING
84	3428		PIN
85	2975		ASSY, LEVER, SHIFT
86	3444		KNOB
87	3297		FORK
88	2968		ASSY, COMPONENT
89	1425		WASHER PLAIN
90	1068		WASHER PLAIN
91	1099		RING RETAINING