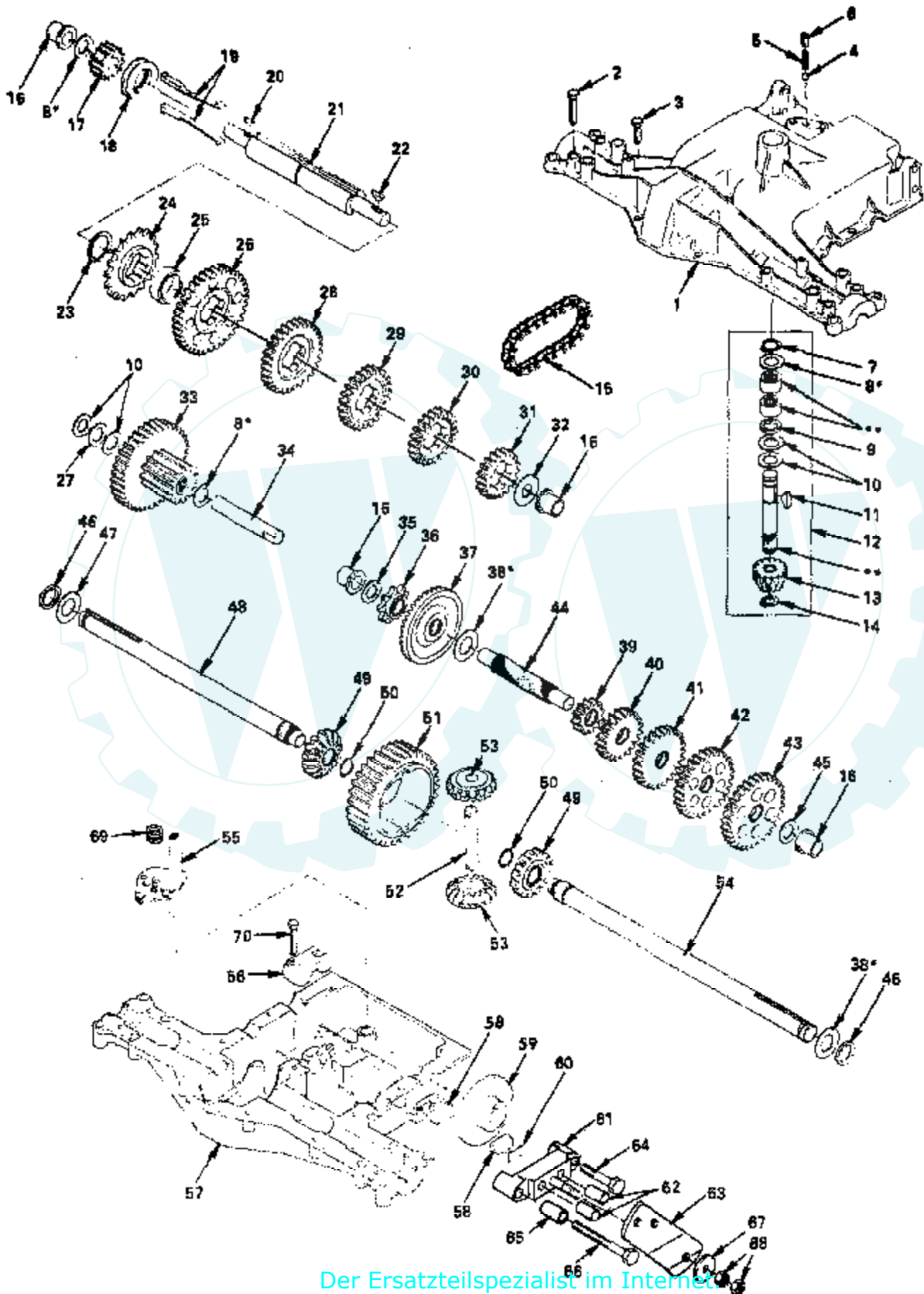
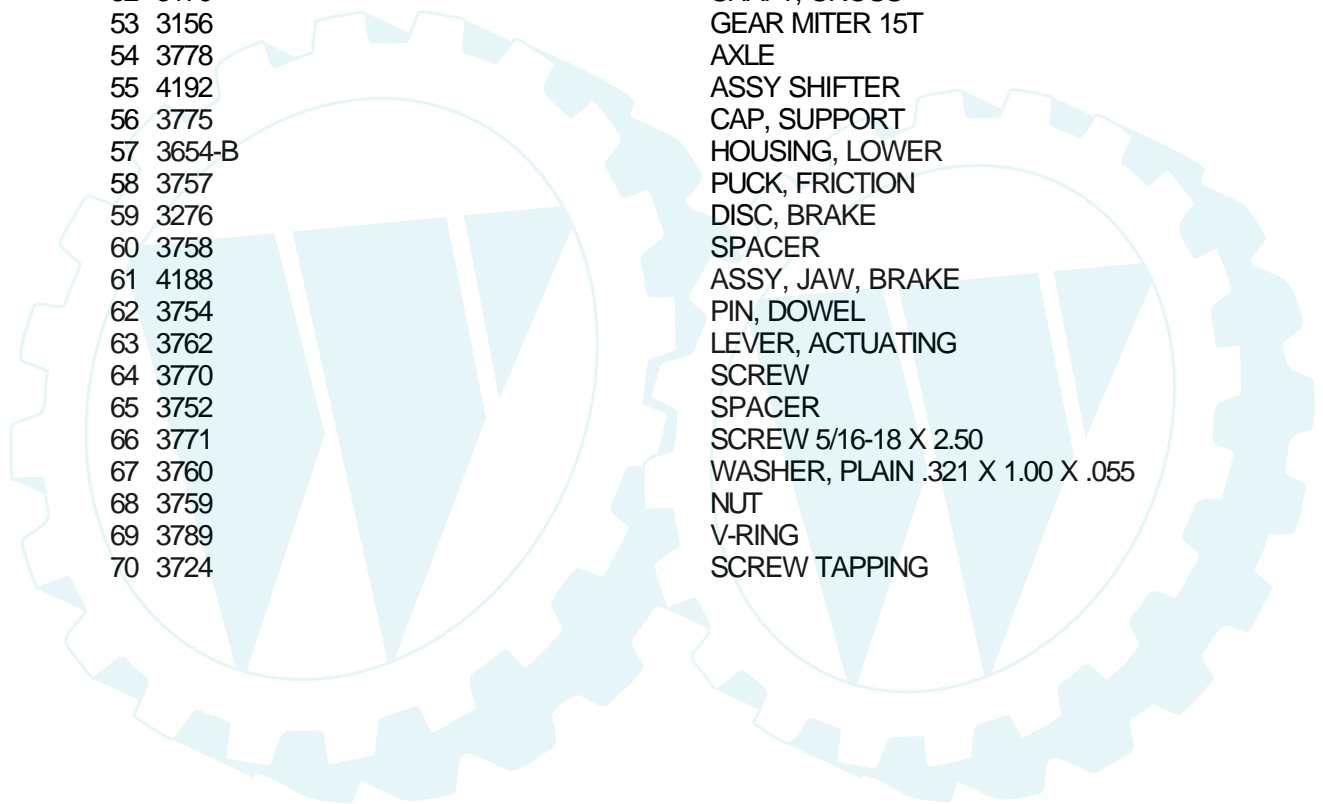


36" RIDING LAWN TRACTOR--MODEL NUMBER L0815DR



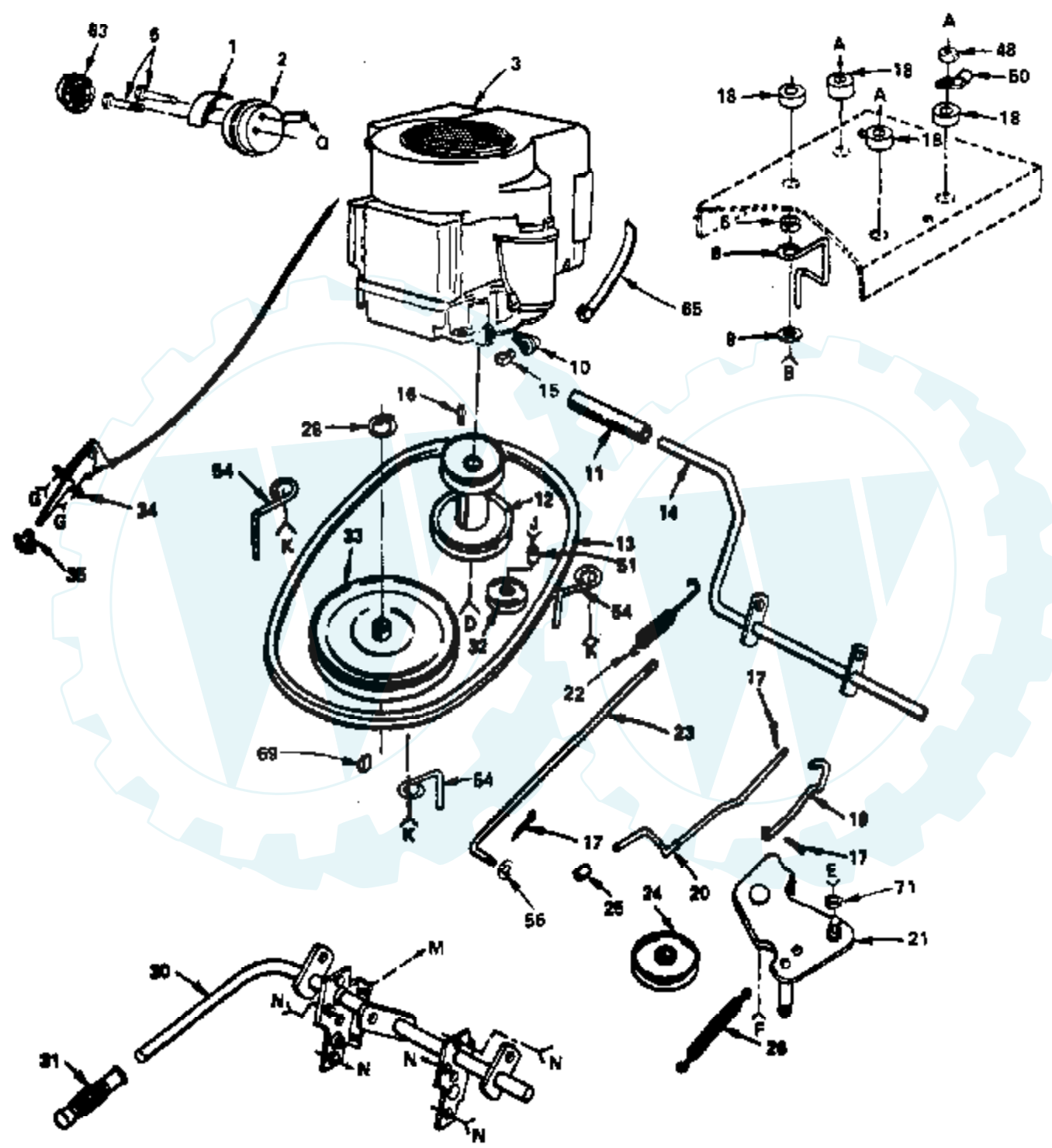
Ref #	Part Number	Qty	Description
1	3655-A		HOUSING, UPPER
2	1360		SCREW 1/4-20 X 1.31
3	3396		SCREW 1/4-20 X .875
4	1151		BALL DETENT
5	3626		SPRING, DETENT
6	3623		SCREW, SET
7	1099		RING RETAINING
8	1441		WASHER PLAIN
8A	1423		WASHER, PLAIN .632 X 1.00 X .026
8B	1082		WASHER PLAIN
8C	1424		WASHER PLAIN
8D	1068		WASHER PLAIN
8E	1425		WASHER PLAIN
8F	1358		WASHER PLAIN
8G	1145		WASHER, PLAIN .632 X 1.00 X .060
8H	1319		WASHER PLAIN
9	3312		O-RING
10	1425		WASHER PLAIN
11	1374		KEY WOODRUFF #9
12	4171		ASSY KIT INPUT SHAFT
13	3725		PINION BEVEL 14 TEETH
14	3624		RING, RETAINING
15	3625		CHAIN, 24 PITCHES
16	1542		BEARING, FLANGE
17	3773		GEAR SPUR, 14 TEETH
18	3631		COLLAR CLUTCH
19	3676		KEY, CLUTCH
20	1369		KEY WOODRUFF #3
21	3663		SHAFT, INTERMEDIATE
22	1375		KEY, WOODRUFF, #61
23	3627		RING, RETAINING
24	3640		SPROCKET, 18T
25	3710		
26	3786		GEAR, SPUR, 37 TEETH
27	3422		SPACER .630 X 1.00 X .169
28	3784		GEAR, SPUR 30T
29	3783		GEAR, SPUR, 25 TEETH
30	3782		GEAR, SPUR 22T
31	3741		GEAR SPUR
32	3628		WASHER, PLAIN .640 X 1.37 X .061
33	4193		ASSY, GEAR, COMB., 12T & 35T
34	3658		SHAFT, IDLER
35	1959		WASHER PLAIN
36	3645		SPROCKET, 9 TEETH
37	3772		GEAR, BEVEL 42T
38	3749		WASHER PLAIN
38A	3652		WASHER PLAIN
38B	3693		WASHER PLAIN
38C	3653		WASHER PLAIN
38D	3408		WASHER PLAIN
38E	3732		WASHER PLAIN
38F	3184		WASHER, PLAIN .758 X 1.25 X .031
38G	3733		WASHER PLAIN
38H	3198		WASHER PLAIN
38I	3734		WASHER PLAIN
38J	3735		WASHER PLAIN
38K	3736		WASHER PLAIN
38L	3180		WASHER PLAIN

Ref #	Part Number	Qty	Description
39	3646		GEAR, SPUR, 12 TEETH
40	3637		GEAR, SPUR 20T
41	3719		GEAR, SPUR, 25 TEETH
42	3648		GEAR, SPUR 28T
43	3683		GEAR, SPUR, 31 TEETH
44	3657		SHAFT, DRIVE
45	1145		WASHER, PLAIN .632 X 1.00 X .060
46	3191		SEAL FELT
47	3184		WASHER, PLAIN .758 X 1.25 X .031
48	3777		AXLE
49	3155		GEAR MITER 15T
50	3395		RING
51	3154		GEAR, SPUR, 32T
52	3179		SHAFT, CROSS
53	3156		GEAR MITER 15T
54	3778		AXLE
55	4192		ASSY SHIFTER
56	3775		CAP, SUPPORT
57	3654-B		HOUSING, LOWER
58	3757		PUCK, FRICTION
59	3276		DISC, BRAKE
60	3758		SPACER
61	4188		ASSY, JAW, BRAKE
62	3754		PIN, DOWEL
63	3762		LEVER, ACTUATING
64	3770		SCREW
65	3752		SPACER
66	3771		SCREW 5/16-18 X 2.50
67	3760		WASHER, PLAIN .321 X 1.00 X .055
68	3759		NUT
69	3789		V-RING
70	3724		SCREW TAPPING



36" RIDING LAWN TRACTOR--MODEL NUMBER L0815DR

CLUTCH-BRAKE AND DRIVE

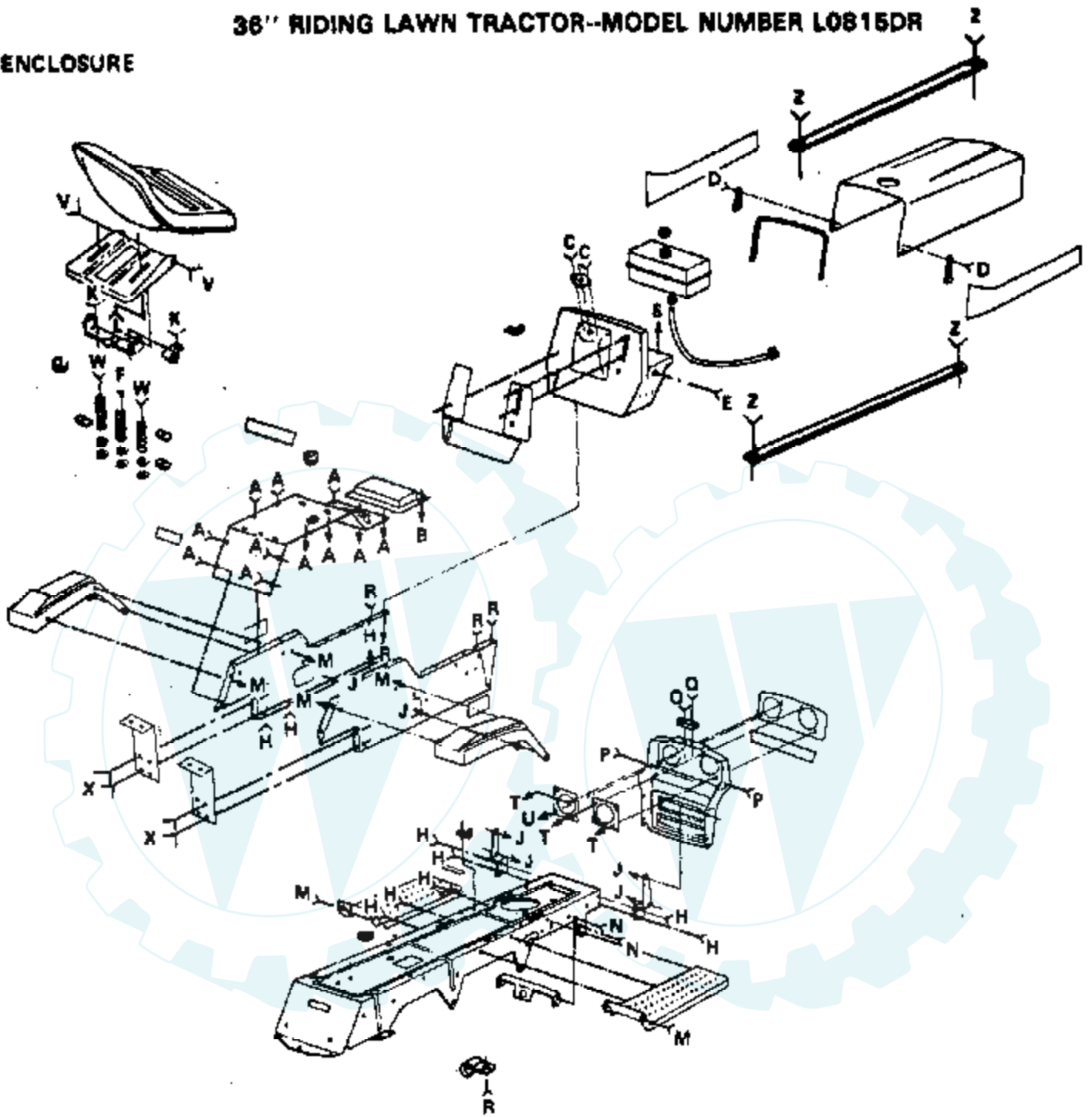


- A 64
- B 38
- D 42
- E 44
- F 44
- G 46
- J 52
- K 56
- M 80
- N 62
- O 36
- 1 63
- 2 63
- 3 63
- 4 63
- 5 63
- 6 63
- 7 63
- 8 63
- 9 63
- 10 63
- 11 63
- 12 63
- 13 63
- 14 63
- 15 63
- 16 63
- 17 63
- 18 63
- 19 63
- 20 63
- 21 63
- 22 63
- 23 63
- 24 63
- 25 63
- 26 63
- 27 63
- 28 63
- 29 63
- 30 63
- 31 63
- 32 63
- 33 63
- 34 63
- 35 63
- 36 63
- 37 63
- 38 63
- 39 63
- 40 63
- 41 63
- 42 63
- 43 63
- 44 63
- 45 63
- 46 63
- 47 63
- 48 63
- 49 63
- 50 63
- 51 63
- 52 63
- 53 63
- 54 63
- 55 63
- 56 63
- 57 63
- 58 63
- 59 63
- 60 63
- 61 63
- 62 63
- 63 63
- 64 63
- 65 63
- 66 63
- 67 63
- 68 63
- 69 63
- 70 63
- 71 63
- 72 63
- 73 63
- 74 63
- 75 63
- 76 63
- 77 63
- 78 63
- 79 63
- 80 63
- 81 63
- 82 63
- 83 63

Ref #	Part Number	Qty	Description
1	101159L		SHIELD HEAT LTV
2	101273M		MUFFLER LTV
3	252707		ENGINE-B&S
5	74780552		BOLT
6	101201K		SPACER LT
8	1666J		BELT SNUBBER T
9	19131316		WASHER
10	13240300		STREET ELBOW LT
11	8883R		PEDAL COVER T
12	7731J		SUB= 144671
13	1629J		V-BELT.83.0
14	100506M		FT PEDAL SHAFT LT
15	91084		PLUG OIL DRAIN
16	9396E		SQ KEY STD
17	76020312		SUB= 3145
18	101200K		SPACER LT
19	1636J		CLUTCH ROD LT
20	104142X		BRAKE ROD LT
21	109655X		IDLER BRKT T
22	1635J		BRAKE SPRING T
23	109194X		BRAKE ROD T
24	67400		SUB= 104679X
25	7733J		SUB= 71673
26	100123L		SPRING LT
27	73680500		SUB= 73690500
28	12000028		SUB= 2267J
30	102794X		SHAFT ASSY LT
31	7735J		HANDLE GRIP
32	105307X		IDLER.PULLEY.LT
33	1631J		PULLEY.TRANSAXLE
34	7929J		SUB= 132768
35	61159		KNOB
36	74780408		BOLT
38	17490640		SCREW
39	10040400		LOCKWASHER
42	74770724		BOLT
43	10040700		LOCKWASHER
44	19152405		WASHER LT
46	19112410		WASHER
48	73680600		SUB= 73690600
49	17720408		SCREW
50	2751R		CLIP T
51	4470J		SPACER T
52	74760636		BOLT
54	1642J		BELT SNUBBER T
55	74760516		SUB= 77394
56	19111216		WASHER M
58	73930600		LOCKNUT
60	74760512		BOLT
61	19111214		WASHER
62	17490610		SCREW LT
63	673A223		SCREEN
64	17490632		SCREW LT
65	7192J		WIRE TIE
69	2228M		SUB= 2228M1
70	1685H		SUB= 68478
71	109657X		SPACER T

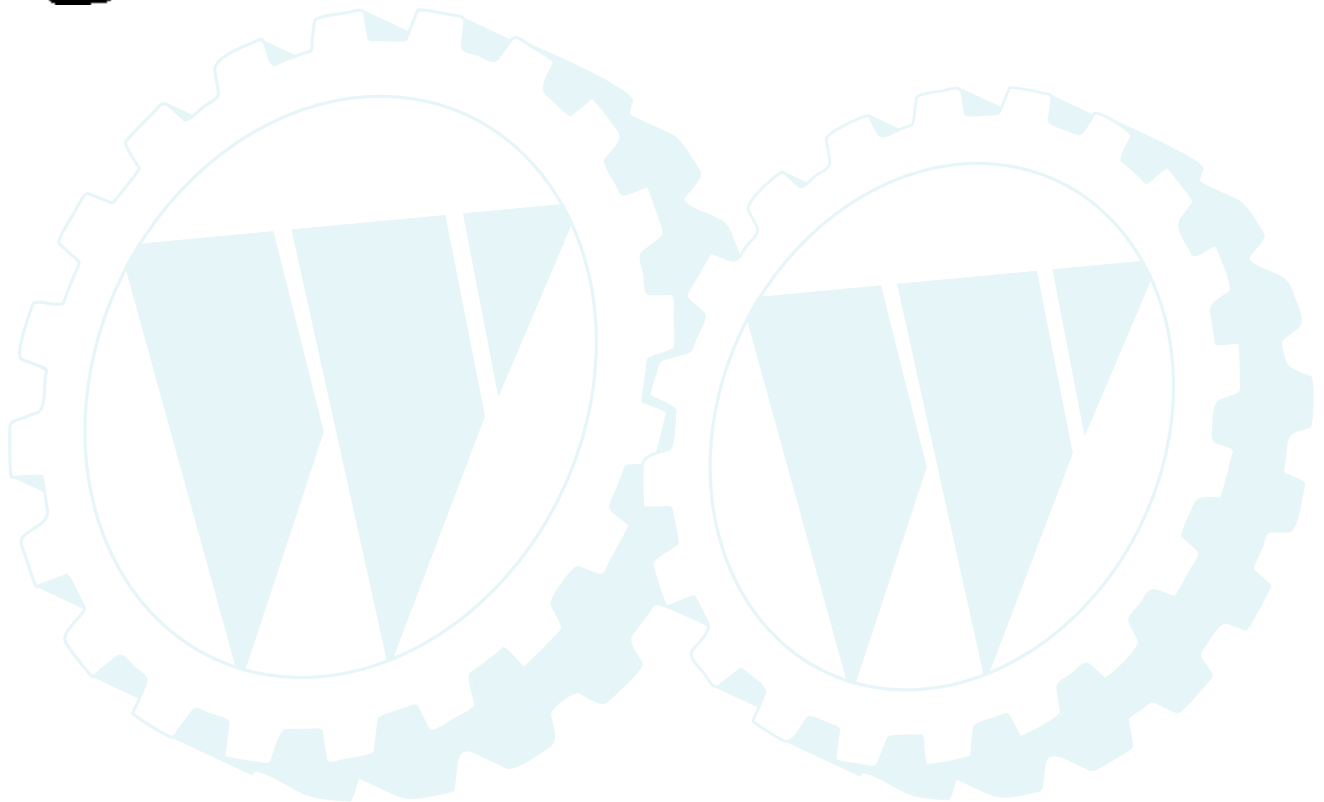
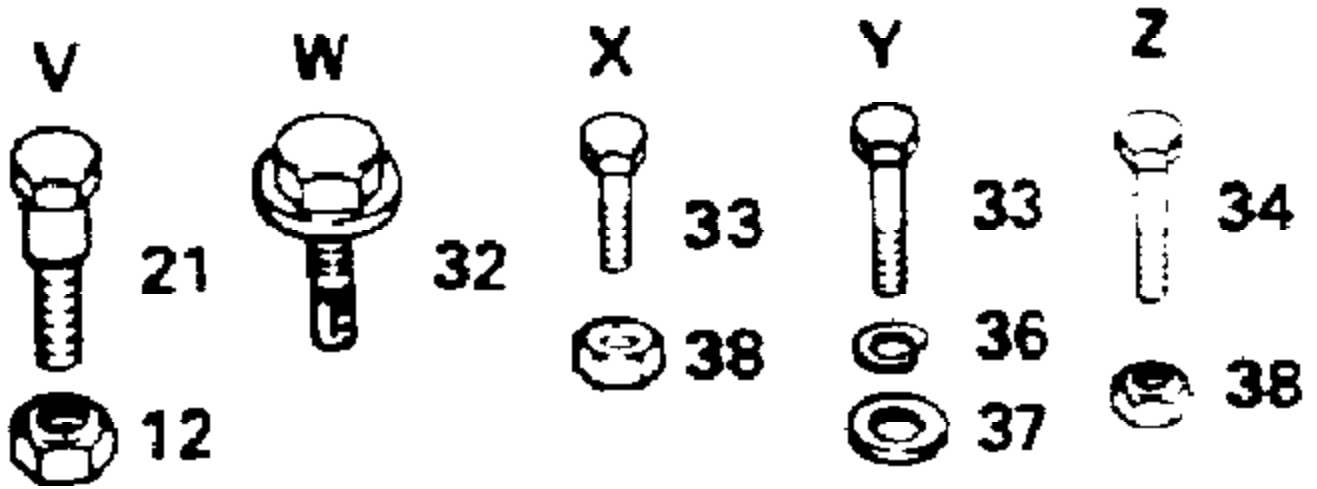
36" RIDING LAWN TRACTOR--MODEL NUMBER L0815DR

ENCLOSURE



- | | | | | | | | | | | | | | | | | | |
|----------|----------|----------|----------|----------|----------|----------|----------|----------|----------|----------|----------|----------|----------|----------|----------|----------|----------|
| A | B | C | D | E | F | H | J | K | L | M | N | P | Q | R | S | T | U |
| 1 | 29 | 4 | 5 | 8 | 39 | 16 | 17 | 24 | 24 | 17 | 24 | 18 | 5 | 17 | 2 | 28 | 28 |
| | 30 | | 6 | | 20 | | 18 | 19 | | 12 | 20 | 25 | 26 | 27 | | 26 | 10 |
| | 31 | | 7 | 9 | | | 12 | 20 | 22 | | | | | | | 10 | 10 |
| | | | | 10 | | | | 20 | 23 | | | | | | | 26 | |

Ref #	Part Number	Qty	Description
1	110058X		SUB= 110057X
2	481J		DECAL
3	100770L		NLA
4	482J		DECAL
5	2521R		CLIP SB
6	109732X		SUB= 110381X
7	102803X		SUB= 918102803X
8	73427		TANK.FUEL.LT
9	74145		FUEL CAP
10	109321X		NLA
11	100225L		SUB= 109808X
12	105901X366		NLA
13	109322X		DECAL
14	8937R		SUB= 892J
15	6999R		SUB= 123487X
16	3807R		BUSHING
18	105712X		"PANEL LT, BATTE "
19	109659X		PANEL TOP T
20	104150X366		NLA
21	105788X		NLA
22	104819X		PANEL-SIDE LH LT
23	104694X		PANEL-SIDE RH LT
24	104149X366		NLA
25	109734X366		NLA
26	470J		HOOD BUMPER
27	109324X		NLA
28	104290X		DECAL LT
29	73025		SUB= 2702J
30	104140X		BRACKET-SUPP LT
31	104663X		NLA
32	109653X		CHANNEL ASSY
36	109871X		BRKT.ASM.SEAT.P
37	104662X		FOOT REST
38	109323X		NLA
39	376J		DECAL
40	100207K		CLIP GTV
41	104141X		BRACKET-SUPP LT
43	8548R		FUEL LINE T
44	1626J		AXLE SUPPORT T
45	2751R		CLIP T
46	106974X		SUB= 133796
47	109866X		SEAT PAN T
48	105512X		SPRING LT
49	105514X		"CLAMP, SPRING LT"
50	19132012		WASHER
51	109660X		SUPPORT T
52	109686X		SUB= 109869X
53	109867X		SPRING T
54	109724X		BRACE
55	109412X		CAP T
56	109641X		GROMMET T

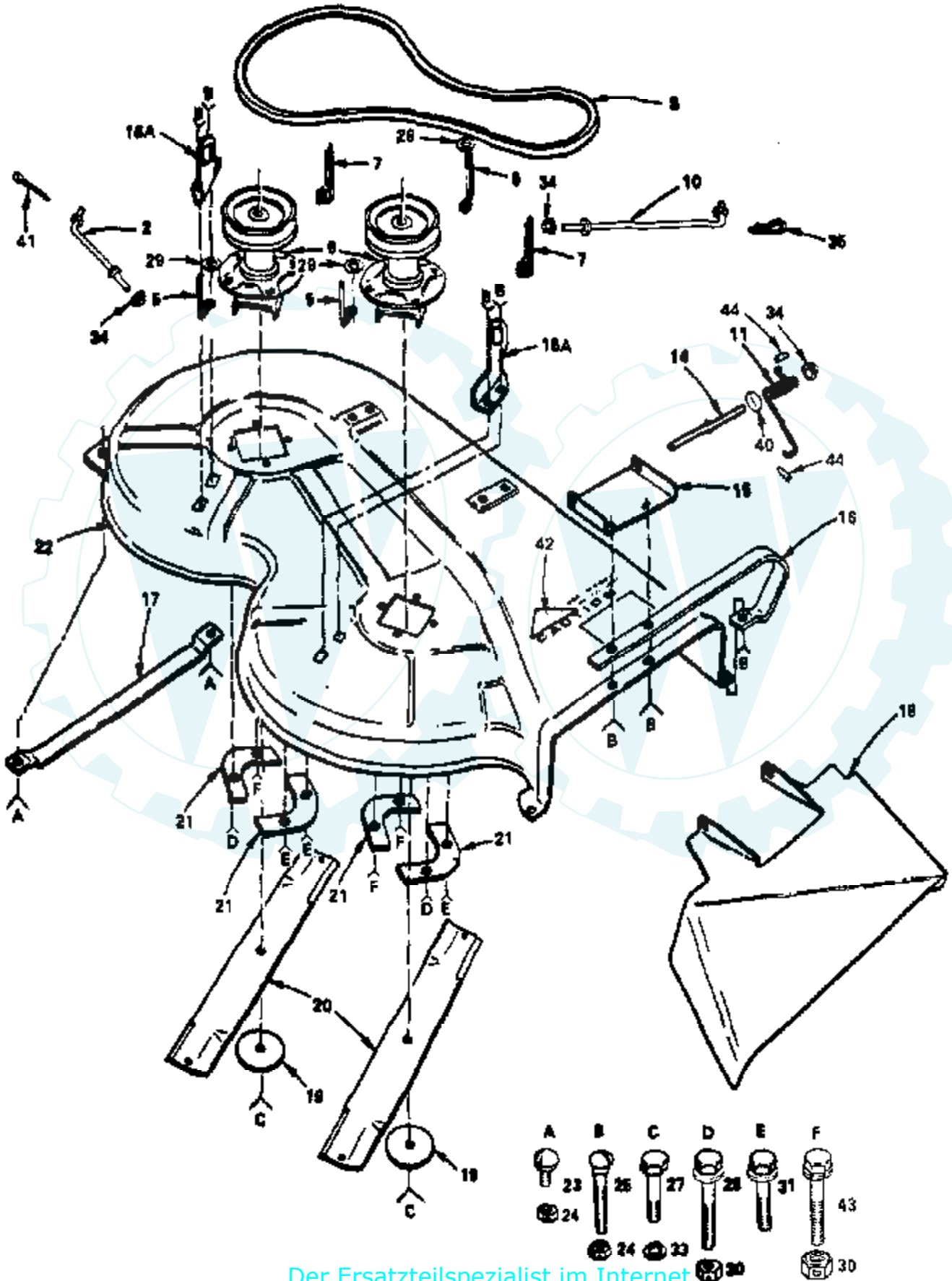


Ref #	Part Number	Qty	Description
12	73680500		SUB= 73690500
21	105529X		SUB= 139888
32	17490616		SCREW GTV
33	74760412		BOLT LT
34	74760408		SUB= 74230408
36	10040400		LOCKWASHER
37	19091116		WASHER T
38	73680400		SUB= 73690400



36" RIDING LAWN TRACTOR--MODEL NUMBER L0815DR

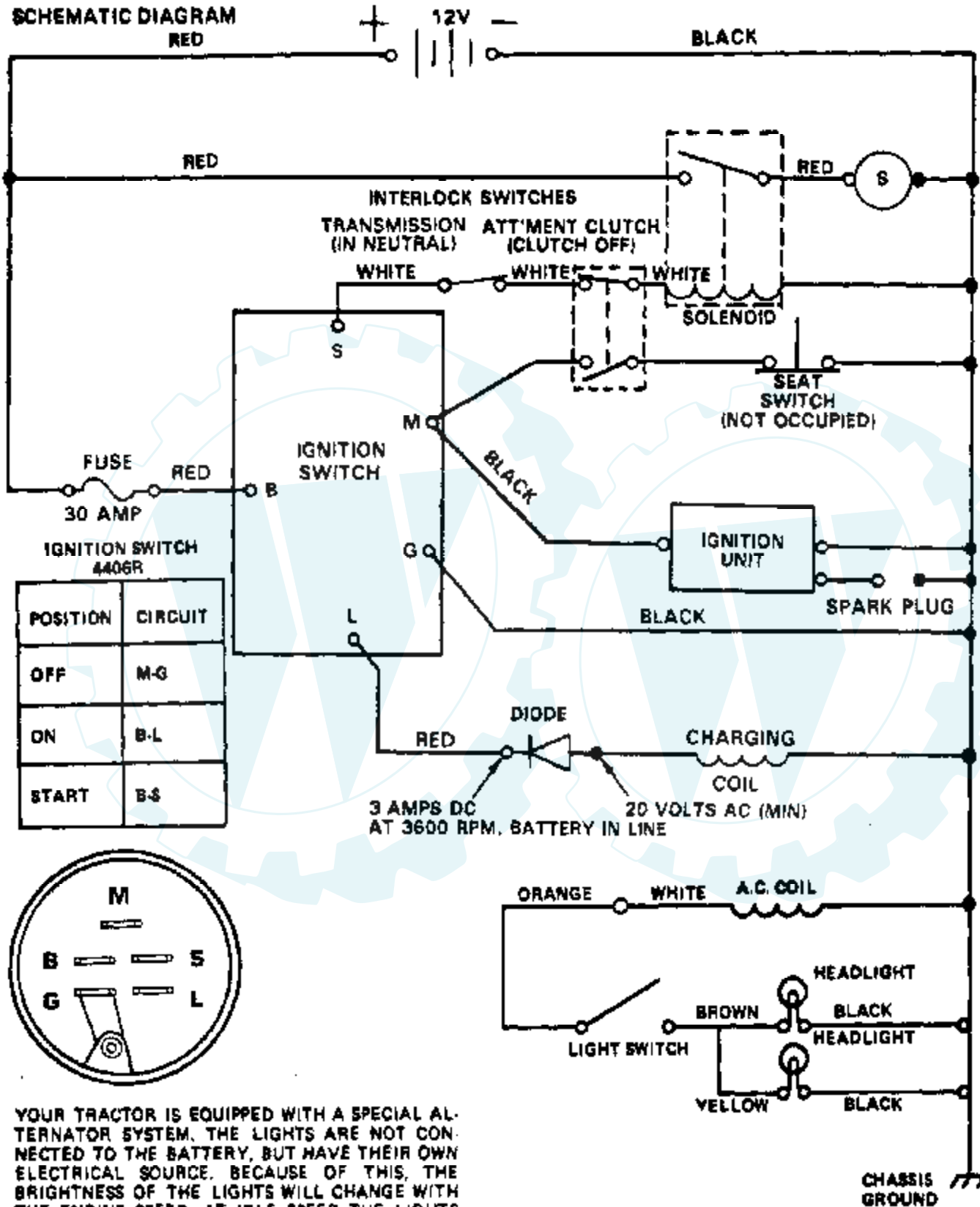
MOWER



Ref #	Part Number	Qty	Description
2	100516L		BRAKE ROD LT
5	535J		BELT SNUBBER T
6	101479X		SUB= 101477X
7	106577X		BRAKE.ASSY.LT.
8	106412X		SUB= TH4H690
9	1763J		BELT SNUBBER T
10	100517L		BRAKE ROD LT
11	71526		SPRING LT
14	100569K		HINGE ROD LT
15	71528		SUB= 120244X
16	8055J		RUNNER T
16A	4487J		BRACKET.LIFT
17	4496J		SKID LH T
18	100544N		SUB= 102811X
19	19133808		WASHER T
20	105210X		SUB= 25645
21	100668L		SUPPORT PLATE LT
22	4495J		SUB= 121150X
23	72140505		BOLT
24	73680500		SUB= 73690500
25	72140506		BOLT
27	74610624		BOLT.3/8-24X1-1/2
28	17490620		SCREW
29	19131312		WASHER
30	73680600		SUB= 73690600
31	17490612		SCREW
33	10040600		LOCKWASHER
34	5846R		SUB= 110452X
35	4921H		SPRING.RETAINER
40	19111416		WASHER
41	76020412		COTTER PIN
42	78850		SUB= 85463
43	17490624		SCREW LT
44	105304X		CAP-SLEEVE LT

Ref #	Part Number	Qty	Description
1	4488J		SHOULDER BOLT T
2	677A110		ARM ASSY T
3	100526M		SLIDE BRKT T
7	512J		LIFT LINK ADJ T
8	1658J		LIFT LINK LT
9	100525M		SLIDE BRKT T
10	677A109		NLA
11	7740J		SUB= 9479R
12	1663J		ROD PLUNGER T
13	19151216		WASHER
14	71669		SPRING LT
15	1747J		GRIP LT
16	76020512		PIN - COTTER
17	102796X		SUB= 106404X
18	74760576		NLA
19	1850J		INNER SLEEVE T
20	74780648		BOLT LT
21	677A117		BRACKET
22	105313X		PULLEY LT
23	19131216		WASHER
24	73680600		SUB= 73690600
25	19101216		WASHER
26	73680500		SUB= 73690500
27	677A498		LIFT SHAFT ASST T
27A	106161X		SPRING
28	667J		NLA
31	677A497		LIFT ARM ASSY T
32	536J		ADJ BRACKET L T
33	100530K		ROD ADJ T
34	102797X		ARM-ADJ LT
36	19111010		WASHER LT
39	7810H		GRIPCO NUT
40	74760412		BOLT LT
41	10040400		LOCKWASHER
42	19092016		WASHER
43	19111216		WASHER M
45	12000007		E-RING LT
46	72140506		BOLT
48	73680800		NUT LTV
49	72140508		BOLT
50	101496X		SPACER LT
51	19131316		WASHER
53	106317X		SNUBBER-BELT
54	72110506		SUB= 72270506

36" RIDING LAWN TRACTOR--MODEL NUMBER L0815DR



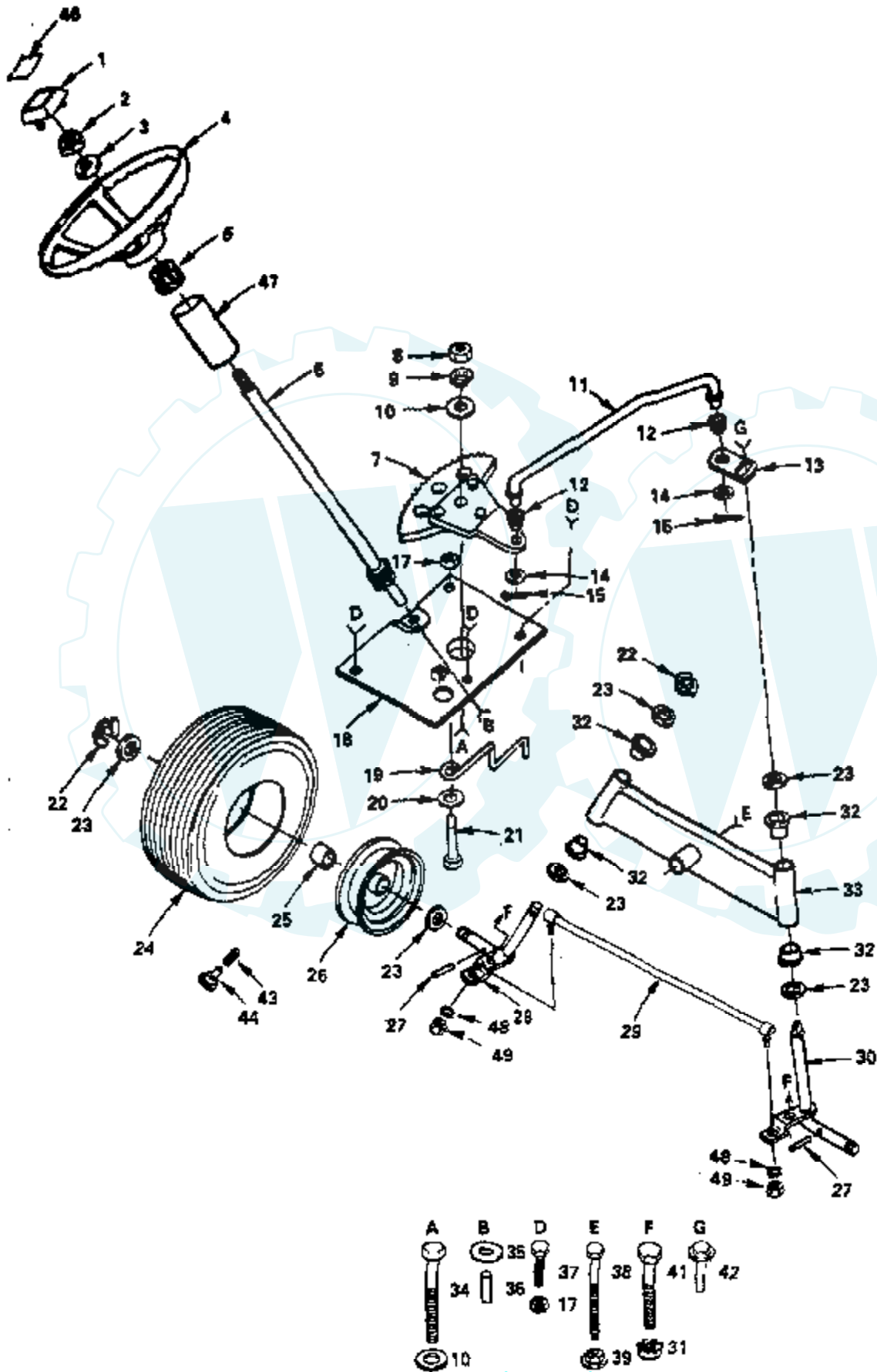
YOUR TRACTOR IS EQUIPPED WITH A SPECIAL ALTERNATOR SYSTEM. THE LIGHTS ARE NOT CONNECTED TO THE BATTERY, BUT HAVE THEIR OWN ELECTRICAL SOURCE. BECAUSE OF THIS, THE BRIGHTNESS OF THE LIGHTS WILL CHANGE WITH THE ENGINE SPEED. AT IDLE SPEED THE LIGHTS WILL DIM. AS THE ENGINE IS SPEEDED UP, THE LIGHTS WILL BECOME THEIR BRIGHTEST.

WIRING INSULATED CLIPS

If Insulated Clips and Cable Ties were removed for servicing of unit, they should be replaced to properly secure your wiring.

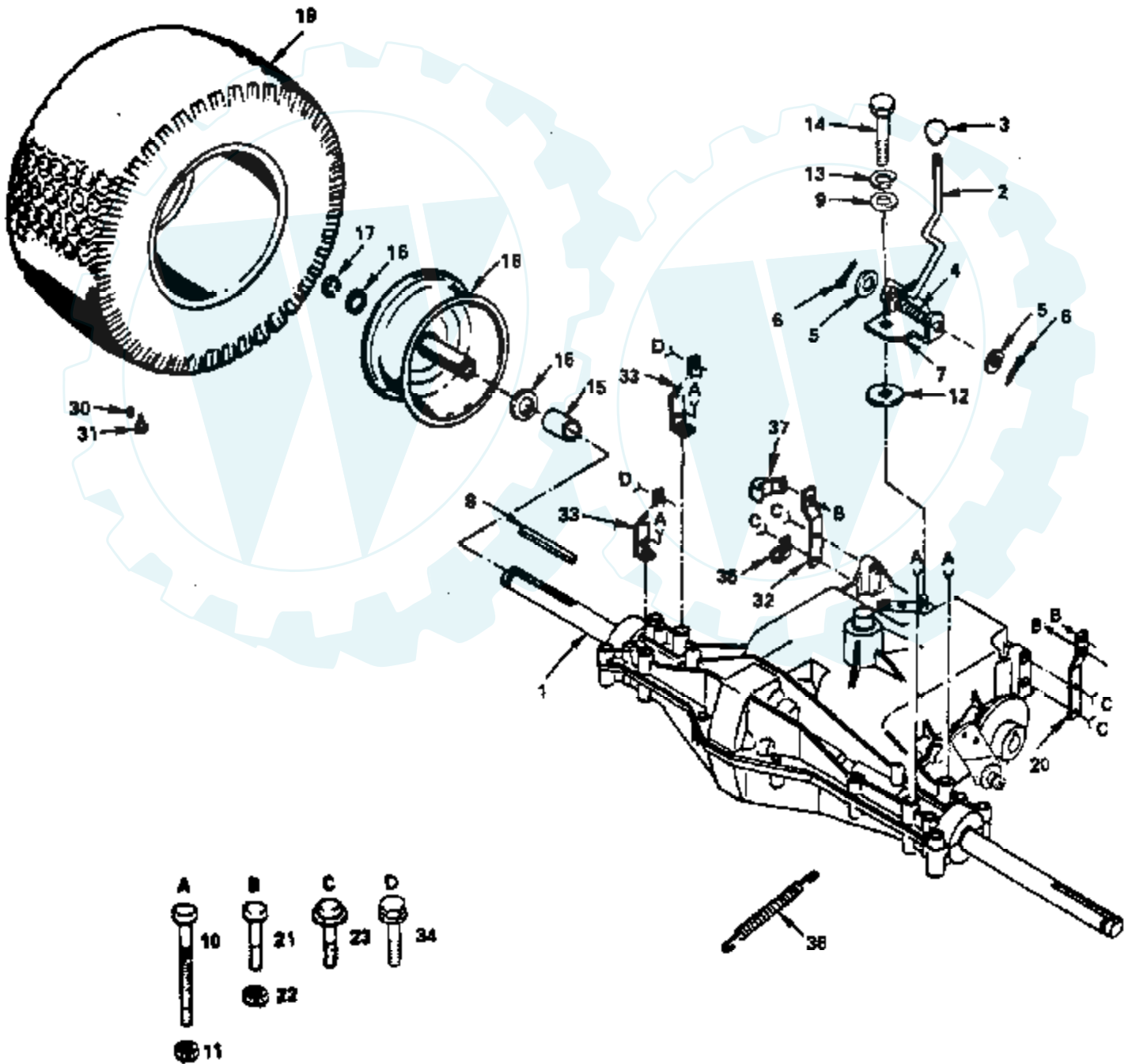
36" RIDING LAWN TRACTOR--MODEL NUMBER L0815DR

STEERING AND FRONT AXLE



Ref #	Part Number	Qty	Description
1	100710L		INSERT-WHEEL LT
2	73360600		NUT
3	19133808		WASHER T
4	100713N		SUB= 150547
5	104820X		ADAPTER-WHEEL LT
6	102804X		STEERING ASSM T
7	102787X		STRG SECTOR LT
8	73220800		NUT
9	10040800		LOCKWASHER
10	19172414		WASHER LT
11	102790X		DRAG LINK LT
12	102792X		SUB= 126847X
13	102830X		STEERING ARM LT
14	19131414		WASHER
15	76020416		PIN COTTER 1/8
17	73680500		SUB= 73690500
18	102786X		SUPPORT SECTOR LT
19	7320J		BELT GUIDE LT
20	19131407		SUB= 55611
21	74760516		SUB= 77394
22	12000029		RING
23	19252016		SUB= 121749X
24	71651		SUB= 122073X
	4479R		SUB= 59904
25	9040H		"FLANGE, BEARING"
26	677A98		RIM ASSY LT
27	9530R		SUB= 5142H
28	109736X		NLA
29	1637J		TIE ROD LT
30	109735X		SPINDLE RH T
31	73510600		NUT
32	3366R		COL. SRTG. BEAR.
33	104535X		FRONT AXLE LT
34	105005X		BOLT LT
35	19171216		WASHER
36	7877M		ROLL PIN
37	74760512		BOLT
38	74761088		BOLT
39	98000144		NUT
40	73351000		NLA
41	74930624		BOLT
42	71020512		NLA
43	59192		VALVE CAP
44	65139		VALVE STEM LT
46	109325X		SUB= 127075
47	109429X		NLA
48	10040500		LOCKWASHER
49	73610500		NUT

36" RIDING LAWN TRACTOR-MODEL NUMBER L0815DR TRANSAXLE AND REAR WHEEL



Ref #	Part Number	Qty	Description
1	4150-19		TRANSAXLE ASSY
2	105783X		ROD SHIFTER L T
3	106279X		CONTROL KNOB LT
4	105700X		SPRING LT
5	19151216		WASHER
6	76020416		PIN COTTER 1/8
7	106632X		SHIFT PLATE LT
8	2703J		SUB= 123583X
9	19091210		WASHER LT
10	74760644		BOLT
11	73680600		SUB= 73690600
12	105701X		WASH-SHFT PLT LT
13	10040400		LOCKWASHER
14	71040412		SUB= 74550412
15	105702X		"SPACER, SPLIT LT"
16	19252016		SUB= 121749X
17	12000001		E-RING LT
18	71652		SUB= 106108X427
19	71653		SUB= 122074X
	7152J		TUBE.18X9.5-8
20	105713X		TORQUE STRAP LT
21	74760512		BOLT
22	73680500		SUB= 73690500
23	17490512		SCREW
30	59192		VALVE CAP
31	65139		VALVE STEM LT
32	105714X		TORQUE STRP LH LT
33	102782X		STRAP-CHASSIS LT
34	17490508		SCREW LT
35	100207K		CLIP GTV
36	58606		IDLER SPRING
37	2521R		CLIP SB