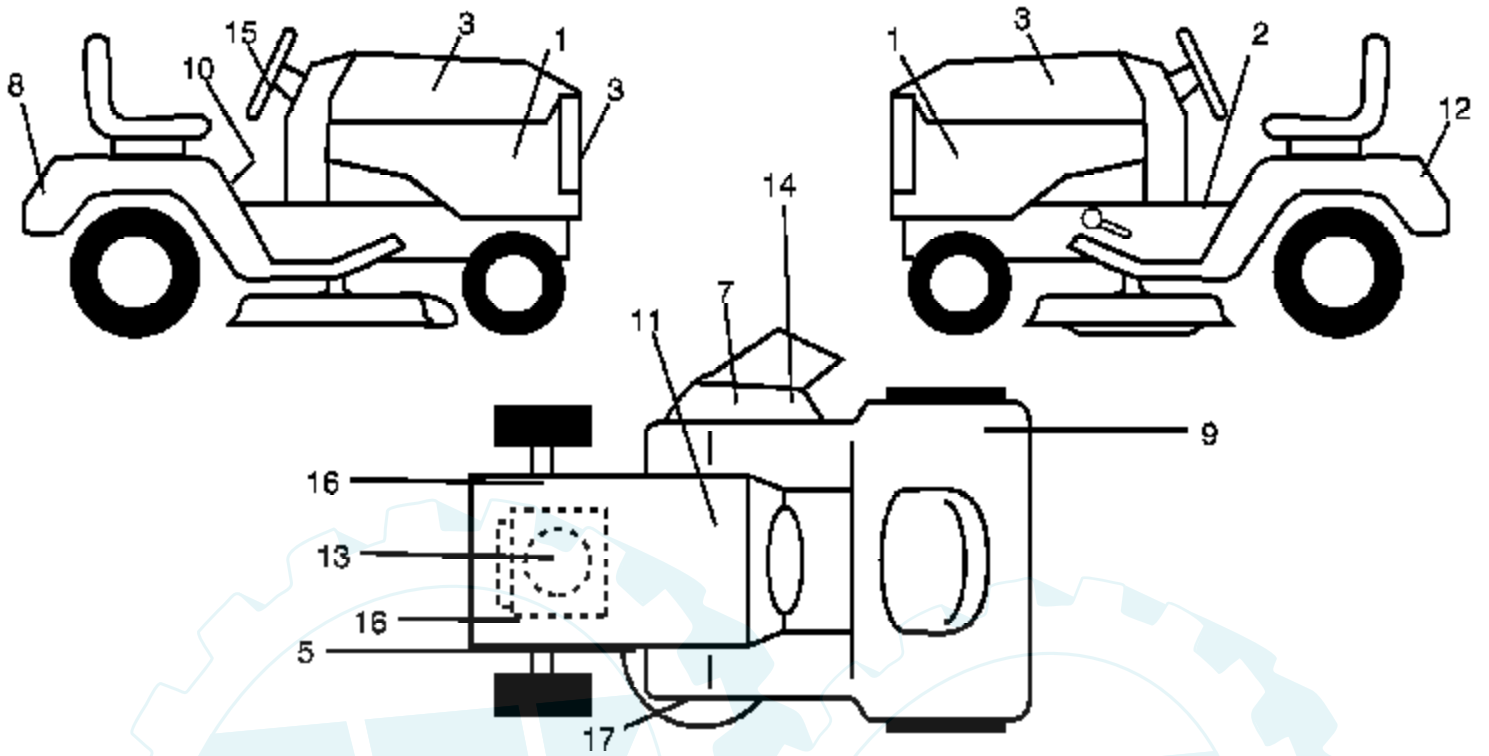
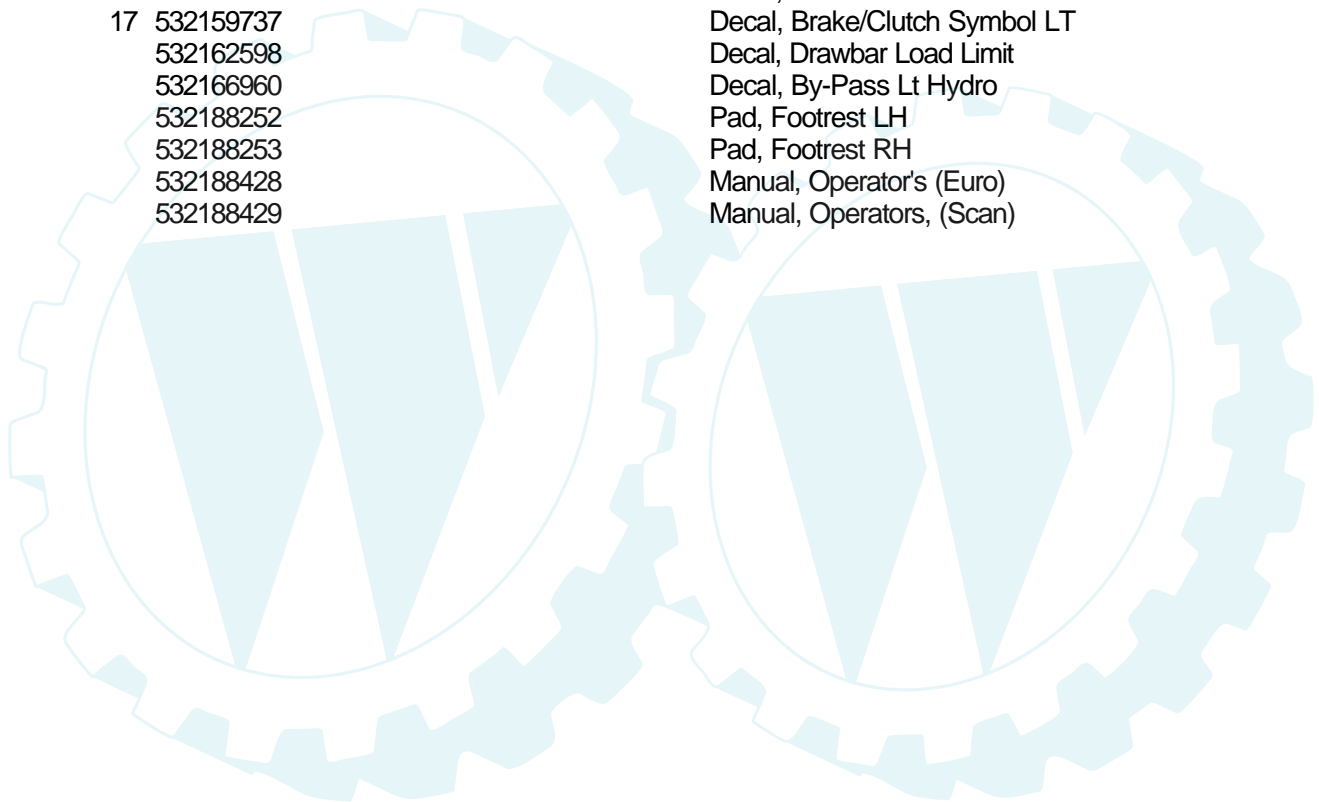
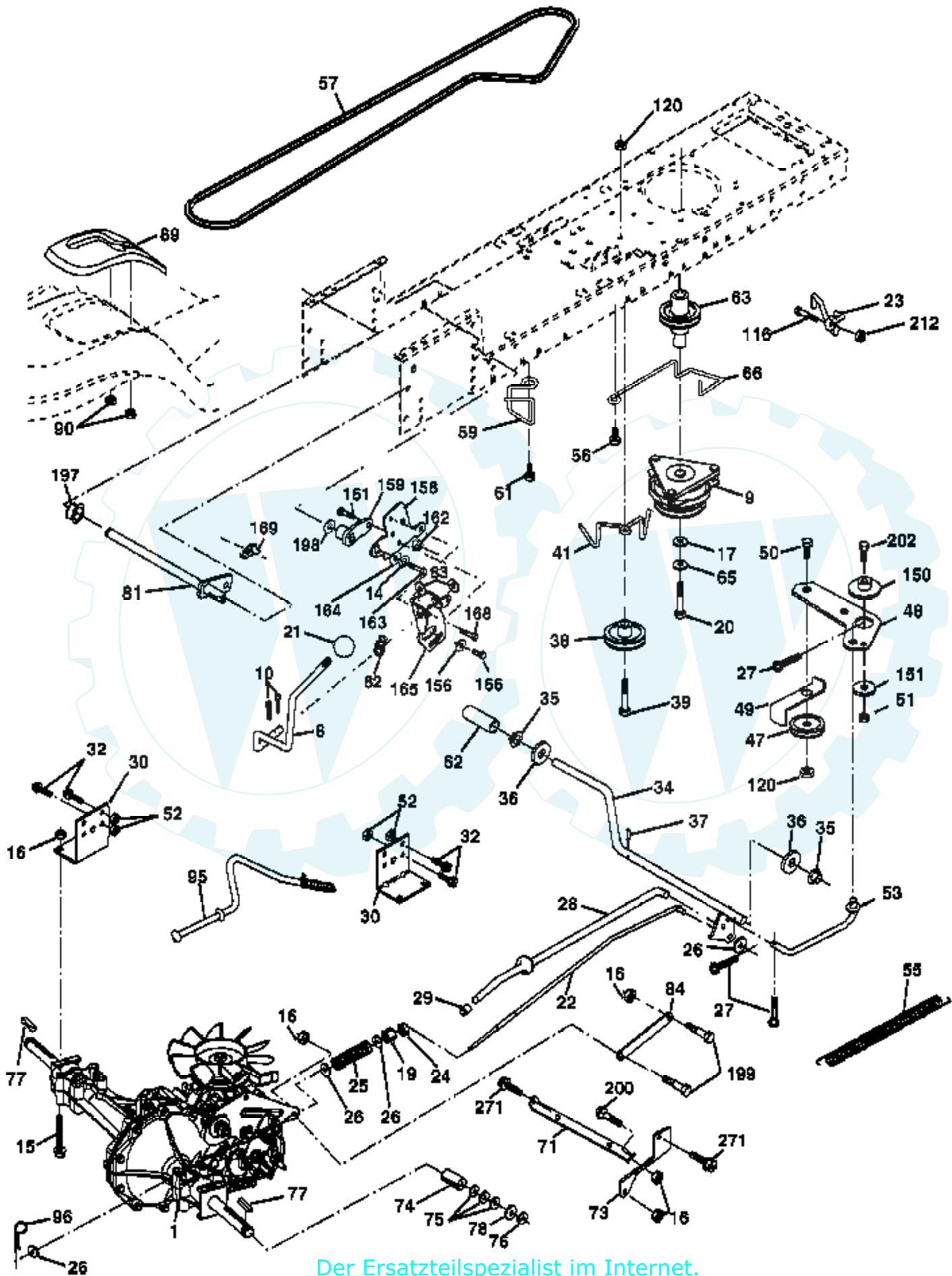


Ref #	Part Number	Qty	Description
1	532174619		Chassis Wldmt.
2	532176554		Drawbar 12 Ga
9	532185337		Dash
10	872140608		Bolt Rd Hd Sqnk. 3/8-16 x 1
11	532167203		Panel Asm. Dash Lh
13	532178298		Panel Dash Rh
14	817490608		Screw Thdrol 3/8-16 x 1/2
17	532181351		Hood Pnt
20	532162026		Plate Mtg Battery
26	873800600		Nut Lock Hex w/Ins 3/8-16 Unc
28	532181352		Grill w/Clips
29	532179761		Lens Grille
30	532181353		Fender /Ftrest Pnt STL
31	532139976		Bracket Fender
37	817490508		Screw Thdrol 5/16-18 x 1/2
38	532175710		Bracket Asm. Pvt. Mwr. Rear
54	532161464		Screw Hex Wshd 8-18 x 7/8
58	532175351		Duct Air
59	532187495		Bushing Snap Split
60	872140606		Bolt Rdhd Sqnk 3/8-16 Unc x 3/4
64	532174997		Dash Lower
74	873680600		Nut, Crownlock 3/8-16 Unc
142	532175702		Plate Reinforcement STL
143	532186689		Bracket Sway Bar
144	532175582		Bracket Footrest STL
145	532156524		Rod Pivot Chassis/Hood
154	532161897		Bracket Dash STL RH
155	532161900		Bracket Dash STL LH
158	532162037		Bracket Parking Brake
159	532181355		Cupholder
161	532164655		Extrusion Bumper
166	532171875		Screw HWHD Hi Lo 13-16 x 3/4
206	532170165		Bolt Shoulder 5/16-18
209	817000612		Screw Hexwsh Thdr 3/8-16 x 3/4



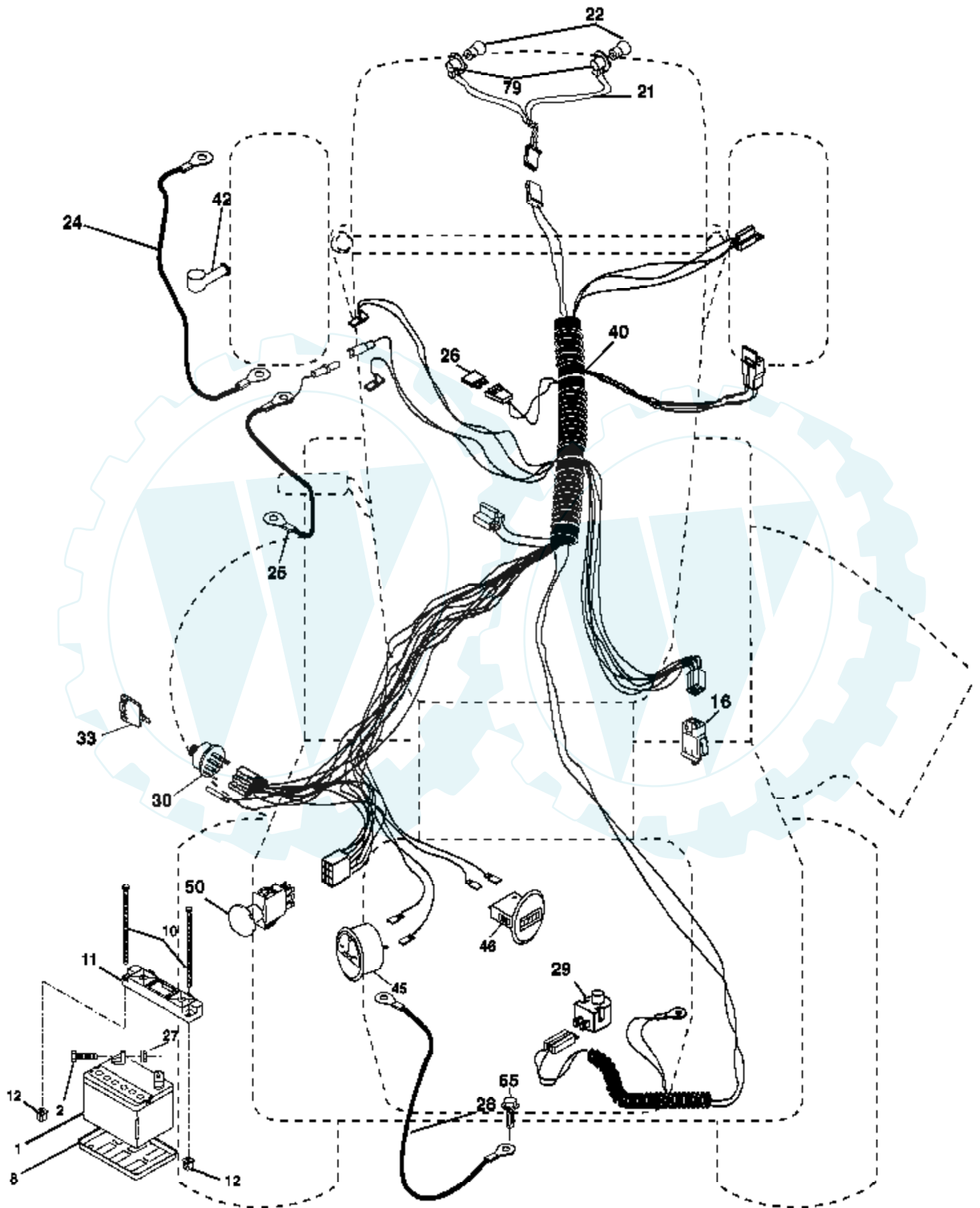
Ref #	Part Number	Qty	Description
1	532188876		Decal Hood Side Panel
2	532140837		Decal, Brake Parking Sandle
3	532183929		Decal, Hood, L. H. / R.H.
5	532160396		Decal, V-Belt Sch.
7	532182166		Decal, Mower Cutfingher Symbol
8	532183930		Decal, Logo, Fender
9	532180432		Decal, 100 DB/CE
10	532145498		Decal, Read Owners Manual
11	532145005		Decal, Bat Dan/Poi P/L Sym
12	532188837		Decal, Fender
13	532189154		Decal Engine
14	532179128		Decal, Deck "B" 42"
15	532185773		Decal, Logo Steering Wheel Cap
16	532159736		Decal, Chassis Hot Muffler
17	532159737		Decal, Brake/Clutch Symbol LT
	532162598		Decal, Drawbar Load Limit
	532166960		Decal, By-Pass Lt Hydro
	532188252		Pad, Footrest LH
	532188253		Pad, Footrest RH
	532188428		Manual, Operator's (Euro)
	532188429		Manual, Operators, (Scan)



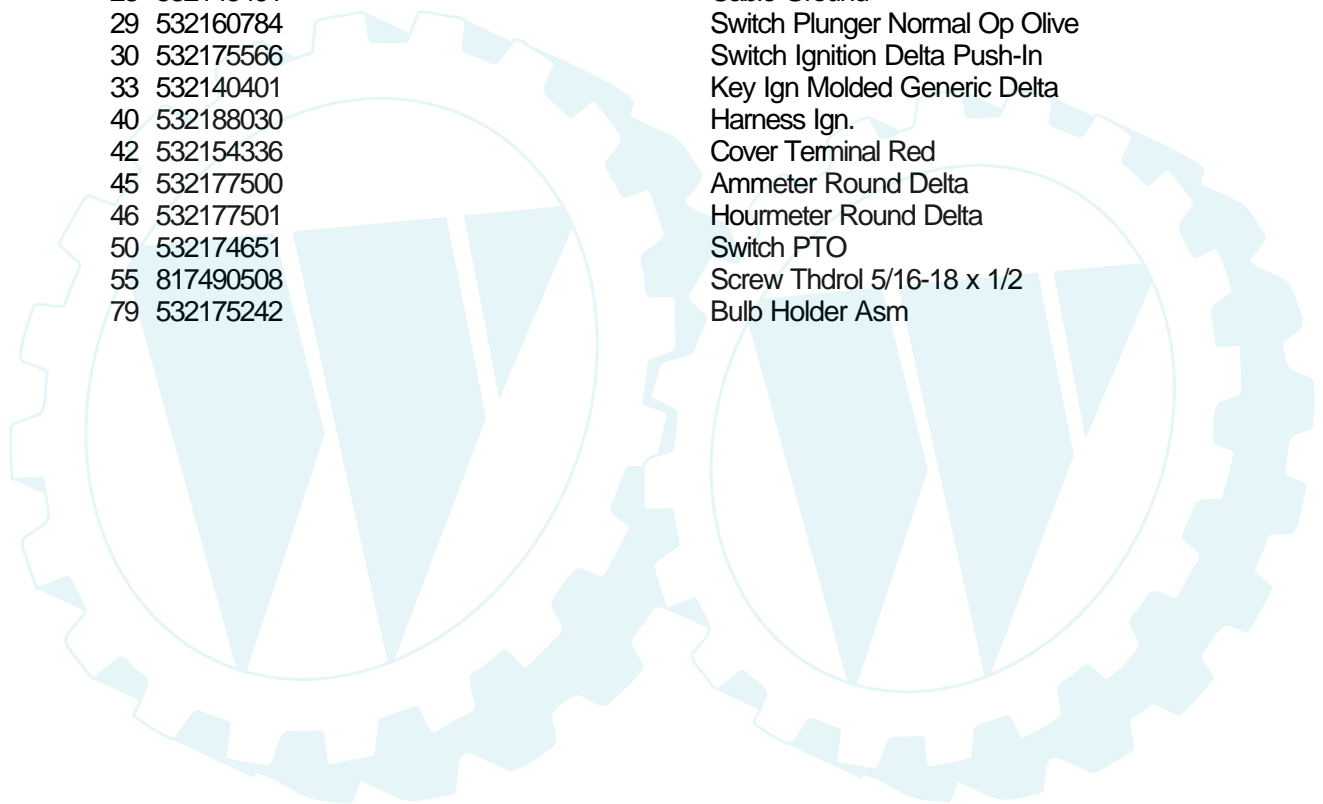


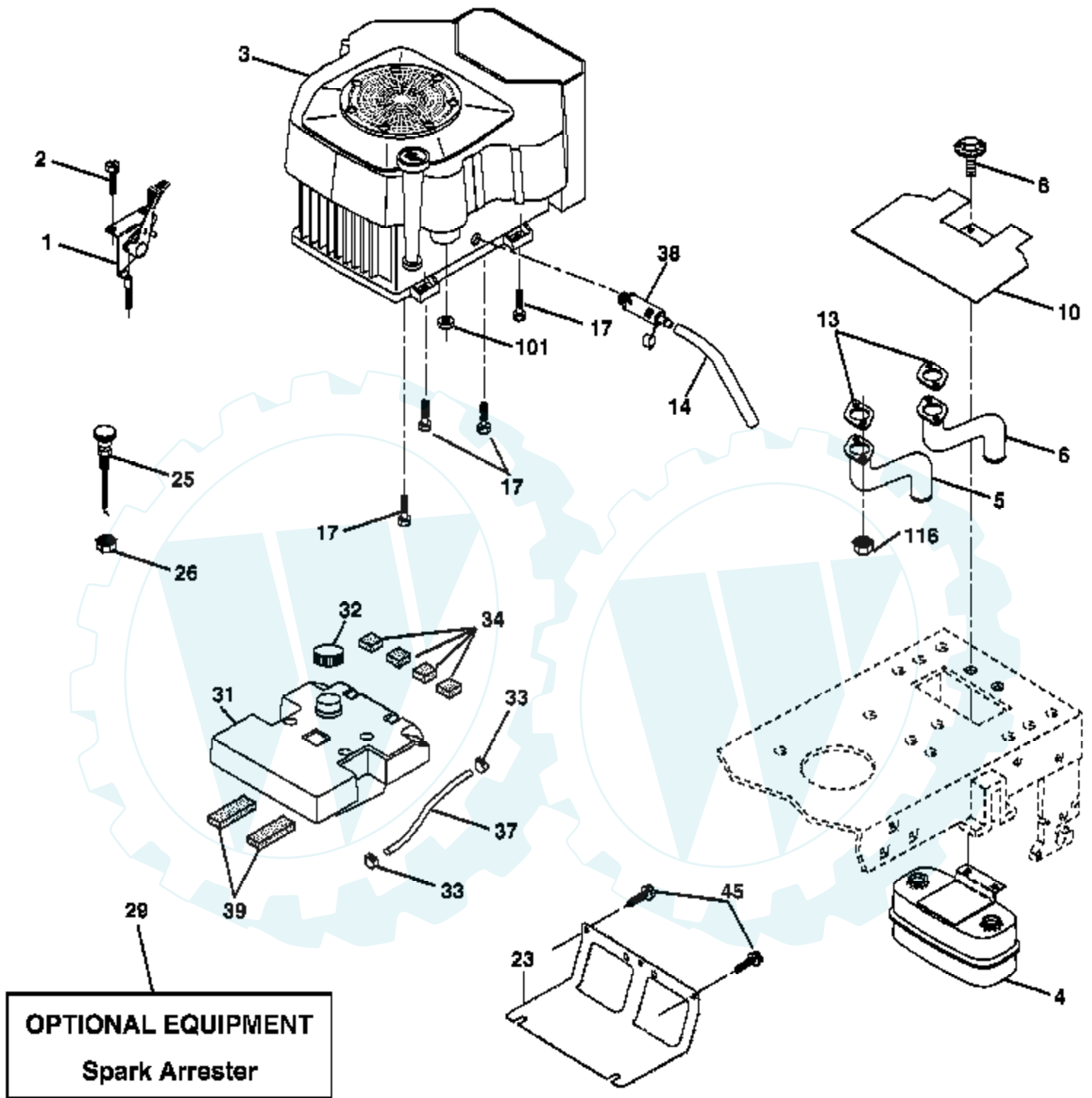
Ref #	Part Number	Qty	Description
1			Transaxle Hydro Gear 314-0510 Order parts from transaxle manufacturer
8	532165866		Rod Shift Fender
9	532180220		Clutch Electric
10	876020416		Pin Cotter 1/8 x 1 CAD
14	810040400		Washer Lock Hvy Helical
15	874490544		Bolt Hex Flghd. 5/16-18 Gr.5
16	873800500		Nut Lock Hex W/Ins. 5/16-18 Unc P
17	532126197		Washer 1-1/2 OD x 15/32 ID x .250
19	873800600		Nut Lock Hex W/Wsh 3/8-16 Unc
20	532173937		Bolt, Hex 7/16-20 x 4 x Gr. 5-1.5
21	532130564		Knob Deluxe
22	532169498		Rod, Brake Hydro
23	532178289		Bracket Asm Anti Rot
24	873350600		Locknut
25	532106888		Spring, Brake Rod
26	819131316		Washer
27	876020412		Pin Cotter 1/8 x 3/4 CAD.
28	532175765		Rod, Parking Brake
29	532071673		Cap, Parking Brake
30	532169592		Bracket, Transaxle
32	874760512		Bolt Hex Hd 5/16-18 Unc x 3/4
34	532175578		Shaft, Foot Pedal
35	532120183		Bearing, Nylon
36	819211616		Washer
37	532124963		Pin, Roll
38	532179114		Pulley, Composite, Flat
39	872110622		Bolt RDHD 3/8-16 UNC x 2-3/4 Gr. 5
41	532175556		Keeper, Belt Idler Flat
47	532127783		Pulley, Idler, V-Groove
48	532154407		Bellcrank Grnd Clutch
49	532123205		Retainer, Belt
50	872110612		Bolt Carr. Sh. 3/8-16 x 1-1/2 Gr. 5
51	873680600		Nut
52	873680500		Nut Crown Lock 5/16-18
53	532105710		Link, Clutch
55	532105709		Spring, Return, Clutch
56	817060620		Screw 3/8-16 x 1-1/4
57	532140294		V-Belt, Ground Drive
59	532169691		Keeper, Center Span
61	817120614		Screw 3/8-16 x .875 SMGML Tap/R.Z
62	532124872		Cover, Pedal
63	532174607		Pulley, Engine
65	810040700		Washer
66	532154778		Keeper Belt Engine Hydro
71	532169183		Strap Torque Lh Hydro
73	532169182		Strap Torque Rh Hydro
74	532137057		Spacer, Axle
75	532121749		Washer 25/32 x 1-1/4 x 16 Ga.
76	812000001		E-Ring
77	532123583		Key, Square
78	532121748		Washer 25/32 x 1-5/8 x 16 Ga.
81	532165596		Shaft Asm Cross Tapered 510 20"
82	532165711		Spring Torsion T/A
83	819171216		Washer 17/32 x 3/4 x 16 Ga.
84	532169594		Link Transaxle HB-0510
89	532166602		Console, Shift

Ref #	Part Number	Qty	Description
90	532124346		Nut, Self Thd Wsh Hd 1/4 Zinc
95	532170201		Control Asm. Bypass Hydro
96	532124788		Retainer Spring 1" Zinc/Cad
116	872140608		Bolt Rd Hd Sqnk 3/8-16 Unc x 1
120	873900600		Nut Lock Flg 3/8-16
150	532175456		Spacer Retainer
151	819133210		Washer 13/32 x 2 x 10 Ga.
156	532166002		Washer Srrted 5/16ID x 1.125
158	532165589		Bracket Shift Mount
159	532183900		Hub Shift
161	872140406		Bolt Rdhd Sqnk 1/4-20 x 3/4 Gr 5
162	873680400		Nut Crownlock 1/4-20 Unc
163	874780416		Bolt Hex Fin 1/4-20 Unc x 1 Gr 5
164	819091210		Washer 9/32 x 3/4 x 10 Ga.
165	532165623		Bracket Pivot Lever
166	817490510		Screw 5/16-18 x 5/8
168	532165492		Bolt Shoulxder 5/16-18 x .561
169	532165580		Plate Fasteneing Lt
197	532169613		Nylinder Snap-In
198	532169593		Washer Nyl. 7/8 ID x .105"
199	532169612		Bolt Shoulder 5/16-18
200	872140508		Bolt Rdhd Sqnk 5/16-18 x 1
202	872110614		Bolt Rdhd 3/8-16 x 1-3/4 Gr 5
212	532145212		Nut Hex Flange Lock
271	817000612		Screw Hex Wsh Thdr 3/8-16 x 3/4 BL

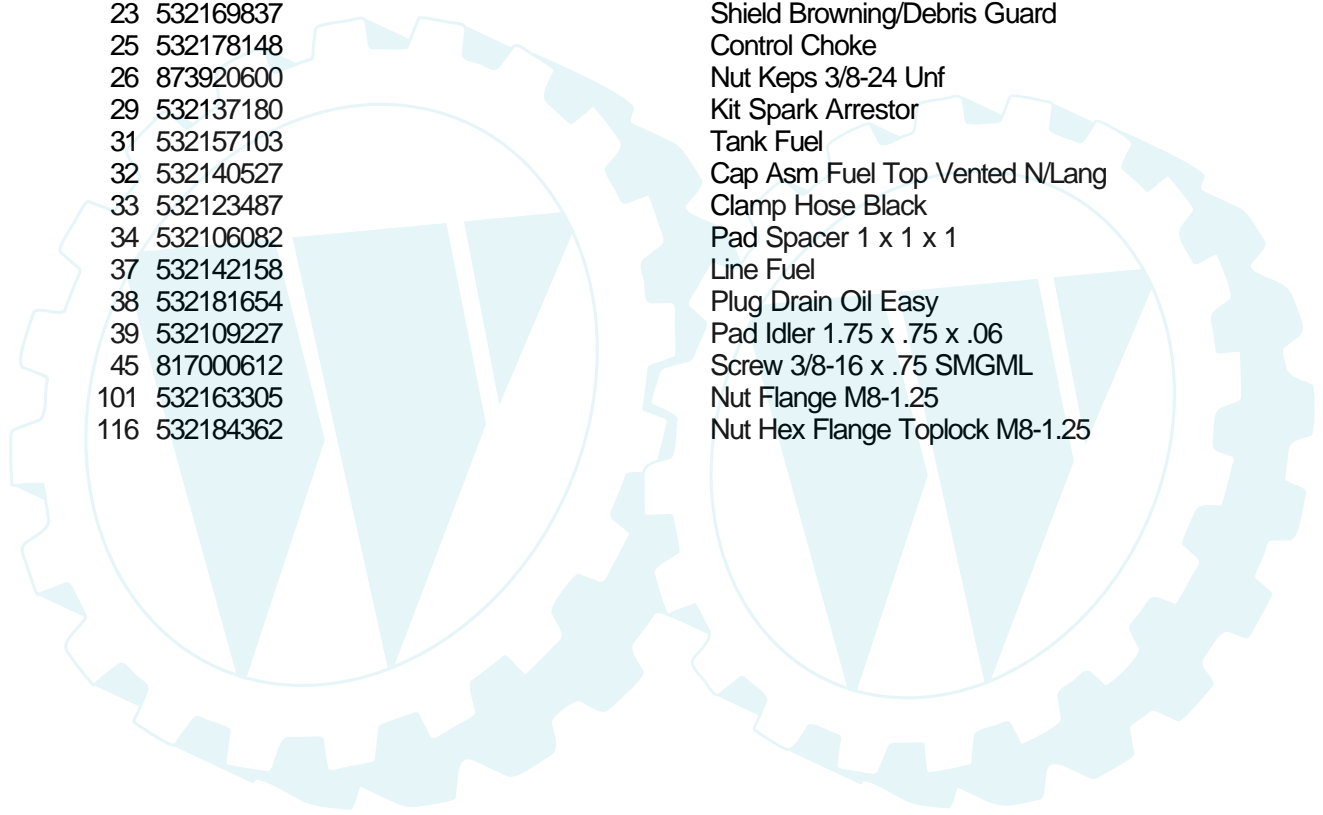


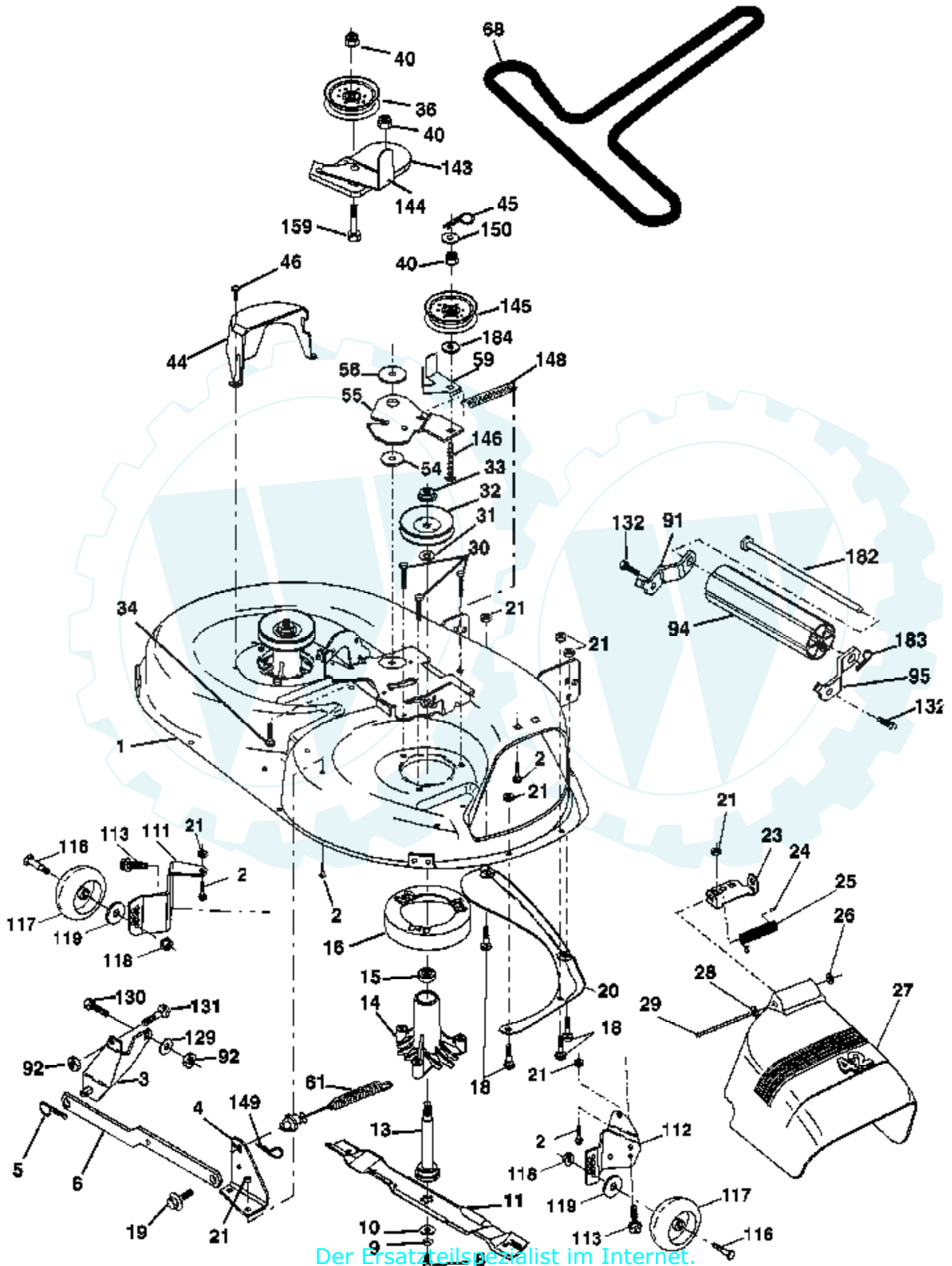
Ref #	Part Number	Qty	Description
1	532144927		Battery
2	874760412		Bolt Hex Hd 1/4-20 Unc x 3/4
8	532124886		Tray Battery 7.80 x 5.25
10	532145211		Bolt Btr Frt 1/4-20 x 7.5
11	532150109		Holddown Battery Front
12	532145769		Nut Push Nylon 1/4
16	532176138		Switch Interlock Push-In
21	532175688		Harness Asm Light W/4152J
22	532004152		Bulb Light #1156
24	532008860		Cable Battery 6 Ga 11"red
25	532186846		Cable Battery 6 Ga W/pos wire
26	532175158		Fuse 20 AMP
27	873510400		Nut Keps Hex 1/4-20 Unc
28	532145491		Cable Ground
29	532160784		Switch Plunger Normal Op Olive
30	532175566		Switch Ignition Delta Push-In
33	532140401		Key Ign Molded Generic Delta
40	532188030		Harness Ign.
42	532154336		Cover Terminal Red
45	532177500		Ammeter Round Delta
46	532177501		Hourmeter Round Delta
50	532174651		Switch PTO
55	817490508		Screw Thdrol 5/16-18 x 1/2
79	532175242		Bulb Holder Asm





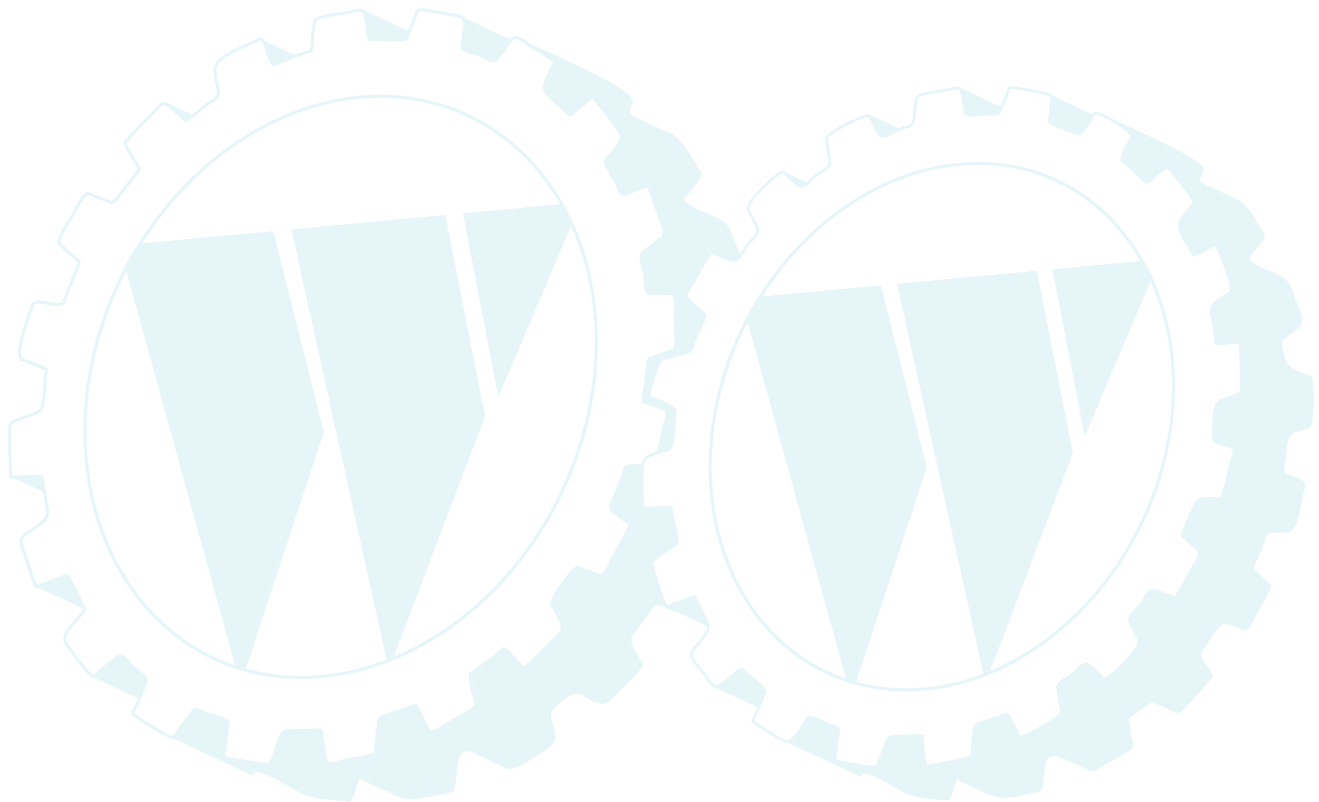
Ref #	Part Number	Qty	Description
1	532178147		Control Th/ch CB EEC. 428
2	532171875		Screw HWHD Hi-Lo #13-16 x 3/4
3			Engine Kohl Model No. CV18S (Order parts from engine manufacturer)
4	532149723		Muffler Asm.
5	532146699		Pipe Exhaust LH
6	532146700		Pipe Exhaust RH
8	532171877		Bolt 5/16-18 Unc x 3/4 w/Sems
10	532146629		Shield Heat Muffler
13	532186054		Gasket Eng
14	532148456		Tube Drain Oil Easy
16	811050600		Washer Lock Ext Tooth 3/8
17	817060624		Screw 3/8-16 x 1-1/2
23	532169837		Shield Browning/Debris Guard
25	532178148		Control Choke
26	873920600		Nut Keps 3/8-24 Unf
29	532137180		Kit Spark Arrestor
31	532157103		Tank Fuel
32	532140527		Cap Asm Fuel Top Vented N/Lang
33	532123487		Clamp Hose Black
34	532106082		Pad Spacer 1 x 1 x 1
37	532142158		Line Fuel
38	532181654		Plug Drain Oil Easy
39	532109227		Pad Idler 1.75 x .75 x .06
45	817000612		Screw 3/8-16 x .75 SMGML
101	532163305		Nut Flange M8-1.25
116	532184362		Nut Hex Flange Toplock M8-1.25

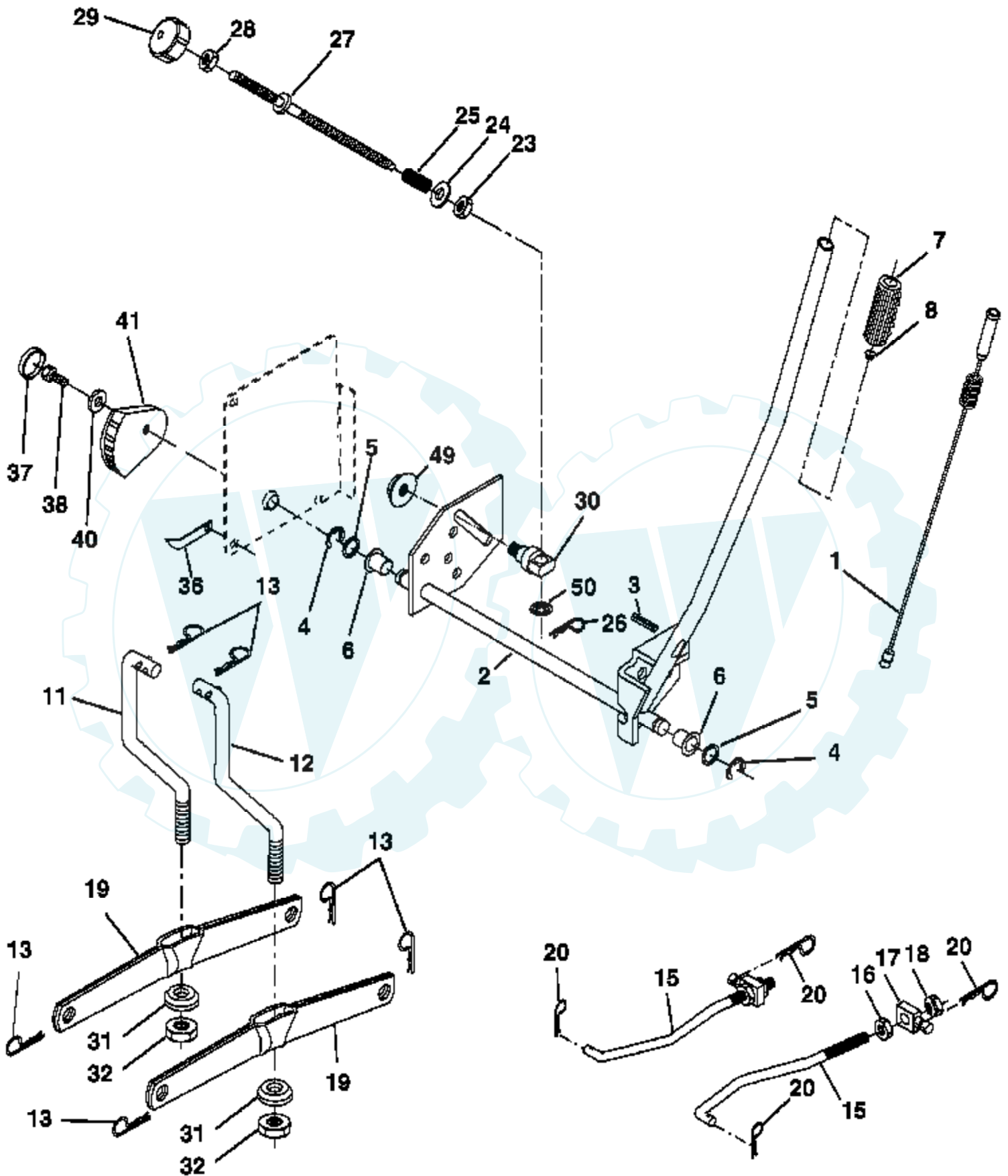




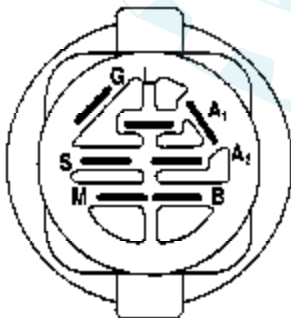
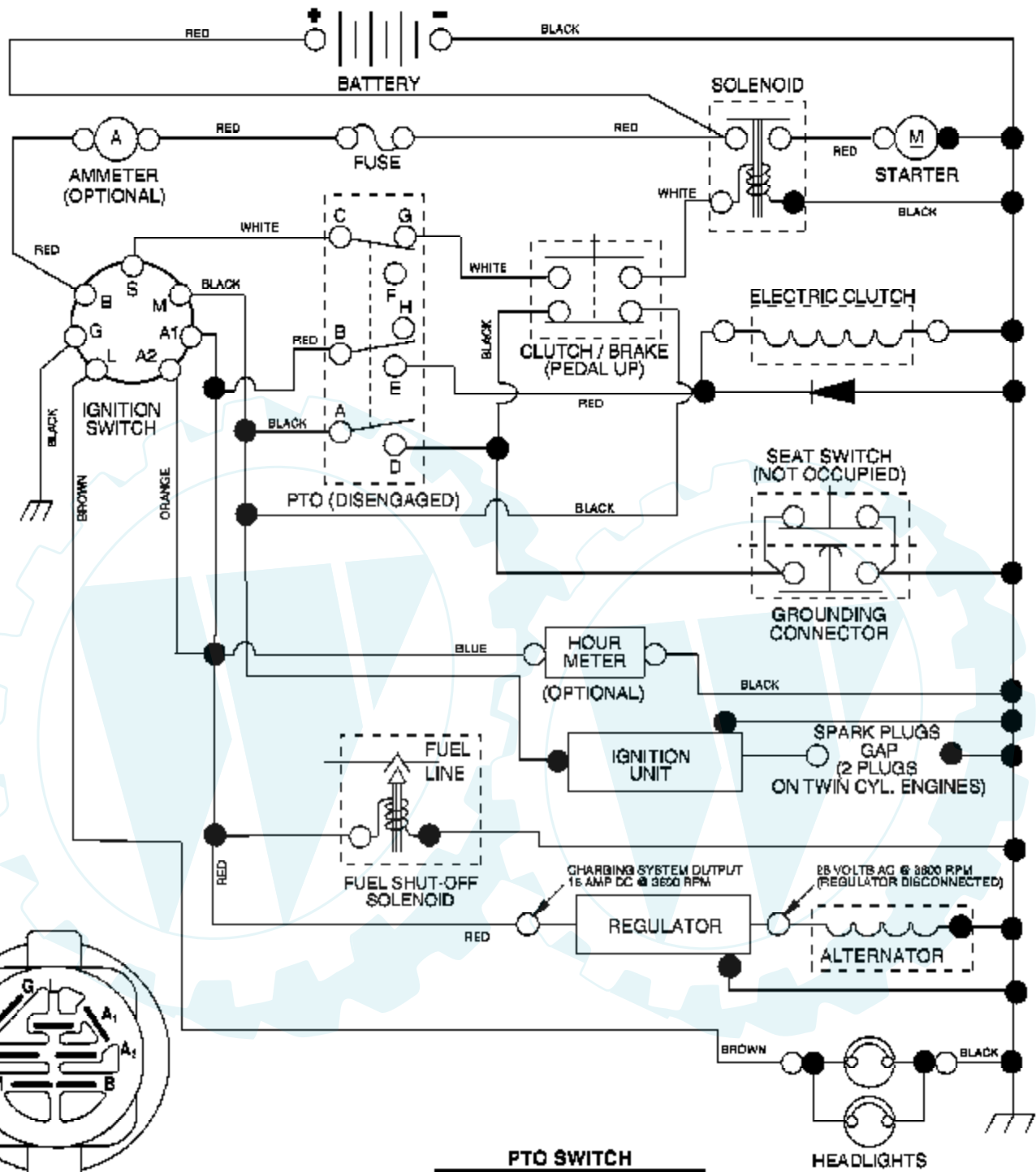
Ref #	Part Number	Qty	Description
1	532165892		Housing Asm Mower 42"94 T-Path
2	872140506		Bolt Rdhd Sqnk 5/16-18 Unc x 3/4
3	532138017		Bracket Asm Fr Sway Bar 38/42
4	532165460		Bracket Asm Deck 42"sway Bar
5	532124670		Retainer Spring
6	532178024		Bar Sway Deck
8	532850857		Bolt 3/8-24 x 1 25 Gr8 Patched
9	810030600		Washer Lock Hvy 3/8 Unplated
10	532140296		Washer Hard Blade Mower Vented
11	532138971		Blade Mower High Lift"
13	532137645		Shaft Asm W/lower Bearing
14	532128774		Housing Mandrel Vented(machd)
15	532110485		Bearing Ball Mandrel
16	532174493		Stripper Mower
18	872140505		Bolt Carr 5/16-18 x 5/8
19	532132827		Bolt Shoulder
20	532159770		Baffle Vortex 42
21	873680500		Nut Crown Lock 5/16-18
23	532177563		Bracket Deflector Mower 42"
24	532105304		Cap Sleeve 80x 112 Blk Mower
25	532123713		Spring Torsion Deflector 2 52
26	532110452		Nut Push Phos & Oil
27	532171859		Shield Deflector
28	819111016		Washer 11/32 x 5/8 x 16 Ga
29	532131491		Rod Hinge 42"6 75 Wlg
30	532173984		Screw Thd Rolling Hex
31	532187690		Washer Spacer
32	532153535		Pulley Mandrel
33	532178342		Nut 9/16top Lock Flng Cntr
34	872110612		Bolt Carr. Sh 3/8-16 x 1-1/2 Gr.5
36	532131494		Pulley Idler Flat 3 060
40	873900600		Nut Lock Flange 3/8-16 Unc
44	532140088		Guard Mandrel LH Black
45	532124788		Retainer Spring
46	532137729		Screw Thdrol 1/4-20 x 5/8
54	532178515		Washer Hardened
55	532155046		Arm Idler 42" mower LT/YT
56	532165723		Spacer Retainer Mower
59	532141043		Guard, Belt
61	532174882		Spring Ext. Elect
68	532180260		V-Belt Mower
91	532180532		Bracket Asm Noseroller LH
92	873800600		Nut Lock Hex w/ins. 3/8-16 Unc
94	532132264		Roller Nose 38 & 42
95	532180533		Bracket Asm Noseroller RH
111	532179292		Bracket Gauge Wheel Lh
112	532179293		Bracket Gauge Wheel Rh
113	817000510		Bolt 5/16-18 Hex W/hs. Hd. LCKSERR
116	532124842		Bolt Shoulder
117	532165746		Wheel Gauge
118	873930600		Nut Centerlock 3/8-16 Unc
119	819121414		Washer 3/8 x 7/8 x 14 Ga.
129	819131312		Washer 13/32 x 13/16 x 12 Ga.
130	874780616		Bolt Fin Hex 3/8-16 Unc x 1 Gr. 5
131	872140608		Bolt Rdhd Sqnk 3/8-16 Unc x1
132	817000612		Screw 3/8-16 x .75
143	532157109		Bracket Arm Idler
144	532158634		Keeper Belt

Ref #	Part Number	Qty	Description
145	532165888		Pulley Idler Flat
146	532171977		Bolt Carriage Idler
148	532169022		Spring Return Idler
149	532165898		Retainer Spring Yellow
150	819091216		Washer 9/32 x 3/4 x 16
159	872140614		Bolt RDHD SQN 3/8-16 x 1-3/4
182	532179126		Rod Roller Nose Standard
183	532163552		Retainer Spring
184	819131410		Washer 13/32 x 7/8 x 10 Ga.
	532181962		Replacement Deck, Complete
	532130794		Mandrel Assembly (Includes Housing, Shaft and Shaft Hardware Only - Pulley Not Included)





Ref #	Part Number	Qty	Description
1	532159461		Wire Asm Inner/Sprg W/plunger LT
2	532159476		Shaft Asm Lift
3	532178981		Pin Groove
4	812000002		E Ring #5133-62
5	819211621		Washer 21/32 x 1 x 21 Ga.
6	532120183		Bearing Nylon Blk 629 Id
7	532125631		Grip Handle Fluted Blk
8	532122365		Button Plunger Red
11	53139865		Link Lift LH Mower
12	53139866		Link Lift RH Mower
13	53124670		Retainer Spring
15	53173288		Link Front
16	87350800		Nut Jam Hex 1/2-13 Unc
17	53175689		Trunnion Blk Zinc
18	87800800		Nut Lock W/wsh 1/2-13 Unc
19	53139868		Arm Suspension Rear
20	53163552		Retainer Spring
23	53110807		Nut Special
24	81131016		Washer 13/32 x 5/8 x 16 Ga.
25	53164024		Spring Comp Infinite
26	53169484		Retainer Clip
27	53164543		Rod Adj Lift
28	87350600		Nut Hex Jam 3/8-16 Unc
29	53138057		Knob Inf 3/8-16 Unc
30	53150233		Trunnion Inf. Height
31	53169865		Bearing Put Lift
32	87540600		Nut Crownlock 3/8-24
36	53155097		Pointer Height Ind
37	53123935		Plug Hole
38	81060516		Screw 5/16-18 x 1 SMGML Tap/R
40	81112410		Washer 11/32 x 1-1/2 x 10 Ga.
41	53155098		Ind Height STLT
49	53145212		Nut, Hex Flange Lock
50	53110452		Nut Push Phos & Oil



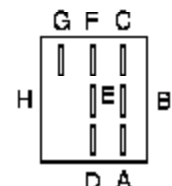
IGNITION SWITCH

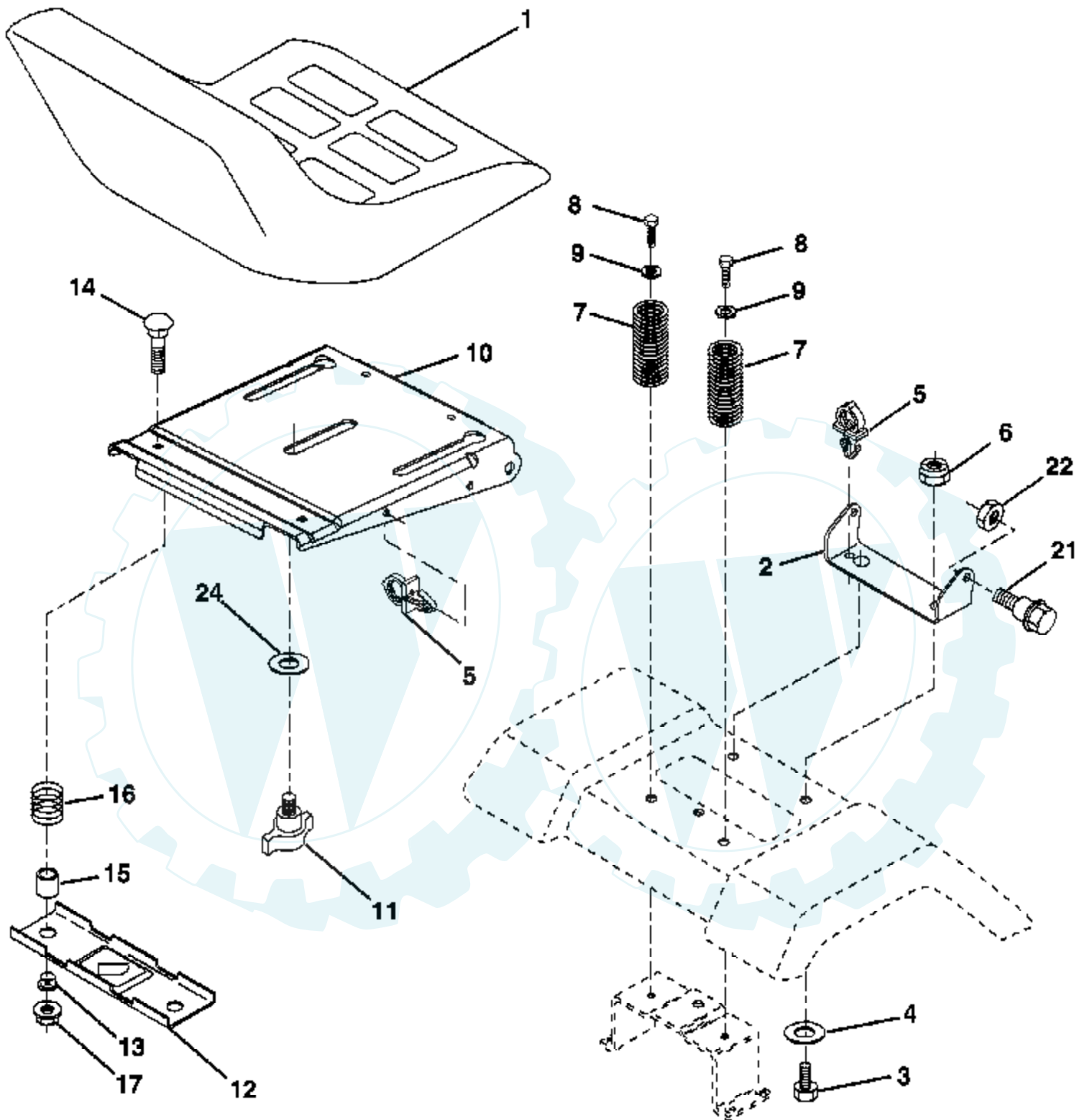
POSITION	CIRCUIT	"MAKE"
OFF	M + G + A1	NONE
ON+LIGHTS	B + A1	L + A2
ON	B + A1	NONE
START	B + S + A1	NONE

WIRING INSULATED CLIPS
NOTE: IF WIRING INSULATED CLIPS WERE REMOVED FOR SERVICING OF UNIT, THEY SHOULD BE REPLACED TO PROPERLY SECURE YOUR WIRING.

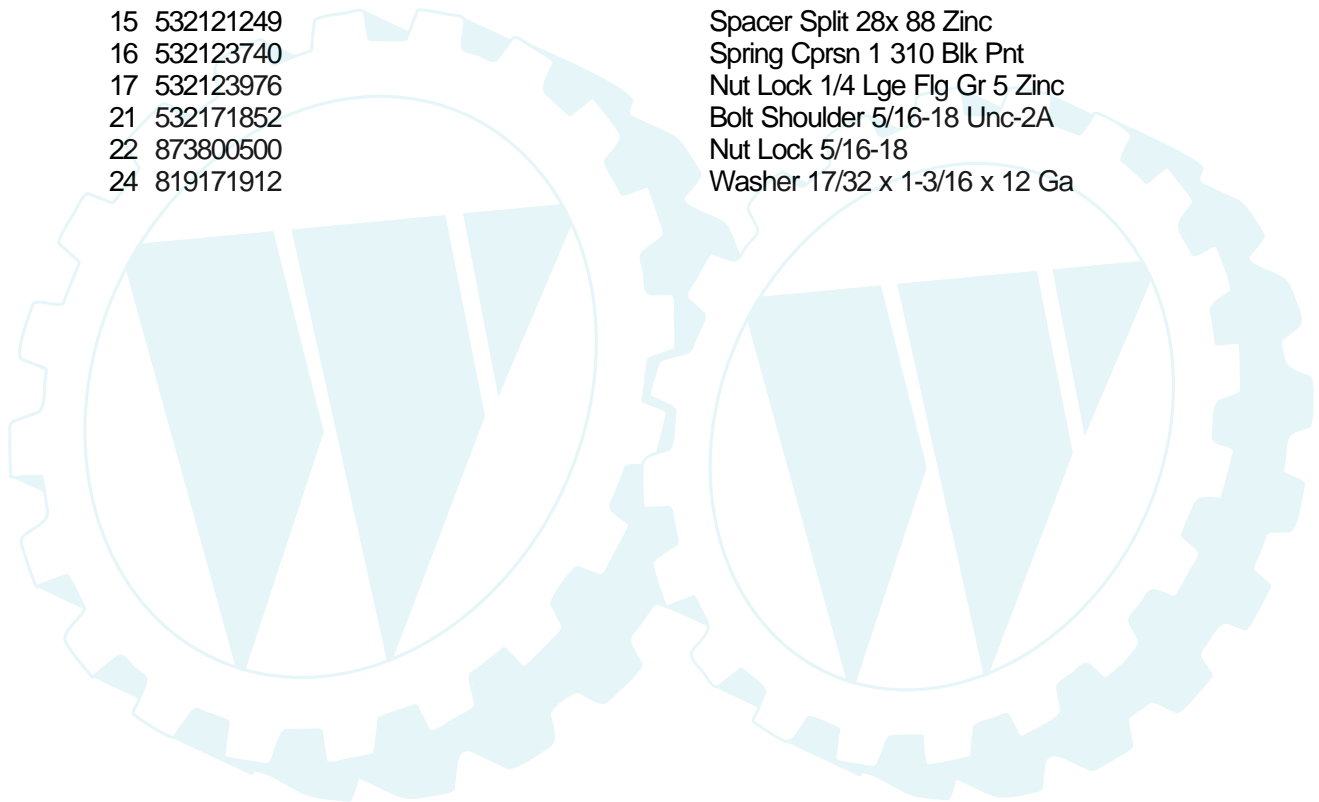
PTO SWITCH

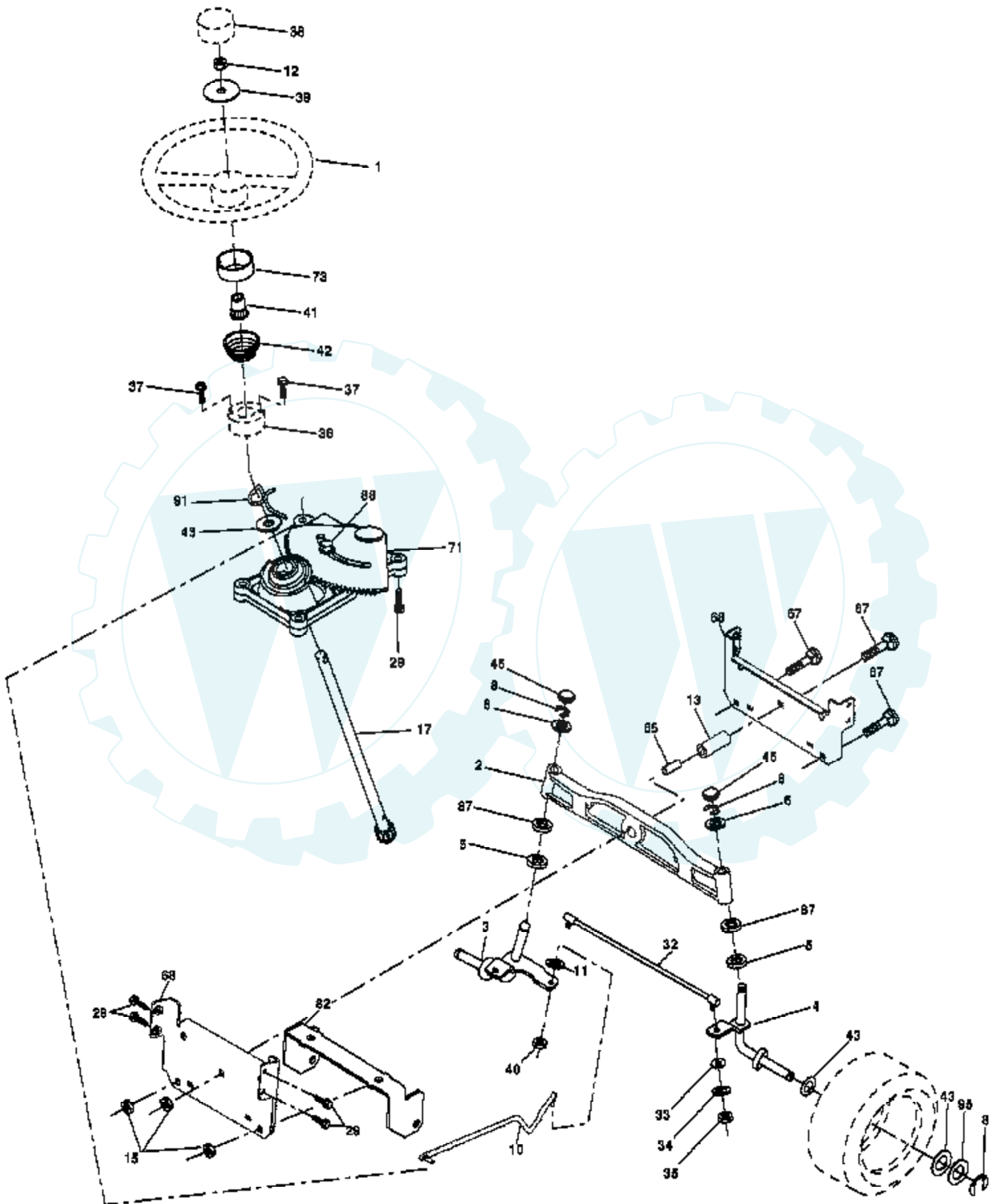
POSITION	CIRCUIT
OFF	C + G, B + H
ON	C + F, B + E, A + D



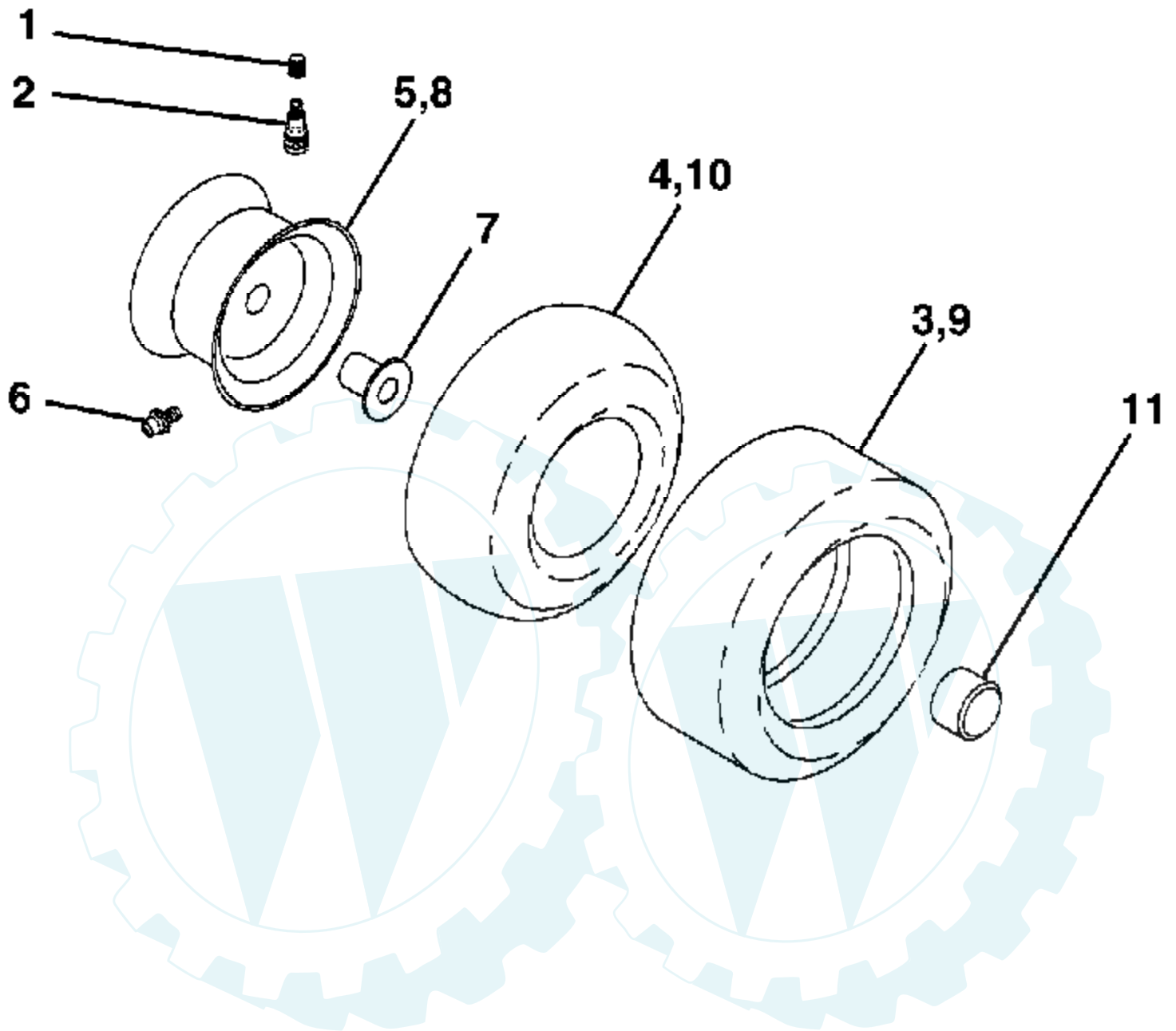


Ref #	Part Number	Qty	Description
1	532188706		Seat
2	532180166		Bracket Pivot
3	871110616		Bolt Hex 3/8-16unc x 1
4	819131610		Washer 13/32 x 1 x 10 Ga
5	532145006		Clip Push-In Hinged
6	873800600		Nut Lock Hex w/Ins. 3/8-16 Unc
7	532124181		Spring Seat Cprsn 2 250 Blk Zi
8	817000616		Screw 3/8-16 x 1.5 SMGML
9	819131614		Washer 13/32 x 1 x 14 Ga
10	532180186		Pan Seat
11	532166369		Knob Seat Adj Wingnut
12	532121246		Bracket Mounting Switch
13	532121248		Bushing Snap Blk Nyl 50 Id
14	872050412		Bolt Rdhd Sht Nk 1/4-20 x 1-1/2
15	532121249		Spacer Split 28x 88 Zinc
16	532123740		Spring Cprsn 1 310 Blk Pnt
17	532123976		Nut Lock 1/4 Lge Flg Gr 5 Zinc
21	532171852		Bolt Shoulder 5/16-18 Unc-2A
22	873800500		Nut Lock 5/16-18
24	819171912		Washer 17/32 x 1-3/16 x 12 Ga





Ref #	Part Number	Qty	Description
1	532172092		Wheel Steering
2	532184706		Axle Front Cast Iron
3	532169840		Spindle Asm LH
4	532169839		Spindle Asm Stmp RH
5	532124931		Bearing Race Thrust Harden
6	532121748		Washer 25/32 x 1-5/8 x 16 Ga
8	812000029		Ring Klip #5304-75
10	532175121		Link Drag
11	810040600		Washer Lock Hvy Hlcl Spr 3/8
12	873940800		Nut Hex Jam Top Lock 1/2-20
13	532136518		Spacer Bearing Axle Front
15	532145212		Nut Hex Flange Lock
17	532177883		Shaft Asm Strg
29	817000612		Screw 3/8-16 x .75 SMGML
32	532171888		Rod Asm Tie Ball J Solid
33	819111216		Washer 11/32 x 3/4 x 16 Ga.
34	810040500		Washer Lock Hvy HLCL Spr. 5/16
35	873540500		Nut Crown Lock 5/16-24
36	532155105		Bushing Strg
37	532152927		Screw TT #32.5 x 5 x 3/8 Flange
38	532172093		Cap Wheel Steer
39	819182411		Washer 9/16 ID x 1 1/2 OD. 11 G. Zin
40	873540600		Nut Crownlock 3/8-24
41	532159945		Adaptor Wheel Strg
42	532177149		Boot Dash Steering
43	532121749		Washer 25/32 x 1-1/4 x 16 Ga
46	532121232		Cap Spindle Fr Top Blk
65	532160367		Spacer
67	872110618		Bolt Rdhd Sqnk 3/8-16 x 2-1/4
68	532169827		Brace, Axle
71	532175146		Steering Asm
73	532181449		Extension Steering
82	532169835		Bracket Susp Chassis
87	532173966		Washer Flat .781 x 1-1/2 x .14
88	532175118		Bolt Shoulder 7/16-20
91	532175553		Clip Steering
95	532188967		Washer Harden .793 x 1 .637 x 060



Ref #	Part Number	Qty	Description
1	532059192		Cap Valve Tire
2	532065139		Stem Valve
3	532106222		Tire F Ts 15 x 6 0 - 6 Service
4	532059904		Tube Front (Service Item Only)
5	532138336		Rim Asm 6"front Silver Service
6	532124957		Fitting Grease (Front Wheel Only)
7	532124959		Bearing Flange (Front Wheel Only)
8	532138337		Rim Asm 8"rear Silver Service
9	532122082		Tire R Ts 20 x 10-8 C Service
10	532124926		Tube Rear (Service Item Only)
11	532175039		Cap Axle Blk 1 50 x 1 00
	532144334		Sealant, Tire (10 oz. tube)

