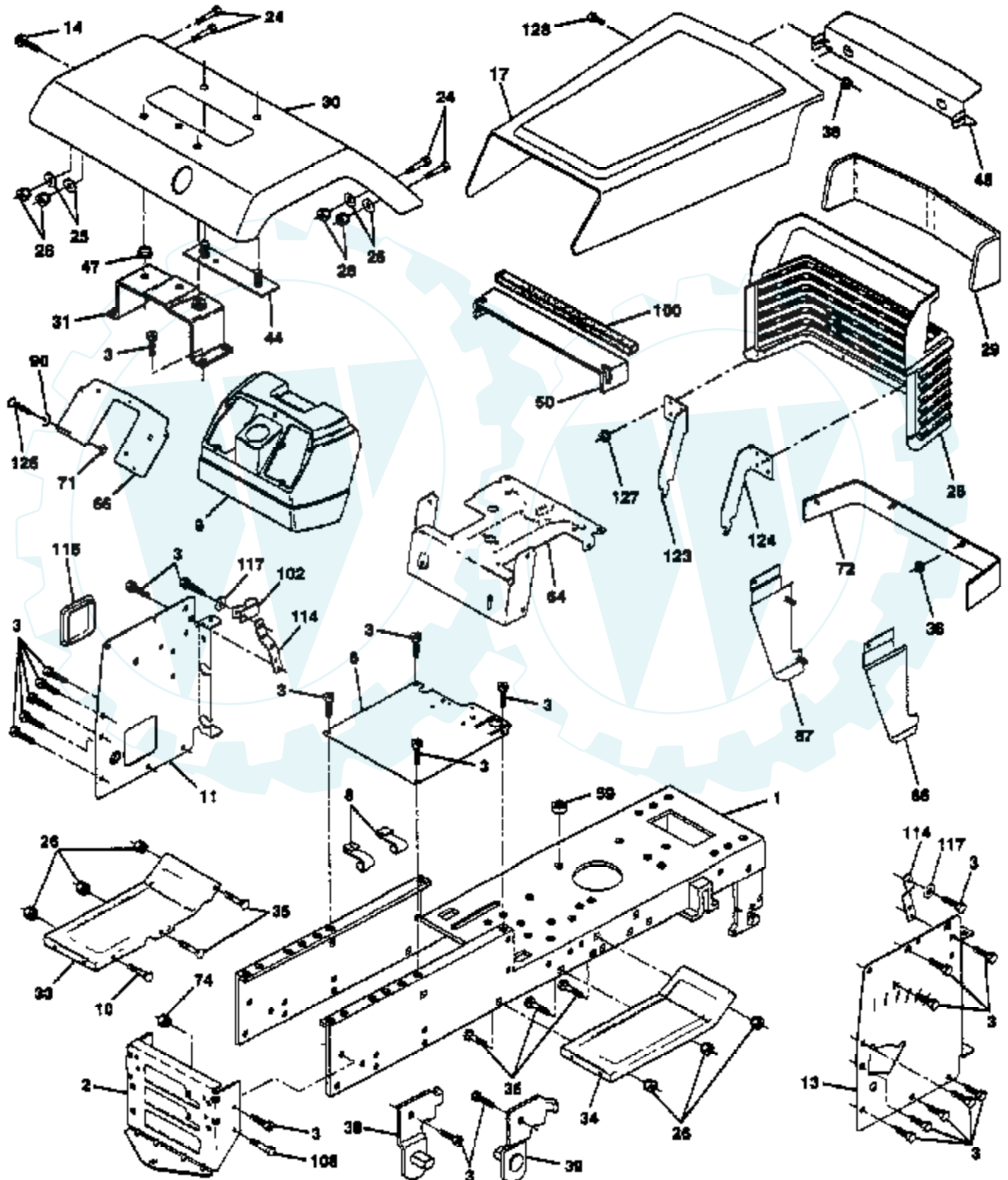


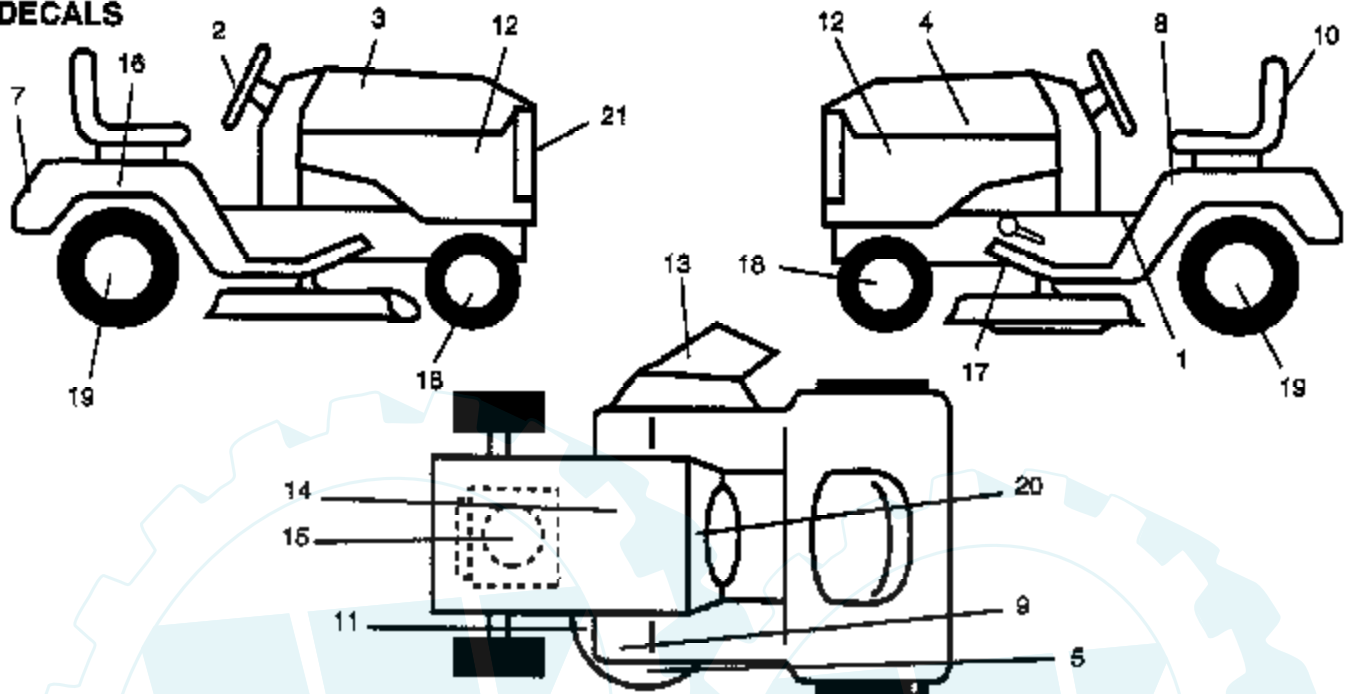
## TRACTOR -- MODEL NUMBER HD19H42A CHASSIS AND ENCLOSURES



Ref #	Part Number	Qty	Description
1	145501		CHASSIS.WLD.11GA
2	140356		SUB= 145009
3	17490612		SCREW
6	145206		SUB= 145206X431
8	126471X		"CLIP,INSULATOR"
9	145203		DASH.PLASTIC.BLK
10	72140608		SUB= 72110608
11	145218		PANEL.DASH.LH.
13	145223		PANEL.DASH.RH.NOT
14	17490608		SCREW LT
17	123801X550		HOOD/GRILLE ASM
24	74780616		BOLT
25	19131312		WASHER
26	73800600		NUT
28	140671		GRILLE ASM WELD
29	110898X		LENS T
30	140002X550		FENDER PNT
31	137113		BRKT.ASM.FENDER
33	145244X550		FOOTREST.LH.LT/GT
34	145243X550		FOOTREST.RH.LT/GT
35	72110606		BOLT
36	108067X		PAL NUT LT
38	139886		BRACKET ASM LH
39	139887		BRACKET ASM RH
44	140675		STRAP ASM FENDER
45	132257		SUB= 918132257
47	105531X		NUT-PUSH YT
59	110436X		SUB= 9151R
64	145095		SUB= 150272
66	146967X012		PLATE.SLKSC.YT/GT
71	73510500		NUT
72	110350X550		STRAP FENDER ASM
86	123764X550		PANEL SIDE RH ASM
87	123765X550		PANEL SIDE LH ASM
90	19111116		WASHER
102	2751R		CLIP T
114	145349		BRACKET.SUPT.DASH
115	121794X		COVER ACCESS
117	144283		WASHER.SERRATED.
123	144712		SUB= 149036
124	144713		BRACKET.PICK.RH
125	74180512		SCREW
127	120579X		PAL NUT
128	124201X		SCREW SPECIAL
	8022J		PLUG-DASH T

### TRACTOR - - MODEL NUMBER HD2044A

#### DECALS

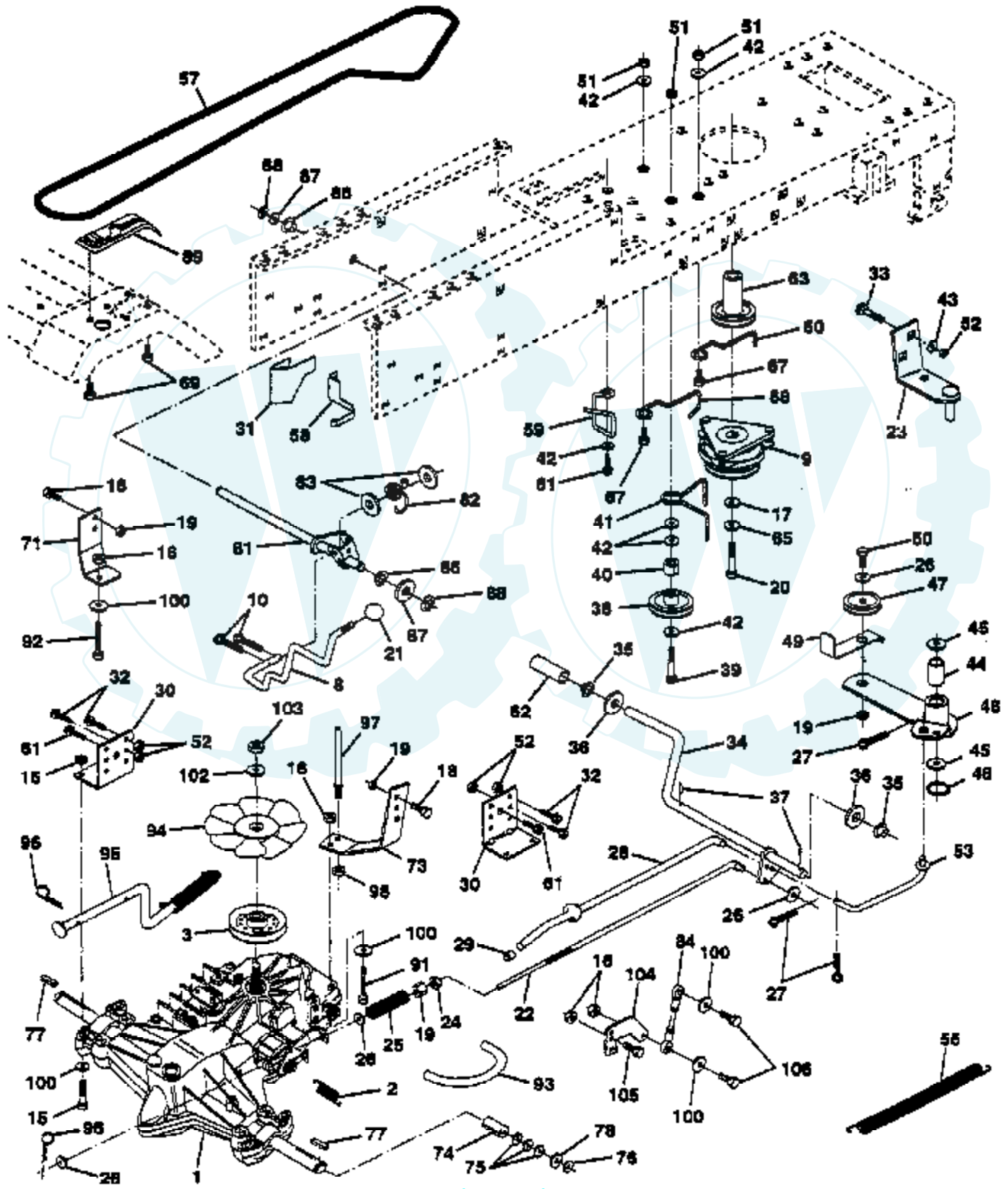


**NOTE:** All component dimensions given in U S inches  
1 inch = 25.4 mm

Ref #	Part Number	Qty	Description
1	140837		DECAL BRAK PARK
2	148801		DECAL.INST.WHL.ST
3	148797		DECAL.HD.RH.20HP.
4	148798		DECAL.HD.LH.20HP.
5	148803		DECAL.DECK.MULCH.
7	148800		DECAL.FENDER.HDEP
8	141898		DECAL CAUT FEND
9	141897		DECAL CLUT/BRAKE
10	148795		DECAL.SEAT.WEED.
11	148723		DECAL.HD2044A
12	148802		DECAL.PNL.SD.HDEP
13	137259		"DECAL, WARNING"
14	145005		DECAL.BATRY.3-3908
15	148409		DECAL.PARTS.ONAN.
17	148724		DECAL.HD2044A
18	148729		"DECAL.HUBCAP.8"""
19	148730		DECAL.HD2044A
20	141901		DECAL INST OP DAS
21	148818		DECAL.GRILLE.HDPT
	138311		DECAL HANDLE LIFT
	133671		FOOTREST PAD
	148732		MANUAL.HD2044A
	148733		MANUAL.OWN.HD2044
	LBD48		SNOW BLADE
	LA028		TIRE CHAINS
	LC05		WHEEL WTS.
	LSB42		SNOW THROWER
	TR01		GRADER BLADE
	TX11		SLEEVE HITCH

# TRACTOR - - MODEL NUMBER HD19H42A

## DRIVE

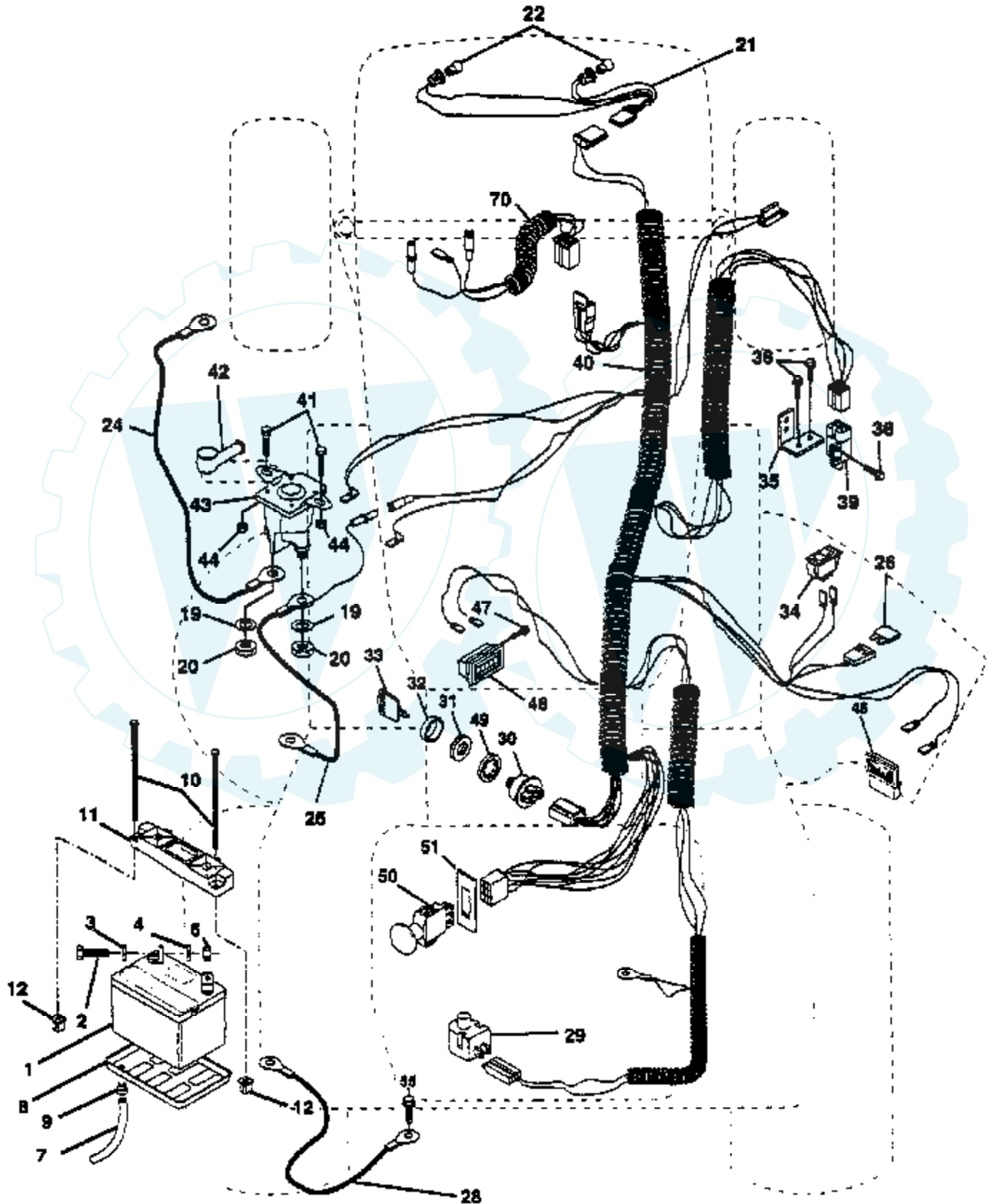


Ref #	Part Number	Qty	Description
1	144436		SUB= 150071
2	142431		SPRING RET BRAKE
3	143995		PULLEY.TRANSAXLE
8	141002		ROD SHIFT FEND YT
9	137140		SUB= 142600
10	76020416		PIN COTTER 1/8
15	74780544		BOLT HEX
16	73800500		NUT
17	126197X		WASHER
18	74780616		BOLT
19	73800600		NUT
20	71170768		SUB= 150280
21	140845		KNOB DLX BLK/BLK
22	145627		ROD.BRAKE.HYDRO.
23	137141		BRACKET.ASM.MTG
24	73350600		NUT
25	106888X		SPRING ROD LT
26	19131316		WASHER
27	76020412		COTTER PIN
28	145204		ROD.BRAKE.PARK.LT
29	71673		PLUNGER CAP T
30	130807		TRANSAXLE MTG BKT
31	127275X		"KEEPER,BELT LH T"
32	74760512		BOLT
33	72140506		BOLT
34	149001		SHAFT.PEDAL.FOOT
35	120183X		NYLON BEARING
36	19211616		WASHER LT
37	1572H		SUB= 2882J
38	123674X		PULLEY.IDLER.FLAT
39	74760644		BOLT
40	4470J		SPACER T
41	109070X		BELT KEEPER LT
42	19131312		WASHER
43	19111012		WASHER T
44	105706X		"LY, BEARING"
45	110812X		WASHER LT
46	12000039		KLIP RING
47	127783		SUB= 139245
48	123789X		ARM IDLER
49	123205X		RETAIN BELT
50	74760624		SUB= 74930624
51	73680600		SUB= 73690600
52	73680500		SUB= 73690500
53	105710X		"LINK, CLUTCH T"
55	105709X		"SPRING, RETURN LT"
57	140294		"BELT.GD DRV 82""
58	140470		KEEPER BELT LH
59	140312		KEEPER BELT CNTSP
60	121218X		KEEPER BELT ENGLH
61	17490612		SCREW
62	123533X		"COVER,PEDAL"
63	140189		PULLEY CLU ELEC
65	10040700		LOCKWASHER
67	74760620		SUB= 74780620
68	105730X		"KEEPER,BLT ENG LT"
69	142432		SCREW HEXWSH H-L
71	140158		STRAP TORQ LH HYD

Ref #	Part Number	Qty	Description
73	140157		STRAP TORQ RH HYD
74	121199X		SPACER SPLIT
75	121749X		WASHER
76	12000001		E-RING LT
77	123583X		SQUARE KEY
78	121748X		WASHER
81	140154		SUB= 156046
82	123782X		"SPRING,TORSION"
83	19171216		WASHER
84	140548		ROD.TIE.BALL.4.75
86	71208		BUSHING
87	19212016		WASHER D
88	12000008		KLIP RING
89	139989		SUB= 153762
91	74780536		NLA
92	74780524		HEX BOLT
93	142564		"LINE FUEL HYD 4""
94	140462		"FAN 7"" HYDRO"
95	144643		SUB= 918144643
96	4497H		RETAINER M
97	140469		BOLT KEEPER RH
98	73510600		NUT
100	19111216		WASHER M
102	141322		WASHER BELLEVILLE
103	73940800		SUB= 73360800
104	140156		ARM CONTROL HYDRO
105	71070516		SCREW CAP 5/16-18
106	74780520		BOLT

# TRACTOR - - MODEL NUMBER HD19H42A

## ELECTRICAL

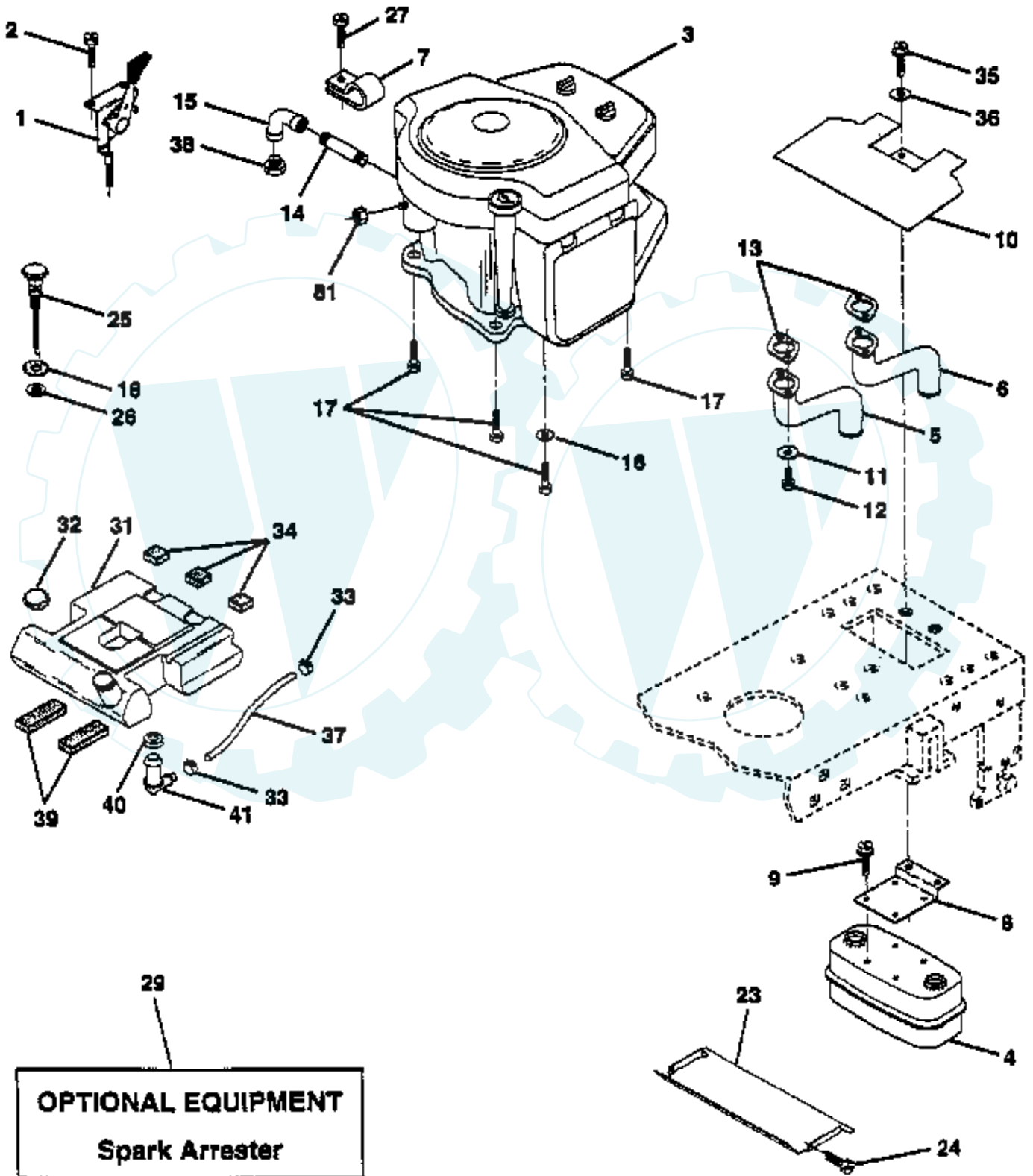




Ref #	Part Number	Qty	Description
1	144925		SUB= 123899X
2	74760412		BOLT LT
3	19091016		WASHER
4	10040400		LOCKWASHER
6	73220400		SUB= 50675
7	7697J		"DRAIN TU T, BATT"
8	7603J		"TRAY T, BATTERY"
9	109596X		HOSE CLAMP T
10	145211		SUB= 150177
11	145209		SUB= 150109
12	145769		SUB= 150177
19	10090400		SUB= 10040400
20	73350400		NUT
21	136850		"HARNESS,LIGHT SOC"
22	4152J		HEADLAMP BULB
24	4799J		"CABLE T, BATTERY"
25	146148		CABLE.6GA.22W/16W
26	108824X		FUSE HYT
28	145491		CABLE.GRND.6GA.21
29	121305X		SWITCH SEAT
30	144921		SUB= 163088
31	140400		SUB= 145774
32	141226		COVER KEY SWITCH
33	140401		KEY MLD GEN DELTA
34	110712X		SWITCH LT
35	108236X		BRACKET LT
36	17021008		SCREW
39	109553X		SWITCH INTERLOCKT
40	149170		HARNESS.IGN.ELECT
41	71110412		BOLT.HX.1/4-20
42	131563		SUB= 154336
43	145673		SUB= 146154
44	73510400		NUT
45	122822X		AMMETER
46	110940X		HOUR METER T
47	17011008		SCREW
49	11151000		LOCKWASHER
50	140404		SUB= 154959
51	140405		RING RETAIN PTO
55	17490508		SCREW LT
70	143906		HARNESS ENG B&S

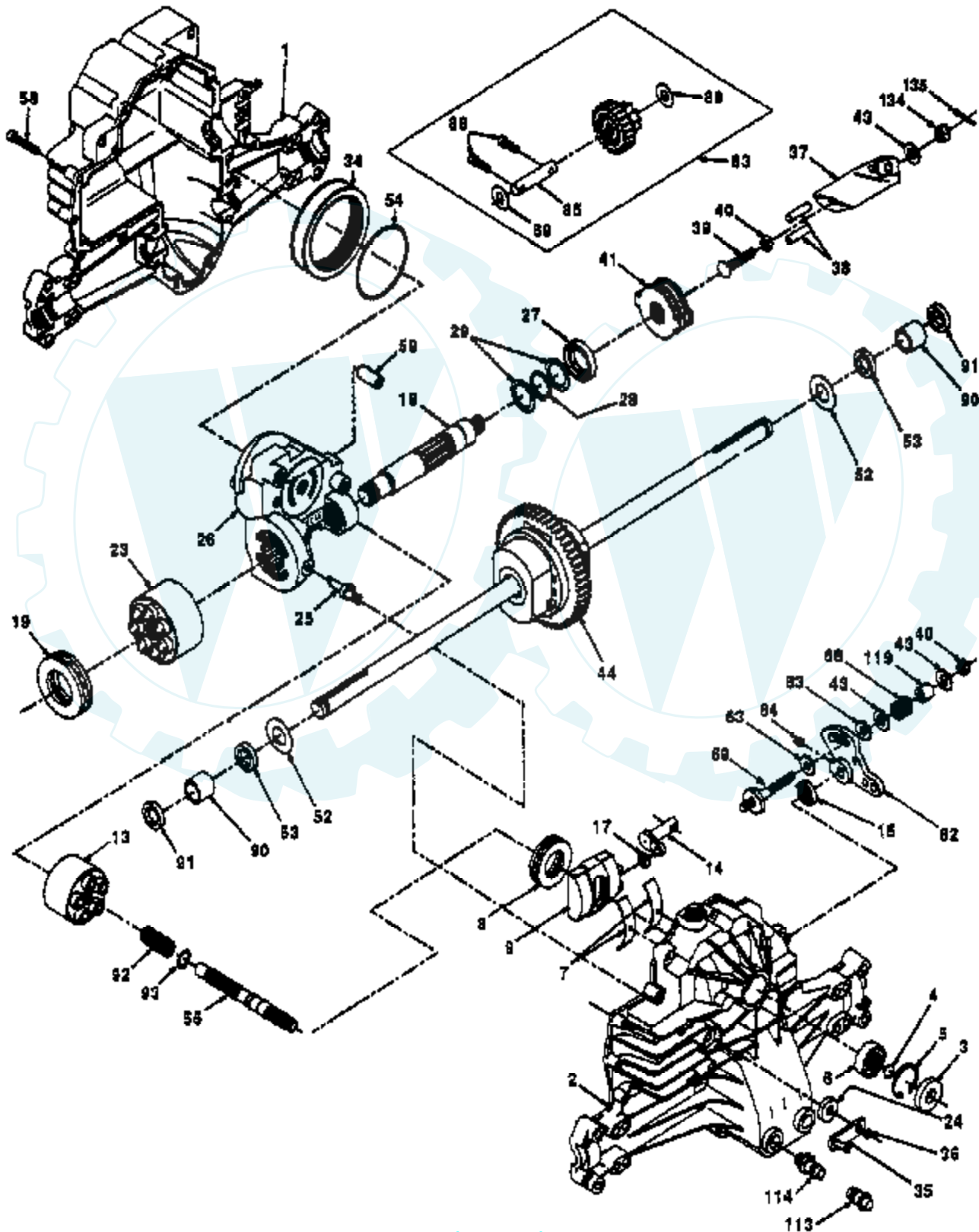
### TRACTOR -- MODEL NUMBER HD19H42A

#### ENGINE



Ref #	Part Number	Qty	Description
1	143885		CONTROL.TRRTL.37
2	17720410		SCREW LT
3	42A777		ENGINE
4	137978		SUB= 149723
5	144069		EXHAUST.B&S.18.LH
6	144068		EXHAUST.B&S.18.RH
7	138129		CLAMP.TUBE.DBL.EN
8	122439X		BRACKET MUFFLER
9	17190408		SCREW ST
10	145552		SHIELD.HEAT.
11	10040400		LOCKWASHER
12	74780412		SUB= 74780414
13	8545J		SUB= 272250
14	13280336		PIPE NIPPLE LT
15	13200300		ELBOW
16	11050600		LOCKWASHER
17	17490620		SCREW
23	128953		HEAT SHIELD
24	17021008		SCREW
25	138672		"CONTROL.CHOKE.51""
26	73610600		SUB= 7810H
27	17541008		SCREW.10-24X1/2
29	137180		SUB= 532137180
31	141069		SUB= 151346
32	140527		CAP ASM FUEL
33	123487X		HOSE CLAMP
34	106082X		PAD-SPACER LT
35	17490512		SCREW
36	19132012		WASHER
37	8543R		FUEL LINE T
38			CHECK WITH SUPPLIER
39	109227X		PAD IDLER TI
40	3645J		BUSHING OUTLET T
41	139277		STEM.TANK.FUEL
81	73510400		NUT

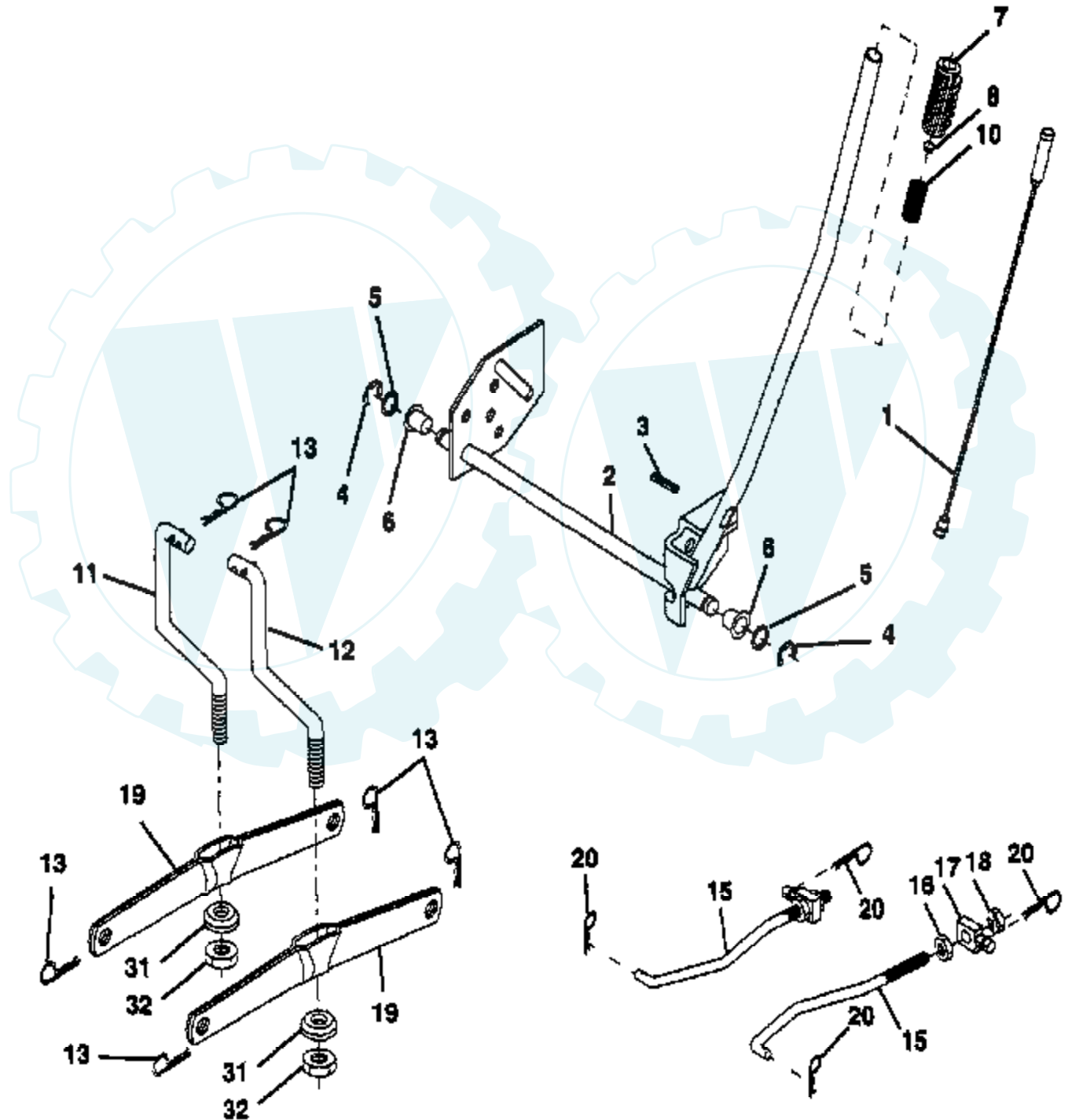
**TRACTOR - - MODEL NUMBER HD19H42A**  
**HYDRO-GEAR TRANSAXLE - MODEL NUMBER 310-760**



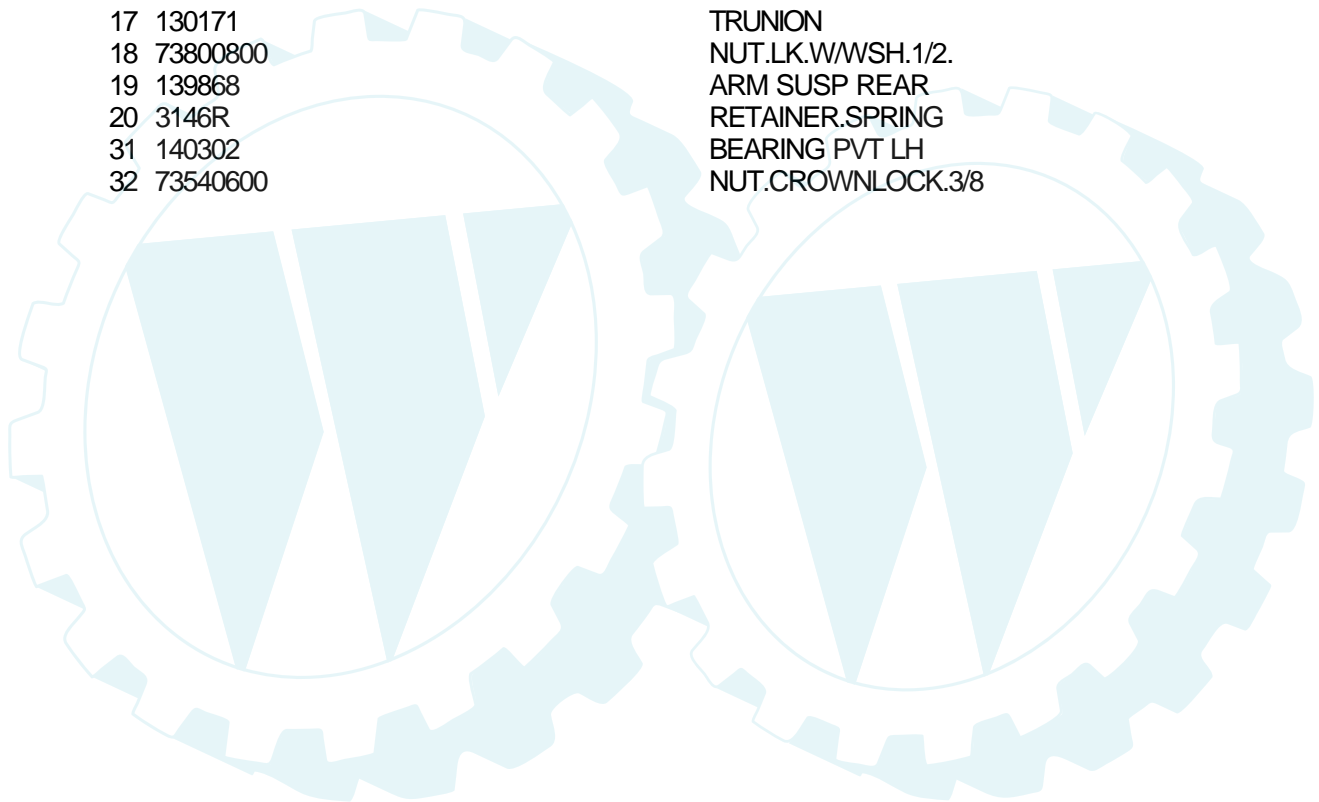
Ref #	Part Number	Qty	Description
1	142930		HOUSING.L.50074RM
2	142931		HOUSING.UP.70125
3	142932		SEAL.9008000-0128
4	142928		RING.RET.2003016.
5	142933		RING.RET.2003052.
6	142934		BEARING.(50552)42X68X16
7	142935		CRADLE- 2003023.
8	142936		BEARING.2003044.
9	142937		SWASHPLT.2003087.
13	142938		BLOCK.CLYN.70079.
14	142939		ARM.TRUN.2003005.
15	142940		SEAL.9008000-0126
17	142941		GUIDE.2000015.
18	142942		SHAFT.MOTOR.50115
19	142943		BEARING.THS.50019
23	142944		BLOCK.CYLIN.70082
24	142945		SEAL.LIP.45074
25	142946		ACTUATOR.2003555
26	142947		KIT.CENTER.70133
27	142948		SEAL.LIP.45075
28	142949		RING RETAIN 50007
29	142950		WASHER.44872
34	142951		ELEMENT.OIL.44964
35	142952		ARM.BYPASS.50270
36	142953		RING.RETAIN.44870
37	142954		ARM.ACTUAT.23710
38	142955		PIN.ACTUAT.44891
39	142956		SUB= 149705
40	142957		NUT.LOCK.HX.50108
41	142958		KIT.BRAKE.70135
43	142884		WASHER HYD 44130
44	142959		DIFFERENTIA.70130
52	142960		WASHER.HYD.50152
53	142961		SEAL.HYDRO.45076
54	142962		O RING.HYD.45077
56	142963		SHAFT.INPUT.50005
58	142964		BOLT.1/4-20.44876
59	142965		PIN.HYDRO.50002
62	142966		ARM.CONTROL.50254
63	142967		PUCK.DAMPER.50281
64	142920		SCREW.SET.50018.
68	142969		SPRING.HYD.50277
69	144610		STUD.5/16-24.DANA
83	142971		JACKSHAFT/PINION GEAR.70132
85	142972		JACKSHAFT.50086
88	142973		SCREW.CAP.50154.
89	142974		WASHER.HYD.50132
90	142975		BEARING.SLV.50118
91	142976		SEAL.WIPER.50941
92	142977		SPRING.2003014.
93	142978		WASHER.2003017
113	142917		CAP.VENT.70109
114	142918		O-RING.ASM.70110
119	142980		SPACER.HYD.50278
134	144607		NUT.CAS.HYD.44142
135	144608		PIN.COT.HYD.44101

# TRACTOR - - MODEL NUMBER HD19H42A

## LIFT

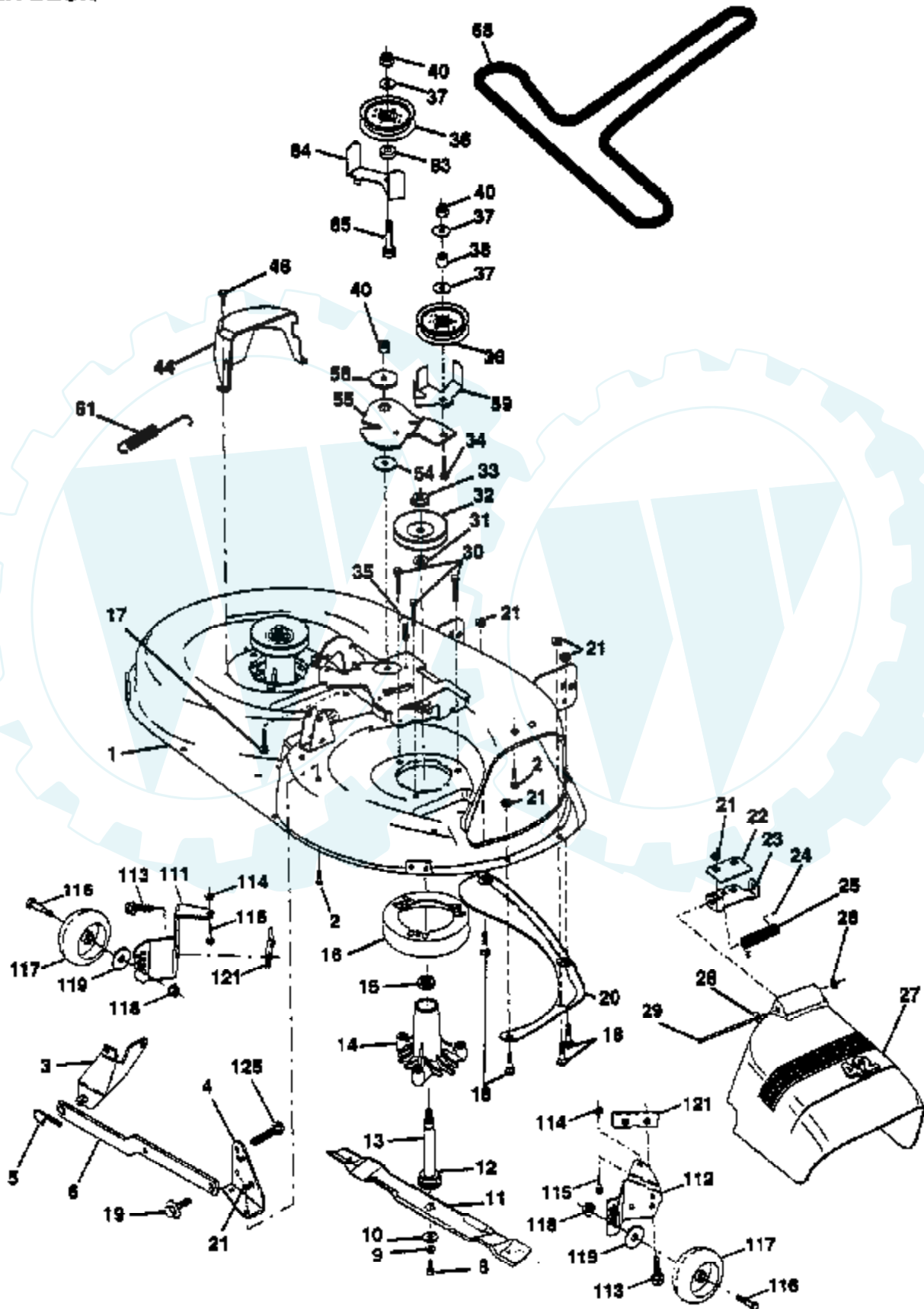


Ref #	Part Number	Qty	Description
1	136971		WIRE.ASM.INNER
2	136968		SHAFT.ASM.LIFT.RH
3	138284		PIN GROOVE
4	12000002		SUB= 2225J
5	19211621		WASHER
6	120183X		NYLON BEARING
7	125631X		GRIP HANDLE
8	124526X		SUB= 125925X
10	122512X		SUB= 532122512
11	139865		SUB= 918139865
12	139866		SUB= 151140
13	4939M		SUB= 85902
15	127218		LINK.FRONT
16	73350800		NUT
17	130171		TRUNION
18	73800800		NUT.LK.W/WSH.1/2.
19	139868		ARM SUSP REAR
20	3146R		RETAINER.SPRING
31	140302		BEARING PVT LH
32	73540600		NUT.CROWNLOCK.3/8



### TRACTOR -- MODEL NUMBER HD19H42A

### MOWER DECK





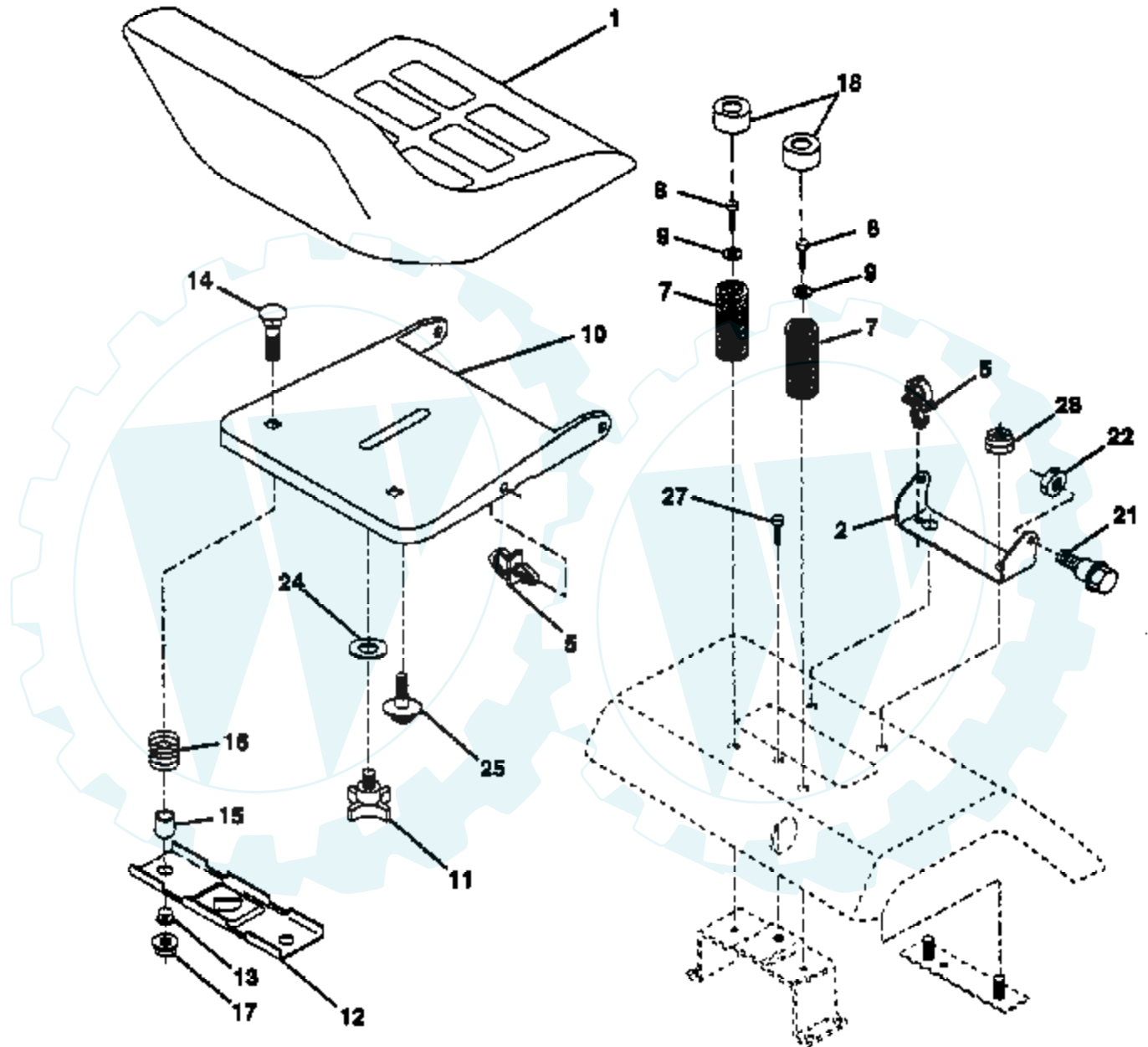
Ref #	Part Number	Qty	Description
1	144393		DECK.WELD.42.
2	72140506		BOLT
3	138017		BRKT ASM SWAY BAR
4	138440		BRKT DECK SW BAR
5	4939M		SUB= 85902
6	130832		SUB= 130833
8	850857		BLADE BOLT
9	10030600		SUB= 10040600
10	140296		WASHER.HARD.BLADE
11	138498		"BLADE.42"" HIPERF"
12	129895		BEARING.BALL
13	137645		SUB= 137646
14	128774		HSG ASM MANDREL
15	110485X		BEARING
16	140329		STRIPPER RND MWR
17	72110618		BOLT CARRIAGE
18	72140505		BOLT
19	132827		BOLT SHD 5/16-18
20	136888		SUB= 918136888
21	73680500		SUB= 73690500
22	134753		STIFFENER BRKT
23	131267		DEFLECTOR BRKT
24	105304X		CAP-SLEEVE LT
25	123713X		SPRING TORSION
26	110452X		NUT PUSH M
27	130968		DEFLECTOR.SHIELD
28	19111016		WASHER
29	131491		HINGE ROD
30	138776		SUB= 157722
31	129963		WASHER
32	129861		SUB= 153535
33	137266		SUB= 139729
34	72110622		BOLT
35	133835		XMAS TREE FASTNER
36	131494		FLAT IDLER PULLEY
37	19131316		WASHER
38	132823		SUB= 532132823
40	73680600		SUB= 73690600
44	140088		GUARD MAND LH BLK
46	137729		SCREW.1/4-20X5/8
54	133943		HARDENED WASHER
55	140084		SUB= 151785
56	122052X		SPACER RETAINER
59	141043		GUARD IDLER TUV
61	131950		SPRING.EXTENSION
68	144200		BELT.V.T-PATH
83	120958X		WASHER
84	144394		SUB= 156084
85	72140620		BOLT
111	140353		SUB= 155197
112	132262		SUB= 155198
113	17490512		SCREW
114	73510500		NUT
115	72110504		SUB= 872110504
116	146851		BOLT.SHOULDER
117	146850		WHEEL.GUAGE.MED.
118	73930600		LOCKNUT
119	19121414		WASHER

Ref #	Part Number	Qty	Description
121	143723		BRACKET.EXTRD.GWL
125	76020816		COTTER PIN
	130794		MANDREL ASM
	145024		SUB=164964



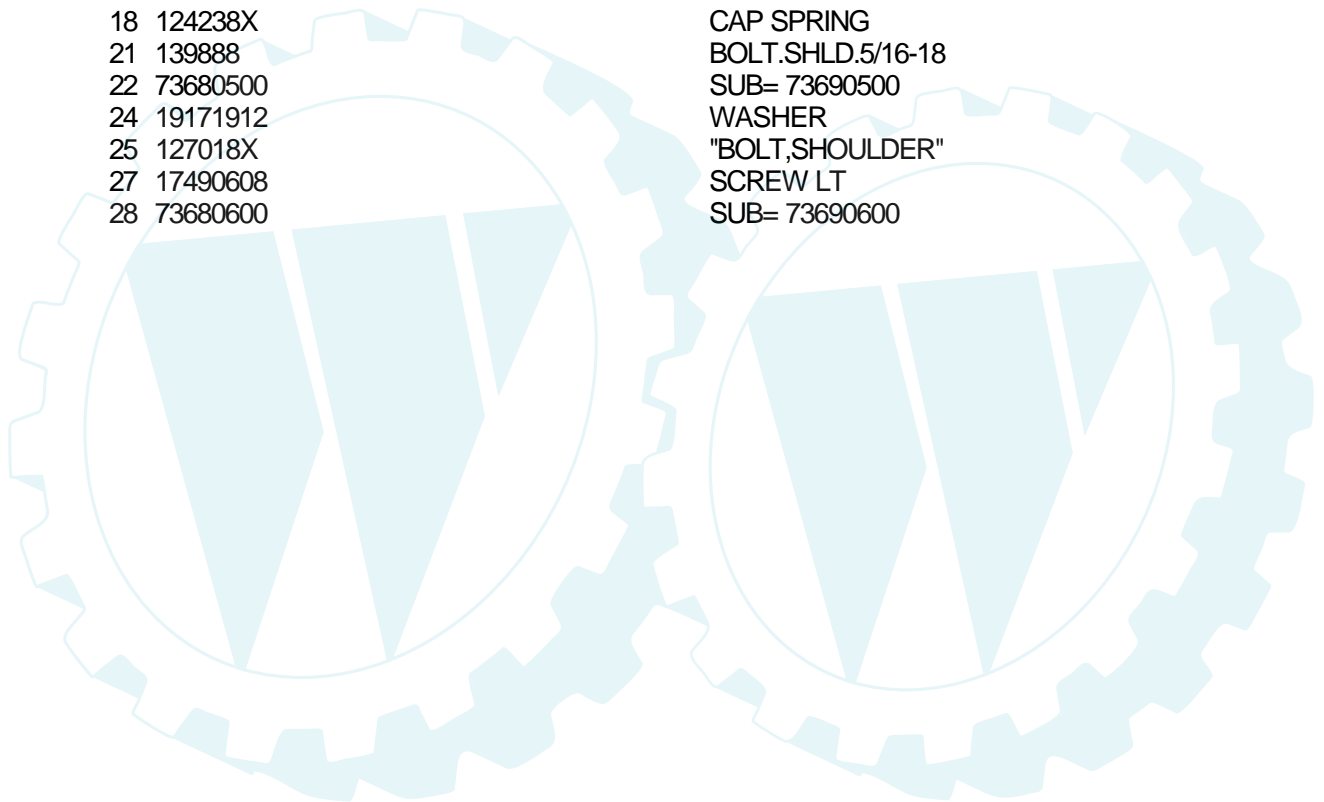
## TRACTOR -- MODEL NUMBER HD19H42A

### SEAT ASSEMBLY



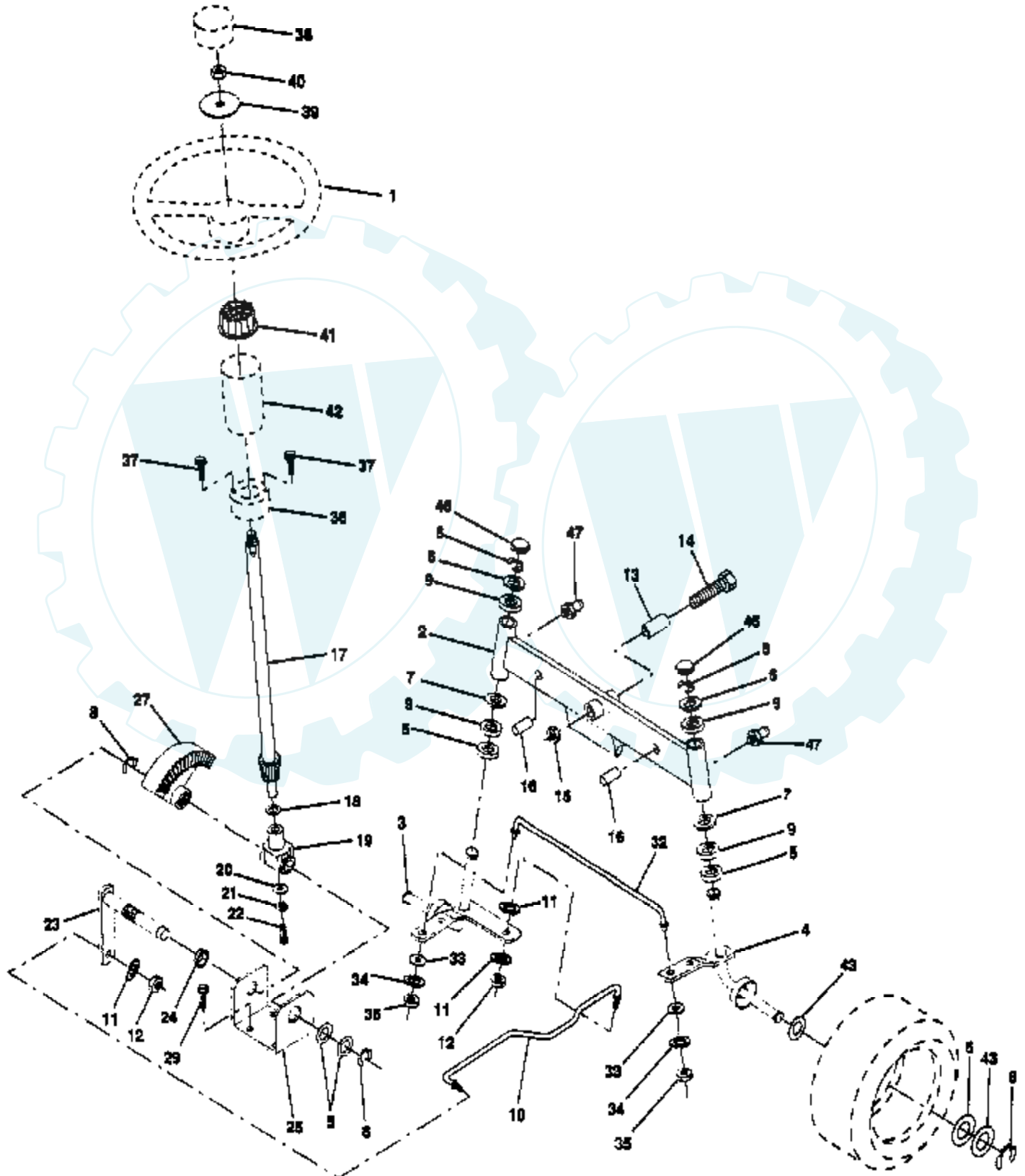
**NOTE:** All component dimensions given in U.S. inches  
1 inch = 25.4 mm

Ref #	Part Number	Qty	Description
1	140118		SEAT.2500/1516.BK
2	140551		BRACKET PVT SEAT
5	145006		CLIP.PUSH-IN.HING
7	124181X		SPRING COMPRESSIO
8	17490508		SCREW LT
9	19131614		WASHER
10	140552		SUB= 155925
11	120068X		"KNOB 1/2"" YT"
12	121246X		BRKT SWITCH
13	121248X		BUSHING
14	72050411		SUB= 872050411
15	121249X		SPACER SPLIT
16	123740X		SPRING COMPRESSED
17	123976X		SUB= 73900400
18	124238X		CAP SPRING
21	139888		BOLT.SHLD.5/16-18
22	73680500		SUB= 73690500
24	19171912		WASHER
25	127018X		"BOLT,SHOULDER"
27	17490608		SCREW LT
28	73680600		SUB= 73690600



## TRACTOR -- MODEL NUMBER HD19H42A

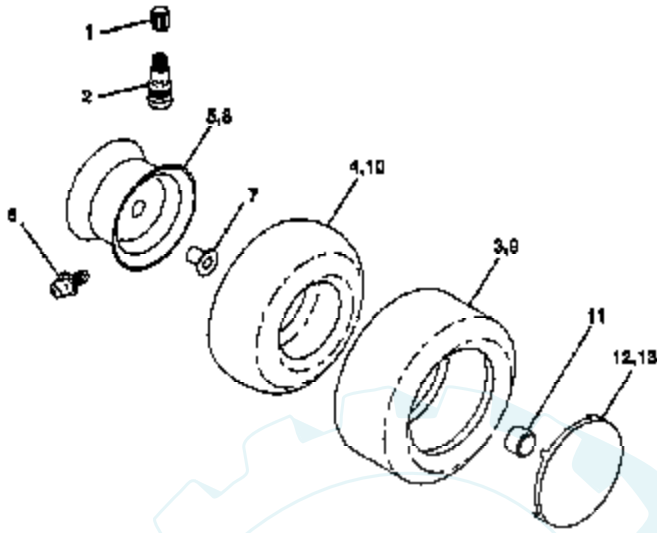
### STEERING ASSEMBLY



Ref #	Part Number	Qty	Description
1	140044		WHEEL STR AYP BLK
2	142033		AXLE ASM FRONT
3	135227		SPINDLE LH
4	135228		SPINDLE RH
5	6266H		WASHER .T
6	121748X		WASHER
7	19272016		WASHER
8	12000029		RING
9	3366R		COL. SRTG. BEAR.
10	130468		SUB= 532130468
11	10040600		LOCKWASHER
12	73610600		SUB= 7810H
13	110438X		BEARING
14	74011056		BOLT HEX 5/8-11
15	73901000		"NUT-LOC,FLANGE LT"
16	132624		AXLE PIN
17	128758		STEERING SHAFT
18	57079		THRUST WASHER
19	124035X		SUPPORT.SHAFT
20	126684X		SUB= 532126684
21	10040400		LOCKWASHER
22	71070410		"SCREW,SPECIAL"
23	127501		SUB= 918127501
24	109816X		NYLINER T
25	124036X		"BRKT,STEERING"
27	136874		GEAR SECTOR
29	17490612		SCREW
32	130467		TIE ROD
33	19111216		WASHER M
34	10040500		LOCKWASHER
35	73810500		NUT.LOCK.5/16-24
36	145207		BUSHING.STRG.3/4
37	17541008		SCREW.10-24X1/2
38	140045		CAP STEER AYP
39	100712K		WASHER
40	73940800		SUB= 73360800
41	100711L		ADAPTER LT
42	140216		BOOT SHAFT STEER
43	121749X		WASHER
46	121232X		CAP
47	6855M		ZERK M

## TRACTOR - - MODEL NUMBER HD2044A

### WHEELS AND TIRES



**NOTE:** All component dimensions given in U.S. Inches  
1 inch = 25,4 mm

Ref #	Part Number	Qty	Description
1	59192		VALVE CAP
2	65139		VALVE STEM LT
3	106230X		SUB= 122075X
4	59904		TUBE.5.3/4.5/6
5	106228X427		"RIM ASM 8" FRT"
6	278H		FITTING LT
7	9040H		"FLANGE, BEARING"
8	124074X427		RIM.REAR.
9	124106X		SUB= 138756
10	7154J		TUBE.23X8/10-12
11	104757X		HUB CAP
12	124578X		SUB= 532124578
13	124579X		SUB= 532124579
	144334		SEALANT.TIRE 10 OZ. TUBE

