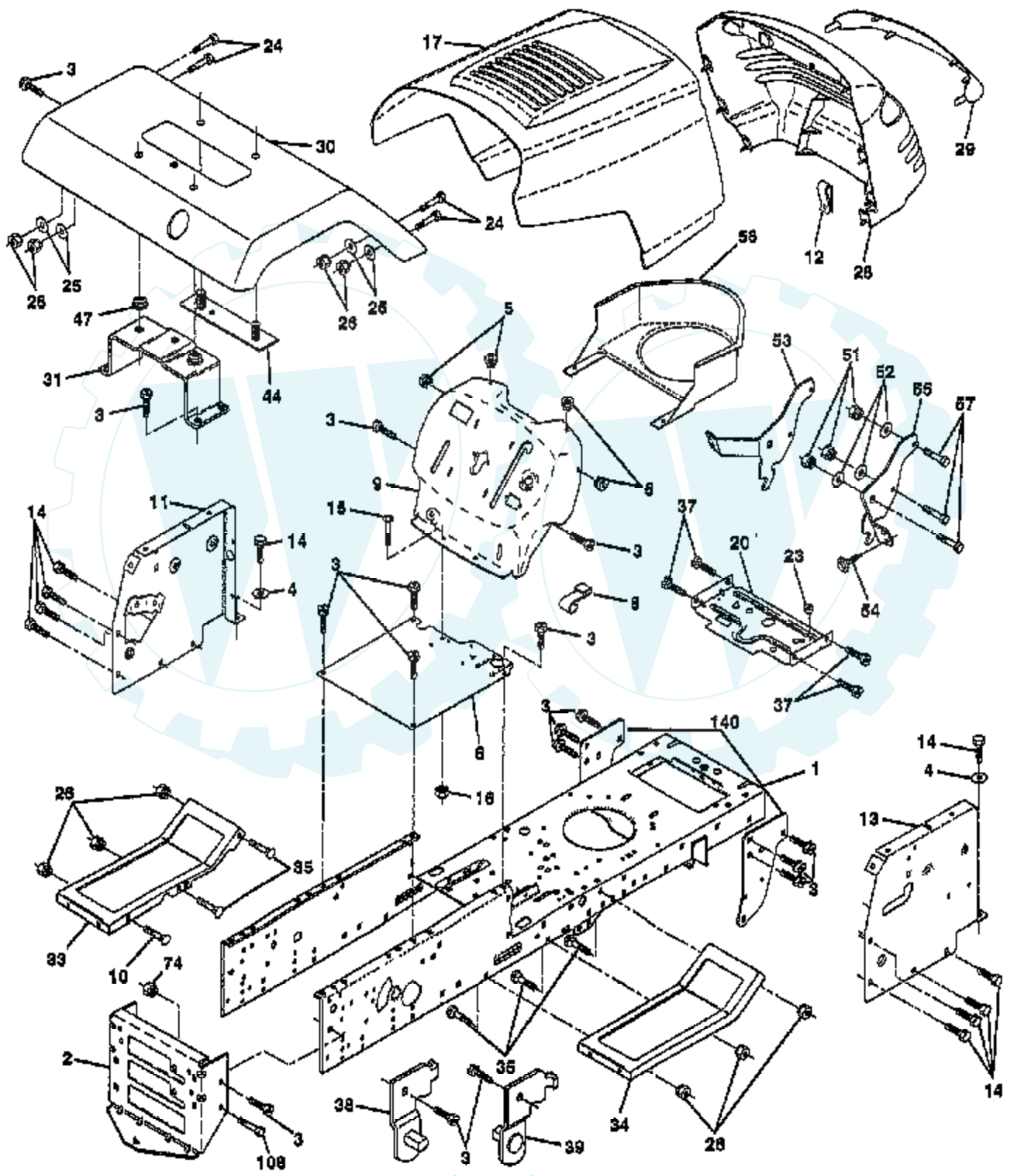


TRACTOR -- MODEL NUMBER HD185H46A

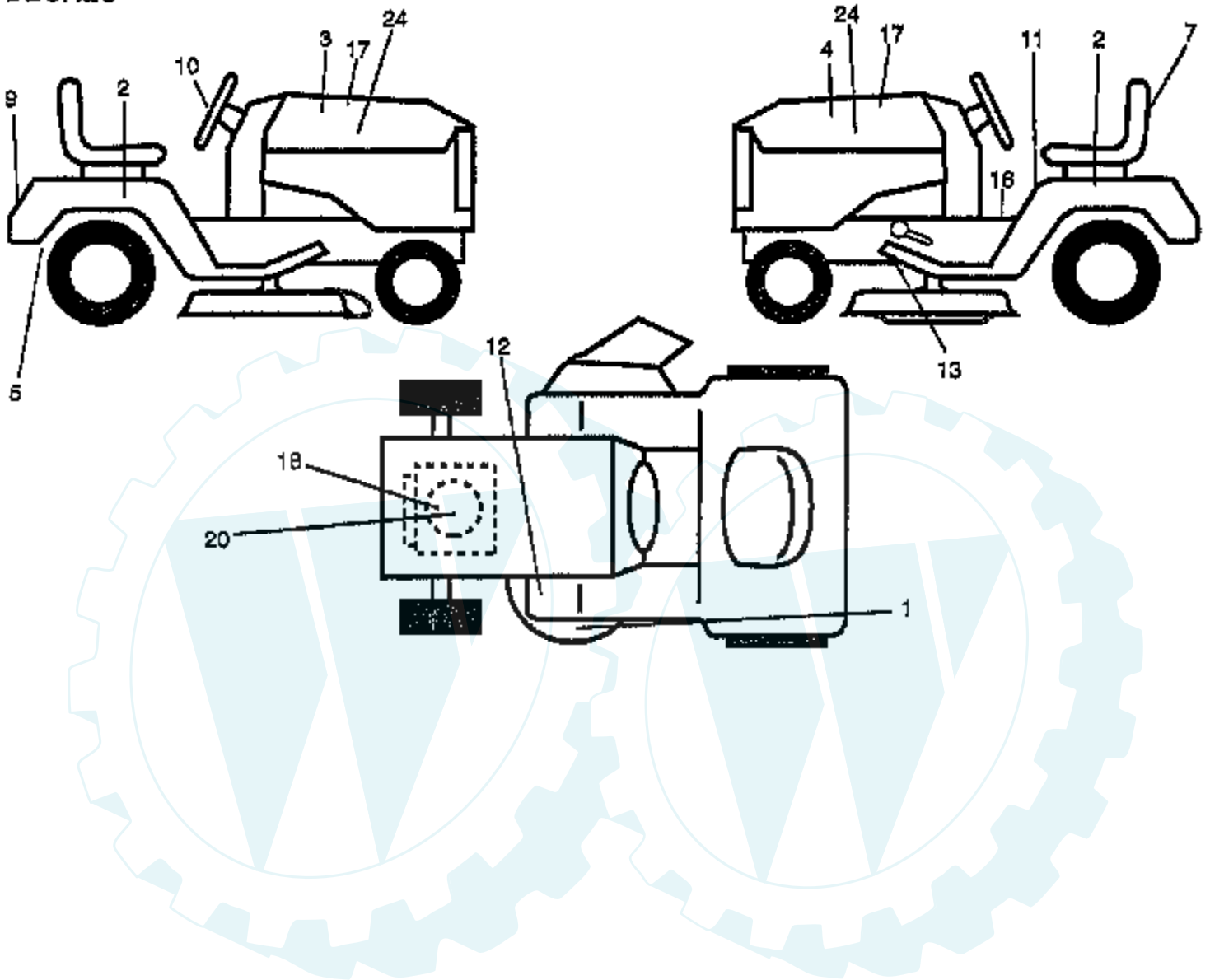
CHASSIS AND ENCLOSURES



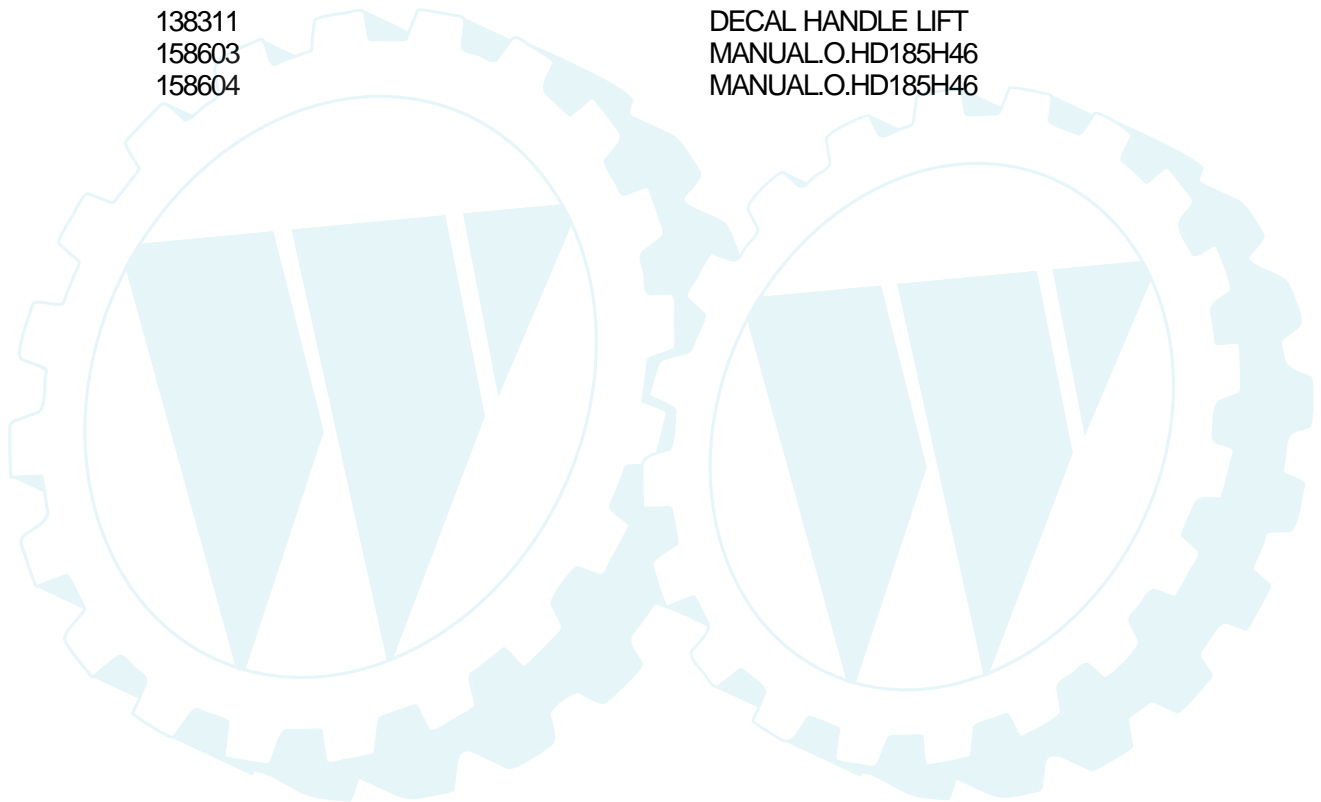
Ref #	Part Number	Qty	Description
1	155051		CHASSIS ASM
2	140356		SUB= 145009
3	17490612		SCREW
4	19131216		WASHER
5	155272		BUMPER-HOOD/DASH
6	155923		SADDLE
8	126471X		"CLIP,INSULATOR"
9	147633X011		DASH SILKSCREEN
10	72140608		SUB= 72110608
11	156682		PANEL ASM DASH LH
12	145660		CLIP.TINNERMAN
13	157230		PANEL DASH RH
14	17490608		SCREW LT
15	74180512		SCREW
16	73510500		NUT
17	139394X428		SUB= 159639X428
20	156437		"PLATE-MTG,BATT/FU"
23	124028X		SUB= 532124028
24	74780616		BOLT
25	19131312		WASHER
26	73800600		NUT
28	157373		GRILLE-MS428
29	140273		LENS GRILLE
30	140002X428		"FENDER WS,FTK"
31	137113		BRKT.ASM.FENDER
33	145244X428		FOOTREST PNT LH
34	145243X428		FOOTREST.RH.LT/GT
35	72110606		BOLT
37	17490508		SCREW LT
38	139886		BRACKET ASM LH
39	139887		BRACKET ASM RH
44	140675		STRAP ASM FENDER
47	105531X		NUT-PUSH YT
51	73800400		NUT
52	19091416		WASHER
53	144697		BRACKET.GRILLE.LH
54	17030814		SUB= 91817030814
55	144696		BRACKET.GRILLE.RH
57	74780412		SUB= 74780414
58	140547		DUCT.AIR.B&S.18HP
74	73680600		SUB= 73690600
108	74760612		SUB= 74780612
140	158418		BRKT SUSPENSION

TRACTOR - - MODEL NUMBER HD185H46A

DECALS

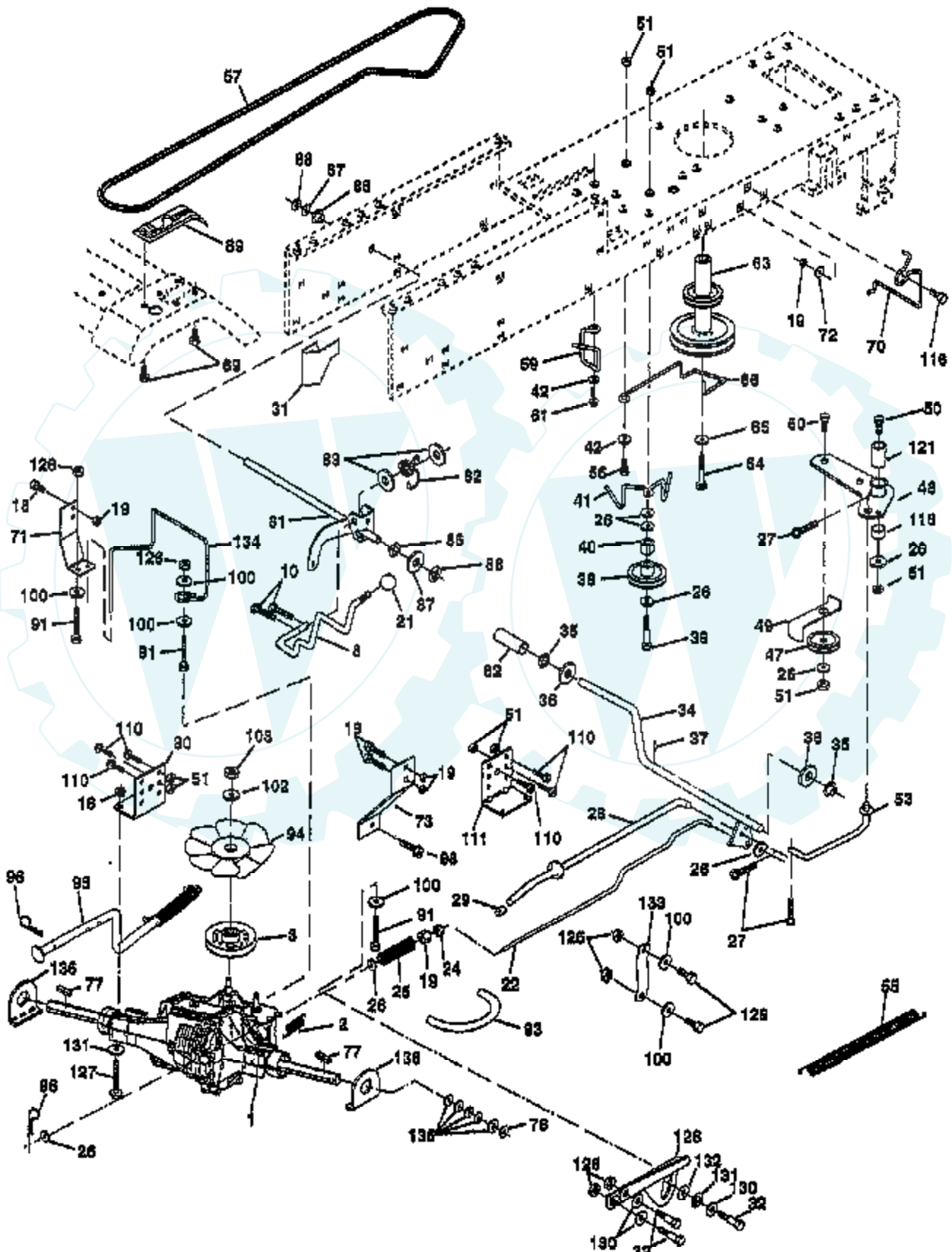


Ref #	Part Number	Qty	Description
1	158169		"DECAL DECK,MULCH"
2	158434		DECAL FENDER SIDE
3	158432		"DECAL-HOOD,RH"
4	158433		DECAL HOOD LH
5	142341		DECAL DRAWBAR LH
7	158317		DECAL SEAT REPLCM
9	158166		"DECAL FENDER,LOGO"
10	158168		"DECAL WHEEL,STEER"
11	157141		"DECAL FENDER,DANG"
12	141897		DECAL CLUT/BRAKE
13	139346		"DECAL.V.BELT.44""
18	273284		DECAL, HP ENGINE
20	158318		DECAL ENG REPLCMT
	133671		FOOTREST PAD
	138311		DECAL HANDLE LIFT
	158603		MANUAL.O.HD185H46
	158604		MANUAL.O.HD185H46



TRACTOR -- MODEL NUMBER HD185H46A

DRIVE

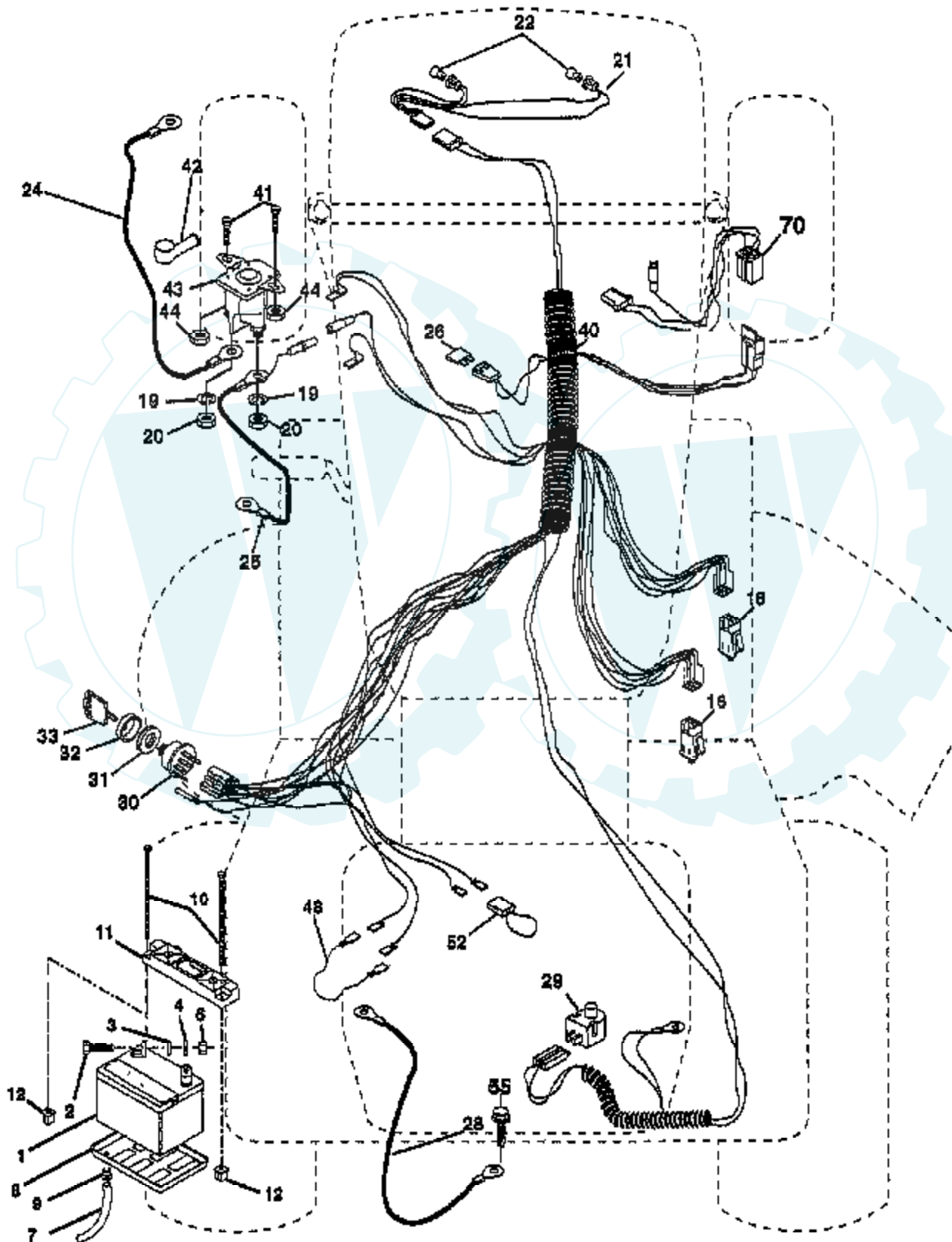


Ref #	Part Number	Qty	Description
1			REFER TO IMAGE
2	142431		SPRING RET BRAKE
3	143995		PULLEY.TRANSAXLE
8	141002		ROD SHIFT FEND YT
10	76020416		PIN COTTER 1/8
15	74490544		BOLT.HX.FLG.5/16
16	73800500		NUT
18	74780616		BOLT
19	73800600		NUT
21	106933X		KNOB T (1/2-HOLE)
22	158274		BRAKE.ROD.HYDRO.
24	73350600		NUT
25	106888X		SPRING ROD LT
26	19131316		WASHER
27	76020412		COTTER PIN
28	145204		ROD.BRAKE.PARK.LT
29	71673		PLUNGER CAP T
30	123780X		BRKT TRANS LH
31	123791X		KEEPER BELT LH
32	74760512		BOLT
34	155071		SHAFT ASM-PEDAL F
35	120183X		NYLON BEARING
36	19211616		WASHER LT
37	1572H		SUB= 2882J
38	123674X		PULLEY.IDLER.FLAT
39	74760644		BOLT
40	4470J		SPACER T
41	154777		SUB= 165692
42	19131312		WASHER
47	127783		SUB= 139245
48	123789X		ARM IDLER
49	123205X		RETAIN BELT
50	74760624		SUB= 74930624
51	73680600		SUB= 73690600
53	105710X		"LINK, CLUTCH T"
55	105709X		"SPRING, RETURN LT"
56	74760620		SUB= 74780620
57	158306		SUB= 137675
59	140312		KEEPER BELT CNTSP
61	17490612		SCREW
62	8883R		PEDAL COVER T
63	140186		PULLEY.ENGINE
64	71170764		BOLT
65	10040700		LOCKWASHER
66	154778		KEEPER-BELT
69	142432		SCREW HEXWSH H-L
70	156470		"GUIDE.BELT,RH ENG"
71	158283		STRAP.TORQUE.LH.HYDRO
72	19132012		WASHER
73	158282		STRAP.TORQUE.RH.HYDRO
76	12000053		E RING HYT
77	9396E		SQ KEY STD
81	158281		SHAFT ASM. CROSS HYDRO 20" TIRES
82	123782X		"SPRING,TORSION"
83	19171216		WASHER
84	140548		ROD.TIE.BALL.4.75
86	71208		BUSHING
87	19212016		WASHER D

Ref #	Part Number	Qty	Description
88	12000008		KLIP RING
89	151146		SUB= 164892
91	74780536		NLA
93	142564		"LINE FUEL HYD 4""
94	140462		"FAN 7"" HYDRO"
95	158508		CONTROL.ASM.BYPAS
96	4497H		RETAINER M
97	140469		BOLT KEEPER RH
100	19111216		WASHER M
102	141322		WASHER BELLEVILLE
103	73940800		SUB= 73360800
110	74760612		SUB= 74780612
111	123776X		BRKT TRANS RH
116	72110610		BOLT RDHD 3/8-16
118	154774		SPACER-BELLCRANK
121	154419		NYLINER-CLUTCHING
122	156963		"PLATE-BYPASS,PVST"
123	19081016		WASHER
124	156967		SPRING RETURN
125	74780516		SUB= 77394
126	1685H		SUB= 68478
127	74490548		BOLT.HEX.FLGHD.
128	158284		BRKT NEUTRAL ADJ
129	139888		BOLT.SHLD.5/16-18
130	126591X		"WSHER,SHIM"
131	10040800		LOCKWASHER
132	19111816		SUB= 52915
133	158279		SUB= 159697
134	158278		"KEEPER BELT,RH"
135	12800X		WASHER 1-1/32 X 1/5/8 X16 GA.
136	158531		WASHER AXLE HYDRO

TRACTOR -- MODEL NUMBER HD185H46A

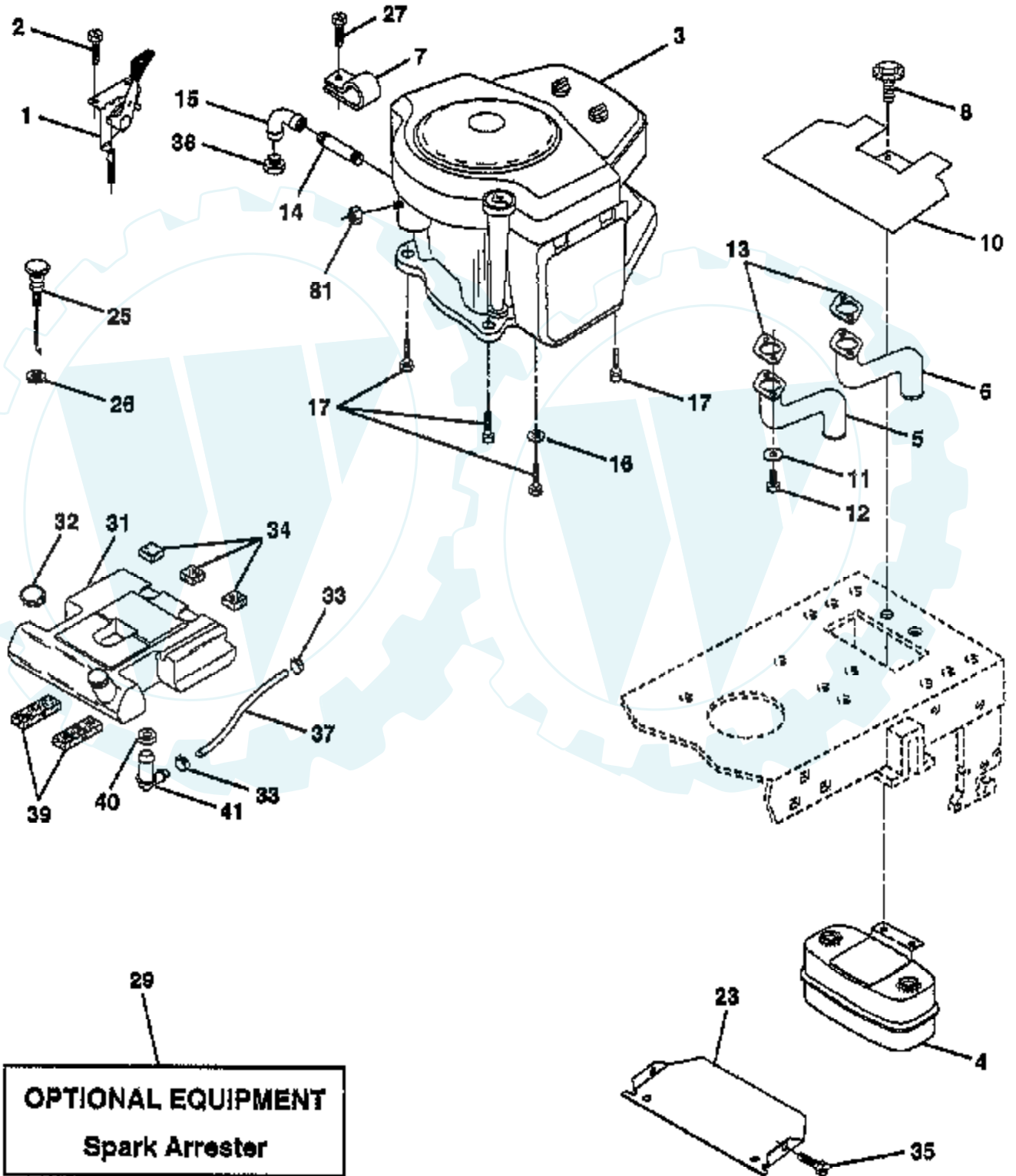
ELECTRICAL



Ref #	Part Number	Qty	Description
1	146140		SUB= 123899X
2	74760412		BOLT LT
3	19091016		WASHER
4	10040400		LOCKWASHER
6	73220400		SUB= 50675
7	7697J		"DRAIN TU T, BATT"
8	7603J		"TRAY T, BATTERY"
9	109596X		HOSE CLAMP T
10	145211		SUB= 150177
11	150109		HOLDDOWN BATTERY
12	145769		SUB= 150177
16	153664		SWITCH INTERLOCK
19	10090400		SUB= 10040400
20	73350400		NUT
21	136850		"HARNES,LIGHT SOC"
22	4152J		HEADLAMP BULB
24	4799J		"CABLE T, BATTERY"
25	146148		CABLE.6GA.22W/16W
26	108824X		FUSE HYT
28	145491		CABLE.GRND.6GA.21
29	121305X		SWITCH SEAT
30	140301		SWITCH IGN 4POS
31	124211		SUB= 124211X
32	141226		COVER KEY SWITCH
33	122147X		KEY
40	156442		HARNES-IGNITION
41	71110408		BOLT HXHD FIN
42	131563		SUB= 154336
43	145673		SUB= 146154
44	73640400		NUT HXKEP 1/4X20
45	121433X		SUB= 122822X
55	17490508		SCREW LT
70	140413		HARNES ENG DUAL

TRACTOR - - MODEL NUMBER HD185H46A

ENGINE

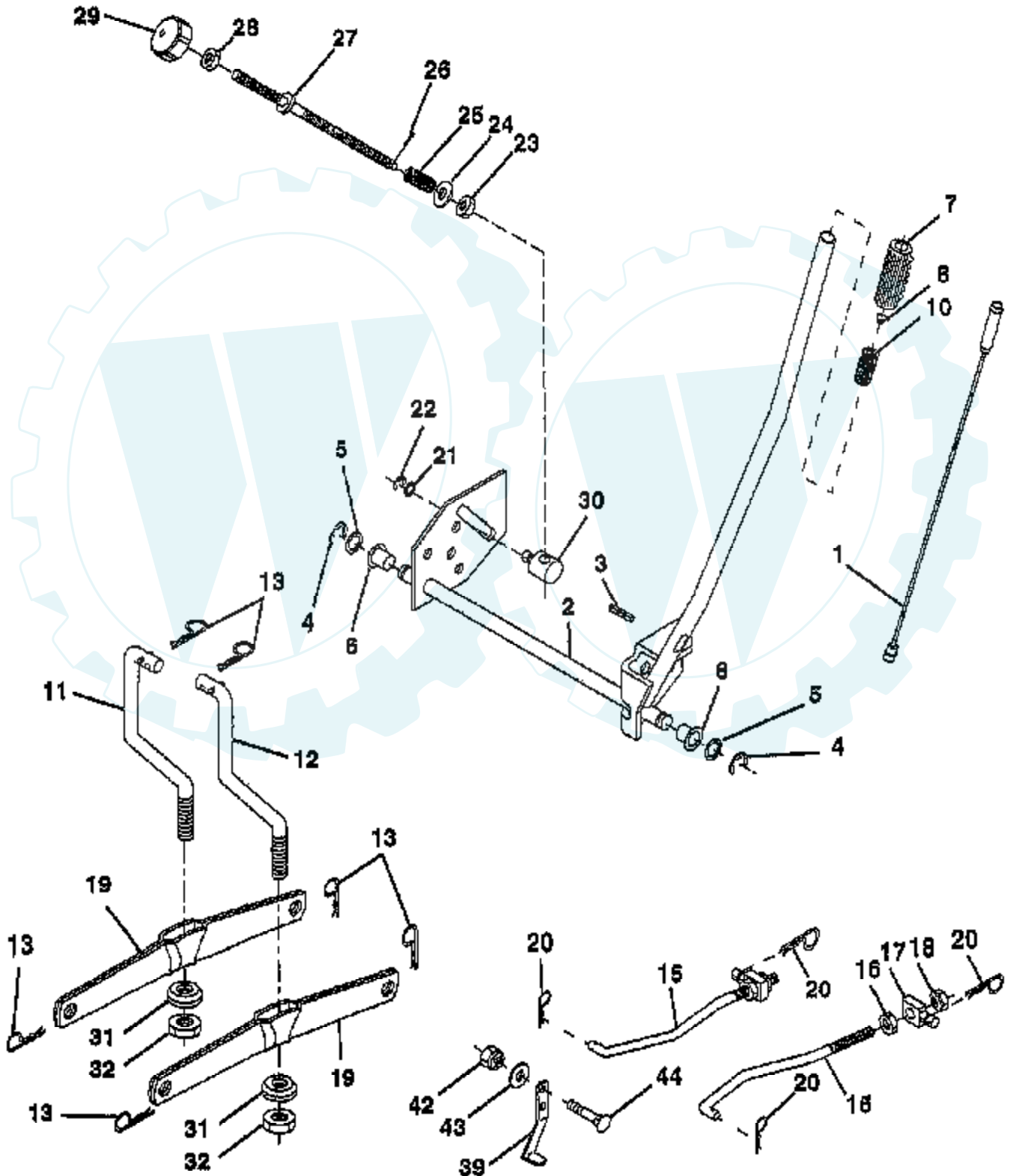


OPTIONAL EQUIPMENT
Spark Arrester

Ref #	Part Number	Qty	Description
1	141295		CONTROL THRT 35.5
2	17720410		SCREW LT
3			REFER TO IMAGE
4	149723		MUFFLER.TW.LOTONE
5	144068		EXHAUST.B&S.18.RH
6	144069		EXHAUST.B&S.18.LH
7	138129		CLAMP.TUBE.DBL.EN
8	150176		BOLT.5/16-18.UNC
10	145552		SHIELD.HEAT.
11	STD551125		WASHER
12	STD522507		BOLT FIN HEX 1/4-20UNC X 75
13	272250		GASKET MUFFLER
14	13280336		PIPE NIPPLE LT
15	13200300		ELBOW
16	STD551237		WASHER
17	17490624		SCREW LT
23	156123		SHIELD-HEAT
25	145996		CONTROL.CHOKE.37
26	73920600		"NUT,KEPS 3/8-24IM"
27	152927		"SCREW-TT,10-32 FL"
29	137180		SUB= 532137180
31	151346		TANK FUEL REAR
32	140527		CAP ASM FUEL
33	123487X		HOSE CLAMP
34	106082X		PAD-SPACER LT
35	17490512		SCREW
37	8543R		FUEL LINE T
38			REFER TO IMAGE
39	109227X		PAD IDLER TI
40	3645J		BUSHING OUTLET T
41	139277		STEM.TANK.FUEL
81	128861		NUT

TRACTOR - - MODEL NUMBER HD185H46A

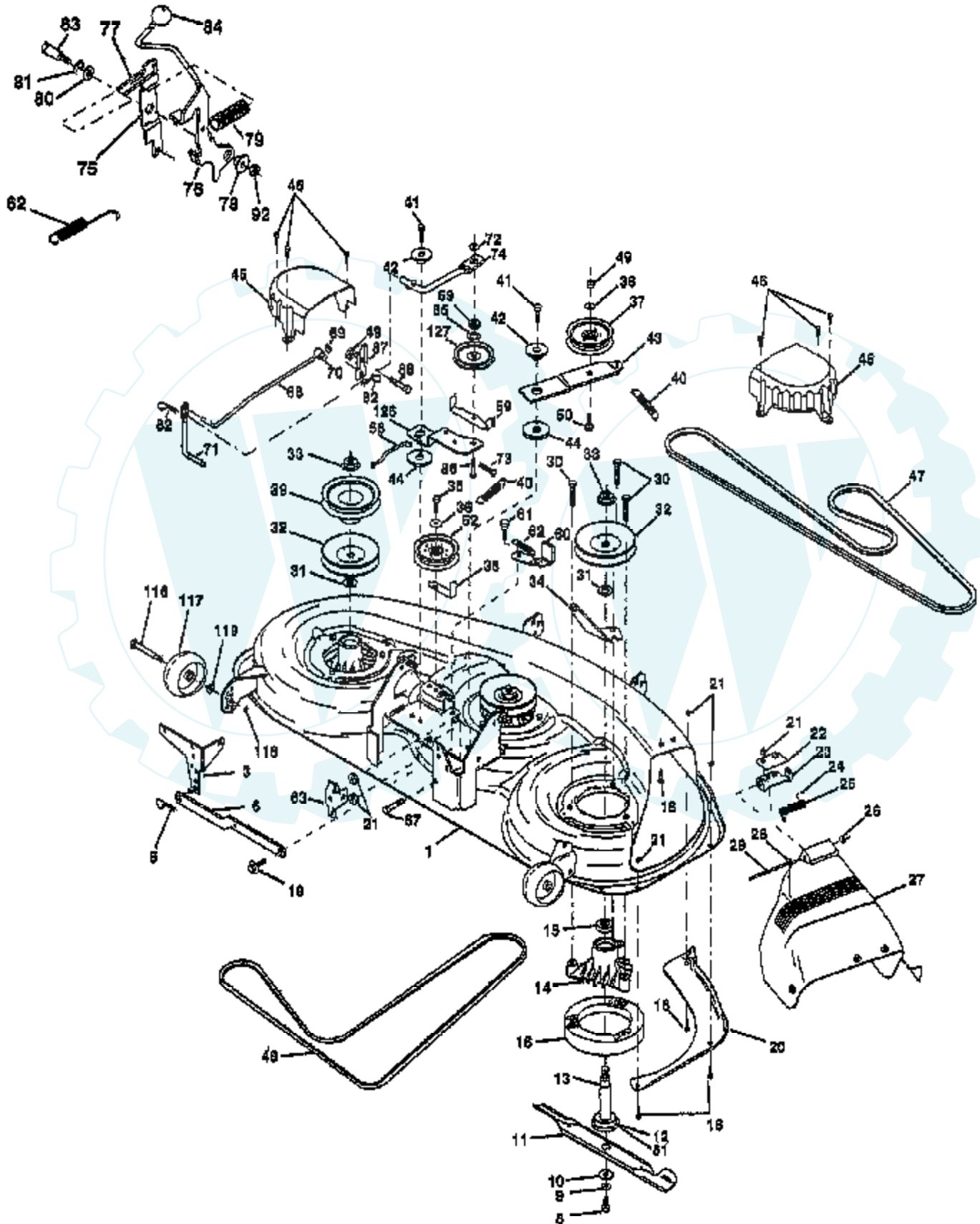
LIFT



Ref #	Part Number	Qty	Description
1	121006X		LEVER ROD LT
2	140673		SHAFT LIFT W/IND
6	74780624		"BOLT,HEX"
7	109413X		GRIP
8	124526X		SUB= 125925X
9	122364X		SUB= 125925X
10	2876H		SPRING T
11	145537		LINK.LIFT.LH.GTV
12	145536		LINK.LIFT.RH.GTV.
13	STD624008		RETAINER RING
14	121002X		SUB= 123096X
15	127218		LINK.FRONT
16	73350800		NUT
17	130171		TRUNION
18	STD541450		NUT, LOCK W/WSH 1/2-13
19	139868		ARM SUSP REAR
20	STD624008		RETAINER RING
23	110807X		NUT T
24	STD551037		WASHER
25	2876H		SPRING T
26	STD560907		PIN, COTTER 3/32 X 1/2
27	126971X		SUB= 532126971
28	STD541237		NUT
29	138057		KNOB INF 3/8-16
30	150233		TRUNNION
31	140302		BEARING PVT LH
32	73540600		NUT.CROWNLOCK.3/8
39	142992		STOP.OVER.CENTER
42	STD541437		NUT
43	19131612		WASHER GT
44	STD533710		BOLT CARRIAGE 3/8-16 X 1.00
46	12000022		E-RING
47	19292016		WASHER
49	145212		NUT.HXFLG.LOCK.
50	110452X		NUT PUSH M

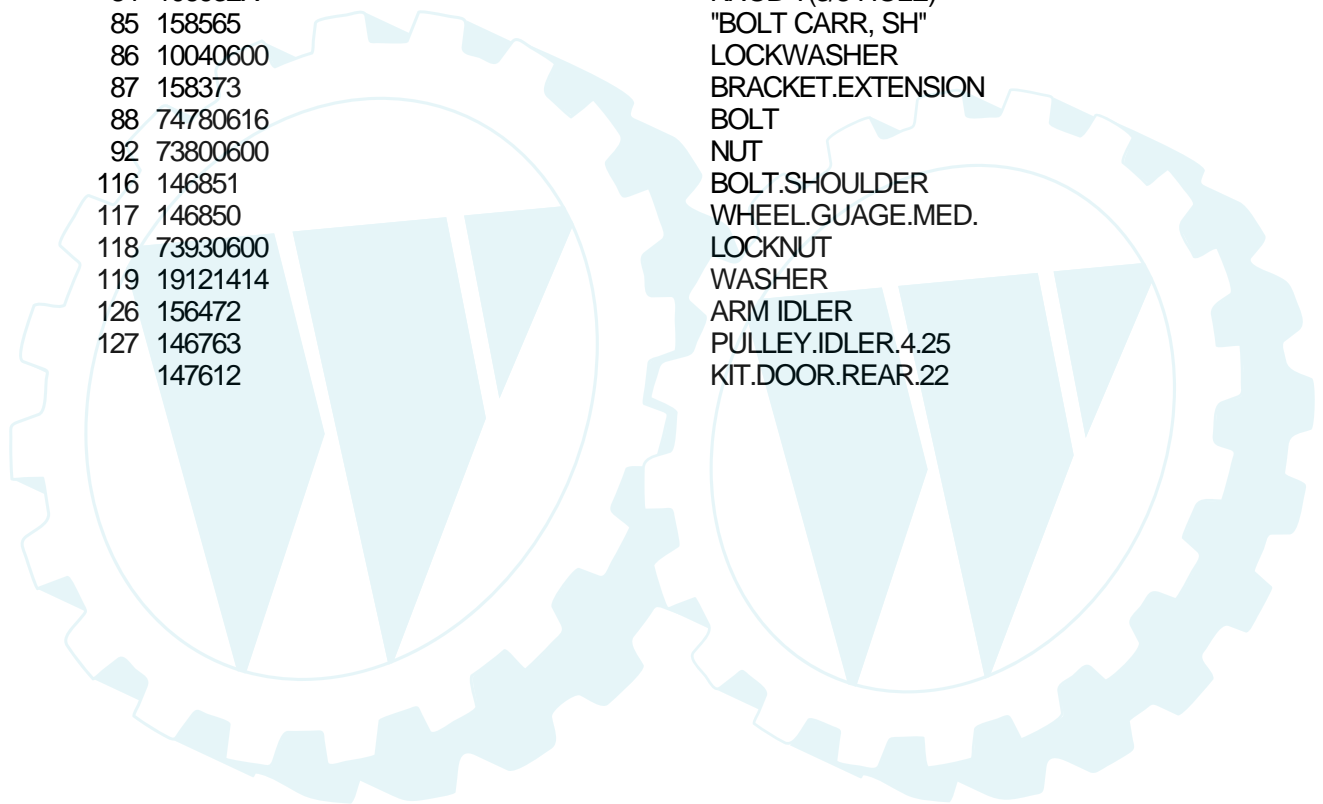
TRACTOR -- MODEL NUMBER HD185H46A

MOWER DECK



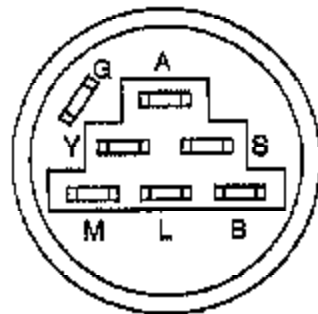
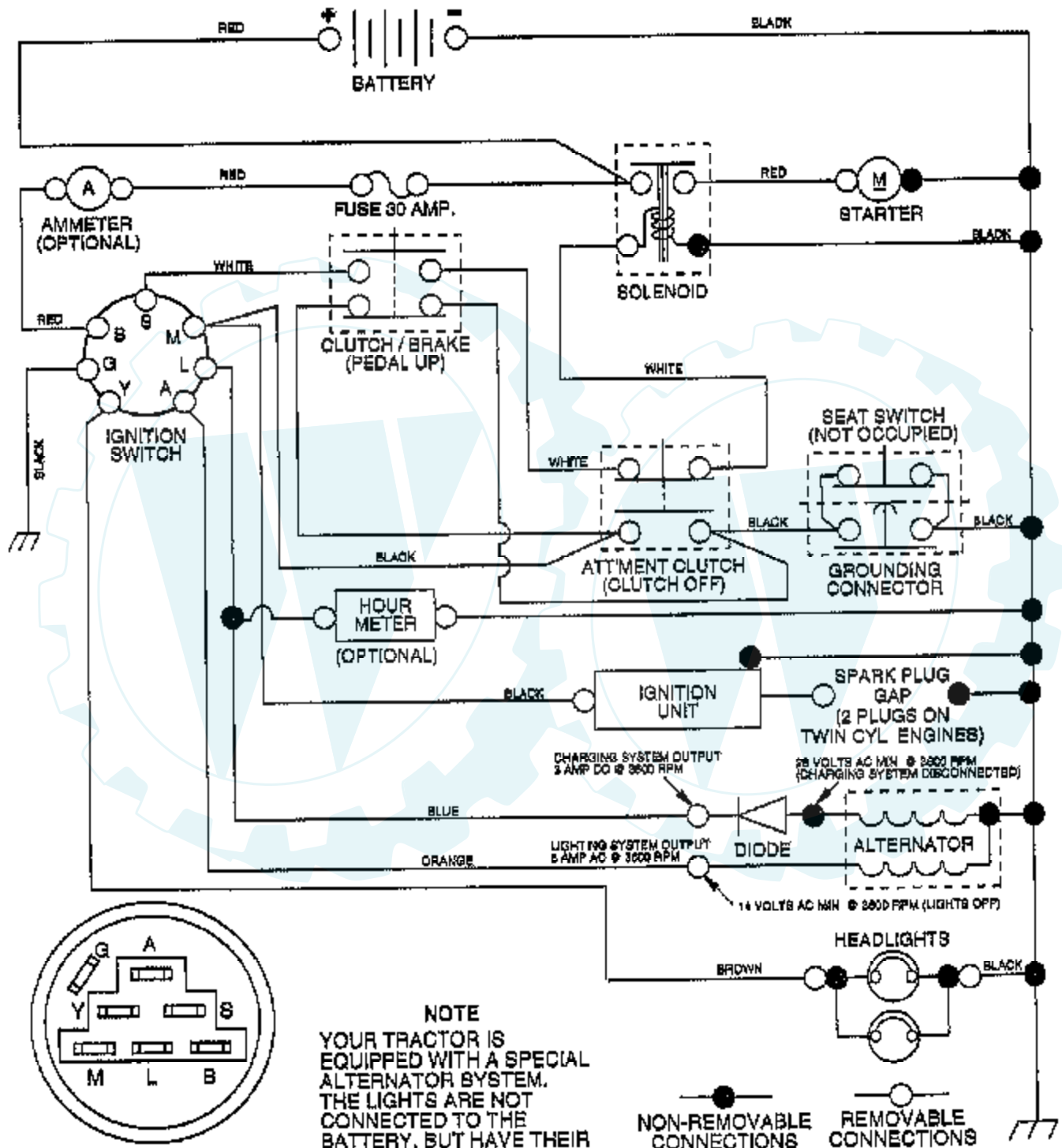
Ref #	Part Number	Qty	Description
1	156948		"MOWER ASM 46""
3	138457		BRKT.ASM.SW.44/50
5	4939M		SUB= 85902
6	130832		SUB= 130833
8	850857		BLADE BOLT
9	10030600		SUB= 10040600
10	140296		WASHER.HARD.BLADE
11	157353		SUB= 159705
12	129895		BEARING.BALL
13	137553		SHAFT.ASM.W/BRNG
14	137152		HOUSING.MAND.44.V
15	110485X		BEARING
16	140329		STRIPPER RND MWR
18	72140505		BOLT
19	132827		BOLT SHD 5/16-18
20	145055		BAFFLE.VORTEX.46
21	73680500		SUB= 73690500
22	134753		STIFFENER BRKT
23	131267		DEFLECTOR BRKT
24	105304X		CAP-SLEEVE LT
25	123713X		SPRING TORSION
26	110452X		NUT PUSH M
27	157788		SHIELD DEFLECTOR
28	19111016		WASHER
29	131491		HINGE ROD
30	138776		SUB= 157722
31	129963		WASHER
32	153531		PULLEY.MAND.36/46
33	137266		SUB= 139729
34	144945		ANCHOR.SPRING.46
35	17490628		SCREW LT
36	19131316		WASHER
37	131494		FLAT IDLER PULLEY
38	156086		"KEEPER BELT,IDLER"
39	144917		PULLEY.DRV.DCK.46
40	137273		"SPRING.SEC.44""VEN"
41	17490620		SCREW
42	122052X		SPACER RETAINER
43	144949		ARM.IDLER.DECK.46
44	133943		HARDENED WASHER
45	145059		COVER.MANDREL.46
46	137729		SCREW.1/4-20X5/8
47	144959		BELT-V.SEC.46.KEL
48	158818		V BELT MOWER
49	73680600		SUB= 73690600
50	72110612		BOLT.3/8-16X1.50
51	153390		WASHER.FELT.
52	156493		"PULLEY IDLER,FLAT"
58	156488		"LINK BRAKE, 43""
59	157034		"GUIDE BELT,46""MOW"
60	156722		ARM ASM BRAKE
61	139888		BOLT.SHLD.5/16-18
62	131870		RETURN SPRING
63	156473		"BRKT ROD,CLUTCH"
67	74760512		BOLT
68	156487		SUB= 157060
69	73350600		NUT
70	142028		TRUNION ADJ

Ref #	Part Number	Qty	Description
71	133551		PIVOT ROD
72	19131312		WASHER
73	76020412		COTTER PIN
74	156474		LINK CLUTCH
75	127847		CLUTCH ARM SECOND
76	154809		LEVER ASM-CLUTCH
77	127809		KEEPER SPRING
78	127498		BUSHING
79	153701		SPRING.CLUTCH.MWR
80	121748X		WASHER
81	12000029		RING
82	4497H		RETAINER M
83	128903		SHOULDER BOLT
84	106932X		KNOB T(3/8 HOLE)
85	158565		"BOLT CARR, SH"
86	10040600		LOCKWASHER
87	158373		BRACKET.EXTENSION
88	74780616		BOLT
92	73800600		NUT
116	146851		BOLT.SHOULDER
117	146850		WHEEL.GUAGE.MED.
118	73930600		LOCKNUT
119	19121414		WASHER
126	156472		ARM IDLER
127	146763		PULLEY.IDLER.4.25
	147612		KIT.DOOR.REAR.22



TRACTOR - - MODEL NUMBER HD185H46A

SCHEMATIC



IGNITION SWITCH

POSITION	CIRCUIT	"MAKE"
OFF	G + M + L	NONE
RUN/LIGHT	B + L	A + Y
RUN	B + L	NONE
START	B + L + G	NONE

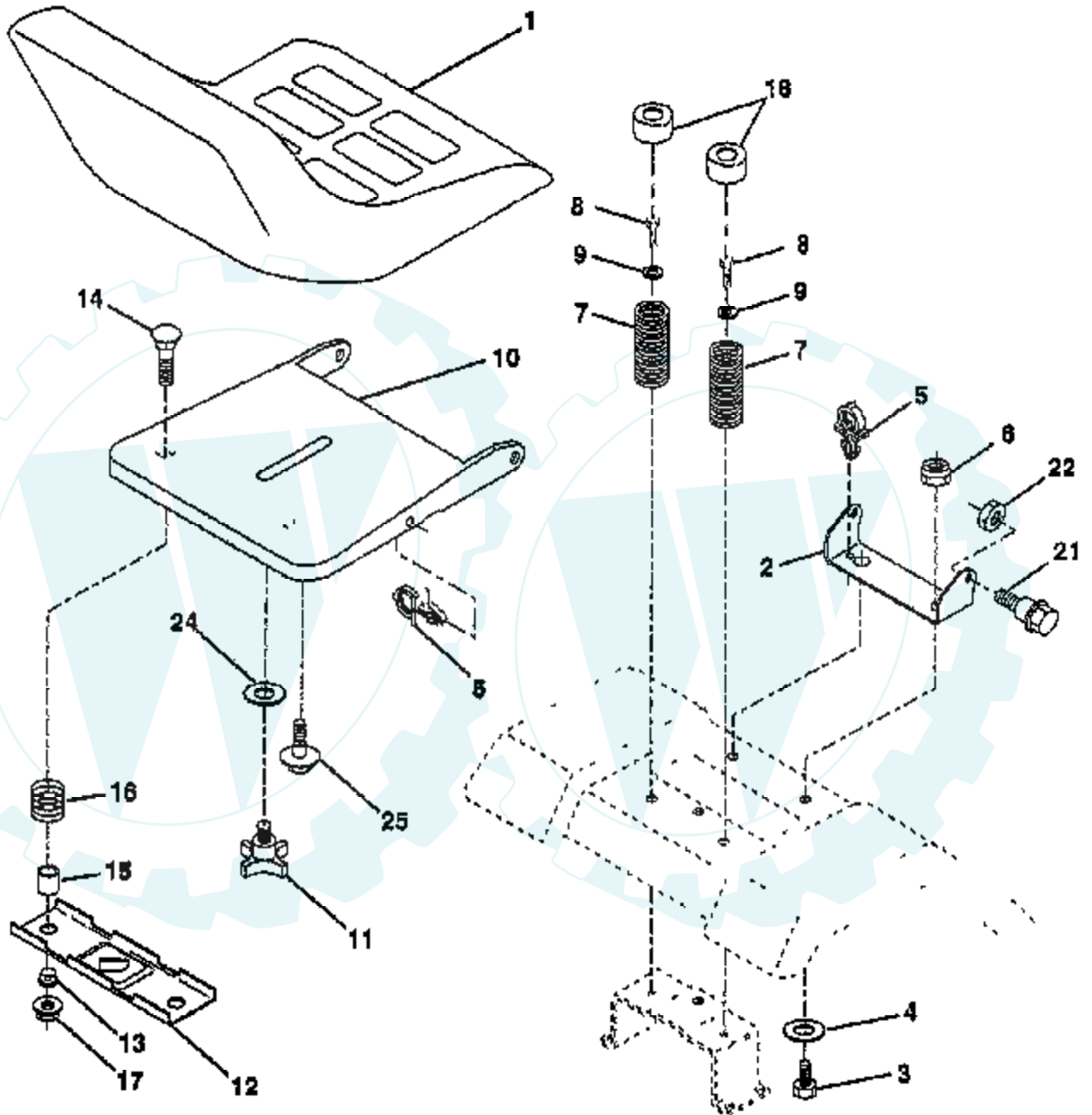
NOTE
YOUR TRACTOR IS EQUIPPED WITH A SPECIAL ALTERNATOR SYSTEM. THE LIGHTS ARE NOT CONNECTED TO THE BATTERY, BUT HAVE THEIR OWN ELECTRICAL SOURCE. BECAUSE OF THIS, THE BRIGHTNESS OF THE LIGHTS WILL CHANGE WITH ENGINE SPEED. AT IDLE THE LIGHTS WILL DIM. AS THE ENGINE IS SPEEDED UP, THE LIGHTS WILL BECOME THEIR BRIGHTEST.

NON-REMOVABLE CONNECTIONS REMOVABLE CONNECTIONS

WIRING INSULATED CLIPS
NOTE: IF WIRING INSULATED CLIPS WERE REMOVED FOR SERVICING OF UNIT, THEY SHOULD BE REPLACED TO PROPERLY SECURE YOUR WIRING.

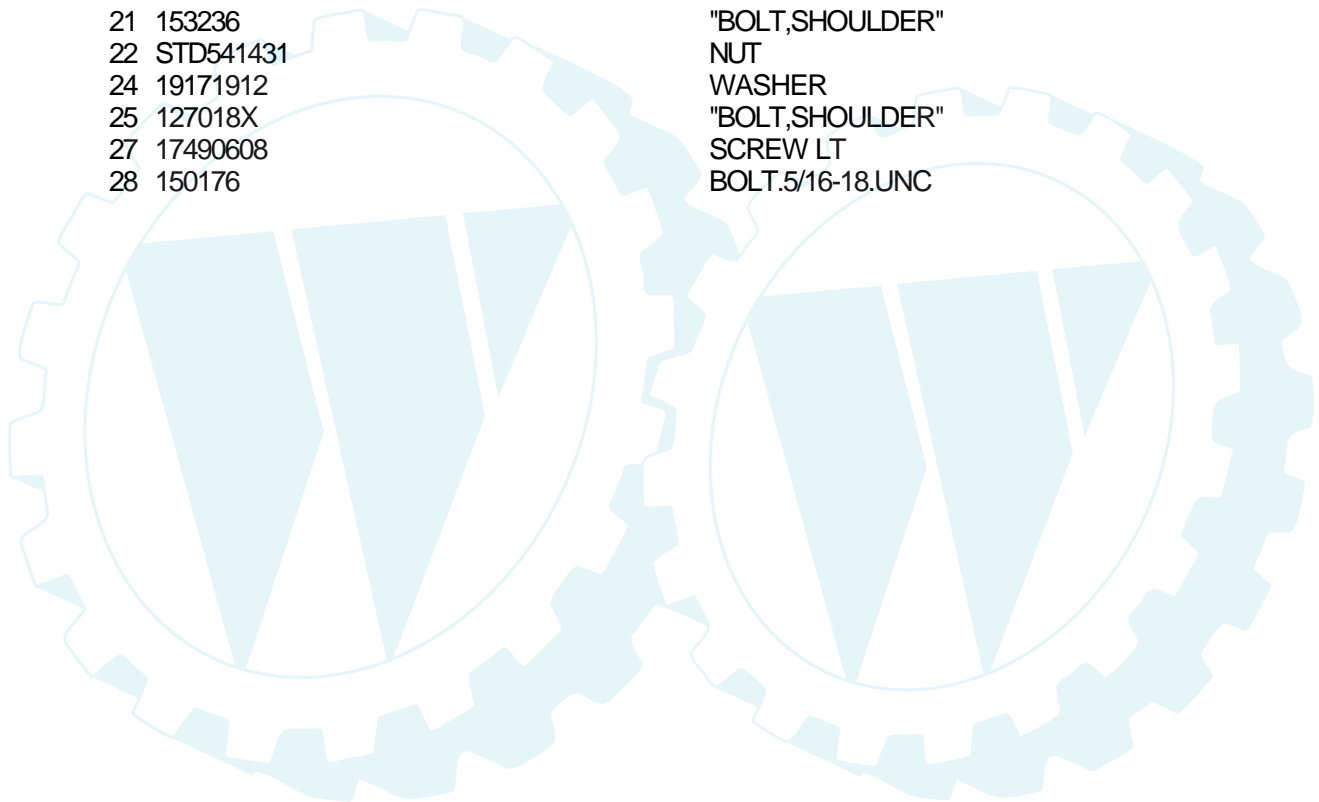
TRACTOR - - MODEL NUMBER HD185H46A

SEAT ASSEMBLY



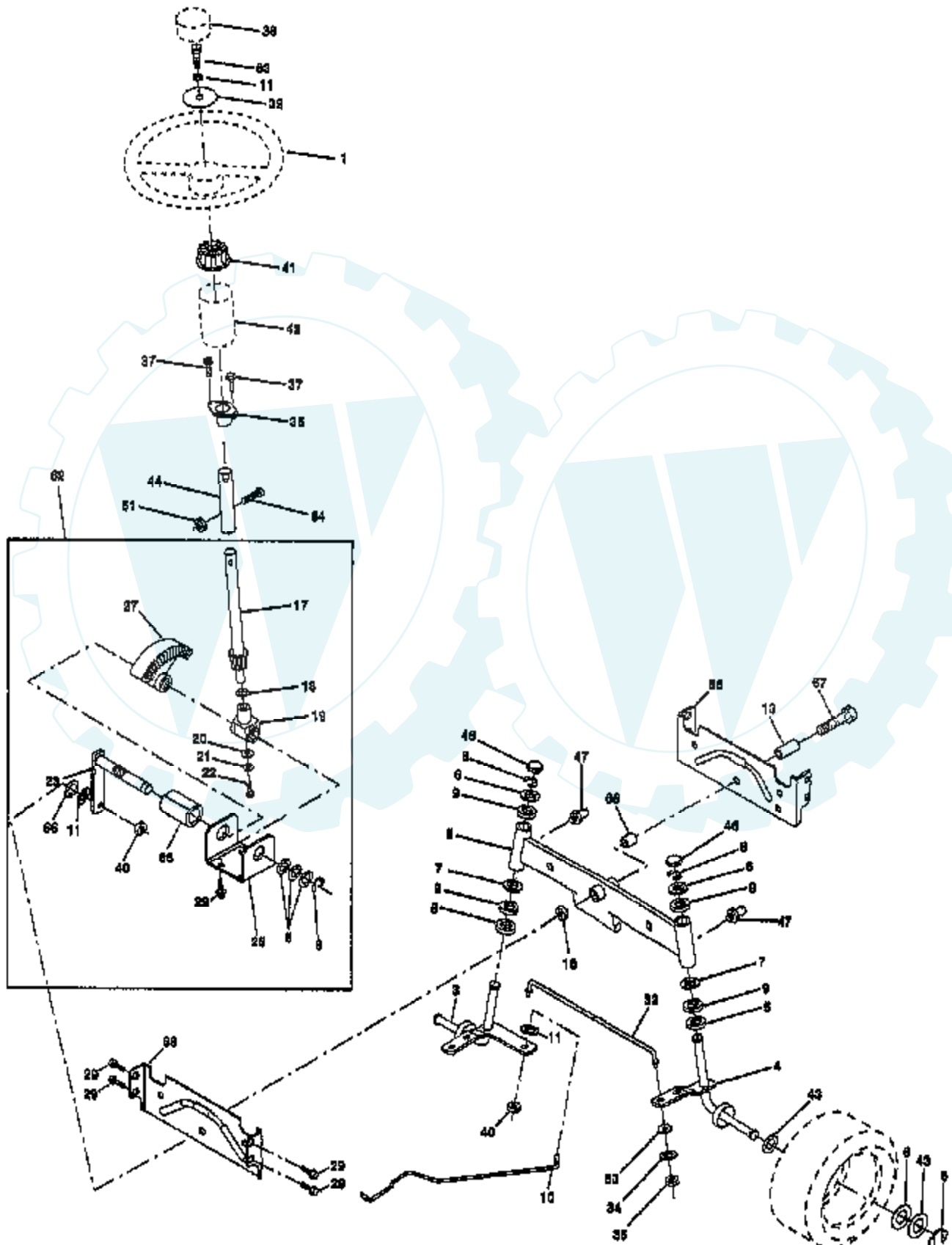
NOTE: All component dimensions given in U.S. inches
1 inch = 25.4 mm

Ref #	Part Number	Qty	Description
1	140118		SEAT.2500/1516.BK
2	140551		BRACKET PVT SEAT
5	145006		CLIP.PUSH-IN.HING
6	STD41437		NUT LOCK HEX W/INS 3/8-16 UNC
7	124181X		SPRING COMPRESSIO
10	155925		PAN-SEAT
11	120068X		"KNOB 1/2" YT"
12	121246X		BRKT SWITCH
13	121248X		BUSHING
14	72050411		SUB= 872050411
15	121249X		SPACER SPLIT
16	123740X		SPRING COMPRESSED
17	123976X		SUB= 73900400
18	124238X		CAP SPRING
21	153236		"BOLT,SHOULDER"
22	STD541431		NUT
24	19171912		WASHER
25	127018X		"BOLT,SHOULDER"
27	17490608		SCREW LT
28	150176		BOLT.5/16-18.UNC



TRACTOR - - MODEL NUMBER HD185H46A

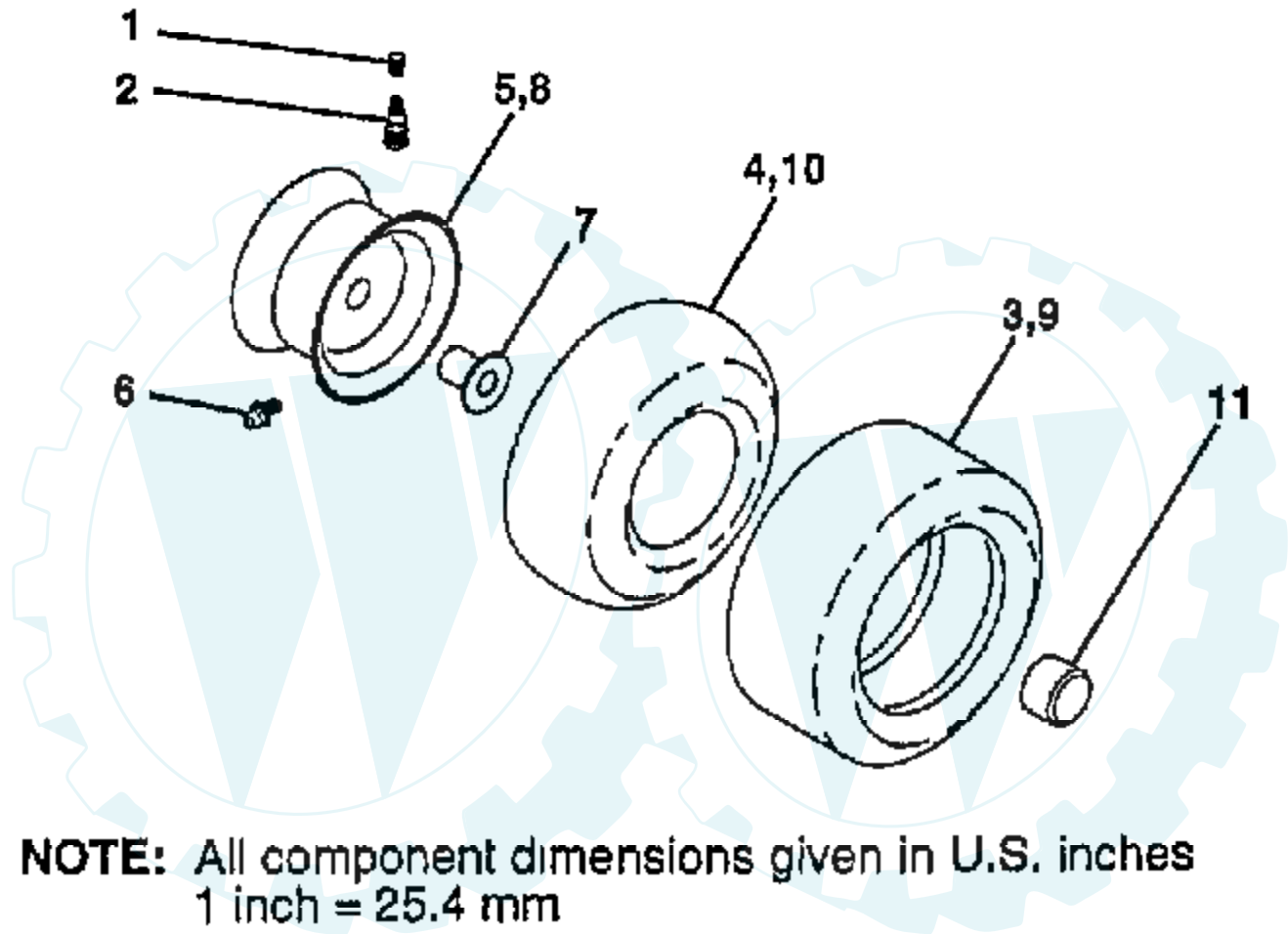
STEERING ASSEMBLY



Ref #	Part Number	Qty	Description
1	140044		WHEEL STR AYP BLK
2	154427		AXLE ASM
3	154924		"SPINDLE ASM, LH"
4	154925		SPINDLE ASM RH
5	6266H		WASHER .T
6	121748X		WASHER
7	19272016		WASHER
8	12000029		RING
9	3366R		COL. SRTG. BEAR.
10	156438		DRAGLINK-STAMPED
11	10040600		LOCKWASHER
13	154779		BEARING AXLE
15	73901000		"NUT-LOC,FLANGE LT"
17	156546		SHAFT ASM STEERIN
18	57079		THRUST WASHER
19	124035X		SUPPORT.SHAFT
20	126684X		SUB= 532126684
21	10040400		LOCKWASHER
22	71100410		SCREW.SCKTHD.CAP
23	127501		SUB= 918127501
25	154406		BRKT-STEERING
27	136874		GEAR SECTOR
29	17490612		SCREW
32	139929		ROD.TIE.19.75
33	19111216		WASHER M
34	10040500		LOCKWASHER
35	73810500		NUT.LOCK.5/16-24
36	155099		BUSHING.STEERING
37	152927		"SCREW-TT,10-32 FL"
38	140045		CAP STEER AYP
39	19133808		WASHER T
40	7810H		GRIPCO NUT
41	100711L		ADAPTER LT
42	145054		BOOT.STEER.PL
43	121749X		WASHER
44	153720		EXT SHAFT STEERIN
46	121232X		CAP
47	6855M		ZERK M
51	73800500		NUT
54	74780520		BOLT
56	19131210		WASHER
62	156594		KIT STEERING ASM
63	74780616		BOLT
65	154780		SPACER AXLE
66	154404		"BEARING-ARM,PITMA"
67	74781044		BOLT
68	154429		BRACE AXLE

TRACTOR - - MODEL NUMBER HD185H46A

WHEELS AND TIRES



Ref #	Part Number	Qty	Description
1	59192		VALVE CAP
2	65139		VALVE STEM LT
3	106230X		SUB= 122075X
4	59904		TUBE.5.3/4.5/6
5	106228X427		"RIM ASM 8" FRT"
6	278H		FITTING LT
7	9040H		"FLANGE, BEARING"
8	106108X427		"RIM AS 8" REAR"
9	106268X		SUB= 122074X
10	7152J		TUBE.18X9.5-8
11	104757X		HUB CAP
	144334		SEALANT.TIRE 10 OZ. TUBE

