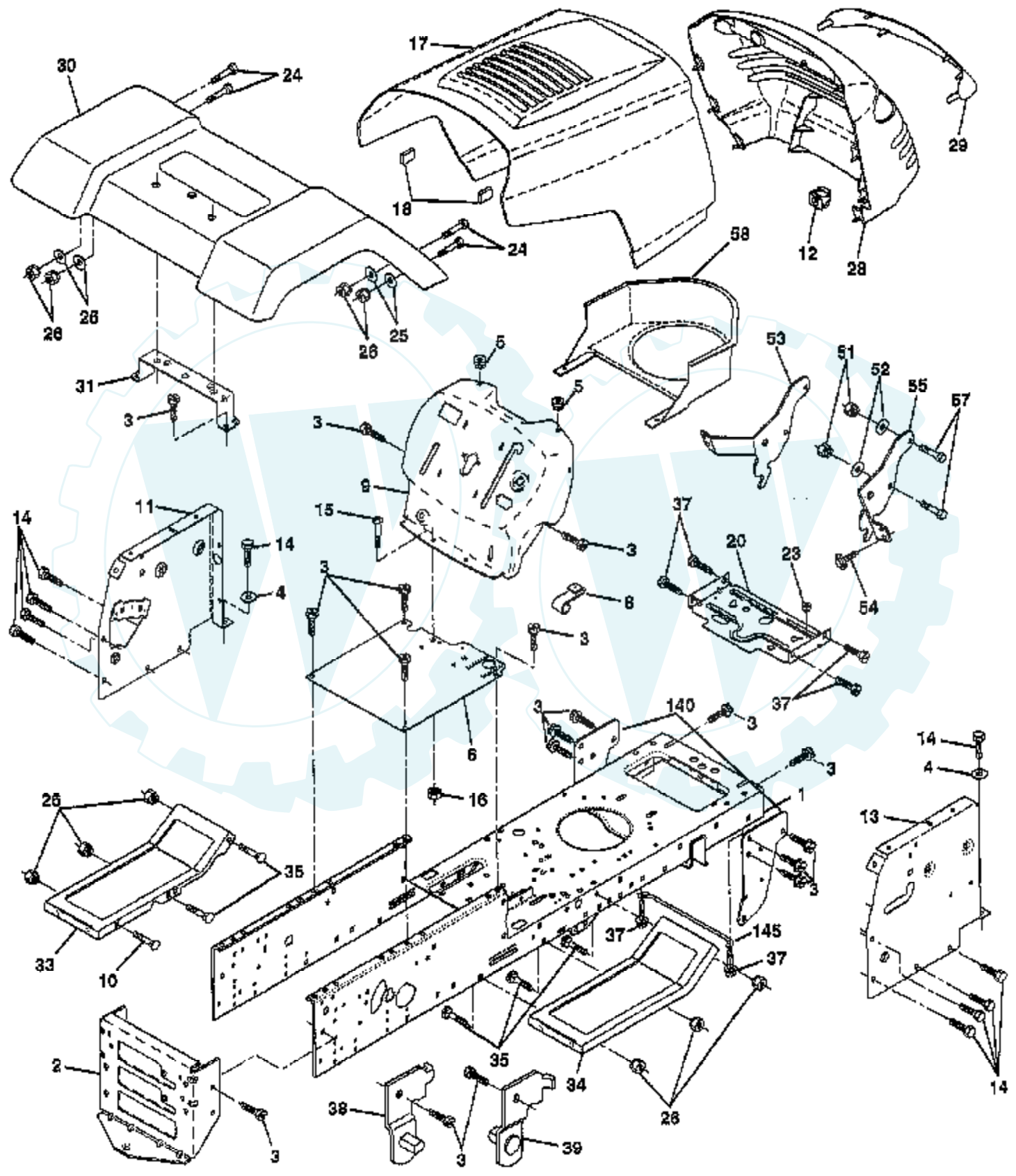


# TRACTOR - - MODEL NUMBER HD14542A

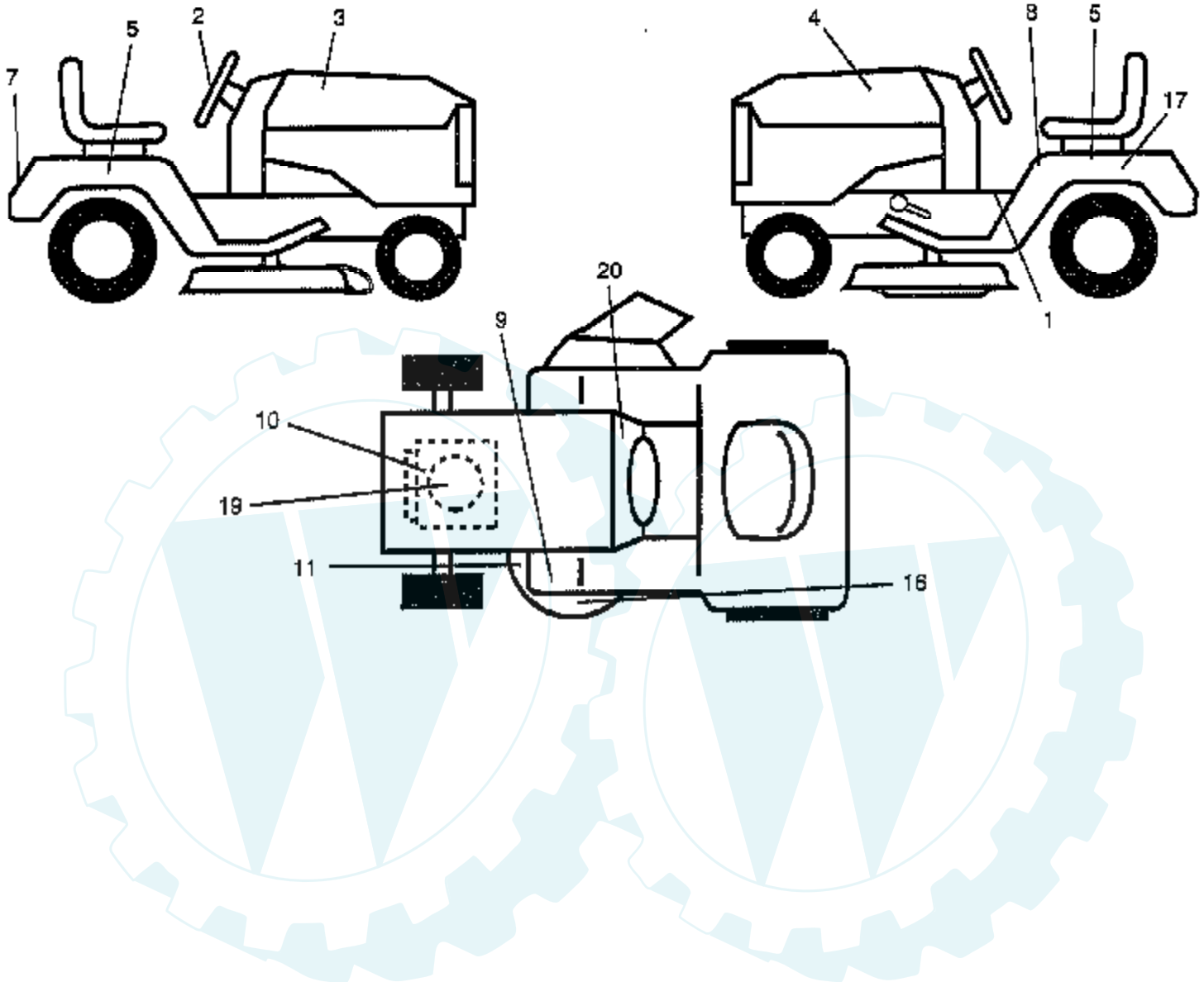
## CHASSIS AND ENCLOSURES



Ref #	Part Number	Qty	Description
1	160393		CHASSIS
2	140356		SUB= 145009
3	17490612		SCREW
4	19131216		WASHER
5	155272		BUMPER-HOOD/DASH
6	155923		SADDLE
8	155138		CLIP.RETAINER
9	161937X011		DASH SILKSCREEN
10	72140608		SUB= 72110608
11	155927		"PANEL-DASH,LH"
12	145660		CLIP.TINNERMAN
13	155934X010		SUB= 169117X010
14	17490608		SCREW LT
15	74180512		SCREW
16	73510500		NUT
17	159639X428		"HOOD W/TRIM,MS428"
18	126938X		SUB= 532126938
20	156437		"PLATE-MTG,BATT/FU"
23	124028X		SUB= 532124028
24	74780616		BOLT
25	19131312		WASHER
26	73800600		NUT
28	157373		GRILLE-MS428
29	140273		LENS GRILLE
30	157583X428		FENDER ASM
31	136619		BRKT FENDER
33	105476X428		FOOTREST LH
34	105475X428		FOOTREST RH
35	72110606		BOLT
37	17490508		SCREW LT
38	139886		BRACKET ASM LH
39	139887		BRACKET ASM RH
51	73800400		NUT
52	19091416		WASHER
53	144697		BRACKET.GRILLE.LH
54	161464		SCREW.HEX.WS.HD
55	144696		BRACKET.GRILLE.RH
57	74780412		SUB= 74780414
58	150127		AIR DUCT
140	158418		BRKT SUSPENSION
145	156524		"ROD POVOT,CHASSIS"
	5479J		PLUG BUTTON T

## TRACTOR - - MODEL NUMBER HD14542A

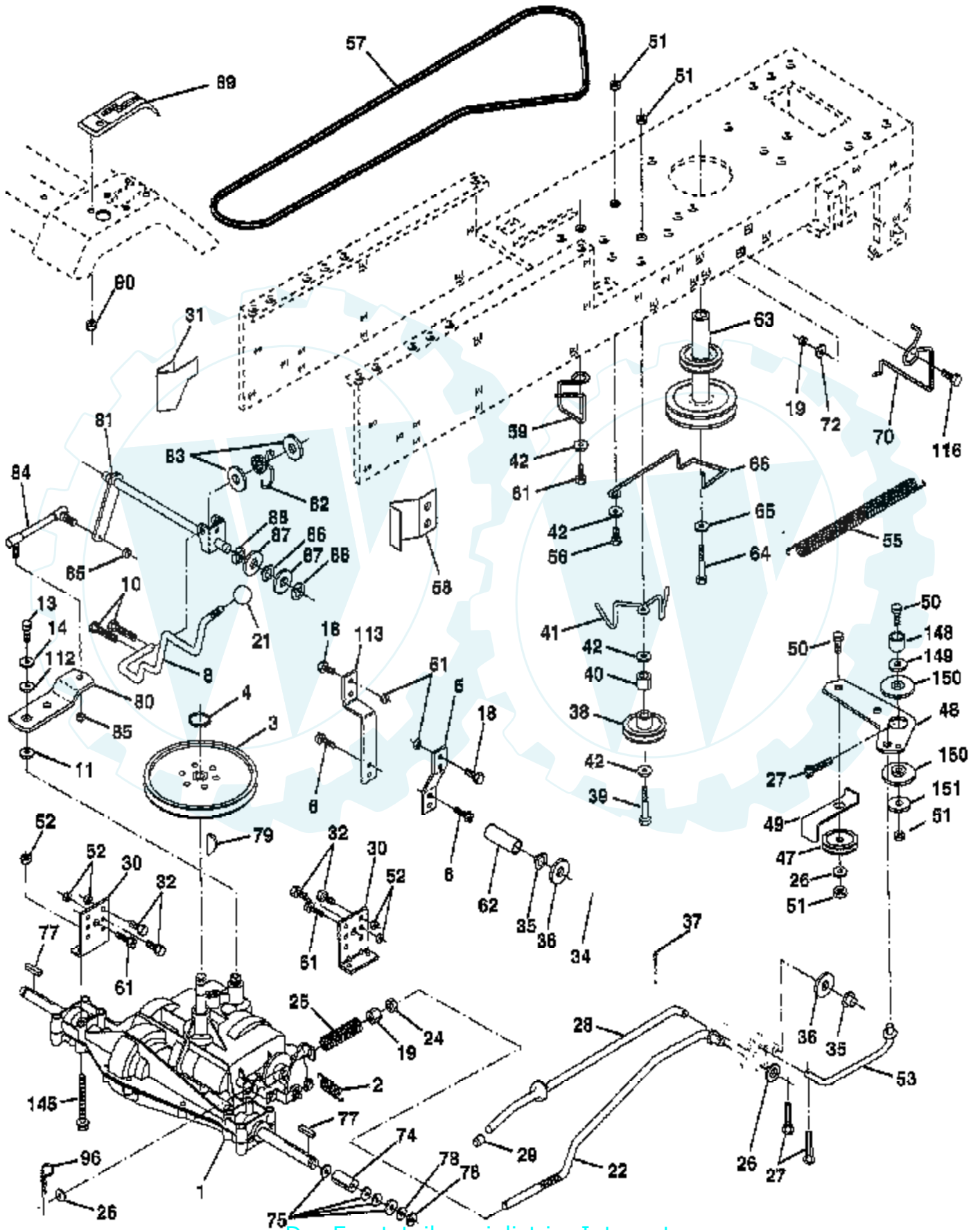
### DECALS



Ref #	Part Number	Qty	Description
1	158271		DECAL OPER
2	158168		"DECAL WHEEL,STEER"
3	167374		DECAL HOOD RH
4	167375		DECAL HOOD LH
5	166265		DECAL.FENDER.SD.LAWN
7	158166		"DECAL FENDER,LOGO"
8	157141		"DECAL FENDER,DANG"
9	141897		DECAL CLUT/BRAKE
10	165352		DECAL.ENGINE
11	160396		"DECAL-SCHEM,BELT"
16	158169		"DECAL DECK,MULCH"
17	145005		DECAL.BATRY.3-3908
19	166221		DECAL.REPLACEMENT.ENG
20	167376		DECAL DASH PNL
	138311		DECAL HANDLE LIFT
	166120		MANUAL.O.HD14542A
	166121		MANUAL.O.HD14542A.S
	LBD48		SNOW BLADE
	LSB42		SNOW THROWER
	LC05		WHEEL WTS.
	C42		GRASS CATCHER
	LAO18		TIRE CHAINS
	MK420		MULCHING KIT W/BLADES

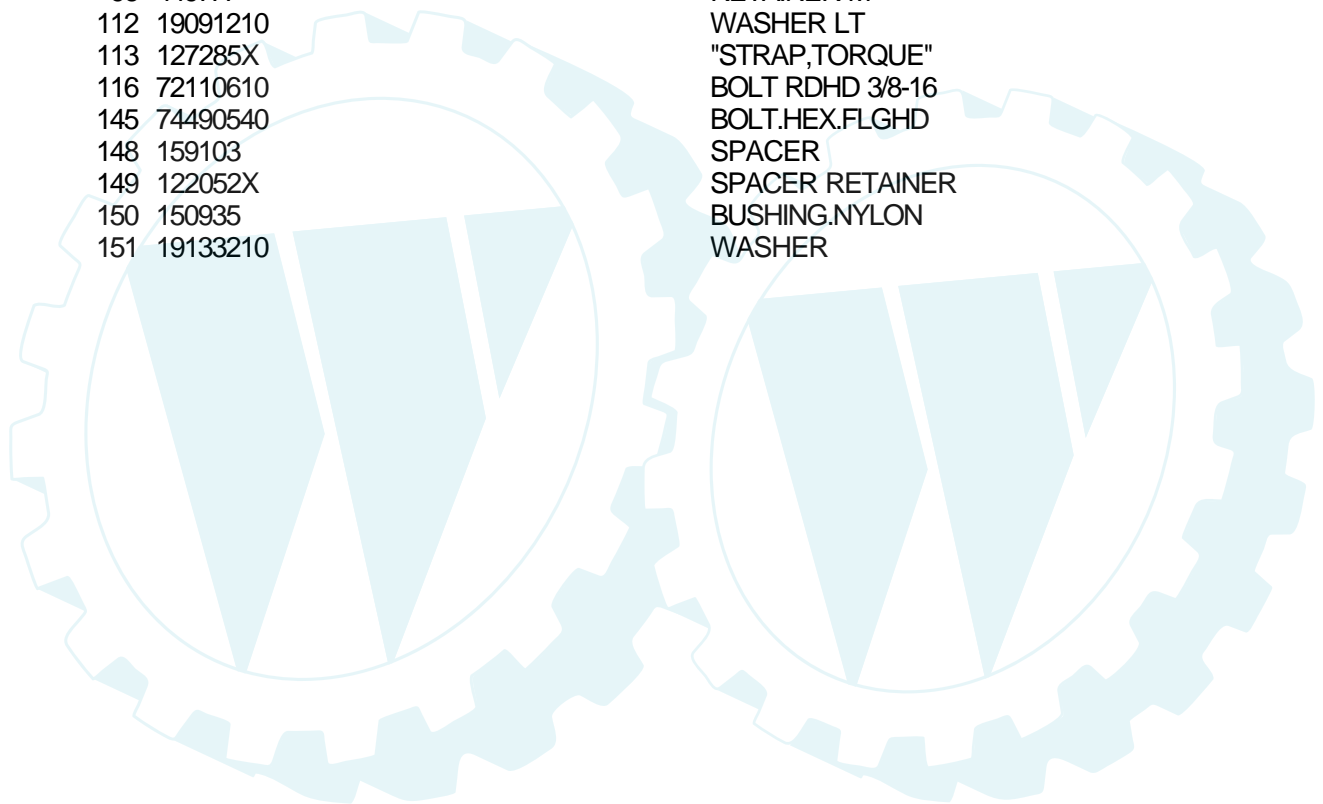
# TRACTOR -- MODEL NUMBER HD14542A

## DRIVE



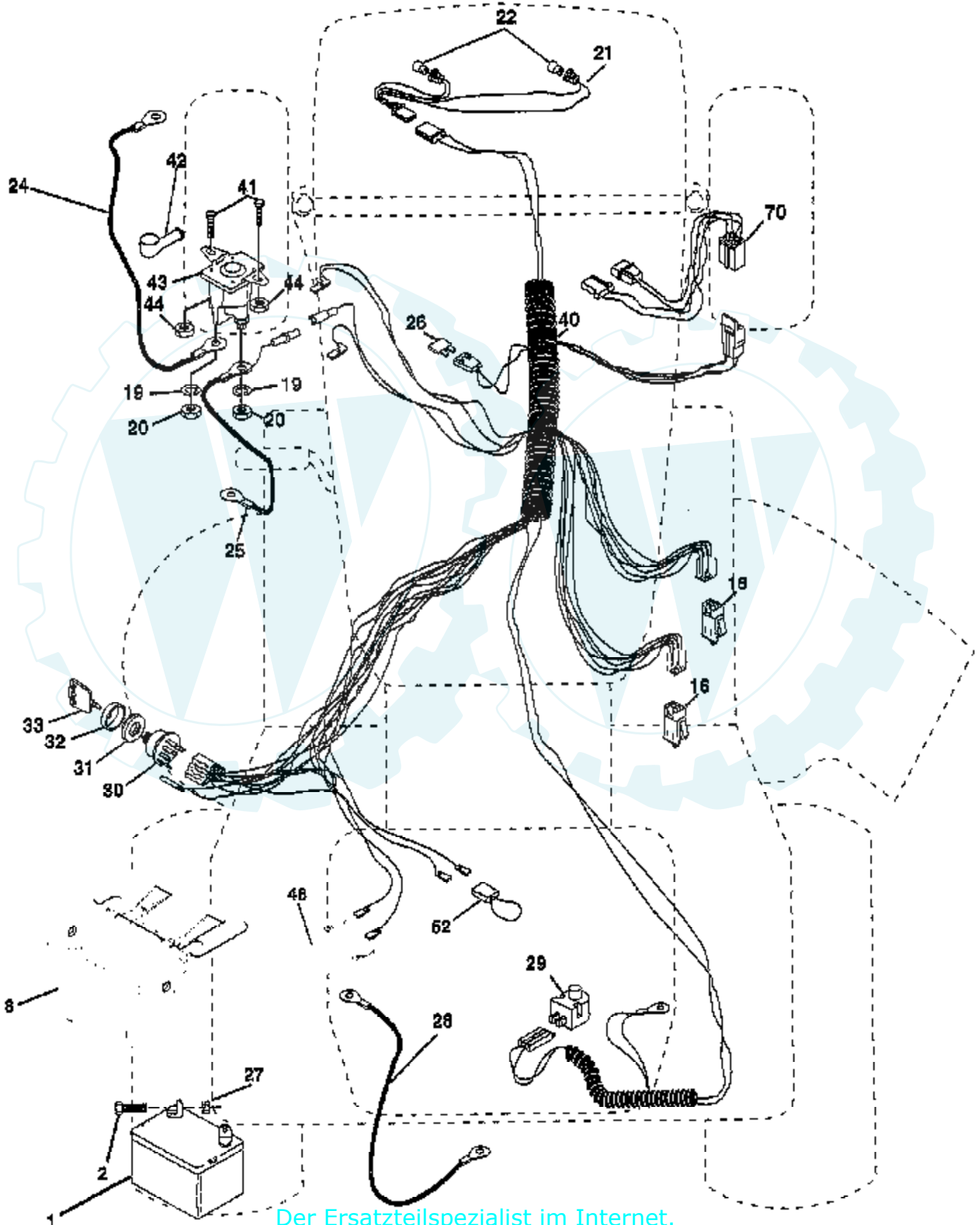
Ref #	Part Number	Qty	Description
1	PARTSIMAGE		REFER TO PARTS IMAGE
1	SUPPLIER		CHECK WITH SUPPLIER
2	146682		SPRING.BRAKE.RETU
3	123666X		PULLEY TRANS
4	12000028		SUB= 2267J
5	121520X		STRAP TORQUE
6	17490512		SCREW
8	141003		ROD SHIFT FEND LT
10	76020416		PIN COTTER 1/8
11	105701X		WASH-SHFT PLT LT
13	74550412		BOLT.1/4-28.W/PAT
14	10040400		LOCKWASHER
18	74780616		BOLT
19	73800600		NUT
21	106933X		KNOB T (1/2-HOLE)
22	130804		BRAKE ROD
24	73350600		NUT
25	106888X		SPRING ROD LT
26	19131316		WASHER
27	76020412		COTTER PIN
28	145204		ROD.BRAKE.PARK.LT
29	71673		PLUNGER CAP T
30	130807		TRANSAXLE MTG BKT
31	127275X		"KEEPER,BELT LH T"
32	74760512		BOLT
34	155071		SHAFT ASM-PEDAL F
35	120183X		NYLON BEARING
36	19211616		WASHER LT
37	1572H		SUB= 2882J
38	131494		FLAT IDLER PULLEY
39	74760644		BOLT
40	4470J		SPACER T
41	165838		"KEEPER,BELT.IDLER FLAT"
42	19131312		WASHER
47	127783		SUB= 139245
48	154407		BELLCRANK.CLUTCH
49	123205X		RETAIN BELT
50	74760624		SUB= 74930624
51	73680600		SUB= 73690600
52	73680500		SUB= 73690500
53	105710X		"LINK, CLUTCH T"
55	105709X		"SPRING, RETURN LT"
56	74760620		SUB= 74780620
57	130801		SUB= 138255
58	127274X		"KEEPER,BELT RH T"
59	140312		KEEPER BELT CNTSP
61	17490612		SCREW
62	8883R		PEDAL COVER T
63	140186		PULLEY.ENGINE
64	71170764		BOLT
65	10040700		LOCKWASHER
66	154778		KEEPER-BELT
70	134683		KEEPER BELT ENG
72	19132012		WASHER
74	137057		SPACER AXLE
75	121749X		WASHER
76	12000001		E-RING LT
77	123583X		SQUARE KEY

Ref #	Part Number	Qty	Description
78	121748X		WASHER
79	2228M		SUB= 2228M1
80	131486		"ROD,LINK SHIFT"
81	161076		SHAFT.CROSS
82	123793X		"ROD,TIE "
83	19171216		WASHER
84	123793X		"ROD,TIE "
85	150360		NUT.CNT.LOCK.1/4
86	157480		BUSHING
87	19212016		WASHER D
88	12000008		KLIP RING
89	139964X428		CONSOLE.SHIFT.SLT
90	124346X		NUT
96	4497H		RETAINER M
112	19091210		WASHER LT
113	127285X		"STRAP,TORQUE"
116	72110610		BOLT RDHD 3/8-16
145	74490540		BOLT.HEX.FLGHD
148	159103		SPACER
149	122052X		SPACER RETAINER
150	150935		BUSHING.NYLON
151	19133210		WASHER



# TRACTOR - - MODEL NUMBER HD14542A

## ELECTRICAL

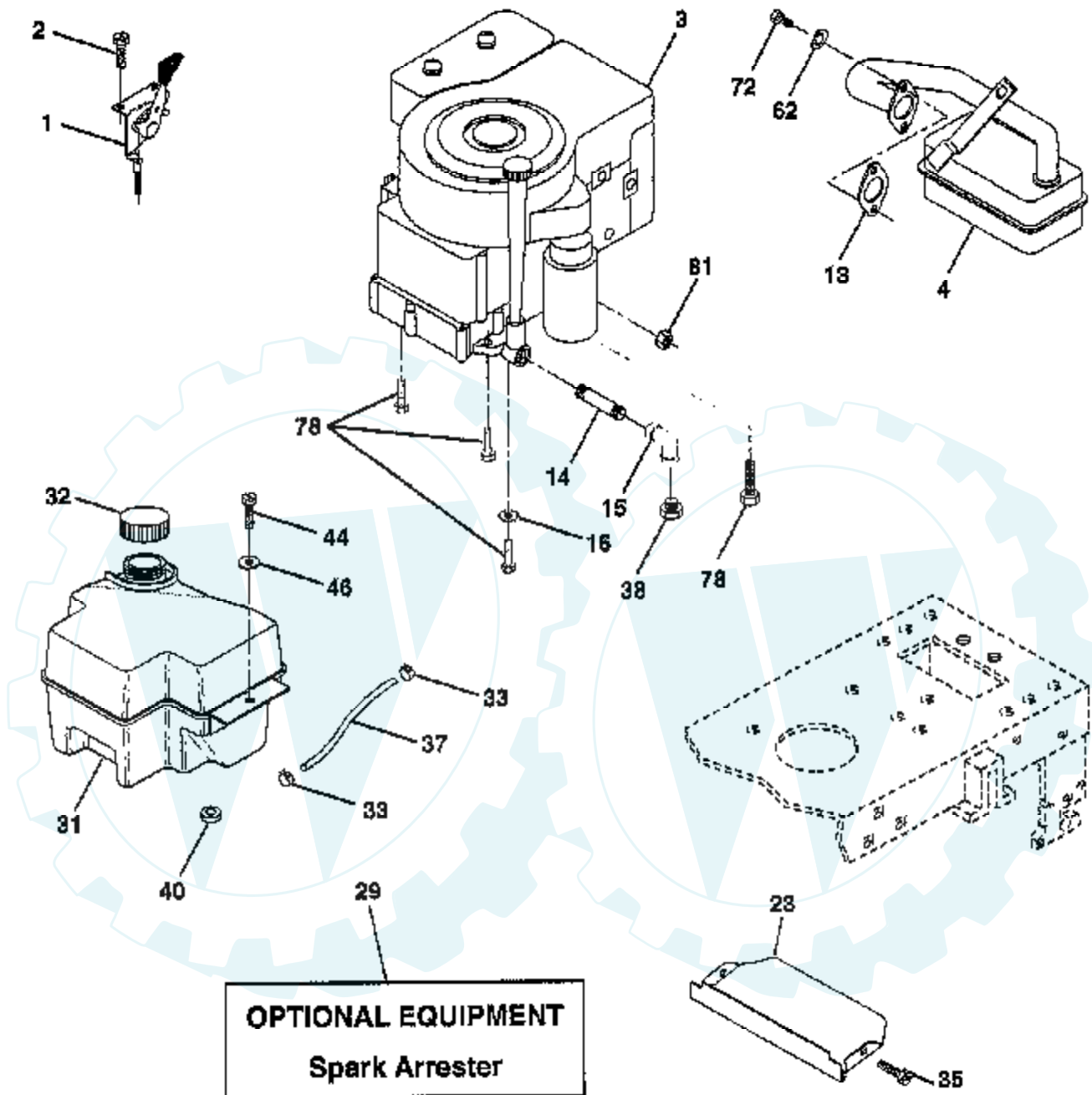




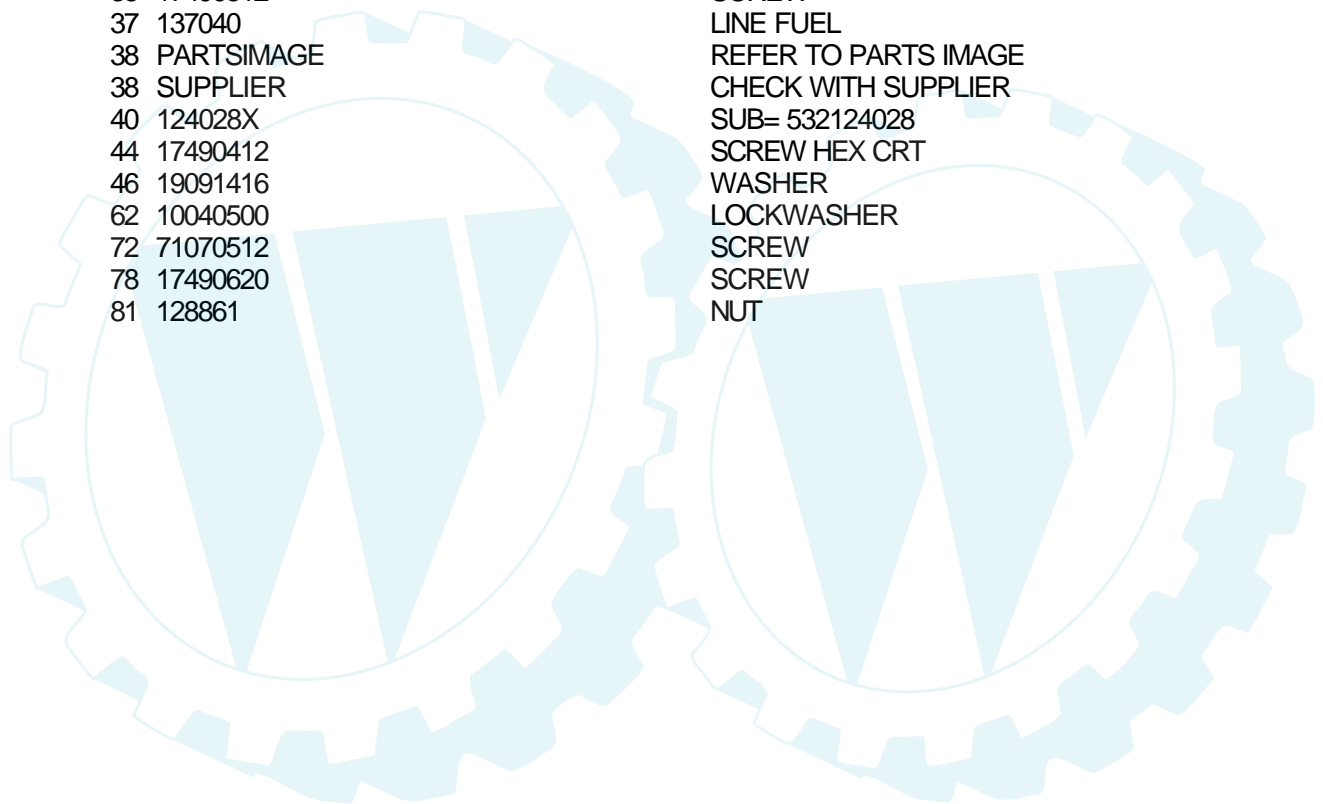
Ref #	Part Number	Qty	Description
	REFER		REFER TO IMAGE
1	144925		SUB= 123899X
2	74760412		BOLT LT
8	156417		"CASE,BATTERY.MECH"
16	153664		SWITCH INTERLOCK
19	10090400		SUB= 10040400
20	73350400		NUT
21	136850		"HARNES,LIGHT SOC"
22	4152J		HEADLAMP BULB
24	4799J		"CABLE T, BATTERY"
25	146147		CABLE.BTRY.6GA.RD
26	108824X		FUSE HYT
27	73510400		NUT
28	4207J		CABLE T
29	121305X		SWITCH SEAT
30	140301		SWITCH IGN 4POS
31	124211X		NUT IGNITION
32	141226		COVER KEY SWITCH
33	122147X		KEY
40	156442		HARNES-IGNITION
41	71110408		BOLT HXHD FIN
42	131563		SUB= 154336
43	145673		SUB= 146154
44	73640400		NUT HXKEP 1/4X20
48	140844		ADAPTER AMMETER
52	141940		PROTECTION LOOP
70	140422		HARNES.ENG.DUAL

# TRACTOR - - MODEL NUMBER HD14542A

## ENGINE

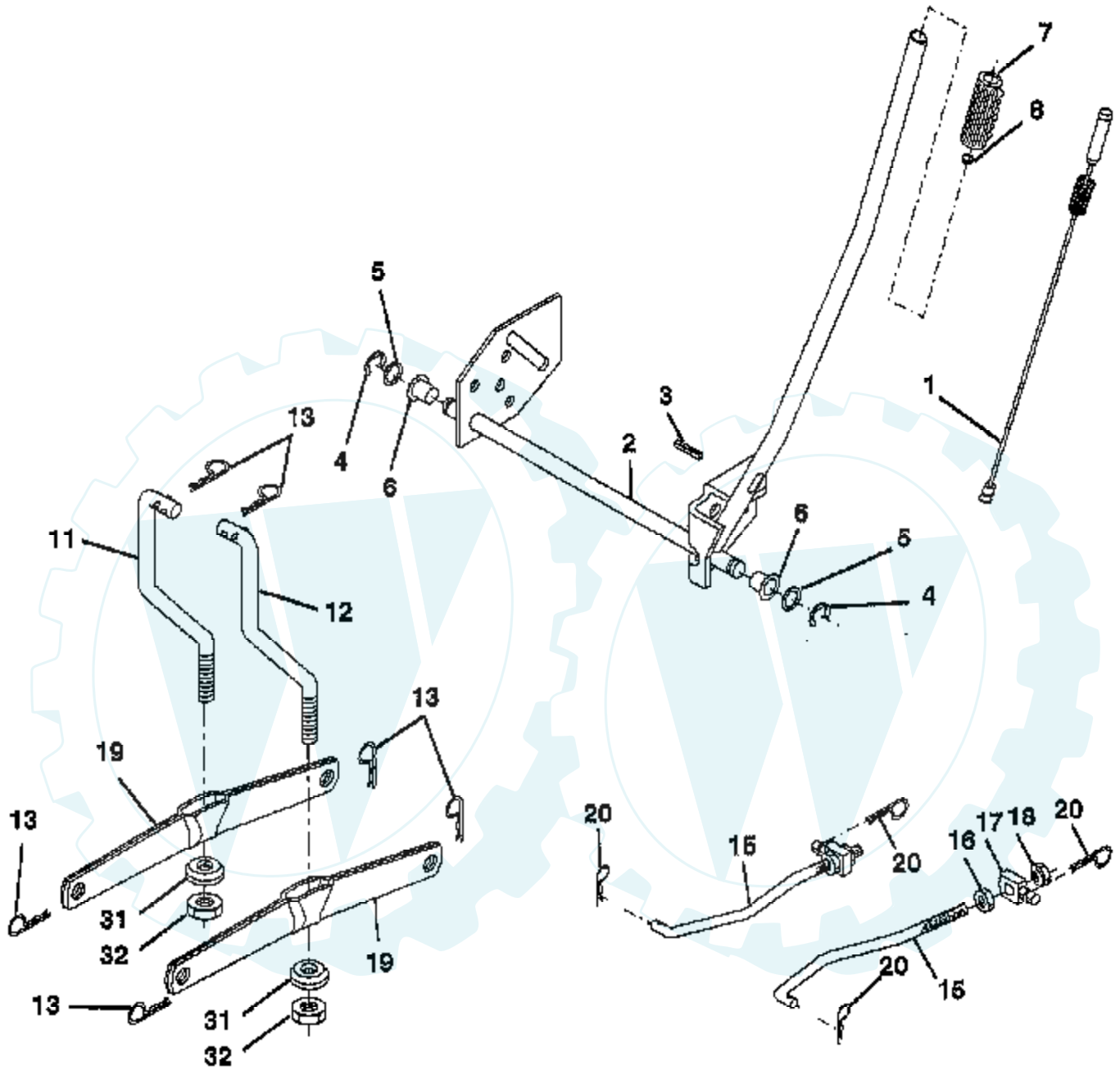


Ref #	Part Number	Qty	Description
1	140310		CONTROL THROTTLE
2	17720410		SCREW LT
3	SUPPLIER		CHECK WITH SUPPLIER
4	137352		MUFFLER
13	165291		SUB= 272293
14	13280324		PIPE NIPPLE
15	13200300		ELBOW
16	11050600		LOCKWASHER
23	159880		SHIELD.BRN/DBR.GD
29	137180		SUB= 532137180
31	161911		TANK.FUEL.FRONT.
32	140527		CAP ASM FUEL
33	123487X		HOSE CLAMP
35	17490512		SCREW
37	137040		LINE FUEL
38	PARTSIMAGE		REFER TO PARTS IMAGE
38	SUPPLIER		CHECK WITH SUPPLIER
40	124028X		SUB= 532124028
44	17490412		SCREW HEX CRT
46	19091416		WASHER
62	10040500		LOCKWASHER
72	71070512		SCREW
78	17490620		SCREW
81	128861		NUT

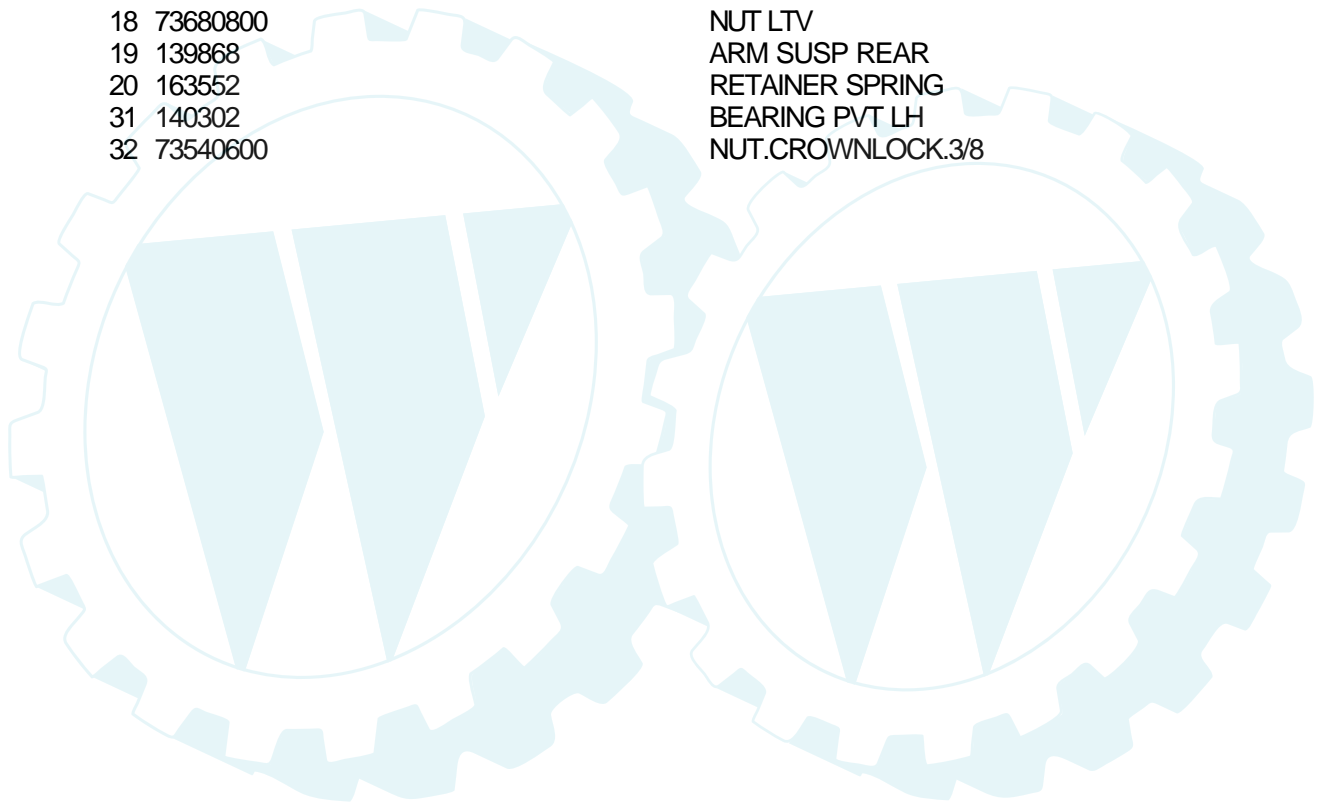


# TRACTOR - - MODEL NUMBER HD14542A

## LIFT

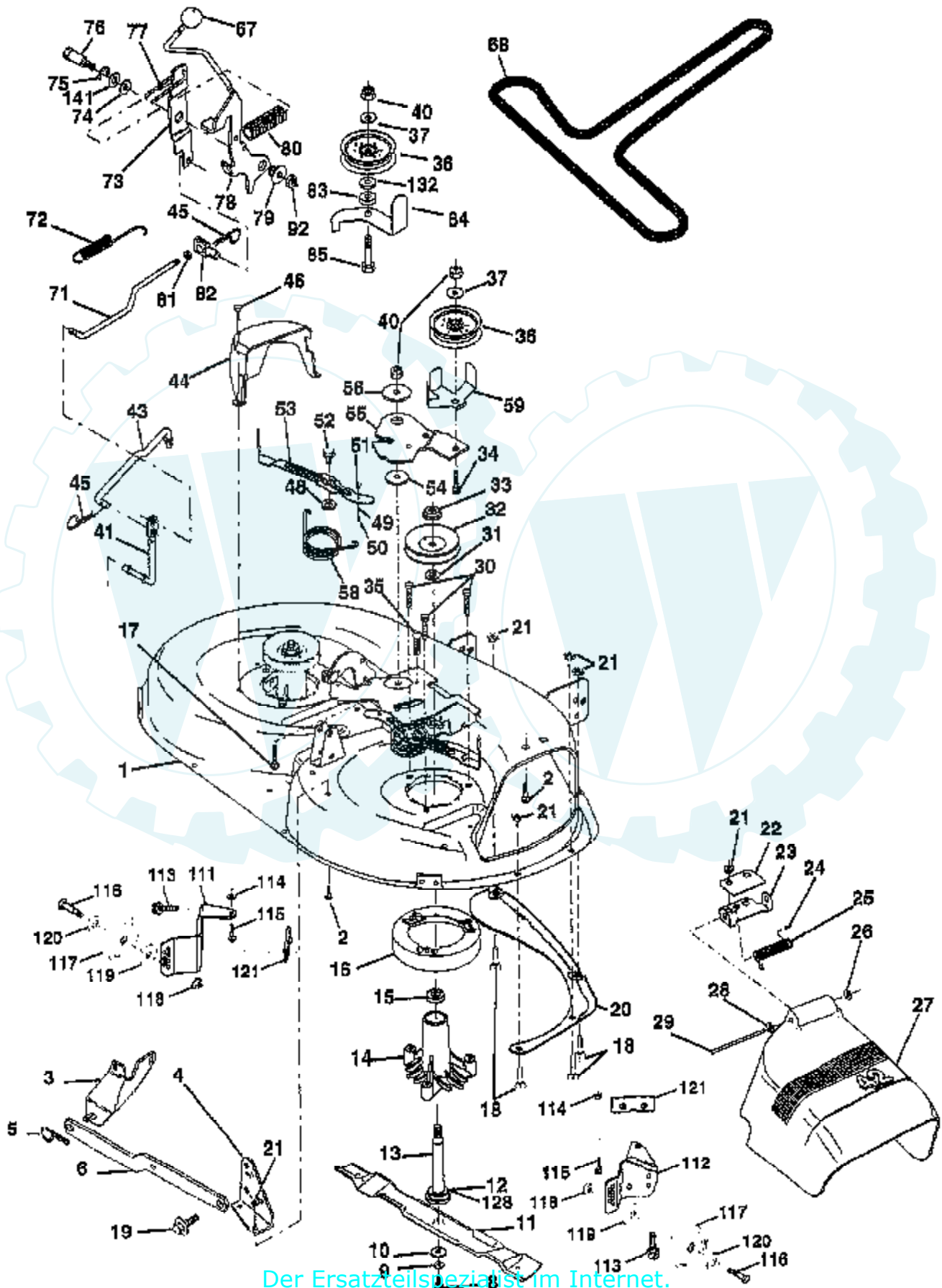


Ref #	Part Number	Qty	Description
1	159460		WIRE ASM W.SPRING
2	159471		"SHAFT ASM LIFT,RH"
3	105767X		PIN-GROOVE LT
4	12000002		SUB= 2225J
5	19211621		WASHER
6	120183X		NYLON BEARING
7	109413X		GRIP
8	124526X		SUB= 125925X
11	139865		SUB= 918139865
12	139866		SUB= 151140
13	4939M		SUB= 85902
15	127218		LINK.FRONT
16	73350800		NUT
17	130171		TRUNION
18	73680800		NUT LTV
19	139868		ARM SUSP REAR
20	163552		RETAINER SPRING
31	140302		BEARING PVT LH
32	73540600		NUT.CROWNLOCK.3/8



# TRACTOR -- MODEL NUMBER HD14542A

## MOWER DECK



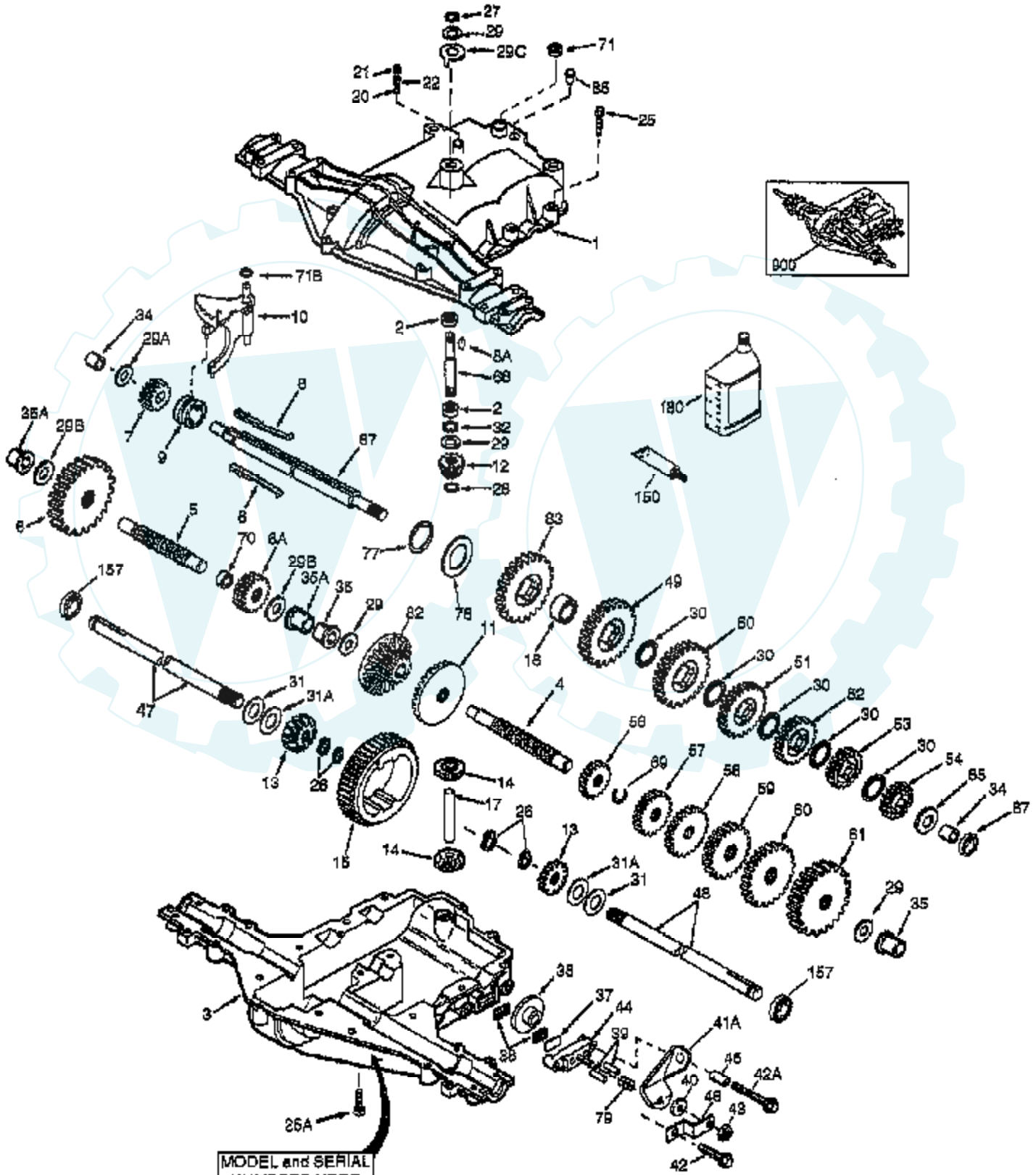
Ref #	Part Number	Qty	Description
1	164961		"HOUSING ASSY.42""
2	72140506		BOLT
3	138017		BRKT ASM SWAY BAR
4	138440		BRKT DECK SW BAR
5	4939M		SUB= 85902
6	130832		SUB= 130833
8	850857		BLADE BOLT
9	10030600		SUB= 10040600
10	140296		WASHER.HARD.BLADE
11	138498		"BLADE.42"" HIPERF"
12	129895		BEARING.BALL
13	137645		SUB= 137646
14	128774		HSG ASM MANDREL
15	110485X		BEARING
16	140329		STRIPPER RND MWR
17	72110610		BOLT RDHD 3/8-16
18	72140505		BOLT
19	132827		BOLT SHD 5/16-18
20	159770		BAFFLE VORTEX 42
21	73680500		SUB= 73690500
22	134753		STIFFENER BRKT
23	131267		DEFLECTOR BRKT
24	105304X		CAP-SLEEVE LT
25	123713X		SPRING TORSION
26	110452X		NUT PUSH M
27	130968		DEFLECTOR.SHIELD
28	19111016		WASHER
29	131491		HINGE ROD
30	157722		"SCREW-THD ROLL,WA"
31	129963		WASHER
32	153535		PULLEY.MANDREL.42
33	137266		SUB= 139729
34	72110614		BOLT
35	133835		XMAS TREE FASTNER
36	131494		FLAT IDLER PULLEY
37	19131316		WASHER
40	73680600		SUB= 73690600
41	133551		PIVOT ROD
43	140083		ROD CLUTCH W/NIBS
44	140088		GUARD MAND LH BLK
45	4497H		RETAINER M
46	137729		SCREW.1/4-20X5/8
48	133944		HARD SMALL WASHER
49	155066		ROLLER ASM-CAM
50	131340		SHOULDER BOLT
51	69180		LOCKNUT
52	139888		BOLT.SHLD.5/16-18
53	131845		BRAKE PAD ARM ASM
54	133943		HARDENED WASHER
55	155046		ARM-IDLER
56	122052X		SPACER RETAINER
58	140086		SPRING TORSN BRAK
59	141043		GUARD IDLER TUV
67	162132		KNOB.RD.7/16-14
68	144200		BELT.V.T-PATH
71	142427		ROD CLUTCH 38/42
72	131870		RETURN SPRING
73	127847		CLUTCH ARM SECOND

Ref #	Part Number	Qty	Description
74	121748X		WASHER
75	12000029		RING
76	128903		SHOULDER BOLT
77	127845		SPRING KEEPER
78	160570		LEVER.ASM.CLUTCH
79	127498		BUSHING
80	153701		SPRING.CLUTCH.MWR
81	73350600		NUT
82	142028		TRUNION ADJ
83	120958X		WASHER
84	156084		"KEEPER-BELT,FIXED"
85	72140620		BOLT
92	73800600		NUT
111	155197		BRACKET.GWHL.LH.
112	155198		BRACKET.GWHL.RH.
113	17490512		SCREW
114	73510500		NUT
115	72110504		SUB= 872110504
116	4898H		BOLT M
117	105455X		WHEEL.GAGE.BLK.PL
118	73930600		LOCKNUT
119	19121414		WASHER
120	19171512		WASHER
121	143723		BRACKET.EXTRD.GWL
128	153390		WASHER.FELT.
132	19132203		WASHER GT
141	6266H		WASHER .T
	130794		MANDREL ASM
	164962		"DECK.MOWER SERV.42"" MECH"



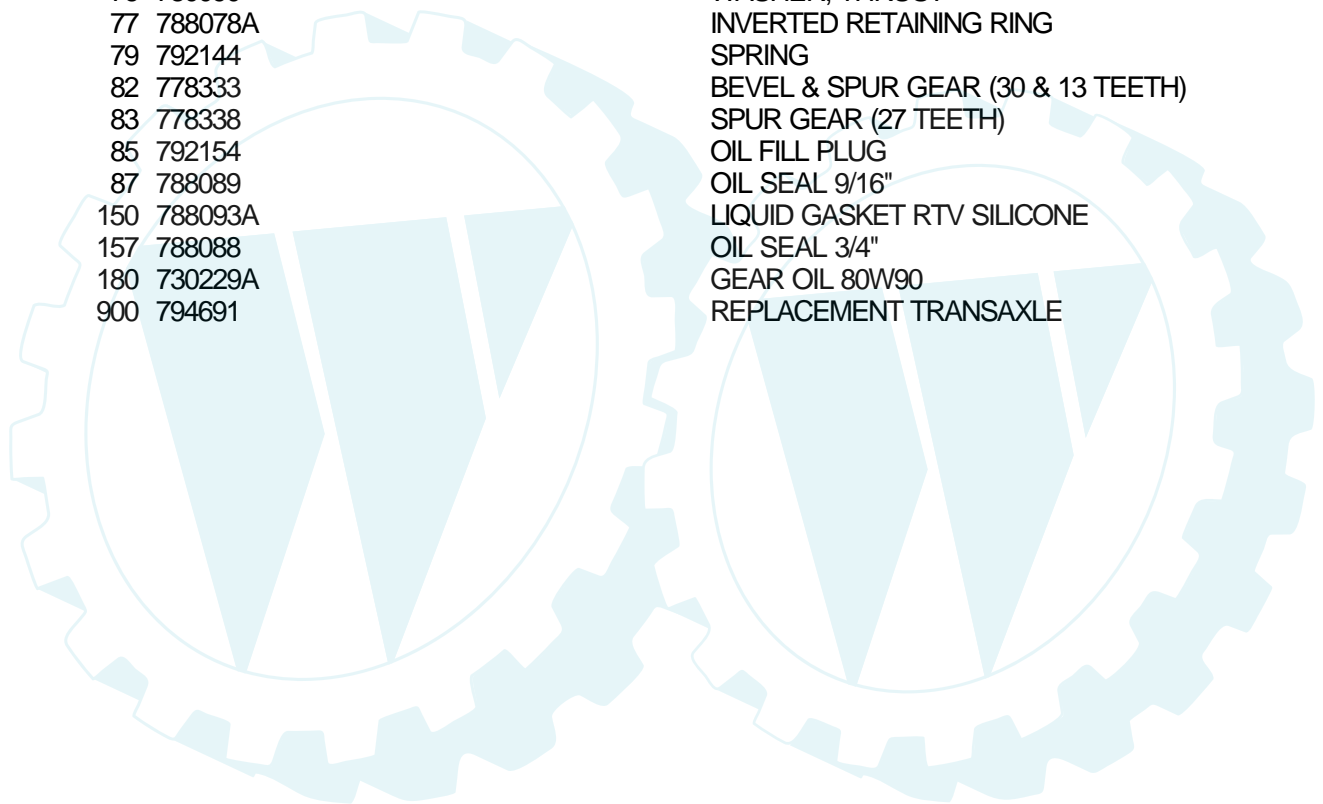
# TRACTOR - - MODEL NUMBER HD14542A

## TRANSAXLE PEERLESS - MODEL NUMBER 206-508B



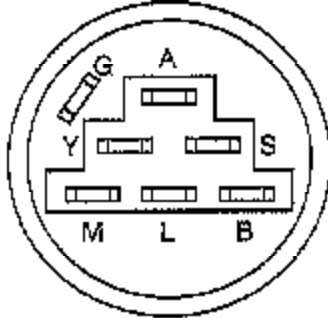
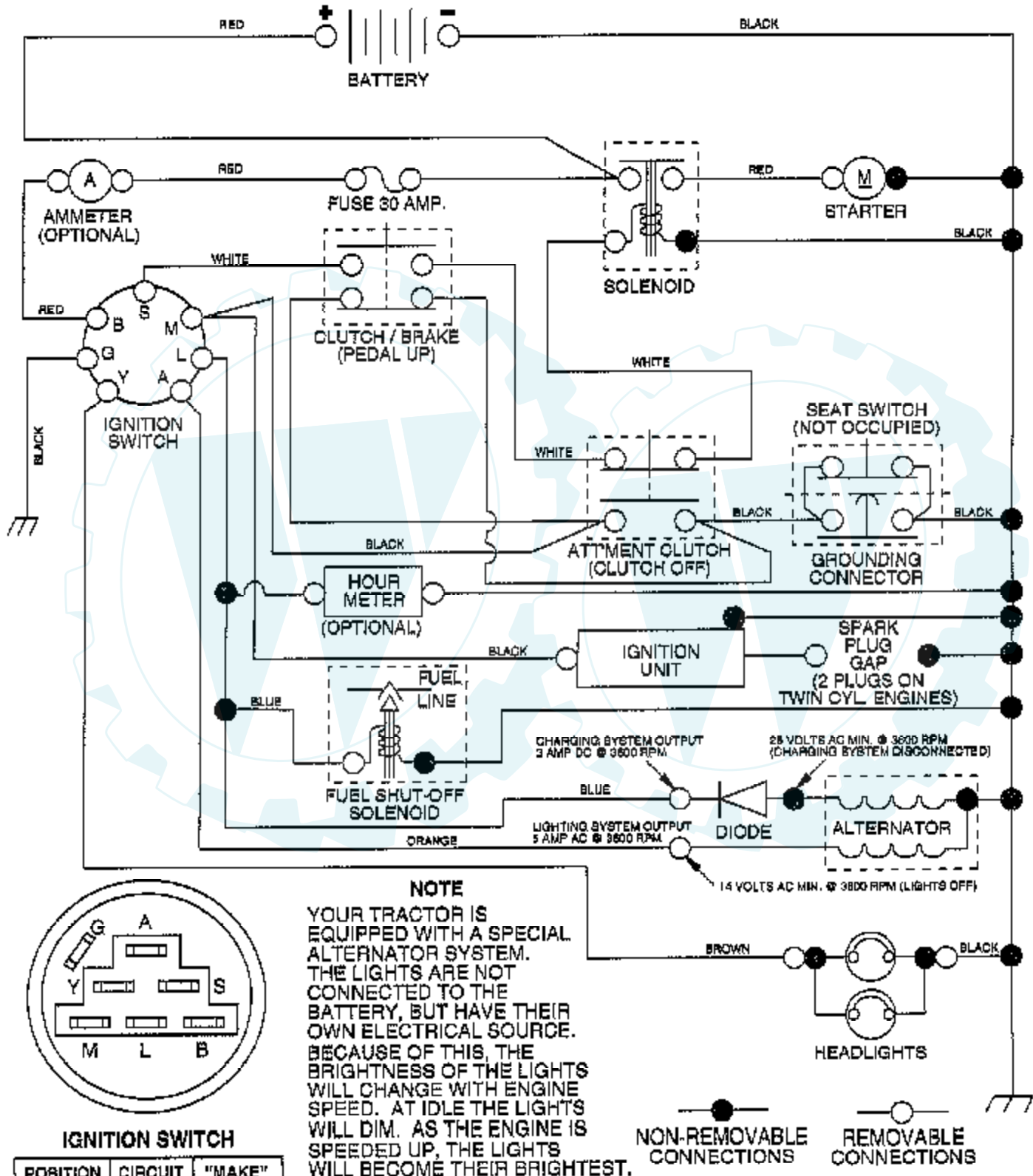
Ref #	Part Number	Qty	Description
1	772147		TRANSAXLE COVER
2	780086A		NEEDLE BEARING 5/8" ID
3	770128		TRANSAXLE CASE
4	776395		COUNTERSHAFT
5	776409		OUTPUT SHAFT
6	778364		SPUR GEAR (38 TEETH)
6A	778369		SPUR GEAR (15 TEETH)
7	778330		SPUR GEAR (11 TEETH)
8	792180		SHIFT KEY
8A	792047		KEY, WOODRUFF
9	784352		COLLAR, SHIFTER
10	784378		SHIFT ROD & FORK
11	778334		BEVEL GEAR (30 TEETH)
12	778309		INPUT BEVEL PINION (13TEETH)
13	778368		BEVEL GEAR (13 TEETH)
14	778367		BEVEL PINION (13 TEETH)
15	778370		RING GEAR (43 TEETH)
17	786188		DRIVE PIN
18	786102		SPACER, NEUTRAL
20	792077		BALL STEEL, 5/16" DIA.
21	792078		SCREW, 3/8-16 X 3/8"
22	792079		SPRING
25	792073A		SCREW
25A	792177		SCREW 1/4-20 X 1-3/8"
26	792125		RING RETAINER
27	792035		RING, RETAINER
28	788040		RETAINING RING
29	780072		WASHER THRUST
29A	780160		WASHER
29B	780051		WASHER THRUST
29C	780199		P/N CONFLICT - CHECK WITH SUPPLIER
30	780108		WASHER THRUST
31	780001		WASHER
31A	780195		FLAT WASHER
32	788083		OIL SEAL 5/8"
34	780194		BUSHING 9/16"
35	780193		FLANGED BUSHING 5/8" ID
35A	780197		FLANGED BUSHING 3/4"
36	790075		BRAKE DISC
37	790007		PLATE BRAKE PAD
38	799021		BRAKE PAD
39	786026		PIN DOWEL
40	792076A		WASHER
41A	790079		BRAKE LEVER
42	792073A		SCREW
42A	792085A		SCREW, 1/4-20 X 2-1/4
43	792075		LOCKNUT 5/16-24
44	790025		HOLDER BRAKE PAD
45	786066		SPACER
46	786086		BRKT BRAKE LEVER
47	774690		AXLE
48	774691		AXLE
49	778356		SPUR GEAR (29 TEETH)
50	778338		SPUR GEAR (27 TEETH)
51	778354		SPUR GEAR (23 TEETH)
52	778352		SPUR GEAR (19 TEETH)
53	778350		SPUR GEAR (16 TEETH)
54	778346		SPUR GEAR (15 TEETH)

Ref #	Part Number	Qty	Description
56	778355		SPUR GEAR (11 TEETH)
57	778337		SPUR GEAR (13 TEETH)
58	778353		SPUR GEAR (17 TEETH)
59	778351		SPUR GEAR (21 TEETH)
60	778349		SPUR GEAR (24 TEETH)
61	778345		SPUR GEAR (25 TEETH)
65	780189		WASHER
66	776422		INPUT SHAFT
67	776396		SHIFTER & BRAKE SHAFT
69	792170		RETAINING RING
70	786187		SPACER .890
71	788069		SEAL SQUARE CUT
71B	788092		"O" RING
76	780090		WASHER, THRUST
77	788078A		INVERTED RETAINING RING
79	792144		SPRING
82	778333		BEVEL & SPUR GEAR (30 & 13 TEETH)
83	778338		SPUR GEAR (27 TEETH)
85	792154		OIL FILL PLUG
87	788089		OIL SEAL 9/16"
150	788093A		LIQUID GASKET RTV SILICONE
157	788088		OIL SEAL 3/4"
180	730229A		GEAR OIL 80W90
900	794691		REPLACEMENT TRANSAXLE



# TRACTOR - - MODEL NUMBER HD14542A

## SCHEMATIC



**IGNITION SWITCH**

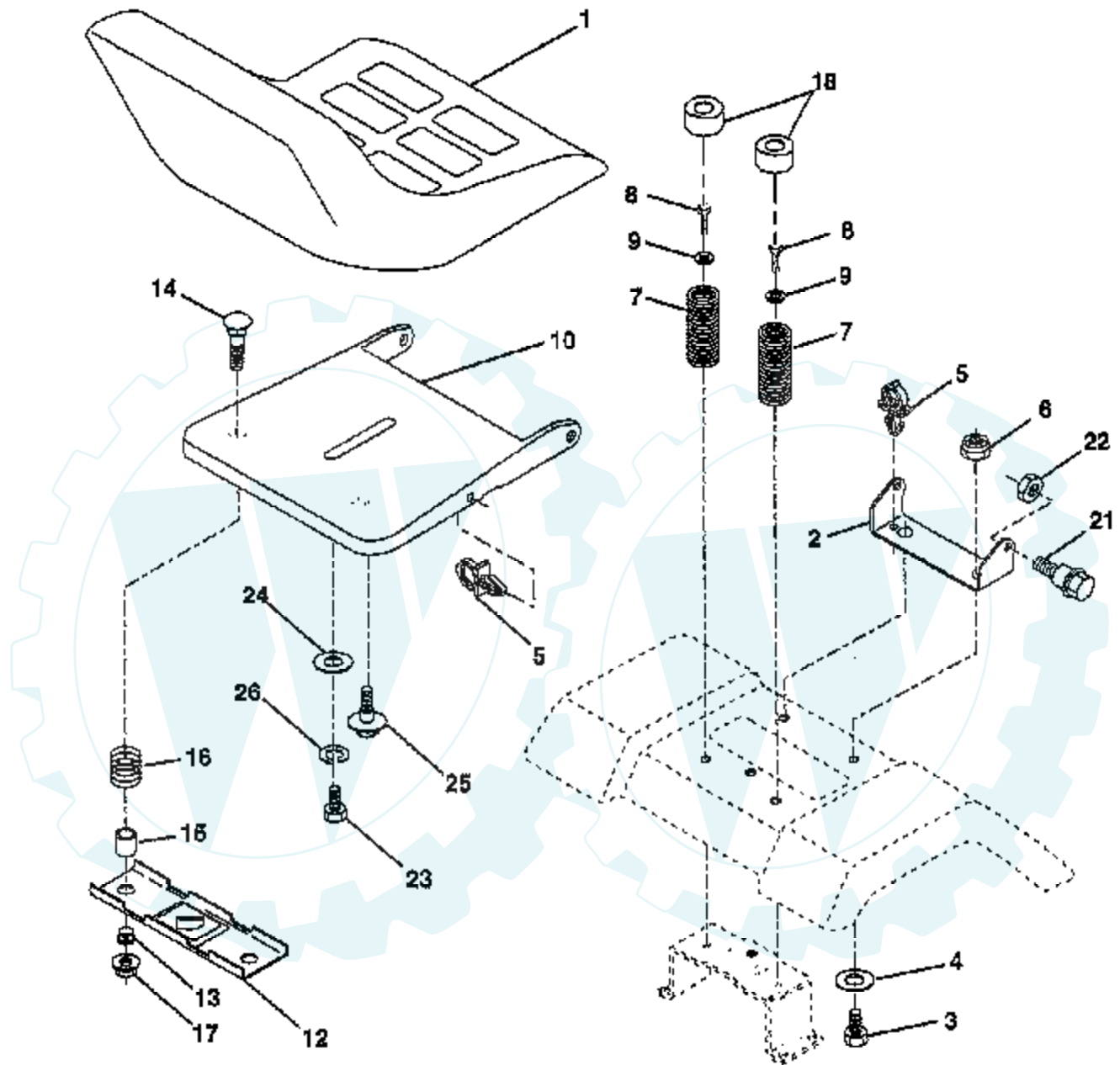
POSITION	CIRCUIT	"MAKE"
OFF	B + M + L	NONE
RUN/LIGHT	B + L	A + Y
RUN	B + L	NONE
START	B + L + S	NONE

**NOTE**  
YOUR TRACTOR IS EQUIPPED WITH A SPECIAL ALTERNATOR SYSTEM. THE LIGHTS ARE NOT CONNECTED TO THE BATTERY, BUT HAVE THEIR OWN ELECTRICAL SOURCE. BECAUSE OF THIS, THE BRIGHTNESS OF THE LIGHTS WILL CHANGE WITH ENGINE SPEED. AT IDLE THE LIGHTS WILL DIM. AS THE ENGINE IS SPEEDED UP, THE LIGHTS WILL BECOME THEIR BRIGHTEST.

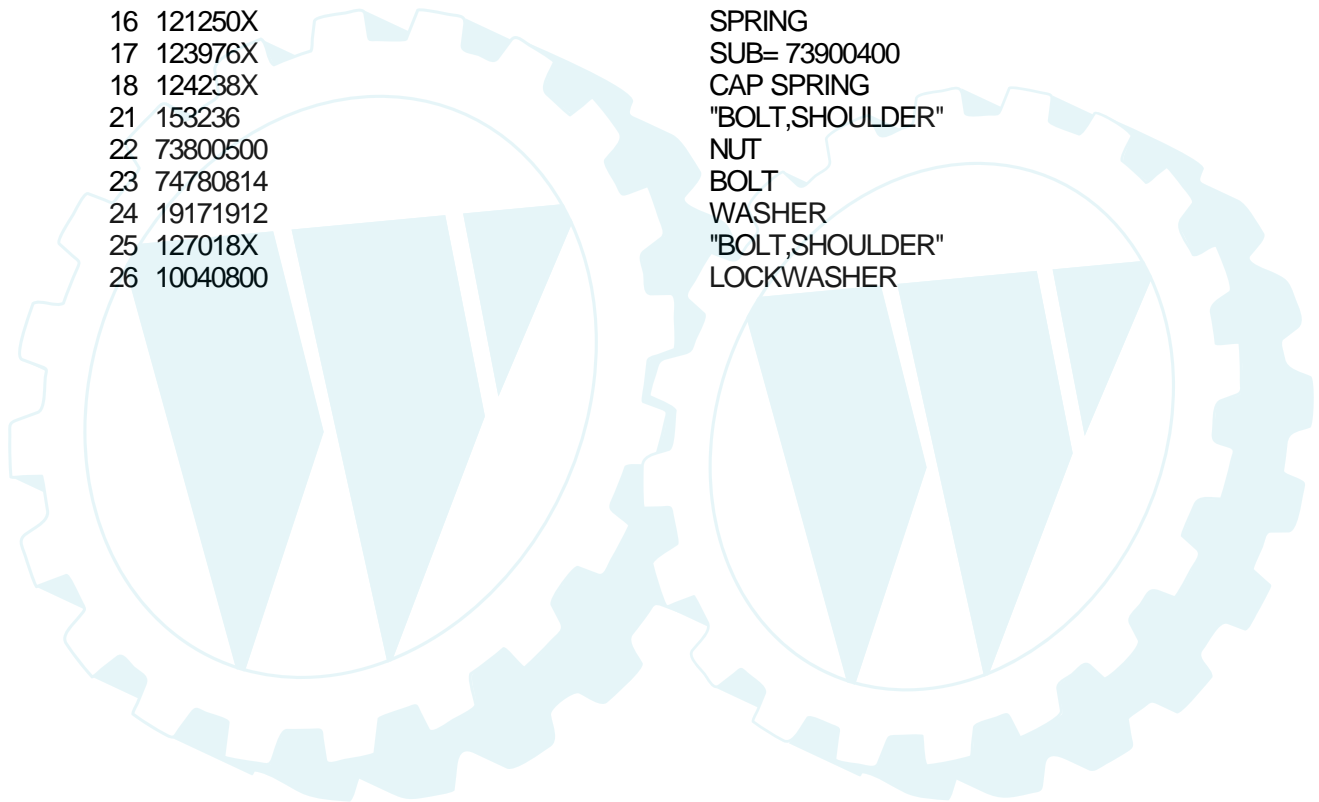
**WIRING INSULATED CLIPS**  
**NOTE:** IF WIRING INSULATED CLIPS WERE REMOVED FOR SERVICING OF UNIT, THEY SHOULD BE REPLACED TO PROPERLY SECURE YOUR WIRING.

# TRACTOR - - MODEL NUMBER HD14542A

## SEAT ASSEMBLY

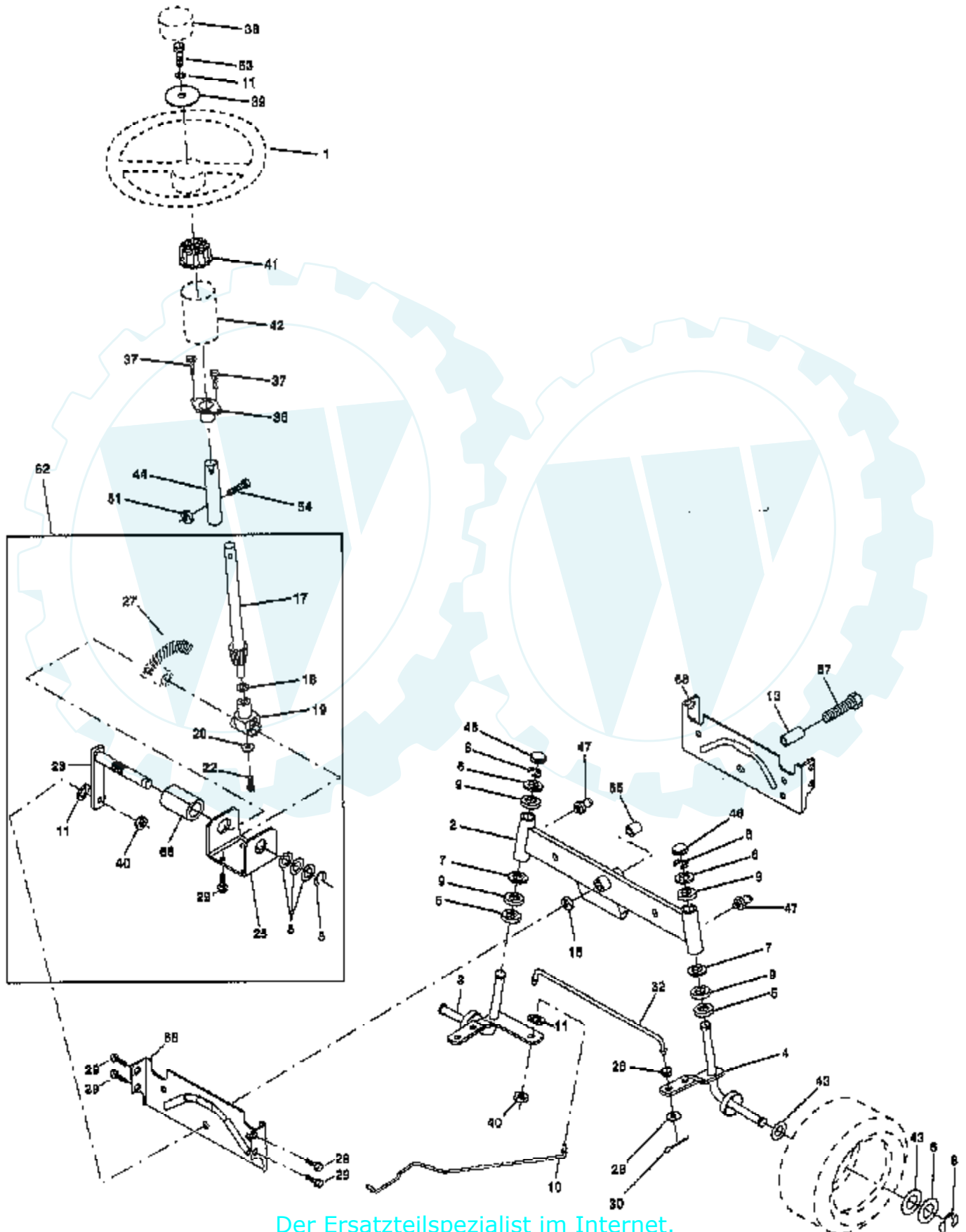


Ref #	Part Number	Qty	Description
1	140116		SEAT
2	140551		BRACKET PVT SEAT
3	74760616		BOLT
4	19131610		WASHER PM
5	145006		CLIP.PUSH-IN.HING
6	73800600		NUT
7	124181X		SPRING COMPRESSIO
8	17490616		SCREW GTV
9	19131614		WASHER
10	155925		PAN-SEAT
12	121246X		BRKT SWITCH
13	121248X		BUSHING
14	72050412		BOLT-RD HD SQ NK
15	134300		SPLIT SPACER
16	121250X		SPRING
17	123976X		SUB= 73900400
18	124238X		CAP SPRING
21	153236		"BOLT,SHOULDER"
22	73800500		NUT
23	74780814		BOLT
24	19171912		WASHER
25	127018X		"BOLT,SHOULDER"
26	10040800		LOCKWASHER



# TRACTOR - - MODEL NUMBER HD14542A

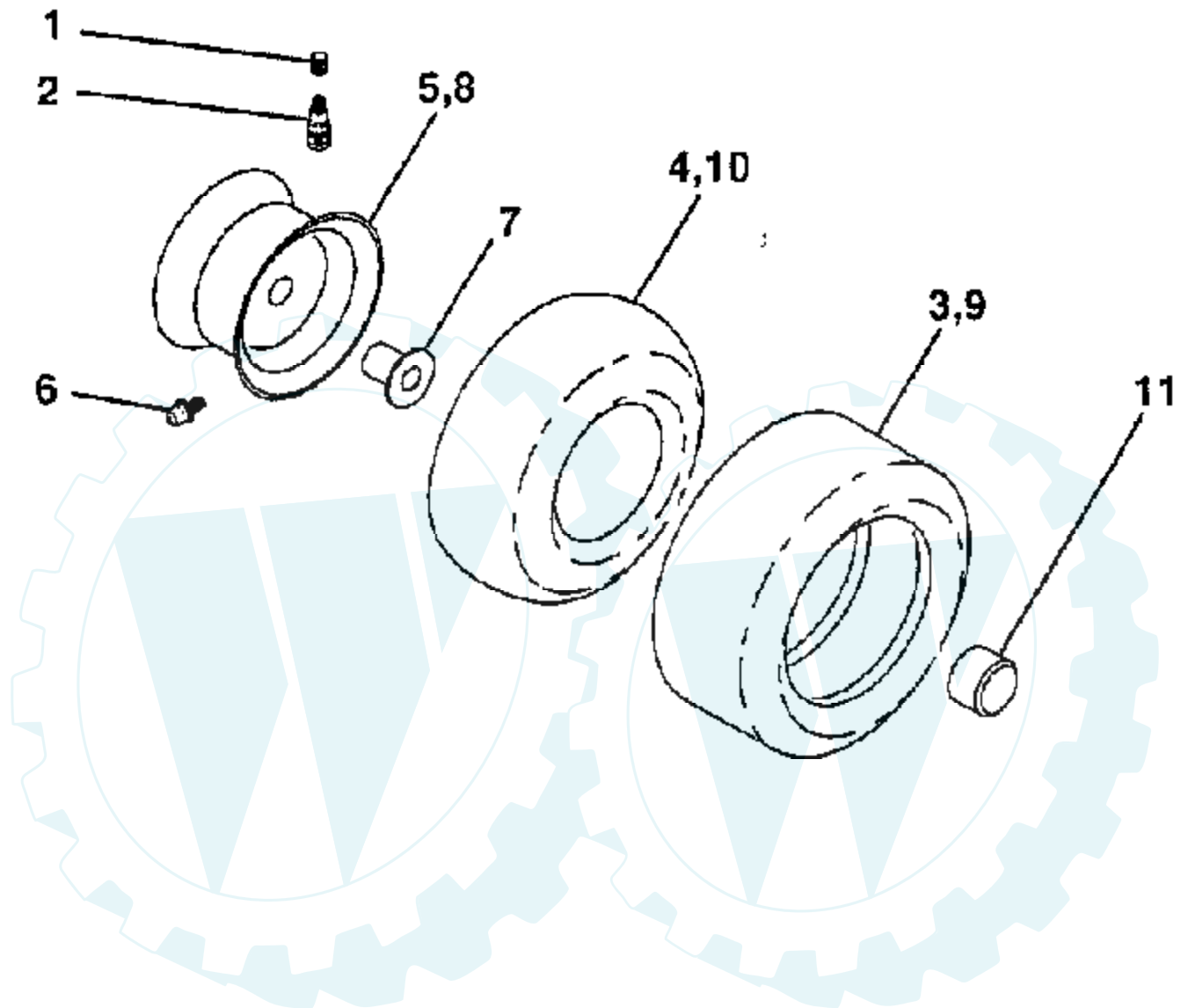
## STEERING ASSEMBLY



Ref #	Part Number	Qty	Description
1	140044		WHEEL STR AYP BLK
2	154427		AXLE ASM
3	156483		SPINDLE.ASM.LH
4	157473		"SPINDLE ASM,RH"
5	6266H		WASHER .T
6	121748X		WASHER
7	19272016		WASHER
8	12000029		RING
9	3366R		COL. SRTG. BEAR.
10	156438		DRAGLINK-STAMPED
11	10040600		LOCKWASHER
13	154779		BEARING AXLE
15	73901000		"NUT-LOC,FLANGE LT"
17	156546		SHAFT ASM STEERIN
18	57079		THRUST WASHER
19	124035X		SUPPORT.SHAFT
20	126684X		SUB= 532126684
22	71200410		SCREW HEX SOC1/4-
23	127501		SUB= 918127501
25	154406		BRKT-STEERING
26	126847X		BUSHING.DRAGLINK
27	136874		GEAR SECTOR
28	19131416		WASHER
29	17490612		SCREW
30	76020412		COTTER PIN
32	130465		TIE ROD
36	155099		BUSHING.STEERING
37	152927		"SCREW-TT,10-32 FL"
38	140045		CAP STEER AYP
39	19133808		WASHER T
40	7810H		GRIPCO NUT
41	100711L		ADAPTER LT
42	145054		BOOT.STEER.PL
43	121749X		WASHER
44	153720		EXT SHAFT STEERIN
46	121232X		CAP
47	6855M		ZERK M
51	73800500		NUT
54	74780520		BOLT
62	156594		KIT STEERING ASM
63	74780616		BOLT
65	154780		SPACER AXLE
66	154404		"BEARING-ARM,PITMA"
67	74781044		BOLT
68	154429		BRACE AXLE



# WHEELS AND TIRES



Ref #	Part Number	Qty	Description
1	59192		VALVE CAP
2	65139		VALVE STEM LT
3	106222X		SUB= 122073X
4	59904		TUBE.5.3/4.5/6
5	106732X427		"RIM ASM 6"" FRT"
6	278H		FITTING LT
7	9040H		"FLANGE, BEARING"
8	106108X427		"RIM AS 8"" REAR"
9	124635X		SUB= 126957X
10	7152J		TUBE.18X9.5-8
11	104757X		HUB CAP
	144334		SEALANT.TIRE 10 OZ. TUBE

