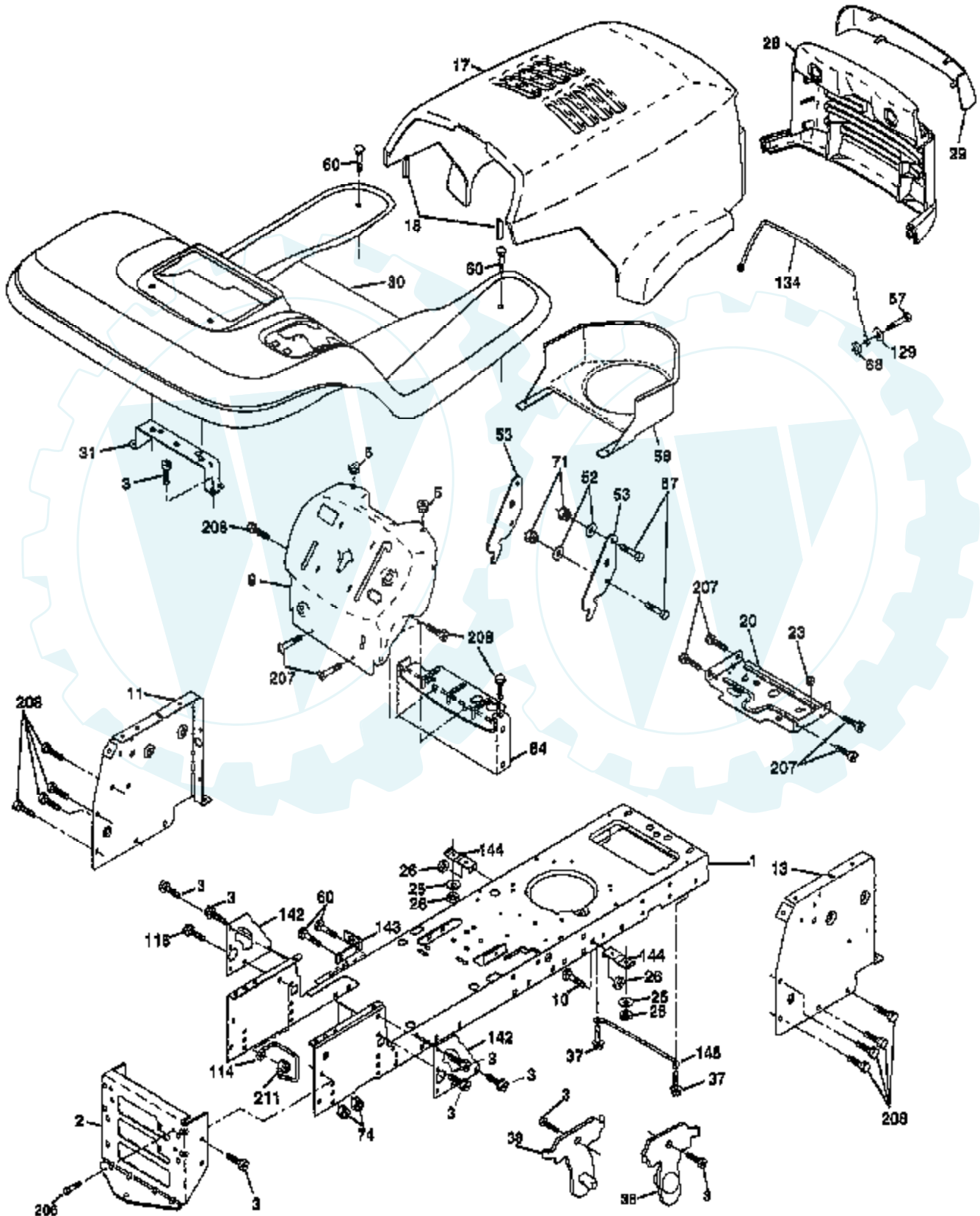


TRACTOR-MODEL NO. LT150 (HALT150E), PRODUCT NO. 954 11 00-21

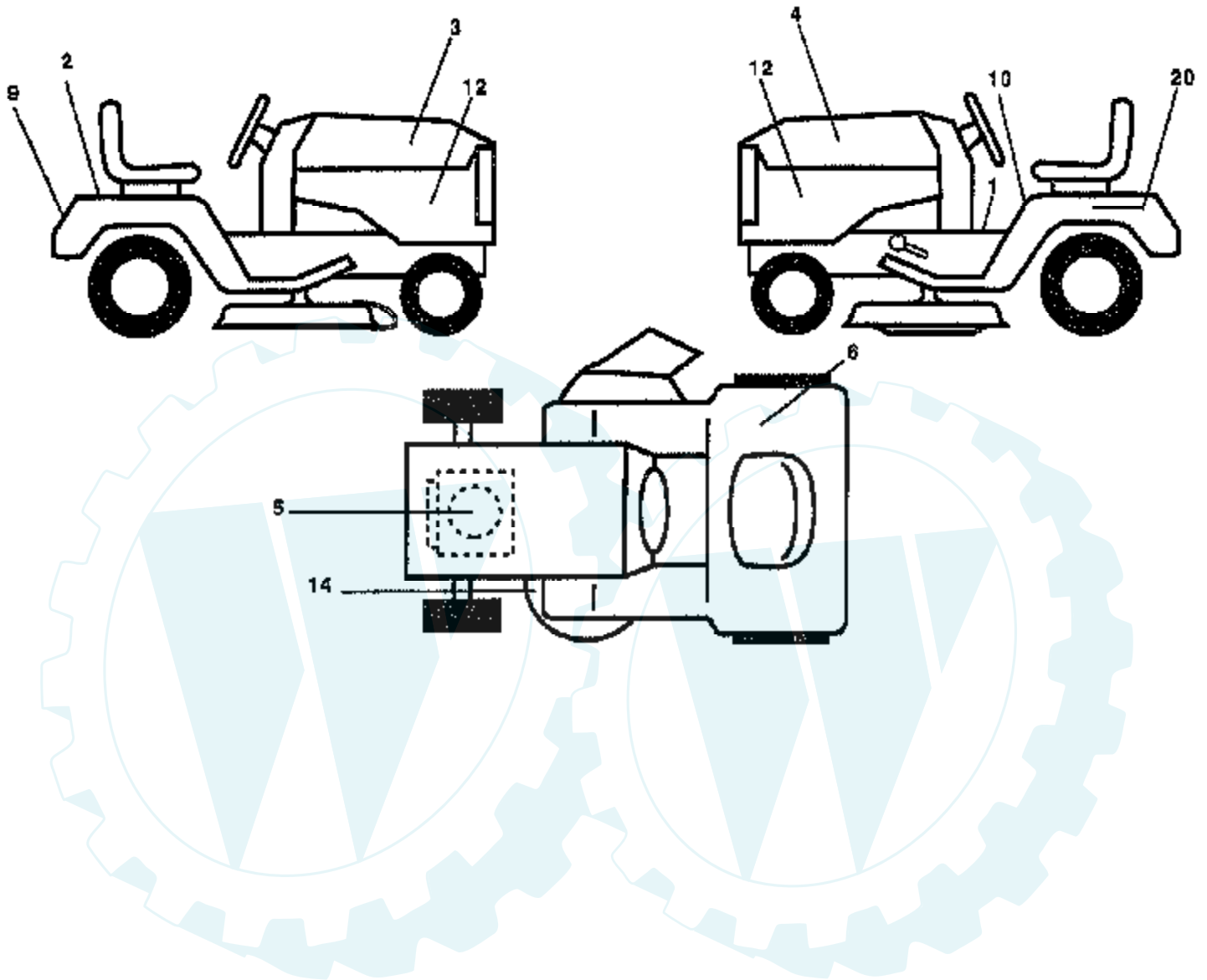
CHASSIS AND ENCLOSURES



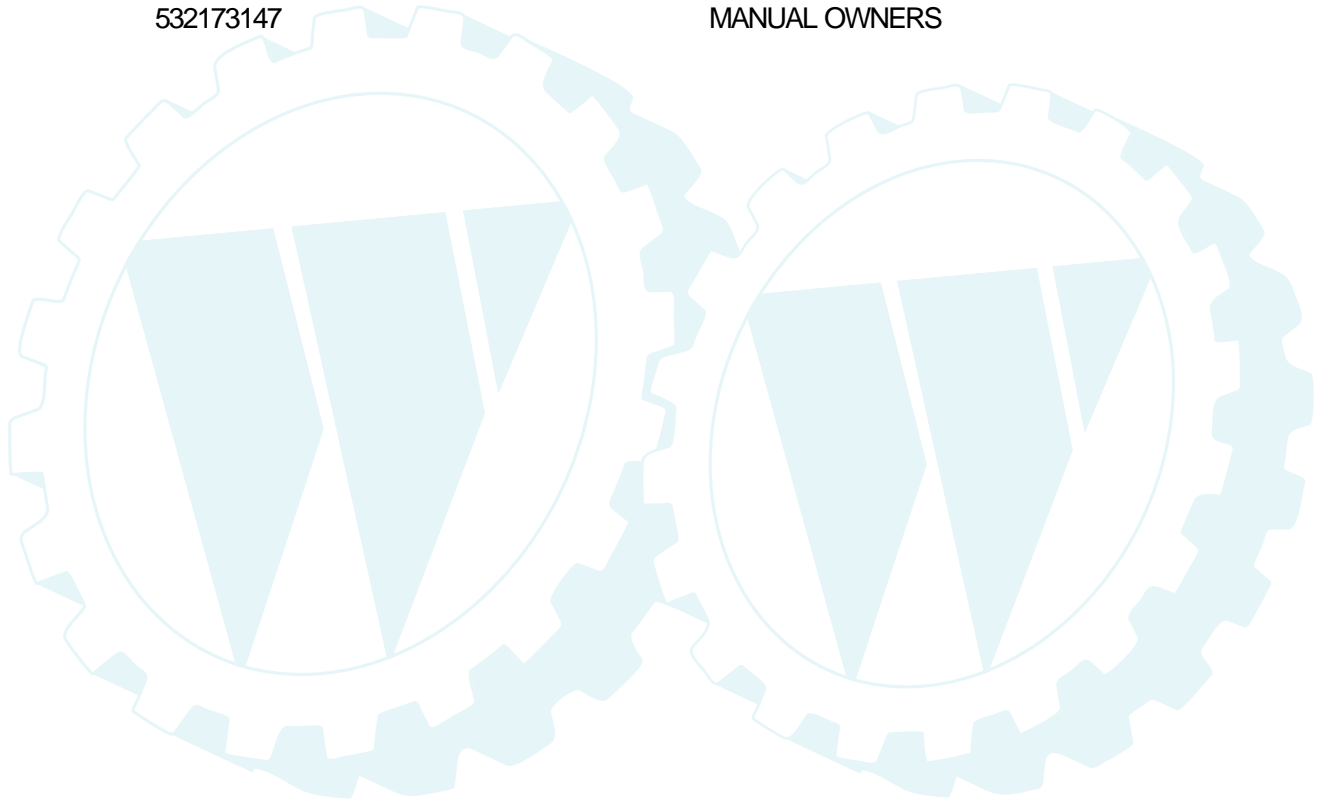
Ref #	Part Number	Qty	Description
1	532169830		CHASSIS STAMPING
2	532169061		DRAWBAR
3	817060612		SUB=17060612
5	532155272		SUB= 155272
9	532171708		DASH
10	872140608		BOLT CARRIAGE 3/8-16X1
11	532155927		SUB= 155927
13	532172108		PANEL DASH
17	532165378		HOOD
18	532126938		"BUMPER,HOOD T"
20	532156437		SUB= 156437
23	532124028		GROMMET T
25	819131312		WASHER
26	873800600		LOCKNUT
28	532165379		GRILLE
29	532165380		LENS
30	532171854		FENDER FOOTREST
31	532139976		SUB= 139976
37	817490508		SCREW, 5/16-18 X 1/2 HEX, SELF TAPPING
38	532169834		BRK ASM
51	873800400		NUT LOCK HEX W/INS 1/4-20
52	819091416		WASHER 9/32 X 7/8 X 16 GA
53	532150067		SUB= 150067X431
57	874780412		BOLT HEX 1/4-20 X 3/4
58	532150127		SUB= 150127
60	872140606		BOLT
64	532154798		SUB= 154798
68	873510400		LOCKNUT
71	873680400		NUT CROWNLOCK 1/4-20
74	873680600		NUT, CROWNLOCK 3/8-16
114	532158112		KEEPER BELT REAR
115	817060620		SCREW
129	819091016		WASHER 9/32 X 5/8 X 16 GA.
134	532160219		"ROD-SUPPORT,HOOD"
142	532165867		PLATE.REINFORCEMENT
143	532154966		SUB= 154966
144	532154207		SUB= 154207
145	532156524		SUB= 156524
206	532170165		BOLT SHOULDER
207	817670508		SCREW
208	817670608		SCREW
211	532145212		SUB= 145212
	532005479		SUB= 5479J

TRACTOR - MODEL NO. LT150 (HALT150E), PRODUCT NO. 954 11 00-21

DECALS

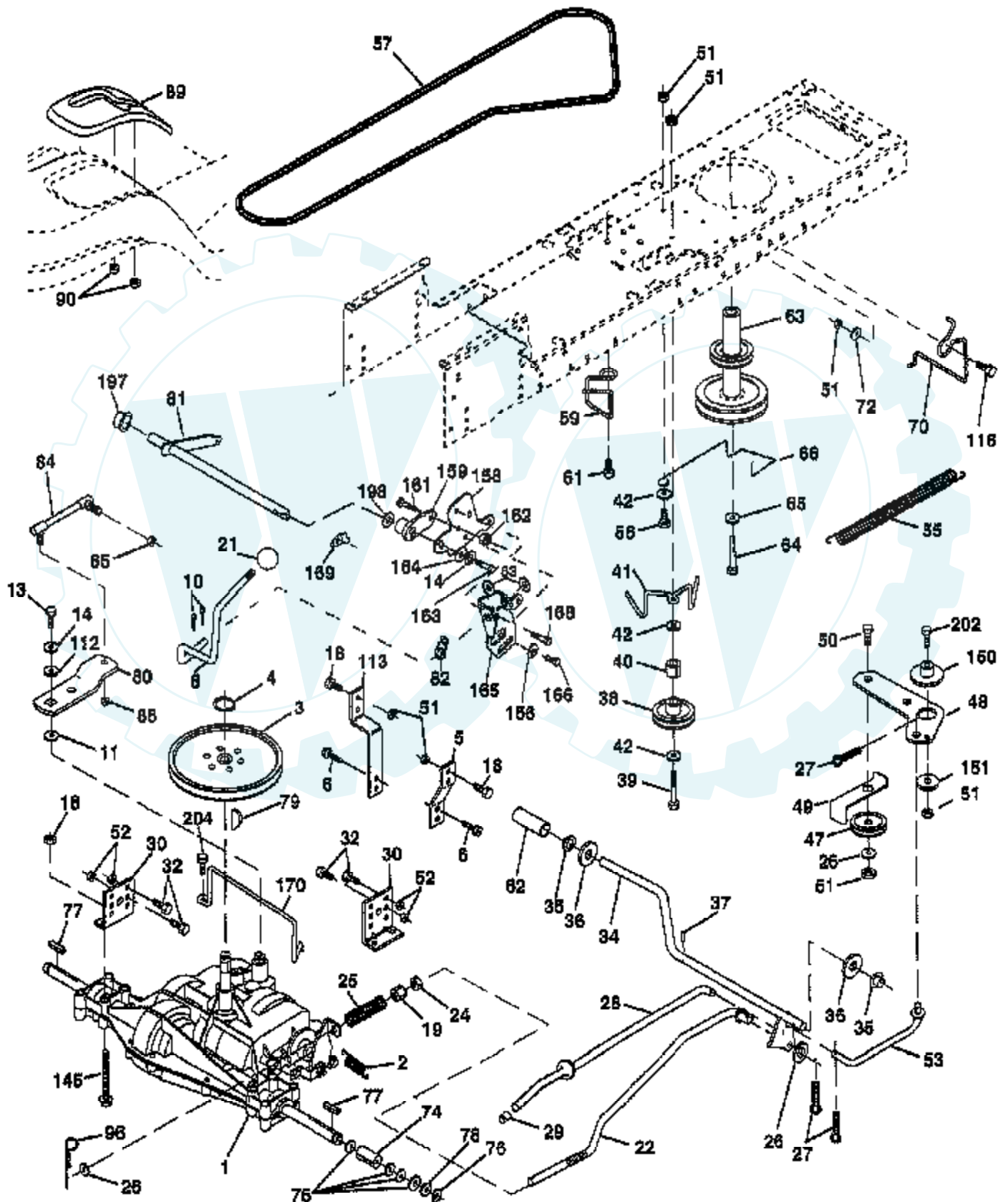


Ref #	Part Number	Qty	Description
1	532156368		DECAL.FENDER.ST.LT.OPER.INST
2	532168869		DECAL, TICK MARK
3	532155863		"DECAL HOOD,RH"
4	532155864		"DECAL HOOD,LH"
5	532171921		DECAL, HP ENGINE
6	532124433		SUB= 124433X
9	532150617		DECAL.FENDER.
10	532157002		"DECAL-FENDER,DANG"
12	532159713		SUB= 159713
14	532160396		"DECAL-SCHEM,BELT"
20	532145005		SUB= 145005
	532171284		PAD FOOTREST
	532171285		PAD FOOTREST
	532138311		SUB= 138311
	532173147		MANUAL OWNERS



TRACTOR - MODEL NO. LT150 (HALT150E), PRODUCT NO. 954 11 00-21

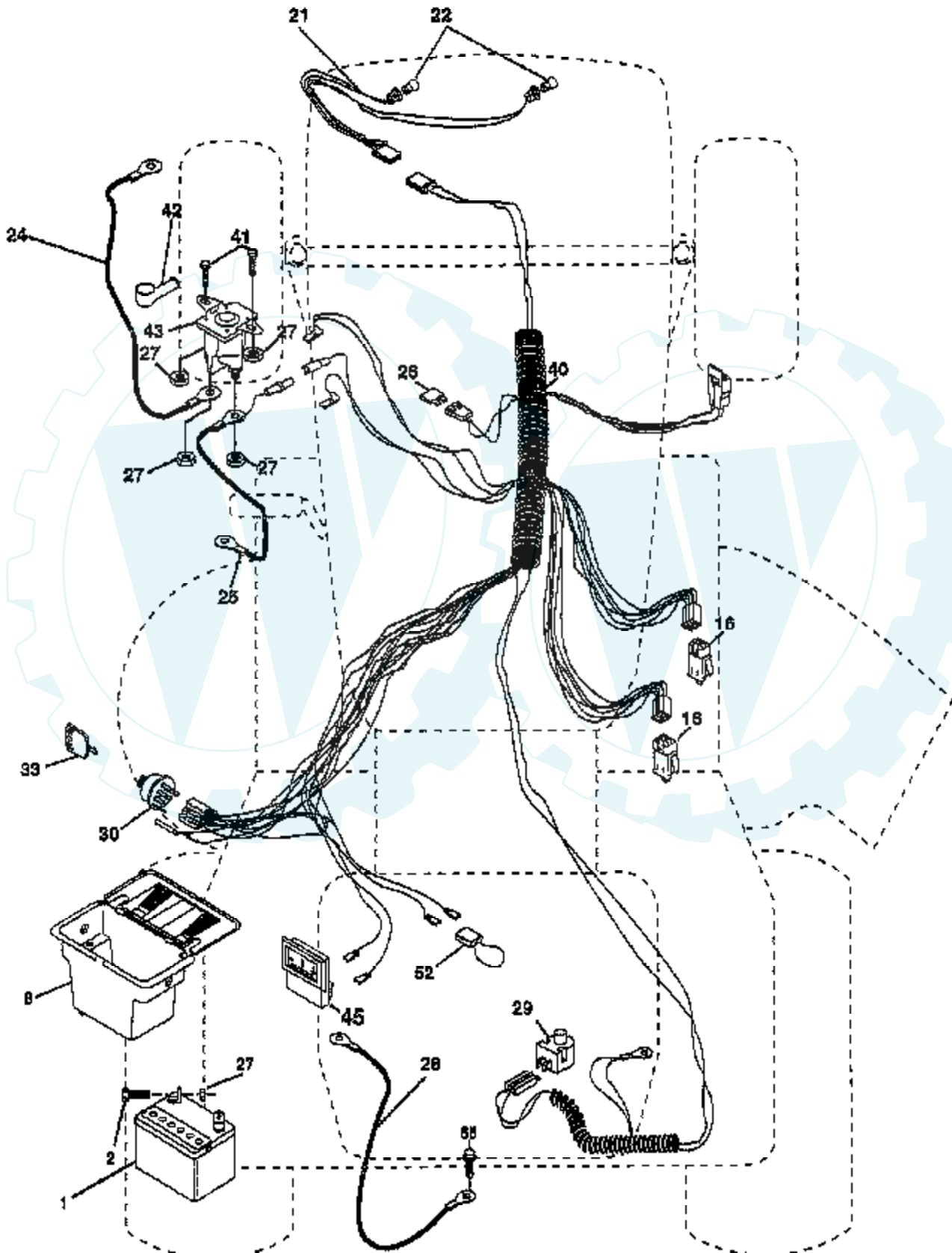
DRIVE



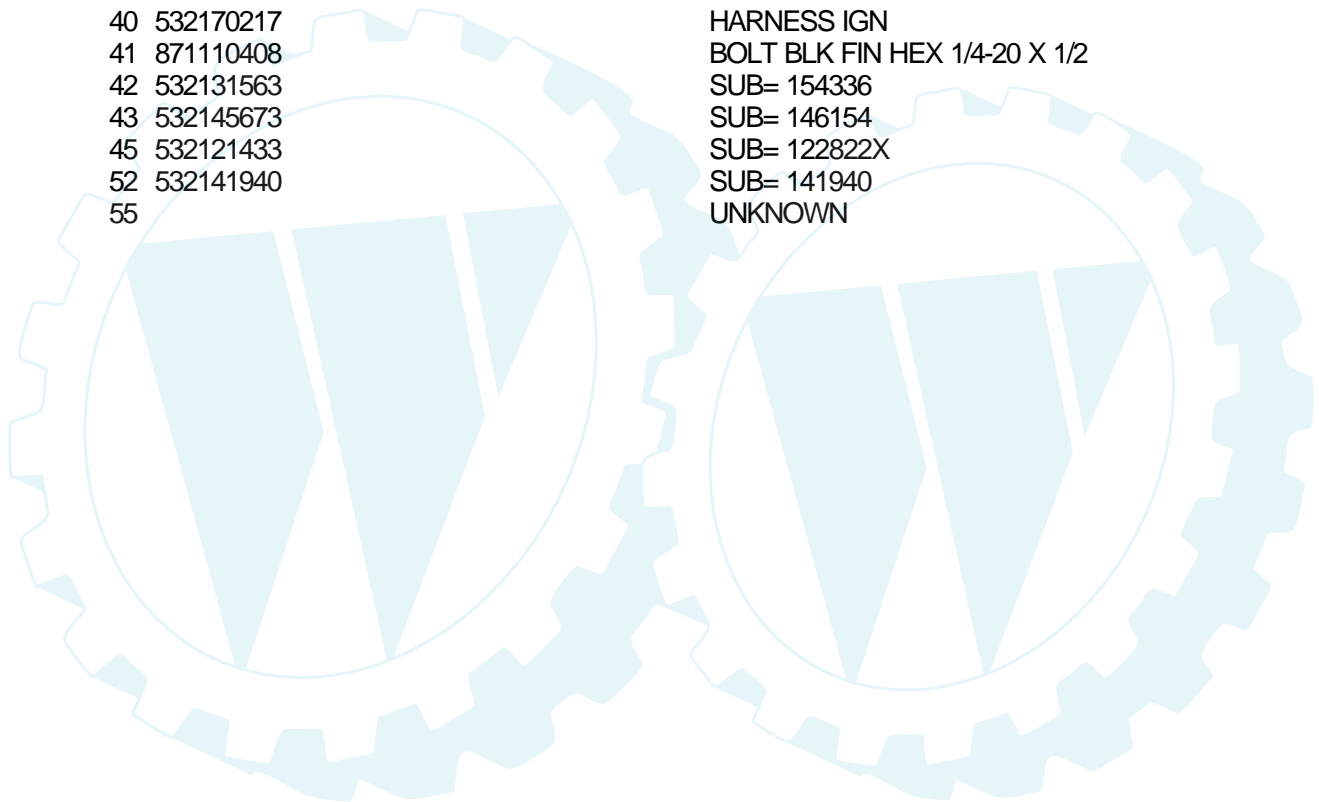
Ref #	Part Number	Qty	Description
1	SUPPLIER		CHECK WITH SUPPLIER
2	532146682		SUB= 146682
3	532123666		SUB= 123666X
4	812000028		RING, RETAINER
5	532121520		SUB= 121520X
6	817060512		SCREW
8	532165866		ROD.SHIFT.FENDER.ADJ
10	876020416		PIN COTTER 1/8 X 1 CAD
11	5321025701		WASHER
13	874550412		BOLT 1/4-28 GR 8 W/PATCH
14	810040400		WASHER, LOCK 1/4
16	873800500		LOCKNUT
18	874780616		BOLT FIN HEX 3/8-16 X 1
19	873800600		LOCKNUT
21	532140845		SUB= 140845
22	532130804		SUB= 130804
24	873350600		NUT HEX JAM 3/8-16 UNC
25	532106888		SUB= 106888X
26	819131316		WASHER 13/32 X 13/16 X 16 GA
27	876020412		PIN COTTER 1/8 X 3/4 CAD
28	532145204		SUB= 145204
29	532071673		SUB= 71673
30	532169592		BRK MTG TRANSAXLE
32	874760512		BOLT, HEX 5/16-18 X 3/4
34	532155071		SUB= 155071
35	532120183		SUB= 120183X
36	819211616		WASHER 21/32 X 1 X 16 GA
37	532124963		SUB= 2882J
38	532131494		SUB= 131494
39	872110622		BOLT RDHD 3/8-16 X 2-3/4 GR 5
40	532124965		SUB= 4470J
41	532165838		SUB= 165838
42	819131312		WASHER
47	532127783		SUB= 139245
48	532154407		SUB= 154407
49	532123205		SUB= 123205X
50	874760624		BOLT HEX HD 3/8-16 X 1-1/2
51	873680600		NUT, CROWNLOCK 3/8-16
52	873680500		LOCKNUT, CROWN 5/16-18
53	532105710		SUB= 105710X
55	532105709		SUB= 105709X
56	874760620		BOLT, HEX 3/8-16 X 1-1/4
57	532130801		SUB= 138255
59	532169691		KEEPER BELT
61	817060612		SUB=17060612
62	532123533		SUB= 123533X
63	532140186		SUB= 140186
64	871170764		BOLT HEX
65	810040700		WASHER LOCK HVY HLCL SPR 7/16
66	532154778		SUB= 154778
70	532134683		SUB= 134683
72	819132012		WASHER 13/32 X 1-1/4 X 12 GA
74	532137057		SUB= 137057
75	532121749		SUB= 121749X
76	812000001		E-RING #5133-75
77	532123583		SUB= 123583X
78	532121748		SUB= 121748X
79	532125096		SUB= 2228M1

Ref #	Part Number	Qty	Description
80	532145090		SUB= 145090
81	532165592		SHAFT ASM CROSS TAPERED
82	532165711		SPRING
83	819171216		WASHER 17/32 X 3/4 X 16 GA
84	532166231		TRANSAXLE LINK
85	532150360		SUB= 150360
89	532166561		SUB= 158391X428
90	532124346		SUB= 124346X
96	532124788		SUB= 4497H
112	819091210		WASHER 9/32 X 3/4 X 10 GA
113	532127285		SUB= 127285X
116	872110610		BOLT RDHD SQ NECK 3/8-16 X 1.25
145	874490540		BOLT
150	532165850		BUSHING BELLCRANK
151	819133210		WASHER
156	532166002		WASHER.SORTED
158	532165589		BRKT.SHIFT.MOUNT
159	532165494		HUB.TAPERRED FLANGE SHIFT
161	872140406		BOLT, CARRIAGE 1/4-20 X 3/4
162	873680400		NUT CROWNLOCK 1/4-20
163	874780416		BOLT
164	819091010		WASHER
165	532165623		BRKT.PIVOT.LEVER
166	532166880		SCREW 5/16-18X5/8
168	532165492		BOLT SHOULDER 5/16-18X.561
169	532165580		PLATE.FASTENING.CROSS.SHAFT
170	532165849		KEEPER BELT
197	532169613		NYLINER SNAP-IN
198	532169593		WASHER
202	872110612		BOLT, CARRIAGE 3/8-16 X 1-1/2 GR.5
204	817060516		SCREW

TRACTOR-MODEL NO. LT150 (HALT150E), PRODUCT NO. 954 11 00-21
ELECTRICAL

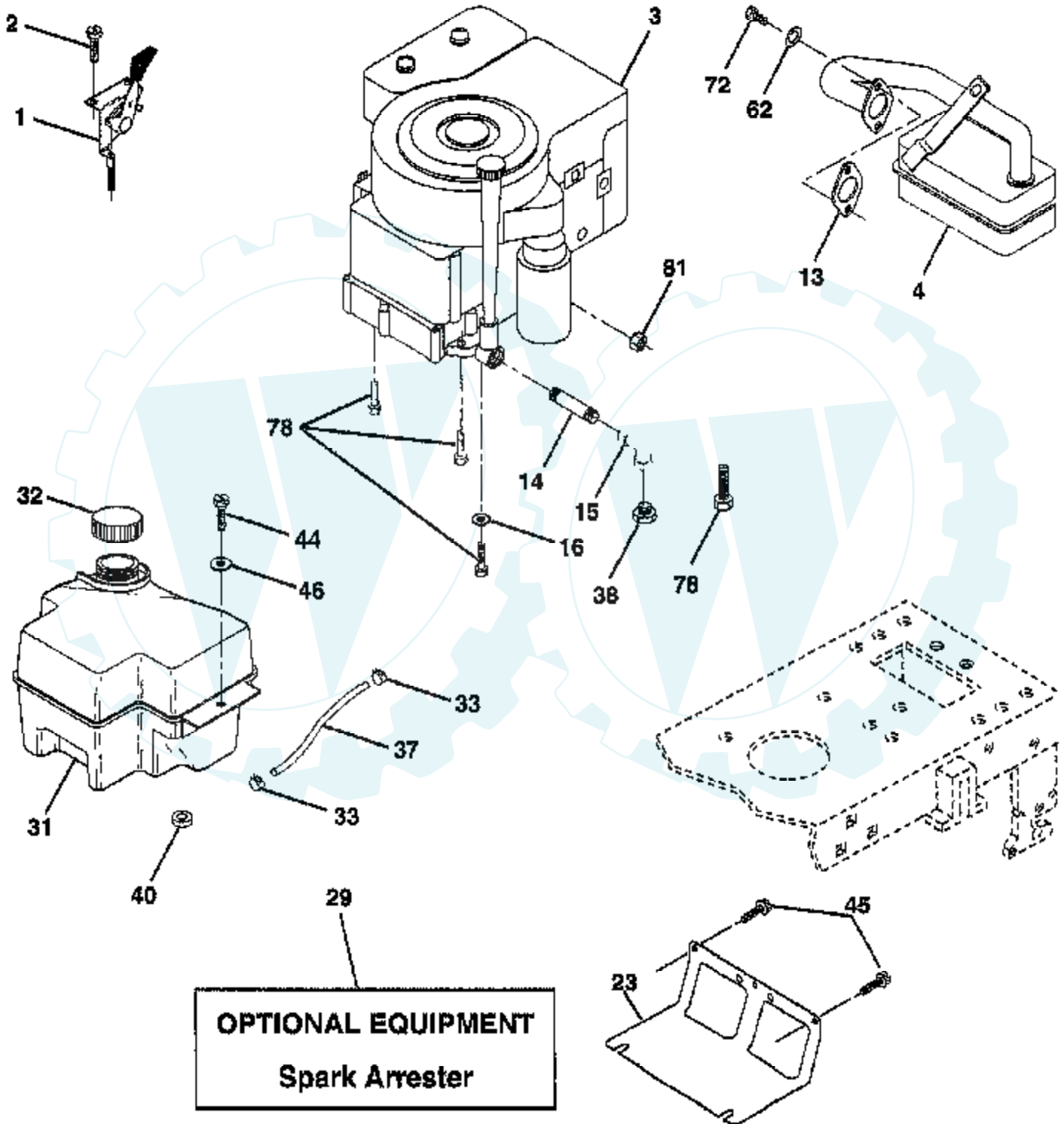


Ref #	Part Number	Qty	Description
1	532144925		SUB= 123899X
2	874760412		BOLT HEX HD 1/4-20 X 3/4
8	532156417		SUB= 156417
16	532153664		SUB= 153664
21	532166181		HARNESS ASM
22	532004152		SUB= 4152J
24	532124780		SUB= 4799J
25	532146147		SUB= 146147
26	532166180		FUSE.15 AMP
27	873510400		LOCKNUT
28	532124773		SUB= 4207J
29	532121305		SUB= 121305X
30	532163968		SUB= 163968
33	532140401		SUB= 140401
40	532170217		HARNESS IGN
41	871110408		BOLT BLK FIN HEX 1/4-20 X 1/2
42	532131563		SUB= 154336
43	532145673		SUB= 146154
45	532121433		SUB= 122822X
52	532141940		SUB= 141940
55			UNKNOWN

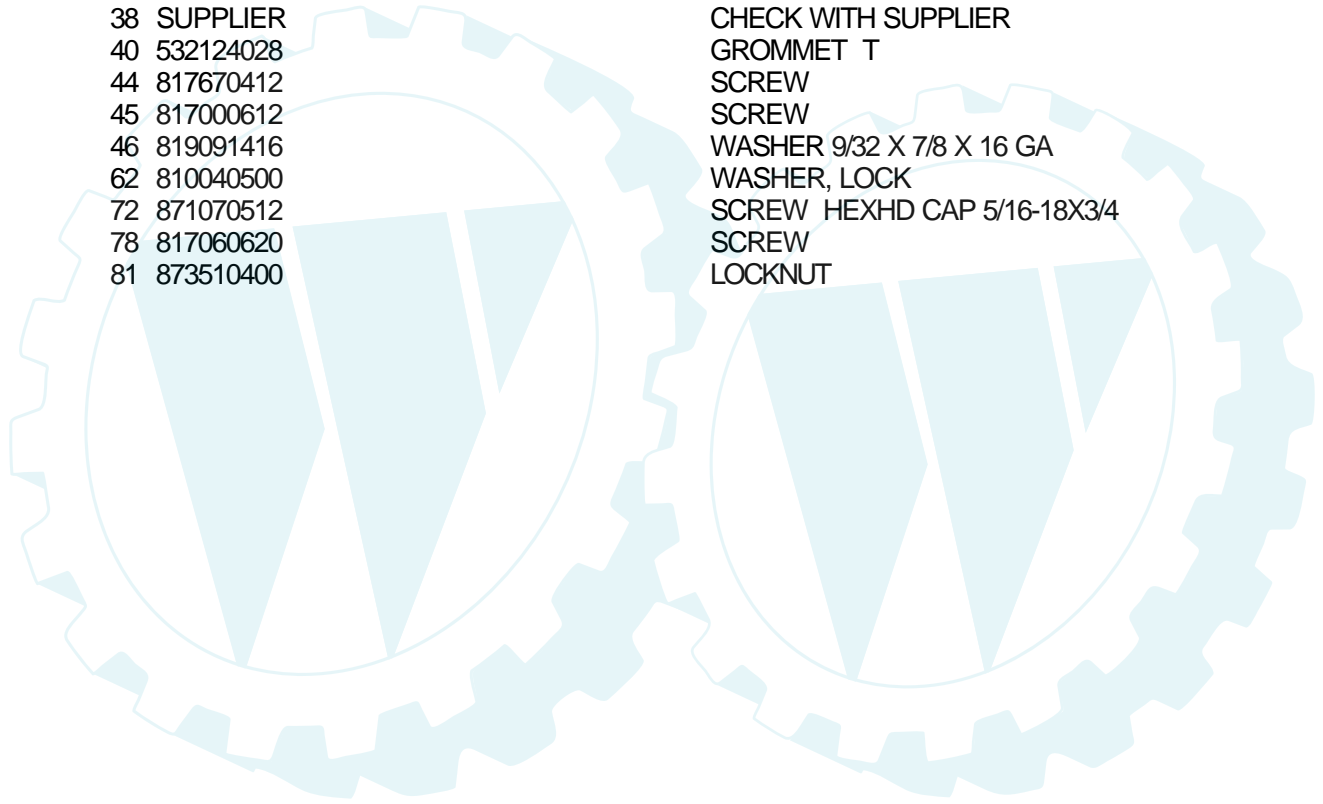


TRACTOR - MODEL NO. LT150 (HALT150E), PRODUCT NO. 954 11 00-21

ENGINE



Ref #	Part Number	Qty	Description
1	532140310		SUB= 140310
2	817720410		SCREW HEX THD CUT 1/4-20X5/8 T
3	SUPPLIER		CHECK WITH SUPPLIER
4	532137352		SUB= 137352
13	532165291		SUB= 165291
14	813280324		NIPPLE PIPE 3/8 NPT X 3"
15	813200300		ELBOW STD 90 DEGREE 3/8-18 NPT
16	811050600		WASHER LOCK
23	532169837		SHIELD BRN/DBR GUARD
29	532137180		KIT.ARREST.SPARK (392-390)
31	532161911		SUB= 161911
32	532140527		SUB= 140527
33	532123487		SUB= 123487X
37	532137040		SUB= 137040
38	SUPPLIER		CHECK WITH SUPPLIER
40	532124028		GROMMET T
44	817670412		SCREW
45	817000612		SCREW
46	819091416		WASHER 9/32 X 7/8 X 16 GA
62	810040500		WASHER, LOCK
72	871070512		SCREW HEXHD CAP 5/16-18X3/4
78	817060620		SCREW
81	873510400		LOCKNUT

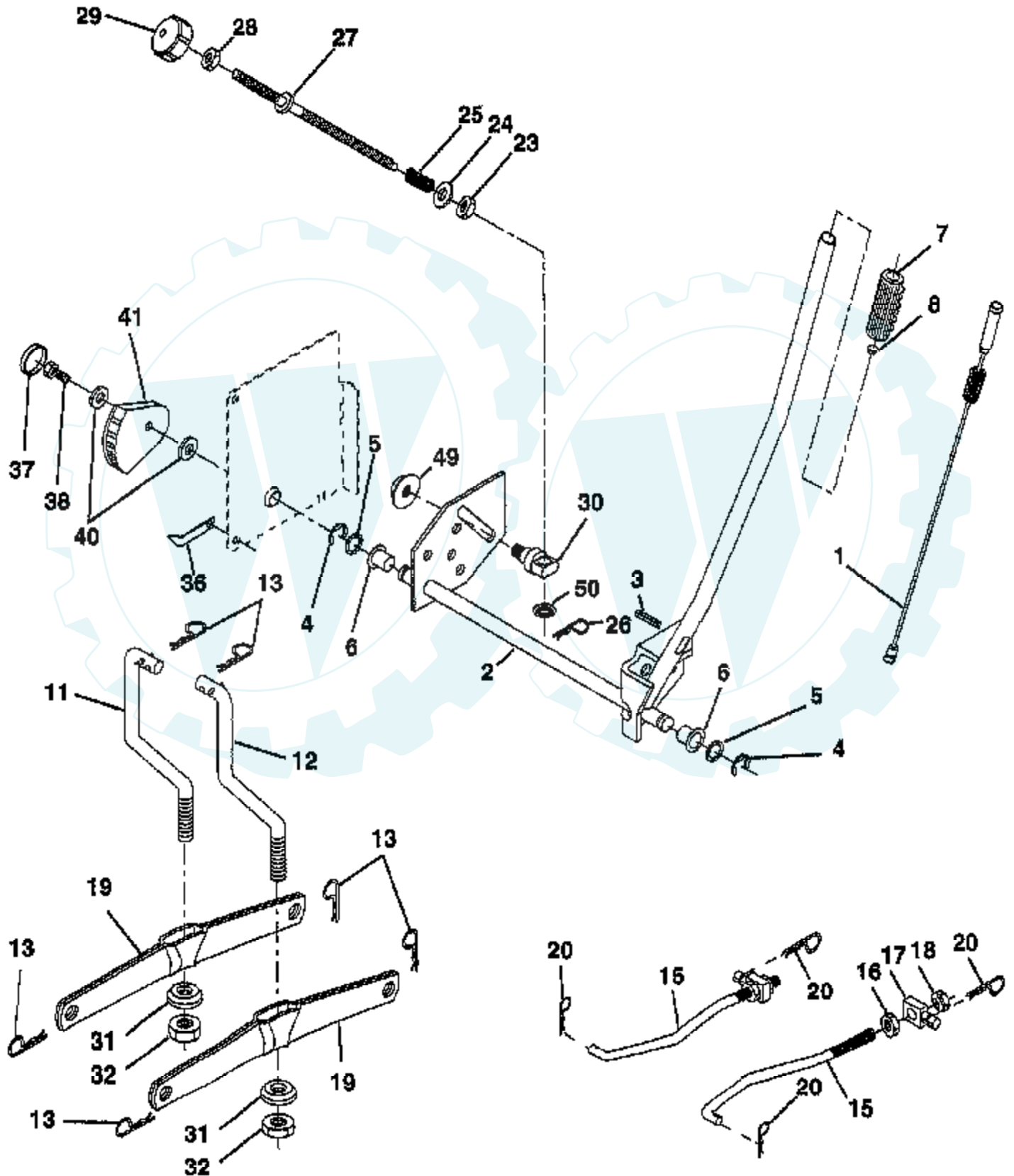


Ref #	Part Number	Qty	Description
1	532165892		DECK ASM
2	872140506		BOLT, CARRIAGE
3	532138017		SUB= 138017
4	532165460		BRKT ASM
5	532130832		SUB= 130833
6	532130832		SUB= 130833
8	532850857		SUB= 850857
9	810030600		WASHER LOCK HVY 3/8
10	532140296		SUB= 140296
11	532134149		SUB= 134149
12	532129895		SUB= 129895
13	532137645		SUB= 137646
14	532128774		SUB= 128774
15	532110485		SUB= 110485X
16	532140329		SUB= 140329
18	872140505		BOLT RDHD SQNK 5/16-18 X 5/8
19	532132827		SUB= 132827
20	532159770		SUB= 159770
21	873680500		LOCKNUT, CROWN 5/16-18
22	532134753		SUB= 134753
23	532131267		SUB= 131267
24	532105304		SUB= 105304X
25	532123713		SUB= 123713X
26	532110452		SUB= 110452X
27	532171859		SHIELD DEFLECTOR MOWER
28	819111016		WASHER 11/32 X 5/8 X 16 GA
29	532131491		SUB= 131491
30	532157722		SUB= 157722
31	532129963		SUB= 129963
32	532153535		SUB= 153535
33	532137266		SUB= 139729
34	872110614		BOLT
35	532133835		SUB= 133835
36	532131494		SUB= 131494
37	819131316		WASHER 13/32 X 13/16 X 16 GA
40	873680600		NUT, CROWNLOCK 3/8-16
44	532140088		SUB= 140088
45	532124788		SUB= 4497H
46	532137729		SUB= 137729
48	532133944		WASHER HARDENED SMALLER
49	532155066		SUB= 155066
50	532131340		SUB= 131340
51	532069180		SUB= 69180
52	532139888		SUB= 139888
53	532131845		SUB= 131845
54	532133943		SUB= 133943
55	532155046		SUB= 155046
56	532165723		SPACER
59	532141043		SUB= 141043
67	532106932		SUB= 106932X
68	532144959		SUB= 144959
90	874760616		BOLT FIN HEX 3/8-16 X 1
91	532132274		BRK ASM ROLLER LH
92	873800600		LOCKNUT
93	819171416		WASHER, 17/32 X 7/8 X 16 GA.
94	532132264		NOSE ROLLER
95	532132273		BRK ASM ROLLER RH
111	532155197		SUB= 155197

Ref #	Part Number	Qty	Description
112	532155198		SUB= 155198
113	817060512		SCREW
114	873510500		NUT, KEPS 5/16-18
115	872110504		BOLT
116	532124842		SUB= 4898H
117	532165746		WHEEL GAUGE
118	873930600		NUT, CENTER LOCK 3/8-16
119	819121414		WASHER 3/8 X 7/8 X 14 GA.
121	532143723		SUB= 143723
128	532153390		SUB= 153390
129	819131312		WASHER
130	874780616		BOLT FIN HEX 3/8-16 X 1
131	872140608		BOLT CARRIAGE 3/8-16X1
142	532165890		ARM SPRING BRAKE MOWER
143	532157109		BRKT ARM IDLER
144	532158634		KEEPER BELT
145	532165888		PULLEY IDLER FLAT
146	532165891		BOLT
147	532131335		SUB= 131335
148	532169022		SPRING
149	532169898		RETAINER
150	819091216		WASHER, 9/32 X 3/4 X 16 GA.
151	532169670		BRACKET CLUTCH CABLE
152	532169676		42" CLUTCH CABLE
153	532169674		WASHER
154	532169675		SPRING RETAINER
155	532169671		SPRING RETENTION LEVER
156	532169672		SPACER
157	532169669		ROD
158	817720410		SCREW HEX THD CUT 1/4-20X5/8 T
159	872140614		BOLT
	532130794		SUB= 130794
	532169583		DECK

TRACTOR-MODEL NO. LT150 (HALT150E), PRODUCT NO. 954 11 00-21

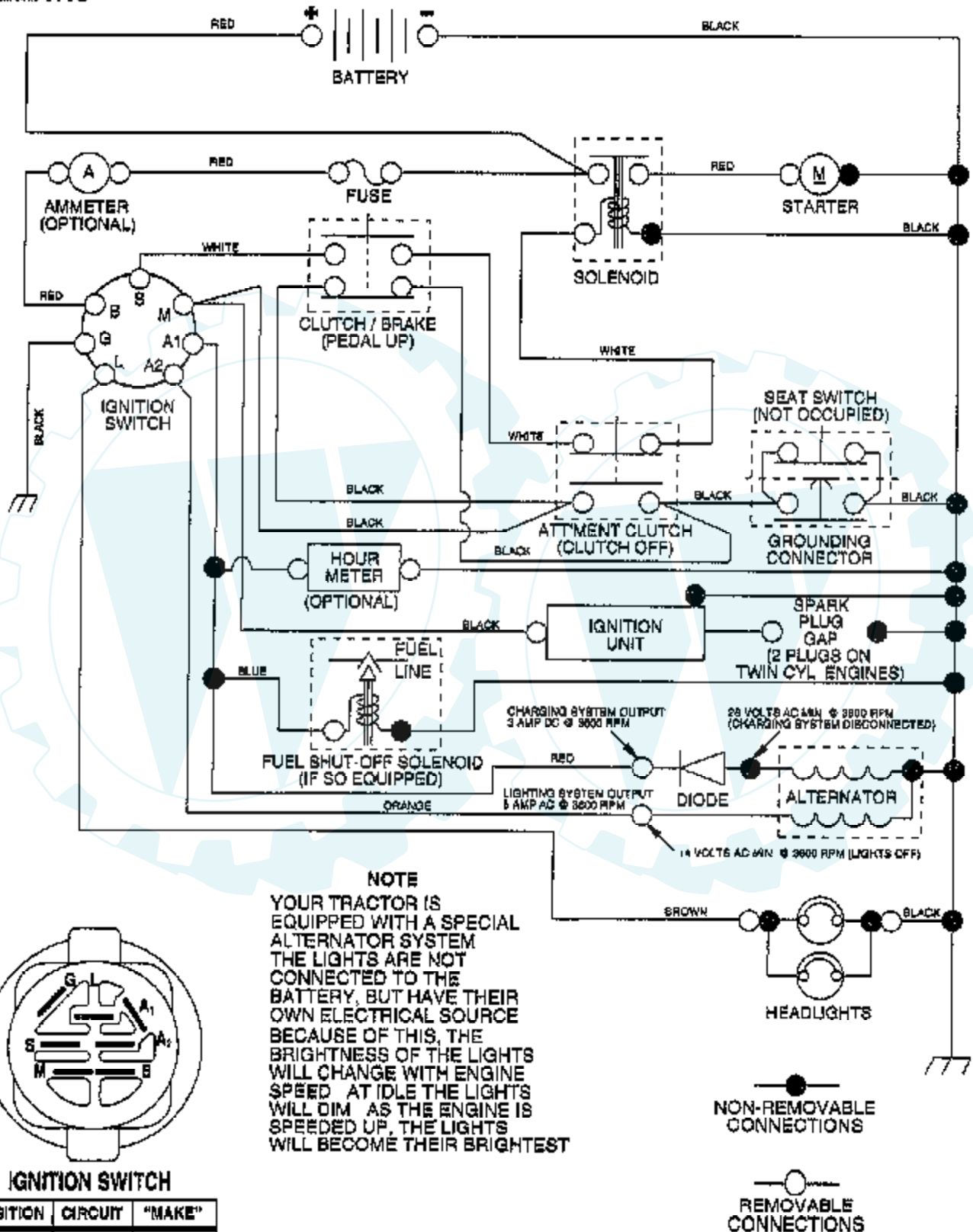
MOWER LIFT



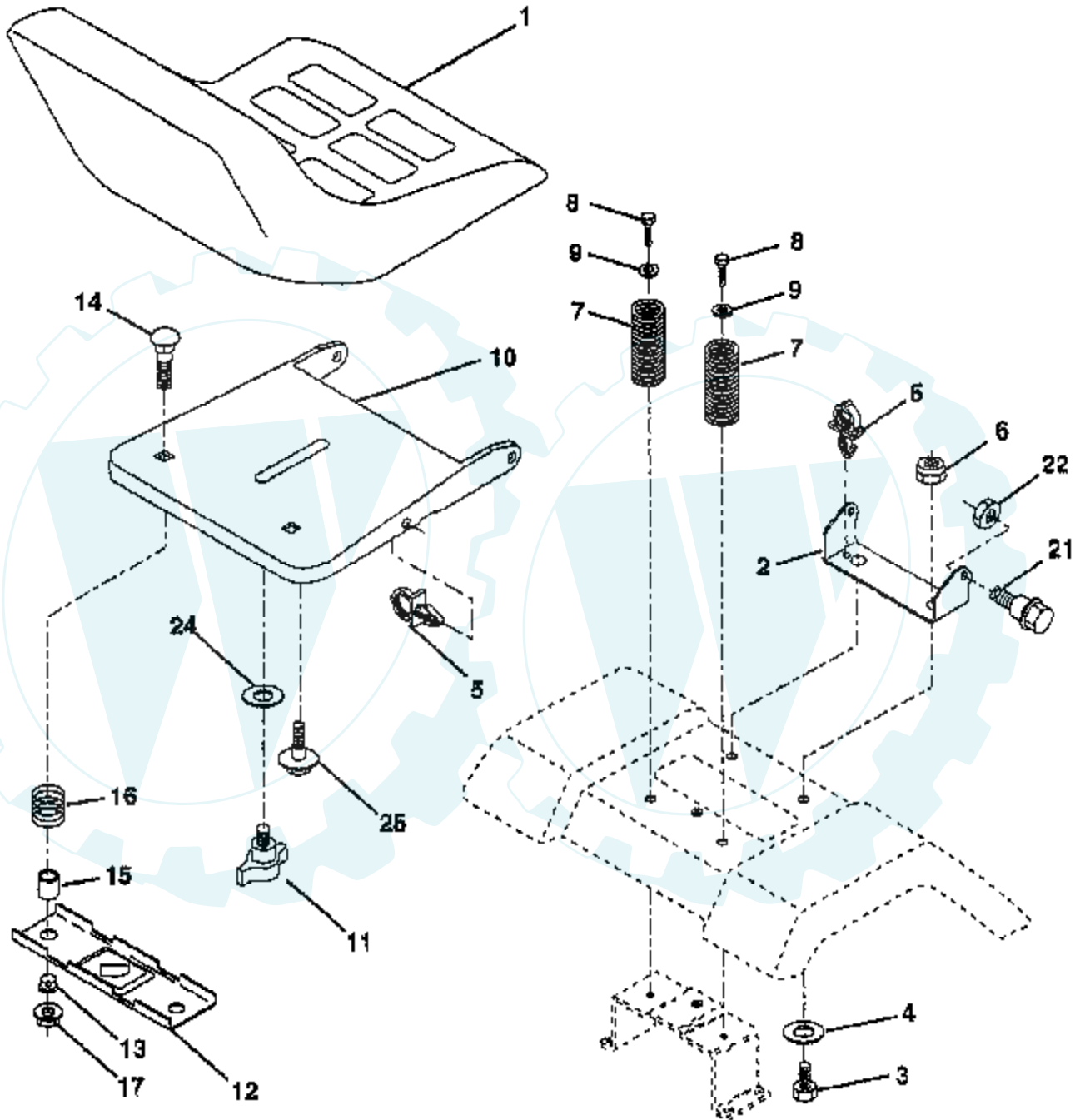
Ref #	Part Number	Qty	Description
1	532159460		SUB= 159460
2	532159471		SUB= 159471
3	532105767		SUB= 105767X
4	812000002		E RING #5133-62
5	819211621		WASHER PLTD 21/32 X 1 X 21 GA
6	532120183		SUB= 120183X
7	532125631		SUB= 125631X
8	532124526		SUB= 125925X
11	532139865		SUB= 145537
12	532139866		SUB= 151140
13	532124670		SUB= 85902
15	532167253		LINK FRT
16	873350800		NUT JAM HEX 1/2-13
17	532130171		SUB= 130171
18	873800800		NUT LOCK W/WSH 1/2-13
19	532139868		SUB= 139868
20	532163552		RETAINER SPRING
23	532110807		SUB= 110807X
24	819131016		WASHER, 13/32 X 5/8 X 16 GA.
25	532124874		SUB= 2876H
26	532169484		RETAINER CLIP
27	532126971		"ROD,ADJ"
28	873350600		NUT HEX JAM 3/8-16 UNC
29	532138057		SUB= 138057
30	532150233		SUB= 150233
31	532140302		SUB= 140302
32	873540600		NUT CROWNLOCK 3/8-24
36	532155097		SUB= 155097
37	532123935		SUB= 123935X
38	817060516		SCREW
40	819112410		WASHER 11/32X1.5X10 GA
41	532155098		SUB= 155098
49	532145212		SUB= 145212
50	532110452		SUB= 110452X

TRACTOR - MODEL NO. LT150 (HALT150E), PRODUCT NO. 954 11 00-21

SCHEMATIC

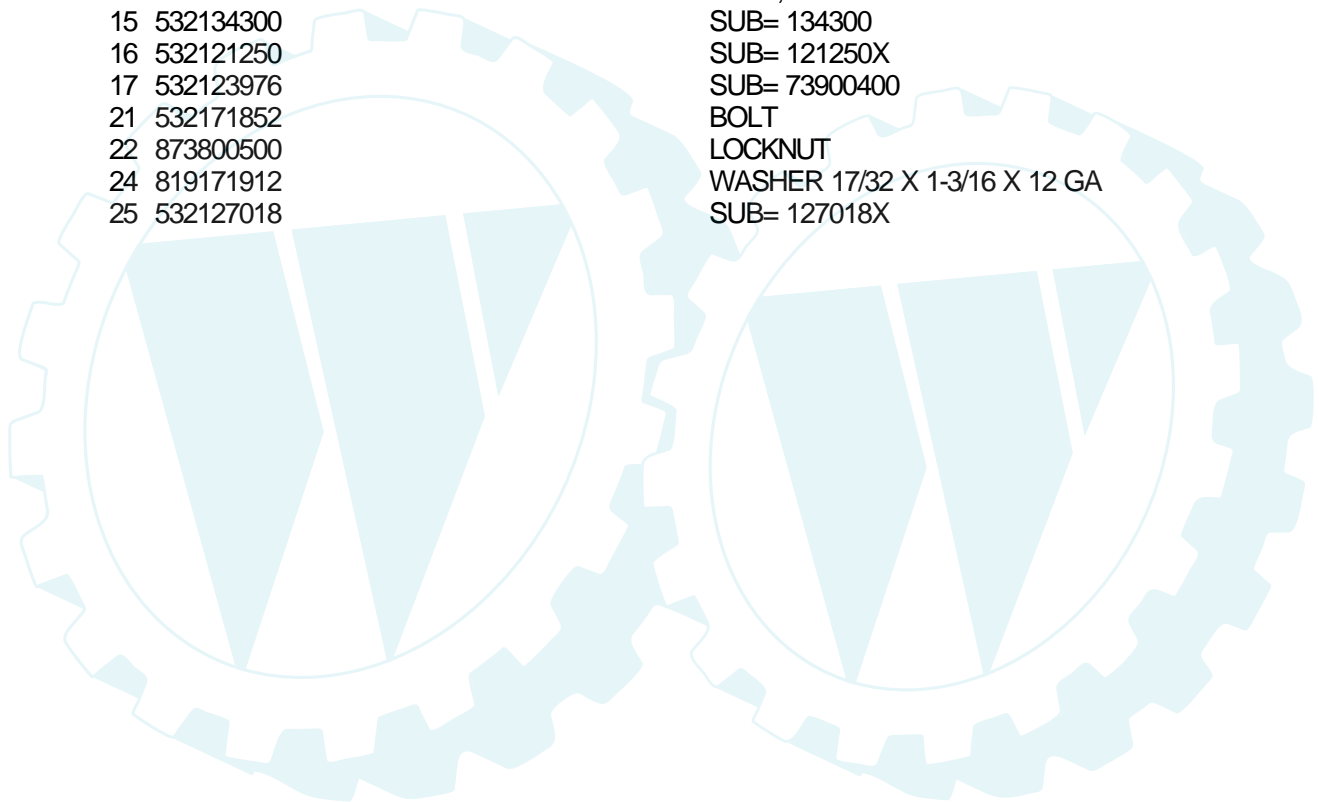


TRACTOR-MODEL NO. LT150 (HALT150E), PRODUCT NO. 954 11 00-21 SEAT ASSEMBLY

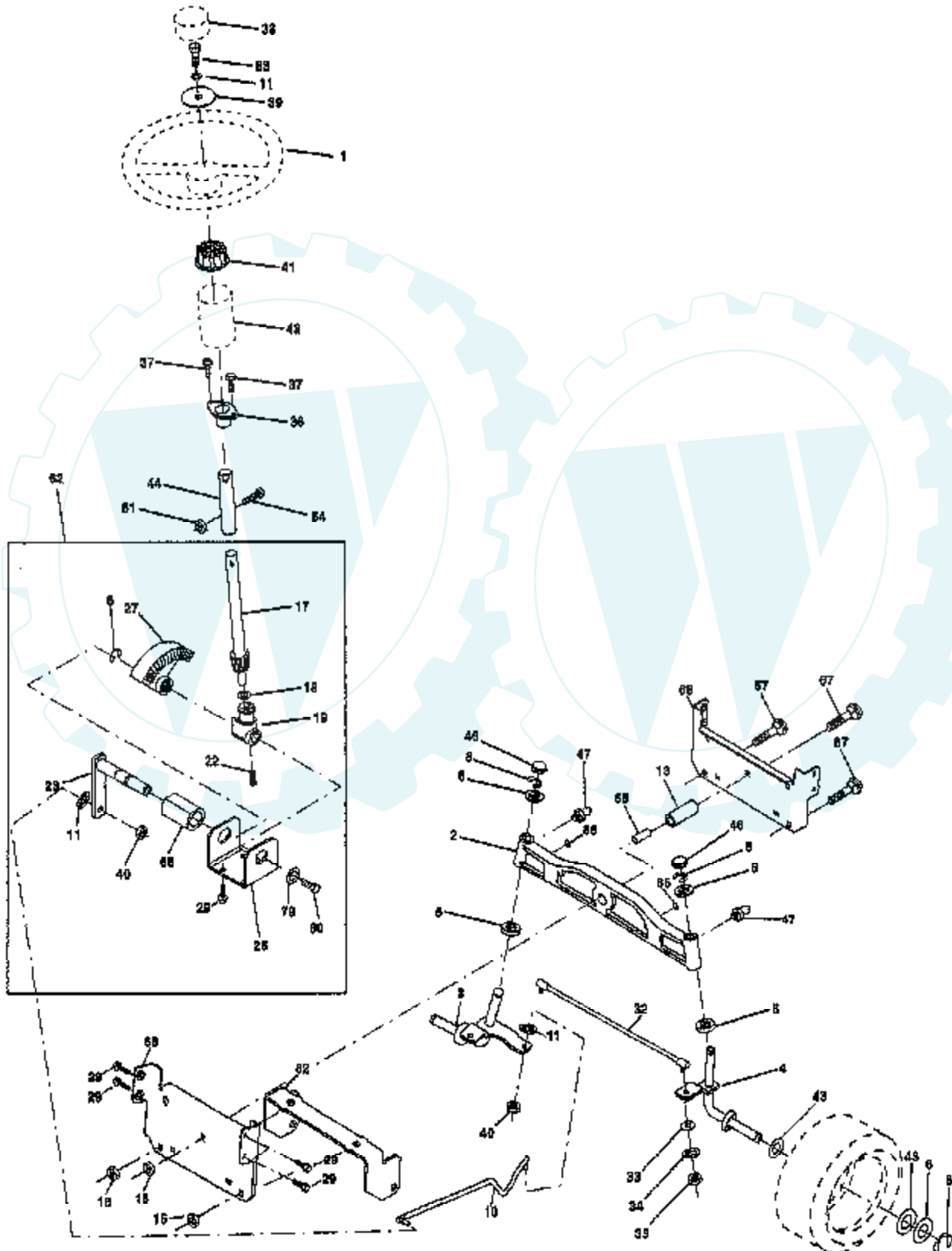


NOTE: All component dimensions given in U.S. inches
1 inch = 25.4 mm

Ref #	Part Number	Qty	Description
1	532140839		SEAT.2400.GRY/BLK
2	532140551		SUB= 140551
3	874760616		BOLT FIN HEX 3/8-16 X 1
4	819131610		WASHER 13/32 X 1 X 10 GA
5	532145006		SUB= 145006
6	873800600		LOCKNUT
7	532124181		SUB= 124181X
8	817000616		SCREW
9	819131614		WASHER 13/32 X 1 X 14 GA
10	532155925		SUB= 155925
11	532166369		KNOB SEAT
12	532121246		SUB= 121246X
13	532121248		SUB= 121248X
14	872050412		BOLT, CARRIAGE 1/4-20 X 1-1/2
15	532134300		SUB= 134300
16	532121250		SUB= 121250X
17	532123976		SUB= 73900400
21	532171852		BOLT
22	873800500		LOCKNUT
24	819171912		WASHER 17/32 X 1-3/16 X 12 GA
25	532127018		SUB= 127018X



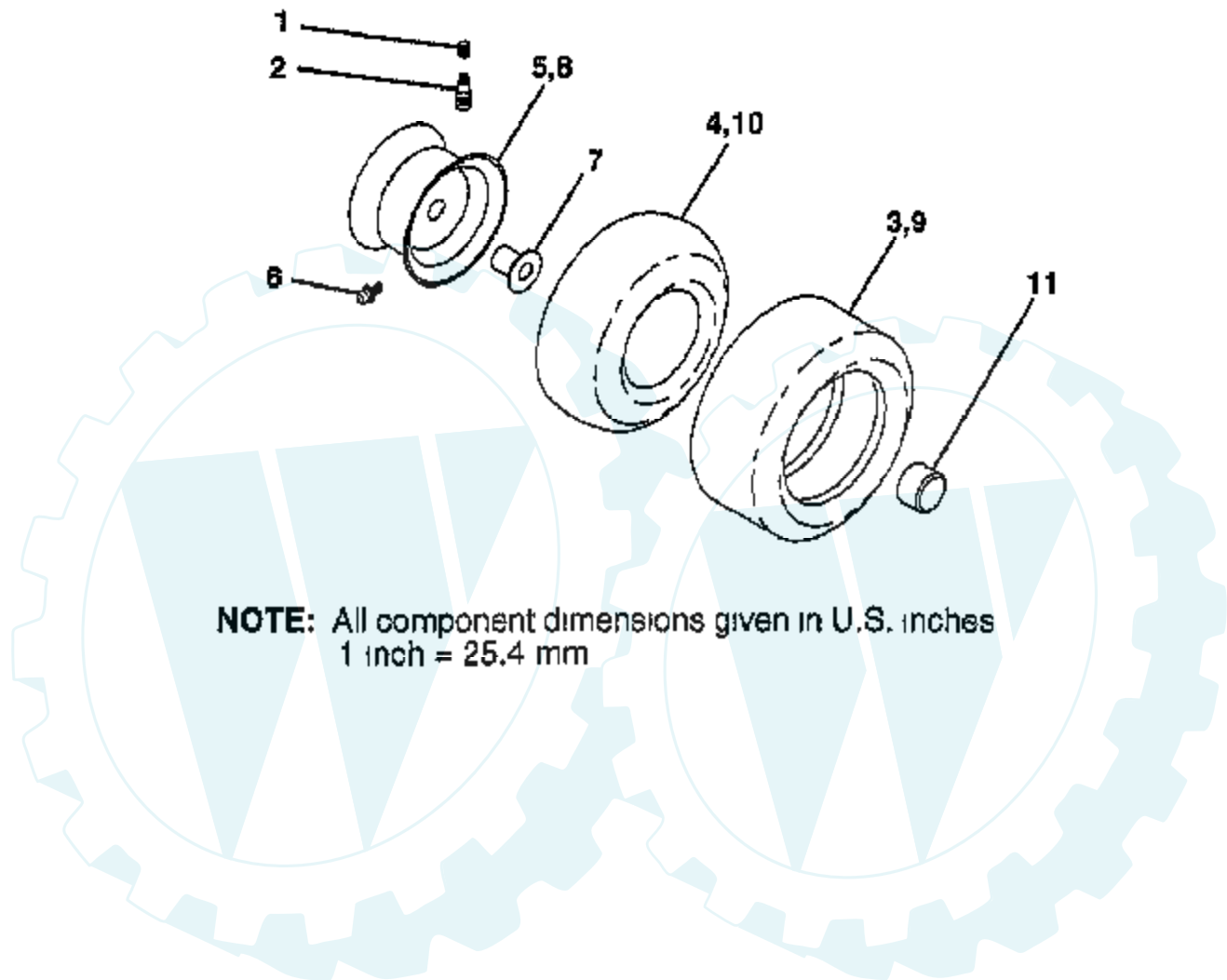
TRACTOR-MODEL NO. LT150 (HALT150E), PRODUCT NO. 954 11 00-21
STEERING ASSEMBLY



Ref #	Part Number	Qty	Description
1	532124415		STEERING WHEEL
2	532165854		AXLE ASM
3	532169840		SPINDLE ASM
4	532169839		SPINDLE ASM
5	532124931		SUB= 6266H
6	532121748		SUB= 121748X
8	812000029		RING KLIP #T5304-75
10	532169832		LINK DRAG
11	810040600		WASHER LOCK HVY HLCL SPR 3/8
13	532136518		SUB= 136518
15	532145212		SUB= 145212
17	532156546		SUB= 156546
18	532057079		SUB= 57079
19	532160395		SUPPORT SHAFT
22	532165857		SCREW
23	532165851		SHAFT ASM PITTMAN
25	532154406		SUB= 154406
27	532136874		SUB= 136874
29	817060612		SUB=17060612
32	532171888		ROD TIE
33	819111216		WASHER 11/32 X 3/4 X 16 GA
34	810040500		WASHER, LOCK
35	873540500		CROWNLOCK NUT
36	532155099		SUB= 155099
37	532152927		SUB= 152927
38	532124416		"INSERT,STR WHEEL"
39	819133812		WASHER
40	532124701		SUB= 7810H
41	232100711		ADAPTER WHEEL STRG
42	532169634		BOOT STEERING SHAFT
43	532121749		SUB= 121749X
44	532153720		SUB= 153720
46	532121232		SUB= 121232X
47	532124836		SUB= 6855M
51	873800500		LOCKNUT
54	874780520		BOLT FIN HEX 5/16-18 UNC X 1-1/4
62	532167902		KIT
63	874780616		BOLT FIN HEX 3/8-16 X 1
65	532160367		SUB= 160367
66	532154404		SUB= 154404
67	872140618		BOLT RDHD SQ 3/8-16 X 2-1/4
68	532169827		AXLE
79	819132012		WASHER 13/32 X 1-1/4 X 12 GA
80	874950612		BOLT
82	532169635		BRKT
85	532133835		SUB= 133835

TRACTOR - MODEL NO. LT150 (HALT150E), PRODUCT NO. 954 11 00-21

WHEELS & TIRES



Ref #	Part Number	Qty	Description
1	532059192		SUB= 59192
2	532065139		SUB= 65139
3	532106222		SUB= 122073X
4	PARTSIMAGE		REFER TO PARTS IMAGE
4	532059904		SUB= 59904
5	532138336		SUB= 106732X417
8	532124957		SUB= 278H
7	532124959		SUB= 9040H
8	532138337		SUB= 106108X417
9	532122062		TIRE
10	PARTSIMAGE		REFER TO PARTS IMAGE
10	532124926		SUB= 7152J
11	532104757		SUB= 104757X
	532144334		SUB= 144334

