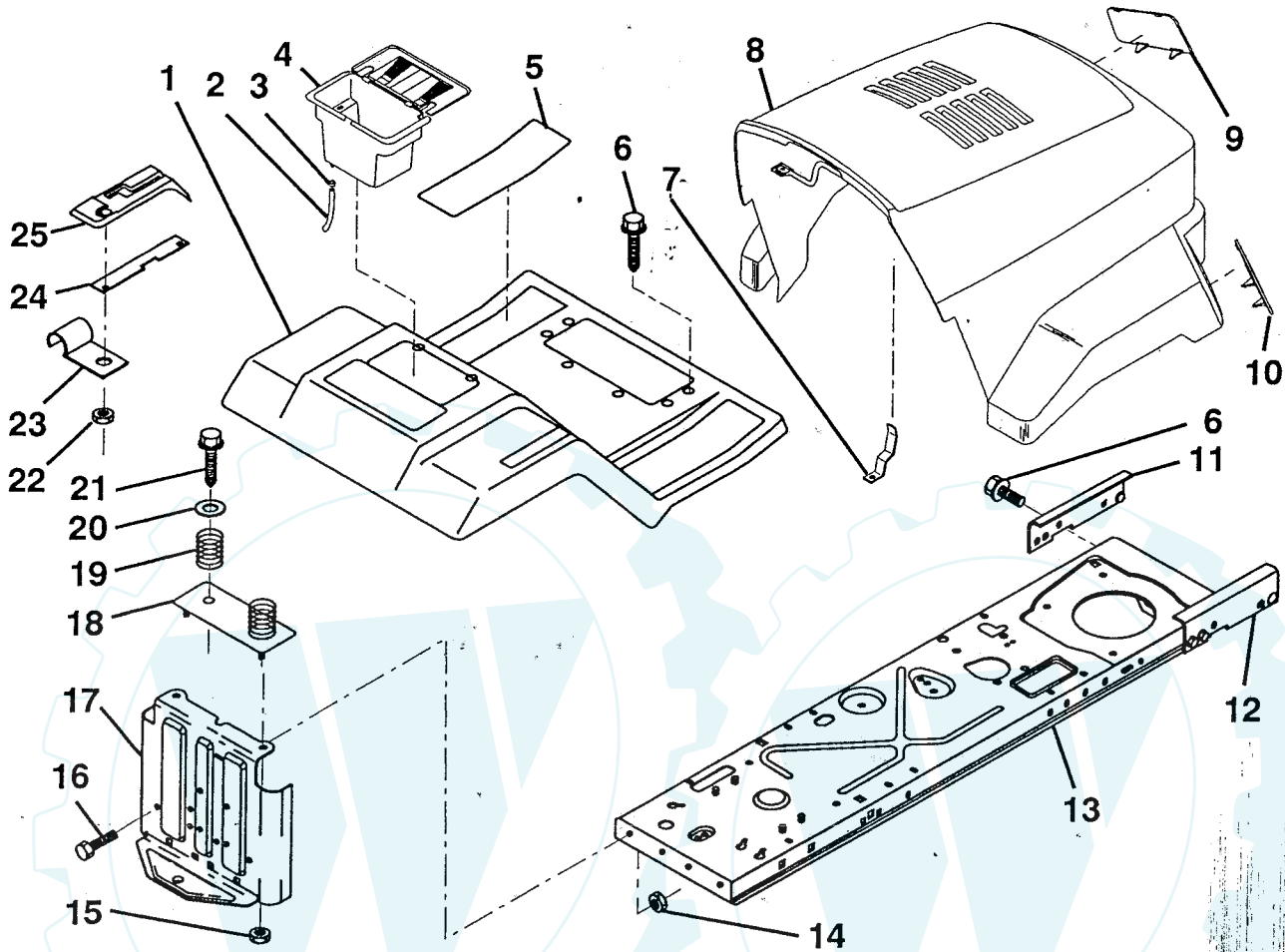


# ILLUSTRATED PARTS BREAKDOWN

## FENDER / CHASSIS



KEY NO.	PART NO.	DESCRIPTION
1	532125141	Fender/Footrest
2	532105687	Tube, Battery Drain
3	532109596	Clamp, Hose
4	532129965	Case, Battery
5	532124144	Pad, Footrest
6	817490512	Screw, Hex Wsh. Thrdrol. 5/16-18 x 3/4
7	532131318	Latch, Hood
8	532131053	Hood/Grill Asm. (Includes Key Nos. 21 and 22)
9	532130986	Lens, L.H.
10	532130985	Lens, R.H.
11	532128449	Bracket, Asm. Pivot Frame, L.H.
12	532128808	Bracket, Asm. Pivot Frame, R.H.
13	532123645	Assembly, Frame
14	873680500	Nut, Crownlock 5/16-18

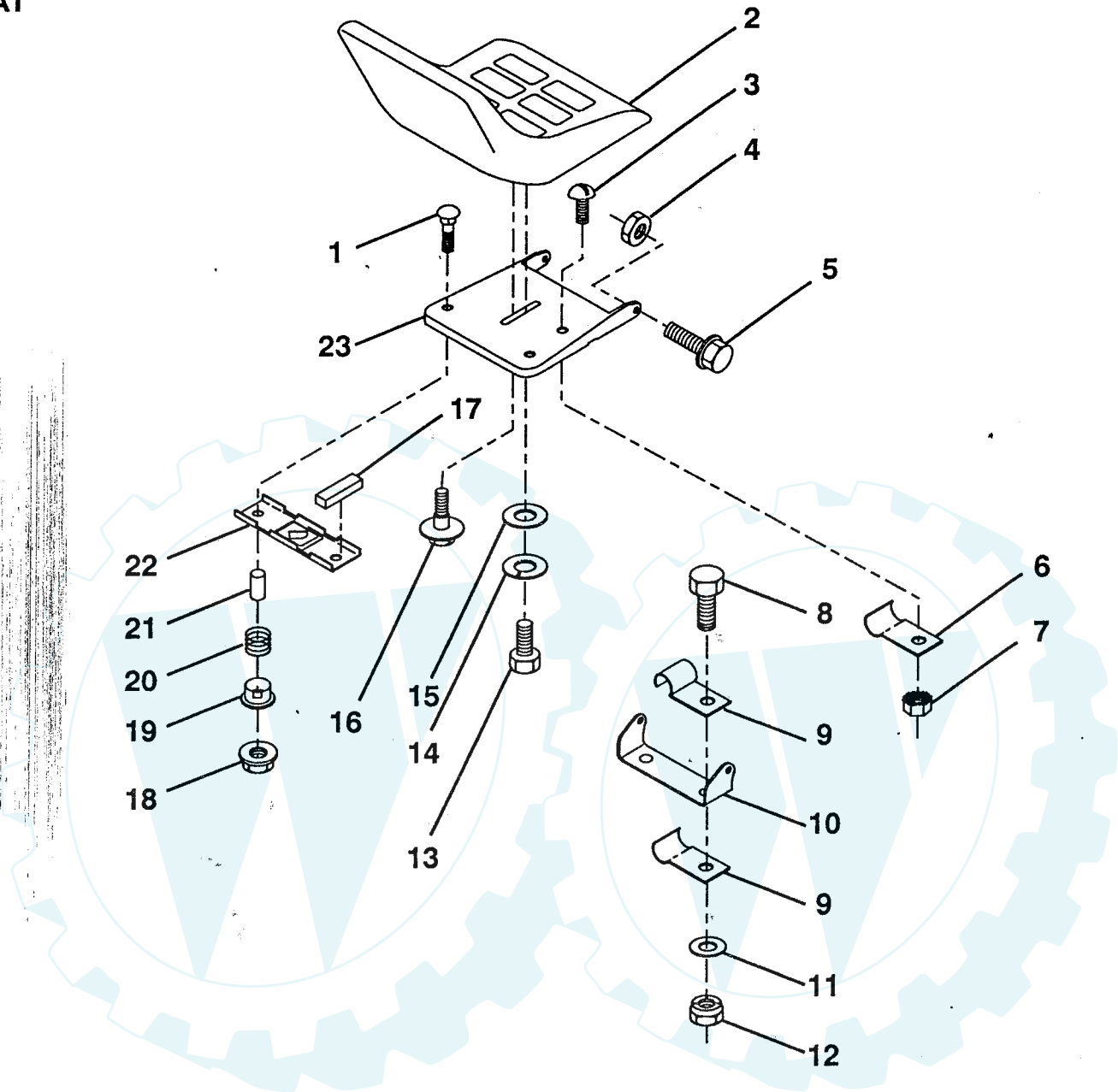
KEY NO.	PART NO.	DESCRIPTION
15	873680400	Nut, Crownlock 1/4-20 UNC
16	874760512	Bolt, Hex Hd. 5/16-18 UNC x 3/4
17	532127880	Drawbar
18	532125142	Plate, Asm. Battery
19	532124181	Spring, Compression, Seat
20	819132012	Washer 13/32 x 1-1/4 x 12 Ga.
21	817490612	Screw, Hex Wsh. Thrdrol. 3/8-16 x 3/4
22	532124346	Nut, Self-Threading, Washer Head 3/16
23	532126470	Clip, Insulated
24	532124602	Bar, Shift Lock
25	532126996	Console, Shift Control

NOTE: All component dimensions given in U.S. inches  
1 inch = 25.4 mm

HARDWARE SHOWN LARGER FOR EASIER IDENTIFICATION

# ILLUSTRATED PARTS BREAKDOWN

## SEAT



KEY NO.	PART NO.	DESCRIPTION
1	872170410	Bolt, Carriage 1/4-20 x 1-1/4
2	532130875	Seat
3	874641008	Screw, Slotted Pan Head #10-32 x 1/2
4	873680500	Nut, Crownlock 5/16-18
5	532105529	Bolt, Shoulder 5/16-18 UNC
6	532124967	Clip, Insulated
7	873951000	Nut, Keps #10-32 UNF
8	874760612	Bolt, Fin Hex 3/8-16 UNC x 3/4
9	532126471	Clip, Insulated
10	532126656	Bracket, Pivot Seat
11	819131210	Washer 12/32 x 3/4 x 10 Ga.
12	873680600	Nut, Crownlock 3/8-16 UNC

KEY NO.	PART NO.	DESCRIPTION
13	874780814	Bolt, Fin Hex 1/2-13 UNC x 7/8 Gr. 5
14	810040800	Washer, Lock Hvy Helical Spring
15	819171912	Washer, 17/32 x 1-3/16 x 12 Ga.
16	532127018	Bolt, Shoulder
17	532121251	Strip, Foam
18	532123976	Nut, Hex Large Flange Lock
19	532121248	Bushing, Snap
20	532121250	Spring, Compression
21	532121249	Spacer, Split 28 Id. x .88 Lg.
22	532121246	Bracket, Switch, Mounting
23	532124294	Pan, Seat

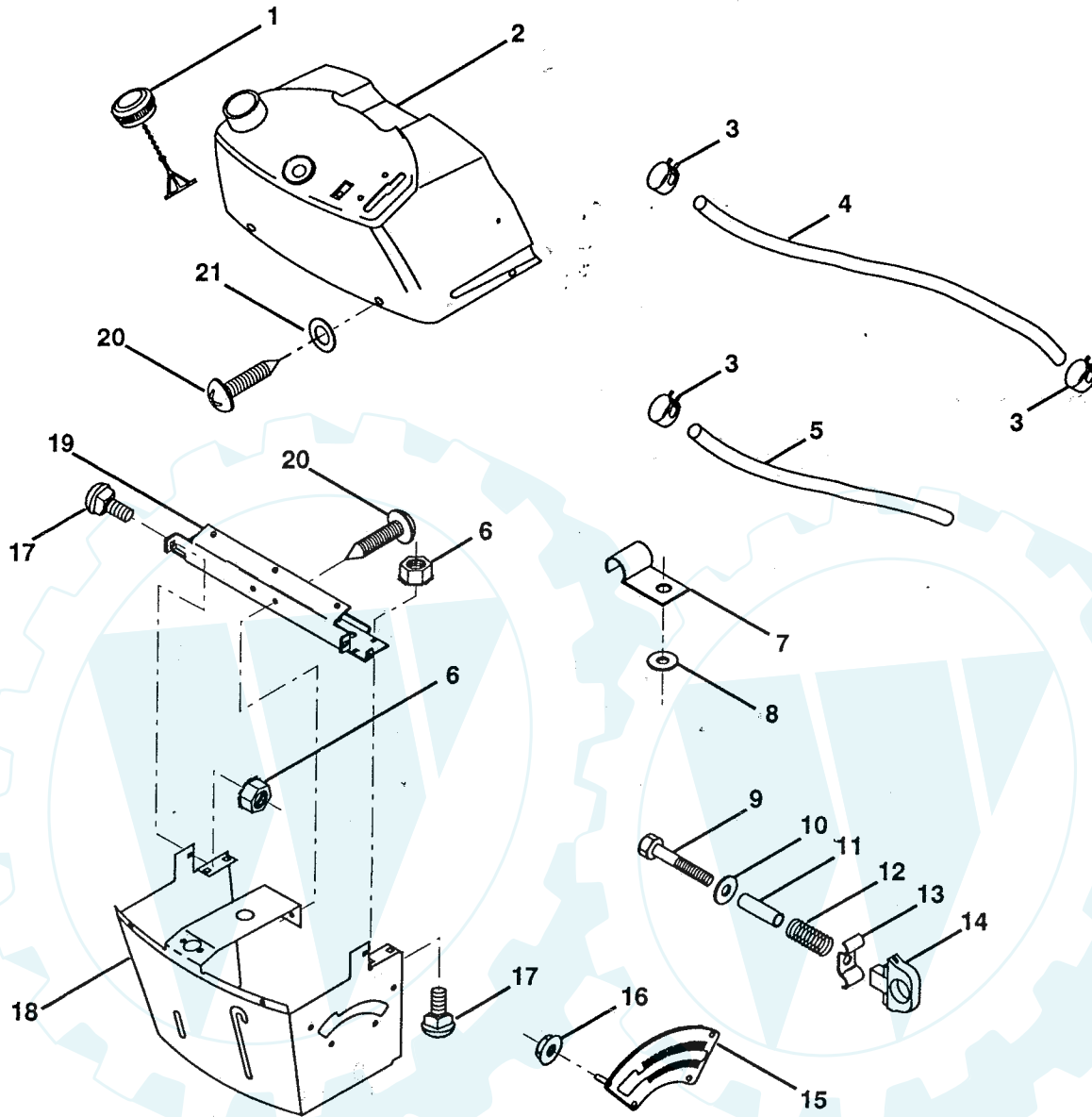
NOTE: All component dimensions given in U.S. inches  
1 inch = 25.4 mm

HARDWARE SHOWN LARGER FOR EASIER IDENTIFICATION

Der Ersatzteilspezialist im Internet.

# ILLUSTRATED PARTS BREAKDOWN

DASH



KEY NO.	PART NO.	DESCRIPTION
1	532127399	Cap, Fuel
2	532130915	Assembly, Dash & Fuel Tank
3	532123487	Clamp, Hose
4	532008544	Line, Fuel
5	532008548	Line, Fuel
6	873510400	Nut, Hex, Keps 1/4-20
7	532124996	Clip, Fuel Line
8	819091216	Washer 9/32 x 3/4 x 16 Ga.
9	874760428	Bolt, Hex, Fin 1/4-20 x 1-3/4
10	819091413	Washer 11/32 x 11/16 x 16 Ga.
11	532121249	Spacer, Split
12	532003720	Spring

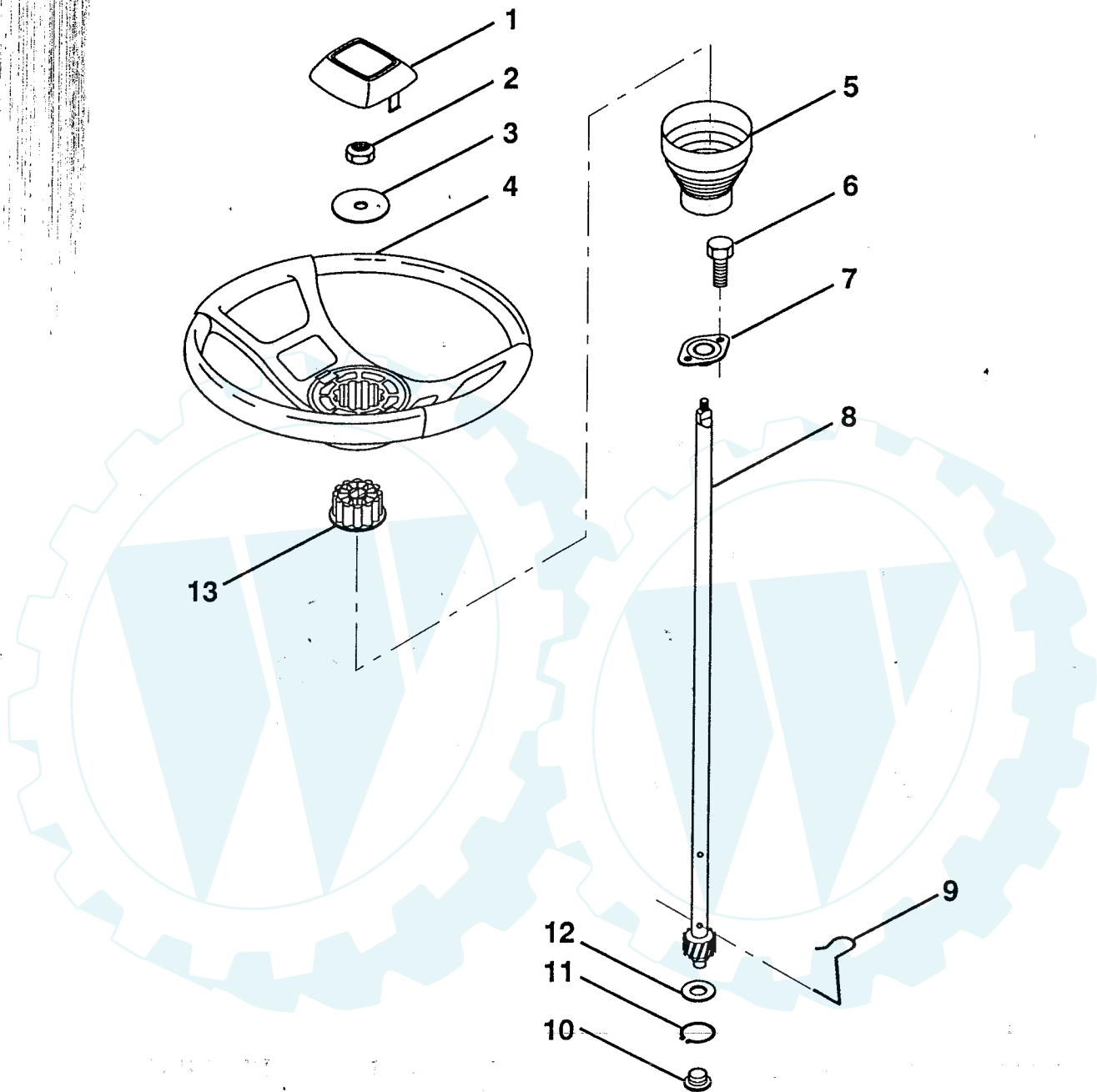
KEY NO.	PART NO.	DESCRIPTION
13	532126450	Clip, Height Adjustment
14	532126115	Knob, Height Stop
15	532122023	Adjustment, Quadrant Height
16	532124346	Nut, Self-Threading 3/16-18
17	872110404	Bolt, Carriage 1/4-20 x 1/2 Gr. 5
18	532130745	Support Assembly, Dash
19	532130722	Brace, Cross
20	818000408	Screw, Self-Tapping 1/4-20 x 1/2
21	819090816	Washer 9/32 x 1/2 x 16 Ga.

NOTE: All component dimensions given in U.S. inches  
1 inch = 25.4 mm

HARDWARE SHOWN LARGER FOR EASIER IDENTIFICATION

# ILLUSTRATED PARTS BREAKDOWN

## STEERING WHEEL



KEY NO.	PART NO.	DESCRIPTION
1	532124416	Insert, Wheel, Steering
2	532124701	Nut, Lock 3/8-24 UNF
3	819133808	Washer 12/32 x 2-3/8 x 8 Ga.
4	532124415	Wheel, Steering
5	532127396	Sleeve, Steering
6	817431008	Screw, Hex #10-16 x 1/2 TY-B
7	532102803	Bushing, Steering
8	532123651	Shaft, Steering

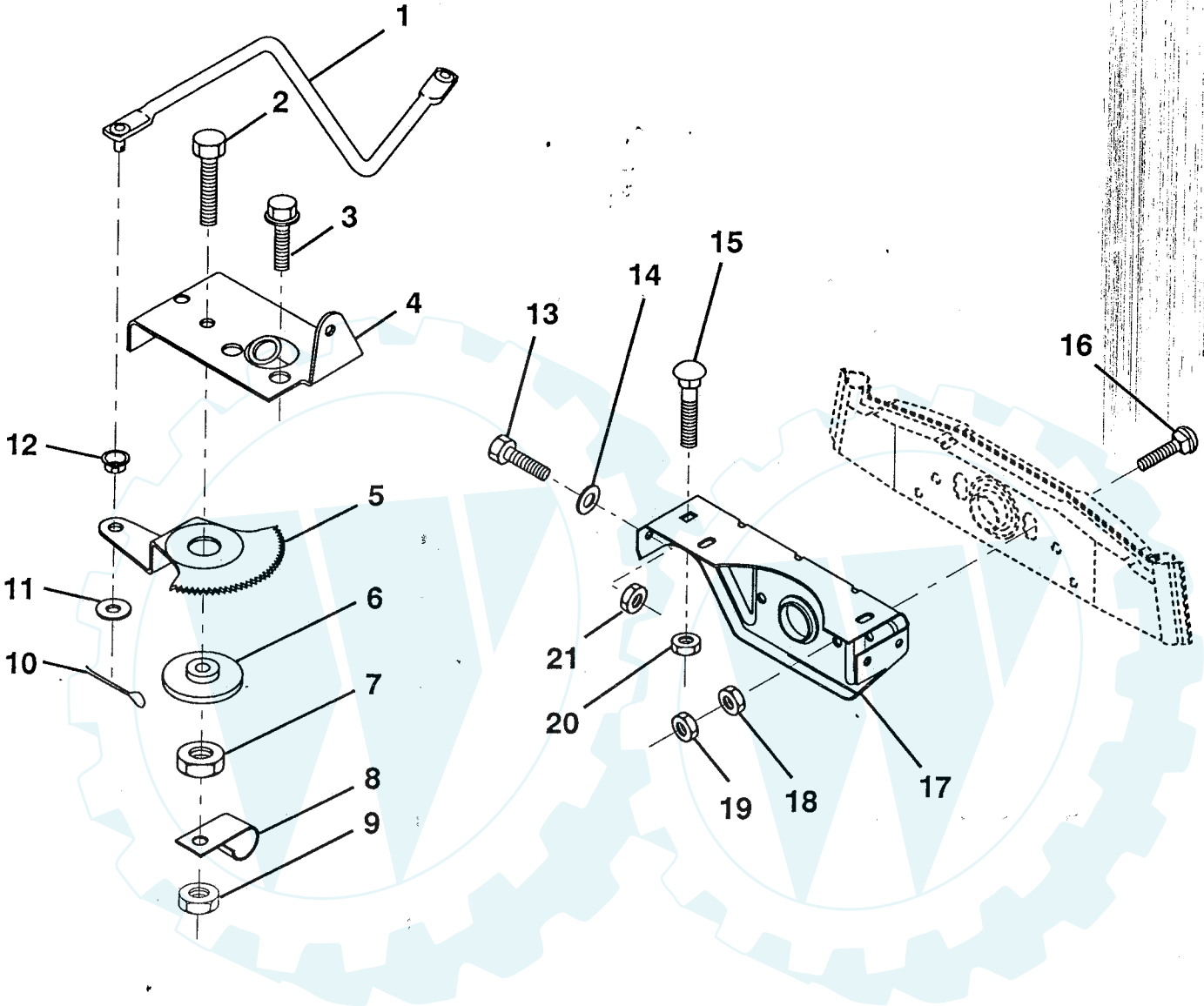
KEY NO.	PART NO.	DESCRIPTION
9	532124210	Clip, Steering
10	532123438	Bushing, Lower, Steering
11	812000045	Ring, Retaining
12	819211616	Washer 21/32 x 1 x 16 Ga.
13	532104820	Adaptor, Wheel, Steering

NOTE: All component dimensions given in U.S. inch  
1 inch = 25.4 mm

**HARDWARE SHOWN LARGER FOR EASIER IDENTIFICATION**

# ILLUSTRATED PARTS BREAKDOWN

## SECTOR GEAR / AXLE SUPPORT



KEY NO.	PART NO.	DESCRIPTION
1	532124093	Link, Drag
2	874780828	Bolt, Fin Hex 1/2-13 x 1-3/4
3	817490508	Screw, Hex Thrdrol 5/16-18 x 1/2
4	532121925	Plate, Steering Support
5	532121926	Gear, Sector
6	532121927	Bushing
7	873030800	Nut, Heavy Hex Top Lock 1/2-13 UNC
8	532126472	Clip, Insulated
9	873680800	Nut, Crownlock 3/8-16
10	876020412	Pin, Cotter 1/8 x 3/4
11	819131316	Washer, 13/32 x 13/16 x 16 Ga.

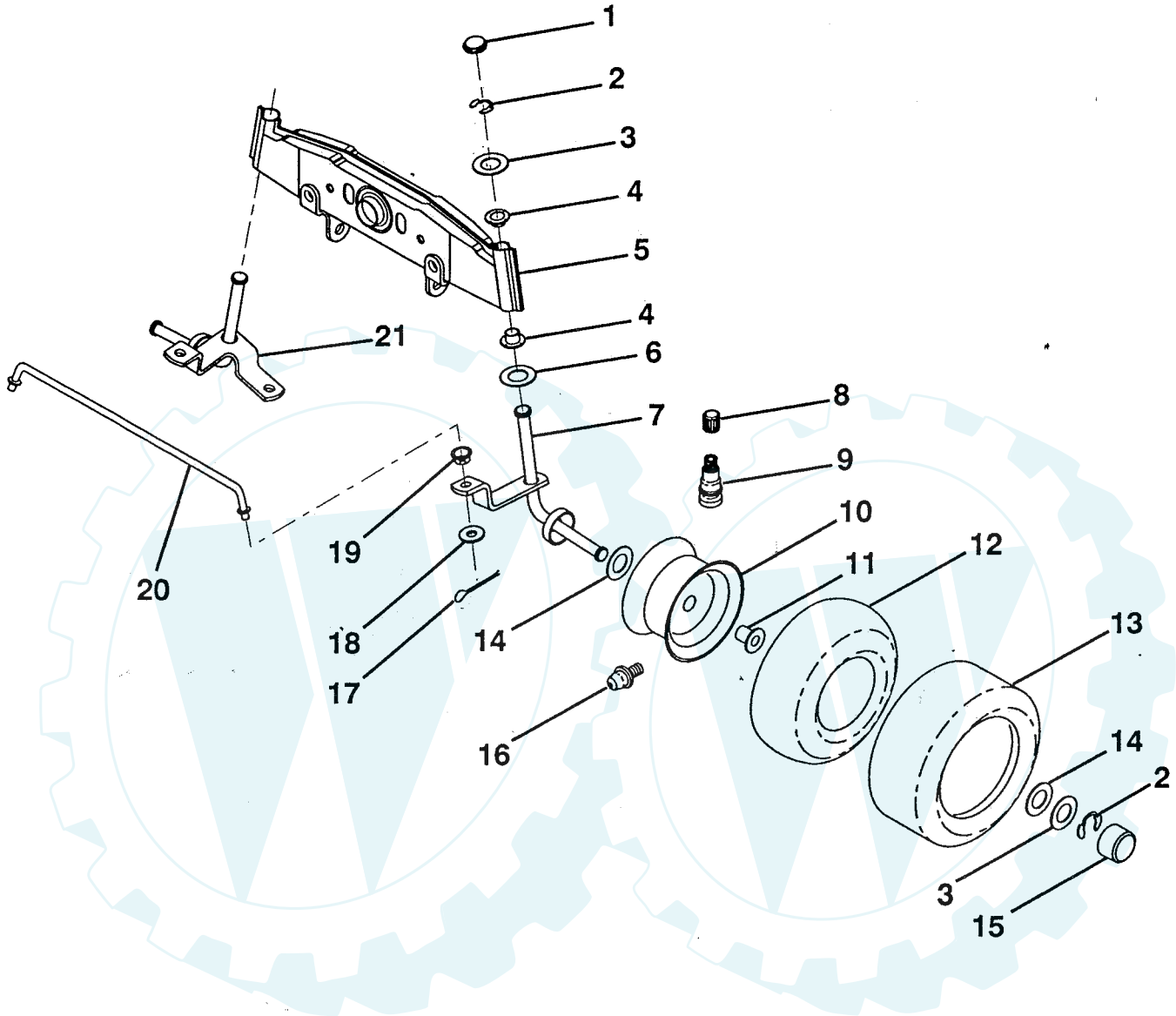
KEY NO.	PART NO.	DESCRIPTION
12	532126847	Bushing
13	874760516	Bolt, Hex Hd. 5/16-18 x 1
14	819111416	Washer 11/32 x 7/8 x 16 Ga.
15	872110606	Bolt, Carriage 3/8-16 UNC x 3/4
16	872140622	Bolt, Carriage
17	532121912	Support, Front Axle
18	873220600	Nut, Fin Hex 3/8-16 UNC
19	873930600	Nut, Centerlock 3/8-16 UNC
20	873680600	Nut, Crownlock 3/8-16 UNC
21	873680500	Nut, Crownlock 5/16-18

NOTE: All component dimensions given in U.S. inches  
1 inch = 25.4 mm

HARDWARE SHOWN LARGER FOR EASIER IDENTIFICATION

# ILLUSTRATED PARTS BREAKDOWN

## FRONT AXLE



KEY NO.	PART NO.	DESCRIPTION
1	532121232	Cap, Spindle
2	812000029	Ring, Clip
3	532121748	Washer 25/32 x 1-5/8 x 16 Ga.
4	532121922	Nyliner
5	532128543	Axle, Front
6	532124931	Bearing, Thrust
7	532121919	Spindle, R.H. Asm.
8	532059192	Cap, Valve
9	532065139	Stem, Valve
10	532124972	Rim
11	532124959	Bearing, Flange
12	532059904	Tube

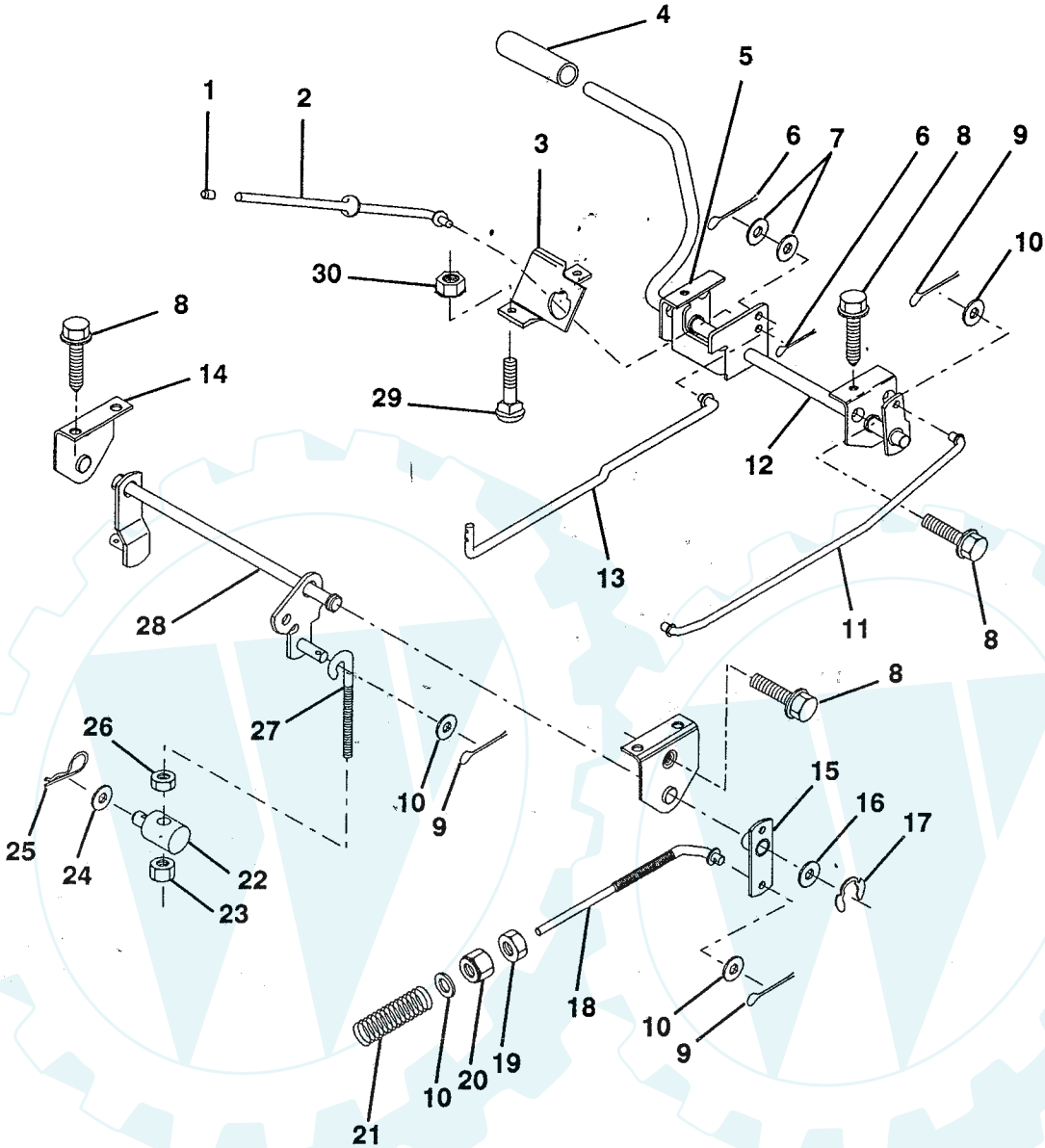
KEY NO.	PART NO.	DESCRIPTION
13	532124142	Tire, Front
14	532121749	Washer 25/32 x 1-1/4 x 16 Ga.
15	532104757	Cap, Axle
16	532124957	Fitting, Grease
17	876020412	Pin, Cotter 1/8 x 3/4
18	819131316	Washer 13/32 x 13/16 x 16 Ga.
19	532126847	Bushing
20	532121924	Rod, Tie
21	532121916	Spindle, L.H. Asm.

NOTE: All component dimensions given in U.S. inches  
1 inch = 25.4 mm

HARDWARE SHOWN LARGER FOR EASIER IDENTIFICATION

# ILLUSTRATED PARTS BREAKDOWN

## BRAKE / REAR MOWER LIFT ASSEMBLY



KEY NO.	PART NO.	DESCRIPTION
1	532071673	Cap, Plunger
2	532123436	Rod, Parking Brake
3	532123437	Bracket, Parking Brake
4	532008156	Cover, Pedal
5	532122504	Bracket, Clutch/Brake Pedal, L.H.
6	876020312	Pin, Cotter 3/32 x 3/4
7	819131016	Washer 13/32 x 5/8 x 16 Ga.
8	817490508	Screw, Hex, Thdrl 5/16-18 x 1/2.
9	876020412	Pin, Cotter 1/8 x 3/4
10	819131316	Washer 13/32 x 13/16 x 16 Ga.
11	532123543	Rod, Brake Front
12	532129567	Assembly, Clutch/Brake Pedal
13	532123394	Rod, Clutch
14	532121978	Bracket, Lift, Shaft
15	532123641	Assembly, Brake, Pivot, Arm
16	819251816	Washer 25/32 x 1-1/8 x 16 Ga.
17	812000034	Ring, Klip

KEY NO.	PART NO.	DESCRIPTION
18	532131460	Rod, Rear Brake
19	873350600	Nut, Hex, Jam 3/8-16 UNC
20	873800600	Locknut, Hex w/Washer Insert 3/8-16 UNC
21	532106888	Spring, Brake Rod
22	532127378	Trunnion, Lift
23	873680600	Nut, Crownlock 3/8-16 UNC
24	819132012	Washer 13/32 x 1-1/4 x 12 Ga.
25	532124961	Spring, Retainer
26	873930600	Nut, Centerlock 3/8-16 UNC
27	532127369	Link, Threaded
28	532127358	Assembly, Rear Mower Lift
29	872110506	Bolt, Carriage 5/16-18 UNC x 3/4
30	873510500	Nut, Keps 5/16-16 UNC

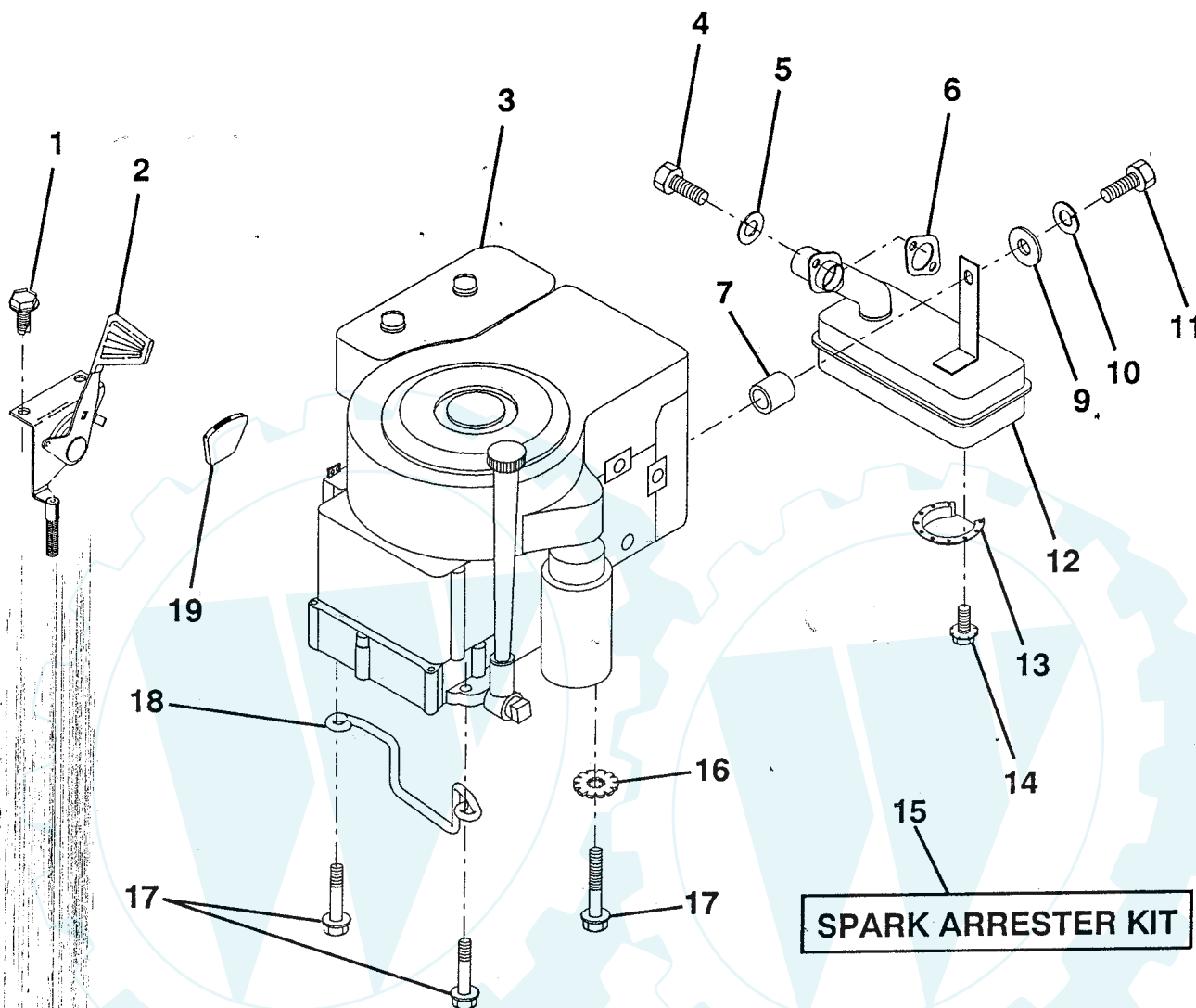
NOTE: All component dimensions given in U.S. inches  
1 inch = 25.4 mm

HARDWARE SHOWN LARGER FOR EASIER IDENTIFICATION

Der Ersatzteilspezialist im Internet.

# ILLUSTRATED PARTS BREAKDOWN

## ENGINE / THROTTLE



KEY NO.	PART NO.	DESCRIPTION
1	817720408	Screw, Hex Thd. Cut 1/4-20 x 1/2
2	532125985	Control, Throttle
3	532121797	Engine, Briggs and Stratton Model No. 255707
4	871070512	Screw, Hex, Cap 5/16-18 x 3/4
5	810040500	Washer, Lock Heavy Helical Spring 5/16
6	532125593	Gasket, Exhaust
7	532102933	Spacer, Split
9	819101216	Washer 5/16 x 3/4 x 16
10	810040400	Washer, Lock Heavy Helical Spring 1/4
11	874780420	Bolt, Hex Fin. 1/4-20 UNC x 1-1/2

KEY NO.	PART NO.	DESCRIPTION
12	532123676	Muffler
13	532101326	Deflector, Muffler
14	817030808	Screw, Spiderlock Hex Hd. 8 x 1/2 ABTPS
15	532121851	Arrester, Spark (Optional equipment)
16	811050600	Lock, Washer Ext. Tooth 3/8
17	817490624	Screw, Hex Wsh Hd Thdrol 3/8-16 x 1-1/2
18	532126636	Keeper, Ground Drive Belt
19	532125760	Stop, Choke

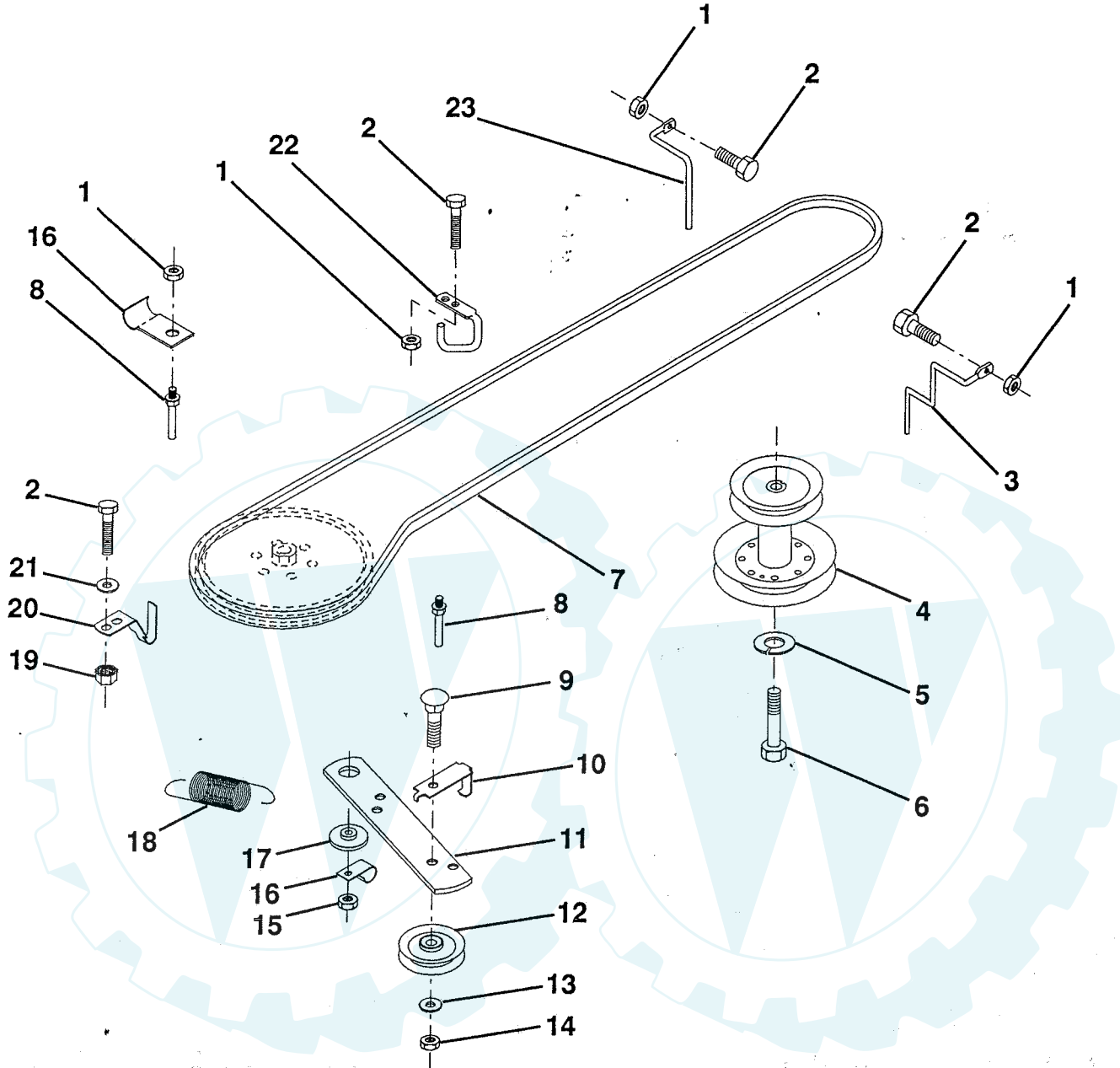
NOTE: All component dimensions given in U.S. inches  
1 inch = 25.4 mm

HARDWARE SHOWN LARGER FOR EASIER IDENTIFICATION



# ILLUSTRATED PARTS BREAKDOWN

## GROUND DRIVE



KEY NO.	PART NO.	DESCRIPTION
1	873680500	Nut, Crownlock 5/16-18
2	874760512	Bolt, Hex Hd 5/16-18 UNC x 3/4
3	532131205	Keeper, Mower Drive, R. H.
4	532123400	Pulley, Engine
5	810040700	Washer, Lock 7/16
6	871130720	Bolt, Fin. Hex 7/16-20
7	532126520	Traction, V-Belt Drive
8	532123405	Keeper, T/A Ground Drive Belt
9	872140612	Bolt, Carr. 3/8-16 UNC x 1-1/2
10	532123396	Keeper, Belt Ground Drive Idler
11	532123395	Arm, Ground Drive Clutch
12	532004859	Idler, Flat
13	819131316	Washer 13/32 x 13/16 x 16 Ga.

KEY NO.	PART NO.	DESCRIPTION
14	873930600	Nut, Centerlock 3/8-16 UNC
15	873680600	Nut, Crownlock 3/8-16 UNC
16	532126471	Clip, Insulated
17	532122052	Spacer, Retainer
18	532131459	Spring Extension
19	873510500	Nut, Keps 5/16-18 UNC
20	532123891	Keeper, T/A Ground Drive Belt
21	819111016	Washer 11/32 x 5/8 x 16 Ga.
22	532123404	Keeper, Frame Ground Drive Belt
23	532131204	Keeper, Mower Drive, L. H.

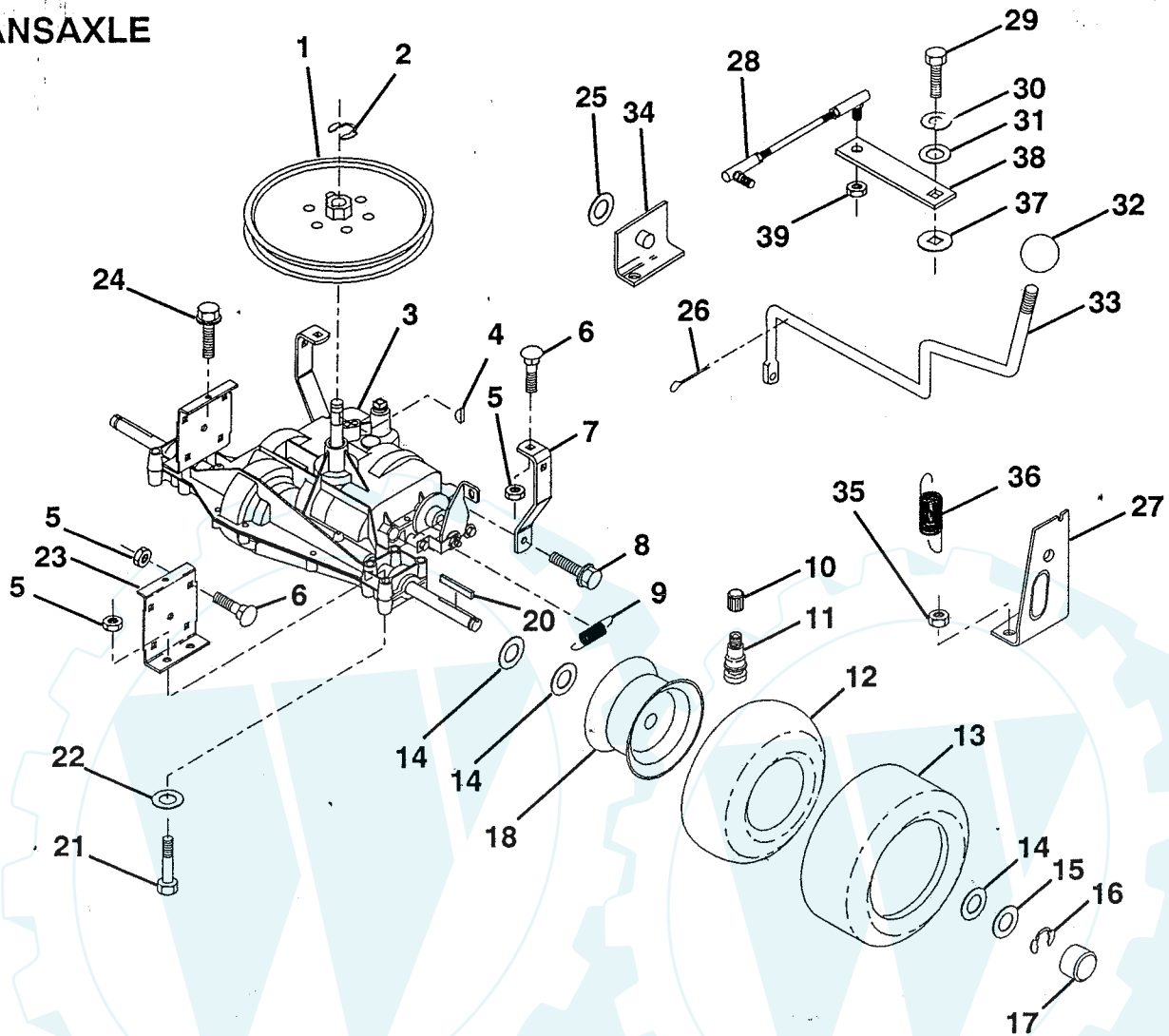
NOTE: All component dimensions given in U.S. inches  
1 inch = 25.4 mm

HARDWARE SHOWN LARGER FOR EASIER IDENTIFICATION

Der Ersatzteilspezialist im Internet.

# ILLUSTRATED PARTS BREAKDOWN

## TRANSAXLE



KEY NO.	PART NO.	DESCRIPTION
1	532123385	Pulley
2	812000028	Ring, Retainer
3	532127052	Transaxle
4	532125096	Key, Woodruff #9
5	873680500	Nut, Crownlock 5/16-18
6	872140506	Bolt, Carriage 5/16-18 UNC x 3/4
7	532123378	Strap, Torque
8	817490508	Screw, Hex Thdrol 5/16-18 x 1/2
9	532110422	Spring, Brake
10	532059192	Cap, Valve
11	532065139	Stem, Valve
12	532008134	Tube
13	532124143	Tire, Rear
14	532121749	Washer 25/32 x 1-1/4 x 16 Ga.
15	532121748	Washer 35/32 x 1-5/8
16	812000001	E-Ring
17	532104757	Hub, Cap
18	532124973	Rim
20	532123583	Key, Square
21	874760540	Bolt, Fin Hex 5/16-18 x 2-1/2
22	819111116	Washer 11/32 x 11/16 x 16 Ga.

KEY NO.	PART NO.	DESCRIPTION
23	532123377	Bracket, Transaxle
24	817490512	Screw 5/16-18 x 3/4
25	819171616	Washer 17/32 x 1 x 16 Ga.
26	876020416	Pin, Cotter 1/8 x 1
27	532128084	Support, Handle Shift R. H.
28	532126293	Link, Shift
29	871040412	Bolt, Fin Hex 1/4-28 UNF x 3/4 Gr. 8
30	810040400	Washer, Lock 1/4
31	819091210	Washer 9/32 x 3/4 x 10 Ga.
32	532106933	Knob, Shift Control
33	532128215	Shift Rod
34	532124600	Support, Handle Shift L. H.
35	873510500	Nut, Keps 5/16-18
36	532128085	Extension, Spring
37	532105701	Washer, Shift Plate
38	532126292	Arm, Shift
39	873810500	Nut, Hex Nylon

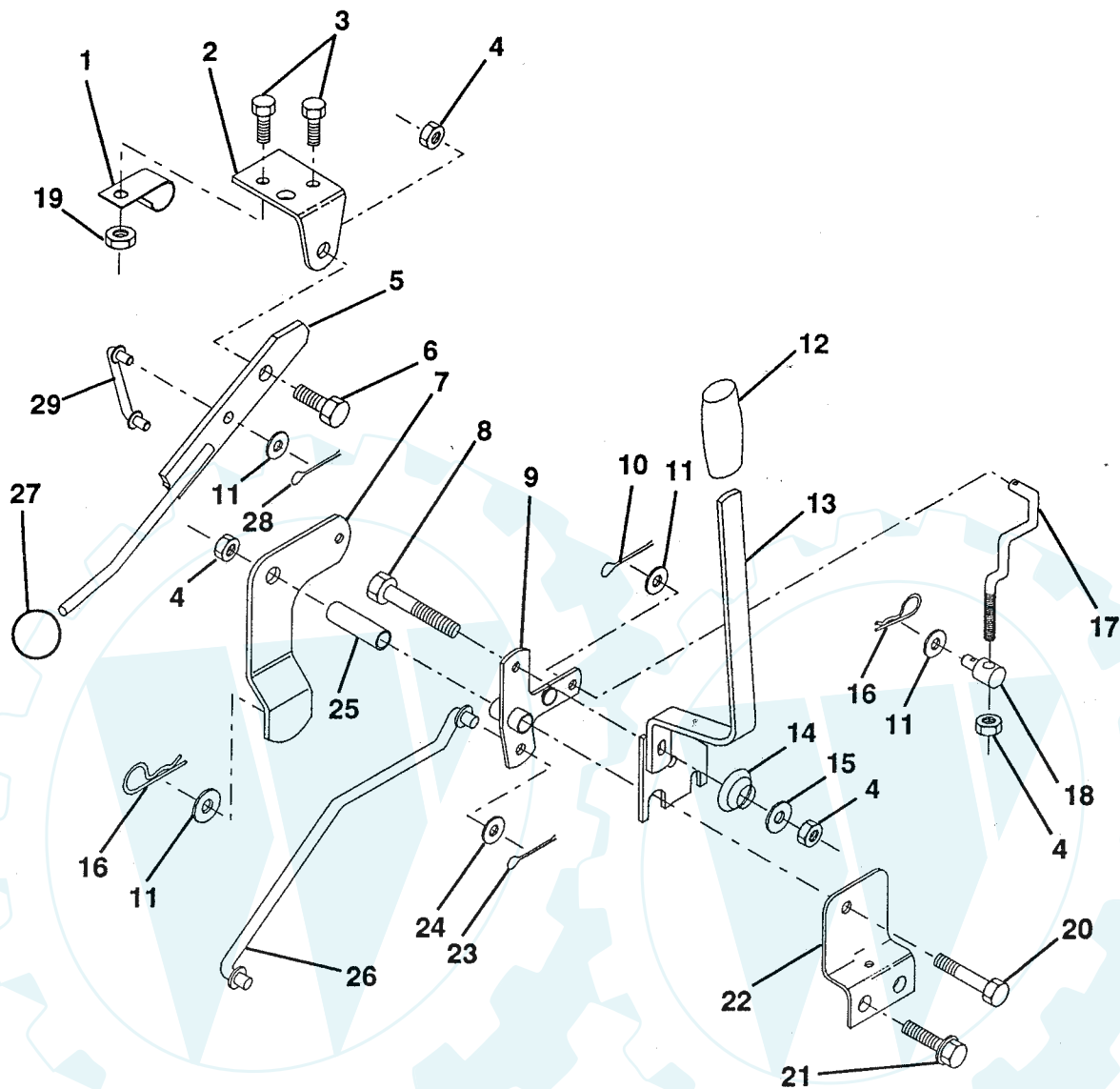
NOTE: All component dimensions given in U.S. inches  
1 inch = 25.4 mm

HARDWARE SHOWN LARGER FOR EASIER IDENTIFICATION

Der Ersatzteilspezialist im Internet.

# ILLUSTRATED PARTS BREAKDOWN

## MOWER LIFT LEVER



KEY NO.	PART NO.	DESCRIPTION
1	532126470	Clip, Insulated
2	532122018	Bracket, Mower Clutch
3	874780408	Bolt, Fin. Hex 1/4-20 UNC x 1/2 Gr. 5
4	873680600	Nut, Crownlock 3/8-16 UNC
5	532123417	Assembly, Clutch Lever
6	532106451	Bolt, Shoulder
7	532123491	Assembly, Mower Clutch Arm
8	874760636	Bolt, Hex 3/8-16 UNC x 2-1/4
9	532121930	Assembly, Bracket Lift
10	876020412	Pin, Cotter 1/8 x 3/4
11	819131316	Washer 13/32 x 13/16 x 16 Ga.
12	532851808	Grip, Handle
13	532127028	Assembly, Lift Handle
14	532123496	Spring, Compression
15	819131212	Washer 13/32 x 3/4 x 12 Ga.
16	532124961	Retainer, Spring

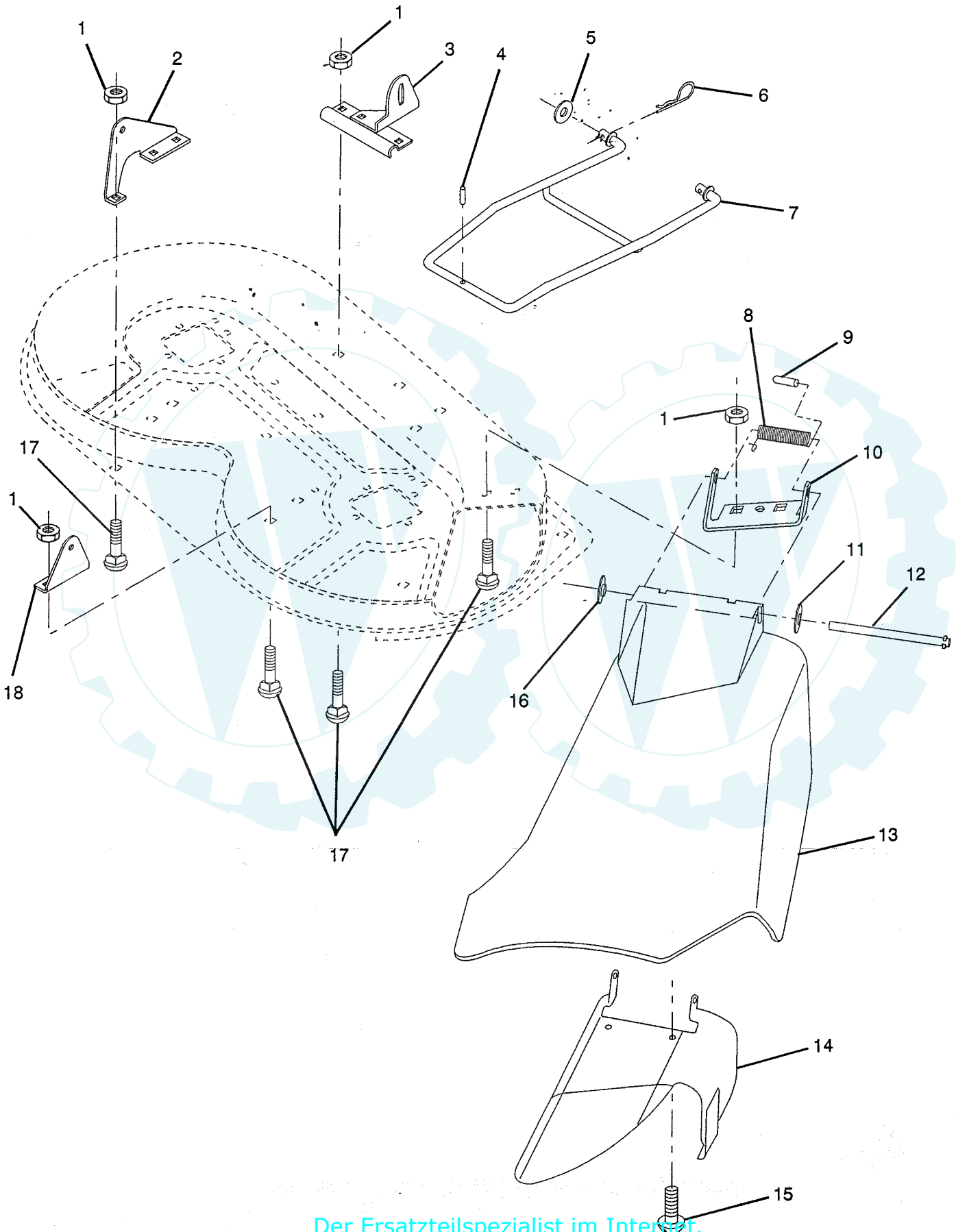
KEY NO.	PART NO.	DESCRIPTION
17	532127359	Link, Front Lift
18	532007078	Trunnion, Threaded 3/8-16
19	873680400	Nut, Crownlock 1/4-20
20	874760644	Bolt, Fin. Hex 3/8-16 UNC x 2-3/4
21	817490508	Screw, Hex Thdrol. 5/16-18 x 1/2
22	532121929	Bracket, Mower Height
23	876020416	Pin, Cotter 1/8 x 1
24	819171616	Washer 17/32 x 1 x 16 Ga.
25	532121933	Tube, Spacer
26	532121934	Rod, Mower Lift
27	532106932	Knob
28	876020312	Pin, Cotter 3/32 x 3/4
29	532123671	Link, Mower Clutch

NOTE: All component dimensions given in U.S. inches  
1 inch = 25.4 mm

HARDWARE SHOWN LARGER FOR EASIER IDENTIFICATION

# ILLUSTRATED PARTS BREAKDOWN

## MOWER DECK



# ILLUSTRATED PARTS BREAKDOWN

## MOWER DECK

[www.ersatzteil-service.de](http://www.ersatzteil-service.de)

### KEY PART NO. NO.

### DESCRIPTION

1	873680500	Nut, Crownlock 5/16-18
2	532127357	Bracket, Rear Lift, LH
3	532127380	Bracket, Stabilizer Link
4	532128511	Pin, Drive
5	819171616	Washer 17/32 x 1 x 16 Gauge
6	532124660	Clip, Hairpin
7	532128508	Stabilizer, Mower Link
8	532123713	Spring, Torsion
9	532105304	Cap, Sleeve
10	532126361	Bracket, Deflector
11	819111016	Washer 11/32 x 5/8 x 16 Gauge

### KEY PART NO. NO.

### DESCRIPTION

12	532121980	Rod, Hinge
13	532126370	Guard, Discharge
14	532125629	Assembly, Deflector Support
15	817051007	Screw, Pan Head, PLT-30
16	532110452	Nut, Push
17	872140505	Bolt, Carriage 5/16-18 UNC x 5/8
18	532127356	Bracket, Rear Lift, RH

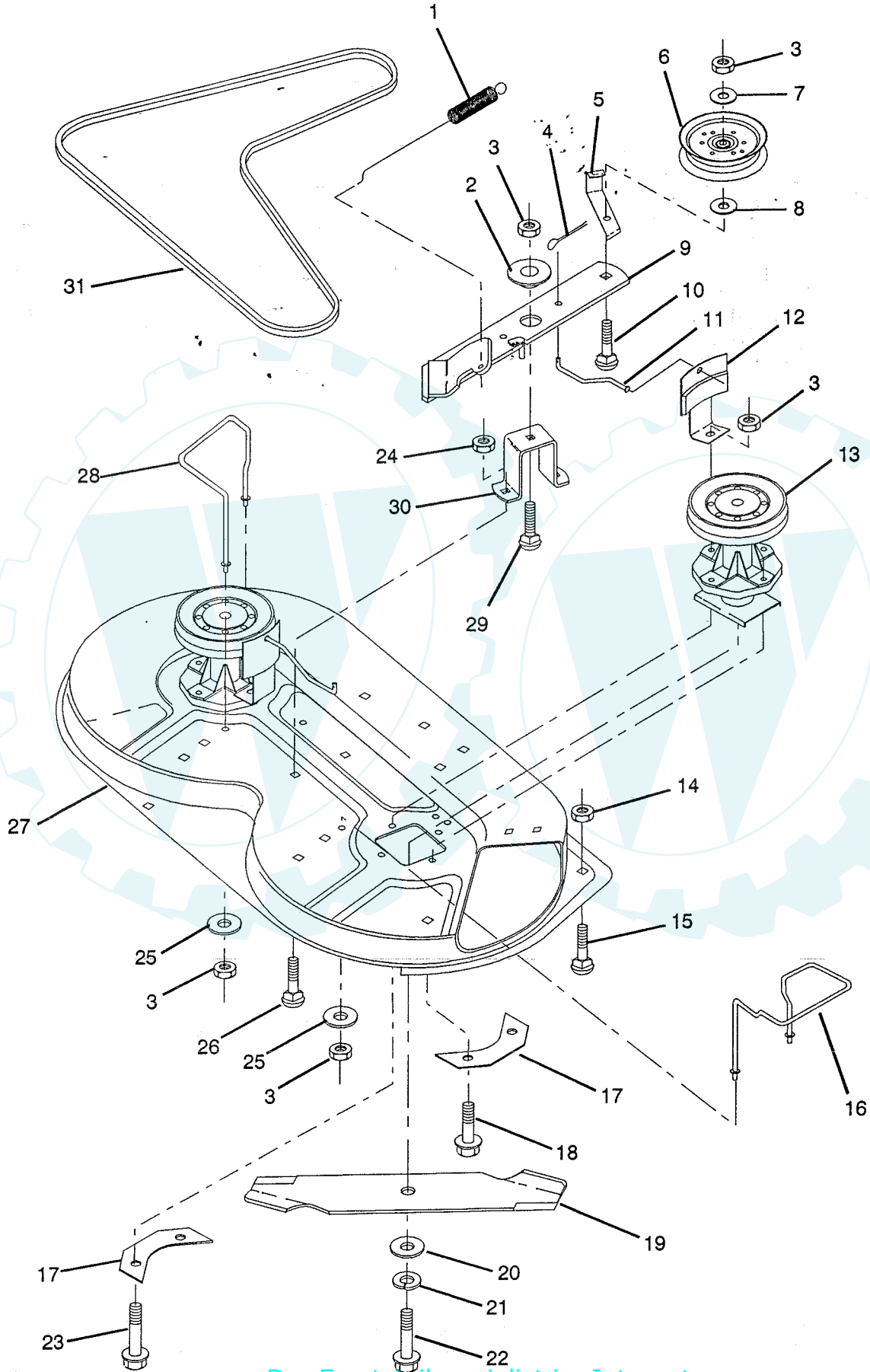
NOTE: All component dimensions given in U.S. inches  
1 inch = 25.4 mm

HARDWARE SHOWN LARGER FOR EASIER IDENTIFICATION



# ILLUSTRATED PARTS BREAKDOWN

## MOWER DECK



# ILLUSTRATED PARTS BREAKDOWN

## MOWER DECK

### KEY PART NO. NO.

### DESCRIPTION

1	532127743	Spring, Mower Clutch
2	532122052	Spacer, Retainer
3	873680600	Nut, Crownlock 3/8-16 UNC
4	876020312	Pin, Cotter 3/32 x 3/4
5	532126756	Guide, Belt
6	532121316	Idler, Flat
7	819131412	Washer 13/32 x 7/8 x 12 Gauge
8	819132203	Washer 13/32 x 1-3/8 x 3 Gauge
9	532127744	Assembly, Mower Idler Arm
10	872110618	Bolt, Carriage 3/8-16 x 2-1/4
11	532122049	Rod, Brake
12	532106578	Assembly, Brake
13	532124208	Assembly, Mandrel
14	873680400	Nut, Crownlock 1/4-20
15	872140404	Bolt, Carriage 1/4-20 x 1/2
16	532127382	Guide, Rear Belt, RH
17	532100668	Support Plate, Jackshaft
18	817490614	Screw, Hex, Thd. Roll. 3/8-16 x 7/8
19	532122260	Blade, Low Lift

### KEY PART NO. NO.

### DESCRIPTION

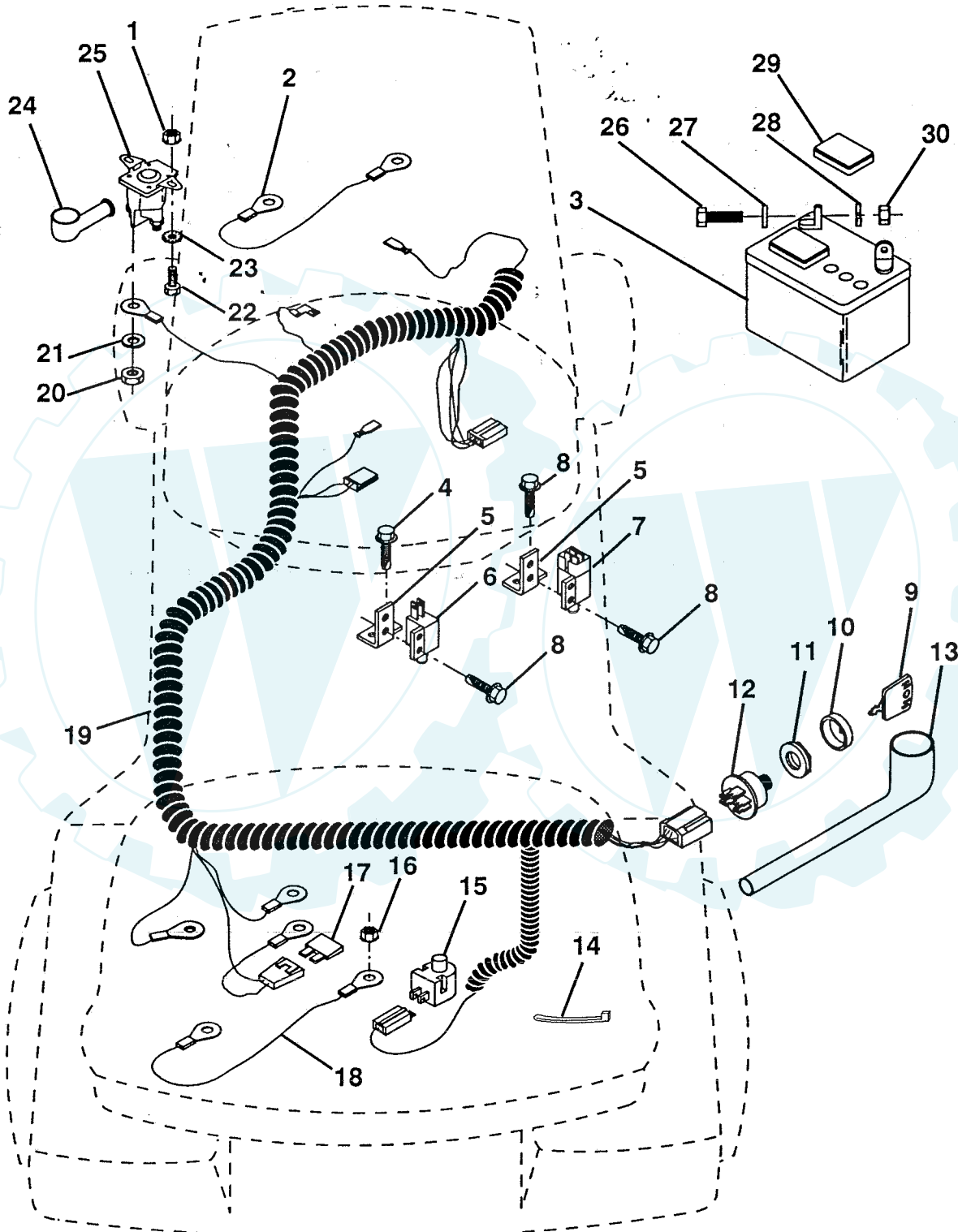
20	819132012	Washer 13/32 x 1-1/4 x 12 Gauge
21	810030600	Washer, Lock, Heavy 3/8
22	874610624	Bolt, Hex, Fin. 3/8-24 x UNF 1-1/2 Grade 5
23	817490620	Screw, Hex, Thd. Roll. 3/8-16 x 1-1/4
24	873680500	Nut, Crownlock 5/16-18
25	819131316	Washer 13/32 x 13/16 x 16 Gauge
26	872140505	Bolt, Carriage 5/16-18 UNC x 5/8
27	532127815	Mower Assembly, 36"
28	532127381	Guide, Belt, LH
29	872110608	Bolt, Carriage 3/8-16 UNC x 1
30	532122051	Support, Idler Arm
31	532124293	V-Belt

NOTE: All component dimensions given in U.S. inches  
1 inch = 25.4 mm

HARDWARE SHOWN LARGER FOR EASIER IDENTIFICATION

# ILLUSTRATED PARTS BREAKDOWN

## ELECTRICAL





# ILLUSTRATED PARTS BREAKDOWN

[www.ersatzteil-service.de](http://www.ersatzteil-service.de)

## ELECTRICAL

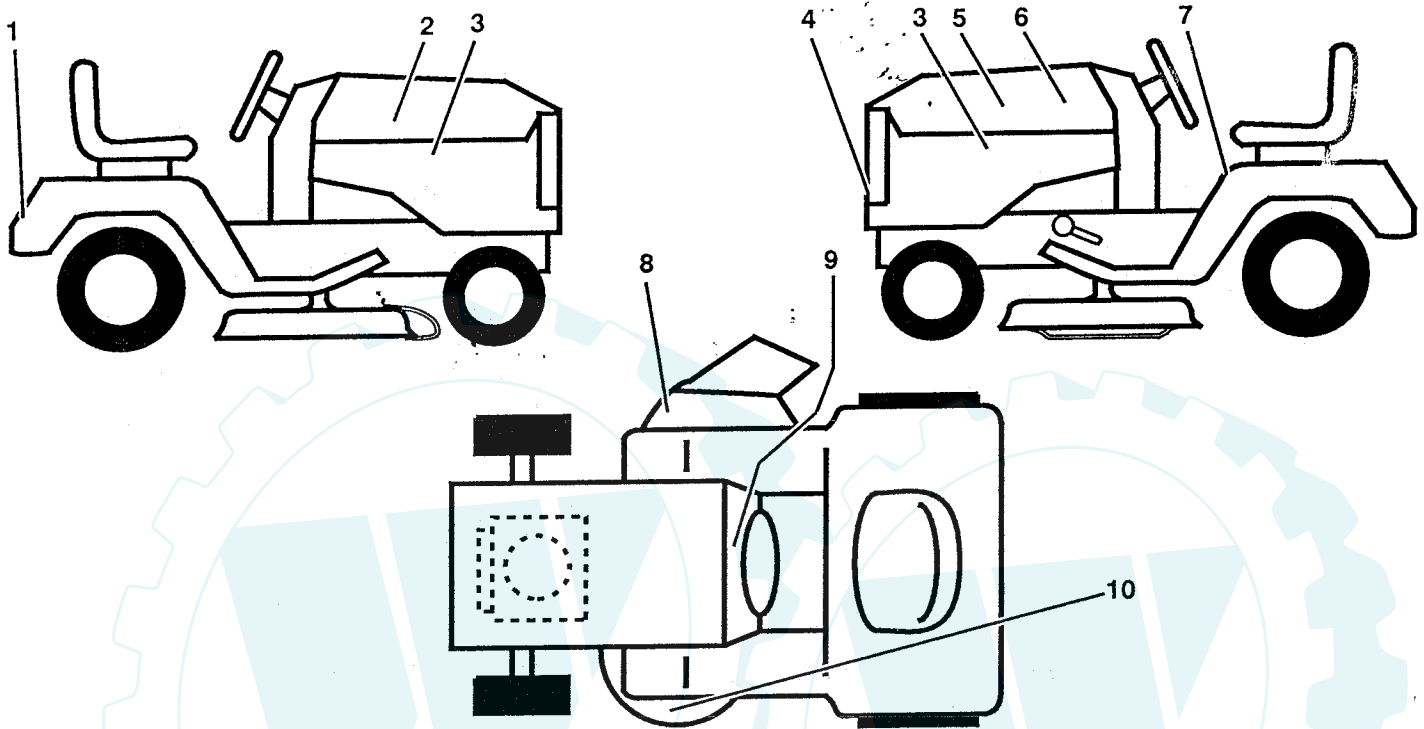
KEY NO.	PART NO.	DESCRIPTION	KEY NO.	PART NO.	DESCRIPTION
1	873510400	Nut, Hex Keps 1/4-20	17	532108824	Fuse
2	532108423	Assembly, Cable	18	532128353	Assembly, Cable
3	532121265	Battery	19	532131561	Harness, Ignition
4	817211008	Screw, Hex Wsh. Tap #10-16 x 1/2	20	873350400	Nut, Hex Jam 1/4-20
5	532108236	Bracket, Switch	21	810090400	Washer, Lock 1/4
6	532104445	Switch, Interlock	22	874780408	Bolt, Fin. Hex 1/4-20 UNC x 1/2 Gr. 5
7	532109553	Switch, Interlock	23	811050400	Washer, Lock Ext. Tooth 1/4
8	817021008	Screw, Tap Hex Hd.	24	532124783	Cover, Terminal
9	532122147	Key, Molded	25	532109081	Solenoid
10	532123620	Cover, Key Ignition	26	874760412	Bolt, Hex Hd. 1/4-20 UNC x 3/4
11	532124211	Nut, Ignition	27	819091016	Washer 9/32 x 5/8 x 16
12	532125104	Switch, Ignition	28	810040400	Washer, Lock 1/4
13	532124083	Cover, Ignition Switch	29	532121264	Cap, Battery
14	532124756	Tie, Cable	30	873220400	Nut, Fin. Hex 1/4-20 UNC
15	532121305	Switch, Plunger			
16	873510500	Nut, Keps 5/16-18			

NOTE: All component dimensions given in U.S. inches  
1 inch = 25.4 mm

HARDWARE SHOWN LARGER FOR EASIER IDENTIFICATION

# ILLUSTRATED PARTS BREAKDOWN

## DECAL



KEY NO.	PART NO.	DESCRIPTION
1	532131582	Decal, Fender
2	532131579	Decal, Hood Stripe, R.H.
3	532131581	Decal, Side Panel
4	532125989	Decal, Grill
5	532131580	Decal, Hood Stripe L.H.
6	532131660	Decal, Hood LT100
7	532126712	Decal, Caution

KEY NO.	PART NO.	DESCRIPTION
8	532121343	Decal, Danger
9	532126712	Decal, Operating Instructions
10	532125087	Decal, Rotating Blades
--	532101539	Slope, Sheet
--	532132084	Manual, Operator's
--	532132085	Manual, Parts