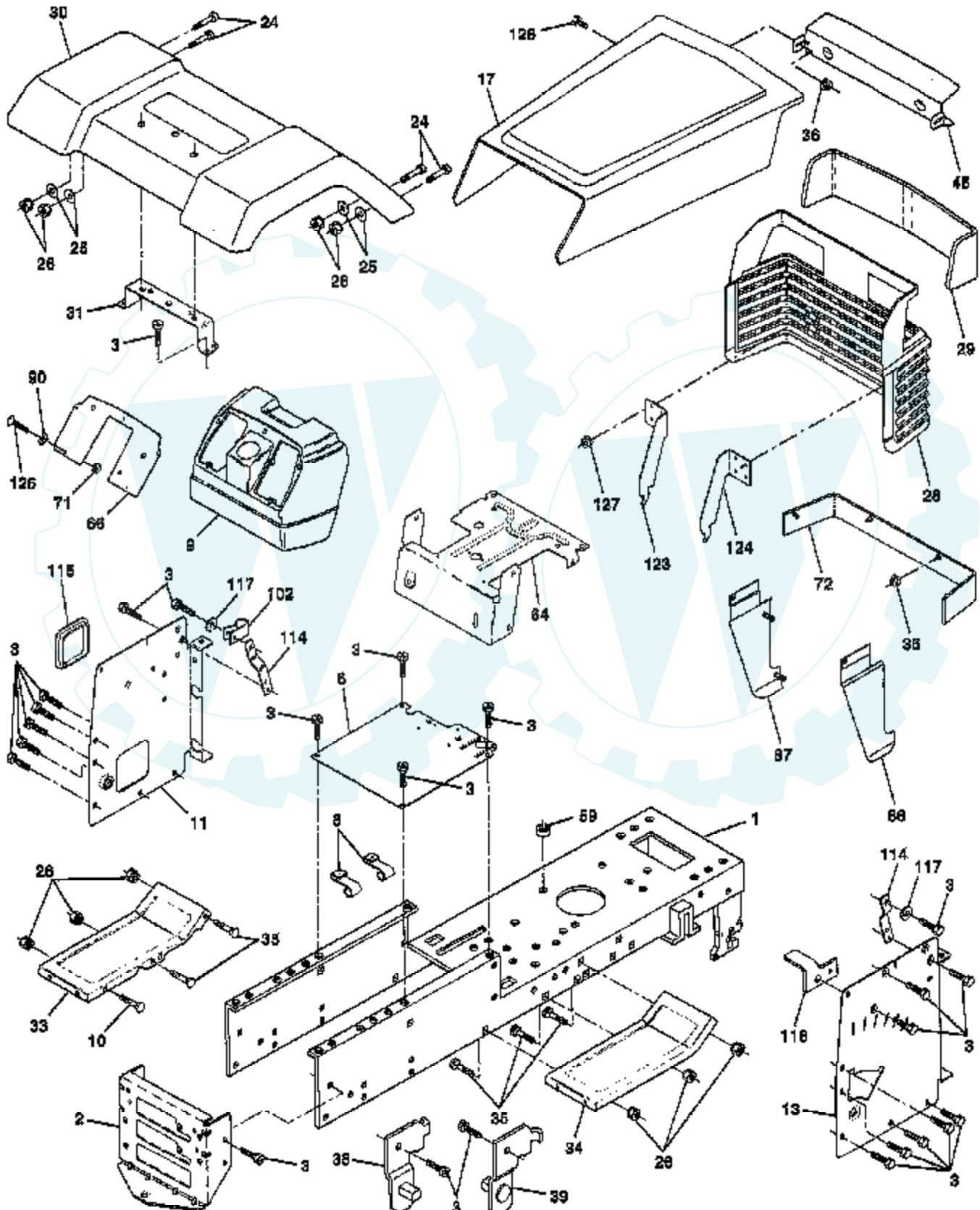
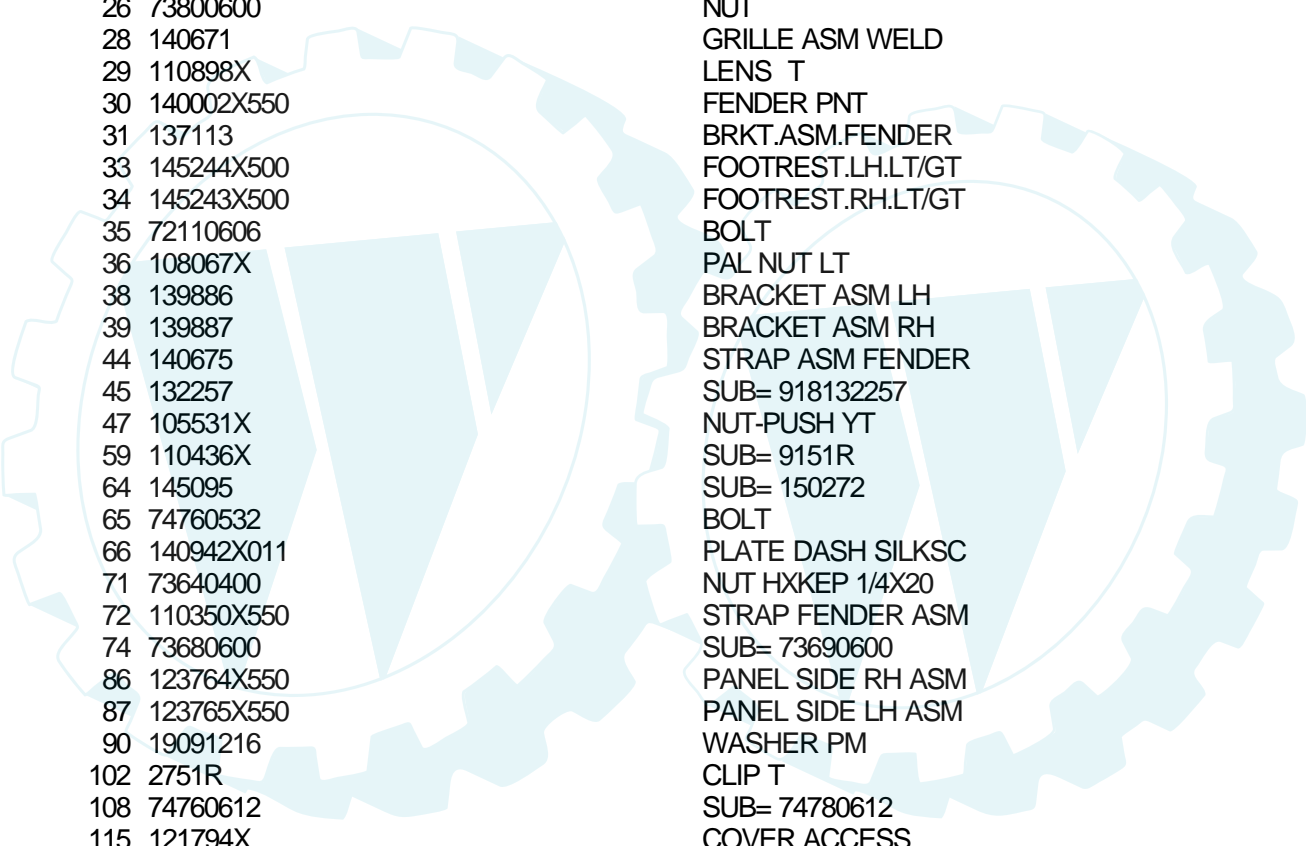


TRACTOR -- MODEL NUMBER GT4418C

CHASSIS

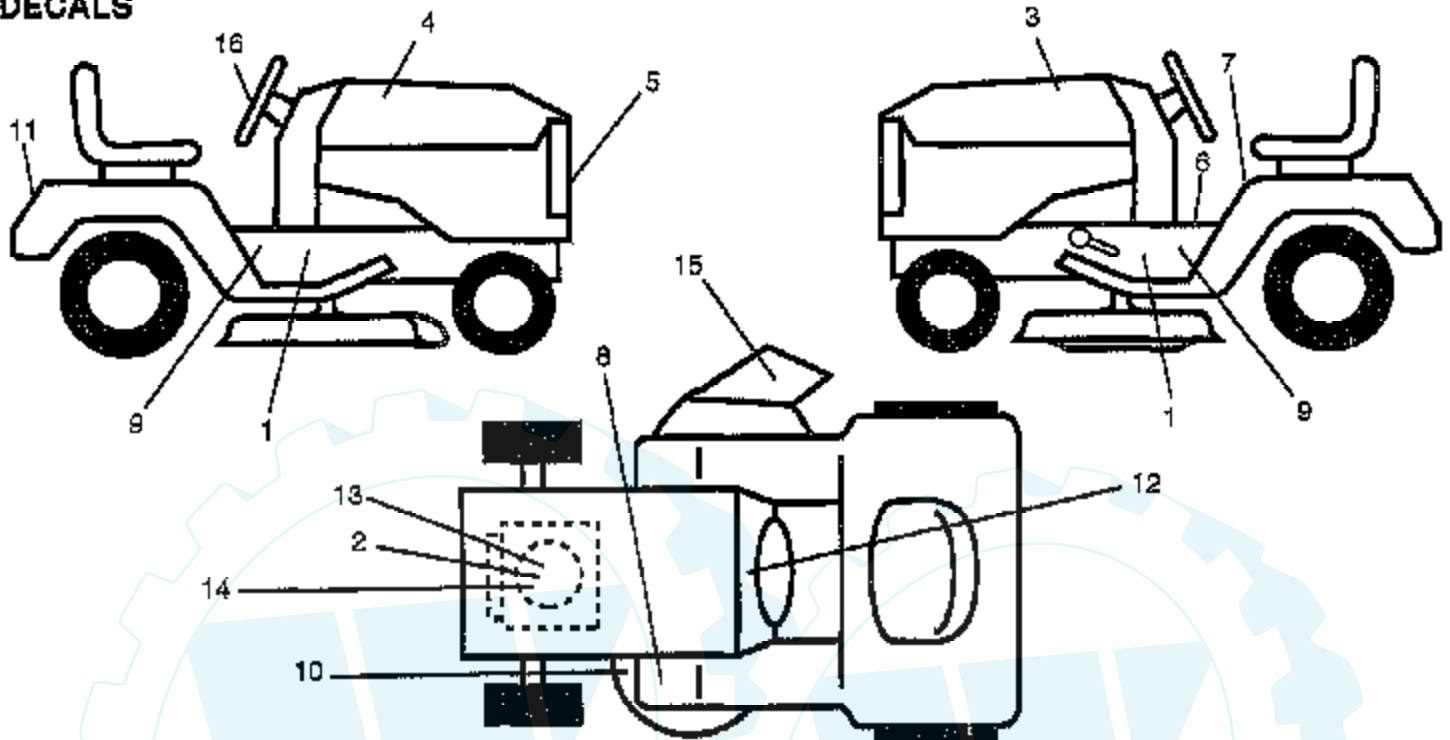




Ref #	Part Number	Qty	Description
1	145501		CHASSIS.WLD.11GA
2	123785X		DRAW BAR
3	17490612		SCREW
6	145206		SUB= 145206X431
8	126471X		"CLIP,INSULATOR"
9	145203		DASH.PLASTIC.BLK
10	72140608		SUB= 72110608
11	145222		PANEL.DASH.LH.PNT
13	145221		PANEL.DASH.RH.PNT
14	17490608		SCREW LT
17	123801X550		HOOD/GRILLE ASM
24	74780616		BOLT
25	19131312		WASHER
26	73800600		NUT
28	140671		GRILLE ASM WELD
29	110898X		LENS T
30	140002X550		FENDER PNT
31	137113		BRKT.ASM.FENDER
33	145244X500		FOOTREST.LH.LT/GT
34	145243X500		FOOTREST.RH.LT/GT
35	72110606		BOLT
36	108067X		PAL NUT LT
38	139886		BRACKET ASM LH
39	139887		BRACKET ASM RH
44	140675		STRAP ASM FENDER
45	132257		SUB= 918132257
47	105531X		NUT-PUSH YT
59	110436X		SUB= 9151R
64	145095		SUB= 150272
65	74760532		BOLT
66	140942X011		PLATE DASH SILKSC
71	73640400		NUT HXKEP 1/4X20
72	110350X550		STRAP FENDER ASM
74	73680600		SUB= 73690600
86	123764X550		PANEL SIDE RH ASM
87	123765X550		PANEL SIDE LH ASM
90	19091216		WASHER PM
102	2751R		CLIP T
108	74760612		SUB= 74780612
115	121794X		COVER ACCESS
114	145349		BRACKET.SUPT.DASH
117	144283		WASHER.SERRATED.
118	145595		BRACKET.CLUTCH.MC
123	149036		BRACKET.PICK.RH.
124	149037		BRACKET.PICK.LH.
125	74180412		SCREW
127	120579X		PAL NUT
128	124201X		SCREW SPECIAL

TRACTOR - - MODEL NUMBER GT4418C

DECALS

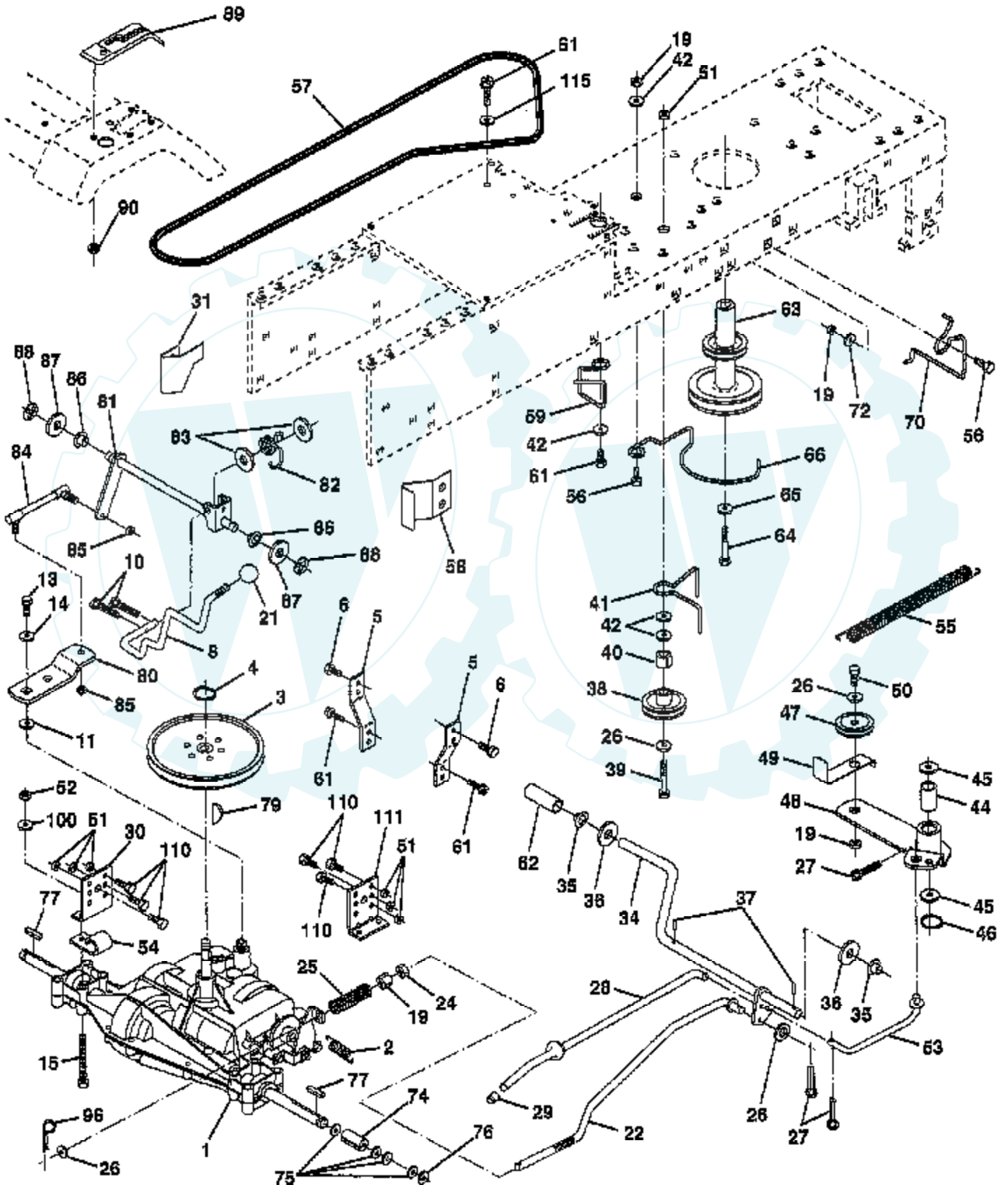


NOTE: All component dimensions given in U.S. inches
1 inch = 25.4 mm

Ref #	Part Number	Qty	Description
1	272270		REFER TO IMAGE
2	272757		DECAL CHASSIS
3	143215		DECAL B&S 18 HP OPLLN/IC
4	143214		DECAL HD LH
5	143219		DECAL HD RH
6	140837		DECAL LOGO GRILLE
7	141898		DECAL BRAK PARK
8	141897		DECAL CAUT FEND
9	143224		DECAL CLUT/BRAKE
10	139346		DECAL CHASSIS YT
11	144475		"DECAL.V.BELT.44""
12	141901		DECAL.FEN.GT.KMAR
13	141901		DECAL INST OP DAS
14	272101		DECAL ENG B/S REWIND
15	272629		DECAL ENGINE B/S INST
16	141872		DECAL DANGER CT/F
	146463		DECAL.INST.WHL.ST
	138311		DECAL HANDLE LIFT
	133671		FOOTREST PAD
	149258		MANUAL OWNERS ENG
	149259		MANUAL OWNERS SPAN
	TA321		55LB. WHEEL WTS.
	LBD48		SNOW BLADE
	LSB42		SNOW THROWER
	TR01		GRADER BLADE
	TX11		SLEEVE HITCH

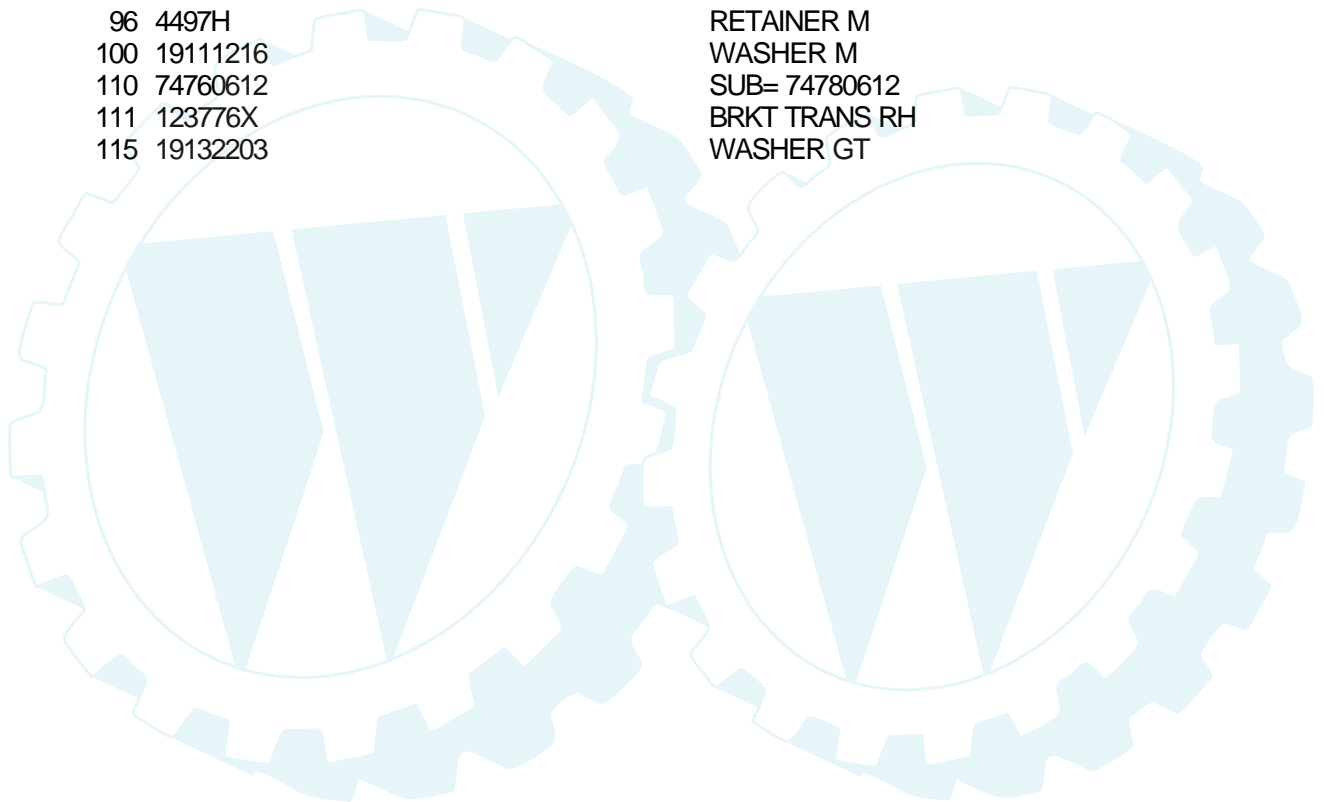
TRACTOR - - MODEL NUMBER GT4418C

DRIVE



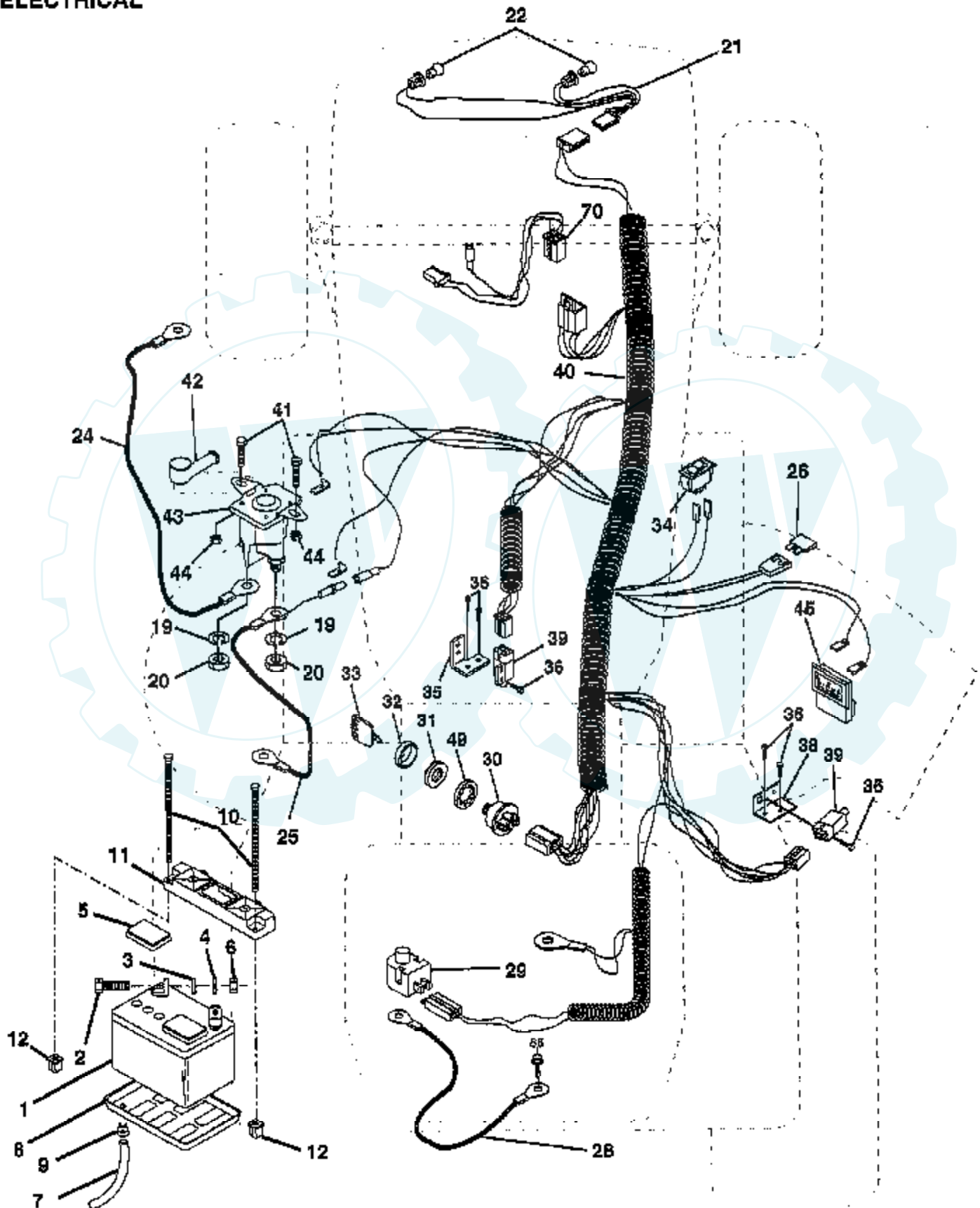
Ref #	Part Number	Qty	Description
1	138788		TRANSAX. PRLES.
2	110422X		SUB= 146682
3	121327X		PULLEY TRANSAXLE
4	12000004		RING
5	123787X		STRAP TORQUE
6	17490512		SCREW
8	123781X		SUB= 141002
10	76020416		PIN COTTER 1/8
11	105701X		WASH-SHFT PLT LT
13	74550412		BOLT.1/4-28.W/PAT
14	19091216		WASHER PM
15	74780544		BOLT HEX
19	73800600		NUT
21	106933X		KNOB T (1/2-HOLE)
22	145340		ROD.ASM.BK.44.MWR
24	73350600		NUT
25	126909X		"SPRING,ROD BRAKE"
26	19131316		WASHER
27	76020412		COTTER PIN
28	145204		ROD.BRAKE.PARK.LT
29	71673		PLUNGER CAP T
30	123780X		BRKT TRANS LH
31	123791X		KEEPER BELT LH
34	149001		SHAFT.PEDAL.FOOT
35	120183X		NYLON BEARING
36	19211616		WASHER LT
37	1572H		SUB= 2882J
38	123674X		PULLEY.IDLER.FLAT
39	74760644		BOLT
40	4470J		SPACER T
41	109070X		BELT KEEPER LT
42	19131312		WASHER
44	105706X		"LY, BEARING"
45	110812X		WASHER LT
46	12000039		KLIP RING
47	127783		SUB= 139245
48	123789X		ARM IDLER
49	123205X		RETAIN BELT
50	74760624		SUB= 74930624
51	73680600		SUB= 73690600
52	73800500		NUT
53	105710X		"LINK, CLUTCH T"
54	126471X		"CLIP,INSULATOR"
55	105709X		"SPRING, RETURN LT"
56	74760620		SUB= 74780620
57	123796X		BELT.GRDRV.94.75
58	123792X		"KEEPER,BELT RH"
59	140312		KEEPER BELT CNTSP
61	17490612		SCREW
62	8883R		PEDAL COVER T
63	140186		PULLEY.ENGINE
64	71170764		BOLT
65	10040700		LOCKWASHER
66	129921		KEEPER.BELT.ENG.L
70	134683		KEEPER BELT ENG
72	19132012		WASHER
74	108097X		SPACER HYT
75	123800X		WASHER

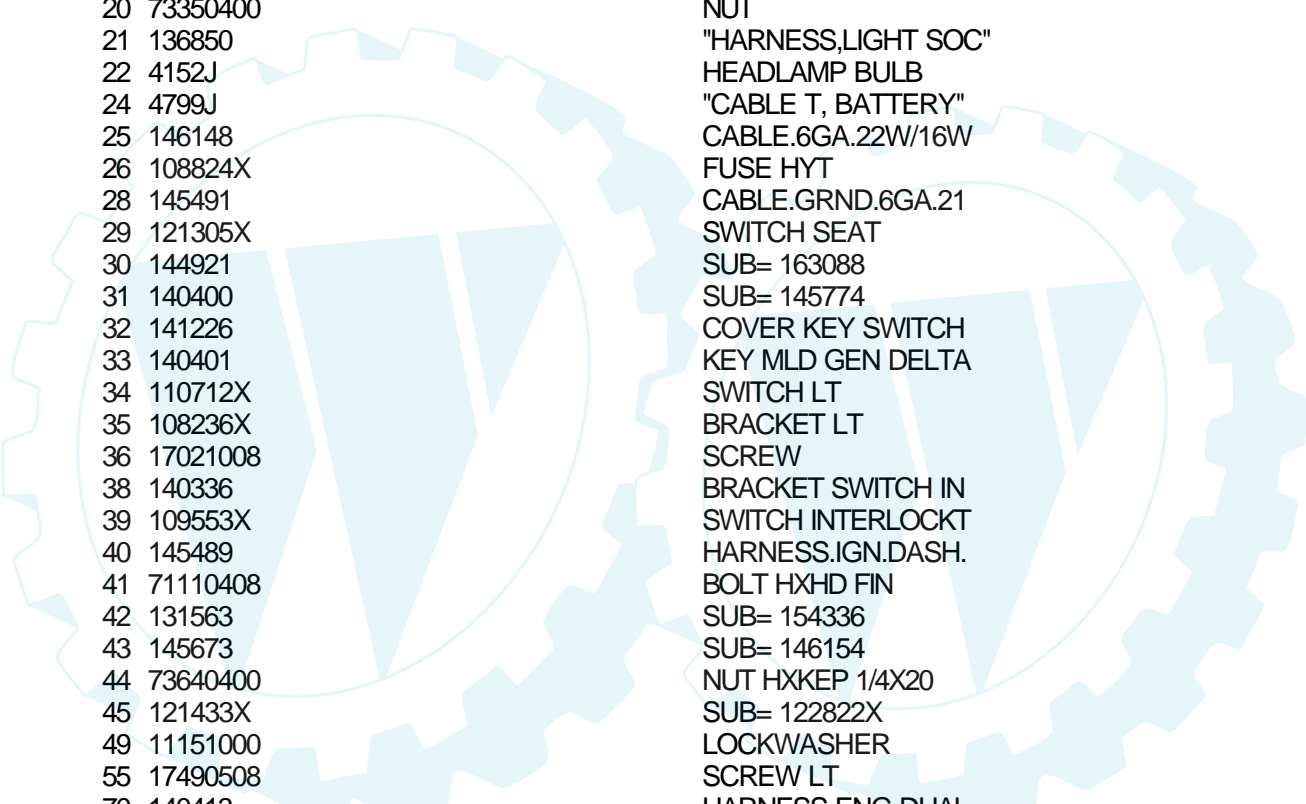
Ref #	Part Number	Qty	Description
76	12000053		E RING HYT
77	9396E		SQ KEY STD
79	2228M		SUB= 2228M1
80	123794X		"ARM,SHIFT"
81	123772X		"SHAFT,SHIFTER"
82	123782X		"SPRING,TORSION"
83	19171216		WASHER
84	123793X		"ROD,TIE "
85	73530400		NUT 1/4-28
86	71208		BUSHING
87	19212016		WASHER D
88	12000008		KLIP RING
89	139992		CONSOLE SHIFTER
90	124346X		NUT
96	4497H		RETAINER M
100	19111216		WASHER M
110	74760612		SUB= 74780612
111	123776X		BRKT TRANS RH
115	19132203		WASHER GT



TRACTOR -- MODEL NUMBER GT4418C

ELECTRICAL

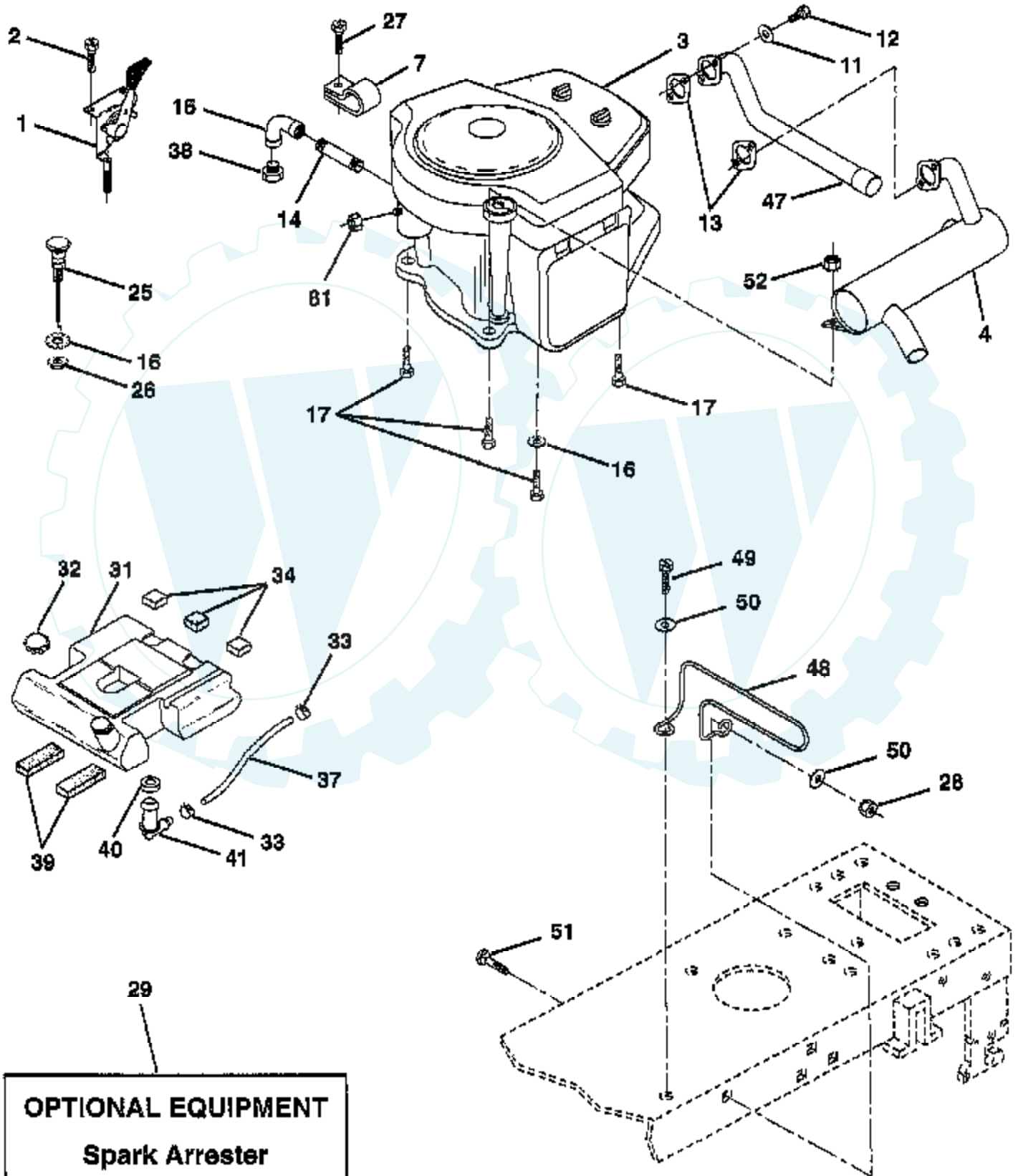




Ref #	Part Number	Qty	Description
1	121265X		SUB= 123899X
2	74760412		BOLT LT
3	19091016		WASHER
4	10040400		LOCKWASHER
5	121264X		"CAP,BATTERY "
6	73220400		SUB= 50675
7	7697J		"DRAIN TU T, BATT"
8	7603J		"TRAY T, BATTERY"
9	109596X		HOSE CLAMP T
10	145211		SUB= 150177
11	145209		SUB= 150109
12	145769		SUB= 150177
19	10090400		SUB= 10040400
20	73350400		NUT
21	136850		"HARNES, LIGHT SOC"
22	4152J		HEADLAMP BULB
24	4799J		"CABLE T, BATTERY"
25	146148		CABLE.6GA.22W/16W
26	108824X		FUSE HYT
28	145491		CABLE.GRND.6GA.21
29	121305X		SWITCH SEAT
30	144921		SUB= 163088
31	140400		SUB= 145774
32	141226		COVER KEY SWITCH
33	140401		KEY MLD GEN DELTA
34	110712X		SWITCH LT
35	108236X		BRACKET LT
36	17021008		SCREW
38	140336		BRACKET SWITCH IN
39	109553X		SWITCH INTERLOCKT
40	145489		HARNES.IGN.DASH.
41	71110408		BOLT HXHD FIN
42	131563		SUB= 154336
43	145673		SUB= 146154
44	73640400		NUT HXKEP 1/4X20
45	121433X		SUB= 122822X
49	11151000		LOCKWASHER
55	17490508		SCREW LT
70	140413		HARNES ENG DUAL

TRACTOR - - MODEL NUMBER GT4418C

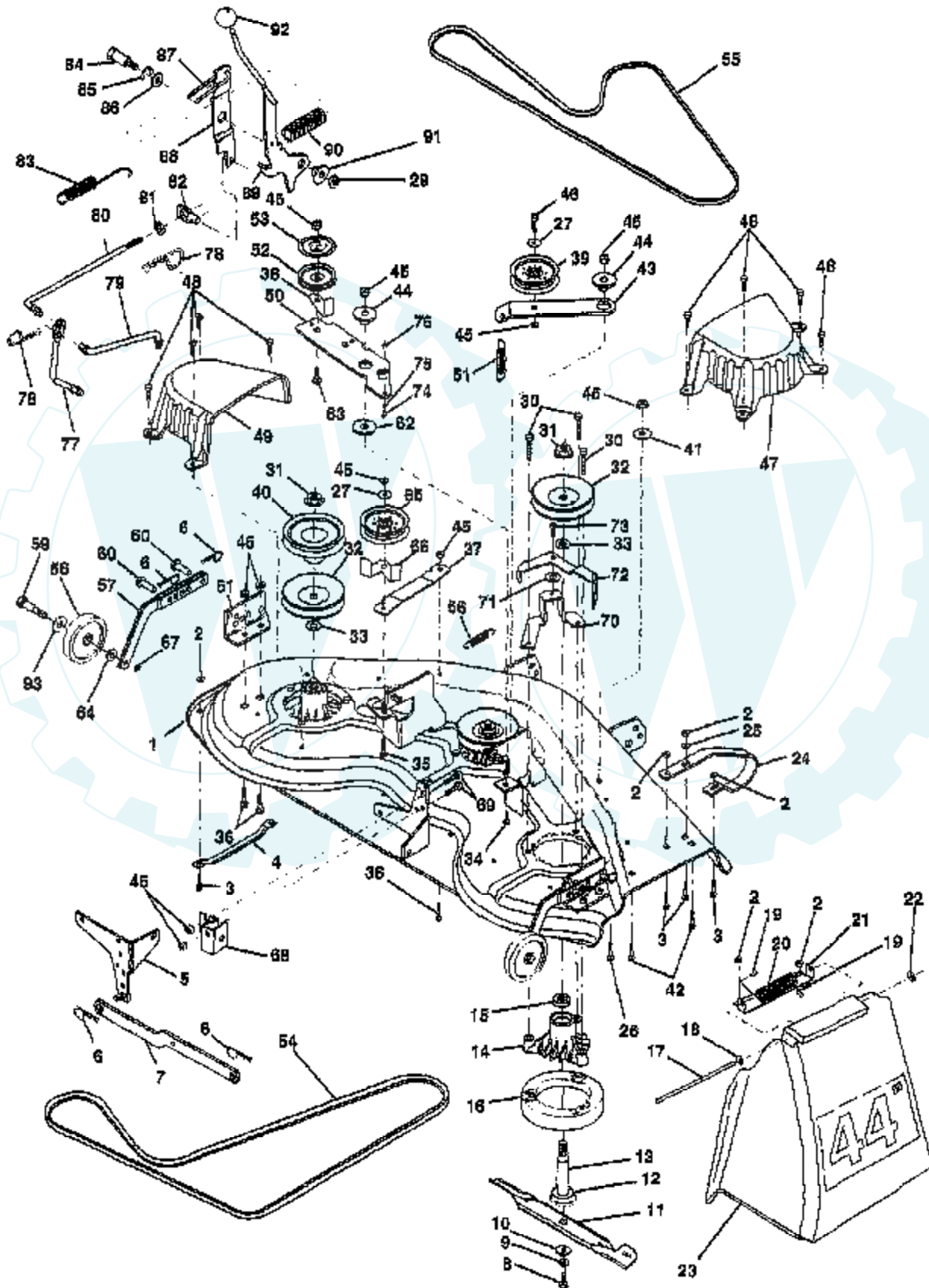
ENGINE



Ref #	Part Number	Qty	Description
1	143885		CONTROL.TRTL.37
2	17720410		SCREW LT
3			CHECK WITH SUPPLIER
4	108373X		MUFFLER HYT
7	138129		CLAMP.TUBE.DBL.EN
11	10040400		LOCKWASHER
12	74780412		SUB= 74780414
13	272250		GASKET MUFFLER
14	13280336		PIPE NIPPLE LT
15	13200300		ELBOW
16	11050600		LOCKWASHER
16	11050600		LOCKWASHER
17	17490624		SCREW LT
25	138672		"CONTROL.CHOKE.51""
26	73610600		SUB= 7810H
27	17541008		SCREW.10-24X1/2
29	137180		SUB= 532137180
31	141069		SUB= 151346
32	140527		CAP ASM FUEL
33	123487X		HOSE CLAMP
34	106082X		PAD-SPACER LT
37	8543R		FUEL LINE T
38			CHECK WITH SUPPLIER
39	109227X		PAD IDLER TI
40	3645J		BUSHING OUTLET T
41	139277		STEM.TANK.FUEL
47	100229L		EXHAUST TUBE T
48	135029		MUFFLER GUARD
49	17490612		SCREW
50	19131616		WASHER HYT
51	72110608		BOLT D
52	73510600		NUT
81	73510400		NUT

TRACTOR -- MODEL NUMBER GT4418C

MOWER DECK

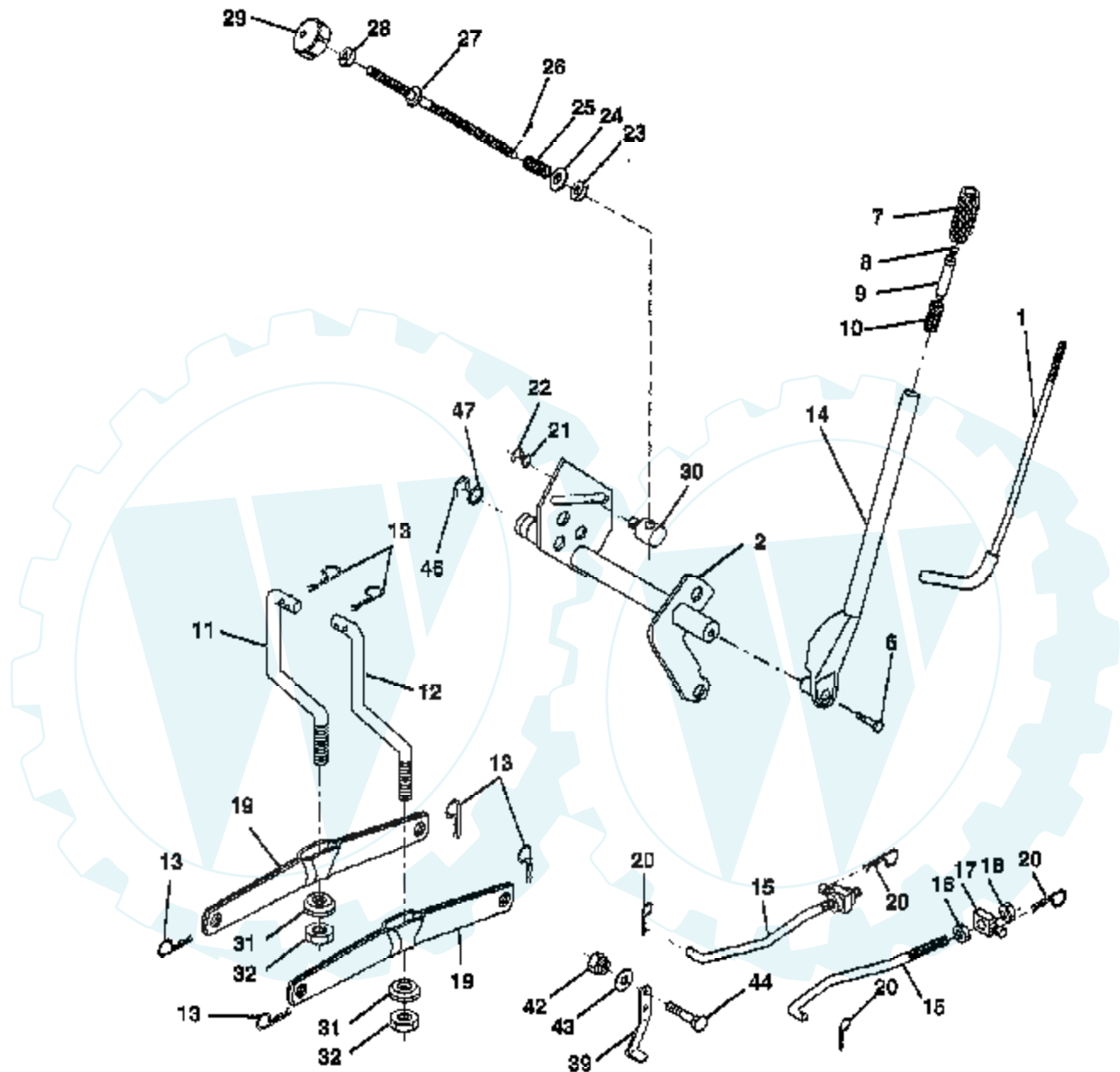


Ref #	Part Number	Qty	Description
1	140579		"DECK ASM WELD44""
2	73680500		SUB= 73690500
3	72110506		SUB= 72270506
4	7631J		RUNNER-LH M
5	138457		BRKT.ASM.SW.44/50
6	4939M		SUB= 85902
7	130832		SUB= 130833
8	850857		BLADE BOLT
9	10030600		SUB= 10040600
10	140296		WASHER.HARD.BLADE
11	130652		"BLADE.44"" HIPERF"
12	129895		BEARING.BALL
13	137553		SHAFT.ASM.W/BRNG
14	137152		HOUSING.MAND.44.V
15	110485X		BEARING
16	140329		STRIPPER RND MWR
17	106735X		ROD-HINGE T
18	19111016		WASHER
19	105304X		CAP-SLEEVE LT
20	123713X		SPRING TORSION
21	137607		BRKT DEFLECTOR
22	110452X		NUT PUSH M
23	109785X		DEFLECTOR SHIELD
24	136321		RUNNER.RH
25	19111216		WASHER M
26	72110606		BOLT
27	19131316		WASHER
29	73680600		SUB= 73690600
30	138776		SUB= 157722
31	137266		SUB= 139729
32	129861		SUB= 153535
33	129963		WASHER
34	72140610		BOLT.3/8-14X1.25
35	72110616		BOLT
36	72110608		BOLT D
37	137166		STIFFENER.ARM.IDL
38	140365		KEEPER BELT IDLER
39	131494		FLAT IDLER PULLEY
40	136572		"PULLEY.DRIVEN.44""
41	19171616		WASHER
42	72140506		BOLT
43	136460		"ARM.IDLER.SEC.44""
44	122052X		SPACER RETAINER
45	73680600		SUB= 73690600
46	74760628		BOLT
47	137200		"COVER.MAND.RH.44""
48	137729		SCREW.1/4-20X5/8
49	136574		COVER.MANDREL.LH
50	137272		ARM.IDLER.PRIMARY
51	137273		"SPRING.SEC.44""VEN"
52	139245		PULLEY.IDLER.VGRO
53	137789		SHIELD.IDLER.44.V
54	142686		BELT-V MOWER PRIM
55	131290		BELT-V.88.12.MW
56	126910X		"SPRING,EXTENTION"
57	136577		BAR.ASM.GUAGE.WHL
58	105455X		WHEEL GAGE BLK.PL
59	4898H		BOLT M

Ref #	Part Number	Qty	Description
60	139031		PIN.CLEVIS
61	136573		BRACKET.GUAGE.WHL
62	133943		HARDENED WASHER
63	72110612		BOLT.3/8-16X1.50
64	19121414		WASHER
65	102403X		IDLER-FLAT T
66	139622		SUB= 918139622
67	73930600		LOCKNUT
68	140364		BRACKET PVT MCH
69	74760612		SUB= 74780612
70	140361		"BRACKET SUPT 44""
71	133944		HARD SMALL WASHER
72	140367		ARM BRAKE ASM
73	139888		BOLT.SHLD.5/16-18
74	133940		SUB= 151785
75	131340		SHOULDER BOLT
76	69180		LOCKNUT
77	133551		PIVOT ROD
78	4497H		RETAINER M
79	140363		ROD CLUTCH SECON
80	143354		ROD.CLUTCH.PRIM44
81	73350600		NUT
82	142028		TRUNION ADJ
83	146927		SPRING.EXT.RETURN
84	128903		SHOULDER BOLT
85	12000029		RING
86	121748X		WASHER
87	127845		SPRING KEEPER
88	127847		CLUTCH ARM SECOND
89	140333		SUB= 140333X431
90	128759		SUB= 918128759
91	127498		BUSHING
92	106933X		KNOB T (1/2-HOLE)
93	19171512		WASHER
	143419		DECK MOWER COMP
	143651		MANDREL SERV ASM

TRACTOR - - MODEL NUMBER GT4418C

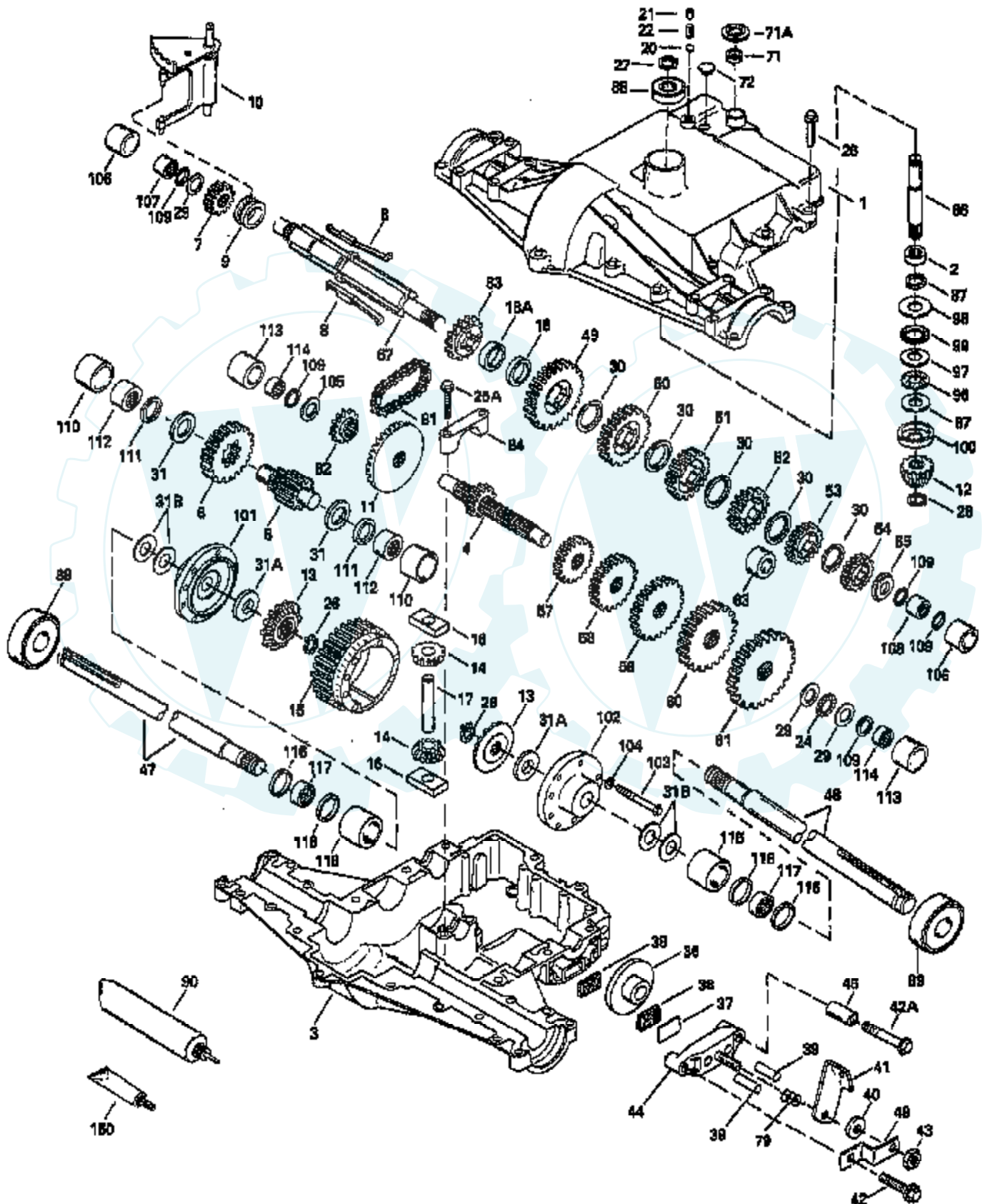
MOWER LIFT



NOTE: All component dimensions given in U.S. inches.
1 Inch = 25.4 mm

Ref #	Part Number	Qty	Description
1	121006X		LEVER ROD LT
2	140673		SHAFT LIFT W/IND
6	74780624		"BOLT,HEX"
7	109413X		GRIP
8	124526X		SUB= 125925X
9	122364X		SUB= 125925X
10	2876H		SPRING T
11	145537		LINK.LIFT.LH.GTV
12	145536		LINK.LIFT.RH.GTV.
13	4939M		SUB= 85902
14	121002X		SUB= 123096X
15	127218		LINK.FRONT
16	73350800		NUT
17	130171		TRUNION
18	73800800		NUT.LK.W/WSH.1/2.
19	139868		ARM SUSP REAR
20	3146R		RETAINER.SPRING
21	19151216		WASHER
22	12000037		KLIP RING
23	110807X		NUT T
24	19131016		WASHER
25	2876H		SPRING T
26	76020308		SUB= 3145
27	137167		ROD.ADJ.LIFT
28	73350600		NUT
29	138057		KNOB INF 3/8-16
30	110810X		TRUNION LT
31	140302		BEARING PVT LH
32	73810600		NUT.LOCK.3/8-24
39	142992		STOP.OVER.CENTER
42	73680600		SUB= 73690600
43	19131612		WASHER GT
44	72240608		BOLT
46	12000022		E-RING
47	19292016		WASHER

TRACTOR - - MODEL NUMBER GT4418C PEERLESS TRANSAXLE - MODEL NUMBER 820-016B

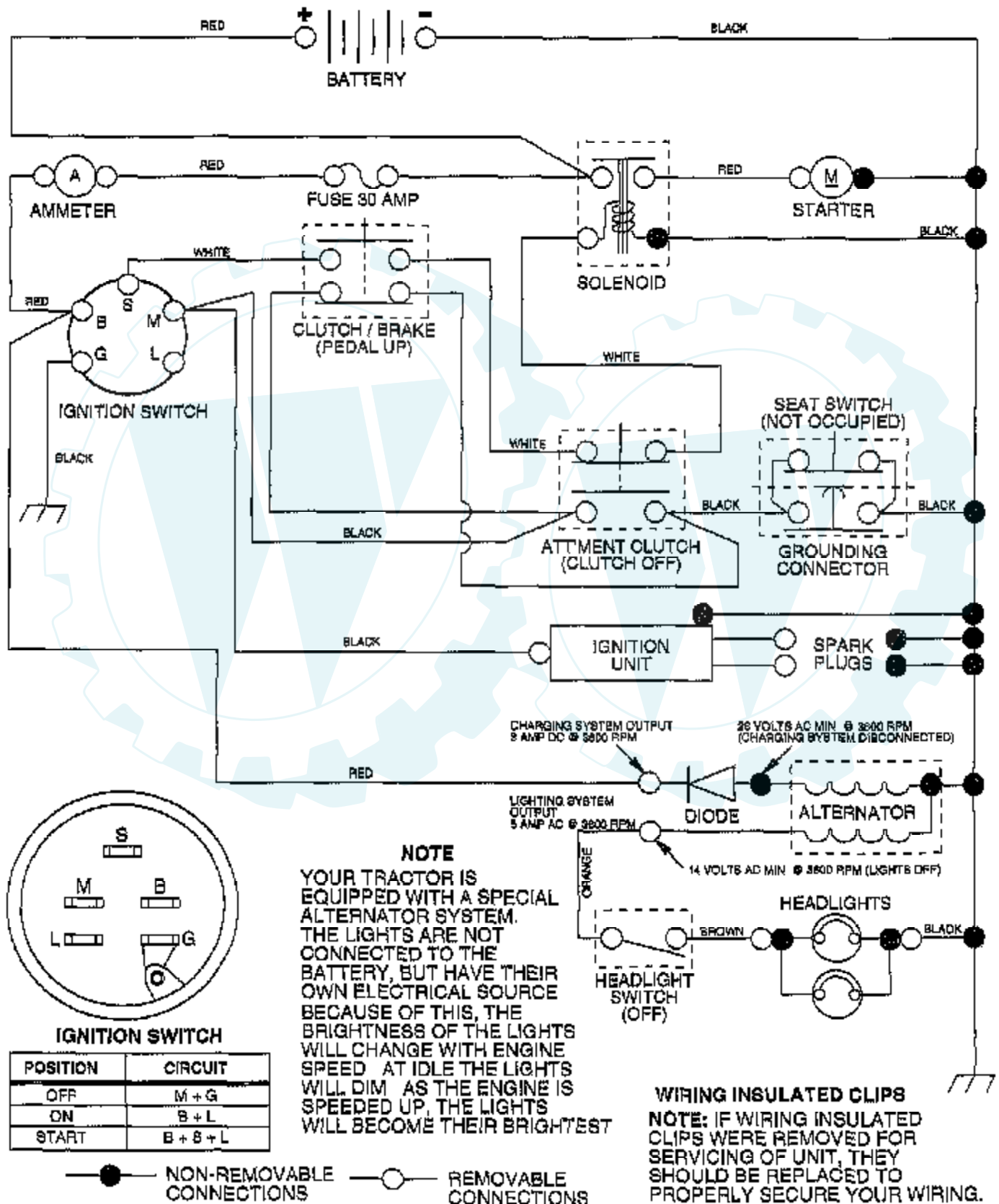


Ref #	Part Number	Qty	Description
	794513		TRANSAXLE, COMPLETE
1	772098A		COVER TRANSAXLE
2	780155		BEARING NEEDLE
3	770088		CASE TRANSAXLE
4	776291		SHAFT COUNTER
5	776275		SHAFT, OUTPUT, 9T
6	778247		GEAR, OUTPUT, 35T
7	778253		GEAR, SPUR, 15T
8	792138		KEY
9	784216		COLLAR SHIFT
10	784342		ROD AND FORK ASSY SHIFT
11	778246		GEAR BEVEL, 33T
12	778245		BEVEL PINION, 13T
13	778198		GEAR BEVEL
14	778197		PINION, 10T
15	778248		GEAR, RING, 31T
16	786027		BLOCK DRIVE
17	786019		PIN DRIVE
18	786121		SPACER, .350/.340 THICK
18A	786122		SPACER, .276/.268 THICK
20	792077		BALL STEEL, 5/16" DIA.
21	792078		SCREW, 3/8-16 X 3/8"
22	792079		SPRING
24	780071		THRUST BEARING
25	792129		SCREW HEX HD 5/16-18 X 1-1/4
25A	792073		SCREW, 1/4-20 X 1-1/4
26	792018		RING STRAP
27	792018		RING STRAP
28	788040		RETAINING RING
29	780072		WASHER THRUST
30	780108		WASHER THRUST
31	780128		WASHER THRUST
31A	780107		WASHER
31B	780042		WASHER THRUST
36	790043		DISK BRAKE
37	790007		PLATE BRAKE PAD
38	799021		BRAKE PAD
39	786026		PIN DOWEL
40	792076A		WASHER
41	790047		LEVER BRAKE
42	792073		SCREW, 1/4-20 X 1-1/4
42A	792085A		SCREW, 1/4-20 X 2-1/4
43	792075		LOCKNUT 5/16-24
44	790025		HOLDER BRAKE PAD
45	786067		SPACER
46	786086		BRKT BRAKE LEVER
47	774832		AXLE, 12-5/16" LONG
48	774831		AXLE, 16-3/16" LONG
49	778216A		GEAR, SPUR, 41T
50	778206A		GEAR, SPUR, 35T
51	778205A		GEAR, SPUR, 30T
52	778204A		GEAR, SPUR, 25T
53	778203A		GEAR, SPUR, 22T
54	778273		GEAR, SPUR, 19T
57	778199		GEAR, SPUR, 15T
58	778200		GEAR, SPUR, 20T
59	778201		GEAR, SPUR, 25T
60	778202		GEAR, SPUR, 28T

Ref #	Part Number	Qty	Description
61	778208		GEAR, SPUR, 31T
65	780139		WASHER
66	776274		SHAFT INPUT
67	776313		SHAFT BRAKE
71	788069		SEAL SQUARE CUT
71A	792145		PUSHNUT
72	792074		PLUG, THRDED, 9/16-18
79	792144		SPRING
81	786081		CHAIN, ROLLER
82	786082		SPROCKET 9T
83	786123		SPROCKET 18T (REV)
84	786131		BEARING CAP
87	788042		OIL SEAL 3/4
88	780119		BEARING BALL
89	780050		BEARING BALL
90	788067B		GREASE BENTONITE, 32 OZ.
96	780084		BEARING THRUST
97	780051		WASHER THRUST
98	780165		WASHER
99	788077		"O" RING
100	780166		WASHER CUPPED
101	774833		CARRIER DIFF THREADED HOLES
102	774834		CARRIER DIFF
103	792020		SCREW, 1/4-20 X 2-1/4
104	792006		WASHER LOCK 1/4
105	780153		WASHER
106	786144		SLEEVE
107	780152		BEARING NEEDLE
108	780150		BEARING NEEDLE
109	792001		"O" RING
110	786142		SLEEVE STEPPED
111	788071		RING SQ CUT
112	780168		BEARING NEEDLE CAPPED
113	786143		SLEEVE STEPPED
114	780151		BEARING NEEDLE CAPPED
115	786145		SLEEVE STEPPED
116	788070		RING SQ CUT
117	780031		BEARING NEEDLE
150	510334		GASKET ELIMINATOR

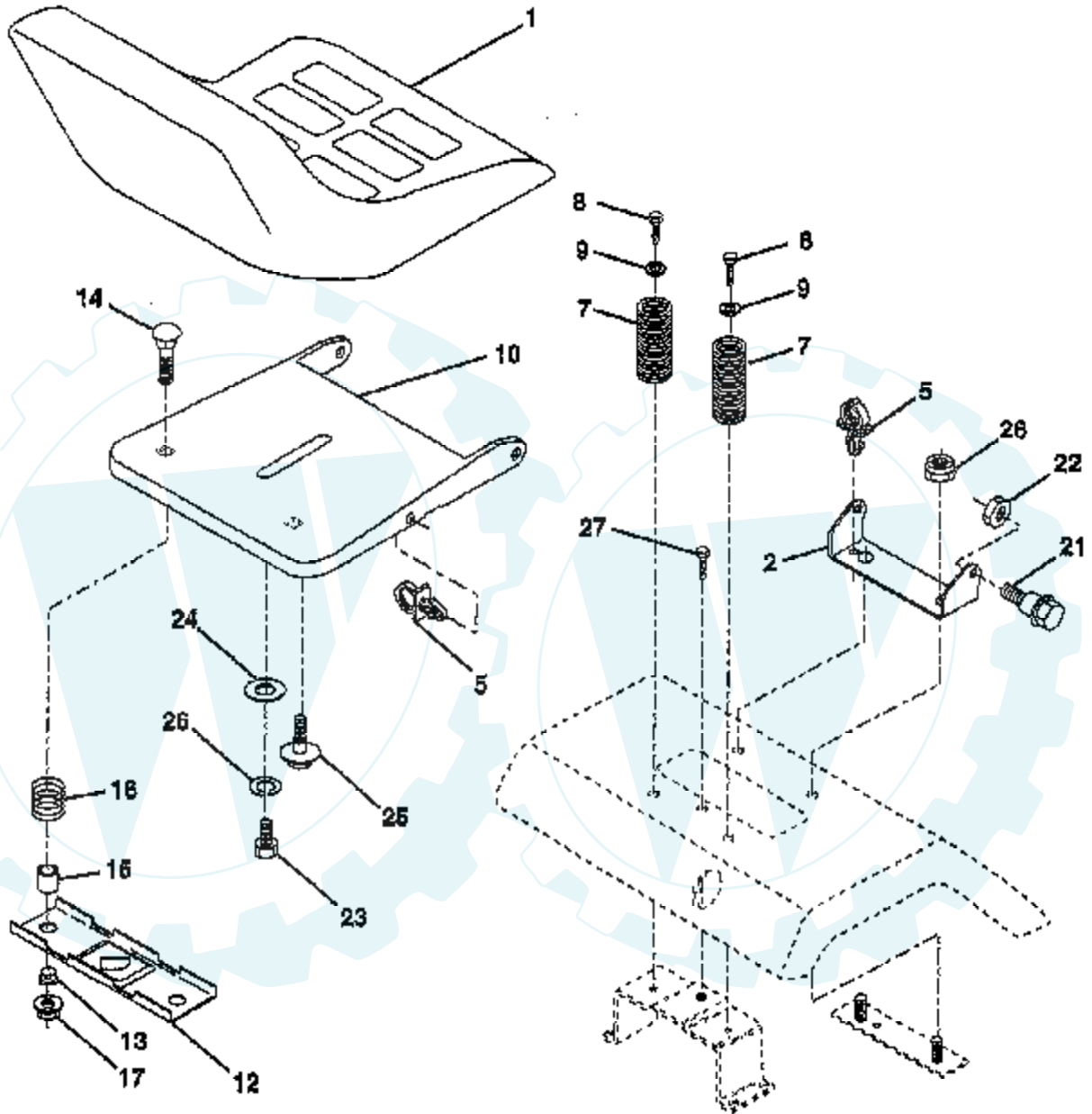
TRACTOR - - MODEL NUMBER GT4418C

SCHEMATIC



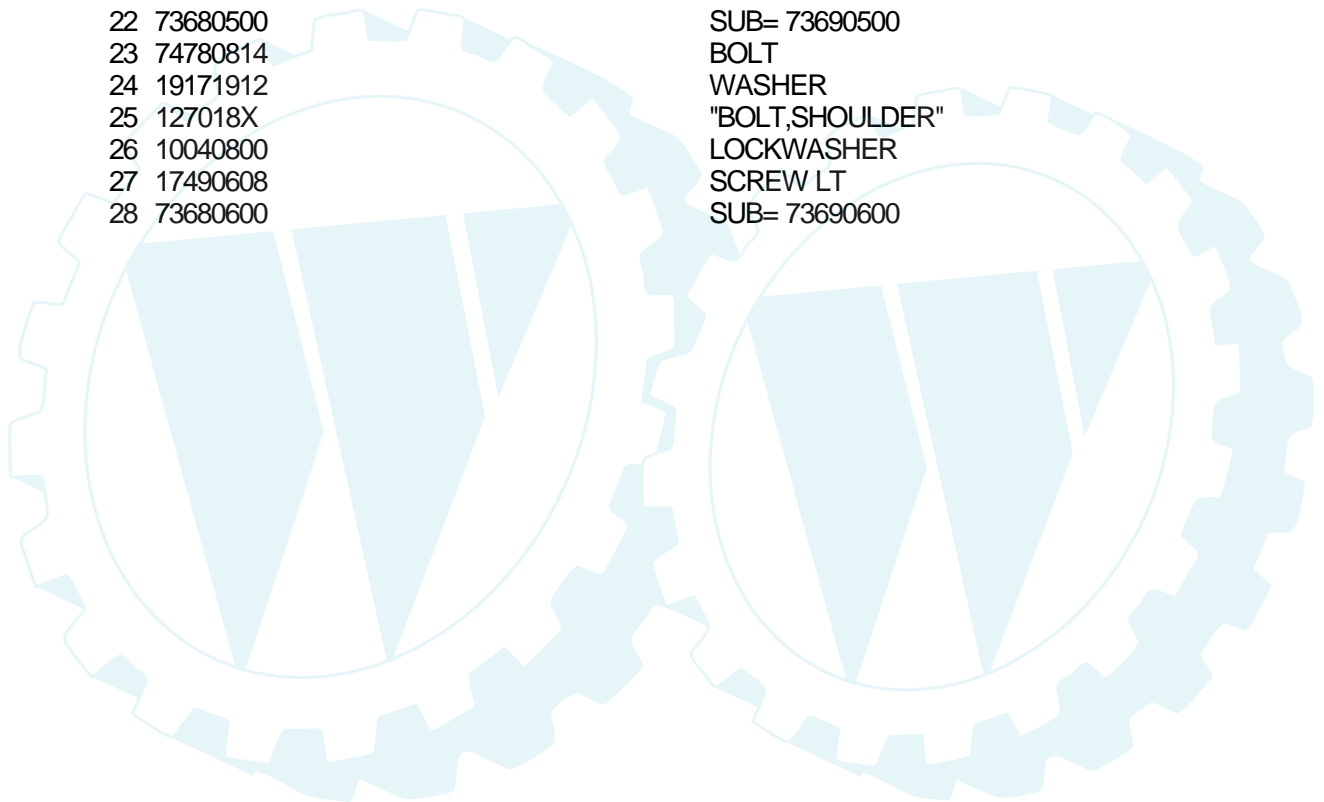
TRACTOR - - MODEL NUMBER GT4418C

SEAT



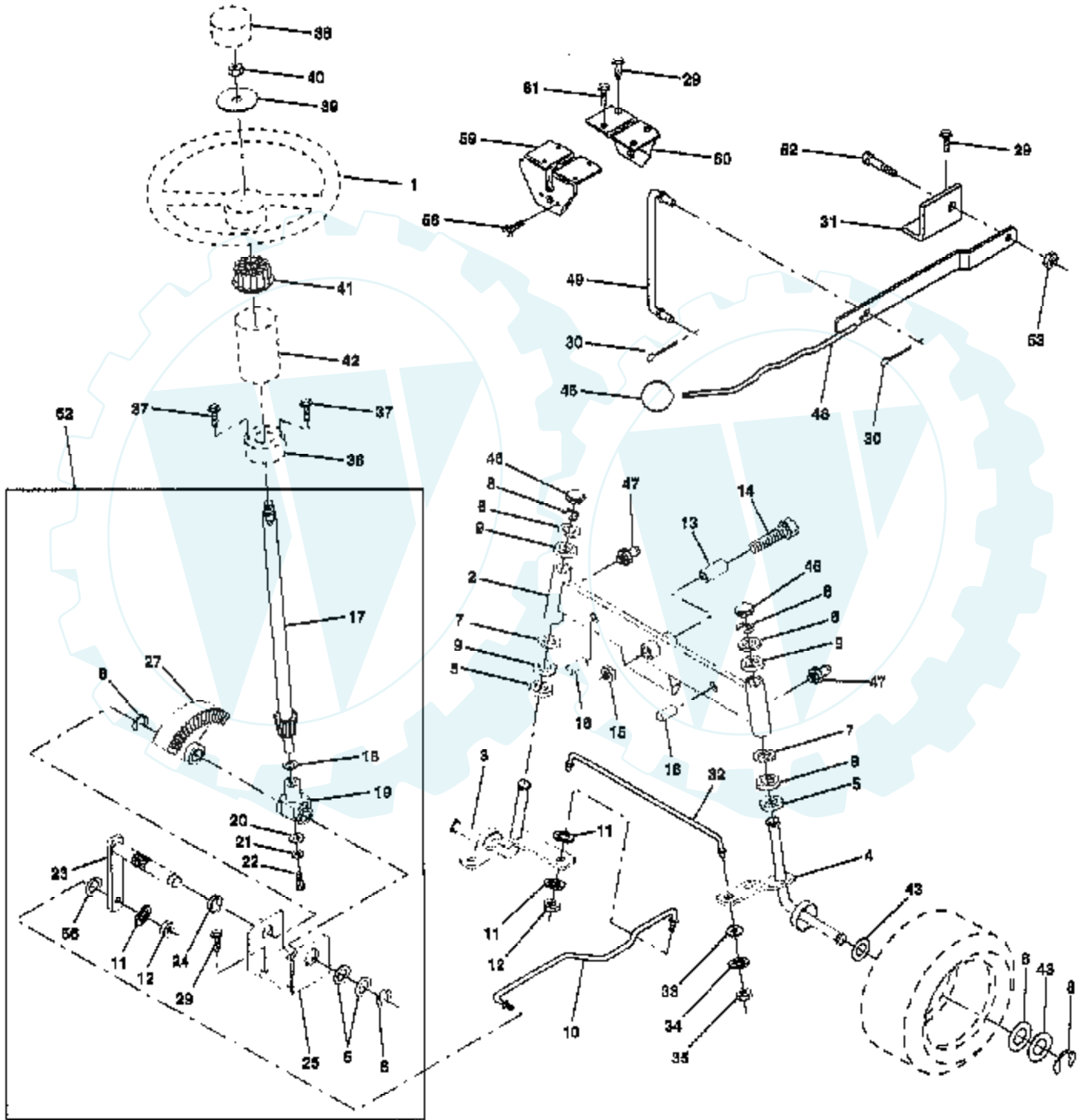
NOTE: All component dimensions given in U.S. Inches
1 inch = 25.4 mm

Ref #	Part Number	Qty	Description
1	127429X		SUB= 140121
2	140551		BRACKET PVT SEAT
5	145006		CLIP.PUSH-IN.HING
7	124181X		SPRING COMPRESSIO
8	17490508		SCREW LT
9	19131614		WASHER
10	140552		SUB= 155925
12	121246X		BRKT SWITCH
13	121248X		BUSHING
14	72050411		SUB= 872050411
15	121249X		SPACER SPLIT
16	123740X		SPRING COMPRESSED
17	123976X		SUB= 73900400
21	139888		BOLT.SHLD.5/16-18
22	73680500		SUB= 73690500
23	74780814		BOLT
24	19171912		WASHER
25	127018X		"BOLT,SHOULDER"
26	10040800		LOCKWASHER
27	17490608		SCREW LT
28	73680600		SUB= 73690600



TRACTOR - - MODEL NUMBER GT4418C

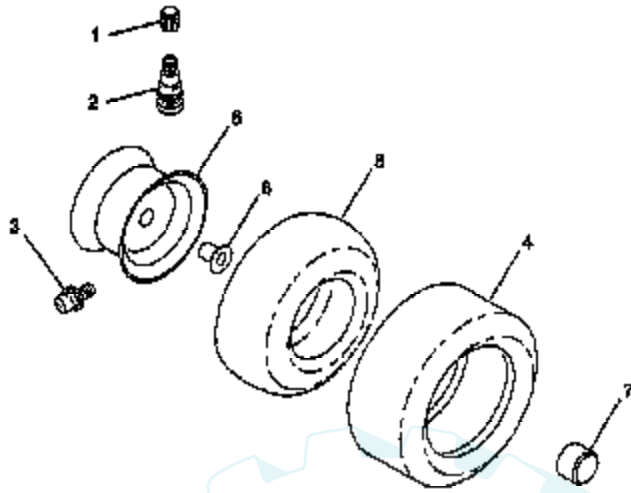
STEERING ASSEMBLY



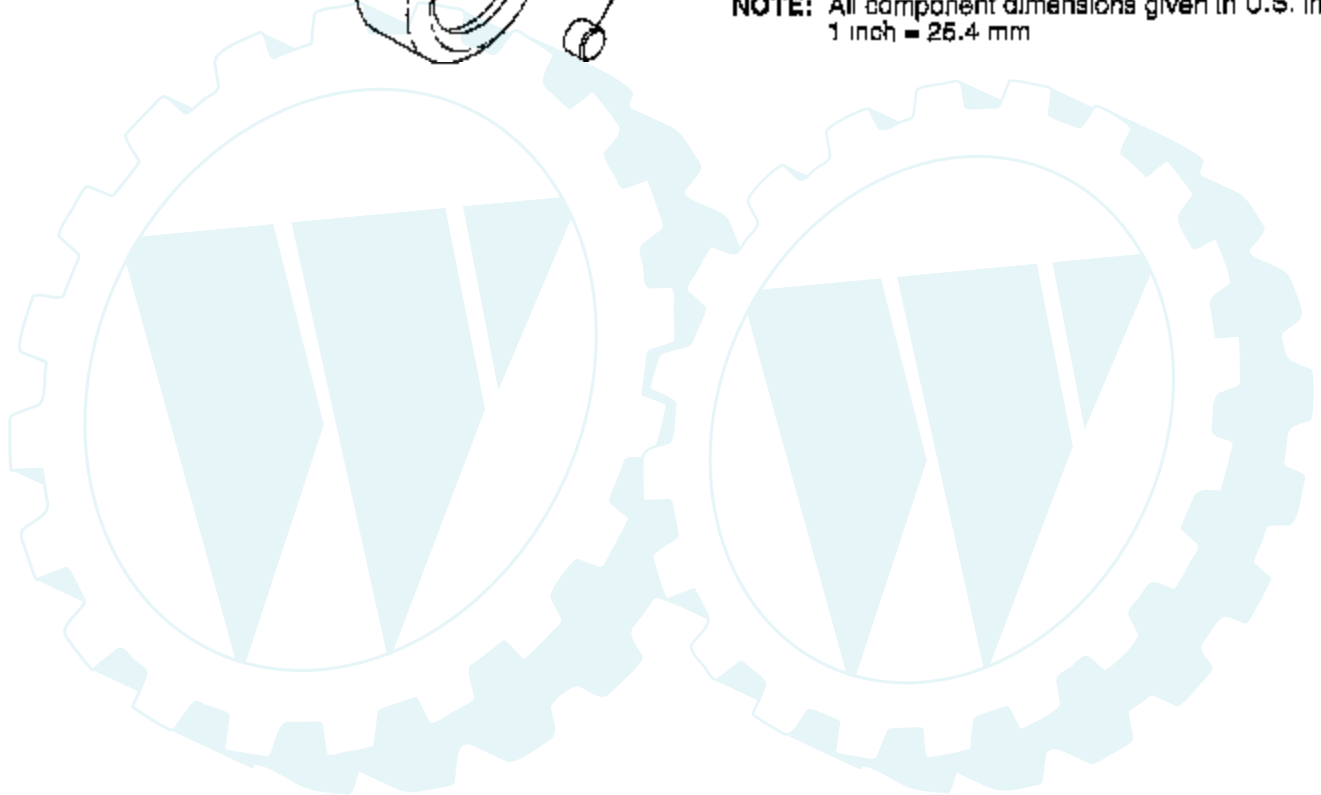
Ref #	Part Number	Qty	Description
1	133741		SUB= 150547
2	142033		AXLE ASM FRONT
3	145410		SUB= 145410X431
4	145413		SUB= 145413X431
5	6266H		WASHER .T
6	121748X		WASHER
7	19272016		WASHER
8	12000029		RING
9	3366R		COL. SRTG. BEAR.
10	130468		SUB= 532130468
11	10040600		LOCKWASHER
12	73610600		SUB= 7810H
13	110438X		BEARING
14	74761060		BOLT LT
15	73901000		"NUT-LOC,FLANGE LT"
16	132624		AXLE PIN
17	128758		STEERING SHAFT
18	57079		THRUST WASHER
19	124035X		SUPPORT.SHAFT
20	126684X		SUB= 532126684
21	10040400		LOCKWASHER
22	71070410		"SCREW,SPECIAL"
23	127501		SUB= 918127501
24	109816X		NYLINER T
25	124036X		"BRKT,STEERING"
27	136874		GEAR SECTOR
29	17490612		SCREW
30	76020412		COTTER PIN
31	138170		BRKT.PVT.MAN.LVR.
32	139929		ROD.TIE.19.75
33	19111216		WASHER M
34	10040500		LOCKWASHER
35	73810500		NUT.LOCK.5/16-24
36	145207		BUSHING.STRG.3/4
37	17541008		SCREW.10-24X1/2
38	133742		ST WHL INSERT CAP
39	100712K		WASHER
40	73940800		SUB= 73360800
41	100711L		ADAPTER LT
42	140216		BOOT SHAFT STEER
43	121749X		WASHER
45	106933X		KNOB T (1/2-HOLE)
46	121232X		CAP
47	6855M		ZERK M
48	146843		LEVER.CLUTCH.MOWR
49	131291		LINK CLTCH W/NUTS
52	106451X		"BOLT, SHOULDER LT"
53	73680600		SUB= 73690600
56	19131210		WASHER
58	17490508		SCREW LT
59	105663X		SUPPORT-SADDL T
60	105664X		SUPPORT.SADDLE.FT
61	122819X		SCREW SPECIAL
62	149682		SUB= 156595

WHEELS & TIRES

TRACTOR - - MODEL NUMBER GT4418C



NOTE: All component dimensions given in U.S. inches
1 inch = 25.4 mm



Ref #	Part Number	Qty	Description
1	59192		VALVE CAP
2	65139		VALVE STEM LT
3	278H		FITTING LT
4	106230X		SUB= 122075X
4	140183		TIRE.R.23X9.5-12
5	59904		TUBE.5.3/4.5/6
5	7154J		TUBE.23X8/10-12
6	106228X551		"RIM ASM FRT 8""
6	124074X551		"RIM.ASM.REAR.12""
7	104757X		HUB CAP
8	9040H		"FLANGE, BEARING"

