

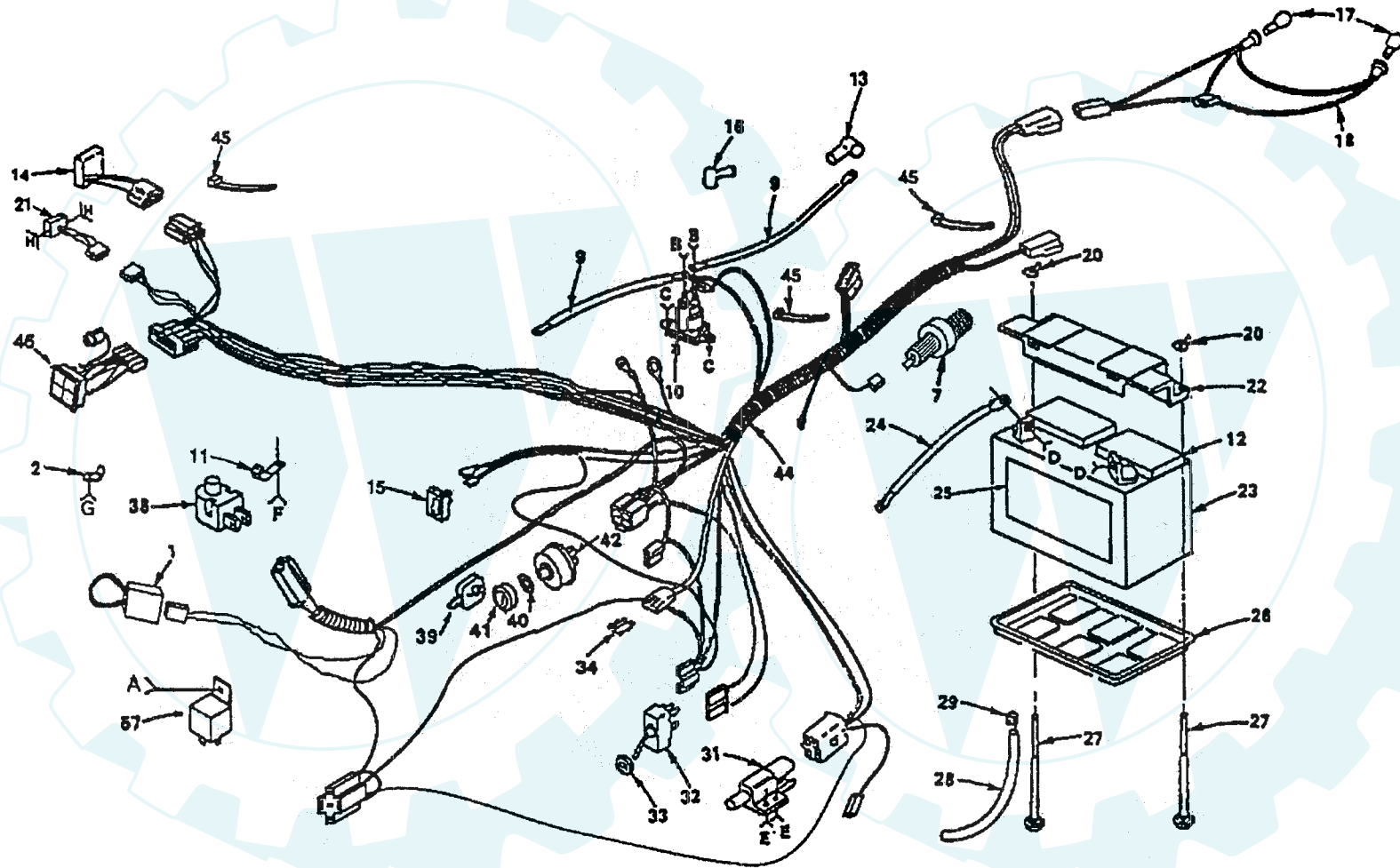
REPAIR PARTS

www.ersatzteil-service.de

GARDEN TRACTOR

ELECTRICAL

2



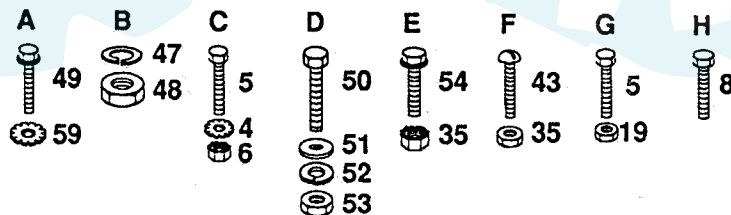
GARDEN TRACTOR

ELECTRICAL

| KEY NO. | PART NO. | DESCRIPTION |
|---------|-----------|----------------------------------|
| 1 | 532102501 | Loop, Wire |
| 2 | 532124995 | Clip, Insulated |
| 4 | 811050400 | Washer, Lock Ext. Tooth 1/4 |
| 5 | 874780408 | Bolt, Hex 1/4-20 x 1/2 |
| 6 | 873510400 | Nut, Hex Keps. 1/4-20 |
| 7 | 532126825 | Switch, Oil Sensor |
| 8 | 817011008 | Screw #10-24 x 1/2 |
| 9 | 532124770 | Cable - Battery |
| 10 | 532109081 | Solenoid |
| 11 | 532004171 | Clip - Insulated |
| 12 | 532121264 | Battery Caps |
| 13 | 532124996 | Clip, Fuel Line |
| 14 | 532109554 | Sensor, Low Voltage |
| 15 | 532110712 | Switch - Light |
| 16 | 532124783 | Cover - Terminal |
| 17 | 532007662 | Bulb - Light |
| 18 | 532110859 | Harness - Light Socket |
| 19 | 873680400 | Nut, Crownlock 1/4-20 |
| 20 | 532123198 | Nut Wing 1/4 - 20 |
| 21 | 532110940 | Meter, Hour |
| 22 | 532102476 | Guard - Terminal |
| 23 | 532121537 | Battery |
| 24 | 532124773 | Cable Ground |
| 25 | 532121549 | Decal, Battery |
| 26 | 532124886 | Tray ~ Battery |
| 27 | 872240460 | Bolt - Carriage 1/4- 20 x 7- 1/2 |
| 28 | 532100541 | Tube- Plastic |
| 29 | 532109596 | Clamp- Hose |

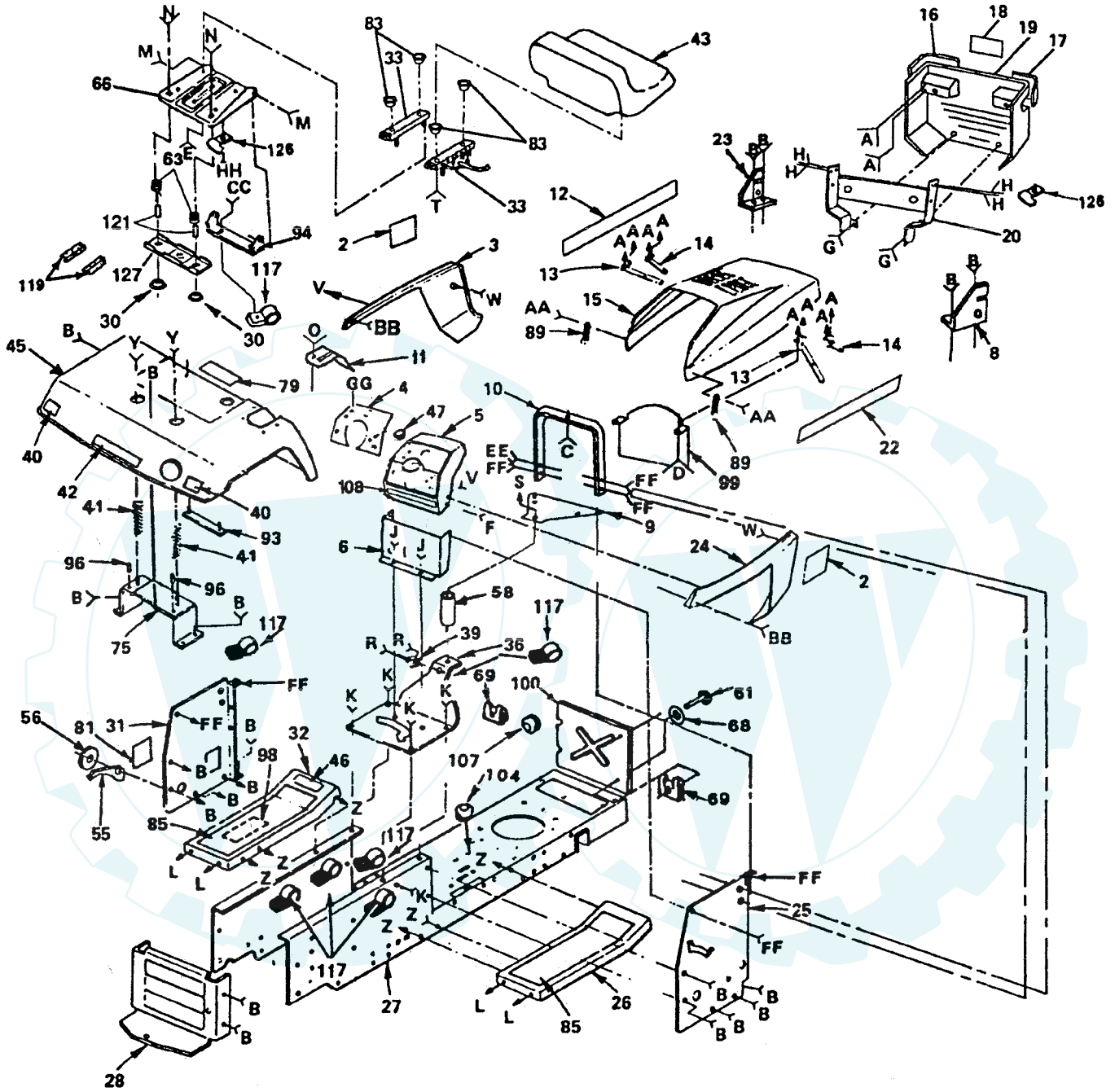
| KEY NO. | PART NO. | DESCRIPTION |
|---------|-----------|--|
| 31 | 532109553 | Switch- Interlock |
| 32 | 532126018 | Switch - P.T.O. |
| 33 | 532124932 | Nut - Hex |
| 34 | 532108824 | Fuse - 30 Amp |
| 35 | 873951000 | Nut - Keps No. 10- 32 |
| 38 | 532121305 | Switch, Seat |
| 39 | 532122147 | Key. |
| 40 | 532109788 | Nut - Ignition |
| 41 | 532109787 | Bezel, Ignition |
| 42 | 532102972 | Switch - Ignition |
| 43 | 874641008 | Screw-Slot-Pan HD 10-32 x 1/2 |
| 44 | 532124384 | Harness - Ignition |
| 45 | 532124756 | Cable Tie |
| 46 | 532109555 | Light Package |
| 47 | 810090400 | Lockwasher 1/4 |
| 48 | 873350400 | Nut, Hex Jam 1/4 - 20 |
| 49 | 817190408 | Screw - Hex Washer Hd. Cutting 1/4-20 x 1/2 |
| 50 | 874760412 | * Bolt - Hex Hd. 1/4 - 20 x 3/4 |
| 51 | 819091016 | Washer 9/32 x 5/8 x 16 Ga. |
| 52 | 810040400 | * Lockwasher 1/4 |
| 53 | 873220400 | * Nut-Hex 1/4-20 |
| 54 | 817021008 | Screw- Hex Washer Hd. No. 10-24 x 1 - 1/2 |
| 57 | 532109748 | Assembly - Relay |
| 59 | 811050600 | Lockwasher, Ext. Tooth 3/8 |
| — | 532124537 | Operator's Manual (English) |
| — | 532124538 | Owners Manual (French) |
| — | 532101539 | Sheet-Insruction, Tractor 15° Slope (English) |
| — | 532101572 | Sheet-Insruction, Tractor 15° Slope (French) |
| --- | 532126892 | Parts Manual (English) |

* STANDARD HARDWARE -- PURCHASE LOCALLY



GARDEN TRACTOR

ENCLOSURES

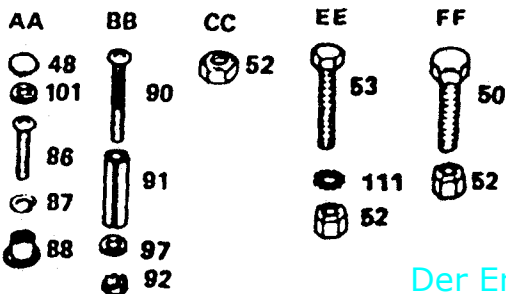


- | | | | | | | | | | | | | | | | | | | | | | |
|-----------|-----------|----------|----------|----------|----------|----------|----------|----------|----------|----------|----------|----------|----------|----------|----------|----------|----------|----------|----------|----------|--|
| A | B | C | D | E | F | G | H | J | K | L | M | N | O | R | S | T | V | W | Y | Z | |
| 49 | 57 | 109 | 53 | 21 | 53 | 59 | 60 | 76 | 65 | 50 | 95 | 44 | 54 | 72 | 73 | 82 | 37 | 7 | 103 | 84 | |
| | | 113 | 52 | 34 | 51 | 78 | 112 | 62 | 34 | 61 | 34 | 123 | 38 | | 34 | | 110 | 49 | 52 | 52 | |
| GG | HH | | | | | | | | | | | | | | | | | | | | |
| 76 | 124 | | | | | | | | | | | | | | | | | | | | |
| 115 | 125 | | | | | | | | | | | | | | | | | | | | |
| 74 | | | | | | | | | | | | | | | | | | | | | |

GARDEN TRACTOR

ENCLOSURES

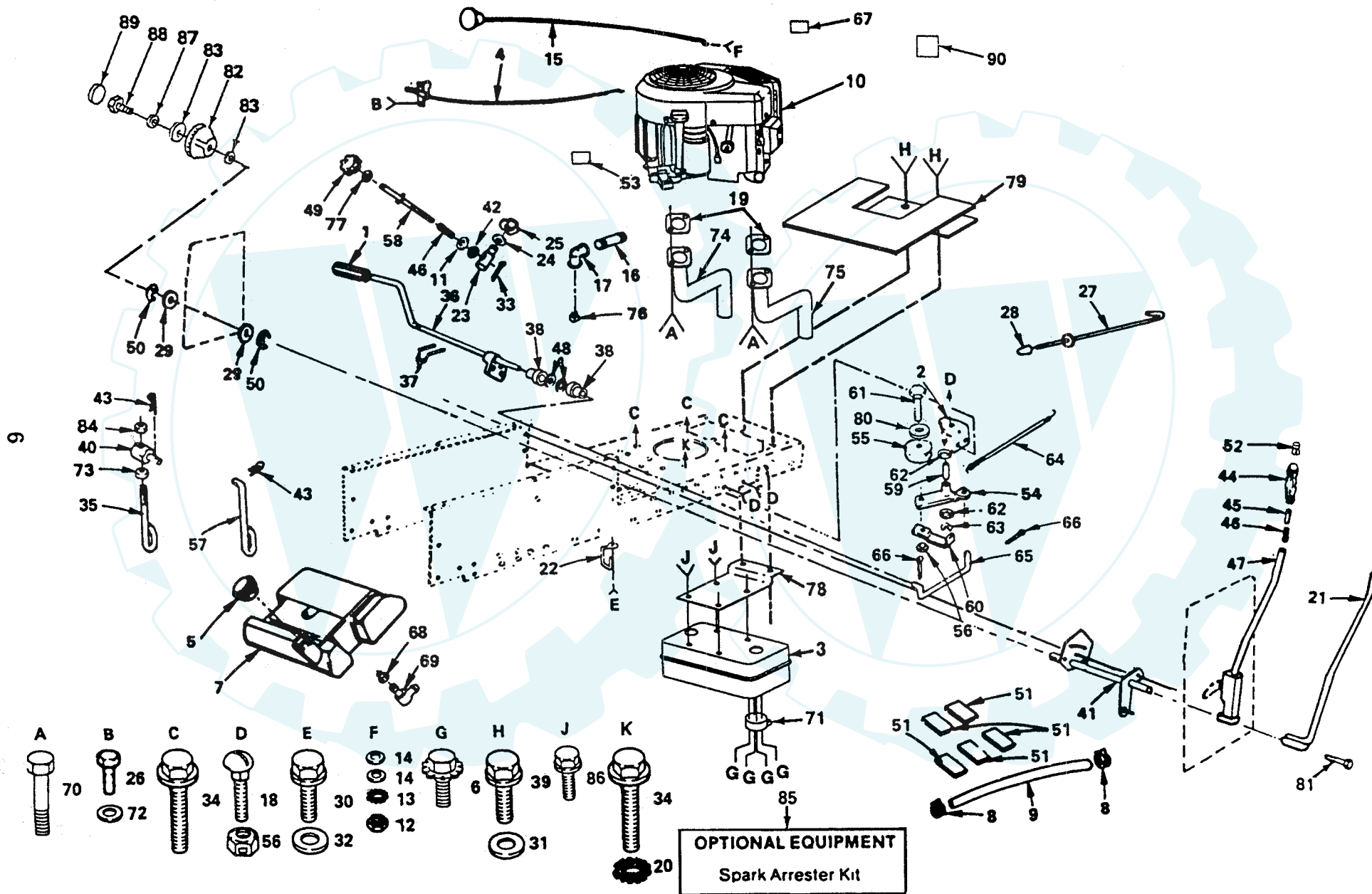
| KEY NO. | PART NO. | DESCRIPTION | KEY NO. | PART NO. | DESCRIPTION |
|---------|-----------|--|---------|-----------|--|
| 2 | 532124487 | Decal-Side Panel | 58 | 532121236 | Spacer |
| 3 | 532125009 | Panel-Side, L.H. | 59 | 874760424 | Bolt, Hex 1/4-20 x 1-1/2 |
| 4 | 532124772 | Dash, Plate | 60 | 532123481 | Bolt-Shoulder 1/4-20 |
| 5 | 532124182 | Dashboard | 61 | 532123650 | Stud 1/4 Turn |
| 6 | 532104805 | Dash, Assembly-Lower | 62 | 873680400 | Nut-Crownlock 1/4-20 |
| 7 | 532001260 | Spacer | 63 | 532123740 | Spring, Compression |
| 8 | 532110853 | Bracket, Assembly R.H. | 65 | 817490608 | Screw-Hex Washer Hd. Thd. Forming 3/8-16 x 1/2 Type TT |
| 9 | 532106965 | Plate-Support, Battery | 66 | 532124294 | Pan-Seat |
| 10 | 532124130 | Support, Assembly-Dash | 68 | 532105838 | Ratainer 1/4 Turn |
| 11 | 532123825 | Console, Shifter | 69 | 532105839 | Receptacle 1/4 Turn |
| 12 | 532124480 | Decal-Hood, L.H. | 72 | 817431008 | Screw-Hex Head Self Tapping #10-16 x 1/2 Type B |
| 13 | 532106784 | Strap, Assembly-Hinge, Rear | 73 | 874760532 | * Bolt-Hex 5/16 -18 x 2 Gr 2 |
| 14 | 532104618 | Strap, Assembly-Hinge, Front | 74 | 873510500 | Nut-Keps 5/16-18 |
| 15 | 532125007 | Hood | 75 | 532105509 | Bracket Assembly-Fender |
| 16 | 532124250 | Lens, L.H. | 76 | 874180512 | Screw, Mach. 5/16-18 x 3/4 |
| 17 | 532124251 | Lens, R.H. | 78 | 532121249 | Spacer |
| 18 | 532124483 | Decal, Grill | 79 | 532120822 | Decal-OPEI-Caution |
| 19 | 532124573 | Grill, Assembly | 81 | 532121794 | Cover-Access |
| 20 | 532124574 | Support Assembly, Grill | 82 | 817190516 | Screw, Hex 5/16-18 x 1 |
| 21 | 819111610 | Washer 11/32 x 1 x 10 Ga. | 83 | 532124427 | Spacer |
| 22 | 532124481 | Decal-Hood, R.H. | 84 | 872140606 | * Bolt-Carriage 3/8-16 x 3/4 |
| 23 | 532110852 | Bracket, Assembly L.H. | 85 | 532108256 | Pad-Footrest |
| 24 | 532125008 | Panel-Side, R.H. | 86 | 874191008 | Screw-Cross Recess Pan Hd. Machine #10-24 x 1/2 |
| 25 | 532110828 | Panel-Dash, R.H. | 87 | 810071000 | * Washer, Lock No. 10 |
| 26 | 532125036 | Footrest-R.H. | 88 | 532125004 | Nut-Weld |
| 27 | 532121277 | Chassis | 89 | 532109808 | Latch-Hood |
| 28 | 532123785 | Drawbar | 90 | 874981020 | Screw-Machine Cross Recess #10-24 x 1-1/4 |
| 29 | 819060718 | Washer 3/16 x 7/16 x 18 Ga. | 91 | 532007206 | Spacer-Split #10 x 3/4 |
| 30 | 532121248 | Bushing, Snap | 92 | 873731000 | Nut-Keps #10-24 |
| 31 | 532124118 | Panel-Dash, L.H. | 93 | 532105511 | Strap Assembly-Fender |
| 32 | 532124722 | Footrest-L.H. | 94 | 532126656 | Bracket-Pivot, Seat |
| 33 | 532124428 | Slide Set, Seat | 95 | 532105529 | Bolt-Shoulder 5/16-18 |
| 34 | 873680500 | Locknut 5/16- 18 | 96 | 532105531 | Nut-Push |
| 36 | 532124771 | Saddle | 97 | 819070818 | Washer 7/32 x 1/2 x 18 Ga . |
| 37 | 811030400 | Washer, Lock 1/4 Int./Ext. | 98 | 532109199 | Decal-V-Belt Drive Schematic Tractor |
| 38 | 810100800 | Washer, Lock #8 | 99 | 532126493 | Baffle-Rear Upper |
| 39 | 532124720 | Bushing-Steering | 100 | 532108105 | Baffle-Rear Lower |
| 40 | 532106202 | Reflector-Tailight | 101 | 532110357 | Washer, Snap Cap |
| 41 | 532124181 | Spring-Compression | 103 | 819131614 | Washer 13/32 x 1 x 14 Ga. |
| 42 | 532124484 | Decal-Fender | 104 | 532124934 | Grommet |
| 43 | 532124187 | Seat | 107 | 532110436 | Grommet, Split |
| 44 | 872170410 | Bolt,, Carr. 1/4-20 x 1-1/4 | 108 | 532109821 | Decal, Operating Instructions |
| 45 | 532124857 | Fender | 109 | 811050400 | Washer, Lock 1/4 Int. Ext. |
| 46 | 532101892 | Decal-Clutch/Brake | 110 | 873490400 | Wingnut 1/4-20 |
| 47 | 532005479 | Plug-Dash | 111 | 811050600 | Washer, Lock 3/8 Ext. Tooth |
| 48 | 532110356 | Cap, Snap | 112 | 819091216 | Washer 9/32 x 3/4 x 16 Ga |
| 49 | 873510400 | * Nut, Hex 1/4-20 | 113 | 873220400 | Nut-Hex 1/4-20 |
| 50 | 874760612 | * Bolt-Hex 3/8-16 x 3/4 | 115 | 819111116 | Washer 11/32 x 11/16 x 16 Ga. |
| 51 | 819131312 | Washer 13/32 x 13/16 x 12 Ga. | 117 | 532124996 | Clip, Insulated |
| 52 | 873680600 | Nut-Crownlock 3/8-16 | 119 | 532121251 | Foam Strip |
| 53 | 874760616 | * Bolt-Hex 3/8-16 x 1 | 121 | 532121249 | Spacer Split 0.28 x 0.88 |
| 54 | 874640806 | * Screw #8-3/8 | 123 | 532123976 | Locknut, Hex, Large Flanged 1/4-20 UNC |
| 55 | 532124763 | Pointer, Height Indicator | 124 | 874641008 | Screw, Slotted Pan Head #10-32 x 1/2 |
| 56 | 532120529 | Washer, Nylon | 125 | 873951000 | Nut, Keps #10-32 UNC |
| 57 | 817490612 | Screw-Hex Washer Hd. Thd. Rolling 3/8-16 x 3/4 Type TT | 126 | 532004171 | Clip, insulated |
| | | | 127 | 532121246 | Bracket, Switch Mount |



REPAIR PARTS

GARDEN TRACTOR

POWER AND MECHANICAL CONTROLS GROUP



REPAIR PARTS

www.ersatzteil-service.de

GARDEN TRACTOR

POWER AND MECHANICAL CONTROLS GROUP

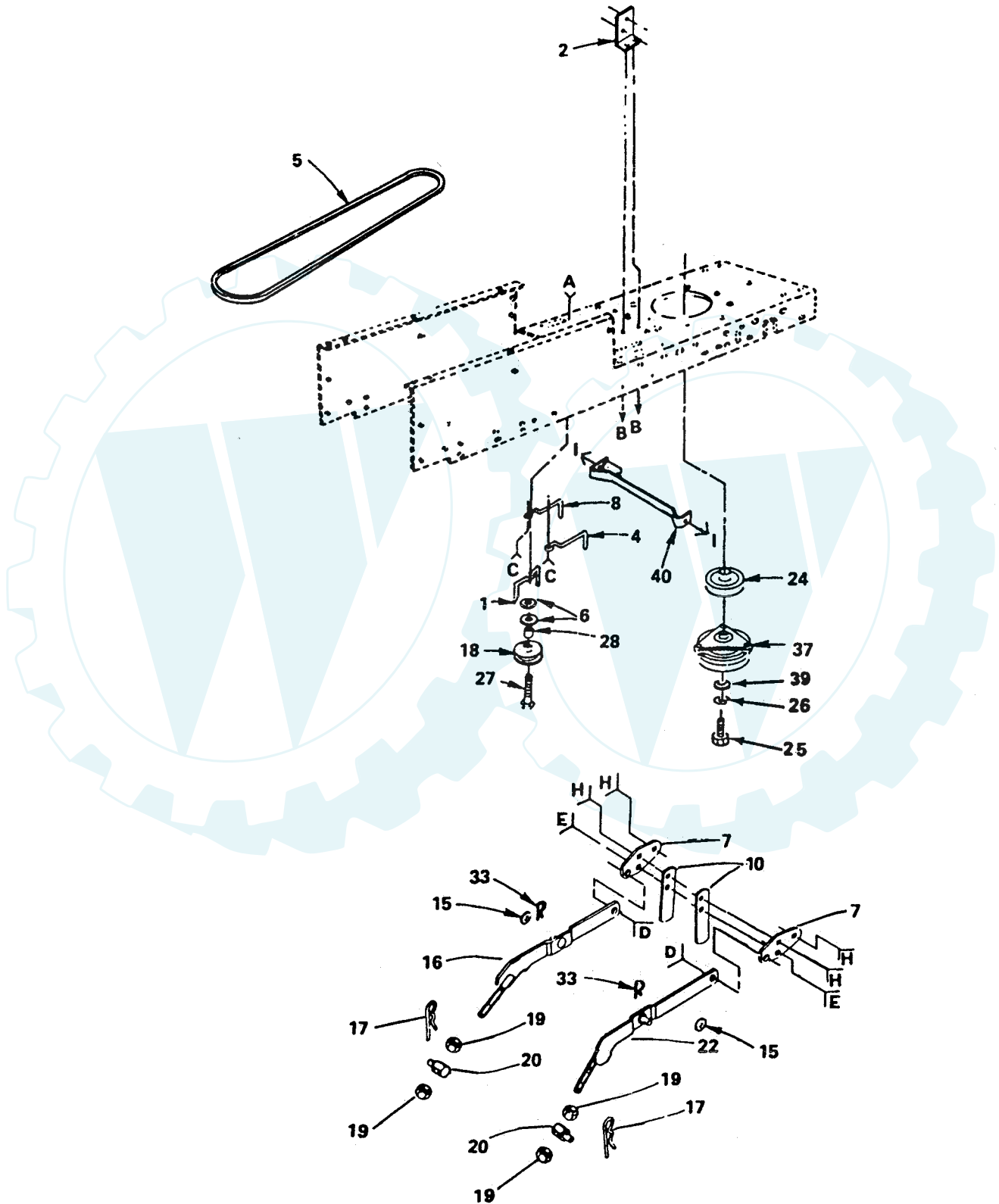
| KEY NO. | PART NO. | DESCRIPTION | KEY NO. | PART NO. | DESCRIPTION |
|---------|-----------|--|---------|-----------|--|
| 1 | 532124872 | Pedal Cover | 45 | 532122364 | Plunger-Lever Lift |
| 2 | 532123102 | Bracket Assembly-Clutch | 46 | 532124874 | Spring |
| 3 | 532122440 | Muffler | 47 | 532121002 | Lever Assembly, Hand Kit (Incl. Key No. 21) |
| 4 | 532122927 | Control, Throttle | 48 | 819211616 | Washer 21/32 x 1 x 16 Ga. |
| 5 | 532124462 | Fuel Cap | 49 | 532121891 | Handle-Adjust, Lift |
| 6 | 817450808 | Screw-Spider Lock | 50 | 812000022 | E-Ring |
| 7 | 532106020 | Tank-Fuel | 51 | 532006431 | Pad-Spacer |
| 8 | 532123487 | Hose Clamp | 52 | 532124526 | Button, Plunger |
| 9 | 532008542 | Fuel Line | 53 | 532125971 | Decal, Air Cleaner |
| 10 | 532122436 | Engine Briggs & Stratton 15 H.P., Model Number 303777 Type No. 0015-02 | 54 | 532123789 | Arm Assembly, Idler |
| 11 | 819131016 | Washer 13/32 x 5/8 x 16 Ga. | 55 | 532123766 | Pulley-Idler |
| 12 | 873610600 | Nut-Hex 3/8-24 | 56 | 873680600 | Locknut 3/8-16 |
| 13 | 811050600 | * Washer, Lock, External Tooth 3/8 | 57 | 532110029 | Link-Lift |
| 14 | 819131316 | * Washer 13/32 x 13/16 x 16 Ga. | 58 | 532110729 | Rod-Adjust, Lift |
| 15 | 532122926 | Control-Choke | 59 | 532105706 | Bearing |
| 16 | 813280336 | Std. Pipe Nipple | 60 | 532123205 | Retainer-Belt |
| 17 | 813200300 | 90° Elbow 3/8 NPT | 61 | 74760624 | * Bolt-Hex 3/8-16 x 1-1/2 |
| 18 | 872140606 | Bolt-Carr. 3/8-16 x 3/4 | 62 | 532110812 | Washer-Hardened |
| 19 | --- | Gasket, Muffler (see engine pages for replacement number) | 63 | 812000039 | Ring-Klip |
| 20 | 811050600 | Washer, Lock 3/4 | 64 | 532105709 | Spring-Return, Clutch |
| 21 | 532121006 | Rod Assembly-Lever | 65 | 532105710 | Link-Clutch |
| 22 | 532123788 | Retainer-Belt, Chassis, L.H. | 66 | 876020412 | Pin-Cotter 1/8 x 3/4 |
| 23 | 532110810 | Trunnion-Stop, Depth | 67 | 532123161 | Decal, Engine instruction |
| 24 | 819151216 | Washer 15/32 x 3/4 x 16 Ga. | 68 | 532003645 | Bushing |
| 25 | 812000037 | Klip Ring | 69 | 532124951 | Stem-Tank, Fuel |
| 26 | 817080408 | Screw-Hex Washer Hd. Thd. Cutting 1/4-20 x 1/2 | 70 | --- | Bolt, Metric (see engine pages for replacement number) |
| 27 | 532125637 | Rod-Brake, Park | 71 | 532101326 | Deflector, Muffler |
| 28 | 532071673 | Plunger Cap | 72 | 532110457 | Washer 9/32 x 5/8 x 16 Ga. |
| 29 | 819292016 | Washer 29/32 x 1-1/4 x 16 Ga. | 73 | 873360700 | Nut Hex Jam 7/16-20 |
| 30 | 817490612 | Screw-Hex Washer Thd. Rolling 3/8-16 x 3/4 | 74 | 532122434 | Tube Assembly-Exhaust-L.H. |
| 31 | 819131614 | * Washer 13/32 x 1 x 14 Ga. | 75 | 532122435 | Tube Assembly-Exhaust-R.H. |
| 32 | 819131316 | Washer 13/32 x 1-3/16 x 16 Ga. | 76 | 532091084 | Oil Drain |
| 33 | 876020308 | Cotter Pin 3/32 x 1/2 | 77 | 873350600 | Nut-Hex Jam 3/8-16 |
| 34 | 817490624 | Screw-Hex Washer Hd. Thd. Rolling 3/8-16 x 1-1/2 Type TT | 78 | 532122439 | Muffler, Bracket—Mounting |
| 35 | 532110448 | Lift Link-Adjustable | 79 | 532122981 | Heat Shield |
| 36 | 532122424 | Shaft Pedal Foot | 80 | 819131316 | Washer 13/32 x 13/16 x 16 Ga. |
| 37 | 532001572 | Roll Pin 3/16 x 1 | 81 | 874780624 | Bolt, Hex 3/8-16 x 1-1/2 |
| 38 | 532120183 | Bearing, Nylon | 82 | 532123934 | Scale, Height Indicator |
| 39 | 817490512 | Screw 5/16-18 x 3/4 | 83 | 819112410 | Washer 11/32 x 1-1/2 x 10 Ga. |
| 40 | 532110447 | Trunnion, Lift | 84 | 873710700 | Nut, Crownlock 7/16-20 |
| 41 | 532124516 | Shaft Assembly-Lift | 85 | 532124803 | Spark Arrestor Kit |
| 42 | 532110807 | * Nut-hex Special | 86 | 817490408 | Screw, Hex Washer Hd. Thread Cutting 1/4-20 x 1/2 |
| 43 | 532124670 | Retainer Spring | 87 | 810040500 | Washer, Lock |
| 44 | 532109413 | Grip-Handle | 88 | 874780516 | Bolt, Hex 5/16-18 x 1 |
| | | | 89 | 532123935 | Plug, Hole |
| | | | 90 | 532123161 | Decal, Engine Instruction |

Der Ersatzteilspezialist im Internet.

REPAIR PARTS

GARDEN TRACTOR

DRIVE GROUP



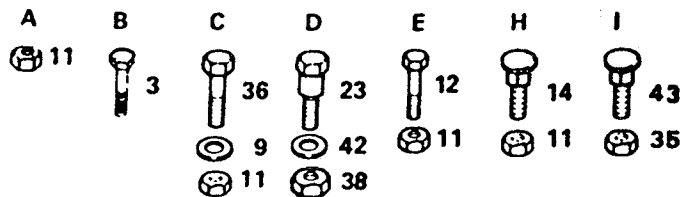
REPAIR PARTS

GARDEN TRACTOR

DRIVE GROUP

| KEY NO. | PART NO. | DESCRIPTION |
|---------|-----------|--------------------------------|
| 1 | 532109070 | Retainer Belt |
| 2 | 532108236 | Bracket-Switch |
| 3 | 817021008 | Screw-Tap. Hex Hd. 10-24 x 1/2 |
| 4 | 532105730 | Keeper-Belt, Engine |
| 5 | 532123796 | V-Belt, Drive |
| 6 | 819131316 | Washer 13/32 x 13/16 x 16 Ga. |
| 7 | 532105864 | Bracket-Suspension |
| 8 | 532121218 | Keeper, Belt Engine |
| 9 | 819131312 | Washer 13/32 x 13/16 x 12 Ga. |
| 10 | 532121252 | Upstop, Mower |
| 11 | 873680600 | Nut-Crownlock 3/8-16 |
| 12 | 872140608 | Bolt, Carr. 3/8-16 x 1 |
| 14 | 872140606 | Bolt, Carr. 3/8-16 x 3/4 |
| 15 | 819171516 | Washer 17/32 x 15/16 x 16 Ga. |
| 16 | 532121599 | Arm Assembly-Suspension-L.H. |
| 17 | 532009135 | Retainer-Spring |
| 18 | 532123674 | Idler-Flat |
| 19 | 873220800 | * Nut-Hex 1/2-13 |
| 20 | 532106308 | Trunnion-Lift Lower |
| 22 | 532121598 | Arm Assembly-Suspension-R.H. |
| 23 | 532105848 | Bolt-Shoulder 3/8-16 |
| 24 | 532123795 | Pulley-Engine |
| 25 | 874610764 | Bolt-Hex 7/16-20 x 4 |
| 26 | 810040700 | * Washer-Lock 7/16 |
| 27 | 874760644 | * Bolt-Hex 3/8-16 x 2-3/4 |
| 28 | 532004470 | Spacer |
| 33 | 532004921 | Spring-Retainer |
| 35 | 873680500 | Nut, Lock 5/16-18 |
| 36 | 874760616 | * Bolt-Hex 3/8-16 x 1 |
| 37 | 532108218 | Clutch-Electric |
| 38 | 873980600 | Nut, Centerlock Flange 3/8-16 |
| 39 | 532126197 | Washer 1-1/2 x 15/32 x 1/4 |
| 40 | 532109169 | Locater-Clutch |
| 42 | 532110739 | Spring Washer |
| 43 | 872140506 | Bolt, Carr. 5/16-18 x 3/4 |

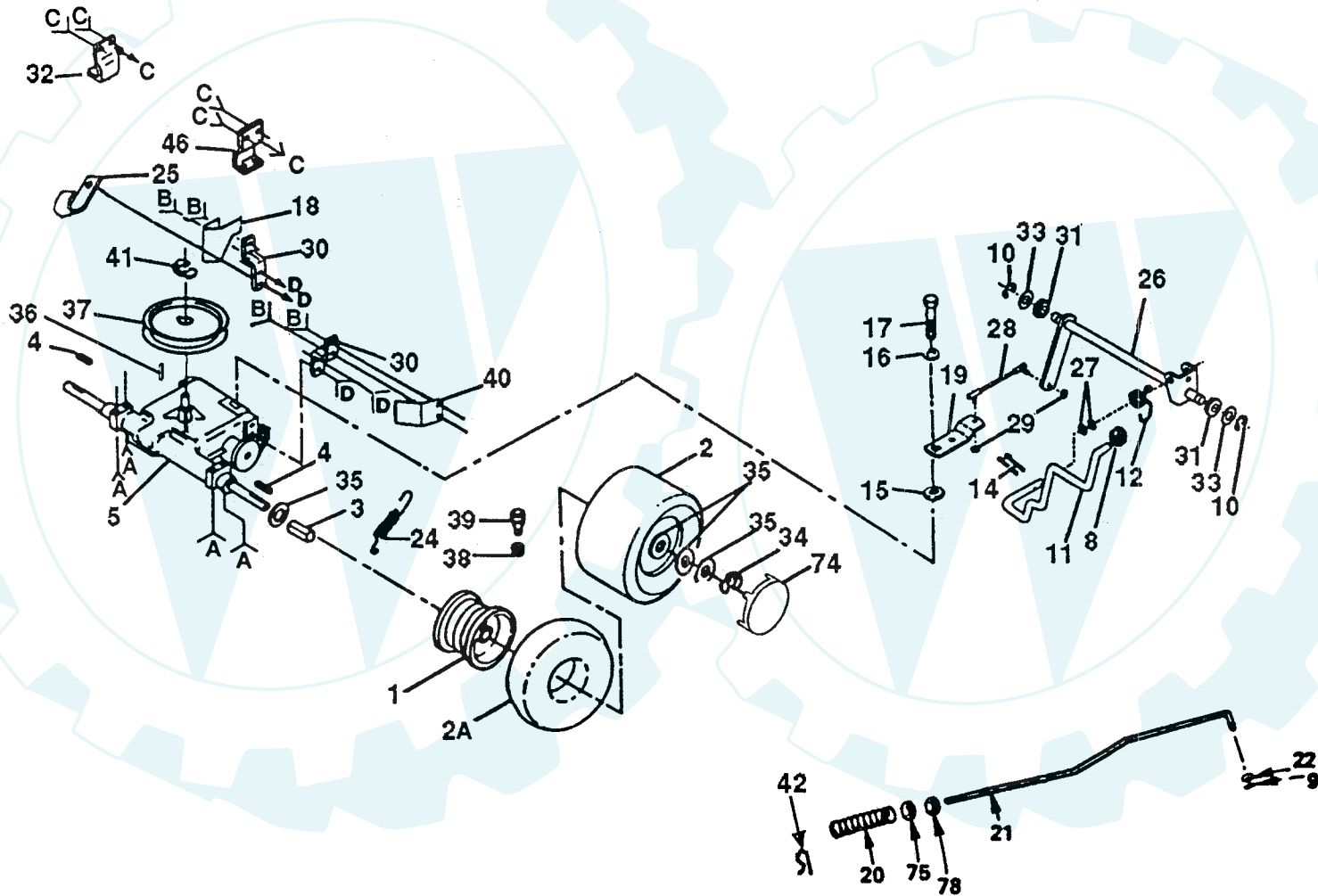
* STANDARD HARDWARE—PURCHASE LOCALLY



REPAIR PARTS

GARDEN TRACTOR

TRANSAXLE AND REAR WHEEL

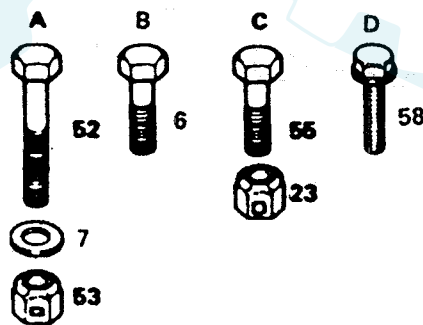


GARDEN TRACTOR

TRANSAXLE AND REAR WHEEL

| KEY NO. | PART NO. | DESCRIPTION | KEY NO. | PART NO. | DESCRIPTION |
|---------|-----------|---|---------|-----------|---|
| 1 | 532124074 | Rim Assembly 8" Rear | 26 | 532123772 | Shaft, Arm Shifter |
| 2 | 532124106 | Tire | 27 | 819171216 | Washer 17/32 x 3/4 x 16 Ga. |
| 2A | 532007154 | Tube-Tire (not furnished with Tractor) | 28 | 532123793 | Rod, Tie |
| 3 | 532108097 | Spacer-Split | 29 | 873530400 | Nut 1/4-28 |
| 4 | 532124762 | Key-Square 1/4 x 2 | 30 | 532123787 | Strap-Torque |
| 5 | 532123797 | Transaxle 6 speed, Peerless Model No. 143.820-016 | 31 | 532071208 | Bushing, Steering Rod |
| 6 | 817490612 | Screw, Hex Washer Hd. Thread Rolling 3/8-16 x 3/4 | 32 | 532123780 | Bracket-Transaxle L.H. |
| 7 | 819111214 | Washer 11/32 x 3/4 x 14 Ga. | 33 | 819212016 | Washer 21/32 x 1-1/4 x 16 Ga. |
| 8 | 532106933 | Knob Control | 34 | 812000053 | E-Ring |
| 9 | 876020412 | Cotter Pin 1/8 x 3/4 | 35 | 532123800 | Washer 1-1/32 x 1-5/8 x 16 Ga. |
| 10 | 812000008 | Ring, Klip | 36 | 532125096 | Woodruff Key 3/16 x 3/4 |
| 11 | 532123781 | Rod-Shifter | 37 | 532121327 | Pulley, Transaxle |
| 12 | 532123782 | Spring-Torsion | 38 | 532059192 | Cap, Valve |
| 14 | 876020416 | * Pin, Cotter 1/8 x 1 | 39 | 532065139 | Stem-Valve |
| 15 | 532105701 | Washer-Shift Plate | 40 | 532123792 | Keeper, Belt Transaxle R.H. |
| 16 | 819091216 | Washer 9/32 x 3/4 x 16 Ga. | 41 | 812000004 | Ring, Retainer |
| 17 | 871040412 | Bolt-Hex 1/4-28 x 3/4, Gr. 8 | 42 | 532124788 | Clip, Hairpin |
| 18 | 532123791 | Keeper, Belt Transaxle L.H. | 46 | 532123776 | Bracket, Transaxle R.H. |
| 19 | 532123794 | Arm, Shift | 52 | 874780544 | * Bolt, Hex 5/16-18 x 2-3/4 |
| 20 | 532126909 | Spring-Rod, Brake | 53 | 873680500 | Locknut 5/16-18 |
| 21 | 532123786 | Rod-Brake | 55 | 874760612 | * Bolt, Hex 3/8-16 x 3/4 |
| 22 | 819131316 | * Washer 13/32 x 13/16 x 16 Ga. | 58 | 817490512 | Screw Hex Washer hd. Thd. Form. Type TT 5/16-18 UNC x 3/4 |
| 23 | 873680600 | * Locknut 3/8-16 | 74 | 532124579 | Cover, Wheel |
| 24 | 532110422 | Spring, Brake Return | 75 | 873800600 | Locknut, Hex Washer Insert 3/8-16 |
| 25 | 532124996 | Clip | 78 | 873350600 | Nut-Hex Jam 3/8-16 |

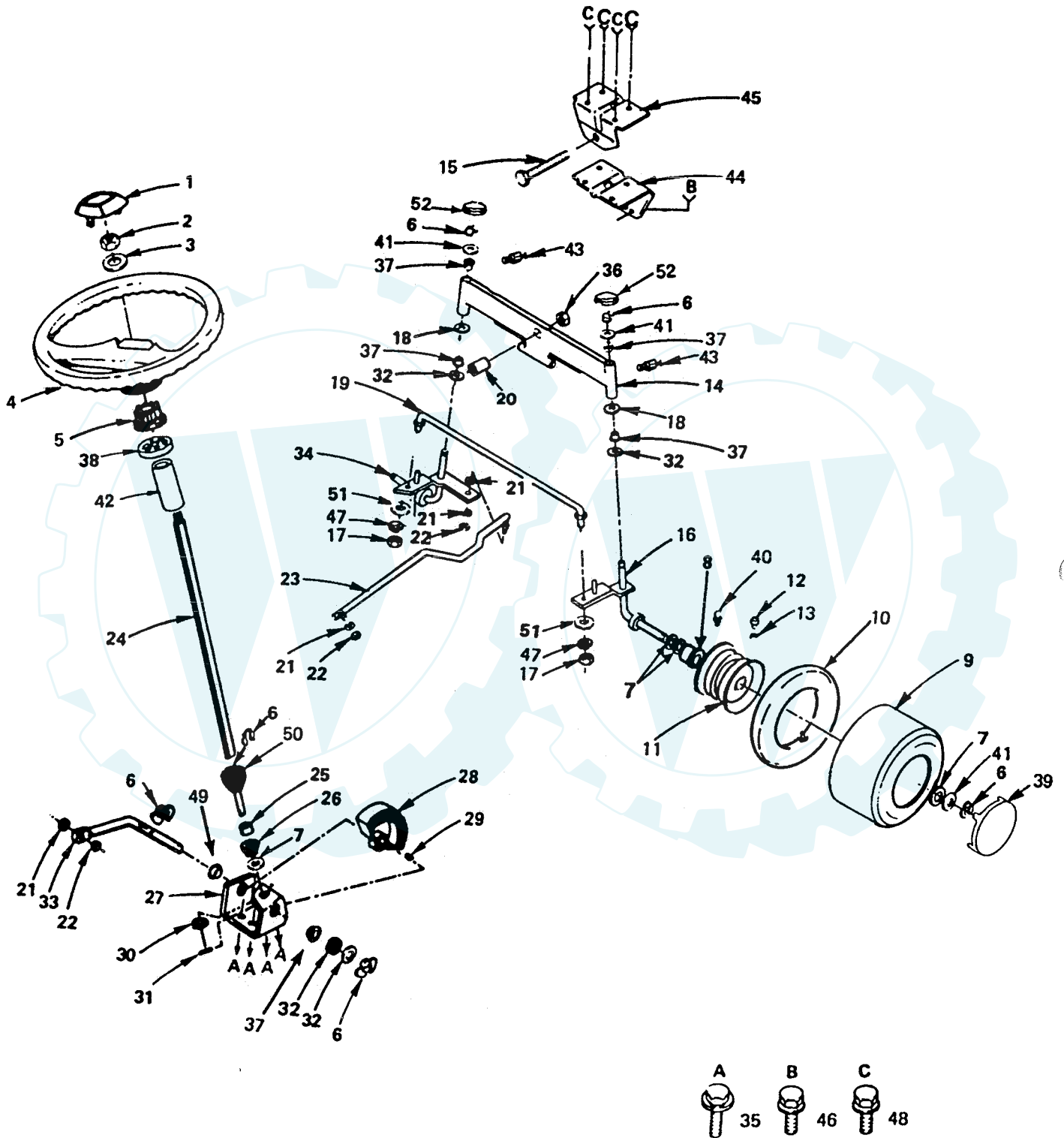
*STANDARD HARDWARE—PURCHASE LOCALLY



REPAIR PARTS

GARDEN TRACTOR

STEERING, FRONT AXLE AND WHEELS



GARDEN TRACTOR

STEERING, FRONT AXLE AND WHEELS

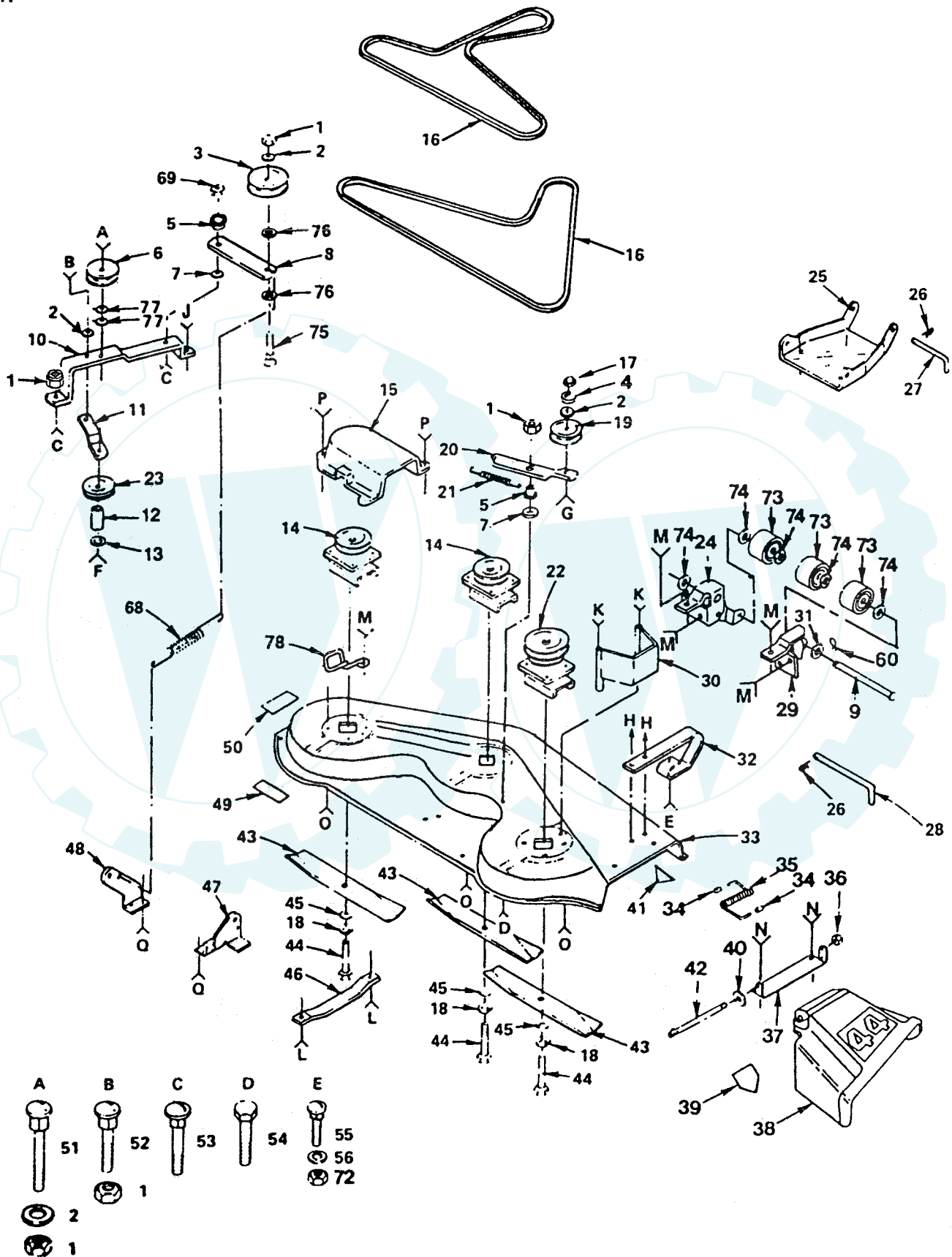
| KEY NO. | PART NO. | DESCRIPTION |
|---------|-----------|--|
| 1 | 532124416 | Insert-Steering Wheel |
| 2 | 873940800 | * Hex Toplock Jam 1/2-20 |
| 3 | 532100712 | Washer 17/32 x 2-1/4 x .160 |
| 4 | 532124415 | Steering Wheel |
| 5 | 532100711 | Adapter-Wheel, Steering |
| 6 | 812000029 | Klip Ring |
| 7 | 532121749 | Washer 25/32 x 1-1/4 x 16 Ga. |
| 8 | 532009040 | Bearings Wheel, Front |
| 9 | 532106222 | Tire-Rib Tread (Tubeless) |
| 10 | 532059904 | Tube-Tire (not furnished with Tractor) |
| 11 | 532106732 | Rim Assembly 6" Front (Inc. 2 each Key No. 8) |
| 12 | 532065139 | Stem-Valve |
| 13 | 532059192 | Cap-Valve |
| 14 | 532108075 | Axle Assembly-Front |
| 15 | 874761060 | Bolt-Hex 5/8-11 x 3-3/4 |
| 16 | 532105654 | Spindle Assembly-R.H. |
| 17 | 873810500 | Nut-Hex 5/16-24 |
| 18 | 819272016 | Washer 27/32 x 1-1/4 x 16 Ga. |
| 19 | 532121334 | Tie Rod |
| 20 | 532110438 | Bearing |
| 21 | 810040600 | * Lockwasher 3/8 |
| 22 | 873610600 | * Nut-Hex 3/8-24 |
| 23 | 532105727 | Drag Link |
| 24 | 532109557 | Shaft Assembly-Steering |
| 25 | 532074580 | Spacer |
| 26 | 532071208 | Bushing-Steering Rod |
| 27 | 532109432 | Bracket Assembly-Steering |
| 28 | 532108684 | Gear-Sector |
| 29 | 532106126 | Woodruff Key 3/16 x 3/4 |
| 30 | 532101930 | Washer, hardened |
| 31 | 532002882 | Drive Pin 3/16 x 1 |
| 32 | 532124931 | Bearing, Thrust |
| 33 | 532108683 | Rod-Steering |
| 34 | 532105656 | Spindle Assembly-L.H. |
| 35 | 817490612 | Screw-Hex Washer Hd. Thread Forming Type TT 3/8-16 x 3/4 |
| 36 | 873901000 | Nut-Lock Flange, 5/8-11 |
| 37 | 532003366 | Bearing |
| 38 | 532106943 | Spacer, Shaft Steering |
| 39 | 532124577 | Cover, Wheel 6" |
| 40 | 532000278 | Grease Fitting |
| 41 | 532121748 | Washer 25/32 x 1-5/8 x 16 Ga. |
| 42 | 532106945 | Tube, Shaft Steering |
| 43 | 532124836 | Fitting, Grease |
| 44 | 532105664 | Support-Saddle, Front |
| 45 | 532105663 | Support-Saddle, Rear |
| 46 | 817490508 | Screw-Hex Washer Thd. Rolling 5/16-18 x 1/2 |
| 47 | 810040500 | * Lockwasher 5/16 |
| 48 | 532122819 | Screw-Special |
| 49 | 532109816 | Nylinder, Snap In |
| 50 | 532108685 | Gear-Pinion |
| 51 | 819111216 | Washer 11/32 x 3/4 x 16 Ga. |
| 52 | 532121232 | Spindle Cap |

*STANDARD HARDWARE —PURCHASE LOCALLY

REPAIR PARTS

GARDEN TRACTOR

MOWER



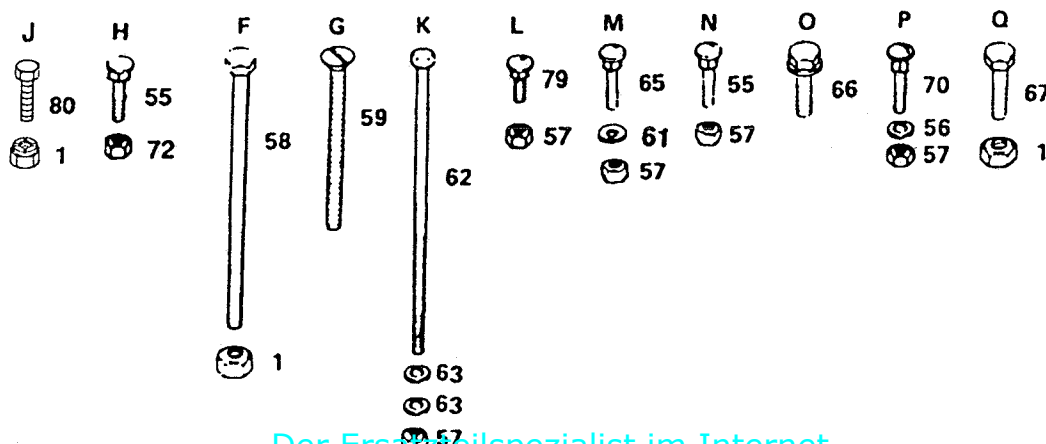
REPAIR PARTS

GARDEN TRACTOR

MOWER

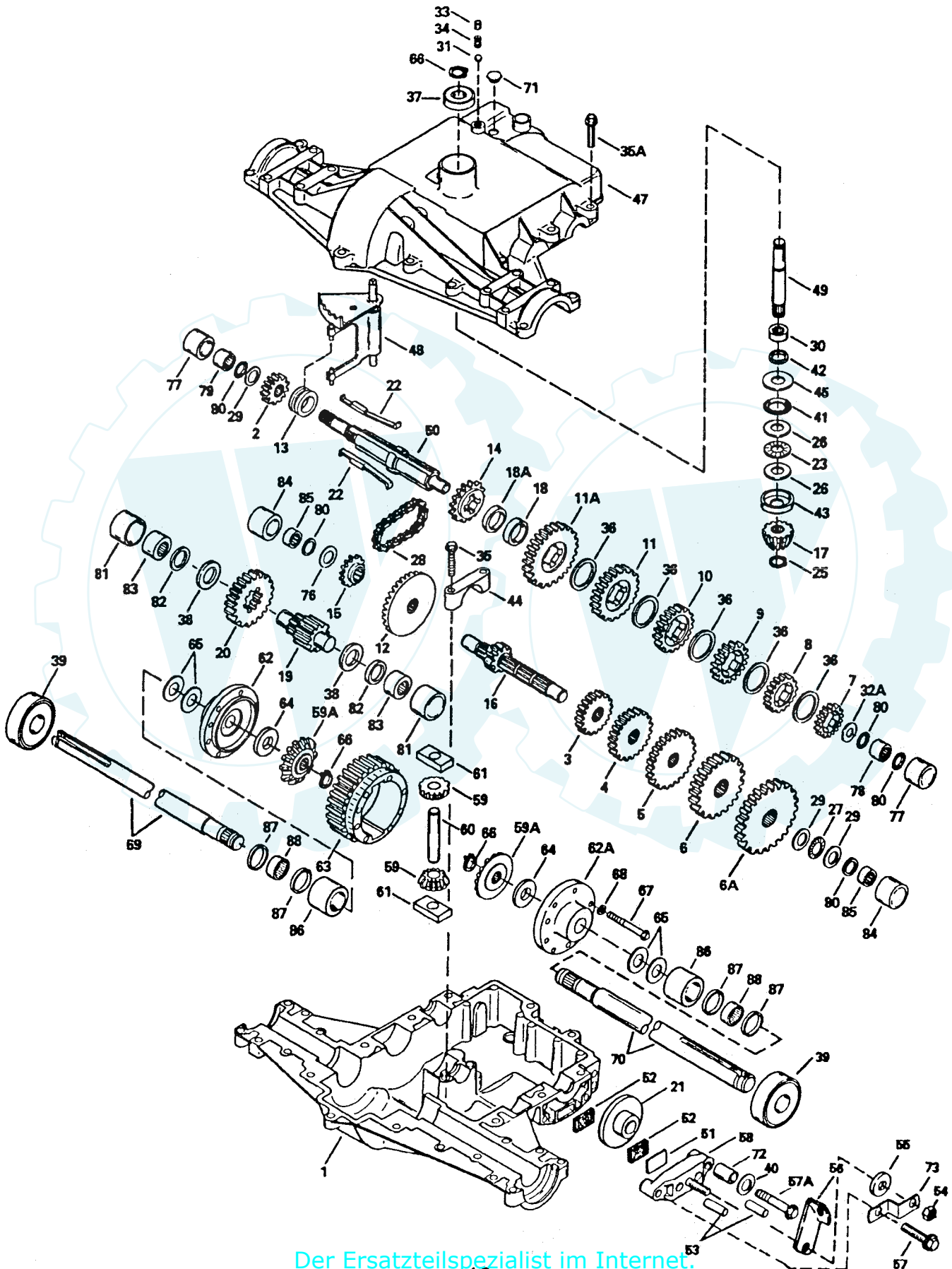
| KEY NO. | PART NO. | DESCRIPTION | KEY NO. | PART NO. | DESCRIPTION |
|---------|-----------|--------------------------------|---------|-----------|--|
| 1 | 873680600 | Nut-Lock 3/8-16 | 42 | 532106735 | Rod-Hinge |
| 2 | 819131614 | Washer 13/32 x 1 x 14 Ga. | 43 | 532106635 | Blade, Mower |
| 3 | 532121316 | Pulley Idler | 44 | 874610624 | Bolt, Hex 3/8- 24 x 1-1/2 Gr. 5 |
| 4 | 810040600 | Washer, Lock 3/8 | 45 | 819132012 | Washer 13/32 x 1-1/4 x 12 Ga. |
| 5 | 532106902 | Spacer | 46 | 532125074 | Runner L.H |
| 6 | 532124858 | Pulley Idler | 47 | 532123807 | Bracket-Suspension Rear- R.H. |
| 7 | 532106513 | Washer-Wear | 48 | 532123808 | Bracket-Suspension Rear- L.H. |
| 8 | 532121425 | Arm-Idler | 49 | 532108592 | Decal -V-Belt Schematic |
| 9 | 532109776 | Pin-Pivot | 50 | 532105185 | Instruction Caution Decal |
| 10 | 532106523 | Bar-Support-Idler | 51 | 872140614 | Bolt-Carriage 3/8-16 x 1-3/4 |
| 11 | 532106522 | Brace Idler-Deck | 52 | 872140608 | Bolt-Carriage 3/8-16 x 1 |
| 12 | 532121236 | Spacer | 53 | 872140612 | Bolt-Carriage 3/8-16 x 1-1/2 |
| 13 | 819131316 | Washer, 13/32 x 13/16 x 16 Ga. | 54 | 874760620 | Bolt, Hex 3/8-16 x 1-1/4 |
| 14 | 532121658 | Mandrel-Secondary | 55 | 872140506 | Bolt-Carriage 5/16-18 x 3/4 |
| 15 | 532106214 | Guard | 56 | 819111116 | Washer 11/32 x 11/16 x 16 Ga. |
| 16 | 532106085 | V-Belt | 57 | 873680500 | Locknut 5/16-18 |
| 17 | 873220600 | Nut, Hex 3/8-16 | 58 | 874760648 | Bolt, Hex 3/8 16 x 3 |
| 18 | 810030600 | Washer Lock 3/8 | 59 | 874110632 | Screw-Flat Head 3/8-16 x 2 |
| 19 | 532102932 | Idler Flat | 60 | 876020412 | Pin, Cotter |
| 20 | 532106526 | Arm-Idler-Deck | 61 | 819111216 | Washer 11/32 x 3/4 x 16 Ga |
| 21 | 532124885 | Spring Extension | 62 | 874760580 | Bolt-Hex 5/16 18 x 5 |
| 22 | 532121705 | Mandrel-Primary | 63 | 819111216 | Washer 11/32 x 3/4 x 16 Ga. |
| 23 | 532102403 | Pulley, Idler | 65 | 872140506 | Bolt-Carriage 5/16-18 x 5/8 UNC x 3/4 |
| 24 | 532109599 | Bracket Lift- L.H. | 66 | 817490612 | Screw-Hex Washer Thread Rolling 3/8-16 x 3/4 |
| 25 | 532105662 | Link Parallel | 67 | 872140606 | Bolt- Carriage 3/8-16 x 3/4 |
| 26 | 532004921 | Retainer-Spring | 68 | 532102727 | Spring Extension |
| 27 | 532105744 | Pin, Front Hinge | 69 | 873930600 | Nut-Centerlock 3/8-16 |
| 28 | 532109835 | Pin, Rear Hinge | 70 | 872110506 | Bolt-Carriage 5/16-18 x 3/4 |
| 29 | 532109600 | Bracket Lift-R.H. | 72 | 532124949 | Locknut 5/16-18 |
| 30 | 532108119 | Guard-Belt-R.H. | 73 | 532109729 | Roller-Nose |
| 31 | 819151616 | Washer 15/32 x 1 x 16 Ga. | 74 | 819151610 | Washer 15/32 x 1 x 10 Ga. |
| 32 | 532124950 | Runner, R.H. | 75 | 872140620 | Bolt-Carriage 3/8-16 x 2-1/2 |
| 33 | 532121423 | Housing-Mower | 76 | 819131210 | Washer 13/32 x 3/4 x 10 Ga. |
| 34 | 532105304 | Cap Sleeve | 77 | 819131410 | Washer 13/32 x 7/8 x 10 Ga. |
| 35 | 532106734 | Spring | 78 | 532121352 | Keeper-L.H. Mandrel |
| 36 | 532110452 | Nut-Push | 79 | 872110505 | Bolt-Carriage 5/16-18 x 5/8 |
| 37 | 532109743 | Bracket-Deflector | — | 532121826 | Mower Deck, Complete |
| 38 | 532109785 | Guard-Discharge | 80 | 874760616 | Bolt, Fin Hex 3/8 - 16 x 1 |
| 39 | 532121349 | Decal Warning | | | |
| 40 | 819111016 | Washer 11/32 x 5/8 x 16 Ga | | | |
| 41 | — — — | Decal, OPEL (not serviced) | | | |

* STANDARD HARDWARE—PURCHASE LOCALLY



REPAIR PARTS

GARDEN TRACTOR
TRANSAXLE - PEERLESS - MODEL NUMBER 820-016



REPAIR PARTS

GARDEN TRACTOR
TRANSAXLE - PEERLESS - MODEL NUMBER 820-016

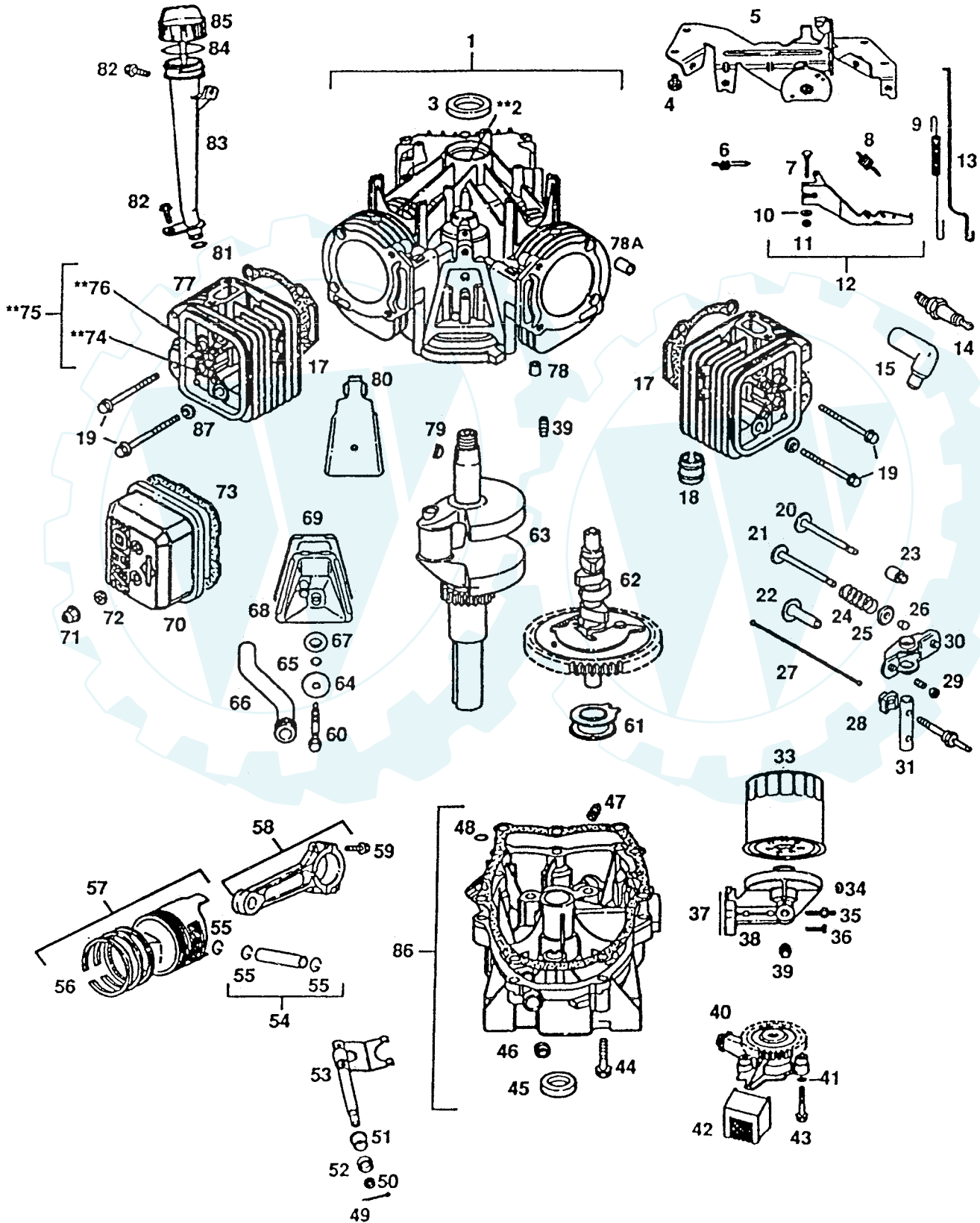
| KEY NO. | PART NO. | DESCRIPTION | KEY NO. | PART NO. | DESCRIPTION |
|---------|----------|---|---------|----------|---|
| 1 | 770088 | Case, Transaxle | 44 | 786131 | Cap, Bearing |
| 2 | 778253 | Gear, Spur (15 teeth) | 45 | 780165 | Washer, Flat |
| 3 | 778211 | Gear, Spur (12 teeth) | 47 | 772098 | Cover, Transaxle |
| 4 | 778240 | Gear, Spur (18 teeth) | 48 | 784342 | Rod & Fork Assy., Shift |
| 5 | 778201 | Gear, Spur (25 teeth) | 49 | 776274 | Shaft, Input |
| 6 | 778202 | Gear, Spur (28 teeth) | 50 | 776313 | Shaft, Brake (4 Keyed) |
| 6A | 778208 | Gear, Spur (31 teeth) | 51 | 790007 | Plate, Brake pad |
| 7 | 778209 | Gear, Spur (19 teeth) | 52 | 790006 | Pad, Brake |
| 8 | 778203A | Gear, Spur (22 teeth) | 53 | 786026 | Pin, Dowel |
| 9 | 778204A | Gear, Spur (25 teeth) | 54 | 792075 | Locknut, 5/16-24 |
| 10 | 778239A | Gear, Spur (32 teeth) | 55 | 792076 | Washer, Flat |
| 11 | 778207A | Gear, Spur (37 teeth) | 56 | 790047 | Lever, Brake |
| 11A | 778216A | Gear, Spur (41 teeth) | 57 | 792073 | Screw, Flanged hex hd. thread-forming, 1/4-20 x 1-1/4 |
| 12 | 778246 | Gear, Bevel (33 teeth) | 57A | 792085 | Screw, Flanged hex hd. thread-forming, 1/4-20 x 2-1/4 |
| 13 | 784216 | Collar, Shift | 58 | 790025 | Holder, Brake pad |
| 14 | 786123 | Sprocket (18 teeth) | 59 | 778197 | Pinion, Differential bevel |
| 15 | 786082 | Sprocket (9 teeth) | 59A | 778198 | Gear, Bevel |
| 16 | 776291 | Shaft, Counter (w/9 tooth gear) | 60 | 786019 | Pin, Drive |
| 17 | 778245 | Bevel Pinion, Input (13 teeth) | 61 | 786027 | Block, Drive |
| 18 | 786121 | Spacer, Neutral (.350/.340 thick) | 62 | 774833 | Carrier, Differential (Threaded holes) |
| 18A | 786122 | Spacer, Neutral (.276/.268 thick) | 62A | 774834 | Carrier, Differential |
| 19 | 776275 | Shaft, Output (9 teeth) | 63 | 778248 | Gear, Ring (31 teeth) |
| 20 | 778247 | Gear, Output (35 teeth) | 64 | 780107 | Washer |
| 21 | 790043 | Disk, Brake | 65 | 780042 | Washer, Thrust |
| 22 | 792138 | Key | 66 | 792018 | Ring, Snap |
| 23 | 780084 | Bearing, Thrust | 67 | 792020 | Screw, Hex hd., 1/4-20 x 2-1/4 |
| 25 | 788040 | Ring, Retaining | 68 | 792006 | Lockwasher, 1/4" |
| 26 | 780051 | Washer, Thrust | 69 | 774832 | Axle (12-5/16" long) |
| 27 | 780071 | Bearing, Thrust | 70 | 774831 | Axle (16-3/16" long) |
| 28 | 786081 | Chain, Roller (No. 41 chain, 24 links) | 71 | 792074 | Plug, Hex hd., 9/16-18 thread |
| 29 | 780072 | Washer, Thrust | 72 | 786067 | Spacer |
| 30 | 780155 | Bearing, Needle | 73 | 786086 | Bracket, Brake lever |
| 31 | 792077 | Ball, Steel | 76 | 780153 | Washer |
| 32A | 780139 | Washer, Thrust | 77 | 786144 | Sleeve (stepped) |
| 33 | 792078 | Screw, Set, 3/8-16 x 3/8 | 78 | 780150 | Bearing, Needle |
| 34 | 792079 | Spring | 79 | 780152 | Bearing, Needle (capped) |
| 35 | 792073 | Screw, Flanged hex hd. thread-forming, 1/4-20 x 1-1/4 | 80 | 792001 | "0" Ring |
| 35A | 792129 | Screw, Hex hd. thread forming, 5/16-18 x 1-1/4 | 81 | 786142 | Sleeve (stepped) |
| 36 | 780108 | Washer, Thrust | 82 | 788071 | Ring, Square cut |
| 37 | 780119 | Bearing, Ball | 83 | 780049 | Bearing, Needle (capped) |
| 38 | 780128 | Washer, Thrust | 84 | 786143 | Sleeve (stepped) |
| 39 | 780050 | Bearing, Ball | 85 | 780151 | Bearing, Needle (capped) |
| 40 | 792128 | Washer, Flat | 86 | 786145 | Sleeve (stepped) |
| 41 | 788077 | "0" Ring | 87 | 788070 | Ring, Square cut |
| 42 | 788042 | Seal, Oil | 88 | 780031 | Bearing, Needle |
| 43 | 780166 | Washer, Cupped | | | |

NOTE: All component dimensions given in U.S. inches.
1 inch = 25.4 mm.

GARDEN TRACTOR

ENGINE-BRIGGS AND STRATTON MODEL NUMBER 303777 TYPE NUMBER 0015-02

ALL ENGINE PARTS MUST BE PURCHASED THROUGH AND WARRANTY SERVICE PERFORMED BY YOUR LOCAL BRIGGS & STRATTON DEALER



REPAIR PARTS

GARDEN TRACTOR

ENGINE-BRIGGS AND STRATTON MODEL NUMBER 303777 TYPE NUMBER 0015-02

| KEY NO. | PART NO. | DESCRIPTION | KEY NO. | PART NO. | DESCRIPTION |
|---------|----------|---|---------|----------|---|
| 1 | 807511 | Cylinder Assembly | 46 | 805416 | Washer-Governor Shaft |
| 2 | 805107 | Bearing-Cylinder | 47 | 805048 | Plug-Oil Drain |
| 3 | 805101 | Seal-Oil | 48 | 805198 | O-Ring (Crankcase) Cover |
| 4 | 805025 | Screw-Sem | 49 | 805417 | Pin-Cotter |
| 5 | 807610 | Bracket-Governor Control | 50 | 805054 | Seal-Governor Shaft |
| 6 | 805453 | Spring-Governed Idle | 51 | 805412 | Bushing-Governor Shaft |
| 7 | 805381 | Bolt | 52 | 805413 | Bushing-Governor Shaft |
| 8 | 805460 | Spring-Governor | 53 | 807596 | Fork-Governor |
| 9 | 805465 | Spring-Governor Link | 54 | 807621 | Pin Assy. Piston (Standard) |
| 10 | 805018 | Washer | 55 | 805099 | Lock-Piston Pin |
| 11 | 805383 | Nut-Hex | 56 | 807620 | Ring Set-Piston (Standard) |
| 12 | 807528 | Lever Assembly-Governor | 57 | 807619 | Piston Assembly (Standard) |
| 13 | 805480 | Link-Governor | 58 | 807622 | Rod Assembly-Connecting |
| 14 | 491055 | Resistor Spark Plug (Champion RJ12 or equivalent) | 59 | 805395 | Screw-Connecting Rod |
| 15 | 805529 | Elbow-Spark Plug | 60 | 805194 | Screw |
| 16 | 807510 | Head Cylinder- (Cyl. #2) | 61 | 805313 | Slider-Governor |
| 17 | 805111 | *+ Gasket-Cylinder Head | 62 | 807542 | Gear-Cam |
| 18 | 805083 | Liner-Exhaust Port | 63 | 807588 | * Crankshaft |
| 19 | 805097 | Screw-Cylinder Head | 64 | 805484 | Washer-Breather Screw |
| 20 | 805090 | Valve-Intake | 65 | 805482 | Seal-Breather Screw |
| 21 | 805089 | Valve-Exhaust | 66 | 805362 | Tube-Breather |
| 22 | 805354 | Tappet-Valve | 67 | 805483 | Seal-Breather Screw |
| 23 | 805094 | Seal-Valve Guide | 68 | 807553 | * Breather Assembly |
| 24 | 805078 | Spring-Valve | 69 | 805379 | Gasket, Breather |
| 25 | 805092 | Retainer-Valve Spring | 70 | 805100 | * Cover-Valve |
| 26 | 805161 | Retainer-Valve | | | Note: *807665 Cover-Valve Used on Cylinder #1 on Fuel Pump Applications |
| 27 | 805352 | Rod-Push | 71 | 805019 | + Nut-Nylock |
| 28 | 805341 | Support-Rocker Arm | 72 | 805420 | + Washer-Valve Cover |
| 29 | 807623 | Screw-Valve Adjustment (Includes: Jam Nut) | 73 | 805028 | * Valve-Cover Gasket |
| 30 | 807557 | Arm-Rocker | 74 | 805086 | Seat-Exhaust Valve |
| 31 | 805342 | Shaft-Rocker Arm | 75 | 805084 | Guide-Valve |
| 32 | 805343 | Stud-Rocker Arm | 76 | 805085 | Seat-Intake Valve |
| 33 | 491056 | Filter-Oil | 77 | 807508 | Head-Cylinder (Cyl. #1) |
| 34 | 805449 | Washer, Lock | 78 | 805103 | Dowel-Crankcase |
| 35 | 805073 | Stud-Oil Filter Adapter | 78A | 805102 | Dowel-Cylinder Head |
| 36 | 805030 | Screw-Sem | 79 | 805016 | Key-Flywheel |
| 37 | 805250 | * Gasket-Oil Filter Adapter | 80 | 805197 | Baffle-Breather |
| 38 | 805292 | Adapter-Oil Filter | 81 | 805011 | Seal-Filler Tube |
| 39 | 805059 | Plug-Pipe | 82 | 805317 | Screw-Mounting |
| 40 | 807644 | Oil Pump Assembly | 83 | 807611 | Tube-Oil Filler |
| 41 | 805058 | O-Ring (Oil Pump) | 84 | 805012 | O-Ring |
| 42 | 805312 | Screen-Oil | 85 | 807516 | Dipstick |
| 43 | 805057 | Screw-Sem | 86 | 807638 | Cover Assembly-Crankcase |
| 44 | 805017 | Screw-Crankcase Cover | 87 | 805193 | + Washer-Cylinder Head |
| 45 | 805049 | Seal-Oil | | | |

*Included in Gasket Set - Part No. 807640
 +Included in Valve Overhaul Kit - Part No. 807668

Note: All component dimensions given in U.S. inches. 1 inch = 25.4mm

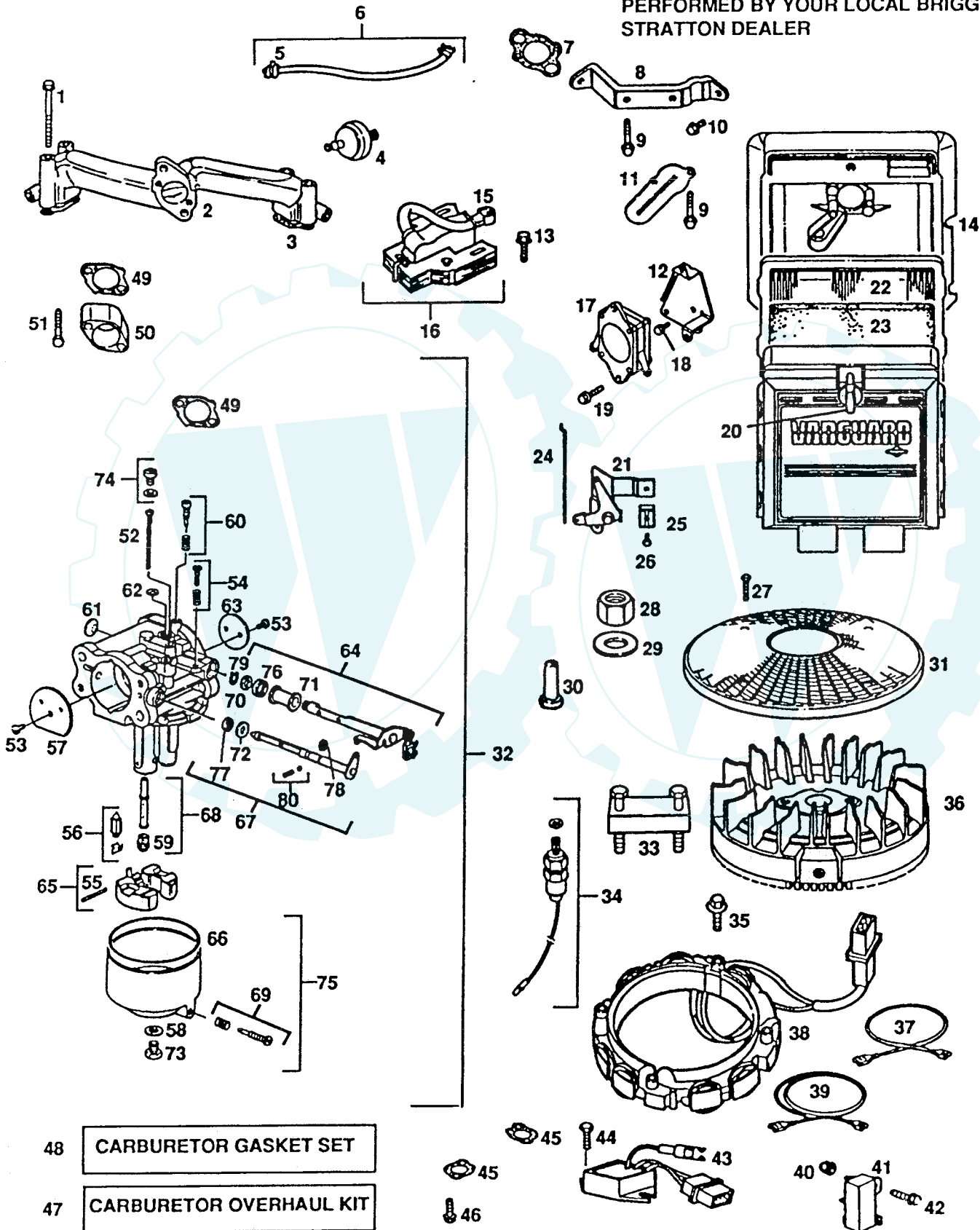
A RESISTOR SPARK PLUG MUST BE USED IN ORDER TO COMPLY WITH RADIO INTERFERENCE REGULATIONS

| SPARK PLUG TYPE | CHAMPION | AUTOLITE |
|--------------------|----------|----------|
| RESISTOR LONG PLUG | RC12YC | 3924 |

GARDEN TRACTOR

ENGINE-BRIGGS AND STRATTON MODEL NUMBER 303777 TYPE NUMBER 0015-02

ALL ENGINE PARTS MUST BE PURCHASED THROUGH AND WARRANTY SERVICE PERFORMED BY YOUR LOCAL BRIGGS & STRATTON DEALER



- 48 CARBURETOR GASKET SET
- 47 CARBURETOR OVERHAUL KIT

REPAIR PARTS

GARDEN TRACTOR

ENGINE-BRIGGS AND STRATTON MODEL NUMBER 303777 TYPE NUMBER 0015-02

| KEY NO. | PART NO. | DESCRIPTION | KEY NO. | PART NO. | DESCRIPTION |
|---------|----------|------------------------------------|---------|----------|---|
| 1 | 805006 | Screw-Sem | 41 | 807527 | Terminal-Ground |
| 2 | 805409 | Manifold Assembly-Intake | 42 | 805169 | Screw-Hex. Head |
| 3 | 805023 | * Gasket-Intake Manifold | 43 | 394890 | Regulator-Alternator |
| 4 | 394358 | * Filter-Fuel | 44 | 805448 | Screw-Regulator Mtg. |
| 5 | 93053 | Clamp-Hose | 45 | 805024 | * Gasket-Exhaust Manifold |
| 6 | 393815 | Hose-Fuel (Cut to Required Length) | 46 | 805158 | Screw-Sem |
| 7 | 805003 | * Gasket-Air Cleaner | 47 | --- | Carburetor Overhaul Kit |
| 8 | 807576 | Bracket-Air Cleaner | 48 | --- | Carburetor Gasket Set |
| 9 | 805405 | Screw-Air Cleaner Base | 49 | 805149 | * Gasket-Carburetor Mtg. |
| 10 | 805406 | Screw-Sem | 50 | 805329 | Spacer-Carburetor |
| 11 | 805370 | Deflector-Breather (A.C.) | 51 | 805360 | Screw-Sem |
| 12 | 807685 | Bracket-Fuel Pump | 52 | 805565 | ** Nozzle-Carburetor |
| 13 | 805407 | Screw-Mounting | 53 | 805561 | Screw-Valve Mtg. |
| 14 | 807564 | Base-Air Cleaner | 54 | 807705 | Screw-Throttle Adj. |
| 15 | 221798 | Terminal-Ignition Cable | 55 | 805586 | ** Pin-Float Hinge |
| 16 | 490586 | Armature-Magneto | 56 | 807706 | ** Valve-Fuel Inlet |
| 17 | 491922 | Pump-Fuel | 57 | 805562 | Valve-Choke Gasket-Sealing (Sold in kit only) |
| 18 | 805025 | Screw-Sem | 59 | --- | ** Jet-Main (Sold in kit and ref.147.) |
| 19 | 805407 | Screw-Mounting | 60 | 807707 | Valve Assy. Carb. Idle |
| 20 | 807565 | Screw-Air Cleaner Mtg. | 61 | 805570 | ** Plug-Welch |
| 21 | 807609 | Bracket-Choke Control | 62 | 805571 | ** Plug-Welch |
| 22 | 805113 | Filter-Air Cleaner | 63 | 805522 | Valve-Throttle |
| 23 | 805267 | Pre-Filter | 64 | 807709 | Shaft-Throttle |
| 24 | 805439 | Link-Choke | 65 | 807710 | Float Assy.-Carb. |
| 25 | 221535 | Clamp-Casing | 66 | --- | ** Gasket Float Bowl (Sold in kit only) |
| 26 | 805169 | Screw-Hex. Head | 67 | 807711 | Shaft-Choke |
| 27 | 805447 | Screw-Sem | 68 | 807712 | ** Nozzle |
| 28 | 805021 | Nut-Hex | 69 | 807713 | Drain-Carb. Bowl |
| 29 | 805007 | Washer-Spring | 70 | 805576 | ** Collar-Throttle |
| 30 | 805402 | Spacer | 71 | 805574 | ** Collar-Throttle |
| 31 | 280829 | Screen-Rotating | 72 | 805580 | ** Collar-Choke |
| 32 | 807639 | Carburetor Assembly | 73 | 805592 | Screw-Bowl Mtg. |
| 33 | 19203 | Puller-Flywheel | 74 | 807714 | Plug and Seal Carb. |
| 34 | 807646 | Solenoid | 75 | 807715 | Bowl Assy. Float |
| 35 | 805407 | Screw-Mounting | 76 | 805575 | ** Seal-Throttle Shaft |
| 36 | 807531 | Flywheel & Ring Gear | 77 | 805581 | ** Seal-Choke Shaft |
| 37 | 807594 | Wire-Ground (Cyl. #1) | 78 | 805578 | Retainer-Choke Shaft |
| 38 | 393295 | Stator-Alternator | 79 | 805577 | Retainer-Throttle Shaft |
| 39 | 807593 | Wire-Ground (Cyl. #2) | 80 | 807717 | Ball-Choke Locator |
| 40 | 805496 | Nut-Nylock | | | |

*Included in Gasket Set-Part No. 807640

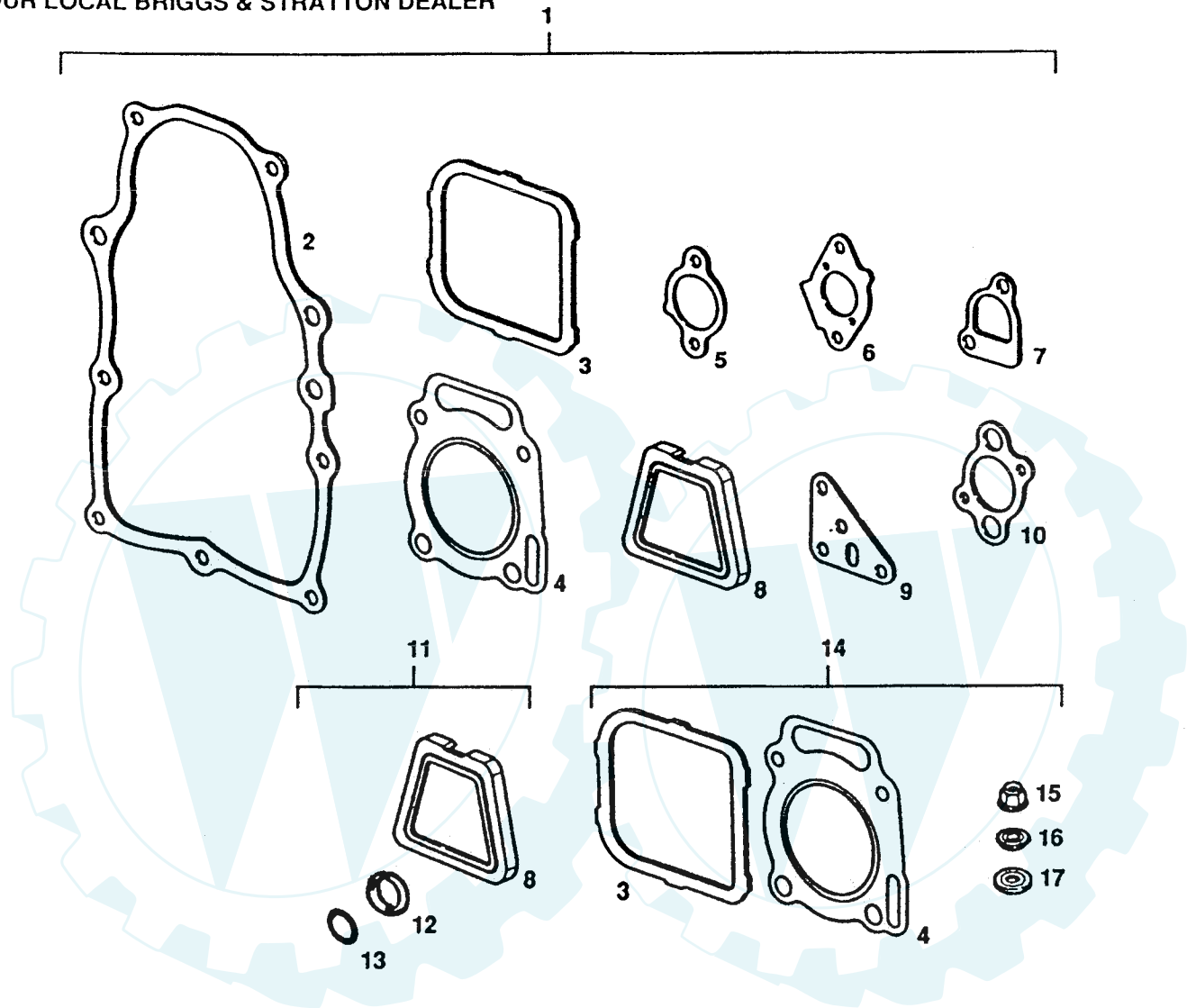
**Included in Carburetor Overhaul Kit Part No. 807708

REPAIR PARTS

GARDEN TRACTOR

ENGINE-BRIGGS AND STRATTON MODEL NUMBER 303777 TYPE NUMBER 0015-02

ALL ENGINE PARTS MUST BE PURCHASED THROUGH AND WARRANTY SERVICE PERFORMED BY YOUR LOCAL BRIGGS & STRATTON DEALER



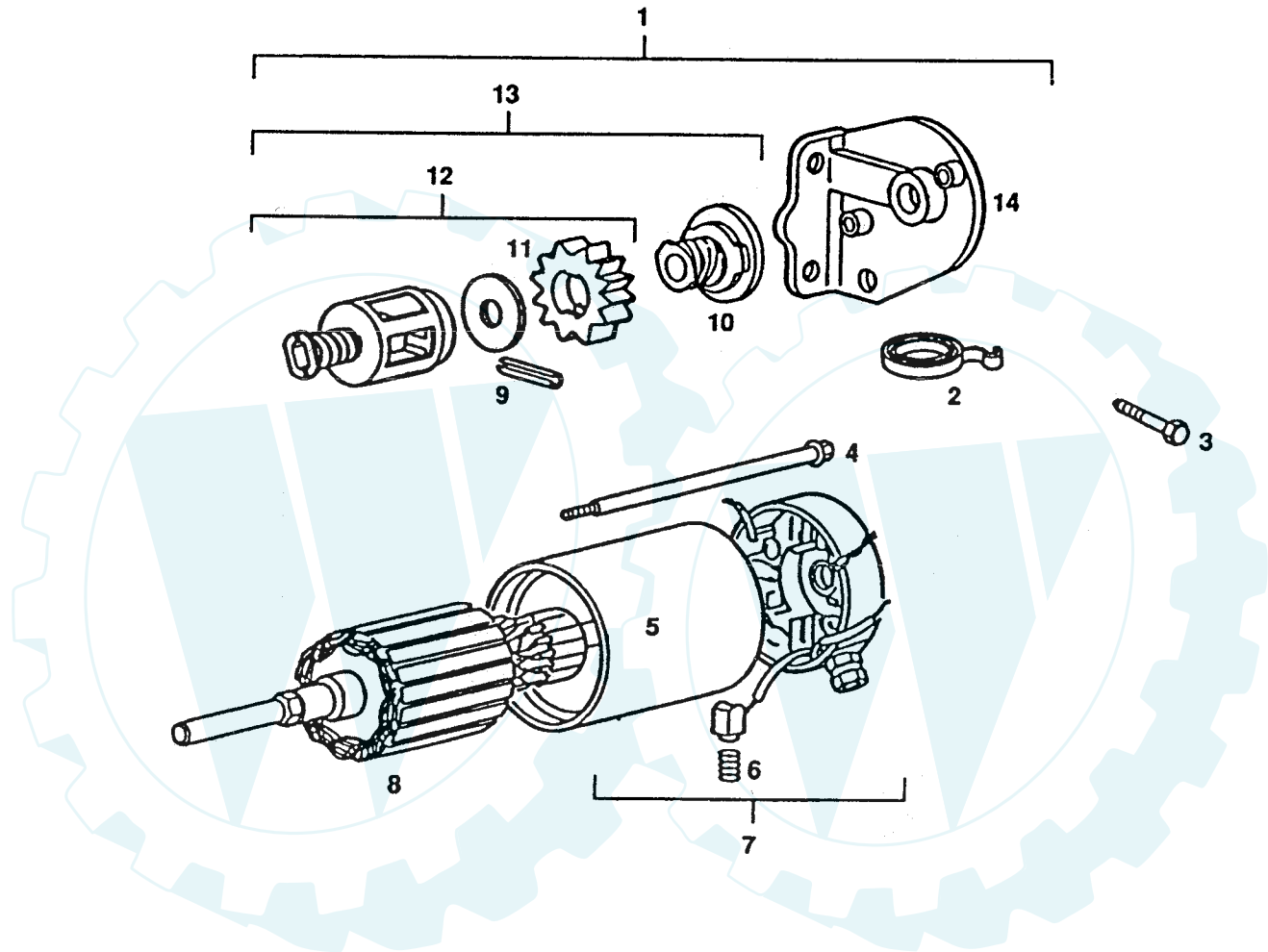
| KEY NO. | PART NO. | DESCRIPTION |
|---------|----------|-----------------------------|
| 1 | 807640 | Gasket Set |
| 2 | 805112 | * Gasket-Crankcase Cover |
| 3 | 805028 | *+ Gasket-Valve Cover |
| 4 | 805111 | *+ Gasket-Cylinder Head |
| 5 | 805024 | * Gasket-Exhaust Manifold |
| 6 | 805149 | * Gasket-Carburetor Mtg. |
| 7 | 805023 | * Gasket-Intake Manifold |
| 8 | 805379 | * Gasket-Breather |
| 9 | 805250 | * Gasket-Oil Filter Adapter |

| KEY NO. | PART NO. | DESCRIPTION |
|---------|----------|------------------------|
| 10 | 805003 | * Gasket-Air Cleaner |
| 11 | 807688 | Breather Gasket Set |
| 12 | 805483 | Seal-Breather Screw |
| 13 | 805482 | Seal-Breather Screw |
| 14 | 807668 | Overhaul Kit-Valve |
| 15 | 805019 | + Nut-Nylock |
| 16 | 805420 | + Washer-Valve Cover |
| 17 | 805193 | + Washer-Cylinder Head |

*Included in Gasket Set - part No. 807640
 +Included in Valve Overhaul Kit - Part No. 807668

GARDEN TRACTOR
ENGINE-BRIGGS AND STRATTON MODEL NUMBER 303777 TYPE NUMBER 0015-02

ALL ENGINE PARTS MUST BE PURCHASED THROUGH AND WARRANTY SERVICE PERFORMED BY YOUR LOCAL BRIGGS & STRATTON DEALER



| KEY NO. | PART NO. | DESCRIPTION |
|---------|----------|-----------------------------|
| 1 | 399169 | Motor-Starting |
| 2 | 490316 | Brush Spring Set |
| 3 | 805247 | Screw-Starter Mtg. |
| 4 | 94169 | Bolt |
| 5 | 399172 | Housing Assembly |
| 6 | 490311 | Brush Assembly |
| 7 | 490310 | Cap Assembly-Commutator End |

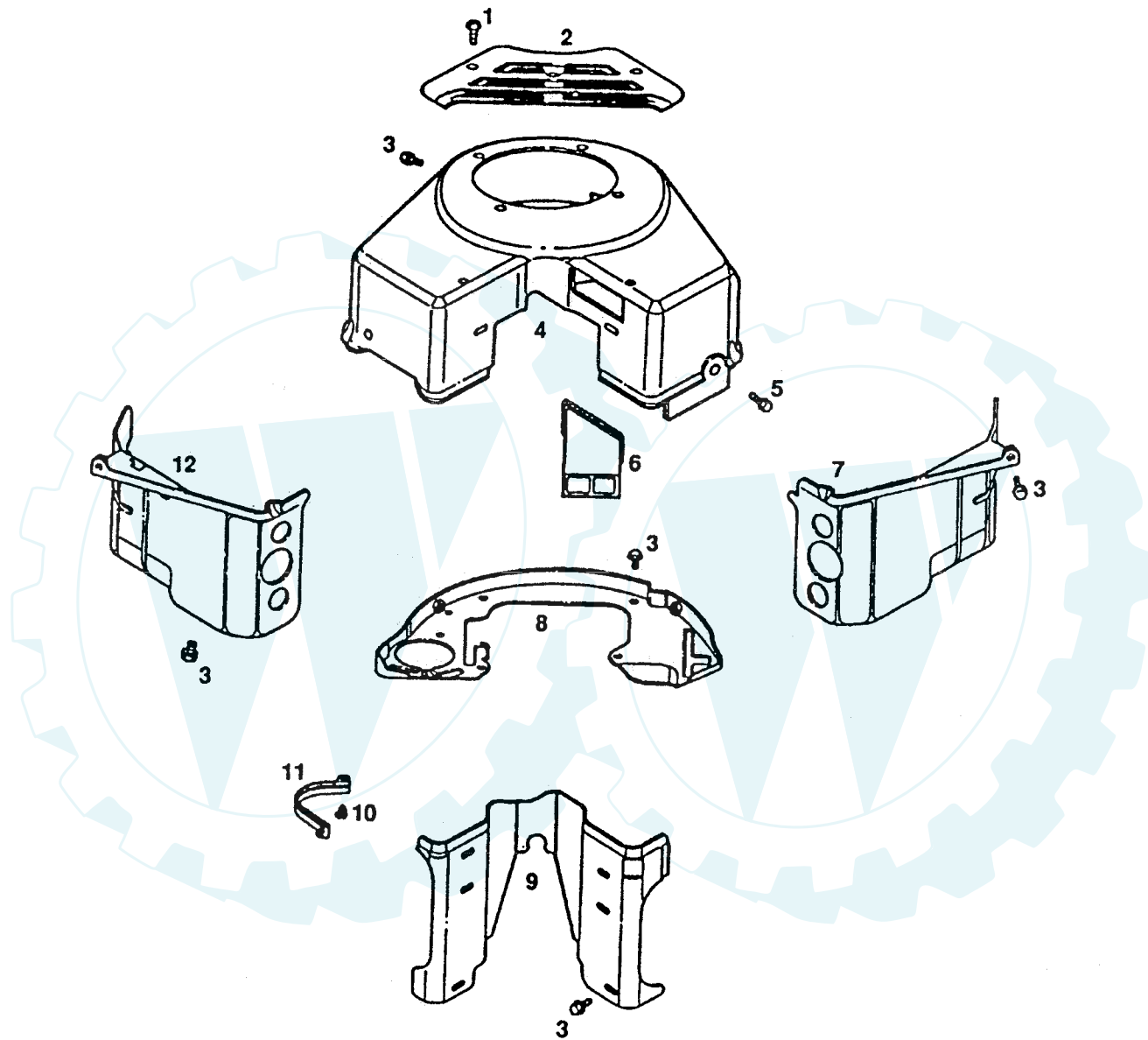
| KEY NO. | PART NO. | DESCRIPTION |
|---------|----------|-----------------------------|
| 8 | 490309 | Armature Assembly |
| 9 | 94288 | Roll Pin |
| 10 | 398003 | Clutch Assembly |
| 11 | 280104 | Gear |
| 12 | 490467 | Retainer Kit |
| 13 | 490421 | Drive Assembly |
| 14 | 394857 | Cap Assembly-Commutator End |

REPAIR PARTS

GARDEN TRACTOR

ENGINE-BRIGGS AND STRATTON MODEL NUMBER 303777 TYPE NUMBER 0015-02

ALL ENGINE PARTS MUST BE PURCHASED THROUGH AND WARRANTY SERVICE PERFORMED BY YOUR LOCAL BRIGGS & STRATTON DEALER



| KEY NO. | PART NO. | DESCRIPTION |
|---------|----------|------------------|
| 1 | 805009 | Screw-Sem |
| 2 | 805369 | Cover-Carburetor |
| 3 | 805406 | Screw-Sem |
| 4 | 807662 | Housing-Blower |
| 5 | 805025 | Screw-Sem |
| 6 | 805363 | Tube-Air Inlet |

| KEY NO. | PART NO. | DESCRIPTION |
|---------|----------|---------------------------|
| 7 | 807657 | Cover-Air Guide (Cyl. #2) |
| 8 | 807663 | Back Plate Assembly |
| 9 | 807660 | Valley Cover-Air Guide |
| 10 | 805260 | Screw-Sem |
| 11 | 805505 | Shield-Starter |
| 12 | 807656 | Cover-Air Guide (Cyl. #1) |