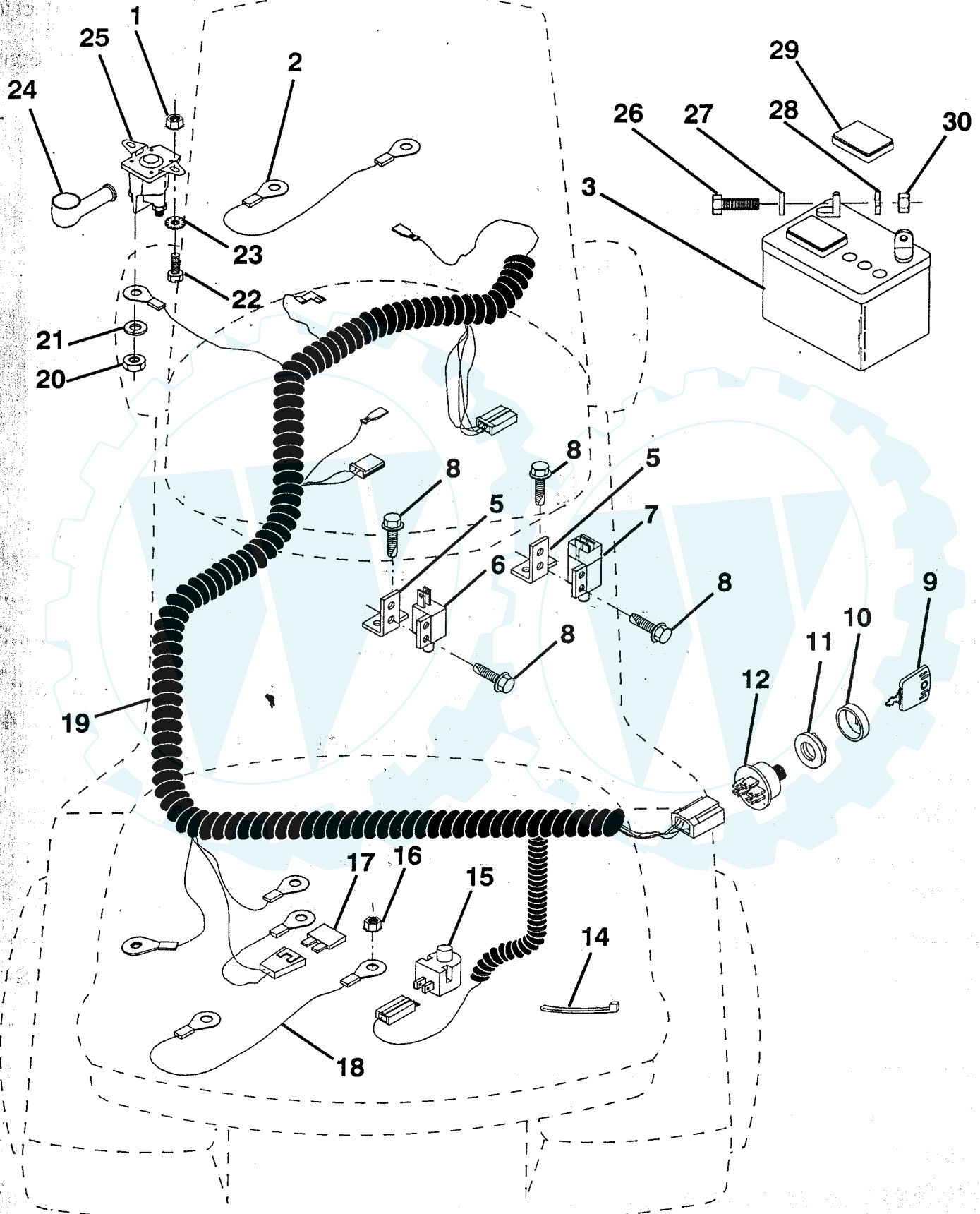


# REPAIR PARTS

[www.ersatzteil-service.de](http://www.ersatzteil-service.de)

12.5 HP 38" TRACTOR - - MODEL NUMBER FA125R38B

## ELECTRICAL



# REPAIR PARTS

[www.ersatzteil-service.de](http://www.ersatzteil-service.de)

12.5 HP 38" TRACTOR - - MODEL NUMBER FA125R38B

## ELECTRICAL

KEY PART NO.	NO.	DESCRIPTION
1	873510400	Nut, Hex, Keps 1/4-20
2	532108423	Assembly, Cable
3	532133909	Battery
5	532108236	Bracket, Switch
6	532104445	Switch, Interlock, 2 Terminal
7	532109553	Switch, Interlock, 4 Terminal
8	817021008	Screw, Hex Head, Tapping #10-24 x 1/2
9	532122147	Key, Molded
10	532123620	Cover, Ignition Key
11	532124211	Nut, Ignition
12	532125104	Switch, Ignition
14	532124756	Tie, Cable
15	532121305	Switch, Plunger
16	873510500	Nut, Hex, Keps 5/16-18
17	532108824	Fuse
18	532128353	Assembly, Cable
19	532132223	Harness, Ignition
20	873350400	Nut, Hex, Jam 1/4-20
21	810090400	Washer, Lock 1/4
22	874780408	Bolt, Hex Head, Fin. 1/4-20 UNC x 1/2 Grade 5
23	811050400	Washer, Lock, External Tooth 1/4
24	532131563	Cover, Terminal
25	532138406	Solenoid
26	874760412	Bolt, Hex Head 1/4-20 UNC x 3/4
27	819091016	Washer 9/32 x 5/8 x 16 Gauge
28	810040400	Washer, Lock 1/4
29	532121264	Cap, Battery
30	873220400	Nut, Hex, Fin. 1/4-20 UNC

**NOTE:** All component dimensions given in U.S. inches  
1 inch = 25.4 mm

HARDWARE SHOWN LARGER FOR EASIER IDENTIFICATION

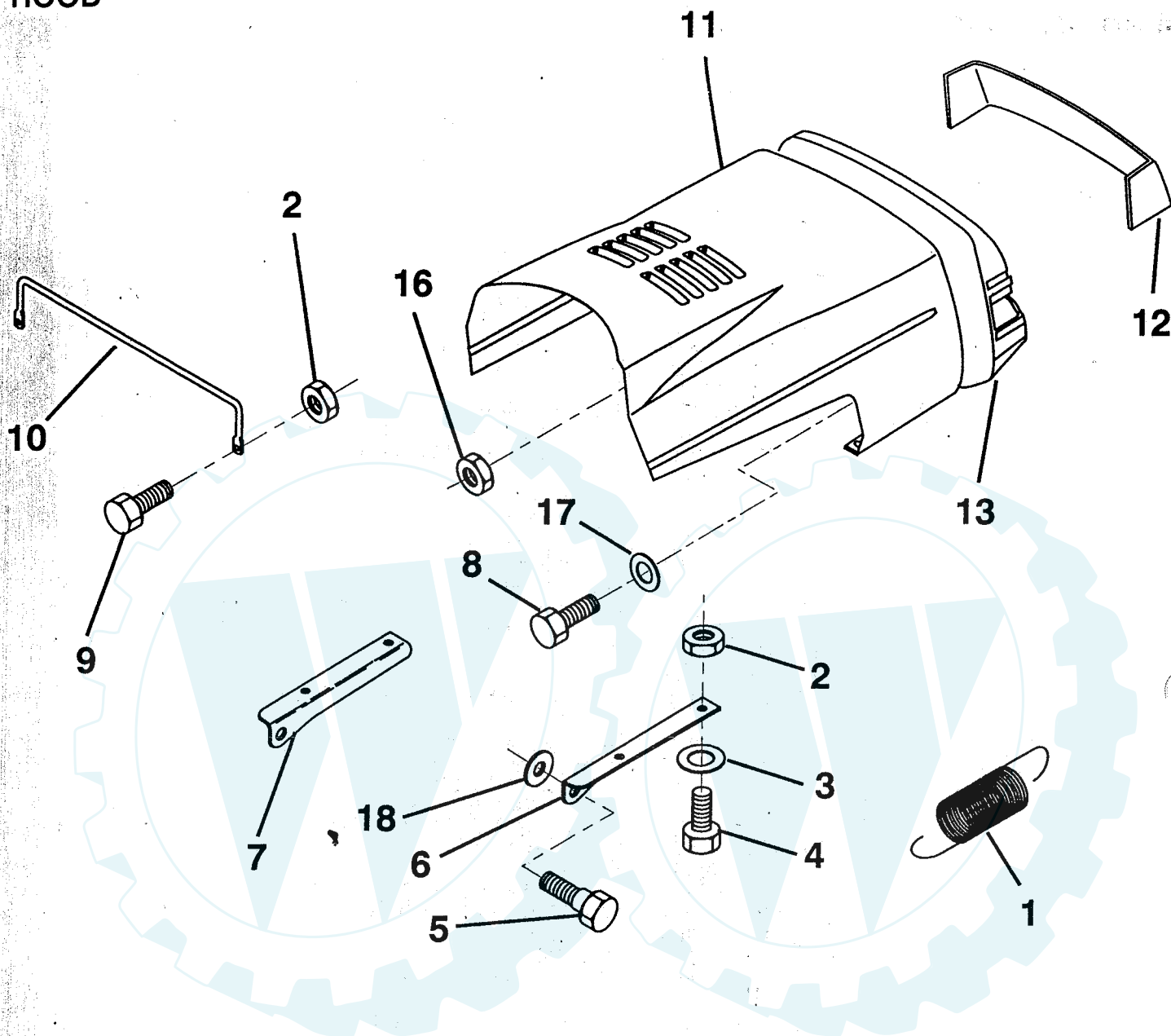
[Der Ersatzteilspezialist im Internet.](http://www.ersatzteil-service.de)

# REPAIR PARTS

[www.ersatzteil-service.de](http://www.ersatzteil-service.de)

12.5 HP 38" TRACTOR -- MODEL NUMBER FA125R38B

## HOOD



### KEY PART NO. NO.

### DESCRIPTION

1	532124657	Spring, Extension
2	873510400	Nut, Hex, Keps 1/4-20
3	819091016	Washer .9/32 x 5/8 x 16 Gauge
4	874780410	Bolt, Hex Head, Fin. 1/4-20 UNC x 5/8 Grade 5
5	532126675	Bolt, Shoulder
6	532122549	Bracket, Hood, R.H.
7	532122548	Bracket, Hood, L.H.
8	817411310	Screw, Hex Head, Fin. #13-16 Hi-Lo x 5/8
9	874780412	Bolt, Hex Head, Fin. 1/4-20 x 3/4 Grade 5

### KEY PART NO. NO.

### DESCRIPTION

10	532123693	Brace, Hood
11	532125388	Hood
12	532125403	Lens, Plate, Grill
13	532125719	Grill
16	532124346	Nut, Washer Head, Self-Threading 1/4
17	819091216	Washer 9/32 x 3/4 x 16 Gauge
18	819111116	Washer 11/32 x 11/16 x 16 Gauge

**NOTE:** All component dimensions given in U.S. inches.  
1 inch = 25.4 mm

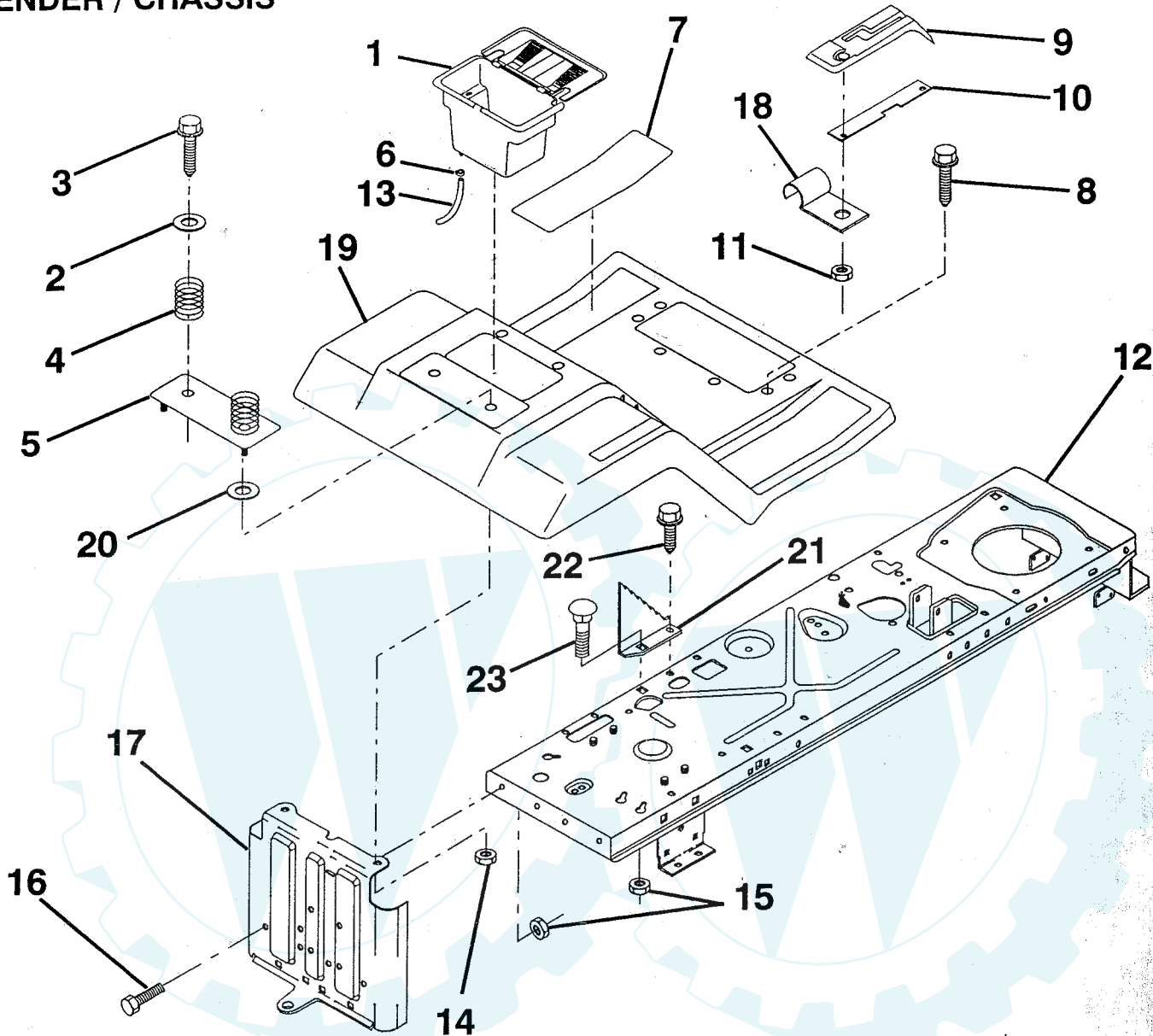
HARDWARE SHOWN LARGER FOR EASIER IDENTIFICATION

Der Ersatzteilspezialist im Internet.

# REPAIR PARTS

12.5 HP 38" TRACTOR - - MODEL NUMBER FA125R38B

## FENDER / CHASSIS



**KEY PART NO. NO.**

**DESCRIPTION**

1	532129965	Case, Battery
2	819132012	Washer 13/32 x 1-1/4 x 12 Gauge
3	817490612	Screw, Hex Washer Head, Thd., Roll. 3/8-16 x 3/4
4	532124181	Spring, Compression, Seat
5	532125152	Plate Assembly, Battery
6	532109596	Clamp, Hose
7	532124144	Pad, Footrest
8	817490512	Screw, Hex Washer Head, Thd., Roll. 5/16-18 x 3/4
9	532126995	Console, Shift Control
10	532124602	Bar, Shift Lock
11	532124346	Nut, Self-Threading, Washer Head 3/16

**KEY PART NO. NO.**

**DESCRIPTION**

12	532137097	Assembly, Chassis
13	532109238	Tube, Battery Drain
14	873510400	Nut, Hex, Keps 1/4-20
15	873680500	Nut, Crownlock 5/16-18
16	874760512	Bolt, Hex Head 5/16-18 UNC x 3/4
17	532127880	Drawbar
18	532126470	Clip, Insulated
19	532125404	Fender/Footrest
20	819091413	Washer 9/32 x 7/8 x 13 Gauge
21	532132562	Plate, Depth Stop
22	817490508	Screw, Thd., Roll. 5/16-18 x 1/2
23	872110506	Bolt, Carriage 5/16-18 x 3/4

**NOTE:** All component dimensions given in U.S. inches  
1 inch = 25.4 mm

HARDWARE SHOWN LARGER FOR EASIER IDENTIFICATION

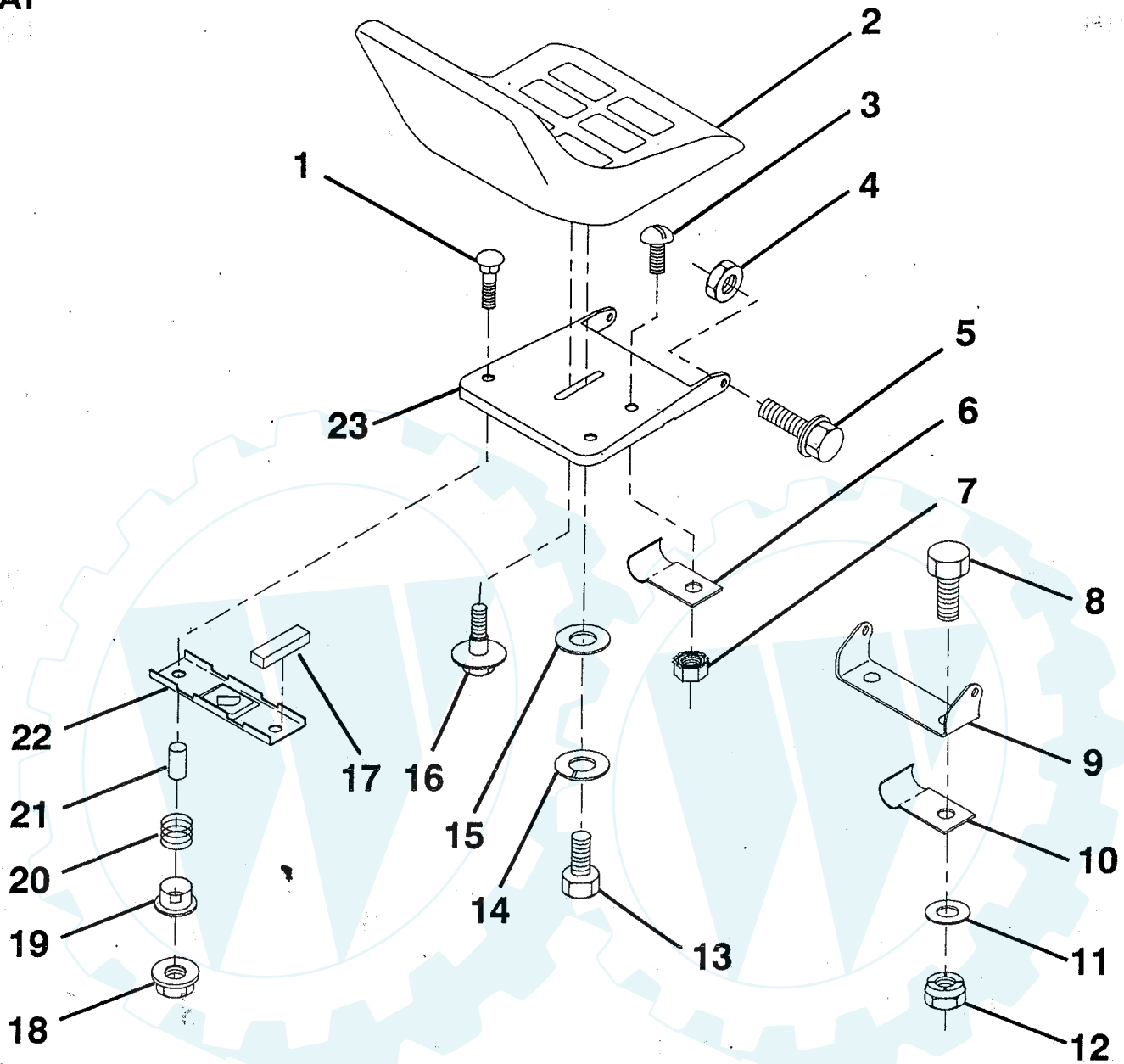
Der Ersatzteilspezialist im Internet.

# REPAIR PARTS

[www.ersatzteil-service.de](http://www.ersatzteil-service.de)

## 12.5 HP 38" TRACTOR - - MODEL NUMBER FA125R38B

### SEAT



**KEY PART  
NO. NO.**

**DESCRIPTION**

1	872050411	Bolt, Carriage 1/4-20 x 1-3/8
2	532127427	Seat
3	874641008	Screw, Slotted Pan Head #10-32 x 1/2
4	873680500	Nut, Crownlock 5/16-18
5	532105529	Bolt, Shoulder 5/16-18 UNC
6	532124967	Clip, Insulated
7	873951000	Nut, Hex, Keps #10-32 UNF
8	874760612	Bolt, Hex, Fin. 3/8-16 UNC x 3/4
9	532126656	Bracket, Pivot, Seat
10	532126471	Clip, Insulated
11	819133210	Washer 13/32 x 2 x 10 Gauge
12	873680600	Nut, Crownlock 3/8-16 UNC

**KEY PART  
NO. NO.**

**DESCRIPTION**

13	874780814	Bolt, Hex Head, Fin. 1/2-13 UNC x 7/8 Grade 5
14	810040800	Washer, Lock, Heavy Helical Spring
15	819171912	Washer 17/32 x 1-3/16 x 12 Gauge
16	532127018	Bolt, Shoulder
17	532121251	Strip, Foam
18	532123976	Locknut, Hex, Flange, Large
19	532121248	Bushing, Snap
20	532121250	Spring, Compression
21	532134300	Spacer, Split, Large .28 Id. x .96
22	532121246	Bracket, Switch, Mounting
23	532131451	Pan, Seat

**NOTE:** All component dimensions given in U.S. inches  
1 inch = 25.4 mm

HARDWARE SHOWN LARGER FOR EASIER IDENTIFICATION

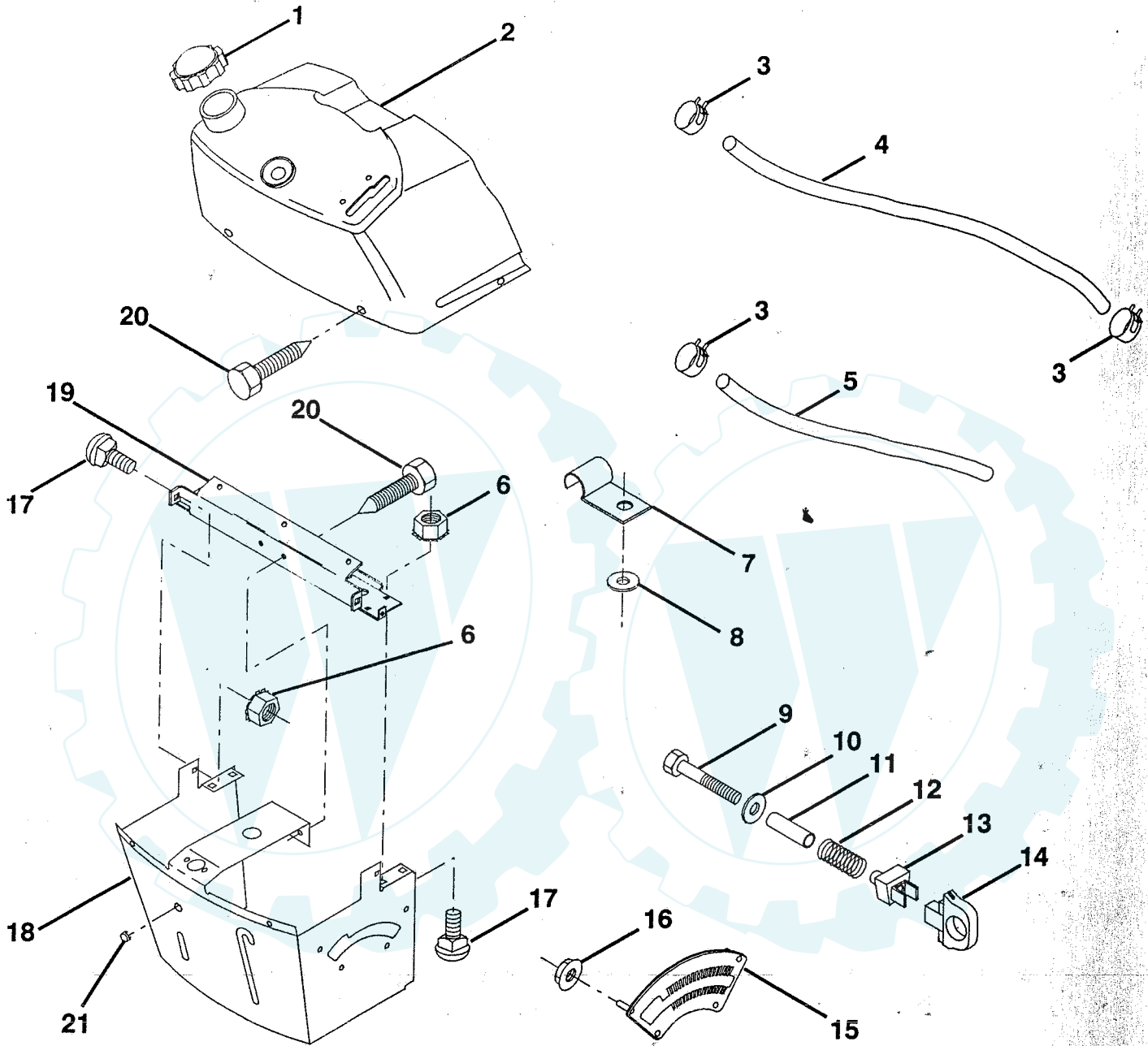
Der Ersatzteilspezialist im Internet.

# REPAIR PARTS

[www.ersatzteil-service.de](http://www.ersatzteil-service.de)

12.5 HP 38" TRACTOR - - MODEL NUMBER FA125R38B

## DASH



### KEY PART NO. NO.

### DESCRIPTION

1	532132734	Cap, Fuel
2	532138393	Dash and Fuel Tank Assembly
3	532123487	Clamp, Hose
4	532008544	Line, Fuel
5	532008548	Line, Fuel
6	873510400	Nut, Hex, Keps 1/4-20
7	532124996	Clip, Fuel Line
8	819091216	Washer 9/32 x 3/4 x 16 Gauge

### KEY PART NO. NO.

### DESCRIPTION

9	872110506	Bolt, 5/16-18 x 3/4
16	873510500	Nut, Keps 5/16-18
17	872110404	Bolt, Carriage 1/4-20 x 1/2 Grade 5
18	532131886	Support Assembly, Dash
19	532134744	Brace, Cross
20	817060408	Screw, Self-Tapping 1/4-20 x 1/2
21	532134014	Plug, Dome Black

NOTE: All component dimensions given in U.S. inches  
1 inch = 25.4 mm

HARDWARE SHOWN LARGER FOR EASIER IDENTIFICATION

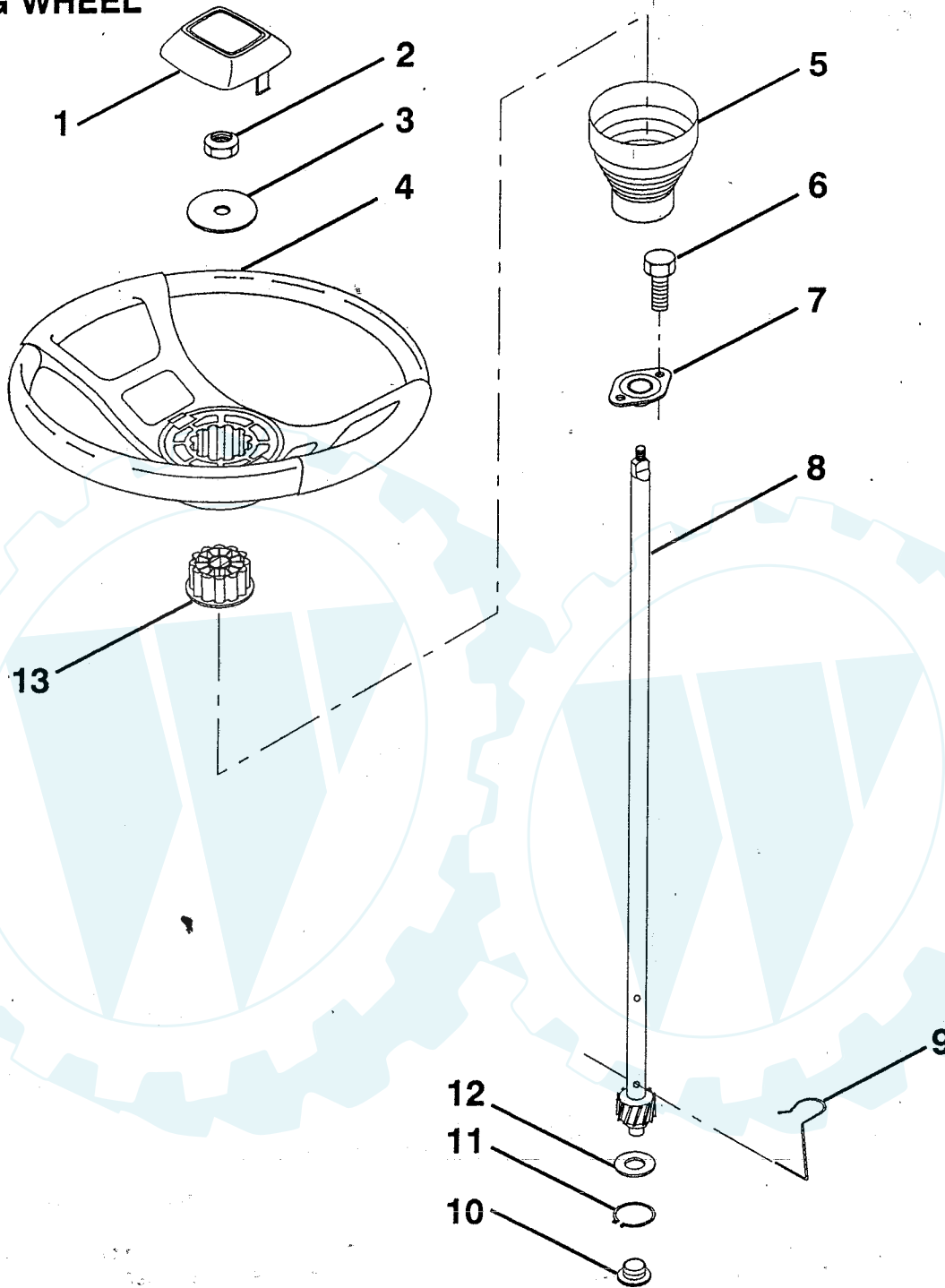
Der Ersatzteilspezialist im Internet.

# REPAIR PARTS

[www.ersatzteil-service.de](http://www.ersatzteil-service.de)

12.5 HP 38" TRACTOR - - MODEL NUMBER FA125R38B

## STEERING WHEEL



**KEY PART  
NO. NO.**

**DESCRIPTION**

**KEY PART  
NO. NO.**

**DESCRIPTION**

- 1 532126805 Insert, Steering Wheel
- 2 532124701 Locknut 3/8-24 UNF
- 3 819133808 Washer 12/32 x 2-3/8 x 8 Gauge
- 4 532121472 Steering Wheel
- 5 532121897 Sleeve, Steering
- 6 817431008 Screw, Hex #10-16 x 1/2 TY-B
- 7 532102803 Bushing, Steering
- 8 532123651 Shaft, Steering

- 9 532124210 Clip, Steering
- 10 532123438 Bushing, Lower, Steering
- 11 812000045 Ring, Retaining
- 12 819211616 Washer 21/32 x 1 x 16 Gauge
- 13 532104820 Adaptor, Steering Wheel

**NOTE:** All component dimensions given in U.S. inches  
1 inch = 25.4 mm

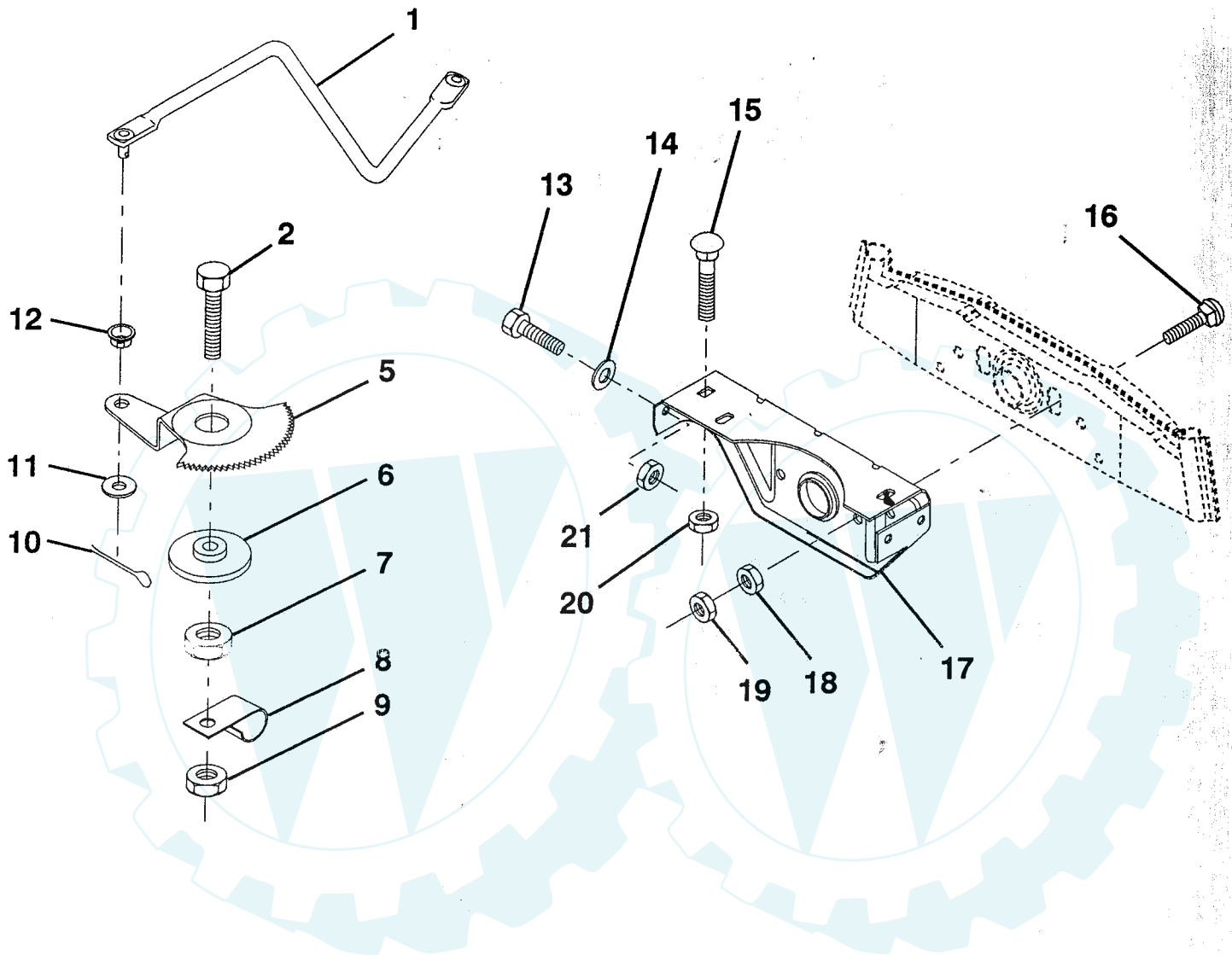
HARDWARE SHOWN LARGER FOR EASIER IDENTIFICATION

Der Ersatzteilspezialist im Internet.

# REPAIR PARTS

12.5 HP 38" TRACTOR - - MODEL NUMBER FA125R38B

## SECTOR GEAR / AXLE SUPPORT



**KEY PART  
NO. NO.**

**DESCRIPTION**

1	532132566	Link, Drag
2	874780828	Bolt, Hex Head, Fin. 1/2-13 x 1-3/4
5	532121926	Gear, Sector
6	532121927	Bushing
7	873030800	Nut, Hex, Heavy, Top Lock 1/2-13 UNC
8	532126472	Clip, Insulated
9	873680800	Nut, Crownlock 3/8-16
10	876020412	Pin, Cotter 1/8 x 3/4
11	819131316	Washer 13/32 x 13/16 x 16 Gauge
12	532126847	Bushing

**KEY PART  
NO. NO.**

**DESCRIPTION**

13	874760512	Bolt, Hex Head 5/16-18 UNC x 3/4
14	819111416	Washer 11/32 x 7/8 x 16 Gauge
15	872110606	Bolt, Carriage 3/8-16 UNC x 3/4
16	872140622	Bolt, Carriage
17	532121912	Support, Front Axle
18	873220600	Nut, Hex, Fin. 3/8-16 UNC
19	873930600	Nut, Centerlock 3/8-16 UNC
20	873680600	Nut, Crownlock 3/8-16 UNC
21	873680500	Nut, Crownlock 5/16-18

**NOTE:** All component dimensions given in U.S. inches  
1 inch = 25.4 mm

HARDWARE SHOWN LARGER FOR EASIER IDENTIFICATION

Der Ersatzteilspezialist im Internet.

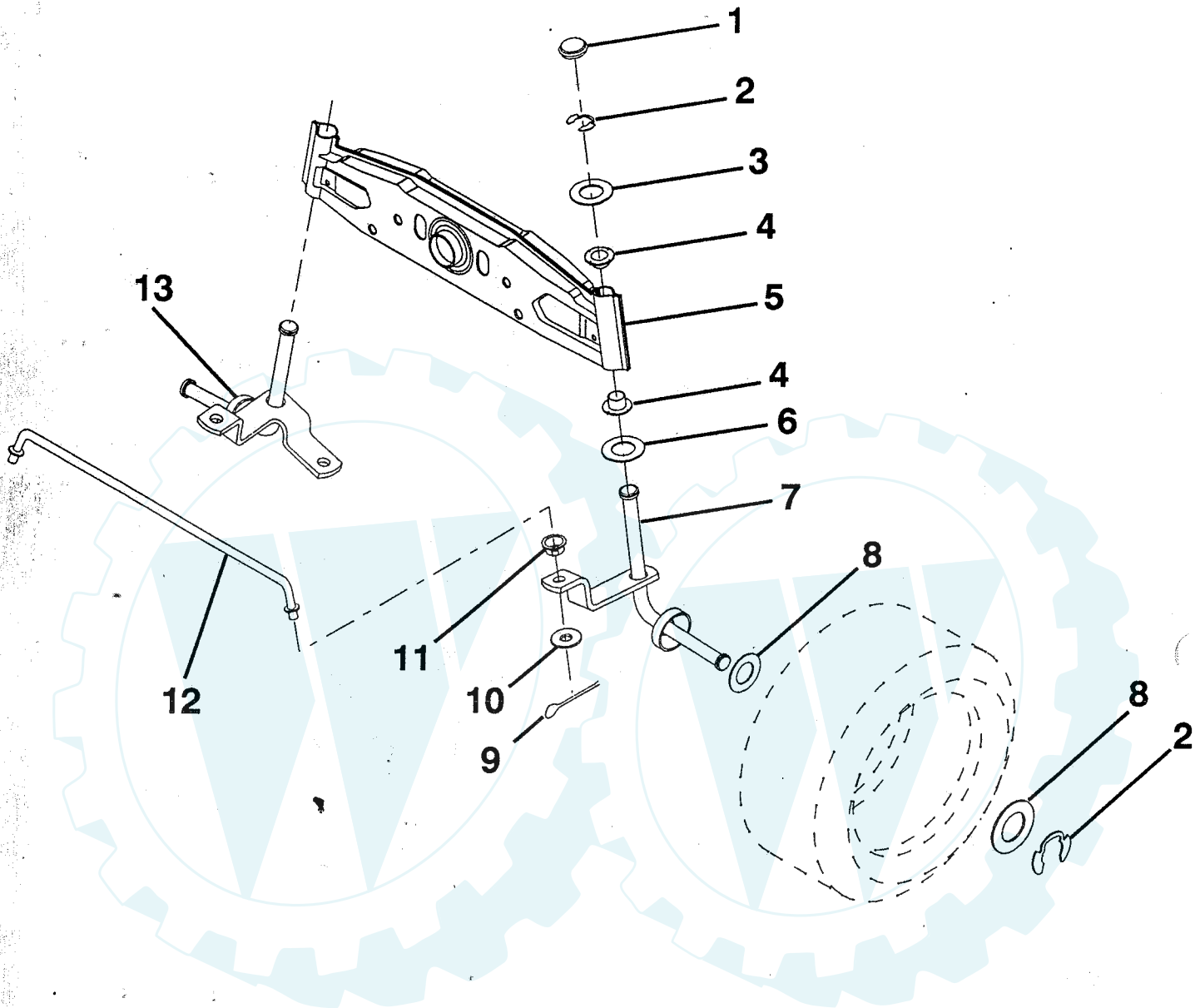


# REPAIR PARTS

[www.ersatzteil-service.de](http://www.ersatzteil-service.de)

12.5 HP 38" TRACTOR - - MODEL NUMBER FA125R38B

## FRONT AXLE



### KEY PART NO. NO.

### DESCRIPTION

1	532121232	Cap, Spindle
2	812000029	Ring, Clip
3	532121748	Washer 25/32 x 1-5/8 x 16 Gauge
4	532121922	Nyliner
5	532121914	Axle, Front
6	532124931	Bearing, Thrust
7	532121919	Spindle Assembly, R.H.
8	532121749	Washer 25/32 x 1-1/4 x 16 Gauge

### KEY PART NO. NO.

### DESCRIPTION

9	876020412	Pin, Cotter 1/8 x 3/4
10	819131316	Washer 13/32 x 13/16 x 16 Gauge
11	532126847	Bushing
12	532121924	Rod, Tie
13	532121916	Spindle Assembly, L.H.

**NOTE:** All component dimensions given in U.S. inches  
1 inch = 25.4 mm

HARDWARE SHOWN LARGER FOR EASIER IDENTIFICATION

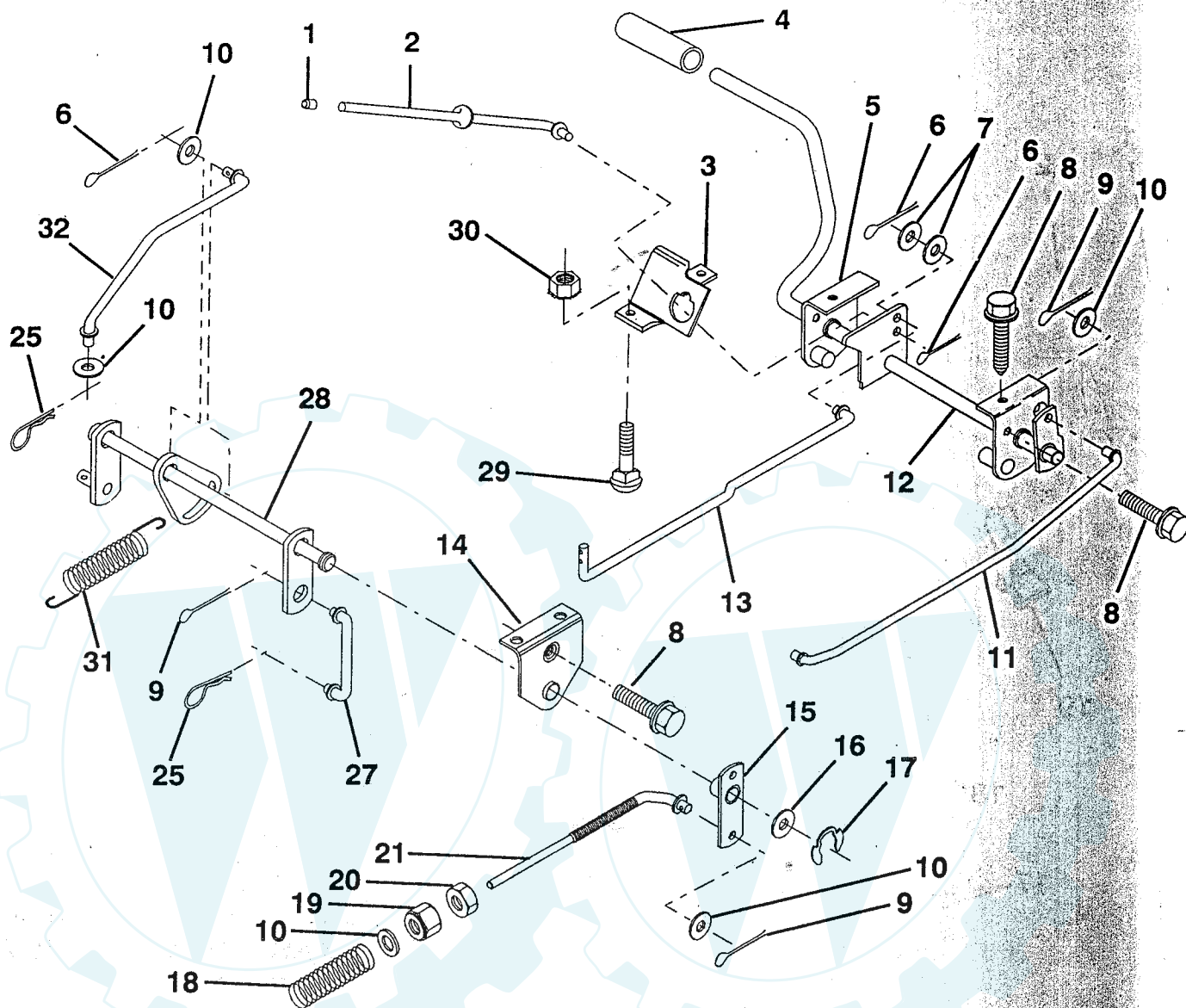
Der Ersatzteilspezialist im Internet.

# REPAIR PARTS

[www.ersatzteil-service.de](http://www.ersatzteil-service.de)

12.5 HP 38" TRACTOR - - MODEL NUMBER FA125R38B

## BRAKE / REAR MOWER LIFT ASSEMBLY



### KEY PART NO. NO.

KEY PART NO. NO.	DESCRIPTION
1 532071673	Cap, Plunger
2 532123436	Rod, Parking Brake
3 532123437	Bracket, Parking Brake
4 532124872	Cover, Pedal
5 532132205	Bracket, Clutch/Brake Pedal, L.H.
6 876020312	Pin, Cotter 3/32 x 3/4
7 819131016	Washer 13/32 x 5/8 x 16 Gauge
8 817490508	Screw, Hex Head, Thd., Roll. 5/16-18 x 1/2
9 876020412	Pin, Cotter 1/8 x 3/4
10 819131316	Washer 13/32 x 13/16 x 16 Gauge
11 532123543	Rod, Brake, Front
12 532136263	Assembly, Clutch/Brake Pedal
13 532123394	Rod, Clutch
14 532121978	Bracket, Lift Shaft
15 532123641	Assembly, Brake, Pivot, Arm
16 819251816	Washer 25/32 x 1-1/8 x 16 Gauge
17 812000034	Ring, Klip

### KEY PART NO. NO.

KEY PART NO. NO.	DESCRIPTION
18 532106888	Spring, Brake Rod
19 873350600	Nut, Hex, Jam 3/8-16 UNC
20 873800600	Locknut, Hex, with Washer Insert 3/8-16 UNC
21 532131460	Rod, Brake, Rear
23 873680600	Nut, Crownlock 3/8-16 UNC
24 819132012	Washer 13/32 x 1-1/4 x 12 Gauge
25 532124961	Spring, Retainer
26 873930600	Nut, Centerlock 3/8-16 UNC
27 532136780	Link, Lift, Rear
28 532136779	Assembly, Rear Mower Lift
29 872110506	Bolt, Carriage 5/16-18 UNC x 3/4
30 873510500	Nut, Hex, Keps 5/16-16 UNC
31 532133095	Spring, Counterbalance
32 532133721	Link, Lift Lever

NOTE: All component dimensions given in U.S. inches  
1 inch = 25.4 mm

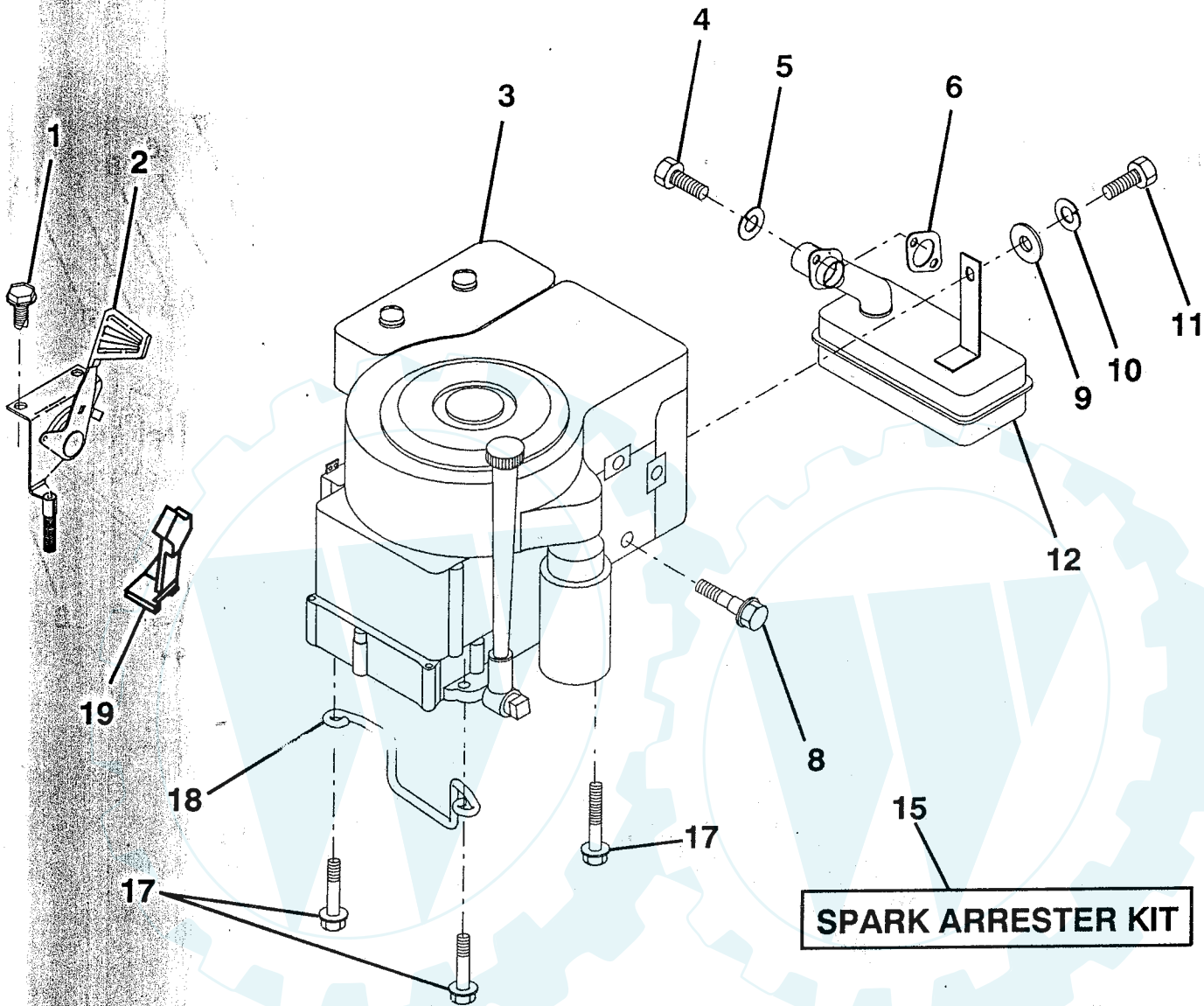
HARDWARE SHOWN LARGER FOR EASIER IDENTIFICATION

Der Ersatzteilspezialist im Internet.

# REPAIR PARTS

12.5 HP 38" TRACTOR - - MODEL NUMBER FA125R38B

## ENGINE / THROTTLE



KEY PART NO.	PART NO.	DESCRIPTION
1	817720408	Screw, Hex Head, Thread Cutting 1/4-20 x 1/2
2	532133025	Control, Throttle
3		* Engine, Briggs and Stratton, Model Number 286707
4	871070512	Screw, Hex Cap Head 5/16-18 x 3/4
5	810040500	Washer, Lock, Heavy Helical Spring 5/16
6	532125593	Gasket, Exhaust
7	873220500	Nut, Hex, Fin. 5/16-18
8	532121094	Bolt, Shoulder 5/16
9	819101216	Washer 5/16 x 3/4 x 16
10	810040400	Washer, Lock, Heavy Helical Spring 1/4

KEY PART NO.	PART NO.	DESCRIPTION
11	874760412	Bolt, Hex, Fin. 1/4-20 UNC x 1
12	532137437	Muffler
15	532137180	Arrester, Spark (Optional Equipment)
17	817490624	Screw, Hex Washer Head, Thd., Roll. 3/8-16 x 1-1/2
18	532126636	Keeper, Ground Drive Belt
19	532127951	Stop, Throttle

\*Order from Briggs & Stratton Corporation

**NOTE:** All component dimensions given in U.S. inches  
1 inch = 25.4 mm

HARDWARE SHOWN LARGER FOR EASIER IDENTIFICATION

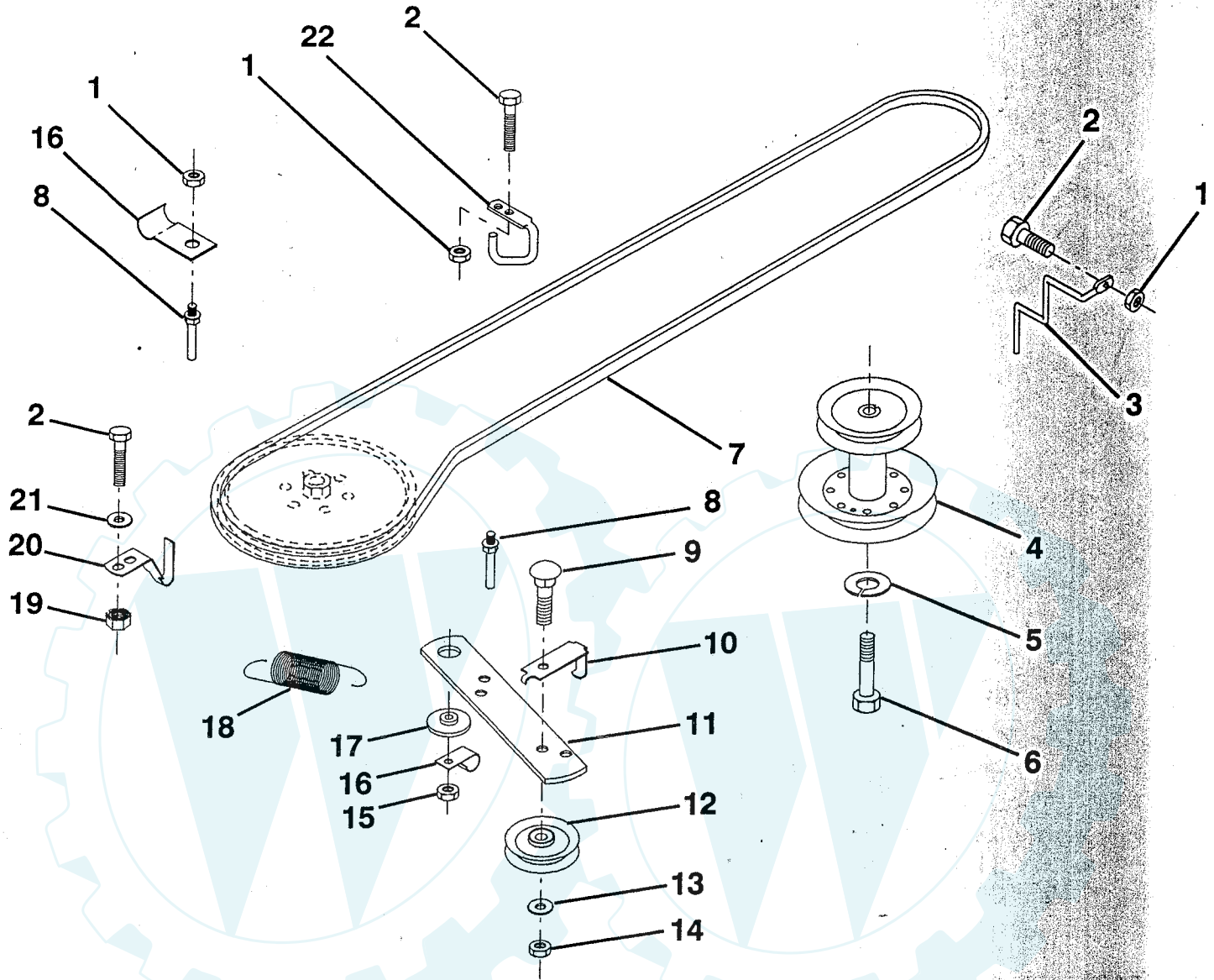
Der Ersatzteilspezialist im Internet.

# REPAIR PARTS

[www.ersatzteil-service.de](http://www.ersatzteil-service.de)

12.5 HP 38" TRACTOR - - MODEL NUMBER FA125R38B

## GROUND DRIVE



**KEY PART NO. NO.**

**DESCRIPTION**

1	873680500	Nut, Crownlock 5/16-18
2	874760512	Bolt, Hex Head 5/16-18 UNC x 3/4
3	532132946	Keeper, Mower Drive Belt, R.H.
4	532135036	Pulley, Engine
5	810040700	Washer, Lock 7/16
6	871130748	Bolt, Hex Head, Fin. 7/16-20 UNF x 3
7	532126520	Traction, V-Belt Drive
8	532123405	Keeper, T/A, Ground Drive Belt
9	872140612	Bolt, Carriage 3/8-16 UNC x 1-1/2
10	532123396	Keeper, Belt, Ground Drive Idler
11	532123395	Clutch Arm, Ground Drive
12	532004859	Idler, Flat

**KEY PART NO. NO.**

**DESCRIPTION**

13	819131316	Washer 13/32 x 13/16 x 16 Gauge
14	873930600	Nut, Centerlock 3/8-16 UNC
15	873680600	Nut, Crownlock 3/8-16 UNC
16	532126471	Clip, Insulated
17	532122052	Spacer, Retainer
18	532131459	Spring, Extension
19	873510500	Nut, Hex, Keps 5/16-18 UNC
20	532123891	Keeper, T/A, Ground Drive Belt
21	819111016	Washer 11/32 x 5/8 x 16 Gauge
22	532123404	Keeper, Chassis, Ground Drive Belt

**NOTE:** All component dimensions given in U.S. inches  
1 inch = 25.4 mm

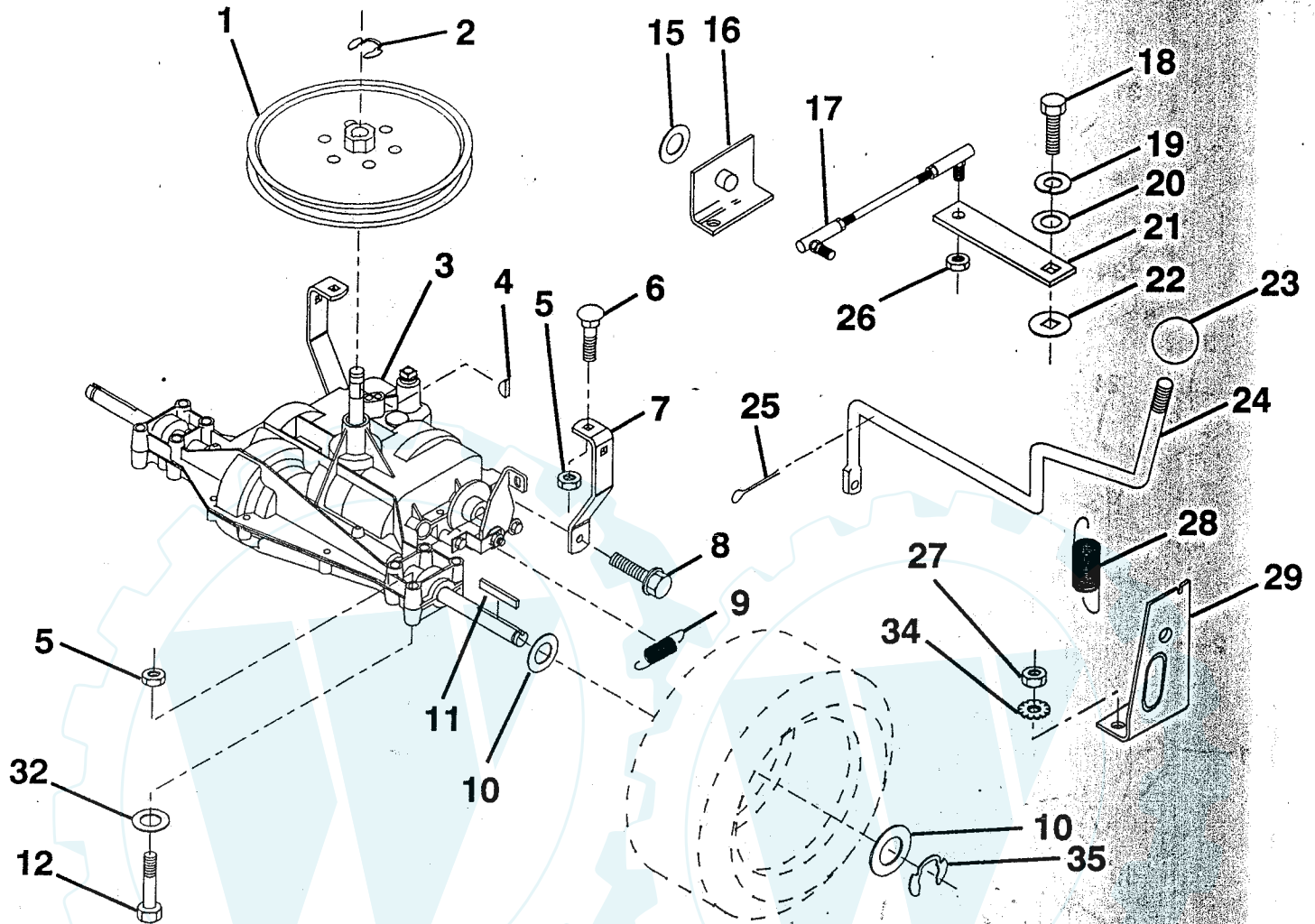
HARDWARE SHOWN LARGER FOR EASIER IDENTIFICATION

# REPAIR PARTS

[www.ersatzteil-service.de](http://www.ersatzteil-service.de)

## 12.5 HP 38" TRACTOR -- MODEL NUMBER FA125R38B

### TRANSAXLE



#### KEY PART NO. NO.

#### DESCRIPTION

1	532123385	Pulley
2	812000028	Ring, Retainer
3	-----	Transaxle, Peerless, 6 Speed, Model Number 930-028
4	532125096	Key, Woodruff #9
5	873680500	Nut, Crownlock 5/16-18
6	872140506	Bolt, Carriage 5/16-18 UNC x 3/4
7	532123378	Strap, Torque
8	817490512	Screw 5/16-18 x 3/4
9	532110422	Spring, Brake
10	532121749	Washer 25/32 x 1-1/4 x 16 Gauge
11	532123583	Key, Square
12	874760540	Bolt, Hex, Fin. 5/16-18 x 2-1/2
15	819171616	Washer 17/32 x 1 x 16 Gauge
16	532124600	Support, Shift Handle, L.H.
17	532126293	Link, Shift
18	871040412	Bolt, Hex Head, Fin. 1/4-28 UNF x 3/4 Grade 8

#### KEY PART NO. NO.

#### DESCRIPTION

19	810040400	Washer, Lock 1/4
20	819091210	Washer 9/32 x 3/4 x 10 Gauge
21	532126292	Arm, Shift
22	532105701	Washer, Shift Plate
23	532106933	Knob, Round
24	532128215	Rod, Shift
25	876020416	Pin, Cotter 1/8 x 1
26	873810500	Nut, Hex, Nylon 5/16-24 UNF
27	873510500	Nut, Hex, Keps 5/16-18
28	532128085	Spring, Extension
29	532128084	Support, Shift Handle, R.H.
32	819111116	Washer 11/32 x 11/16 x 16 Gauge
34	811050500	Washer, Lock, External Tooth 5/16
35	812000001	E-Ring

**NOTE:** All component dimensions given in U.S. inches  
1 inch = 25.4 mm

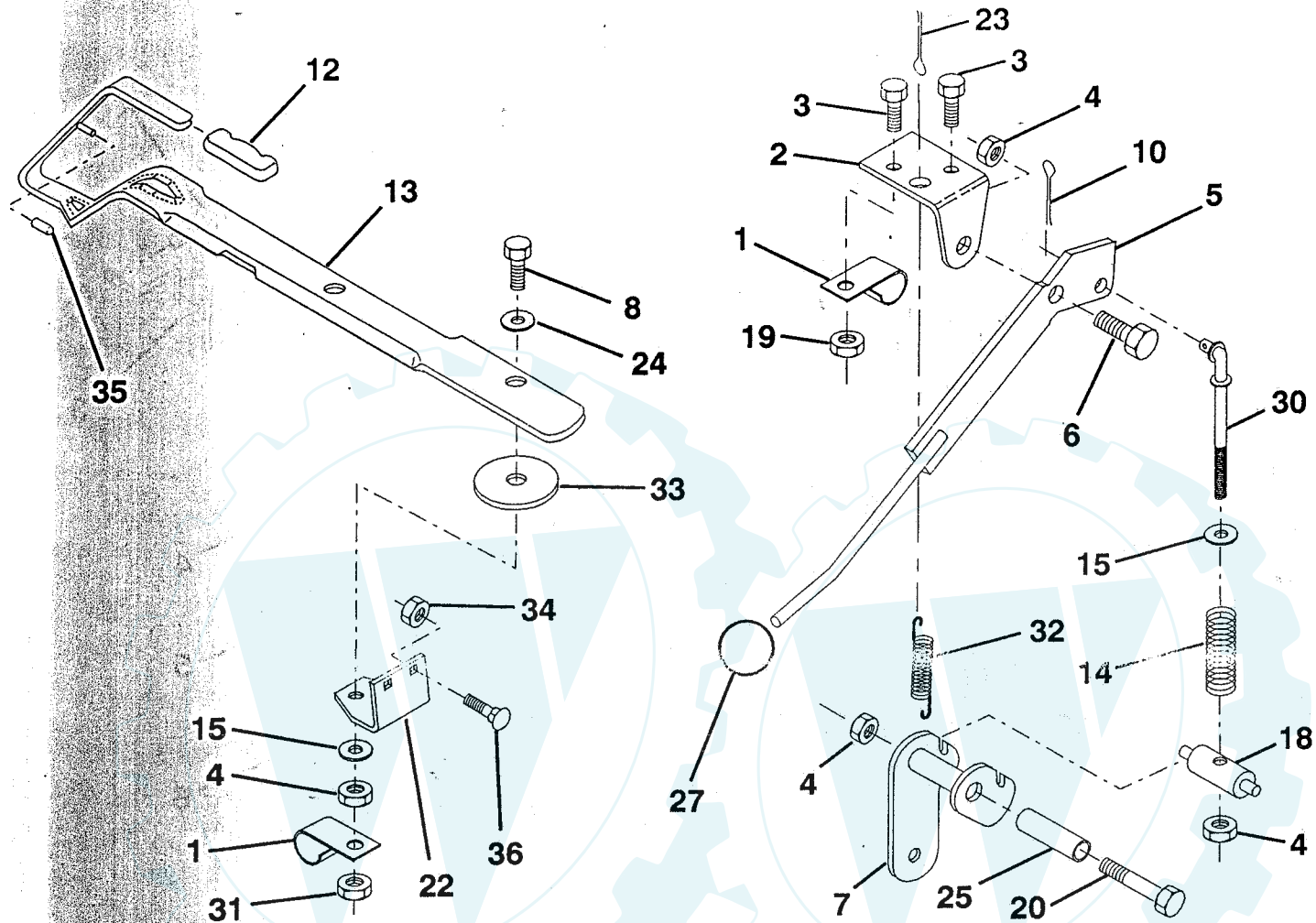
HARDWARE SHOWN LARGER FOR EASIER IDENTIFICATION

Der Ersatzteilspezialist im Internet.

# REPAIR PARTS

12.5 HP 38" TRACTOR -- MODEL NUMBER FA125R38B

## MOWER LIFT LEVER



**KEY PART NO. NO.**

**DESCRIPTION**

1	532126470	Clip, Insulated
2	532122018	Bracket, Mower Clutch
3	874780408	Bolt, Hex Head, Fin. 1/4-20 UNC x 1/2 Grade 5
4	873680600	Nut, Crownlock 3/8-16 UNC
5	532132552	Assembly, Clutch Lever
6	532106451	Bolt, Shoulder
7	532135110	Assembly, Mower Clutch Arm
8	874930624	Bolt, Hex Head 3/8-16 UNC x 1-1/2
10	876020412	Pin, Cotter 1/8 x 3/4
12	532122027	Handle, Lift Lever
13	532136658	Assembly, Lift Handle
14	532133939	Spring, Compression
15	819131616	Washer 13/32 x 1 x 11 Gauge
18	532135107	Trunnion, Threaded 3/8-16
19	873680400	Nut, Crownlock 1/4-20

**KEY PART NO. NO.**

**DESCRIPTION**

20	874760644	Bolt, Hex Head, Fin. 3/8-16 UNC x 2-3/4
22	532132561	Bracket, Lift Lever
23	876020312	Pin, Cotter 3/32 x 3/4
24	532007672	Washer 25/64 x 1-1/4 x 12 Gauge
25	532121933	Tube, Spacer
27	532106932	Knob
30	532135039	Rod, Tension, Clutch
31	873930600	Nut, Centerlock
32	532133435	Spring, Extension, Return
33	819133808	Washer 13/32 x 2-3/8 x 8 Gauge
34	873680500	Nut, Crownlock 5/16-18
35	532133603	Cap, Vinyl, Red
36	872140506	Bolt, Carriage 5/16-18 x 3/4

**NOTE:** All component dimensions given in U.S. inches  
1 inch = 25.4 mm

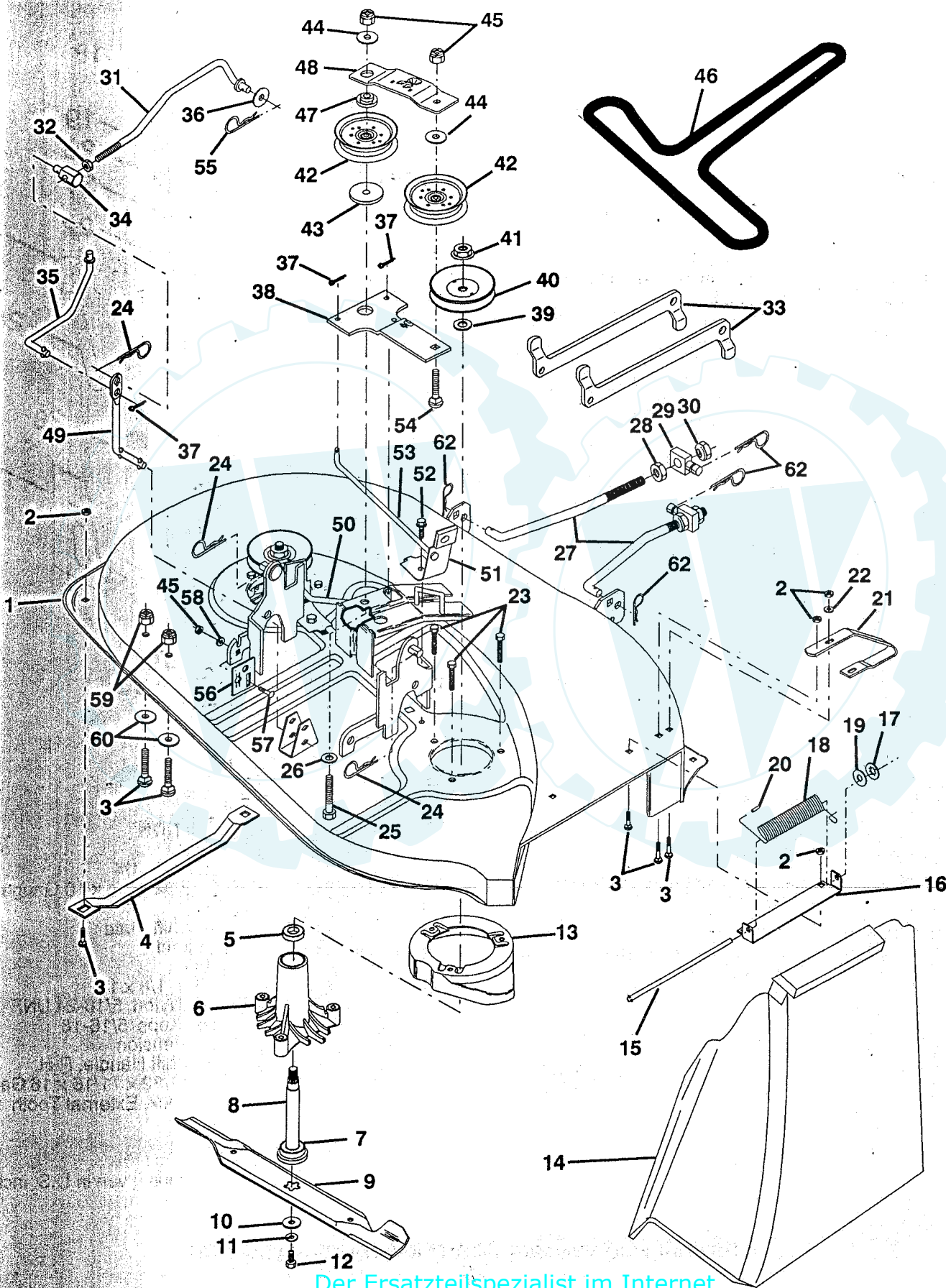
HARDWARE SHOWN LARGER FOR EASIER IDENTIFICATION

Der Ersatzteilspezialist im Internet.

# REPAIR PARTS

12.5 HP 38" TRACTOR - - MODEL NUMBER FA125R38B

## MOWER DECK



Der Ersatzteilspezialist im Internet.

# REPAIR PARTS

[www.ersatzteil-service.de](http://www.ersatzteil-service.de)

## 12.5 HP 38" TRACTOR - - MODEL NUMBER FA125R38B

### MOWER DECK

KEY PART NO. NO.	DESCRIPTION	KEY PART NO. NO.	DESCRIPTION
1 532138356	Mower Deck Assembly	34 532133604	Trunnion 3/8-16
2 873680500	Nut, Crownlock 5/16-18	35 532132554	Clutch Rod, Secondary
3 872140506	Bolt, Carriage 5/16-18 x 3/4	36 819131316	Washer 13/32 x 13/16 x 16 Gauge
4 532125074	Runner, L.H.	37 876020312	Pin, Cotter 3/32 x 3/4
5 532110485	Bearing	38 532133840	Idler Arm
6 532128774	Housing, Mandrel	39 532129963	Washer .150 Thick
7 532129895	Bearing	40 532129206	Pulley, Mandrel
8 532137645	Shaft and Bearing Assembly, Mandrel (Includes Key Number 7)	41 532137266	Nut, Flangelock 9/16
9 532138497	Blade, High Performance	42 532131494	Pulley, Flat Idler
10 532129962	Washer, Hardened	43 532122052	Spacer, Retainer
11 810030600	Washer, Lock 3/8	44 819131612	Washer 13/32 x 1 x 12 Gauge
12 532850857	Bolt, Hex 3/8-24 x 1-1/4 Grade 8	45 873680600	Nut, Crownlock 3/8-16
13 532136929	Stripper, Mower, Vented	46 532131290	Belt
14 532106736	Shield, Deflector	47 532133502	Spacer, Idler Arm
15 532106735	Rod, Hinge	48 532133503	Stiffener, Idler Arm
16 532137607	Bracket Assembly, Deflector	49 532133551	Rod, Pivot
17 532110452	Pushnut	50 532131289	Rod, Brake, L.H.
18 532106734	Spring, Deflector	51 532130840	Brake Assembly
19 819111016	Washer 11/32 x 5/8 x 16 Gauge	52 817490512	Screw, Hex Washer Head, Thd., Roll. 5/16-18 x 3/4
20 532105304	Cap, Sleeve	53 532131288	Rod, Brake, R.H.
21 532128772	Runner, R.H.	54 872110614	Bolt, Carriage 3/8-16 x 1-3/4 Grade 5
22 819111216	Washer 11/32 x 3/4 x 16 Gauge	55 532124788	Spring, Retainer
23 532078158	Bolt, Hex Head 5/16-18 x 1-1/4	56 536136782	Plate Adj. Link, Rear
24 532124670	Retainer, Spring	57 872140606	Bolt 3/8-16
25 874600636	Bolt, Carriage 3/8-16 x 2-1/4	58 819131212	Washer 13/32 x 3/4 x 12 Ga.
26 819131612	Washer 13/32 x 1 x 12 Gauge	59 873800500	Locknut, Hex W/ins 5/16-18
27 532132256	Link Assembly, Front	60 819111112	Washer 11/32 x 11/16 x 16 Ga.
28 873350800	Nut, Hex, Jam 1/2-13 UNC	62 532124660	Spring Retainer
29 532130171	Trunnion	-- 532130794	Mandrel Assembly (Includes Key Numbers 5-8, 10-12, 39 and 41)
30 873800800	Locknut with Washer Insert 1/2-13 UNC	-- 532138422	Mower Deck, Complete
31 532132553	Clutch Rod, Primary		
32 873350600	Nut, Hex, Jam 3/8-16		
33 532132559	Arm, Suspension, Rear		

**NOTE:** All component dimensions given in U.S. inches  
1 inch = 25.4 mm

HARDWARE SHOWN LARGER FOR EASIER IDENTIFICATION

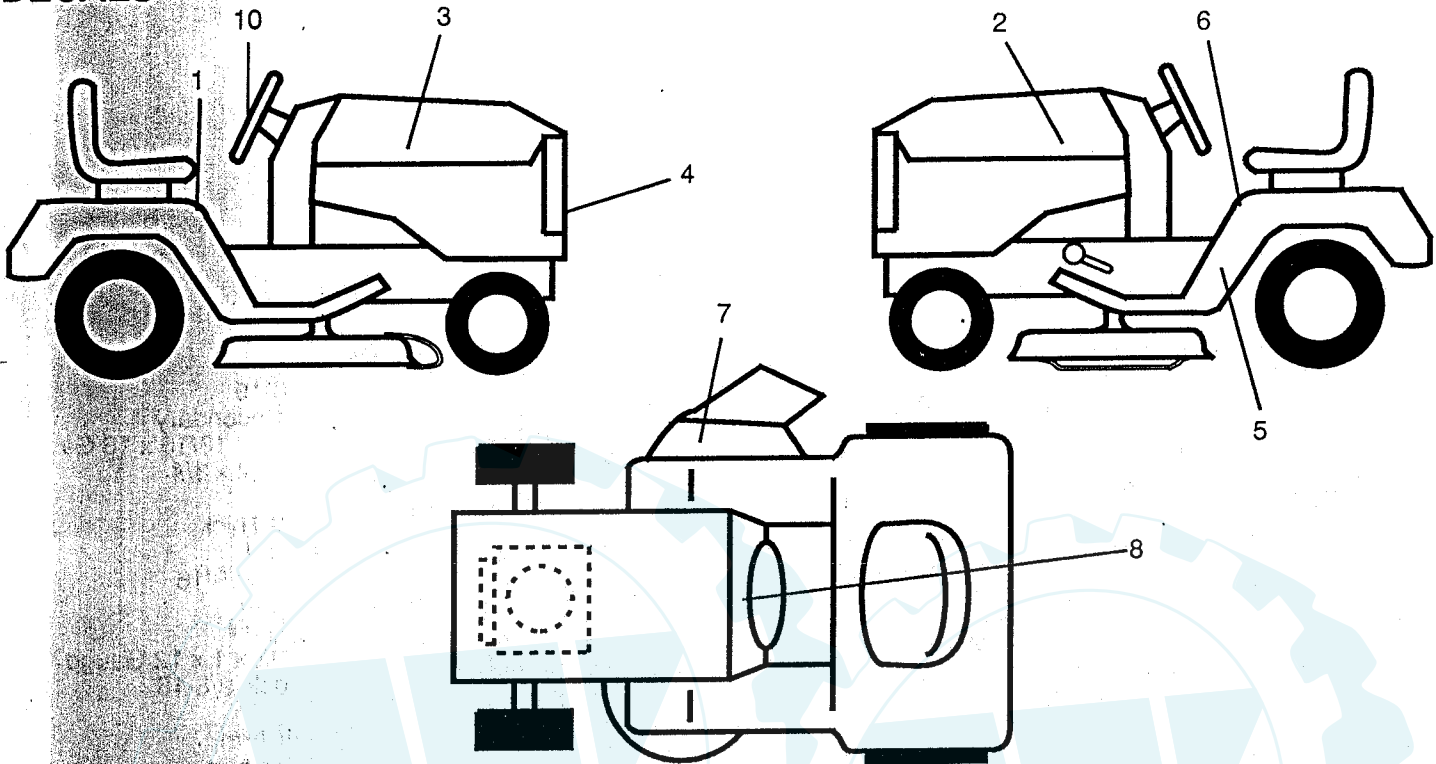
Der Ersatzteilspesialist im Internet.



# REPAIR PARTS

12.5 HP 38" TRACTOR - - MODEL NUMBER FA125R38B

## DECALS

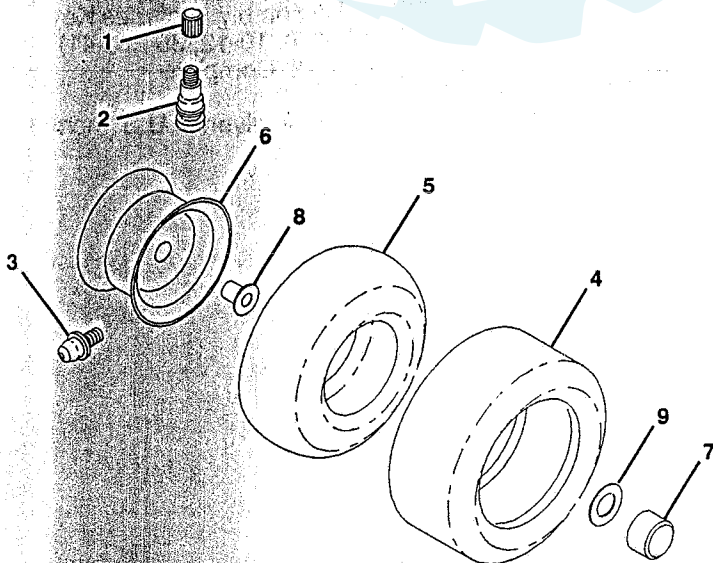


KEY PART NO.	NO.	DESCRIPTION
1	532126712	Decal, Instruction Oper
2	532136955	Decal, Hood, L.H.
3	532136956	Decal, Hood, R.H.
4	532126429	Decal, Logo, Grill
5	532135073	Decal, Mower Deck Height Indicator

KEY PART NO.	NO.	DESCRIPTION
6	532133796	Decal, Caution
7	532137259	Decal, Danger
8	532124433	Decal, 80 DBA
10	532136897	Decal, Steering Wheel
--	532139413	Manual, Operator's
--	532139208	Manual, Repair Parts

Available Accessories:  
CER38 Grasscatcher

## WHEELS



KEY PART NO.	NO.	DESCRIPTION
1	532059192	Cap, Valve
2	532065139	Stem, Valve
3	532124957	Fitting, Grease
4	532132696	Tire, Front
	532132703	Tire, Rear
5	532059904	Tube, Front Tire (Not Supplied)
	532008134	Tube, Rear Tire (Not Supplied)
6	532124809	Rim, Front
	532124805	Rim, Rear
7	532104757	Cap, Axle, Front and Rear
8	532124959	Bearing, Flange (Front only)
9	532121748	Washer 35/32 x 1-5/8

NOTE: All component dimensions given in U.S. inches  
1 inch = 25.4 mm

HARDWARE SHOWN LARGER FOR EASIER IDENTIFICATION