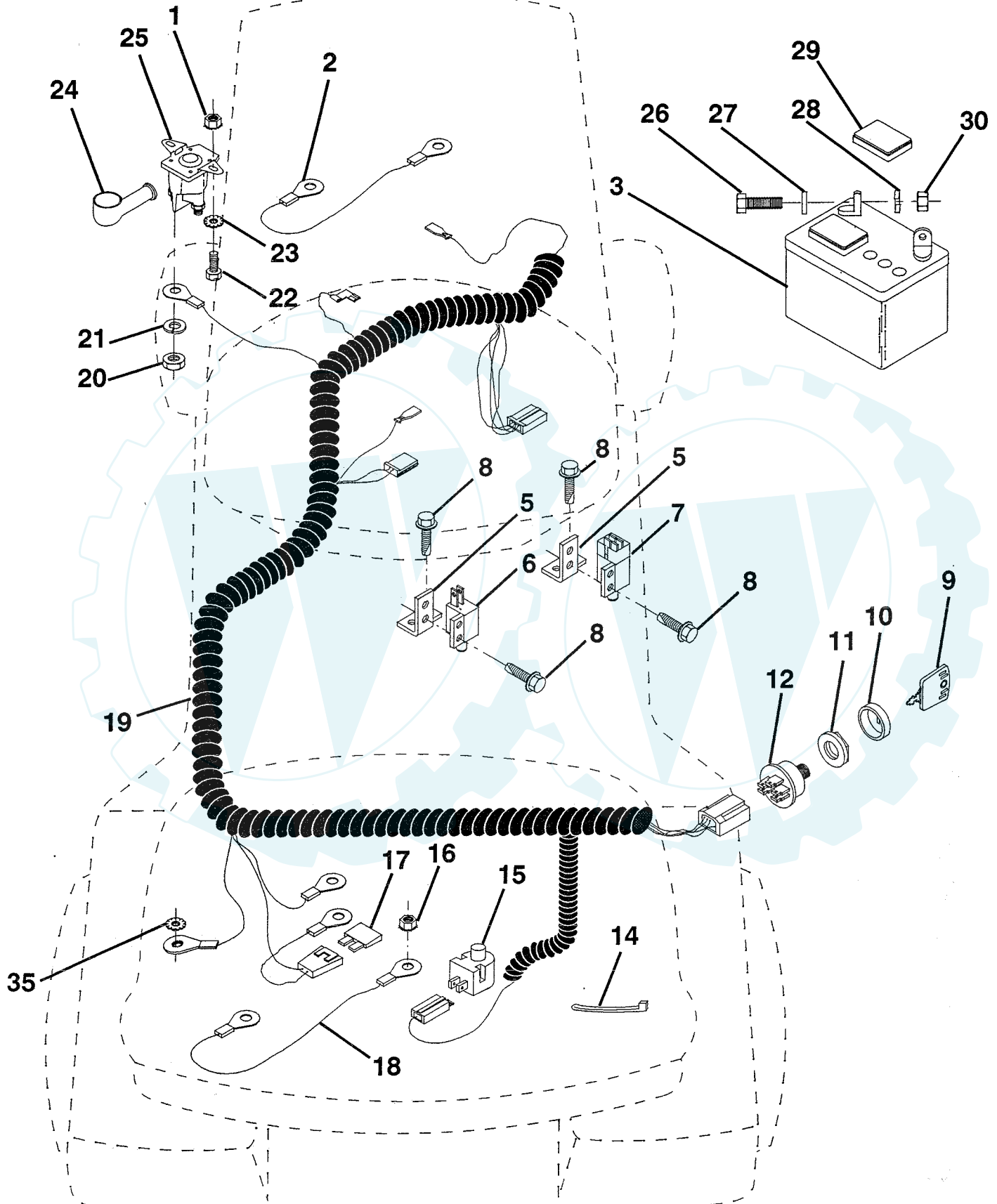


# REPAIR PARTS

[www.ersatzteil-service.de](http://www.ersatzteil-service.de)

10.5 HP 36" TRACTOR - - MODEL NUMBER FA10536A

## ELECTRICAL



# REPAIR PARTS

[www.ersatzteil-service.de](http://www.ersatzteil-service.de)

10.5 HP 36" TRACTOR - - MODEL NUMBER FA10536A

## ELECTRICAL

| KEY PART NO. | NO.       | DESCRIPTION                                      |
|--------------|-----------|--|
| 1            | 873510400 | Nut, Hex, Keps 1/4-20                            |
| 2            | 532108423 | Assembly, Cable                                  |
| 3            | 532133909 | Battery  |
| 5            | 532108236 | Bracket, Switch                                  |
| 6            | 532104445 | Switch, Interlock, 2 Terminal                    |
| 7            | 532109553 | Switch, Interlock, 4 Terminal                    |
| 8            | 817021008 | Screw, Hex Head, Tapping<br>#10-24 x 1/2         |
| 9            | 532122147 | Key, Molded                                      |
| 10           | 532123620 | Cover, Ignition Key                              |
| 11           | 532124211 | Nut, Ignition                                    |
| 12           | 532125104 | Switch, Ignition                                 |
| 14           | 532124756 | Tie, Cable                                       |
| 15           | 532121305 | Switch, Plunger                                  |
| 16           | 873510500 | Nut, Hex, Keps 5/16-18                           |
| 17           | 532108824 | Fuse   |
| 18           | 532128353 | Assembly, Cable                                  |
| 19           | 532132223 | Harness, Ignition                                |
| 20           | 873350400 | Nut, Hex, Jam 1/4-20                             |
| 21           | 810090400 | Washer, Lock 1/4                                 |
| 22           | 874780408 | Bolt, Hex Head, Fin.<br>1/4-20 UNC x 1/2 Grade 5 |
| 23           | 811050400 | Washer, Lock, External Tooth 1/4                 |
| 24           | 532131563 | Cover, Terminal                                  |
| 25           | 532109081 | Solenoid   |
| 26           | 874760412 | Bolt, Hex Head 1/4-20 UNC x 3/4                  |
| 27           | 819091016 | Washer 9/32 x 5/8 x 16 Gauge                     |
| 28           | 810040400 | Washer, Lock 1/4                                 |
| 29           | 532121264 | Cap, Battery                                     |
| 30           | 873220400 | Nut, Hex, Fin. 1/4-20 UNC                        |
| 35           | 811050600 | Washer, Lock, External Tooth 3/8                 |

**NOTE:** All component dimensions given in U.S. inches  
1 inch = 25.4 mm

HARDWARE SHOWN LARGER FOR EASIER IDENTIFICATION

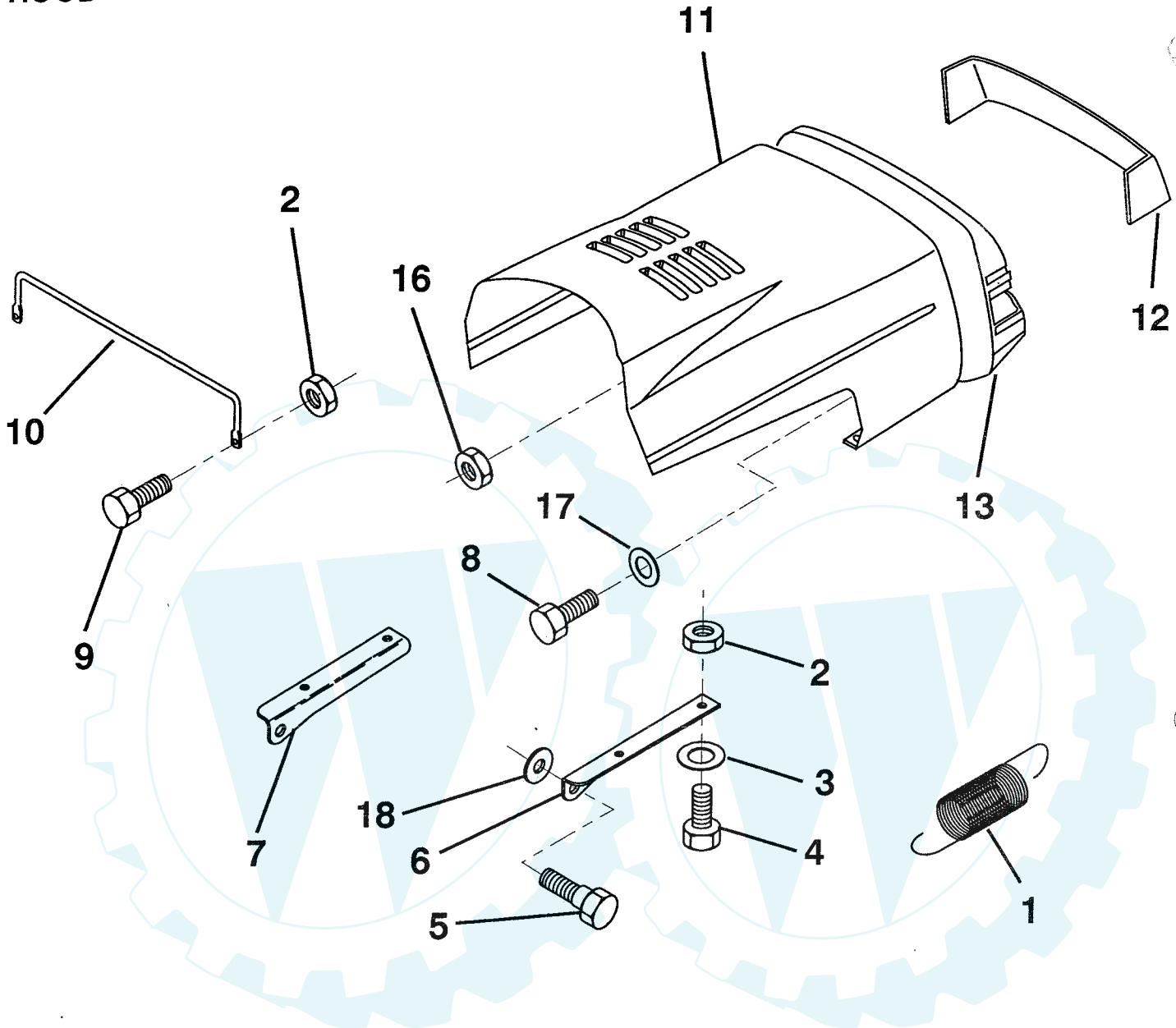
[Der Ersatzteilspezialist im Internet.](http://www.ersatzteil-service.de)

# REPAIR PARTS

[www.ersatzteil-service.de](http://www.ersatzteil-service.de)

10.5 HP 36" TRACTOR - - MODEL NUMBER FA10536A

## HOOD



### KEY PART NO. NO.

### DESCRIPTION

|   |           |   |
|---|-----------|---|
| 1 | 532124657 | Spring, Extension                             |
| 2 | 873510400 | Nut, Hex, Keps 1/4-20                         |
| 3 | 819091016 | Washer 9/32 x 5/8 x 16 Gauge                  |
| 4 | 874780410 | Bolt, Hex Head, Fin. 1/4-20 UNC x 5/8 Grade 5 |
| 5 | 532126675 | Bolt, Shoulder                                |
| 6 | 532122549 | Bracket, Hood, R.H.                           |
| 7 | 532122548 | Bracket, Hood, L.H.                           |
| 8 | 817411310 | Screw, Hex Head, Fin. #13-16 Hi-Lo x 5/8      |
| 9 | 874780412 | Bolt, Hex Head, Fin. 1/4-20 x 3/4 Grade 5     |

### KEY PART NO. NO.

### DESCRIPTION

|    |           |                                      |
|----|-----------|--------------------------------------|
| 10 | 532123693 | Brace, Hood                          |
| 11 | 532125388 | Hood                                 |
| 12 | 532125403 | Lens, Plate, Grill                   |
| 13 | 532123705 | Grill                                |
| 16 | 532124346 | Nut, Washer Head, Self-Threading 1/4 |
| 17 | 819091216 | Washer 9/32 x 3/4 x 16 Gauge         |
| 18 | 819111116 | Washer 11/32 x 11/16 x 16 Gauge      |

**NOTE:** All component dimensions given in U.S. inches.  
1 inch = 25.4 mm

HARDWARE SHOWN LARGER FOR EASIER IDENTIFICATION

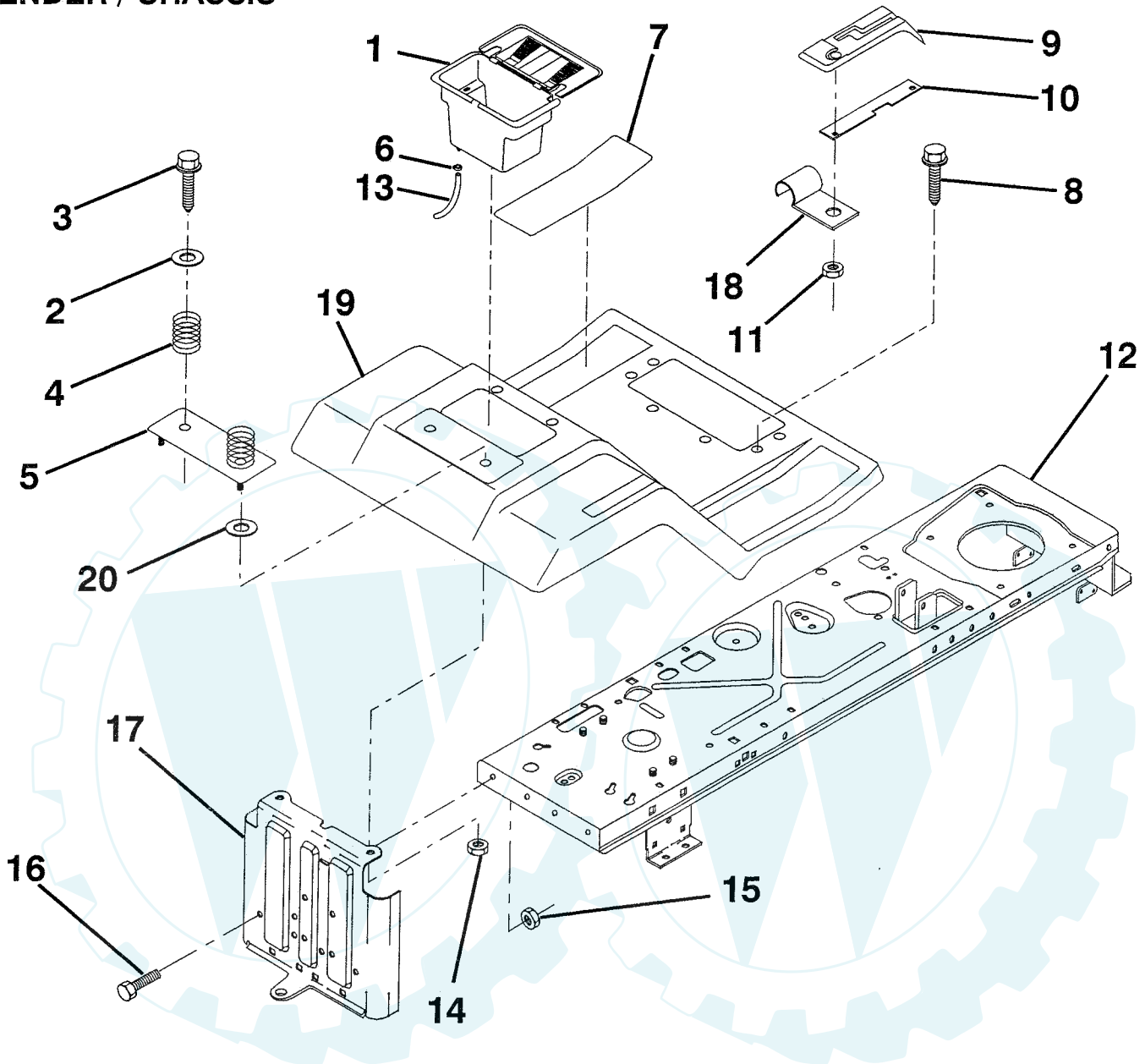
Der Ersatzteilspezialist im Internet.

# REPAIR PARTS

[www.ersatzteil-service.de](http://www.ersatzteil-service.de)

10.5 HP 36" TRACTOR - - MODEL NUMBER FA10536A

## FENDER / CHASSIS



### KEY PART NO. NO.

### DESCRIPTION

|    |           |   |
|----|-----------|---|
| 1  | 532129965 | Case, Battery                                     |
| 2  | 819132012 | Washer 13/32 x 1-1/4 x 12 Gauge                   |
| 3  | 817490612 | Screw, Hex Washer Head, Thd., Roll. 3/8-16 x 3/4  |
| 4  | 532124181 | Spring, Compression, Seat                         |
| 5  | 532125152 | Plate Assembly, Battery                           |
| 6  | 532109596 | Clamp, Hose                                       |
| 7  | 532124144 | Pad, Footrest                                     |
| 8  | 817490512 | Screw, Hex Washer Head, Thd., Roll. 5/16-18 x 3/4 |
| 9  | 532126997 | Console, Shift Control                            |
| 10 | 532124602 | Bar, Shift Lock                                   |

### KEY PART NO. NO.

### DESCRIPTION

|    |           |                                       |
|----|-----------|---------------------------------------|
| 11 | 532124346 | Nut, Self-Threading, Washer Head 3/16 |
| 12 | 532133384 | Assembly, Chassis                     |
| 13 | 532105687 | Tube, Battery Drain                   |
| 14 | 873510400 | Nut, Hex, Keps 1/4-20                 |
| 15 | 873680500 | Nut, Crownlock 5/16-18                |
| 16 | 874760512 | Bolt, Hex Head 5/16-18 UNC x 3/4      |
| 17 | 532127880 | Drawbar                               |
| 18 | 532126470 | Clip, Insulated                       |
| 19 | 532125151 | Fender/Footrest                       |
| 20 | 819091413 | Washer 9/32 x 7/8 x 13 Gauge          |

**NOTE:** All component dimensions given in U.S. inches  
1 inch = 25.4 mm

HARDWARE SHOWN LARGER FOR EASIER IDENTIFICATION

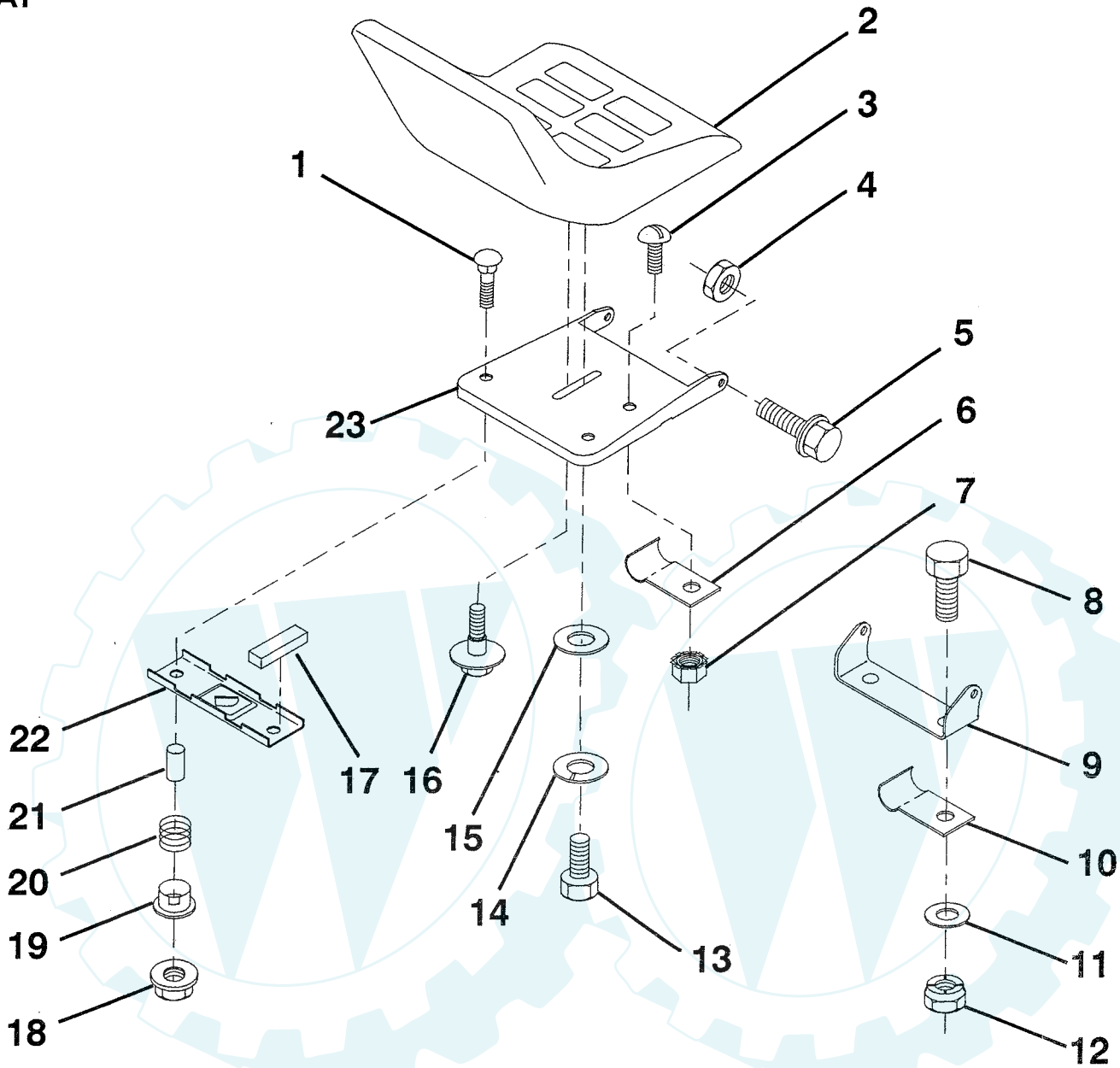
Der Ersatzteilspesialist im Internet.

# REPAIR PARTS

[www.ersatzteil-service.de](http://www.ersatzteil-service.de)

10.5 HP 36" TRACTOR - - MODEL NUMBER FA10536A

## SEAT



| KEY PART NO. NO. | DESCRIPTION                          |
|------------------|--------------------------------------|
| 1 872050411      | Bolt, Carriage 1/4-20 x 1-3/8        |
| 2 532127423      | Seat                                 |
| 3 874641008      | Screw, Slotted Pan Head #10-32 x 1/2 |
| 4 873680500      | Nut, Crownlock 5/16-18               |
| 5 532105529      | Bolt, Shoulder 5/16-18 UNC           |
| 6 532124967      | Clip, Insulated                      |
| 7 873951000      | Nut, Hex, Keps #10-32 UNF            |
| 8 874760612      | Bolt, Hex, Fin. 3/8-16 UNC x 3/4     |
| 9 532126656      | Bracket, Pivot, Seat                 |
| 10 532126471     | Clip, Insulated                      |
| 11 819131210     | Washer 12/32 x 3/4 x 10 Gauge        |
| 12 873680600     | Nut, Crownlock 3/8-16 UNC            |

| KEY PART NO. NO. | DESCRIPTION                                   |
|------------------|---|
| 13 874780814     | Bolt, Hex Head, Fin. 1/2-13 UNC x 7/8 Grade 5 |
| 14 810040800     | Washer, Lock, Heavy Helical Spring            |
| 15 819171912     | Washer 17/32 x 1-3/16 x 12 Gauge              |
| 16 532127018     | Bolt, Shoulder                                |
| 17 532121251     | Strip, Foam                                   |
| 18 532123976     | Locknut, Hex, Flange, Large                   |
| 19 532121248     | Bushing, Snap                                 |
| 20 532121250     | Spring, Compression                           |
| 21 532121249     | Spacer, Split, Large .28 Id. x .88            |
| 22 532121246     | Bracket, Switch, Mounting                     |
| 23 532131451     | Pan, Seat                                     |

**NOTE:** All component dimensions given in U.S. inches  
1 inch = 25.4 mm

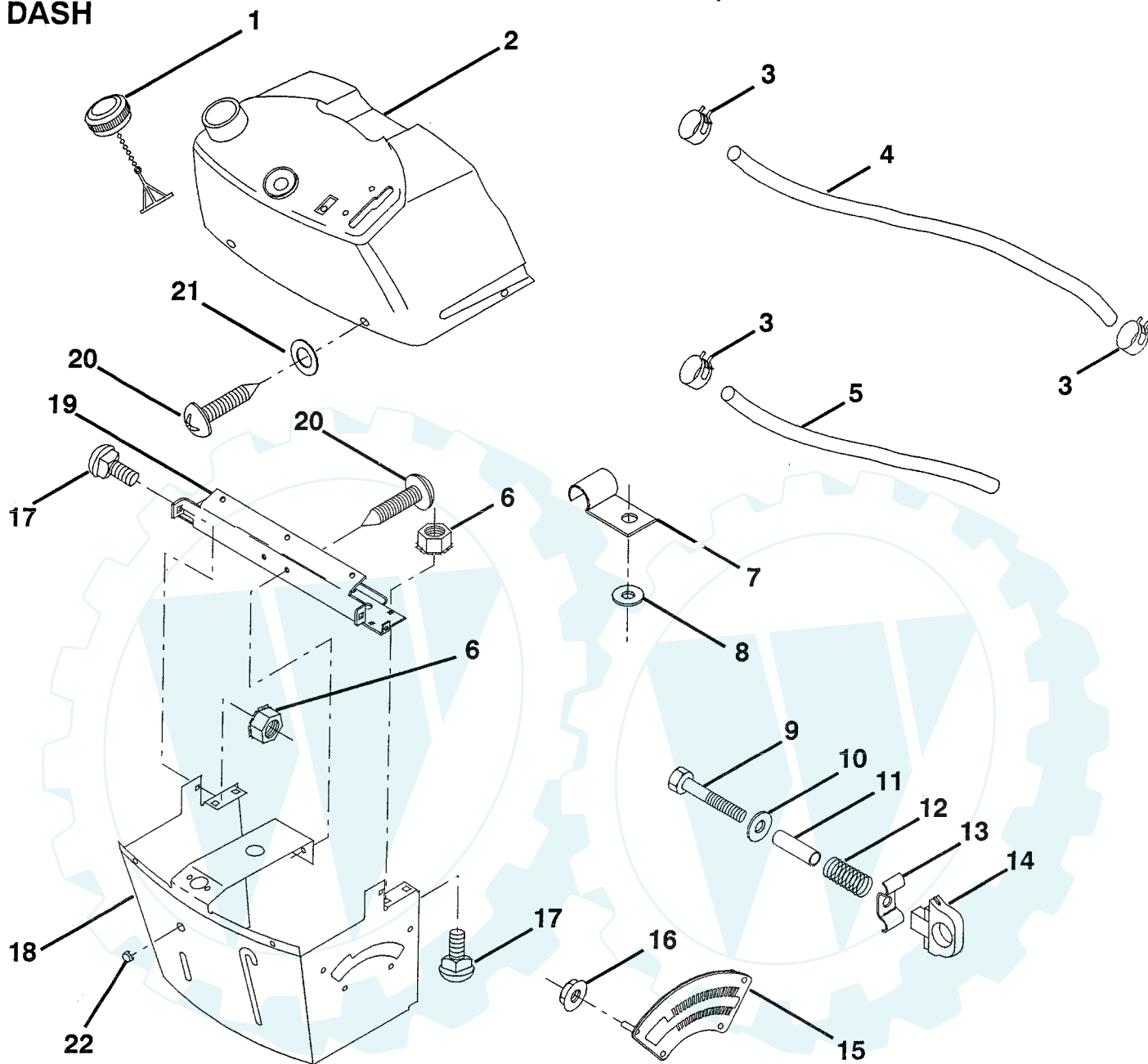
HARDWARE SHOWN LARGER FOR EASIER IDENTIFICATION

# REPAIR PARTS

[www.ersatzteil-service.de](http://www.ersatzteil-service.de)

## 10.5 HP 36" TRACTOR - - MODEL NUMBER FA10536A

### DASH



#### KEY PART NO. NO.

#### DESCRIPTION

|    |           |                                     |
|----|-----------|-------------------------------------|
| 1  | 532122015 | Cap, Fuel                           |
| 2  | 532130913 | Dash and Fuel Tank Assembly         |
| 3  | 532123487 | Clamp, Hose                         |
| 4  | 532008544 | Line, Fuel                          |
| 5  | 532008548 | Line, Fuel                          |
| 6  | 873510400 | Nut, Hex, Keps 1/4-20               |
| 7  | 532124996 | Clip, Fuel Line                     |
| 8  | 819091216 | Washer 9/32 x 3/4 x 16 Gauge        |
| 9  | 874760428 | Bolt, Hex Head, Fin. 1/4-20 x 1-3/4 |
| 10 | 819091413 | Washer 11/32 x 11/16 x 16 Gauge     |
| 11 | 532121249 | Spacer, Split                       |
| 12 | 532003720 | Spring                              |

#### KEY PART NO. NO.

#### DESCRIPTION

|    |           |                                     |
|----|-----------|-------------------------------------|
| 13 | 532126450 | Clip, Height Adjustment             |
| 14 | 532126115 | Knob, Height Stop                   |
| 15 | 532122023 | Adjustment, Quadrant Height         |
| 16 | 532124346 | Nut, Self-Threading 3/16-18         |
| 17 | 872110404 | Bolt, Carriage 1/4-20 x 1/2 Grade 5 |
| 18 | 532130745 | Support Assembly, Dash              |
| 19 | 532134744 | Brace, Cross                        |
| 20 | 818000408 | Screw, Self-Tapping 1/4-20 x 1/2    |
| 21 | 819090816 | Washer 9/32 x 1/2 x 16 Gauge        |
| 22 | 532134014 | Plug, Dome Black                    |

**NOTE:** All component dimensions given in U.S. inches  
1 inch = 25.4 mm

HARDWARE SHOWN LARGER FOR EASIER IDENTIFICATION

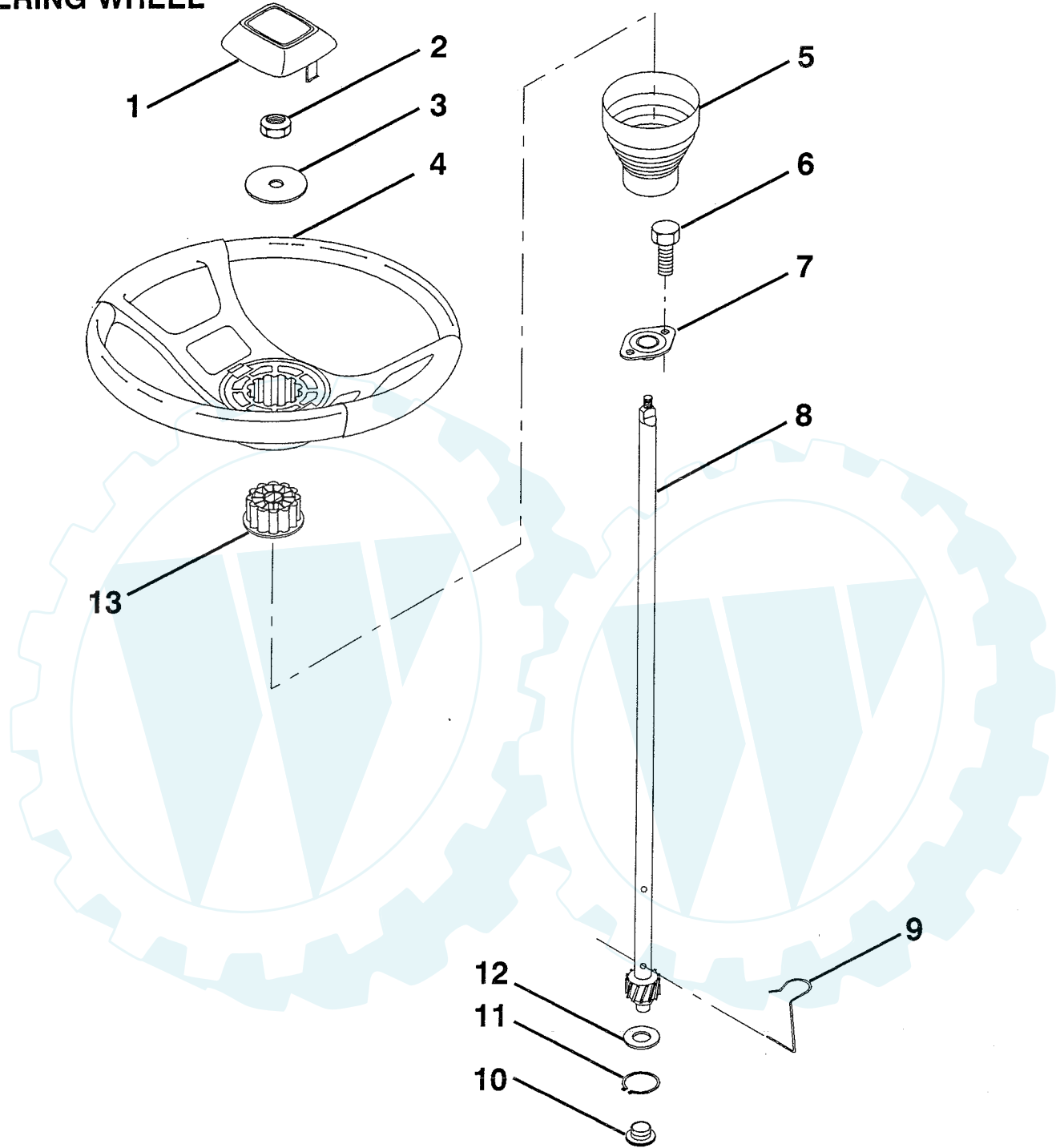
Der Ersatzteilspzialist im Internet.

# REPAIR PARTS

[www.ersatzteil-service.de](http://www.ersatzteil-service.de)

10.5 HP 36" TRACTOR - - MODEL NUMBER FA10536A

## STEERING WHEEL



### KEY PART NO. NO.

### DESCRIPTION

|   |           |                                |
|---|-----------|--------------------------------|
| 1 | 532133742 | Insert, Steering Wheel         |
| 2 | 532124701 | Locknut 3/8-24 UNF             |
| 3 | 819133808 | Washer 12/32 x 2-3/8 x 8 Gauge |
| 4 | 532133741 | Steering Wheel                 |
| 5 | 532121897 | Sleeve, Steering               |
| 6 | 817431008 | Screw, Hex #10-16 x 1/2 TY-B   |
| 7 | 532102803 | Bushing, Steering              |
| 8 | 532123651 | Shaft, Steering                |

### KEY PART NO. NO.

### DESCRIPTION

|    |           |                             |
|----|-----------|-----------------------------|
| 9  | 532124210 | Clip, Steering              |
| 10 | 532123438 | Bushing, Lower, Steering    |
| 11 | 812000045 | Ring, Retaining             |
| 12 | 819211616 | Washer 21/32 x 1 x 16 Gauge |
| 13 | 532104820 | Adaptor, Steering Wheel     |

**NOTE:** All component dimensions given in U.S. inches  
1 inch = 25.4 mm

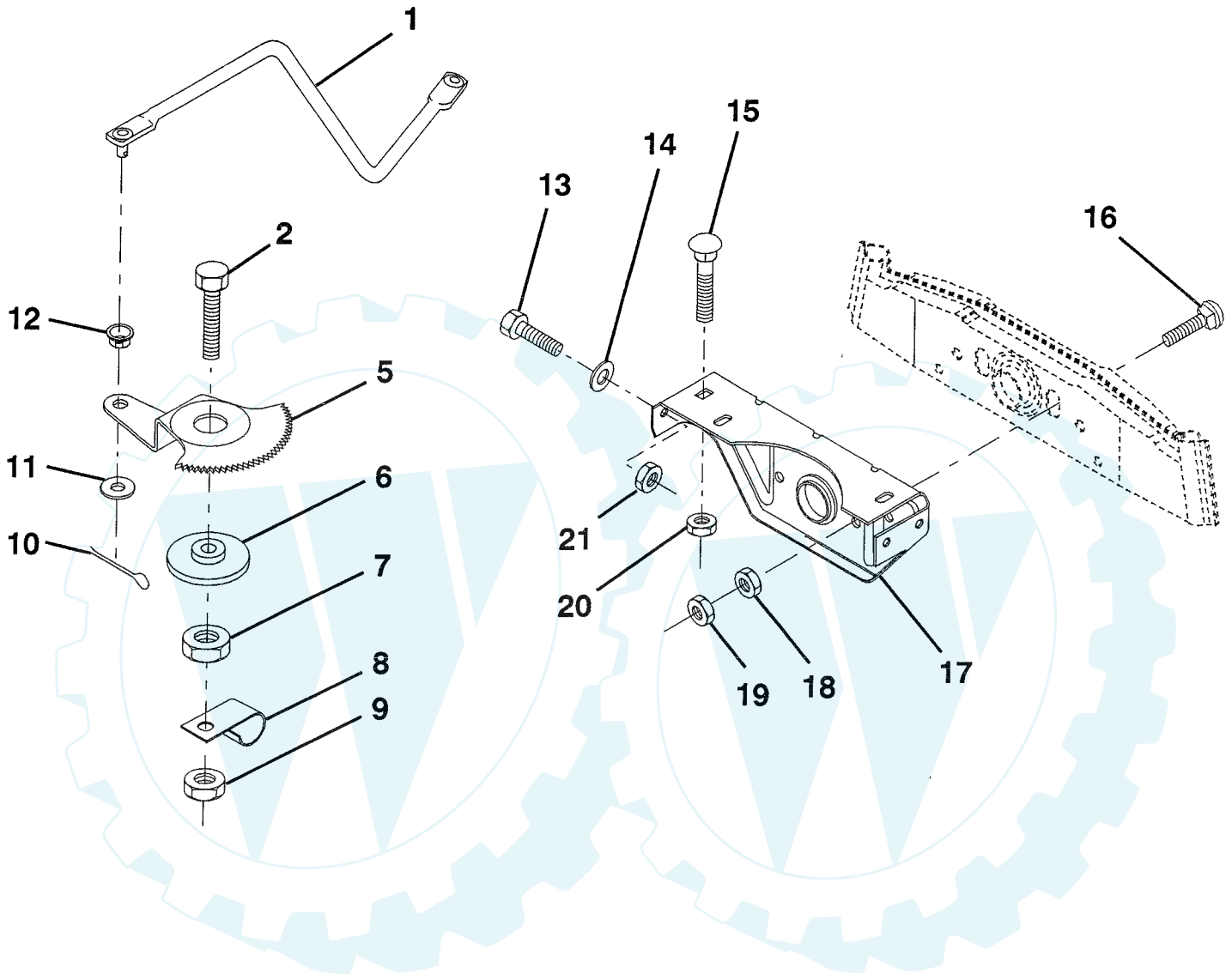
HARDWARE SHOWN LARGER FOR EASIER IDENTIFICATION

Der Ersatzteil spezialist im Internet.

# REPAIR PARTS

[www.ersatzteil-service.de](http://www.ersatzteil-service.de)

## 10.5 HP 36" TRACTOR - - MODEL NUMBER FA10536A SECTOR GEAR / AXLE SUPPORT



| KEY PART NO. NO. | DESCRIPTION                          |
|------------------|--------------------------------------|
| 1 532132566      | Link, Drag                           |
| 2 874780828      | Bolt, Hex Head, Fin. 1/2-13 x 1-3/4  |
| 5 532121926      | Gear, Sector                         |
| 6 532121927      | Bushing                              |
| 7 873030800      | Nut, Hex, Heavy, Top Lock 1/2-13 UNC |
| 8 532126472      | Clip, Insulated                      |
| 9 873680800      | Nut, Crownlock 3/8-16                |
| 10 876020412     | Pin, Cotter 1/8 x 3/4                |
| 11 819131316     | Washer 13/32 x 13/16 x 16 Gauge      |
| 12 532126847     | Bushing                              |

| KEY PART NO. NO. | DESCRIPTION                      |
|------------------|----------------------------------|
| 13 874760512     | Bolt, Hex Head 5/16-18 UNC x 3/4 |
| 14 819111416     | Washer 11/32 x 7/8 x 16 Gauge    |
| 15 872110606     | Bolt, Carriage 3/8-16 UNC x 3/4  |
| 16 872140622     | Bolt, Carriage                   |
| 17 532121912     | Support, Front Axle              |
| 18 873220600     | Nut, Hex, Fin. 3/8-16 UNC        |
| 19 873930600     | Nut, Centerlock 3/8-16 UNC       |
| 20 873680600     | Nut, Crownlock 3/8-16 UNC        |
| 21 873680500     | Nut, Crownlock 5/16-18           |

**NOTE:** All component dimensions given in U.S. inches  
1 inch = 25.4 mm

HARDWARE SHOWN LARGER FOR EASIER IDENTIFICATION

Der Ersatzteilspezialist im Internet.

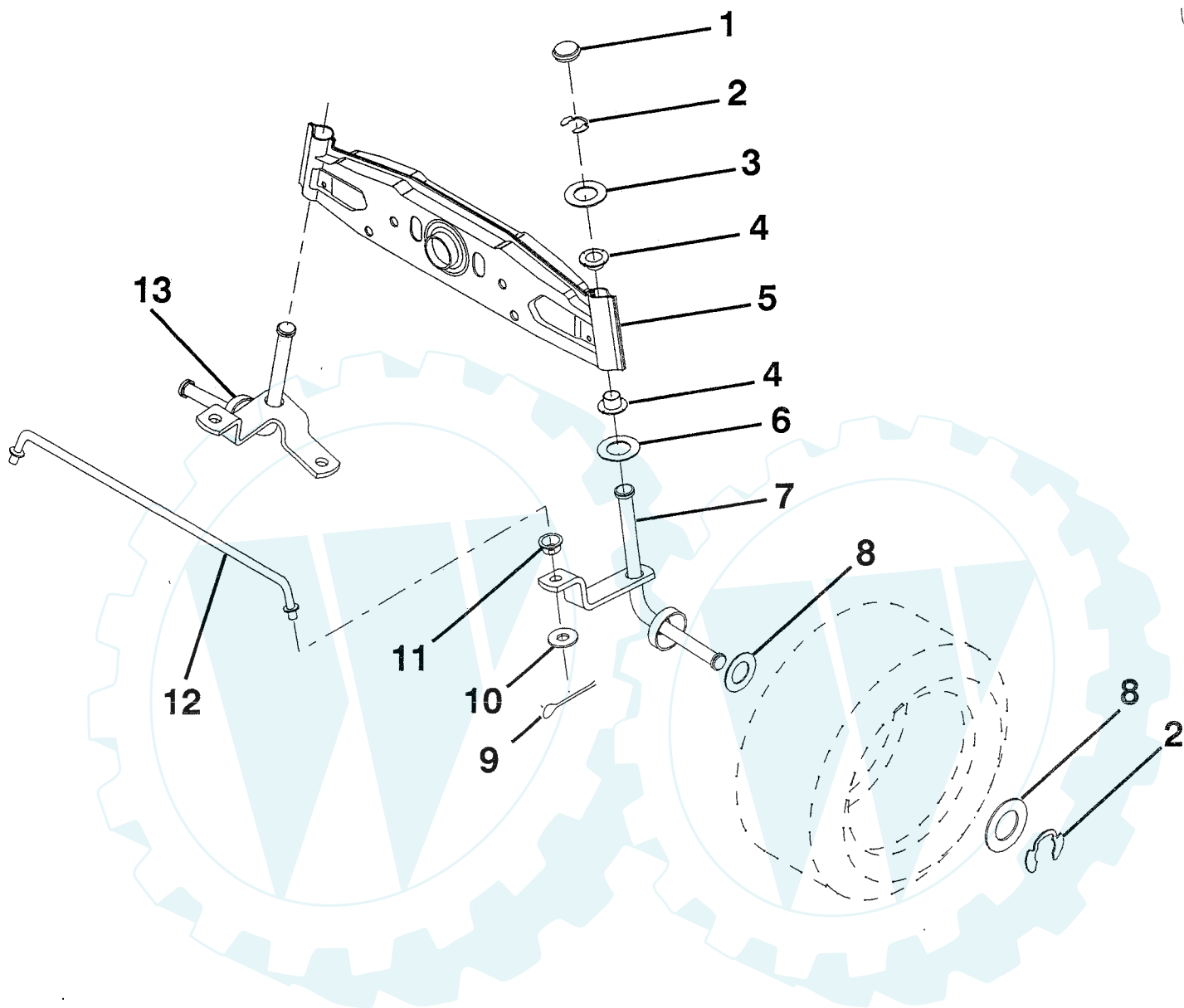


# REPAIR PARTS

[www.ersatzteil-service.de](http://www.ersatzteil-service.de)

10.5 HP 36" TRACTOR - - MODEL NUMBER FA10536A

## FRONT AXLE



### KEY PART NO. NO.

### DESCRIPTION

|   |           |                                 |
|---|-----------|---------------------------------|
| 1 | 532121232 | Cap, Spindle                    |
| 2 | 812000029 | Ring, Clip                      |
| 3 | 532121748 | Washer 25/32 x 1-5/8 x 16 Gauge |
| 4 | 532121922 | Nyliner                         |
| 5 | 532121914 | Axle, Front                     |
| 6 | 532124931 | Bearing, Thrust                 |
| 7 | 532121919 | Spindle Assembly, R.H.          |
| 8 | 532121749 | Washer 25/32 x 1-1/4 x 16 Gauge |

### KEY PART NO. NO.

### DESCRIPTION

|    |           |                                 |
|----|-----------|---------------------------------|
| 9  | 876020412 | Pin, Cotter 1/8 x 3/4           |
| 10 | 819131316 | Washer 13/32 x 13/16 x 16 Gauge |
| 11 | 532126847 | Bushing                         |
| 12 | 532121924 | Rod, Tie                        |
| 13 | 532121916 | Spindle Assembly, L.H.          |

**NOTE:** All component dimensions given in U.S. inches  
1 inch = 25.4 mm

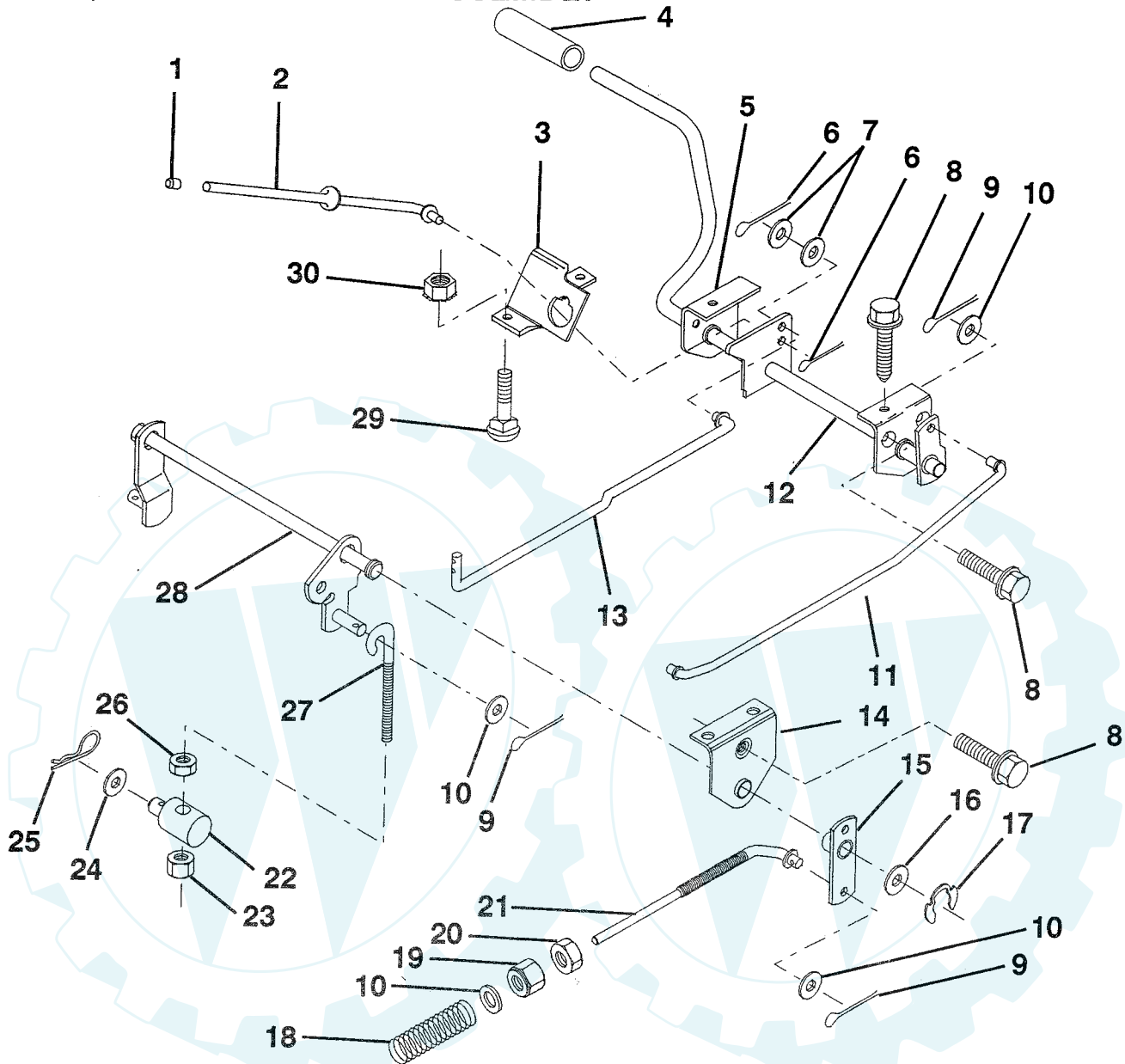
HARDWARE SHOWN LARGER FOR EASIER IDENTIFICATION

Der Ersatzteil-Spezialist im Internet.

# REPAIR PARTS

[www.ersatzteil-service.de](http://www.ersatzteil-service.de)

## 10.5 HP 36" TRACTOR - - MODEL NUMBER FA10536A BRAKE / REAR MOWER LIFT ASSEMBLY



### KEY PART

| NO. | NO.       | DESCRIPTION                                |
|-----|-----------|--|
| 1   | 532071673 | Cap, Plunger                               |
| 2   | 532123436 | Rod, Parking Brake                         |
| 3   | 532123437 | Bracket, Parking Brake                     |
| 4   | 532008156 | Cover, Pedal                               |
| 5   | 532122504 | Bracket, Clutch/Brake Pedal, L.H.          |
| 6   | 876020312 | Pin, Cotter 3/32 x 3/4                     |
| 7   | 819131016 | Washer 13/32 x 5/8 x 16 Gauge              |
| 8   | 817490508 | Screw, Hex Head, Thd., Roll. 5/16-18 x 1/2 |
| 9   | 876020412 | Pin, Cotter 1/8 x 3/4                      |
| 10  | 819131316 | Washer 13/32 x 13/16 x 16 Gauge            |
| 11  | 532123543 | Rod, Brake, Front                          |
| 12  | 532129567 | Assembly, Clutch/Brake Pedal               |
| 13  | 532123394 | Rod, Clutch                                |
| 14  | 532121978 | Bracket, Lift Shaft                        |
| 15  | 532123641 | Assembly, Brake, Pivot, Arm                |
| 16  | 819251816 | Washer 25/32 x 1-1/8 x 16 Gauge            |

### KEY PART

| NO. | NO.       | DESCRIPTION                                |
|-----|-----------|--|
| 17  | 812000034 | Ring, Klip                                 |
| 18  | 532106888 | Spring, Brake Rod                          |
| 19  | 873800600 | Locknut, Hex with Washer Insert 3/8-16 UNC |
| 20  | 873350600 | Nut, Hex, Jam 3/8-16 UNC                   |
| 21  | 532131460 | Rod, Brake, Rear                           |
| 22  | 532127378 | Trunnion, Lift                             |
| 23  | 873680600 | Nut, Crownlock 3/8-16 UNC                  |
| 24  | 819132012 | Washer 13/32 x 1-1/4 x 12 Gauge            |
| 25  | 532124961 | Spring, Retainer                           |
| 26  | 873930600 | Nut, Centerlock 3/8-16 UNC                 |
| 27  | 532127369 | Link, Threaded                             |
| 28  | 532127358 | Assembly, Rear Mower Lift                  |
| 29  | 872110506 | Bolt, Carriage 5/16-18 UNC x 3/4           |
| 30  | 873510500 | Nut, Hex, Keps 5/16-16 UNC                 |

**NOTE:** All component dimensions given in U.S. inches  
1 inch = 25.4 mm

HARDWARE SHOWN LARGER FOR EASIER IDENTIFICATION

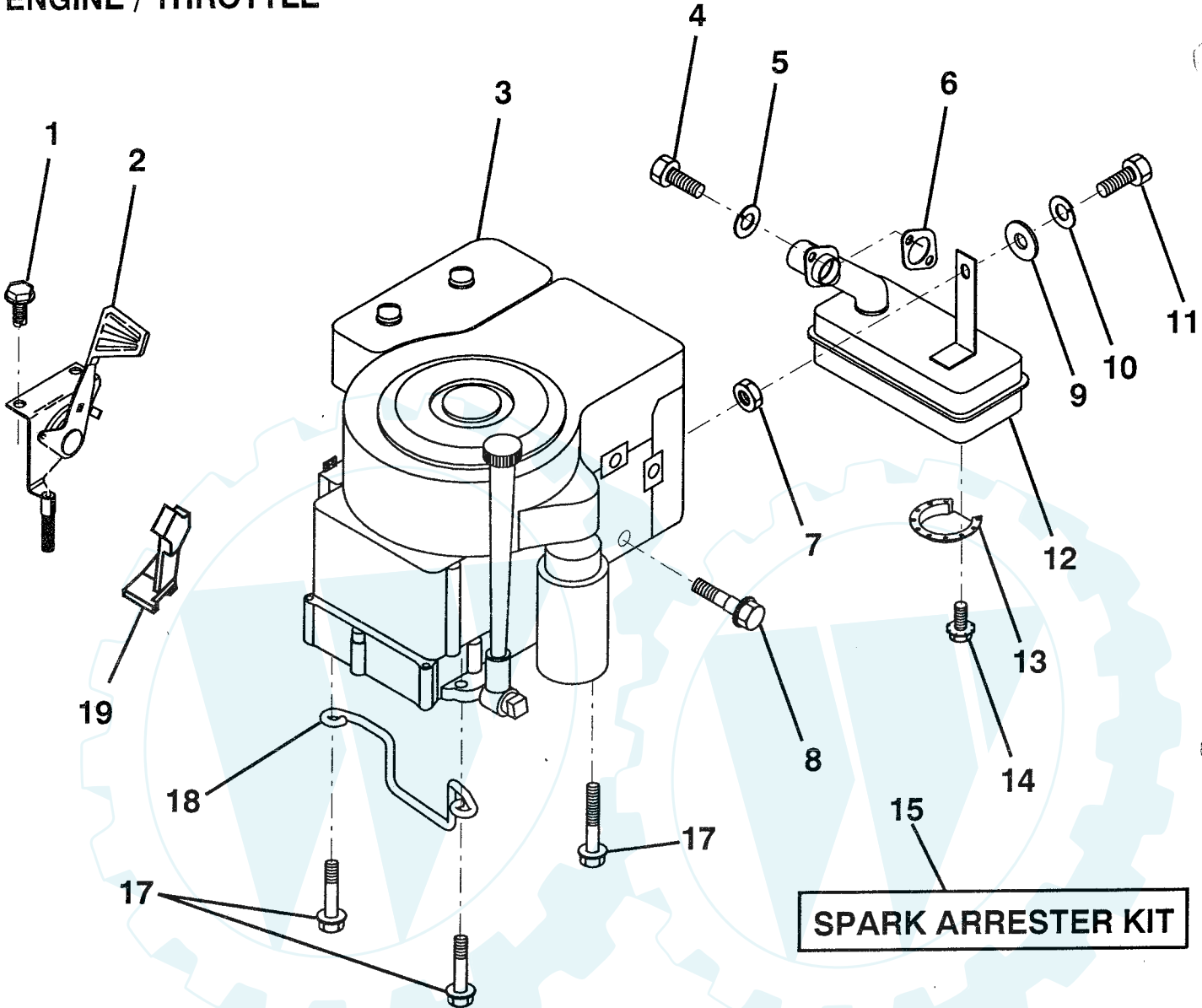
Der Ersatzteilspezialist im Internet.

# REPAIR PARTS

[www.ersatzteil-service.de](http://www.ersatzteil-service.de)

10.5 HP 36" TRACTOR - - MODEL NUMBER FA10536A

## ENGINE / THROTTLE



### KEY PART NO. NO.

### DESCRIPTION

|    |           |  |
|----|-----------|--|
| 1  | 817720408 | Screw, Hex Head, Thread Cutting 1/4-20 x 1/2       |
| 2  | 532133025 | Control, Throttle                                  |
| 3  | ---       | * Engine, Briggs and Stratton, Model Number 257707 |
| 4  | 871070512 | Screw, Hex Cap Head 5/16-18 x 3/4                  |
| 5  | 810040500 | Washer, Lock, Heavy Helical Spring 5/16            |
| 6  | 532125593 | Gasket, Exhaust                                    |
| 7  | 873220500 | Nut, Hex, Fin. 5/16-18                             |
| 8  | 532121094 | Bolt, Shoulder 5/16                                |
| 9  | 819101216 | Washer 5/16 x 3/4 x 16                             |
| 10 | 810040400 | Washer, Lock, Heavy Helical Spring 1/4             |

### KEY PART NO. NO.

### DESCRIPTION

|    |           |  |
|----|-----------|--|
| 11 | 874780416 | Bolt, Hex, Fin. 1/4-20 UNC x 1                     |
| 12 | 532123676 | Muffler  |
| 13 | 532101326 | Deflector, Muffler                                 |
| 14 | 817030808 | Screw, Spiderlock, Hex Head #8 x 1/2 ABTPS         |
| 15 | 532137180 | Arrester, Spark (Optional Equipment)               |
| 17 | 817490624 | Screw, Hex Washer Head, Thd., Roll. 3/8-16 x 1-1/2 |
| 18 | 532126636 | Keeper, Ground Drive Belt                          |
| 19 | 532127951 | Stop, Throttle                                     |

\*Order from Briggs & Stratton Corporation

**NOTE:** All component dimensions given in U.S. inches  
1 inch = 25.4 mm

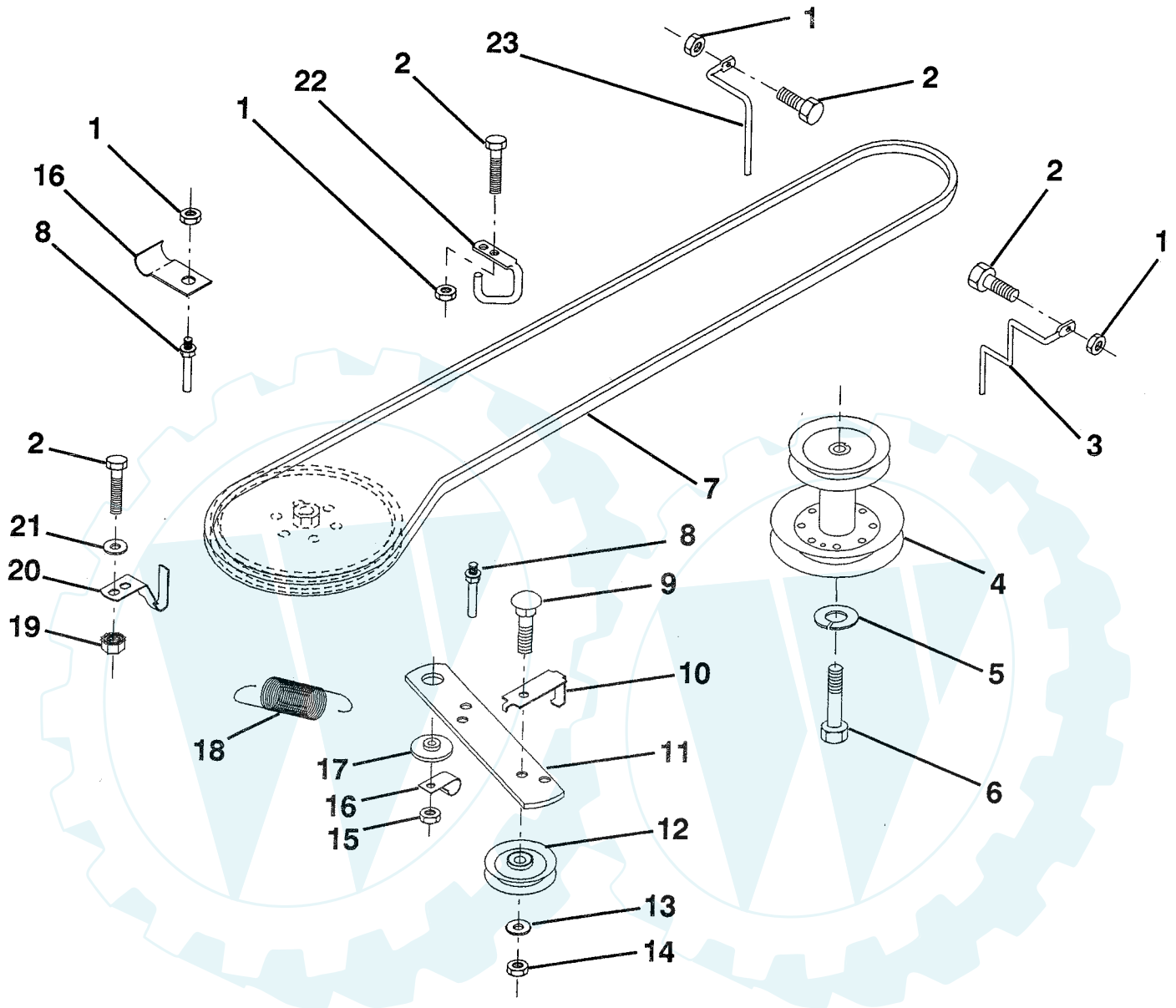
HARDWARE SHOWN LARGER FOR EASIER IDENTIFICATION

Der Ersatzteilspezialist im Internet.

# REPAIR PARTS

www.ersatzteil-service.de

## 10.5 HP 36" TRACTOR - - MODEL NUMBER FA10536A GROUND DRIVE



### KEY PART NO. NO.

### DESCRIPTION

|    |           |                                   |
|----|-----------|-----------------------------------|
| 1  | 873680500 | Nut, Crownlock 5/16-18            |
| 2  | 874760512 | Bolt, Hex Head 5/16-18 UNC x 3/4  |
| 3  | 532131205 | Keeper, Mower Drive Belt, R.H.    |
| 4  | 532134828 | Pulley, Engine                    |
| 5  | 810040700 | Washer, Lock 7/16                 |
| 6  | 871170744 | Bolt, Hex Head, Fin. 7/16-20      |
| 7  | 532126520 | Traction, V-Belt Drive            |
| 8  | 532123405 | Keeper, T/A, Ground Drive Belt    |
| 9  | 872140612 | Bolt, Carriage 3/8-16 UNC x 1-1/2 |
| 10 | 532123396 | Keeper, Belt, Ground Drive Idler  |
| 11 | 532123395 | Clutch Arm, Ground Drive          |
| 12 | 532004859 | Idler, Flat                       |
| 13 | 819131316 | Washer 13/32 x 13/16 x 16 Gauge   |

### KEY PART NO. NO.

### DESCRIPTION

|    |           |                                    |
|----|-----------|------------------------------------|
| 14 | 873930600 | Nut, Centerlock 3/8-16 UNC         |
| 15 | 873680600 | Nut, Crownlock 3/8-16 UNC          |
| 16 | 532126471 | Clip, Insulated                    |
| 17 | 532122052 | Spacer, Retainer                   |
| 18 | 532131459 | Spring, Extension                  |
| 19 | 873510500 | Nut, Hex, Keps 5/16-18 UNC         |
| 20 | 532123891 | Keeper, T/A, Ground Drive Belt     |
| 21 | 819111016 | Washer 11/32 x 5/8 x 16 Gauge      |
| 22 | 532123404 | Keeper, Chassis, Ground Drive Belt |
| 23 | 532131204 | Keeper, Mower Drive, L.H.          |

**NOTE:** All component dimensions given in U.S. inches  
1 inch = 25.4 mm

HARDWARE SHOWN LARGER FOR EASIER IDENTIFICATION

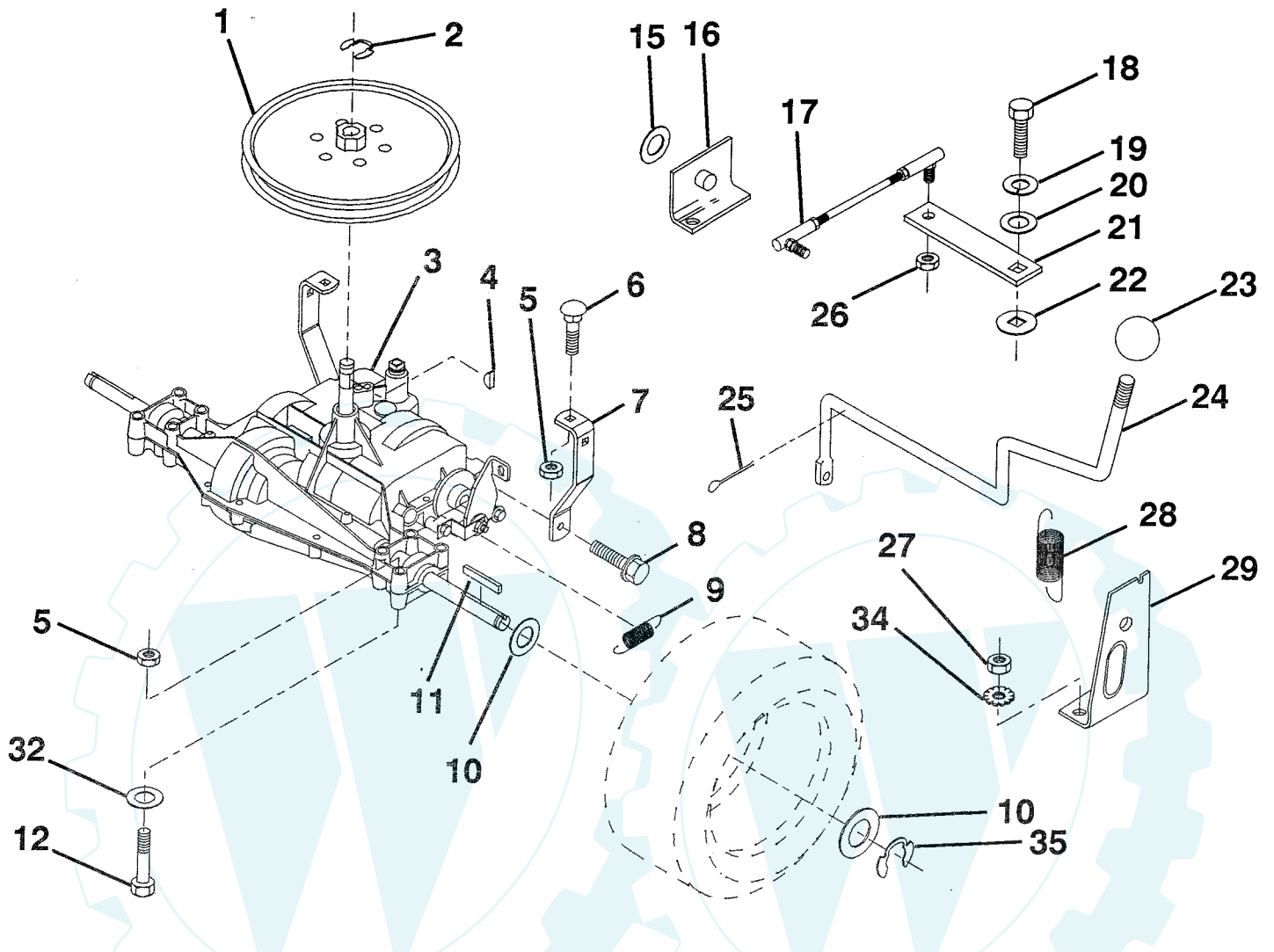
Der Ersatzteilspezialist im Internet.

# REPAIR PARTS

[www.ersatzteil-service.de](http://www.ersatzteil-service.de)

## 10.5 HP 36" TRACTOR - - MODEL NUMBER FA10536A

### TRANSAXLE



#### KEY PART NO. NO.

#### DESCRIPTION

#### KEY PART NO. NO.

#### DESCRIPTION

|    |           |  |
|----|-----------|--|
| 1  | 532123385 | Pulley   |
| 2  | 812000028 | Ring, Retainer                                     |
| 3  | - - - - - | Transaxle, Peerless, 5 Speed, Model Number 930-027 |
| 4  | 532125096 | Key, Woodruff #9                                   |
| 5  | 873680500 | Nut, Crownlock 5/16-18                             |
| 6  | 872140506 | Bolt, Carriage 5/16-18 UNC x 3/4                   |
| 7  | 532123378 | Strap, Torque                                      |
| 8  | 817490512 | Screw 5/16-18 x 3/4                                |
| 9  | 532110422 | Spring, Brake                                      |
| 10 | 532121749 | Washer 25/32 x 1-1/4 x 16 Gauge                    |
| 11 | 532123583 | Key, Square  |
| 12 | 874760540 | Bolt, Hex, Fin. 5/16-18 x 2-1/2                    |
| 15 | 819171616 | Washer 17/32 x 1 x 16 Gauge                        |
| 16 | 532124600 | Support, Shift Handle, L.H.                        |
| 17 | 532126293 | Link, Shift  |
| 18 | 871040412 | Bolt, Hex Head, Fin. 1/4-28 UNF x 3/4 Grade 8      |

|    |           |                                   |
|----|-----------|-----------------------------------|
| 19 | 810040400 | Washer, Lock 1/4                  |
| 20 | 819091210 | Washer 9/32 x 3/4 x 10 Gauge      |
| 21 | 532126292 | Arm, Shift                        |
| 22 | 532105701 | Washer, Shift Plate               |
| 23 | 532106933 | Knob, Round                       |
| 24 | 532128215 | Rod, Shift                        |
| 25 | 876020416 | Pin, Cotter 1/8 x 1               |
| 26 | 873810500 | Nut, Hex, Nylon 5/16-24 UNF       |
| 27 | 873510500 | Nut, Hex, Keps 5/16-18            |
| 28 | 532128085 | Spring, Extension                 |
| 29 | 532128084 | Support, Shift Handle, R.H.       |
| 32 | 819111116 | Washer 11/32 x 11/16 x 16 Gauge   |
| 34 | 811050500 | Washer, Lock, External Tooth 5/16 |
| 35 | 812000001 | E-Ring                            |

**NOTE:** All component dimensions given in U.S. inches  
1 inch = 25.4 mm

HARDWARE SHOWN LARGER FOR EASIER IDENTIFICATION

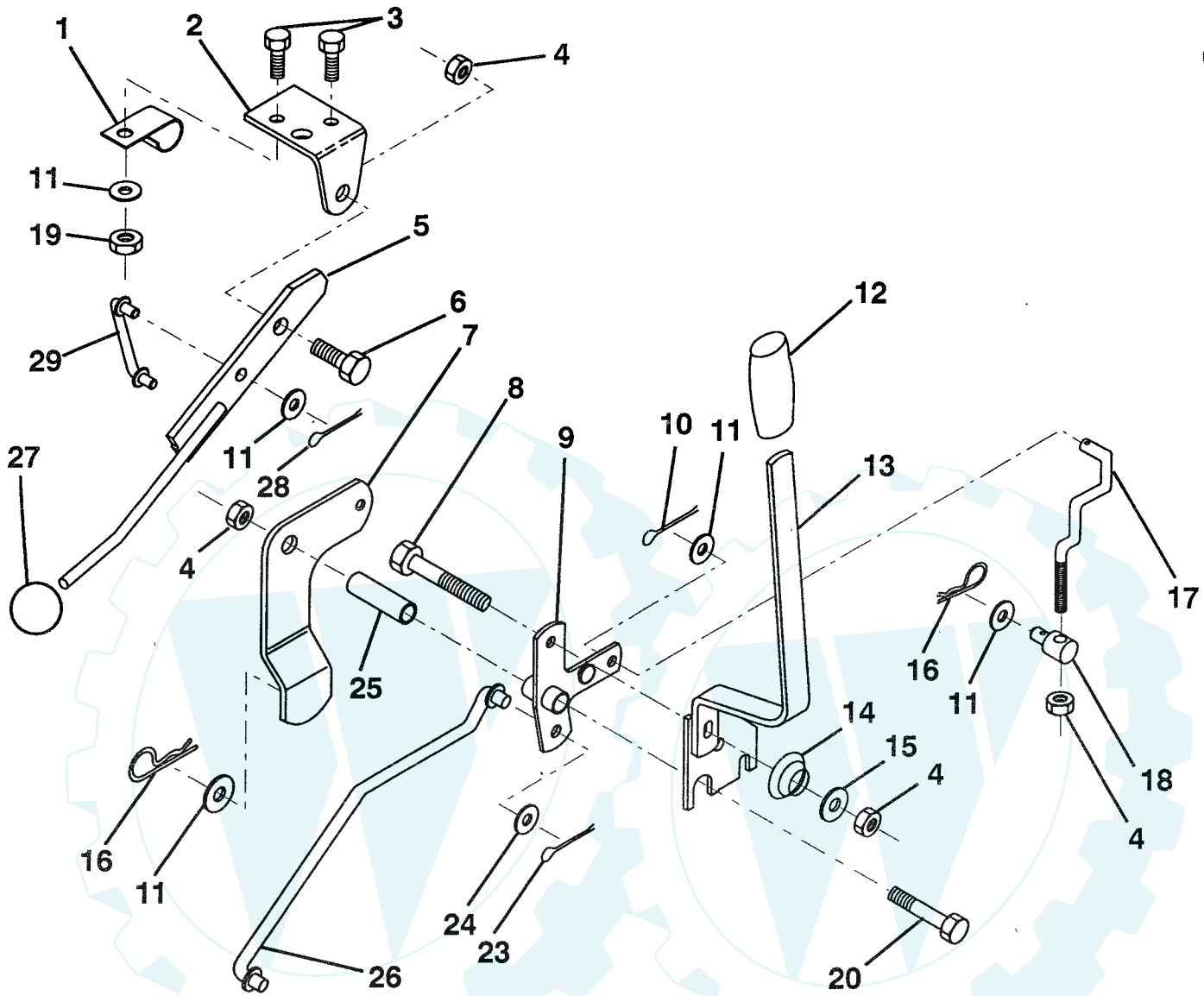
Der Ersatzteilspizialist im Internet.

# REPAIR PARTS

[www.ersatzteil-service.de](http://www.ersatzteil-service.de)

10.5 HP 36" TRACTOR - - MODEL NUMBER FA10536A

## MOWER LIFT LEVER



### KEY PART NO. NO.

### DESCRIPTION

|    |           |  |
|----|-----------|--|
| 1  | 532126470 | Clip, Insulated                                  |
| 2  | 532122018 | Bracket, Mower Clutch                            |
| 3  | 874780408 | Bolt, Hex Head, Fin.<br>1/4-20 UNC x 1/2 Grade 5 |
| 4  | 873680600 | Nut, Crownlock 3/8-16 UNC                        |
| 5  | 532123417 | Assembly, Clutch Lever                           |
| 6  | 532106451 | Bolt, Shoulder                                   |
| 7  | 532135371 | Assembly, Mower Clutch Arm                       |
| 8  | 874760636 | Bolt, Hex Head 3/8-16 UNC x 2-1/4                |
| 9  | 532121930 | Bracket, Lift Assembly                           |
| 10 | 876020412 | Pin, Cotter 1/8 x 3/4                            |
| 11 | 819131316 | Washer 13/32 x 13/16 x 16 Gauge                  |
| 12 | 532122027 | Grip, Handle                                     |
| 13 | 532127028 | Assembly, Lift Handle                            |
| 14 | 532123496 | Spring, Compression                              |
| 15 | 819131212 | Washer 13/32 x 3/4 x 12 Gauge                    |

### KEY PART NO. NO.

### DESCRIPTION

|    |           |  |
|----|-----------|--|
| 16 | 532124961 | Retainer, Spring                           |
| 17 | 532127359 | Link, Front Lift                           |
| 18 | 532133205 | Trunnion, Threaded 3/8-16                  |
| 19 | 873680400 | Nut, Crownlock 1/4-20                      |
| 20 | 874760644 | Bolt, Hex Head, Fin.<br>3/8-16 UNC x 2-3/4 |
| 23 | 876020416 | Pin, Cotter 1/8 x 1                        |
| 24 | 819171616 | Washer 17/32 x 1 x 16 Gauge                |
| 25 | 532121933 | Tube, Spacer                               |
| 26 | 532121934 | Rod, Mower Lift                            |
| 27 | 532106933 | Knob                                       |
| 28 | 876020312 | Pin, Cotter 3/32 x 3/4                     |
| 29 | 532131655 | Link, Mower Clutch                         |

**NOTE:** All component dimensions given in U.S. inches  
1 inch = 25.4 mm

HARDWARE SHOWN LARGER FOR EASIER IDENTIFICATION

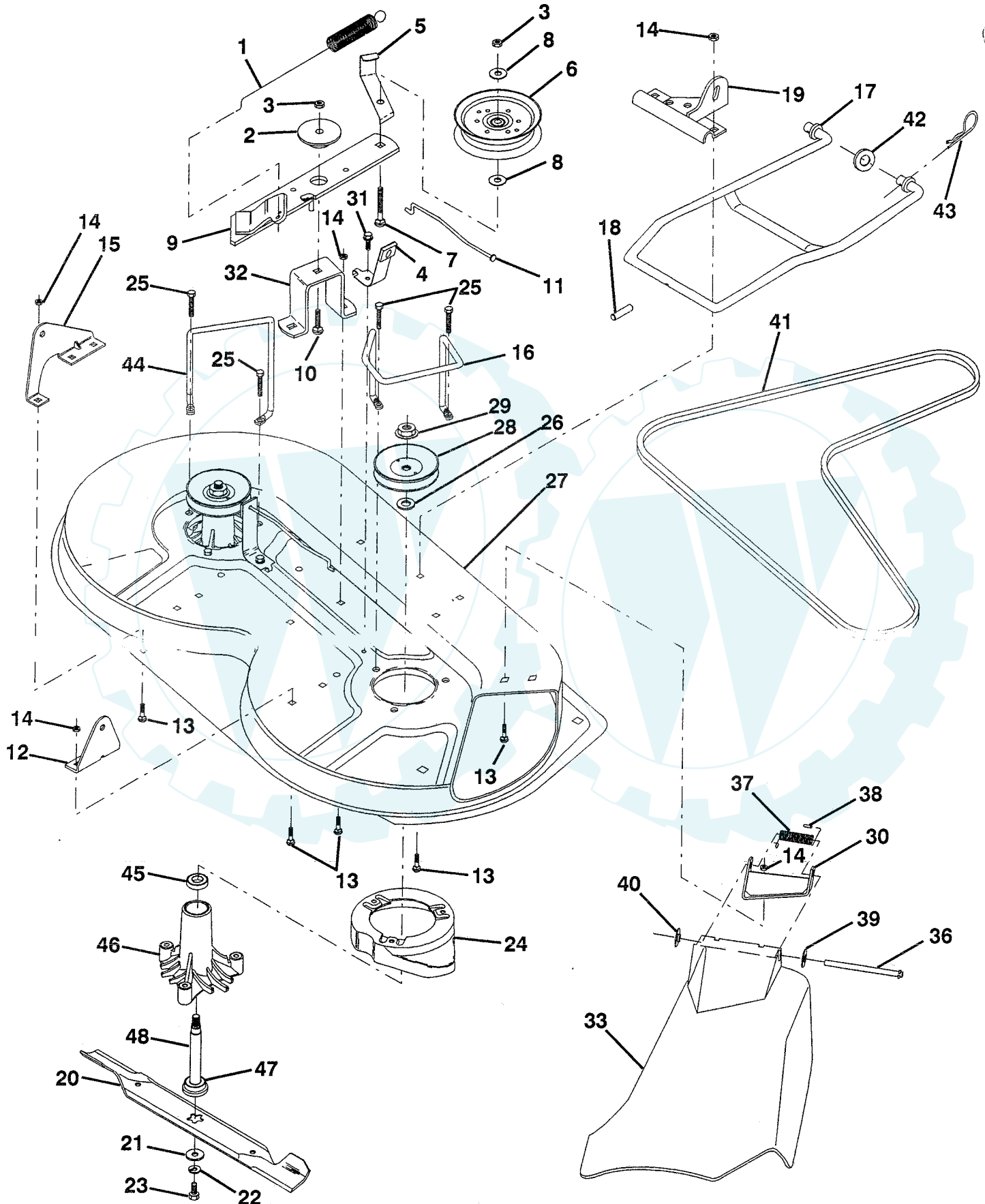
Der Ersatzteil-Spezialist im Internet.

# REPAIR PARTS

[www.ersatzteil-service.de](http://www.ersatzteil-service.de)

## 10.5 HP 36" TRACTOR - - MODEL NUMBER FA10536A

### MOWER DECK



# REPAIR PARTS

[www.ersatzteil-service.de](http://www.ersatzteil-service.de)

## 10.5 HP 36" TRACTOR - - MODEL NUMBER FA10536A MOWER DECK

| KEY PART<br>NO. | NO.       | DESCRIPTION   |
|-----------------|-----------|---|
| 1               | 532127743 | Spring, Mower Clutch  |
| 2               | 532122052 | Spacer, Retainer  |
| 3               | 873680600 | Nut, Crownlock  |
| 4               | 532130840 | Brake Assembly  |
| 5               | 532131251 | Guide, Belt Idler   |
| 6               | 532121316 | Pulley, Flat Idler  |
| 7               | 872110616 | Bolt, Carriage 3/8-16 x 2 Grade 5                                   |
| 8               | 819131410 | Washer 13/21 x 7/8 x 10 Gauge                                       |
| 9               | 532127744 | Idler Arm Assembly, Mower   |
| 10              | 872110608 | Bolt, Carriage 3/8-16 x 1   |
| 11              | 532130841 | Rod, Brake  |
| 12              | 532127356 | Bracket, Lift, Rear, R.H.   |
| 13              | 872140505 | Bolt, Carriage 5/16-18 x 5/8  |
| 14              | 873680500 | Nut, Crownlock 5/16-18  |
| 15              | 532127357 | Bracket, Lift, Rear, L.H.   |
| 16              | 532130837 | Keeper, Belt, R.H.  |
| 17              | 532128508 | Link Assembly, Mower Stabilizer                                     |
| 18              | 532128511 | Pin, Drive  |
| 19              | 532127380 | Bracket Assembly, Front   |
| 20              | 532127841 | Blade   |
| 21              | 532129962 | Washer, Hardened  |
| 22              | 810030600 | Washer, Lock 3/8  |
| 23              | 532850857 | Bolt, Hex 3/8-24 x 1-1/4 Grade 8                                    |
| 24              | 532128961 | Stripper  |
| 25              | 532078158 | Bolt, Hex Head 5/16-18 x 1-1/4                                      |
| 26              | 532129963 | Washer .150 Thick   |
| 27              | 532129983 | Deck Assembly   |
| 28              | 532129207 | Pulley, Mandrell  |
| 29              | 873050900 | Nut, Flangelock 9/16  |
| 30              | 532136631 | Bracket Assembly, Deflector   |
| 31              | 817490508 | Screw, Hex Washer Head, Thd.,<br>Roll. 5/16-18 x 1/2                |
| 32              | 532122051 | Arm, Support Idler, Mower   |
| 33              | 532131560 | Deflector   |
| 36              | 532121980 | Rod, Hinge  |
| 37              | 532123713 | Spring, Torsion Deflector   |
| 38              | 532105304 | Cap, Sleeve   |
| 39              | 819111016 | Washer 11/32 x 5/8 x 16 Gauge                                       |
| 40              | 532110452 | Pushnut   |
| 41              | 532131264 | V-Belt  |
| 42              | 819171616 | Washer 11/32 x 5/8 16 Gauge   |
| 43              | 532124660 | Retainer, Spring  |
| 44              | 532130836 | Keeper, L.H.  |
| 45              | 532110485 | Bearing   |
| 46              | 532128774 | Mandrel Housing, Vented   |
| 47              | 532129895 | Bearing   |
| 48              | 532133172 | Shaft, Mandrel (Includes Key #47)                                   |
| --              | 532130794 | Mandrel Assembly (Includes Key<br>Numbers 22, 23, 26, 29 and 45-48) |
| --              | 532136317 | Mower Deck, Complete  |

**NOTE:** All component dimensions given in U.S. inches  
1 inch = 25.4 mm

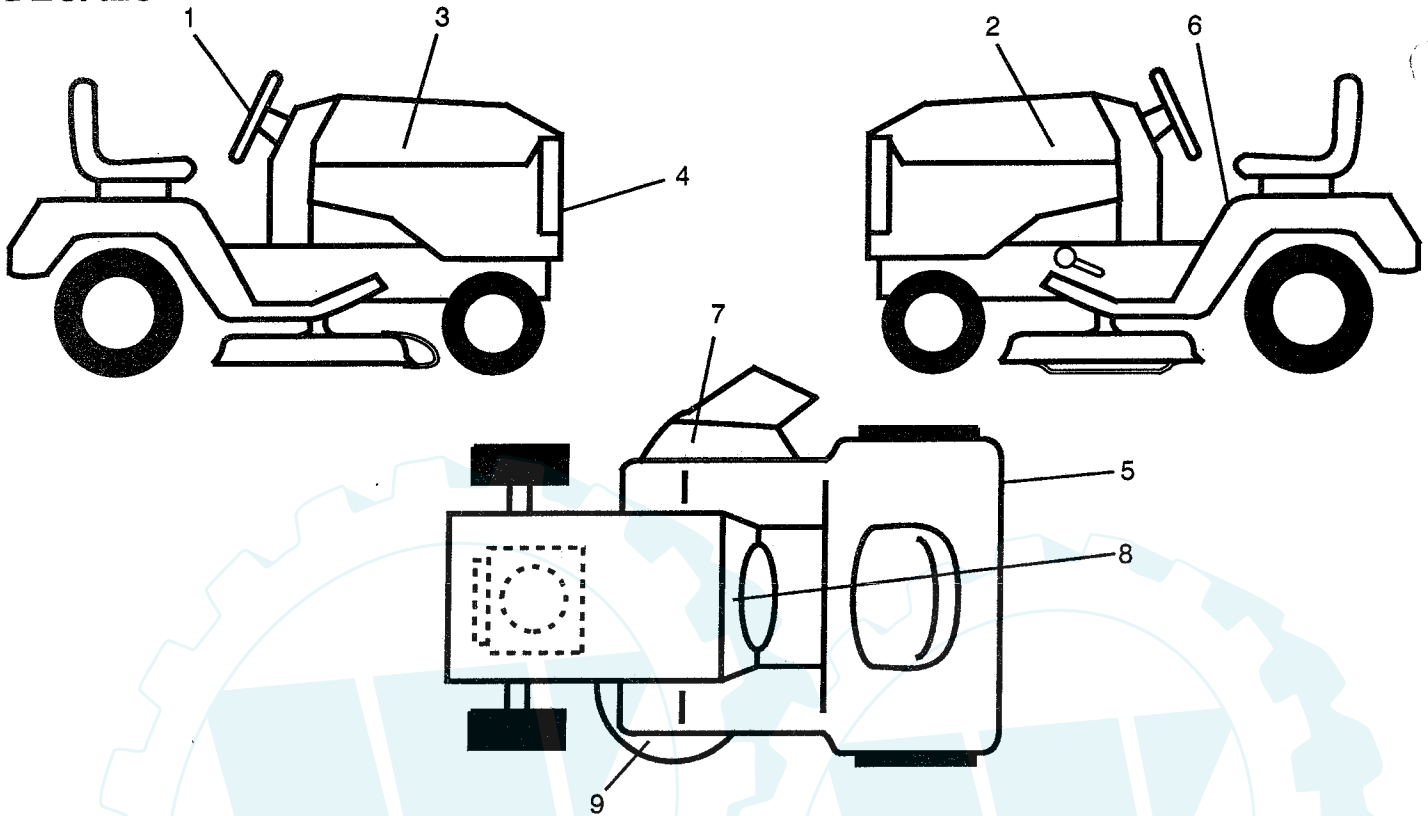


# REPAIR PARTS

[www.ersatzteil-service.de](http://www.ersatzteil-service.de)

## 10.5 HP 36" TRACTOR - - MODEL NUMBER FA10536A

### DECALS



#### KEY PART NO. NO.

#### DESCRIPTION

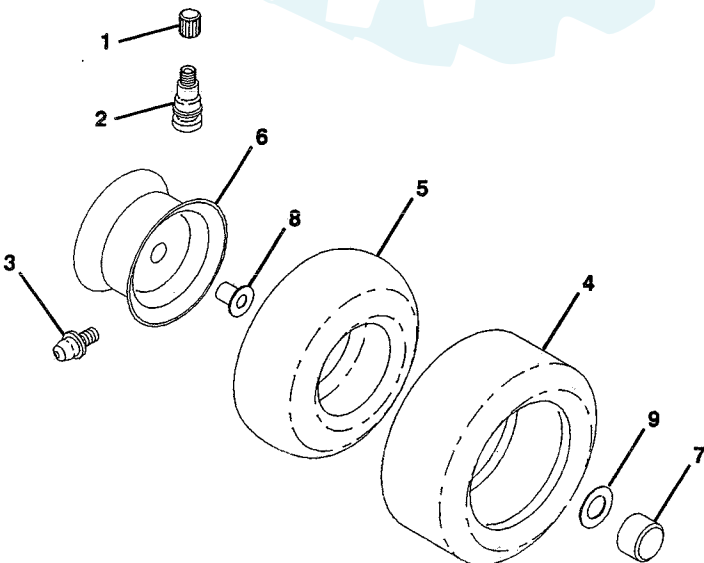
|   |           |                                 |
|---|-----------|---------------------------------|
| 1 | 532126430 | Decal, Logo, Steering Wheel Cap |
| 2 | 532136953 | Decal, Hood, L.H.               |
| 3 | 532136954 | Decal, Hood, R.H.               |
| 4 | 532126429 | Decal, Logo, Grill              |
| 5 | 532124433 | Decal, 80 DBA                   |

#### KEY PART NO. NO.

#### DESCRIPTION

|    |           |                              |
|----|-----------|------------------------------|
| 6  | 532133796 | Decal, Instruction, Warning  |
| 7  | 532121343 | Decal, Warning, Cut Finger   |
| 8  | 532126712 | Decal, Instruction/Operation |
| 9  | 532125087 | Decal, Rotating Blades       |
| -- | 532137222 | Manual, Operator's           |
| -- | 532136880 | Manual, Repair Parts         |

### WHEELS



#### KEY PART NO. NO.

#### DESCRIPTION

|   |           |                                 |
|---|-----------|---------------------------------|
| 1 | 532059192 | Cap, Valve                      |
| 2 | 532065139 | Stem, Valve                     |
| 3 | 532124957 | Fitting, Grease                 |
| 4 | 532124142 | Tire, Front                     |
|   | 532124143 | Tire, Rear                      |
| 5 | 532059904 | Tube, Front Tire (Not Supplied) |
|   | 532008134 | Tube, Rear Tire (Not Supplied)  |
| 6 | 532124809 | Rim, Front                      |
|   | 532124805 | Rim, Rear                       |
| 7 | 532104757 | Cap, Axle, Front and Rear       |
| 8 | 532124959 | Bearing, Flange (Front only)    |
| 9 | 532121748 | Washer 35/32 x 1-5/8            |

NOTE: All component dimensions given in U.S. inches  
1 inch = 25.4 mm

HARDWARE SHOWN LARGER FOR EASIER IDENTIFICATION

Der Ersatzteilspezialist im Internet.