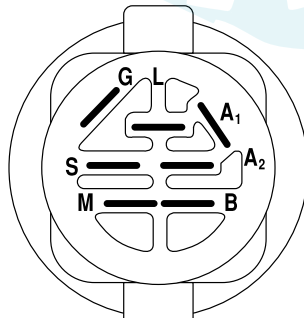
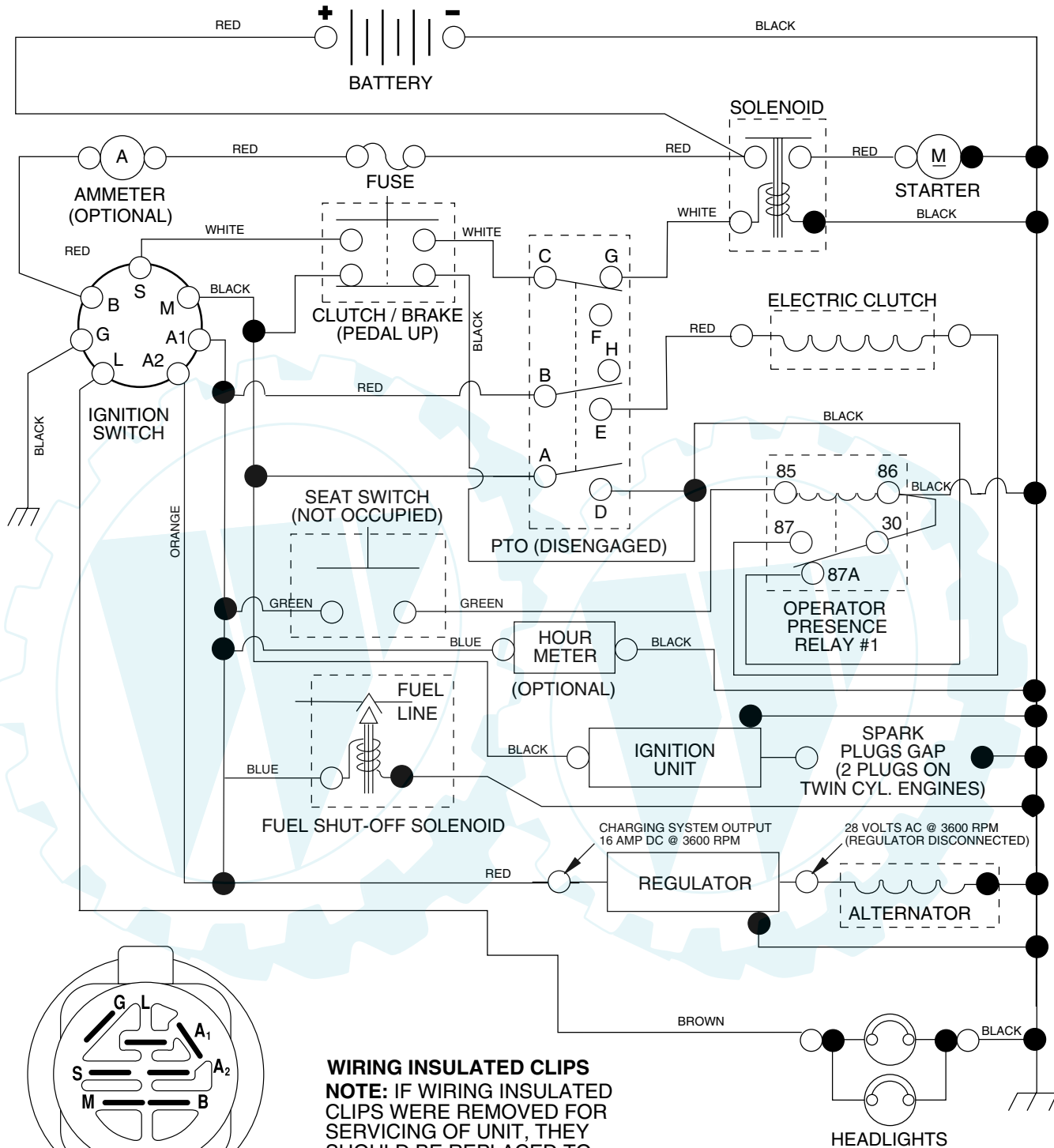


SCHEMATIC

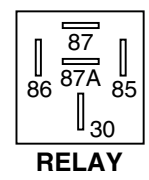
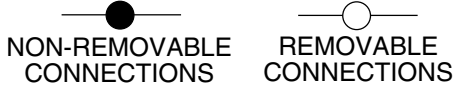


IGNITION SWITCH

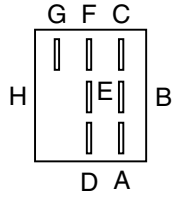
POSITION	CIRCUIT	"MAKE"
OFF	M+G+A1	NONE
RUN/LIGHT	B+A1	A2+L
RUN	B+A1	NONE
START	B + S + A1	NONE

**WIRING INSULATED CLIPS**  
**NOTE:** IF WIRING INSULATED CLIPS WERE REMOVED FOR SERVICING OF UNIT, THEY SHOULD BE REPLACED TO PROPERLY SECURE YOUR WIRING.

POSITION	CIRCUIT
OFF	C + G, B + H
ON	C + F, B + E, A + D



RELAY

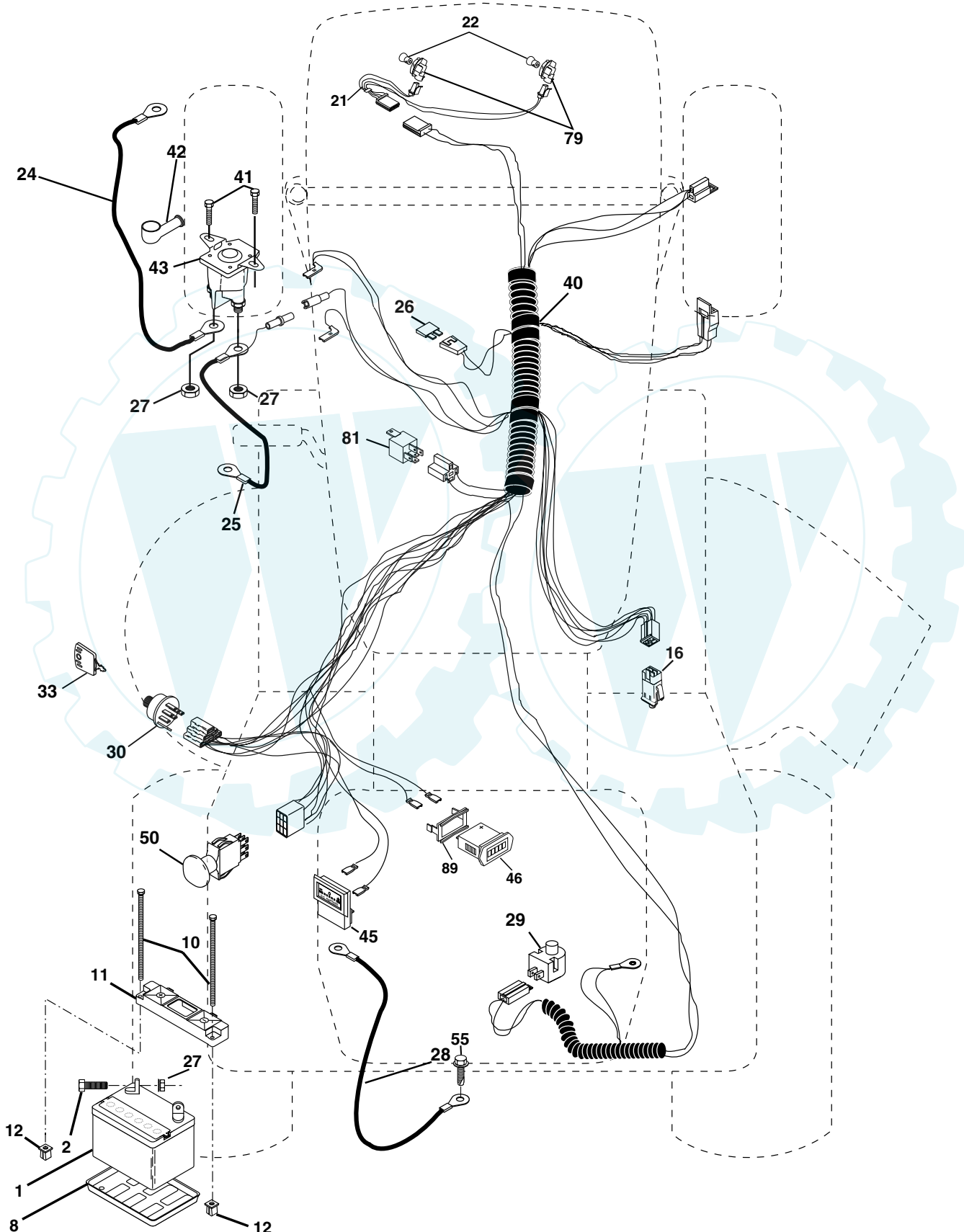


# REPAIR PARTS

[www.ersatzteil-service.de](http://www.ersatzteil-service.de)

## TRACTOR - MODEL NUMBER DPR22H48STB

### ELECTRICAL



## TRACTOR - MODEL NUMBER DPR22H48STB

### ELECTRICAL

KEY NO.	PART NO.	DESCRIPTION
1	163465	Battery
2	74760412	Bolt Hex Hd 1/4-20 UNC X 3/4
8	7603J	Tray, Battery
10	145211	Bolt, BTR FRT 1/4-20 x 7.5
11	150109	Hold Down Battery, Front
12	145769	Nut, Push, Nylon
16	153664	Switch Interlock Push-In
21	166184	Harness Asm Light W/4152j
22	4152J	Bulb Light #1156
24	8860R	Cable Battery
25	146148	Cable Batterywire
26	175158	Fuse
27	73510400	Nut Keps Hex 1/4-20 Unc
28	145491	Cable Ground
29	160784	Switch Plunger Normal OP Olive
30	175566	Switch Ign 4 pos w/lights
33	140401	Key Ign
40	179413	Harness Ign.
41	17720408	Bolt Blk Fin Hex 1/4-20 x 1/2
42	131563	Cover Terminal Red
43	178861	Solenoid
45	122822X	Ammeter Rectangular
46	169635	Hourmeter Snap-In
50	174653	Switch, PTO
55	17490508	Screw Thdrol 5/16-18 x 1/2
79	163996	Bulbholder
81	109748X	Relay Asm
89	169639	Bracket Snap-In Hourmeter

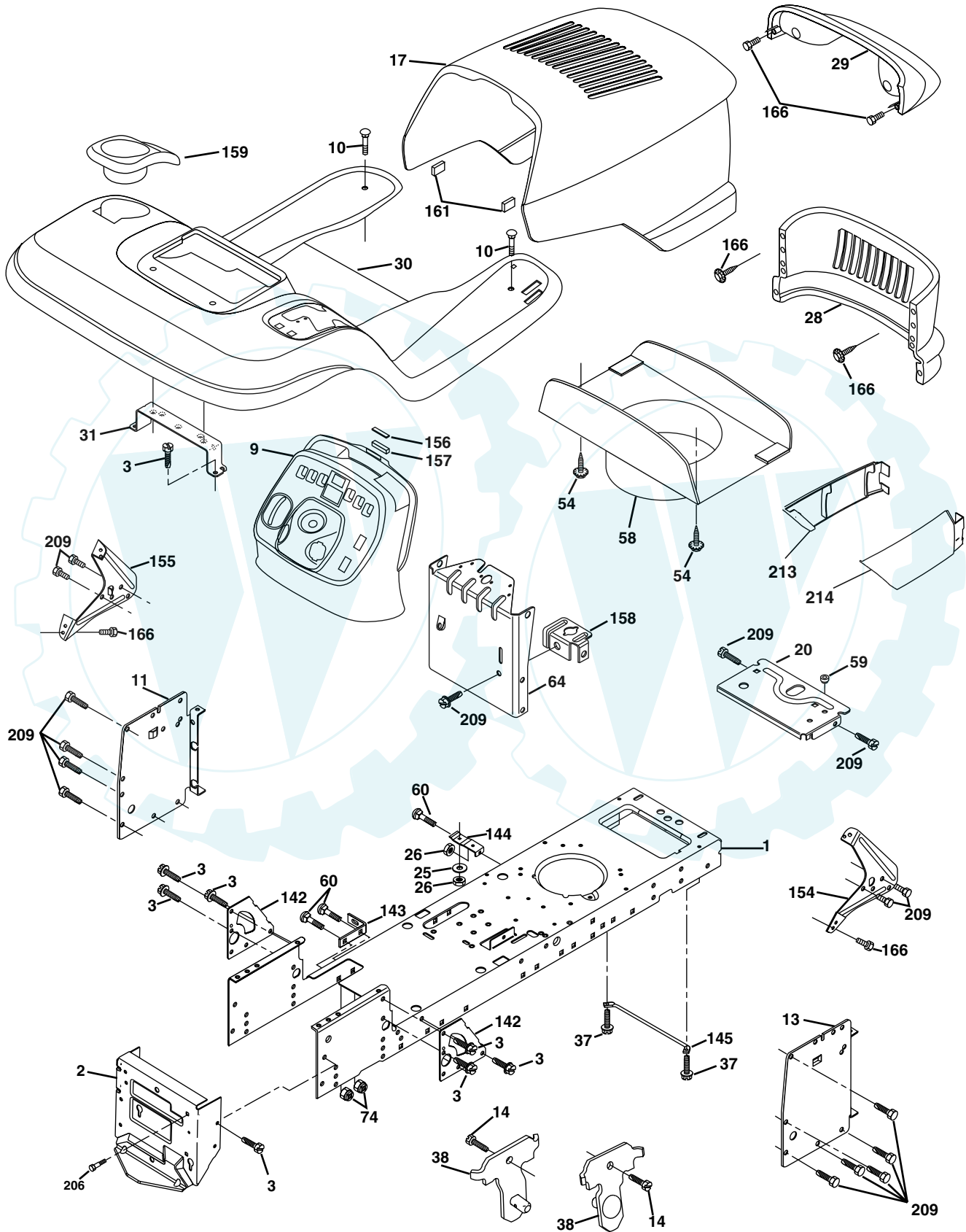
**NOTE:** All component dimensions given in U.S. inches.  
1 inch = 25.4 mm.

# REPAIR PARTS

[www.ersatzteil-service.de](http://www.ersatzteil-service.de)

## TRACTOR - MODEL NUMBER DPR22H48STB

### CHASSIS AND ENCLOSURES



## TRACTOR - MODEL NUMBER DPR22H48STB

### CHASSIS AND ENCLOSURES

KEY NO.	PART NO.	DESCRIPTION
1	174619	Chassis
2	176554	Drawbar
3	17060612	Screw 3/8-16x3/4
9	163976X428	Dash
10	72140608	Bolt 3/8-16 x 1
11	167203	Panel Dash Lh
13	167202	Panel Dash Rh
14	17490608	Screw Thdrol 3/8-16 x 1/2
17	175259X428	Hood
20	162026	Plate Battery
25	19131312	Washer 13/32 X 13/16 X 12 Ga
26	73800600	Nut Lock Hex W/Ins 3/8-16 Unc
28	175289X428	Grille
29	160568	Lens
30	175692X428	Fender
31	139976	Bracket Fender
37	17490508	Screw Thdrol 6/16-18 x 1/2 TYT
38	175710	Bracket, Asm. Pivot Mower Rear
54	161464	Screw Hex Wshd 8-18 x 7/8
58	161236	Duct Hood
59	110436X	Bushing Snap
60	72140606	Bolt RdHd Sqnk 3/8-16 Unc x 3/4
64	174997	Dash Lower
74	73680600	Nut Crownlock 3/8-16 Unc
142	175702	Plate Reinforcement STL
143	154966	Bracket Swaybar Chassis
144	175582	Bracket Footrest
145	156524	Rod Pivot Chassis/Hood
154	161897	Bracket Dash Rh
155	161900	Bracket Dash Lh
156	163805	Striker Plate
157	163806	Magnet Stealth
158	162037	Bracket Parking Brake
159	155123X428	Cupholder
161	164655	Extrusion Bumper
166	164863	Screw HwHd Hi-Lo #13-16 x 3/4
206	170165	Bolt Shoulder 5/16-18
209	17000612	Screw Hexwsh Thdrol 3/8-16 x 3/4
213	169848X428	Skirt Grille Lh
214	169847X428	Skirt Grille Rh

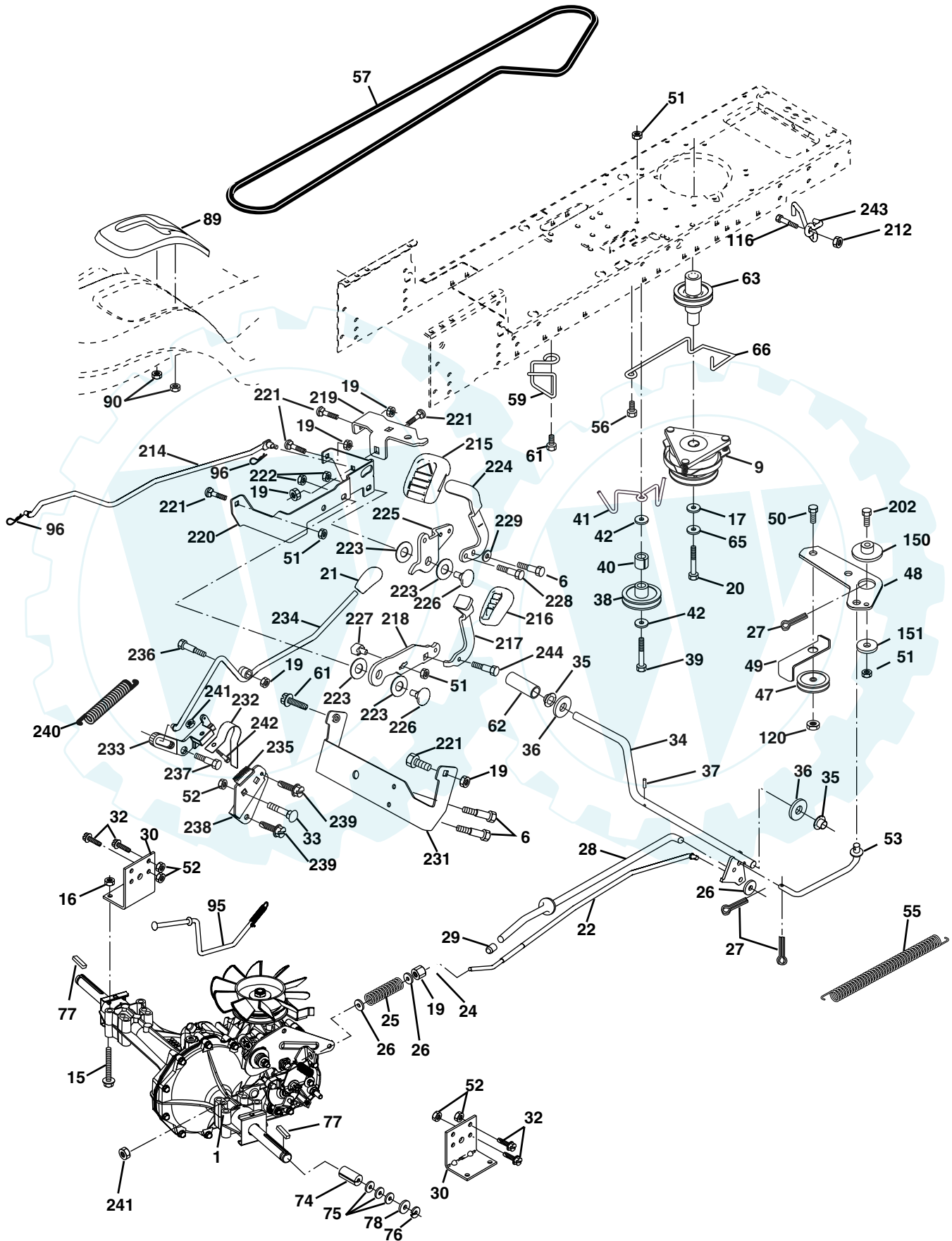
**NOTE:** All component dimensions given in U.S. inches  
1 inch = 25.4 mm

# REPAIR PARTS

[www.ersatzteil-service.de](http://www.ersatzteil-service.de)

## TRACTOR - MODEL NUMBER DPR22H48STB

### DRIVE



## TRACTOR - MODEL NUMBER DPR22H48STB

### DRIVE

KEY NO.	PART NO.	DESCRIPTION	KEY NO.	PART NO.	DESCRIPTION
1	-----	Transaxle (Order parts from transaxle manufacturer)	76	12000001	E-Ring
		Hydro gear Model 323-0510	77	123583X	Key, Square
9	174367	Clutch Elec	78	121748X	Washer 25/32 x 1-5/8 x 16 Ga.
15	74490544	Bolt Hex Flghd 5/16-18 Gr. 5	89	174901X428	Console, Shift
16	73800500	Nut Lock Hex W/Ins. 5/16-18 Unc	90	124346X	Nut Self-Thd Wsh-hd 1/4 Zinc
17	126197X	Washer 1-1/2 OD x 15/32 ID x .250	95	175899	Rod Bypass
			96	4497H	Retainer Spring 1" Zinc/Cad
19	73800600	Nut Lock Hex W/Wsh 3/8-16 Unc	116	72140608	Bolt RDHD SQNK 3/8-16 Unc x 1
20	173937	Bolt Hex 7/16-20 x 4 x Gr. 5-1.5	120	73900600	Nut Lock Flg 3/8-16 Unc
21	175036X421	Knob Custom Control Cruise	150	175456	Spacer Retainer
22	175896	Rod, Brake	151	19133210	Washer 13/32 x 2 x 10 Ga.
24	73350600	Nut, Hex Jam 3/8-16 Unc	202	72110612	Bolt Carr Sh 3/8-16 x 1-1/2 Gr. 5
25	106888X	Spring, Brake Rod	212	145212	Nut HexFlange Lock
26	19131316	Washer	214	174735	Link Transaxle
27	76020412	Pin Cotter 1/8 x 3/4 CAD.	215	175646	Cover Pedal Forward
28	175765	Rod, Parking Brake	216	175647	Cover Pedal Reverse
29	71673	Cap, Brake, Park	217	174737	Pedal Reverse
30	169592	Bracket, Transaxle	218	174713	Arm Control Pedal Reverse
32	74760512	Bolt Hex Hd 5/16-18 Unc x 3/4	219	174839	Bracket Frest Pdl Ctrl. Hyd
33	72140506	Bolt Rdhd Sqnk 5/16-18 Unc x 3/4	220	174711	Bracket Mtg. Pedal Control
34	175578	Shaft, Foot Pedal	221	72140606	Bolt Rdhd Sqnk 3/8-16 Unc x 3/4
35	120183X	Bearing, Nylon	222	73680700	Nut Crownlock 7/16-14 Unc
36	19211616	Washer	223	174840	Washer Nylon 11/16 ID x .060
37	1572H	Pin, Roll	224	174736	Pedal Forward
38	165936	Pulley, Composite, Flat	225	174712	Arm Control Pedal Forward
39	74760648	Bolt Fin Hex 3/8-16 Unc x 3	226	174902	Bolt Pivot Spacer
40	175461	Spacer, Split	227	174710	Cam Reverse Pedal LT
41	175556	Keeper, Belt Idler Flat	228	171873	Bolt Shoulder 5/16-18
42	19131312	Washer 13/32 x 13/16 x 12 Ga.	229	176451	Washer Serrated 5/16 x .75
47	127783	Pulley, Idler, V-Groove	230	17060512	Screw 5/16-18
48	154407	Bellcrank Clutch Grnd Drw Stl	231	174573	Strap Torque
49	123205X	Retainer, Belt	232	175570	Actuator Cruise Disengage
50	74760624	Bolt	233	174856	Pawl Control Cruise
51	73680600	Nut Crownlock 3/8-16 UNC	234	174858	Lever Control Cruise
52	73680500	Nut, Crownlock 5/16-18 Unc	235	174857	Sector Control Cruise
53	105710X	Link, Clutch	236	128903	Bolt Shoulder 3/8-16 Unc 1/44
55	105709X	Spring, Return, Clutch	237	170165	Bolt Shoulder 5/16-18
56	17060616	Screw 3/8-16 x 1.0	238	175807	Arm Mtg. Cruise Sector
57	140294	V-Belt, Ground Drive	239	17490508	Screw Thdrol 5/16 x 1/2
59	169691	Keeper, Center Span	240	175610	Spring Return Cruise Control
61	17060612	Screw 3/8-16 x 3/4	241	73930400	Nut Centerlock 1/4-20 Unc
62	8883R	Cover, Pedal	242	74780412	Bolt Fin Hex 1/4-20 Unc x .75
63	175417	Pulley, Engine	243	178289	Bracket Anti-Rotation CVX
65	10040700	Washer	244	17060508	Screw 5/16-18 x 1/2
66	154778	Keeper Belt Engine			
74	137057	Spacer, Axle			
75	121749X	Washer 25/32 x 1-1/4 x 16 Ga.			

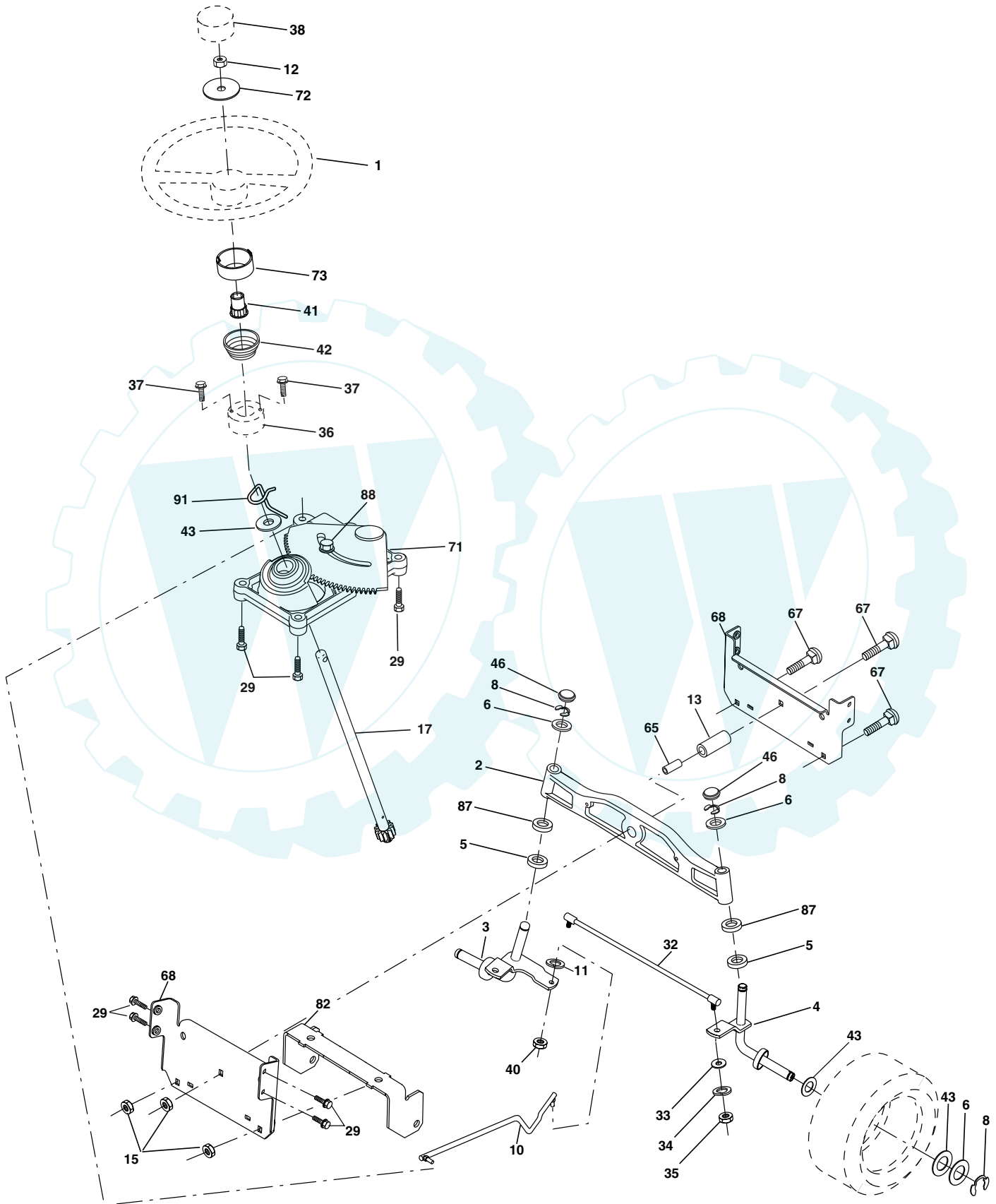
**NOTE:** All component dimensions give in U.S. inches.  
1 inch = 25.4 mm

# REPAIR PARTS

[www.ersatzteil-service.de](http://www.ersatzteil-service.de)

## TRACTOR - MODEL NUMBER DPR22H48STB

### STEERING ASSEMBLY





# REPAIR PARTS

[www.ersatzteil-service.de](http://www.ersatzteil-service.de)

## TRACTOR - MODEL NUMBER DPR22H48STB

### STEERING ASSEMBLY

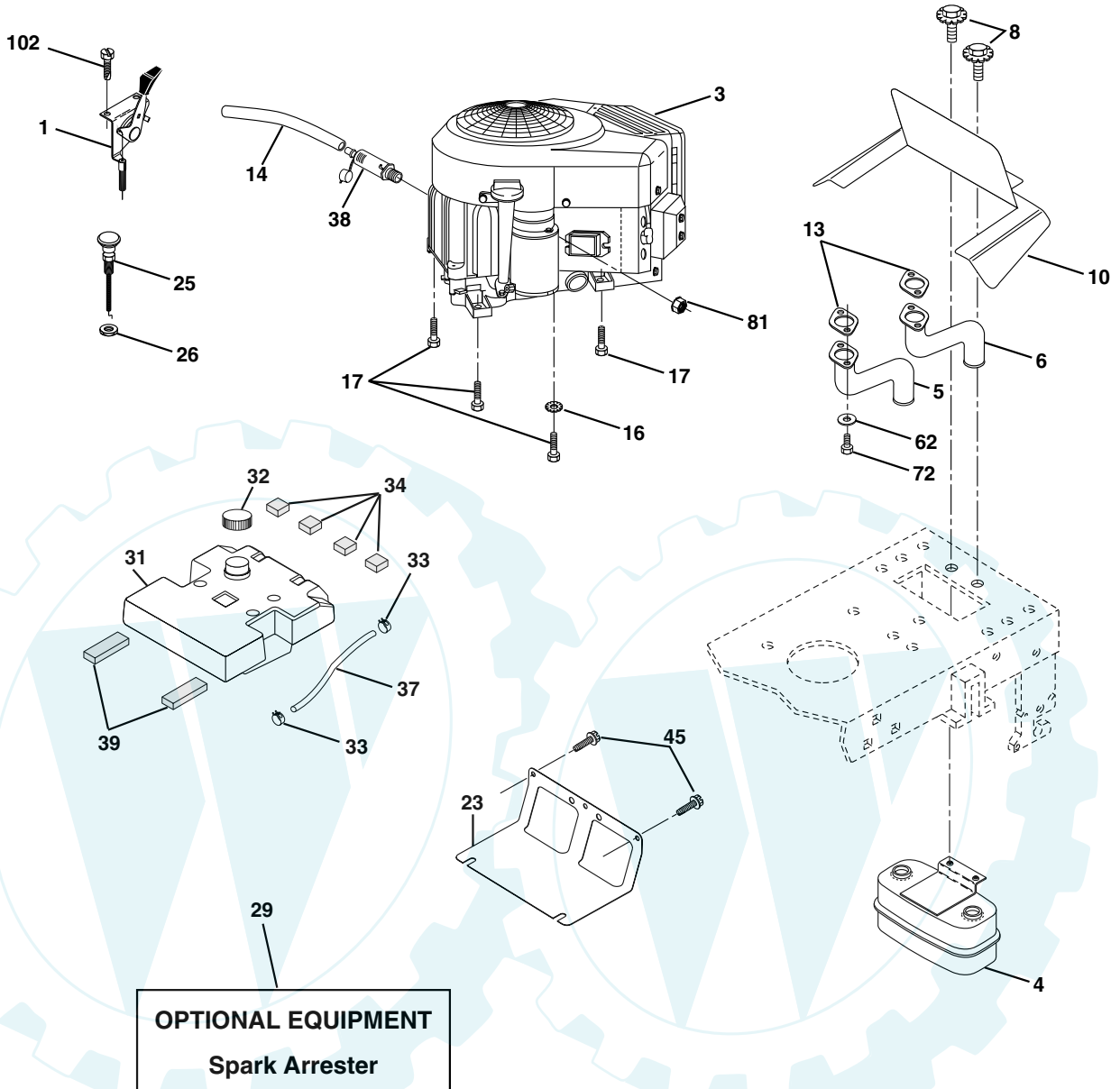


KEY NO.	PART NO.	DESCRIPTION
1	159944X428	Wheel Steering
2	172393	Axle Cast Lt Machined
3	169840	Spindle Asm LH
4	169839	Spindle Asm RH
5	6266H	Bearing Race Thrust Harden
6	121748X	Washer 25/32 X 1-5/8 X 16 Ga
8	1200029	Ring Klip #t5304-75
10	175121	Link Drag
11	10040600	Washer Lock Hvy Hlcl Spr 3/8
12	73940800	Nut Hex Jam Toplock 1/2-20 UNF
13	136518	Spacer Brg Axle Front
15	145212	Nut Hex Flange Lock
17	177883	Shaft Asm Strg
29	17060612	Screw 3/8-16x3/4
32	170162	Rod Tie
33	19111216	Washer 11/32 x 3/4 x 16 Ga.
34	10040500	Washer Lock Hry Hlcl Spr 5/16
35	73540500	Nut Crownlock 5/16 - 24 UNF
36	155105	Bushing Strg
37	152927	Screw TT #32.5 x 5 x 3/8 Flange
38	159946X428	Cap Wheel Steer
40	7810H	Nut Lock Center 3/8-24 Unf
41	159945	Adaptor Wheel Strg
42	163888X428	Boot Steering
43	121749X	Washer 25/32 X 1 1/4 X 16 Ga
46	121232X	Cap Spindle Fr Top Blk
65	160367	Spacer Brace Axle
67	72140618	Bolt Rdhd Sqn 3/8-16 x 2-1/4
68	169827	Brace, Axle
71	175146	Steering Asm.
72	19182411	Washer 9/16 ID x 1/20 OD 11 Ga.
73	160135X428	Extension Steering
82	169835	Bracket Susp Chassis Front
87	173966	Washer Flat .781 x 1-1/2 x .14
88	175118	Bolt Shoulder 7/16-20 Unc
91	175553	Clip

**NOTE:** All component dimensions given in U.S. inches.  
1 inch = 25.4 mm.

## TRACTOR - MODEL NUMBER DPR22H48STB

### ENGINE



KEY NO.	PART NO.	DESCRIPTION
1	164067	Control Throttle
3	-----	Engine, Briggs Model 407777 (Order parts from engine mfg.)
4	149723	Muffler Asm Twin Lo-Tone
5	159955	Pipe Exhaust LH Intek
6	160589	Pipe Exhaust RH Intek
8	171877	Bolt 5/16-18 UNC x 3/4 w/Sems
10	162797	Shield Browning Intek II
13	165391	Muffler Gasket
14	148456	Tube Drain Oil Easy
16	11050600	Washer Lock Ext Tooth 3/8
17	17490624	Screw Thdrol 3/8-16 x 1-1/2
23	169837	Shield Heat
25	164068	Choke Control
26	73920600	Nut, Keps 3/8-24 UNF

KEY NO.	PART NO.	DESCRIPTION
29	137180	Kit Spark Arrestor (Flat Scrn)
31	157103	Tank Fuel 3 50 Rear
32	140527	Cap Asm Fuel W/sym Vented
33	123487X	Clamp Hose Black
34	106082X	Pad, Spacer
37	8543R	Line Fuel
38	148315	Plug Drain Oil Easy
39	109227X	Pad, Idler
45	17000612	Screw Hexwsh Thdr 3/8-16 x 3/4
62	10040500	Washer Lock 5/16
72	71070512	Screw Hex Hd Cap 5/16-18 x 3/4
81	73510400	Nut Keps Hex 1/4-20 UNC
102	164863	Screw HwHd Hi-Lo #13-16 x 3/4

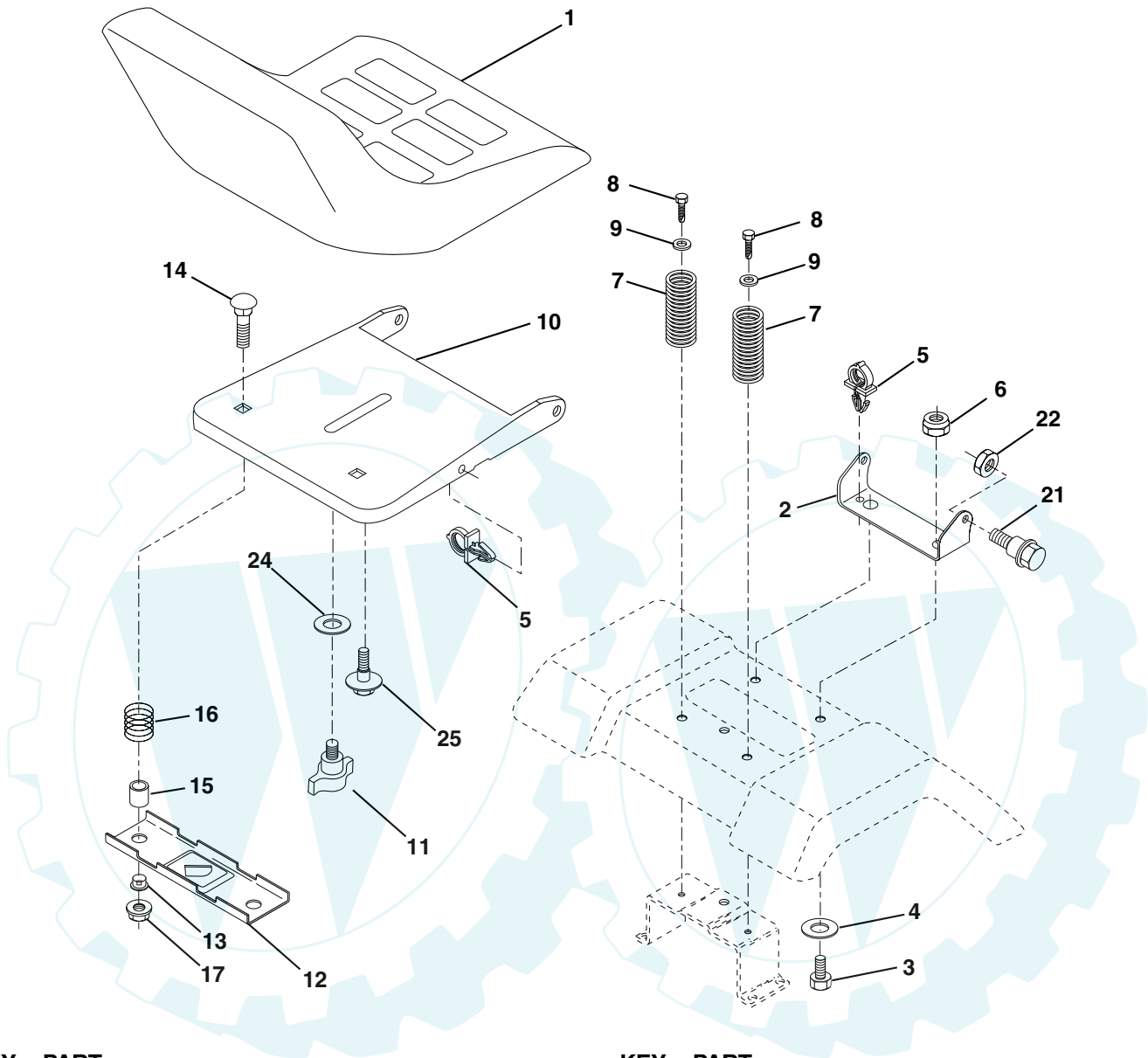
**NOTE:** All component dimensions given in U.S. inches  
1 inch = 25.4 mm

# REPAIR PARTS

[www.ersatzteil-service.de](http://www.ersatzteil-service.de)

## TRACTOR - MODEL NUMBER DPR22H48STB

### SEAT ASSEMBLY



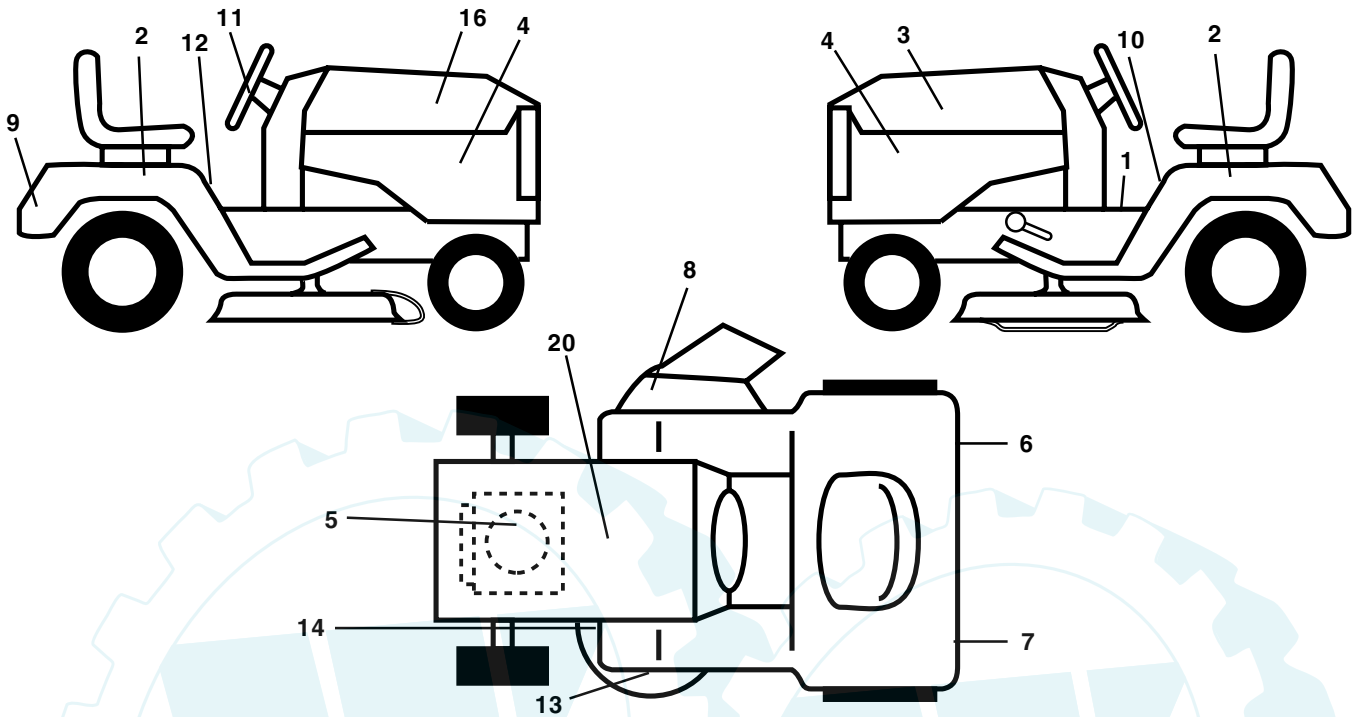
KEY NO.	PART NO.	DESCRIPTION
1	171684	Seat
2	140551	Bracket Pivot Seat 8 720
3	71110616	Bolt Fin Hex 3/8-16 Unc x 1
4	19131610	Washer Flat 13/32 x 1 x 10 Ga.
5	145006	Clip Push-In
6	73800600	Nut Hex w/Ins. 3/8-16 Unc
7	124181X	Spring Seat Cprsn 2 250 Blk Zi
8	17000616	Screw 3/8-16 x 1
9	19131614	Washer 13/32 x 1 x 14 Ga.
10	174894	Pan Seat
11	166369	Knob Seat Adj. Wingnut
12	121246X	Bracket Mounting Switch

KEY NO.	PART NO.	DESCRIPTION
13	121248X	Bushing Snap Blk Nyl 50 Id
14	72050412	Bolt Rdhd Sqnk 1/4-20x1-1/2
15	121249X	Spacer Split 28x 88
16	123740X	Spring Cprsn
17	123976X	Nut Lock 1/4 Lge Flg Gr 5 Zinc
21	171852	Bolt Shoulder 5/16-18 Unc
22	73800500	Nut Hex Lock W/Ins 5/16-18
24	19171912	Washer 17/32 X 1-3/16 X 12 Ga.
25	127018X	Bolt Shoulder 5/16-18 X 62

**NOTE:** All component dimensions given in U.S. inches.  
1 inch = 25.4 mm

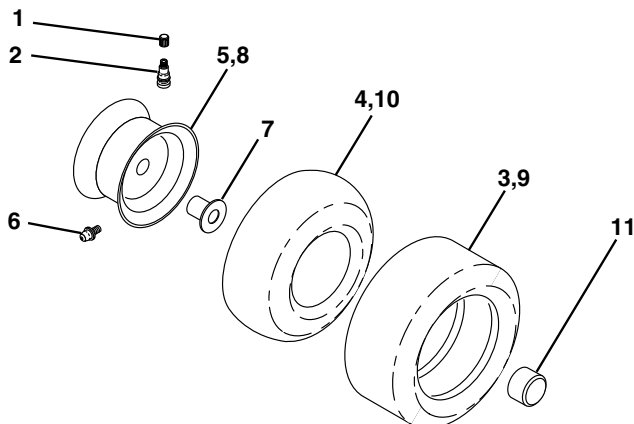
## TRACTOR - MODEL NUMBER DPR22H48STB

### DECALS



KEY NO.	PART NO.	DESCRIPTION	KEY NO.	PART NO.	DESCRIPTION
1	164097	Decal Dash	12	177982	Decal Fender Oper Cruise
2	176303	Decal Fender Auto	13	178502	Decal Deck Caution
3	176273	Decal Hood LH	14	175291	Decal V-Belt Schematic
4	177756	Decal Side Panel	16	176272	Decal Hood Rh
5	170852	Decal HP Engine	20	145005	Decal Bat Dan/Psn
6	173587	Decal Reflector Rh	--	169210	Decal By Pass Lt Hydro
7	173589	Decal Reflector Lh	--	174998X428	Pad Footrest Lh
8	170563	Decal Warning Mower	--	138311	Decal Handle Lft Height Adjust
9	172740	Decal Fender Logo	--	175542X428	Pad Footrest Rh
10	157140	Decal Fender Danger E/F	--	179419	Manual Owner's (English)
11	172743	Decal Ins Strg Whl	--	179420	Manual Owner's (French)

### WHEELS & TIRES

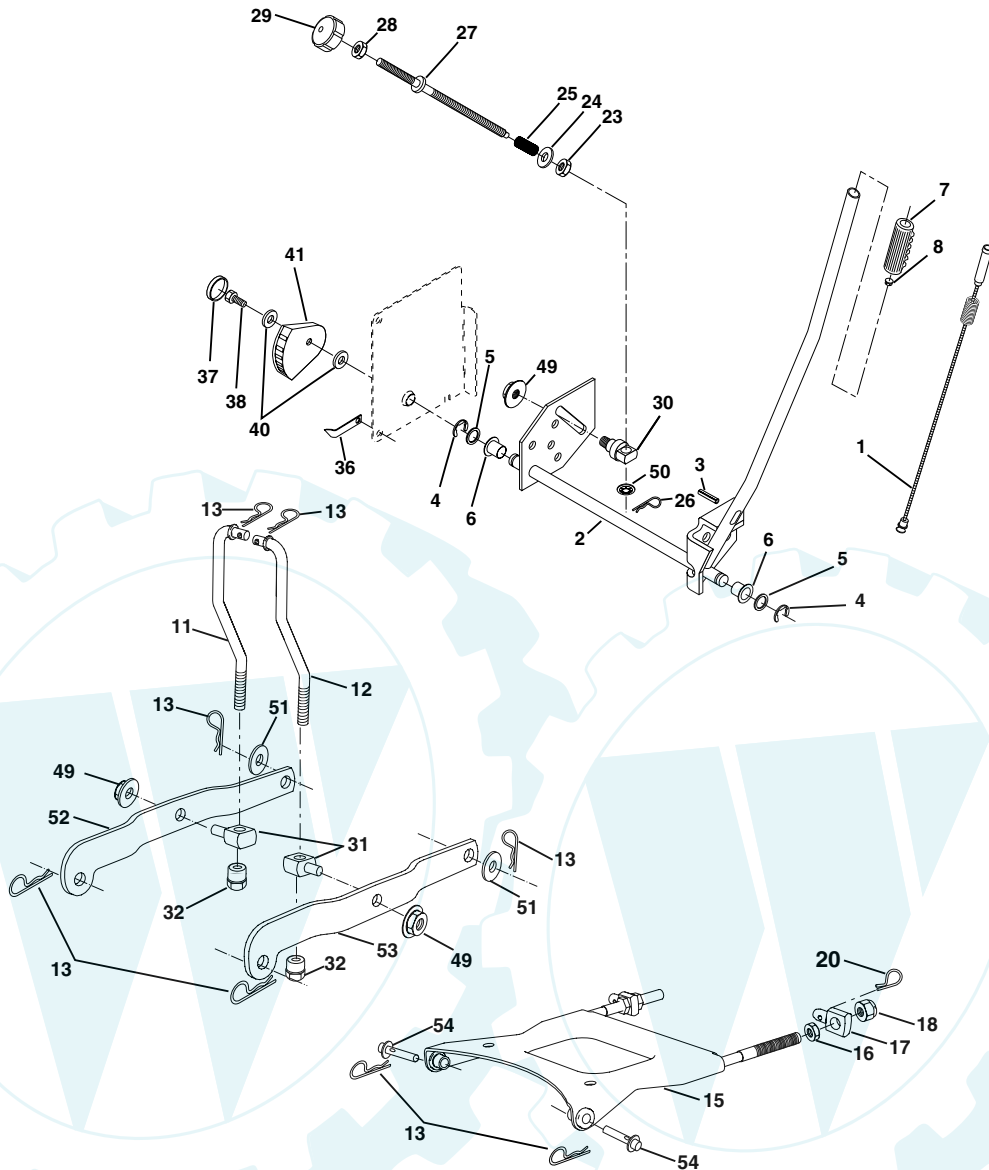


KEY NO.	PART NO.	DESCRIPTION
1	59192	Cap Valve Tire
2	65139	Stem Valve
3	170455	Tire F T 15 X 6 0 - 6 Service
4	59904	Tube Front (Service Item Only)
5	106732X421	Rim Asm 6"front Service
6	278H	Fitting Grease (Front Wheel Only)
7	9040H	Bearing Flange (Front Wheel Only)
8	106108X421	Rim Asm 8"rear Service
9	170456	Tire R T 20x10 -8 C Service
10	7152J	Tube Rear (Service Item Only)
11	104757X428	Cap Axle Blk 1 50 X 1 00
--	144334	Sealant, Tire ( 10 oz. Tube)

**NOTE:** All component dimensions given in U.S. inches  
1 inch = 25.4 mm

## TRACTOR - MODEL NUMBER DPR22H48STB

### MOWER LIFT



KEY NO.	PART NO.	DESCRIPTION
1	159461	Wire Asm Inner/Sprg W/plunger
2	159476	Shaft Asm Lift RH w/Inf
3	138284	Pin Groove
4	12000002	E Ring #5133-62
5	19211621	Washer 21/32 X 1 X 21 Ga
6	120183X	Bearing Nylon Blk 629 Id
7	125631X	Grip Handle
8	170770	Button Plunger
11	175370	Link Lift LH
12	175371	Link Lift RH
13	4939M	Retainer Spring
15	175562	Plate Asm. Suspension Front
16	73350800	Nut Jam Hex 1/2-13 Unc
17	175689	Trunnion Front Susp.
18	73800800	Nut Lock w/Wsh 1/2-13unc
20	163552	Retainer Spring
23	110807X	Nut Special
24	19131016	Washer 13/32 X 5/8 X 16 Ga
25	164024	Spring
26	169484	Retainer Clip

KEY NO.	PART NO.	DESCRIPTION
27	164543	Rod Adj Lift
28	73350600	Nut Hex Jam 3/8-16 Unc
29	138057	Knob Inf 3/8-16 Unc Blk W/sym
30	150233	Trunnion Infin Height
31	176205	Trunnion Susp. Arm
32	175994	Nut Lift Link 7/16-20
36	155097	Pointer Height Indicator
37	123935X	Plug Hole Blk 1.485/1.515 Dia.
38	17060516	Screw 5/16-18 x 1
40	19112410	Washer 11/32 x 1-1/2 10 Ga.
41	155098	Indicator Height STLT
49	145212	Nut Hex Flange Lock
50	110452X	Nut PUSh Phos & Oil
51	19171416	Washer 17/32 x 7/8 x 16 Ga.
52	175378	Arm Susp. Rear LH
53	175802	Arm Susp. Rear RH
54	175560	Pin

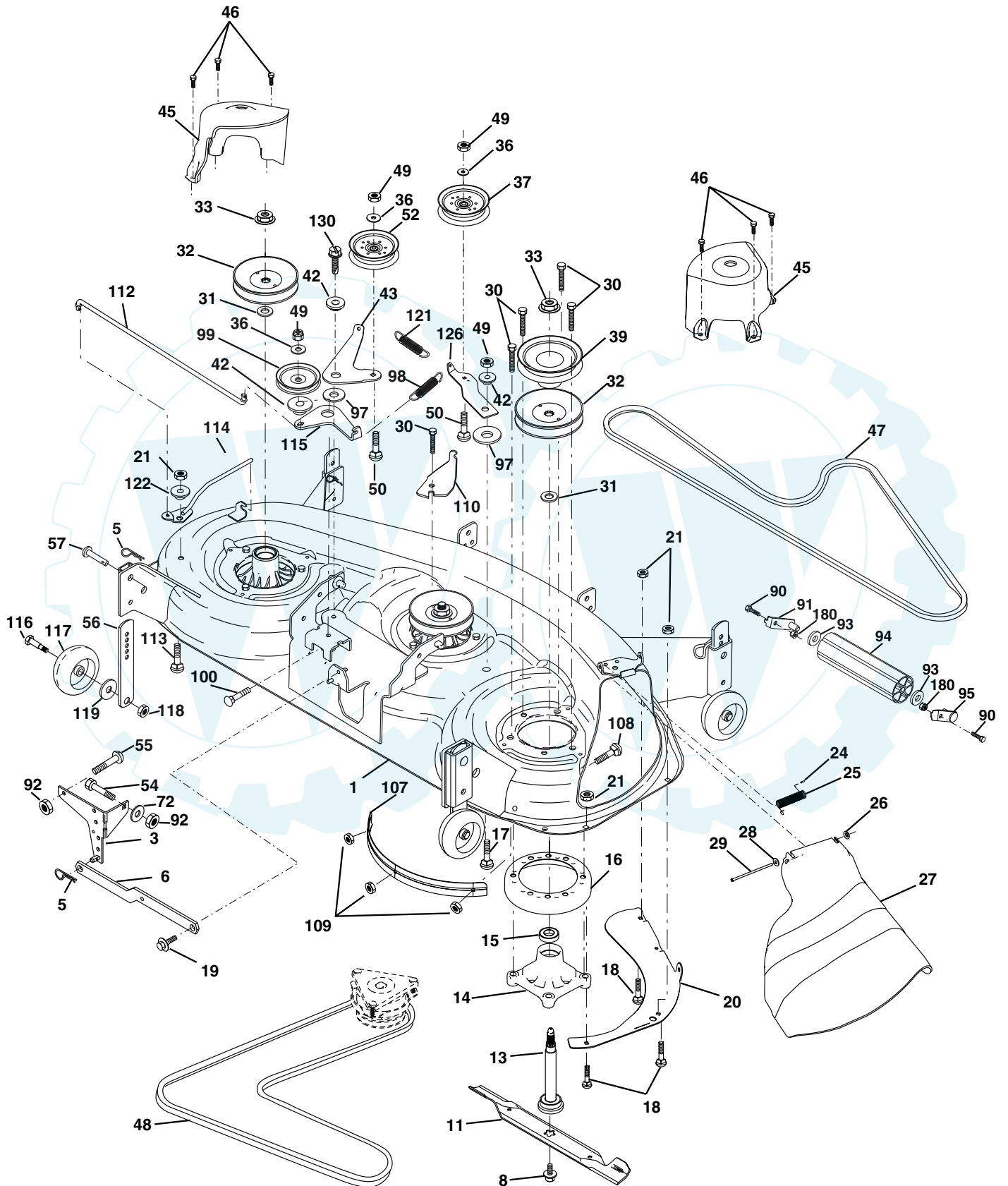
**NOTE:** All component dimensions given in U.S. inches  
1 inch = 25.4 mm

# REPAIR PARTS

[www.ersatzteil-service.de](http://www.ersatzteil-service.de)

## TRACTOR - MODEL NUMBER DPR22H48STB

### MOWER DECK



## TRACTOR - MODEL NUMBER DPR22H48STB

### MOWER DECK

KEY NO.	PART NO.	DESCRIPTION	KEY NO.	PART NO.	DESCRIPTION
1	174348	Deck Weldment Mower 48	55	72140608	Bolt Carriage Sqnk. 3/8-16 x 1
3	138017	Bracket Asm., Sway Bar	56	155986	Bar Pnt Adj.
5	4939M	Retainer Spring	57	156941	Pin Head Rivet
6	130832	Arm, Suspension, Rear (Sway Bar)	72	19131312	Washer 13/32 x 13/16 x 12 Ga.
8	174365	Bolt 7/16 Asm. Blade	90	74760516	Bolt, Hex Hd 5/16-18 x 1
11	173920	Blade	91	175384	Bracket, Asm Noseroller, LH
13	174360	Shaft Asm. w/Lower Bearing	92	73800600	Nut Lock Hex 3/8-16
14	174358	Mandrel Asm. Housing	93	19171416	Washer 17/32 x 7/8 x 16
15	110485X	Bearing, Ball, Mandrel	94	176066	Noseroller
16	174493	Stripper Mandrel Deck	95	175996	Bracket, Asm Noseroller RH
17	72110610	Bolt RDHD Sq Neck 3/8-16 x 1.25	97	133943	Washer Hardened
18	72140505	Bolt, Carriage 5/16-18 x 5/8	98	174370	Spring Primary Drive
19	132827	Bolt, Hex Hd, Shoulder 5/16-18	99	175080	Pulley Idler"V"
20	174378	Baffle, Vortex Mower	100	72110616	Bolt RDHD Sqnk 3/8-16 UNC x 2
21	73680500	Nut, Crownlock 5/16-18 UNC	107	175294	Baffle Vac Edge Mower
24	105304X	Cap, Sleeve	108	72110404	Bolt Carr.
25	178102	Spring, Torsion	109	73680400	Nut Crownlock 1/4-20
26	110452X	Nut, Push	110	175016	Arm Spring Secondary
27	174346X428	Deflector Shield	112	174387	Link Tension Relief Lever
28	19111016	Washer 11/32 x 5/8 x 16 Ga.	113	72110508	Bolt Carr. 5/16-18 x 1
29	131491	Rod, Hinge	114	174384	Tension Asm. Relief Lever
30	173984	Screw, Thdroll Washer Head	115	174609	Arm Spring Tension Relief
31	129963	Washer, Spacer Mower Vented	116	137644	Bolt, Shoulder
32	177865	Pulley, Mandrel	117	133957	Gauge Wheel
33	178342	Nut, Flg. Top Lock Cntr. 9/16	118	73930600	Nut, Centerlock 3/8-16 UNC
36	19131316	Washer 13/32 x 13/16 x 16 Ga.	119	19121414	Washer 3/8 x 7/8 x 14 Ga.
37	177968	Pulley, Idler, Flat	121	174371	Spring Secondary Drive
39	174375	Pulley, Idler, Driven	122	174606	Bushing Pivot Tension Relief
42	122052X	Spacer, Retainer	126	174372	Arm, Idler, Primary Deck
43	174373	Arm, Idler Secondary	130	17060616	Screw 3/8-16 x 1.0
45	174343	Cover, Mandrel Deck	180	73800500	Nut Lock 5/16-18
46	137729	Screw, Thdroll. 1/4-20 x 5/8	--	176149	Replacement Mower, Complete
47	174369	V-Belt, Mower, Secondary	--	174356	Mandrel Asm. Service (Includes Key Nos. 13-15 and 33)
48	174368	V-Belt, Mower, Primary			
49	73680600	Nut, Crownlock 3/8-16 UNC			
50	72110612	Bolt, Carr. 3/8-16 x 1-1/2 Gr. 5			
52	175820	Pulley Idler Flat			
54	74780616	Bolt Fin Hex 3/8-16 x 1			

**NOTE:** All component dimensions given in U.S. inches  
1 inch = 25.4 mm