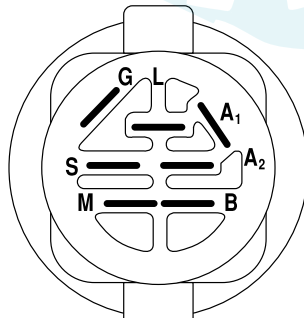
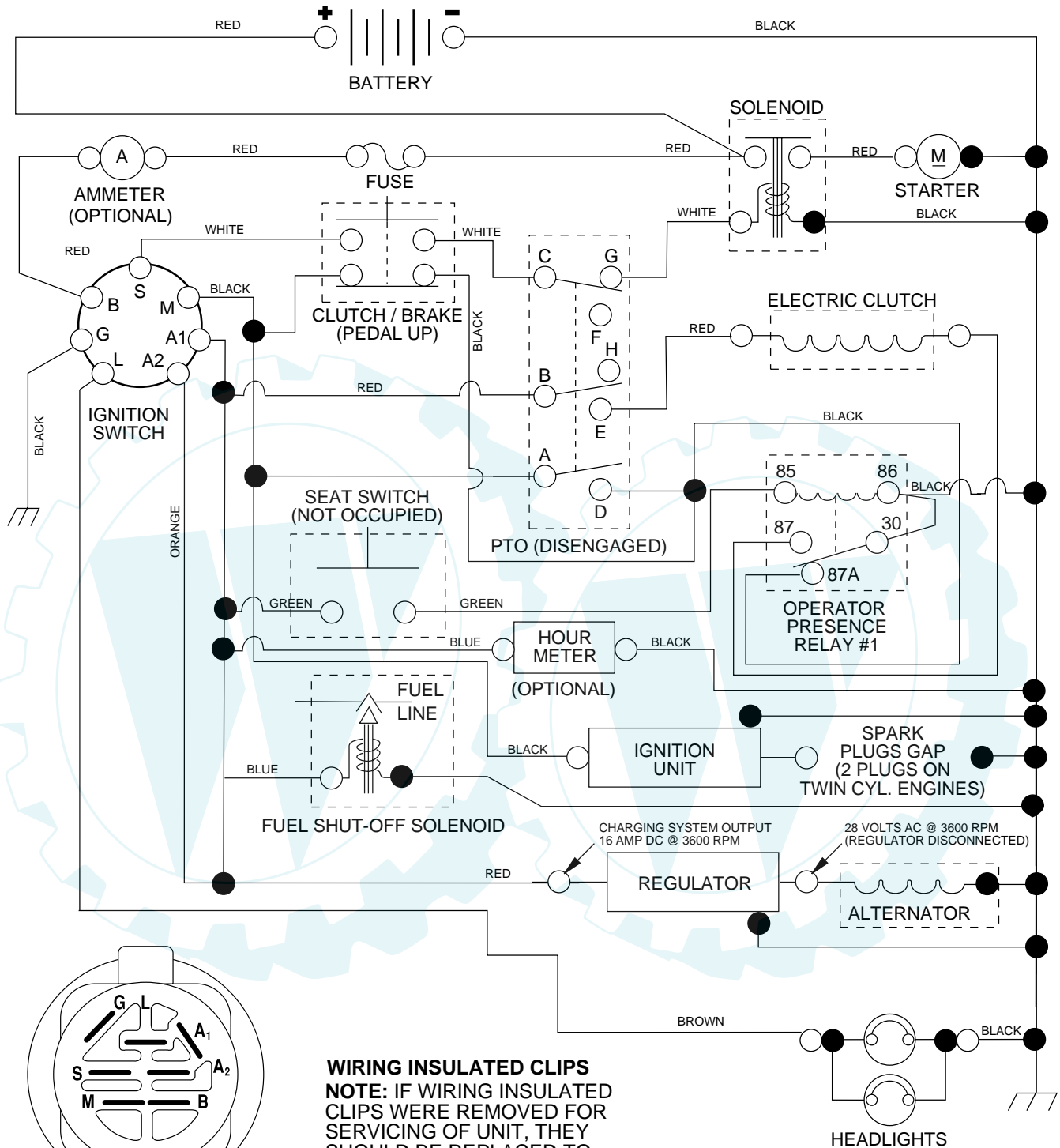


SCHEMATIC

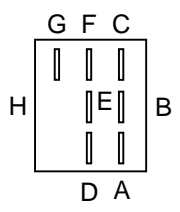
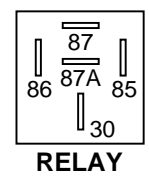
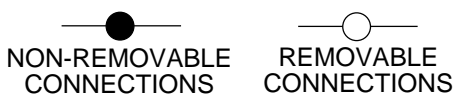


IGNITION SWITCH

| POSITION | CIRCUIT | "MAKE" |
|-----------|------------|--------|
| OFF | M+G+A1 | NONE |
| RUN/LIGHT | B+A1 | A2+L |
| RUN | B+A1 | NONE |
| START | B + S + A1 | NONE |

WIRING INSULATED CLIPS
NOTE: IF WIRING INSULATED CLIPS WERE REMOVED FOR SERVICING OF UNIT, THEY SHOULD BE REPLACED TO PROPERLY SECURE YOUR WIRING.

| POSITION | CIRCUIT |
|----------|---------------------|
| OFF | C + G, B + H |
| ON | C + F, B + E, A + D |



TRACTOR - MODEL NUMBER DPR22H46STA

ELECTRICAL

| KEY NO. | PART NO. | DESCRIPTION |
|---------|----------|--------------------------------|
| 1 | 163465 | Battery |
| 2 | 74760412 | Bolt Hex Hd 1/4-20 UNC X 3/4 |
| 8 | 7603J | Tray, Battery |
| 10 | 145211 | Bolt, BTR FRT 1/4-20 x 7.5 |
| 11 | 150109 | Hold Down Battery, Front |
| 12 | 145769 | Nut, Push, Nylon |
| 16 | 153664 | Switch Interlock Push-In |
| 21 | 166184 | Harness Asm Light W/4152j |
| 22 | 4152J | Bulb Light #1156 |
| 24 | 8860R | Cable Battery |
| 25 | 146148 | Cable Batterywire |
| 26 | 175158 | Fuse |
| 27 | 73510400 | Nut Keps Hex 1/4-20 Unc |
| 28 | 145491 | Cable Ground |
| 29 | 160784 | Switch Plunger Normal OP Olive |
| 30 | 175566 | Switch Ign 4 pos w/lights |
| 33 | 140401 | Key Ign |
| 40 | 170233 | Harness Ign. |
| 41 | 17720408 | Bolt Blk Fin Hex 1/4-20 x 1/2 |
| 42 | 131563 | Cover Terminal Red |
| 43 | 175141 | Solenoid |
| 45 | 122822X | Ammeter Rectangular |
| 50 | 174653 | Switch, PTO |
| 52 | 141940 | Protection Wire Loop |
| 55 | 17490508 | Screw Thdrol 5/16-18 x 1/2 |
| 79 | 163996 | Bulbholder |
| 81 | 109748X | Relay Asm |

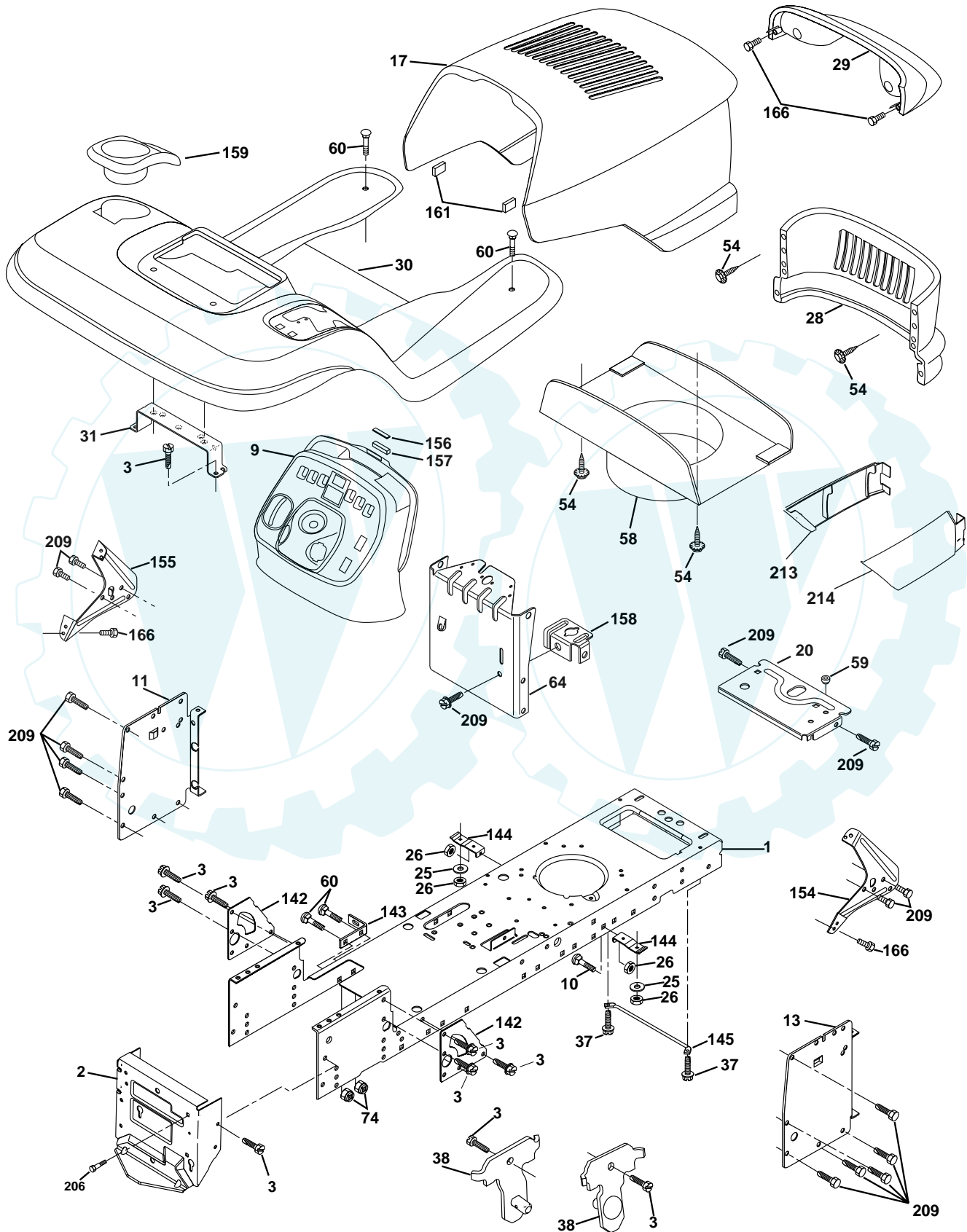
NOTE: All component dimensions given in U.S. inches.
1 inch = 25.4 mm.

REPAIR PARTS

www.ersatzteil-service.de

TRACTOR - MODEL NUMBER DPR22H46STA

CHASSIS AND ENCLOSURES



TRACTOR - MODEL NUMBER DPR22H46STA

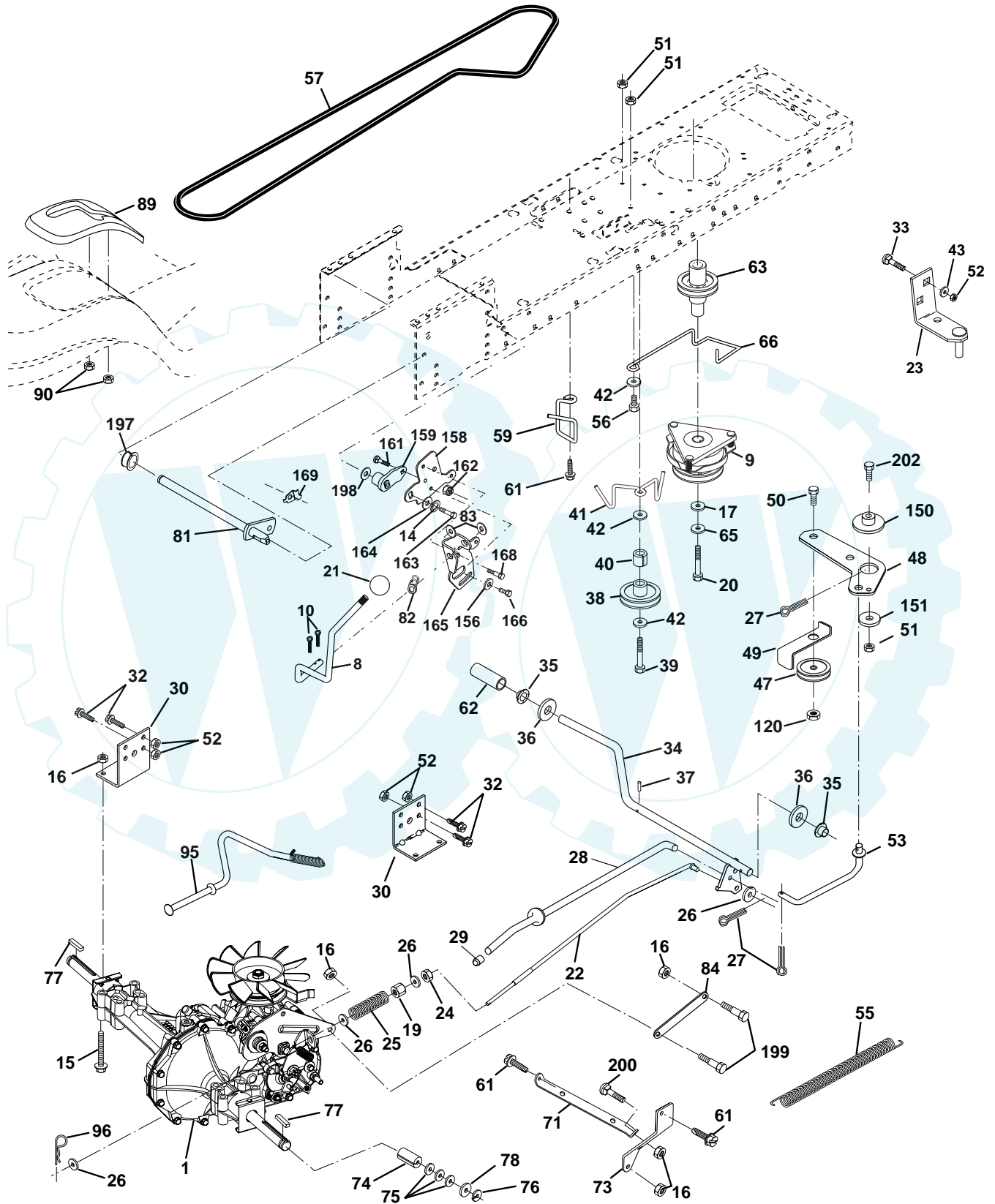
CHASSIS AND ENCLOSURES

| KEY NO. | PART NO. | DESCRIPTION | KEY NO. | PART NO. | DESCRIPTION |
|---------|------------|----------------------------------|---------|------------|----------------------------------|
| 1 | 169830 | Chassis | 55 | 144696 | Bracket Grille Rh |
| 2 | 176554 | Drawbar | 57 | 74780412 | Bolt Hex 1/4-20 x 3/4 |
| 3 | 17060612 | Screw 3/8-16x3/4 | 58 | 161236 | Duct Hood |
| 9 | 163976X428 | Dash | 59 | 110436X | Bushing Snap |
| 10 | 72140608 | Bolt Carriage 3/8-16 x 1 | 60 | 72140606 | Bolt RdHd Sqnk 3/8-16 Unc x 3/4 |
| 11 | 167203 | Panel Dash Lh | 64 | 162025 | Dash Lower |
| 12 | 145660 | Clip Tinnerman | 68 | 73510400 | Nut Keps Hex 1/4-20 Unc |
| 13 | 167202 | Panel Dash Rh | 74 | 73680600 | Nut Crownlock 3/8-16 Unc |
| 17 | 175259X428 | Hood | 142 | 165867 | Plate Reinforcement STLT |
| 18 | 126938X | Bumper Hood | 143 | 154966 | Bracket Swaybar Chassis |
| 20 | 162026 | Plate Battery | 144 | 154207 | Bracket Footrest |
| 23 | 124028X | Bushing | 145 | 156524 | Rod Pivot Chassis/Hood |
| 24 | 74780616 | Bolt Fin Hex 3/8-16 x 1 Gr 5 | 154 | 161897 | Bracket Dash Rh |
| 25 | 19131312 | Washer 13/32 X 13/16 X 12 Ga | 155 | 161900 | Bracket Dash Lh |
| 26 | 73800600 | Nut Lock Hex W/Ins 3/8-16 Unc | 156 | 163805 | Striker Plate |
| 28 | 175289X428 | Grille | 157 | 163806 | Magnet Stealth |
| 29 | 161235 | Lens | 158 | 162037 | Bracket Parking Brake |
| 30 | 164919X428 | Fender | 159 | 155123X428 | Cupholder |
| 31 | 139976 | Bracket Fender | 161 | 164655 | Extrusion Bumper |
| 33 | 145244X428 | Footrest Pnt Lh | 166 | 164863 | Screw HwHd Hi-Lo #13-16 x 3/4 |
| 34 | 145243X428 | Footrest Pnt Rh | 195 | 166822X428 | Panel Pnt Fender YT/GT |
| 35 | 72110606 | Bolt Rdhd Sht Sqnk 3/8-16 x 3/4 | 196 | 17580408 | Screw Tap Tite 1/4-20 x 1/2 |
| 37 | 17490508 | Screw Thdrol 6/16-18 x 1/2 TYT | 206 | 170165 | Bolt Shoulder 5/16-18 |
| 38 | 169834 | Bracket, Asm. Pivot Mower Rear | 207 | 17670508 | Screw Thdrol 5/16-18 x 1/2 |
| 44 | 140675 | Strap Asm Fender | 208 | 17670608 | Screw Thdrol 3/8-16 x 1/2 |
| 49 | 17490412 | Screw Hexwsh Thdrol 1/4-20 x 3/4 | 209 | 17000612 | Screw Hexwsh Thdrol 3/8-16 x 3/4 |
| 50 | 142779 | Brace Support Dash P/L | 212 | 156229 | Insert Lens Reflective |
| 51 | 73800400 | Nut Lock Hex W/Ins 1/4-20 | 213 | 169848X428 | Skirt Grille Lh |
| 52 | 19091416 | Washer 9/32 x 7/8 x 16 Ga. | 214 | 169847X428 | Skirt Grille Rh |
| 53 | 144697 | Bracjet Grukke Lh | | | |
| 54 | 161464 | Screw Hex Wshd 8-18 x 7/8 | | | |

NOTE: All component dimensions given in U.S. inches
1 inch = 25.4 mm

TRACTOR - MODEL NUMBER DPR22H46STA

DRIVE



TRACTOR - MODEL NUMBER DPR22H46STA

DRIVE

| KEY NO. | PART NO. | DESCRIPTION | KEY NO. | PART NO. | DESCRIPTION |
|---------|----------|--|---------|------------|-----------------------------------|
| 1 | ----- | Transaxle, Hydro Gear 314-0510 (Order Parts From Transaxle Manufacturer) | 59 | 169691 | Keeper, Center Span |
| 8 | 165866 | Rod Shift Fender | 61 | 17060612 | Screw 3/8-16 x 3/4 |
| 9 | 137140 | Clutch Electric | 62 | 8883R | Cover, Pedal |
| 10 | 76020416 | Pin Cotter 1/8 x 1 CAD | 63 | 140189 | Pulley, Engine |
| 14 | 10040400 | Washer Lock Hvy Helical | 65 | 10040700 | Washer |
| 15 | 74490544 | Bolt Hex Flghd 5/16-18 Gr. 5 | 66 | 154778 | Keeper Belt Engine Hydro |
| 16 | 73800500 | Nut Lock Hex W/Ins. 5/16-18 Unc | 71 | 169183 | Strap Torque Lh Hydro |
| 17 | 126197X | Washer 1-1/2 OD x 15/32 ID x .250 | 73 | 169182 | Strap Torque Rh Hydro |
| 19 | 73800600 | Nut Lock Hex W/Wsh 3/8-16 Unc | 74 | 137057 | Spacer, Axle |
| 20 | 150280 | Bolt, Hex 7/16-20 x 4-1/4 | 75 | 121749X | Washer 25/32 x 1-1/4 x 16 Ga. |
| 21 | 140845 | Knob Deluxe | 76 | 12000001 | E-Ring |
| 22 | 169498 | Rod, Brake Hydro | 77 | 123583X | Key, Square |
| 23 | 137141 | Bracket Asm. CVX | 78 | 121748X | Washer 25/32 x 1-5/8 x 16 Ga. |
| 24 | 73350600 | Locknut | 81 | 165596 | Shaft Asm. Cross Hydro |
| 25 | 106888X | Spring, Brake Rod | 82 | 165711 | Spring Torsion T/A |
| 26 | 19131316 | Washer | 83 | 19171216 | Washer 17/32 x 3/4 x 16 Ga. |
| 27 | 76020412 | Pin Cotter 1/8 x 3/4 CAD. | 84 | 169594 | Link Transaxle |
| 28 | 145204 | Rod, Parking Brake | 89 | 164890X428 | Console, Shift |
| 29 | 71673 | Cap, Parking Brake | 90 | 124346X | Nut Self-Thd Wsh-Hd 1/4 |
| 30 | 169592 | Bracket, Transaxle | 95 | 170201 | Control Asm. Bypass Hydro |
| 32 | 74760512 | Bolt Hex Hd 5/16-18 Unc x 3/4 | 96 | 4497H | Retainer Spring 1" Zinc/Cad |
| 33 | 72140506 | Bolt Carriage 5/16-18 UNC x 3/4 | 120 | 73900600 | Nut Lock Flg. 3/8-16 Unc |
| 34 | 155071 | Shaft, Foot Pedal | 144 | 19111016 | Washer 11/32 x 5/8 x 16 Ga. |
| 35 | 120183X | Bearing, Nylon | 150 | 165850 | Bushing Bellcrank Grd Drive |
| 36 | 19211616 | Washer | 151 | 19133210 | Washer 13/32 x 2 x 10 Ga. |
| 37 | 1572H | Pin, Roll | 156 | 166002 | Washer Srrted 5/16ID x 1.125 |
| 38 | 131494 | Pulley, Idler, Flat | 158 | 165589 | Bracket Shift Mount |
| 39 | 74760644 | Bolt | 159 | 165494 | Hub Tapered Flange Shift Lt |
| 40 | 4470J | Spacer Split | 161 | 72140406 | Bolt Rdhd Sqnk 1/4-20 x 3/4 Gr. 5 |
| 41 | 165838 | Keeper, Belt Idler Fool-Proof | 162 | 73680400 | Nut Crownlock 1/4-20 Unc |
| 42 | 19131312 | Washer 13/32 x 13/16 x 12 Gauge | 163 | 74780416 | Bolt Hex Fin 1/4-20 Unc x 1 Gr. 5 |
| 43 | 19111012 | Washer 11/32 x 5/8 x 12 Ga. | 164 | 19091010 | Washer 5/8 x .281 x 10 Ga |
| 47 | 127783 | Pulley, Idler, V-Groove | 165 | 165623 | Bracket Pivot Lever |
| 48 | 154407 | Bellcrank Clutch Grnd Drv Stl | 166 | 166880 | Screw 5/16-18 x 5/8 |
| 49 | 123205X | Retainer, Belt | 168 | 165492 | Bolt Shoulder 5/16-18 x .561 |
| 50 | 74760624 | Bolt | 169 | 165580 | Plate Fastening Lt\ |
| 51 | 73680600 | Nut | 197 | 169613 | Nyliner Snap-In 5/8" ID |
| 52 | 73680500 | Nut Crown Lock 5/16-18 | 198 | 169593 | Washer Nyliner 7/8 ID x .105 |
| 53 | 105710X | Link, Clutch | 199 | 169612 | Bolt Shoulder 5/16-18 Unc |
| 55 | 105709X | Spring, Return, Clutch | 200 | 72140508 | Bolt Rdhd Sqnk 5/16-18 UNC x 1 |
| 56 | 74760620 | Bolt | 202 | 72110612 | Bolt Carr Sh 3/8-16 x 1-1/2 Gr.5 |
| 57 | 140294 | V-Belt, Ground Drive | | | |

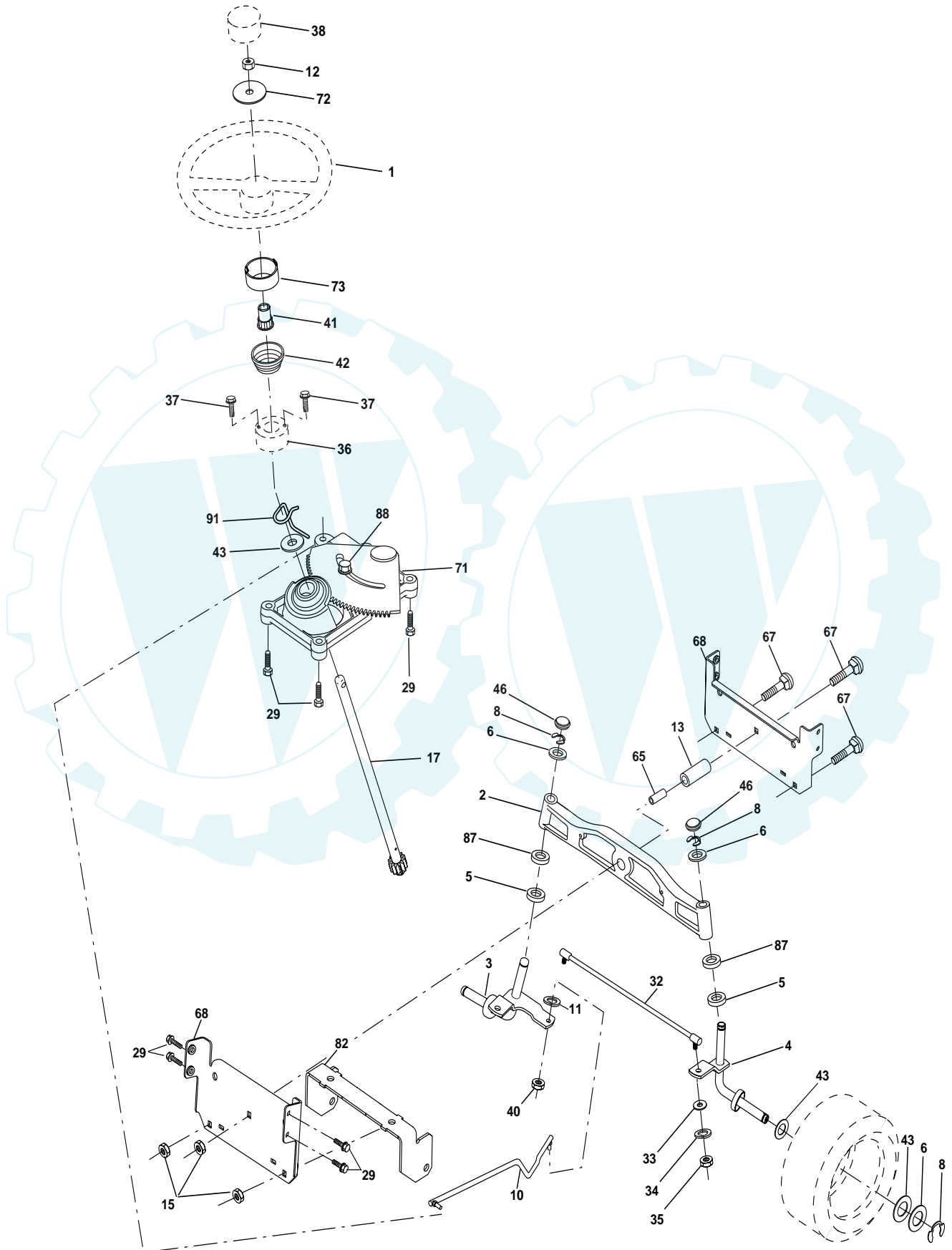
NOTE: All component dimensions give in U.S. inches.
1 inch = 25.4 mm

REPAIR PARTS

www.ersatzteil-service.de

TRACTOR - MODEL NUMBER DPR22H46STA

STEERING ASSEMBLY



TRACTOR - MODEL NUMBER DPR22H46STA

STEERING ASSEMBLY

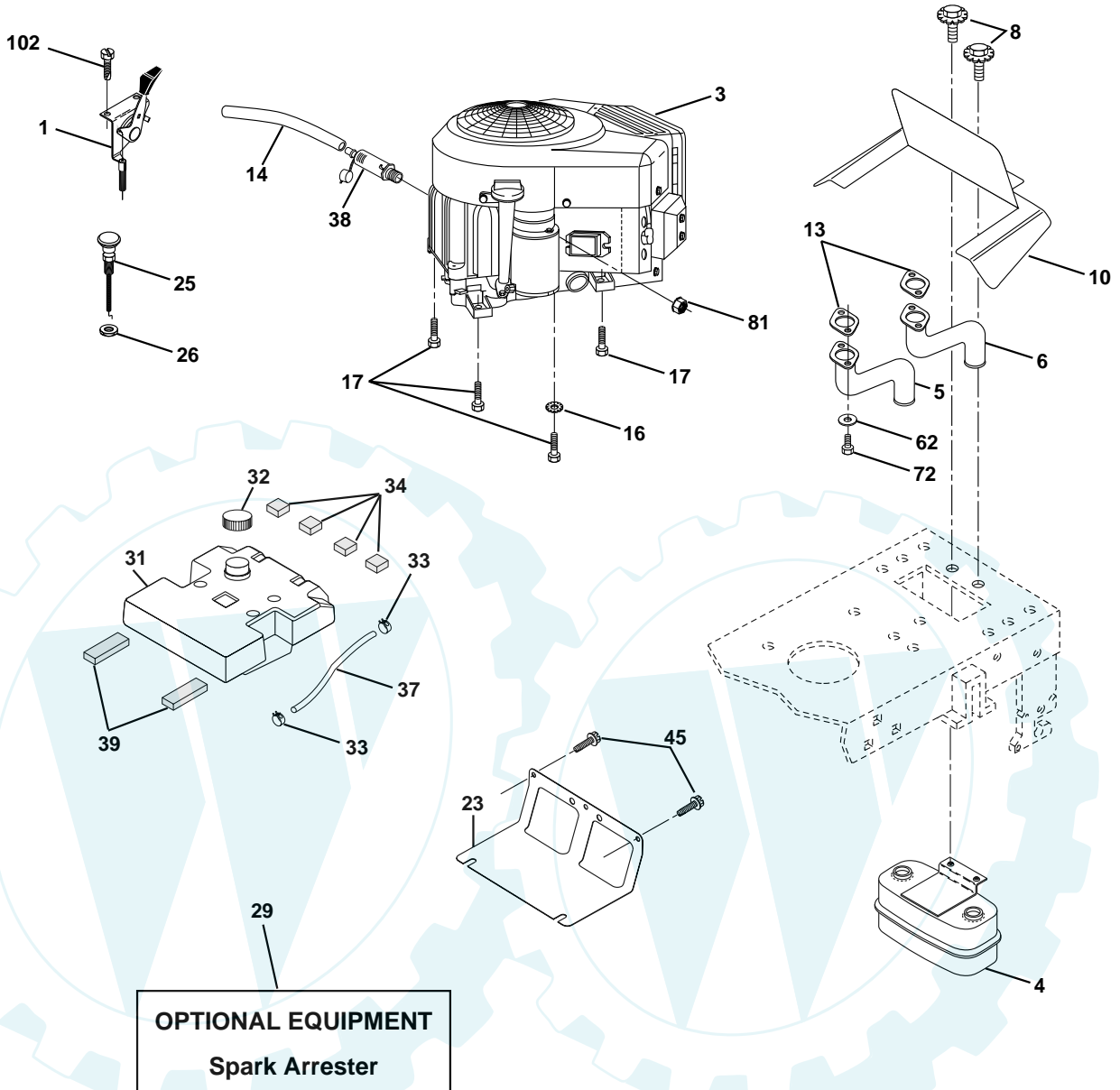


| KEY NO. | PART NO. | DESCRIPTION |
|---------|------------|---------------------------------|
| 1 | 159944X428 | Wheel Steering |
| 2 | 172393 | Axle Cast Lt Machined |
| 3 | 169840 | Spindle Asm LH |
| 4 | 169839 | Spindle Asm RH |
| 5 | 6266H | Bearing Race Thrust Harden |
| 6 | 121748X | Washer 25/32 X 1-5/8 X 16 Ga |
| 8 | 12000029 | Ring Klip #t5304-75 |
| 10 | 169832 | Link Drag |
| 11 | 10040600 | Washer Lock Hvy Hlcl Spr 3/8 |
| 12 | 73940800 | Nut Hex Jam Toplock 1/2-20 UNF |
| 13 | 136518 | Spacer Brg Axle Front |
| 15 | 145212 | Nut Hex Flange Lock |
| 17 | 156543 | Shaft Asm Strg |
| 18 | 57079 | Washer Thrust 515x 750x 033 |
| 19 | 160395 | Support Shaft |
| 22 | 165857 | Screw Hex Wsh Hd Torx |
| 23 | 165851 | Shaft Asm Pittman |
| 25 | 154406 | Bracket Steering |
| 27 | 136874 | Gear Sector 22 Teeth |
| 29 | 17060612 | Screw 3/8-16x3/4 |
| 32 | 171888 | Rod Tie |
| 33 | 19111216 | Washer 11/32 x 3/4 x 16 Ga. |
| 34 | 10040500 | Washer Lock Hry Hlcl Spr 5/16 |
| 35 | 73540500 | Nut Crownlock 5/16 - 24 UNF |
| 36 | 155104 | Bushing Strg |
| 37 | 152927 | Screw TT #32.5 x 5 x 3/8 Flange |
| 38 | 159946X428 | Cap Wheel Steer |
| 40 | 7810H | Nut Lock Center 3/8-24 Unf |
| 41 | 159945 | Adaptor Wheel Strg |
| 42 | 163888X428 | Boot Steering |
| 43 | 121749X | Washer 25/32 X 1 1/4 X 16 Ga |
| 46 | 121232X | Cap Spindle Fr Top Blk |
| 62 | 167905 | Steering Assembly |
| 65 | 160367 | Spacer Brace Axle |
| 66 | 154404 | Bearing Arm Pittm-an |
| 67 | 72140618 | Bolt Rdhd Sqn 3/8-16 x 2-1/4 |
| 68 | 169827 | Brace, Axle |
| 72 | 19182411 | Washer 9/16 ID x 1/20 OD 11 Ga. |
| 73 | 160135X428 | Extension Steering |
| 79 | 19132012 | Washer 13/32 x 1-1/4 x 12 Ga. |
| 80 | 74950612 | Bolt Hex Nylon 3/8-16 x 3/4 |
| 82 | 169835 | Bracket Susp Chassis Front |
| 87 | 173966 | Washer Flat .781 x 1-1/2 x .14 |

NOTE: All component dimensions given in U.S. inches.
1 inch = 25.4 mm.

TRACTOR - MODEL NUMBER DPR22H46STA

ENGINE



| KEY NO. | PART NO. | DESCRIPTION |
|---------|----------|---|
| 1 | 164067 | Control Throttle |
| 2 | 17720410 | Screw Hex Thd Cut 1/4-20x5/8 T |
| 3 | ----- | Engine, Briggs Model 407777 (Order parts from engine mfg.) |
| 4 | 149723 | Muffler Asm Twin Lo-Tone |
| 5 | 159955 | Pipe Exhaust LH Intek |
| 6 | 160589 | Pipe Exhaust RH Intek |
| 8 | 171877 | Bolt 5/16-18 UNC x 3/4 w/Sems |
| 10 | 162797 | Shield Browning Intek II |
| 13 | 165391 | Muffler Gasket |
| 14 | 148456 | Tube Drain Oil Easy |
| 16 | 11050600 | Washer Lock Ext Tooth 3/8 |
| 17 | 17490624 | Screw Thdrol 3/8-16 x 1-1/2 |
| 23 | 169837 | Shield Heat |
| 25 | 164068 | Choke Control |
| 26 | 73920600 | Nut, Keps 3/8-24 UNF |

| KEY NO. | PART NO. | DESCRIPTION |
|---------|----------|--------------------------------|
| 29 | 137180 | Kit Spark Arrestor (Flat Scrn) |
| 31 | 157103 | Tank Fuel 3 50 Rear |
| 32 | 140527 | Cap Asm Fuel W/sym Vented |
| 33 | 123487X | Clamp Hose Black |
| 34 | 106082X | Pad, Spacer |
| 37 | 8543R | Line Fuel |
| 38 | 148315 | Plug Drain Oil Easy |
| 39 | 109227X | Pad, Idler |
| 45 | 17000612 | Screw Hexwsh Thdr 3/8-16 x 3/4 |
| 62 | 10040500 | Washer Lock 5/16 |
| 72 | 71070512 | Screw Hex Hd Cap 5/16-18 x 3/4 |
| 81 | 73510400 | Nut Keps Hex 1/4-20 UNC |
| 102 | 164863 | Screw HwHd Hi-Lo #13-16 x 3/4 |

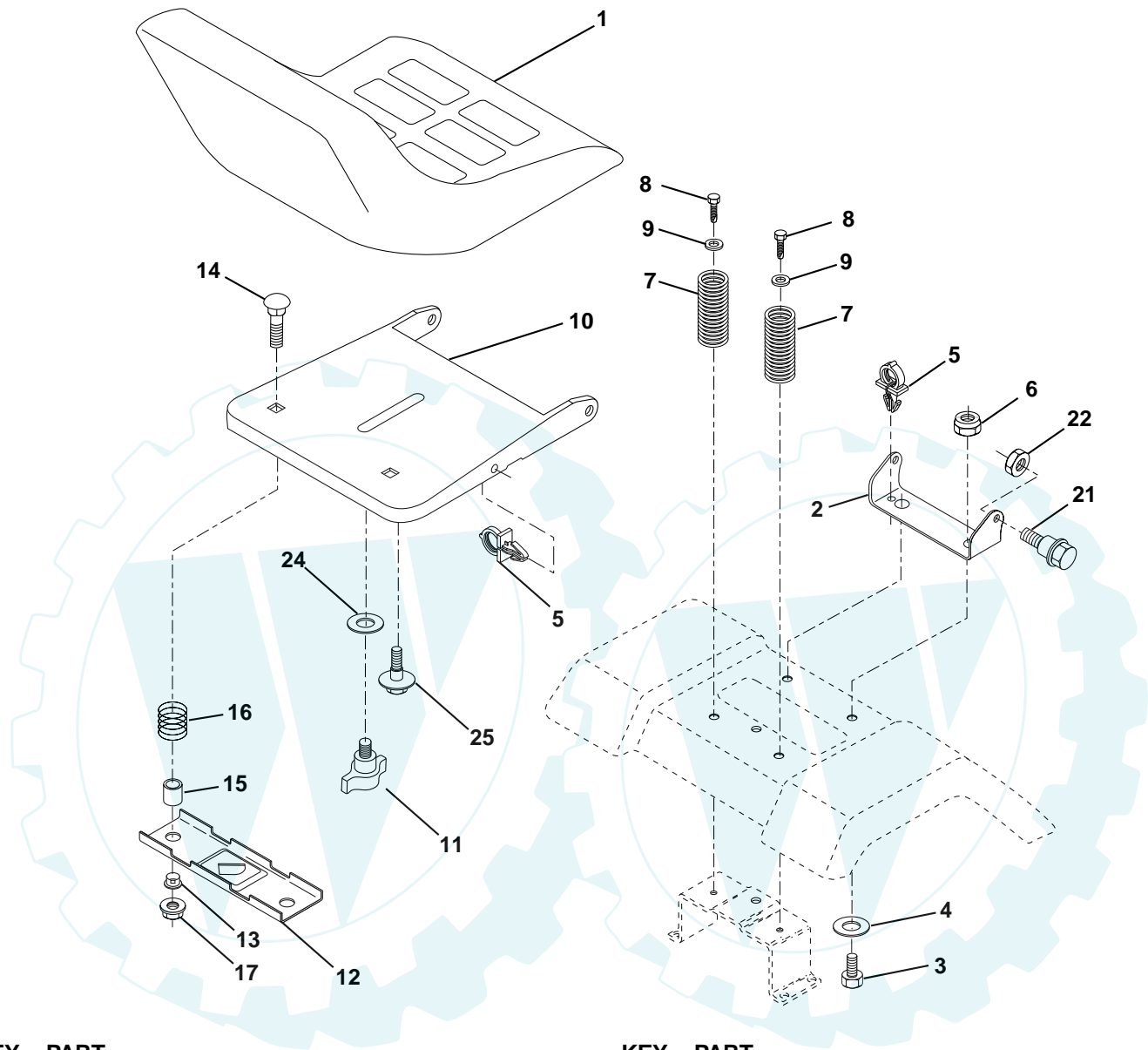
NOTE: All component dimensions given in U.S. inches
1 inch = 25.4 mm

REPAIR PARTS

www.ersatzteil-service.de

TRACTOR - MODEL NUMBER DPR22H46STA

SEAT ASSEMBLY



| KEY NO. | PART NO. | DESCRIPTION | KEY NO. | PART NO. | DESCRIPTION |
|---------|----------|--------------------------------|---------|----------|--------------------------------|
| 1 | 171684 | Seat | 14 | 72050412 | Bolt Rdhd Sqnk 1/4-20x1-1/2 |
| 2 | 140551 | Bracket Pivot Seat 8 720 | 15 | 121249X | Spacer Split 28x 88 |
| 3 | 71110616 | Bolt Fin Hex 3/8-16 Unc x 1 | 16 | 123740X | Spring Cprsn |
| 4 | 19131610 | Washer Flat 13/32 x 1 x 10 Ga. | 17 | 123976X | Nut Lock 1/4 Lge Flg Gr 5 Zinc |
| 5 | 145006 | Clip Push-In | 21 | 171852 | Bolt Shoulder 5/16-18 Unc |
| 6 | 73800600 | Nut Hex w/Ins. 3/8-16 Unc | 22 | 73800500 | Nut Hex Lock W/Ins 5/16-18 |
| 7 | 124181X | Spring Seat Cprsn 2 250 Blk Zi | 24 | 19171912 | Washer 17/32 X 1-3/16 X 12 Ga. |
| 8 | 17000616 | Screw 3/8-16 x 1 | 25 | 127018X | Bolt Shoulder 5/16-18 X 62 |
| 9 | 19131614 | Washer 13/32 x 1 x 14 Ga. | 27 | 17490608 | Screw Thdrol 3/8-16 x 1/2 |
| 10 | 174894 | Pan Seat | 28 | 171877 | Bolt 5/16-18 Unc x 3/4 w/Sems |
| 11 | 166369 | Knob Seat Adj. Wingnut | | | |
| 12 | 121246X | Bracket Mounting Switch | | | |
| 13 | 121248X | Bushing Snap Blk Nyl 50 Id | | | |

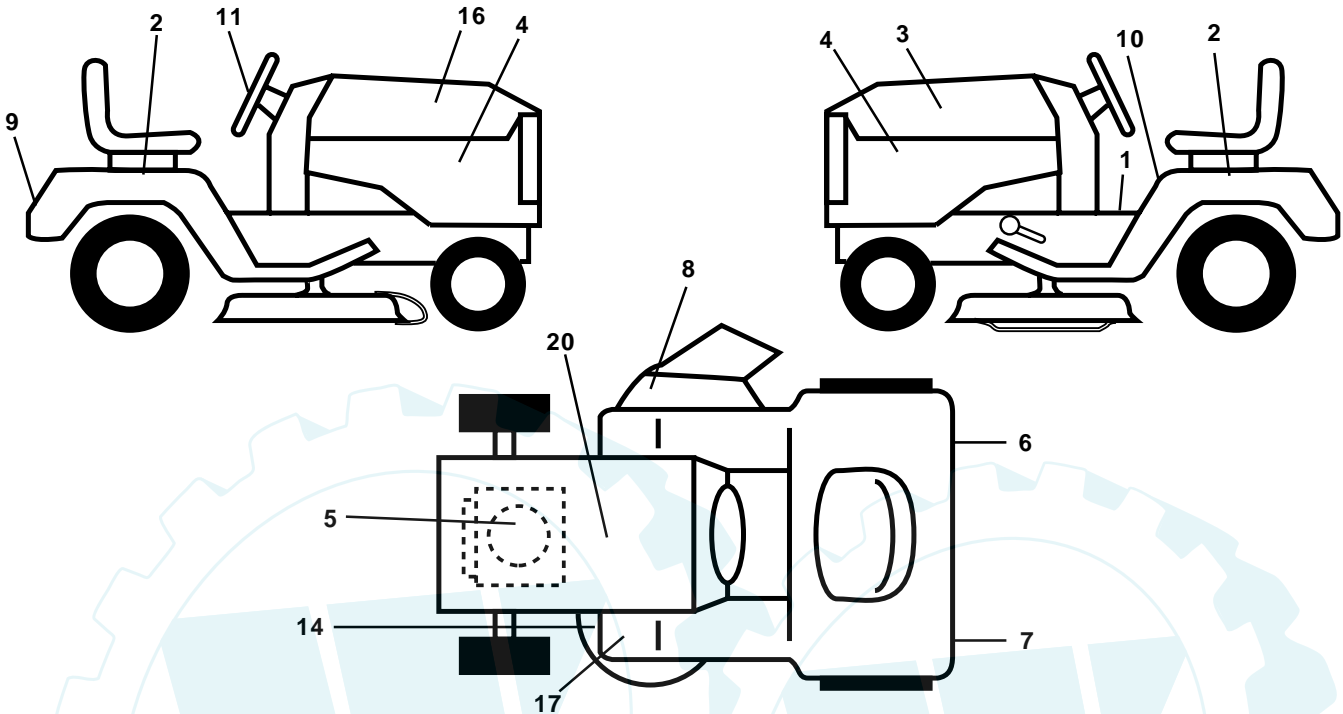
NOTE: All component dimensions given in U.S. inches.
1 inch = 25.4 mm

REPAIR PARTS

www.ersatzteil-service.de

TRACTOR - MODEL NUMBER DPR22H46STA

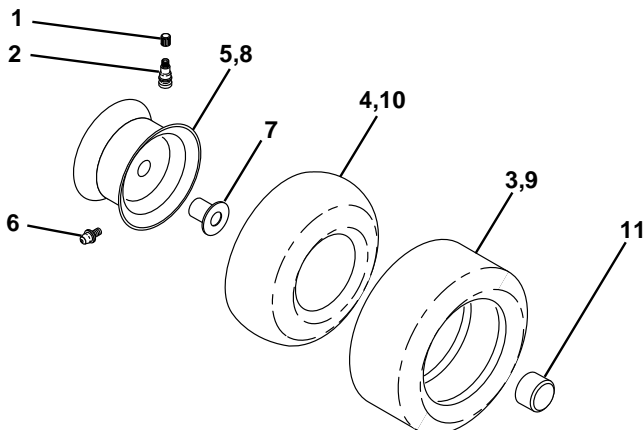
DECALS



| KEY NO. | PART NO. | DESCRIPTION |
|---------|----------|-------------------------|
| 1 | 164095 | Decal Dash |
| 2 | 176303 | Decal Fender Auto |
| 3 | 176273 | Decal Hood LH |
| 4 | 176274 | Decal Side Panel |
| 5 | 170852 | Decal HP Engine |
| 6 | 173587 | Decal Reflector Rh |
| 7 | 173589 | Decal Reflector Lh |
| 8 | 170563 | Decal Warning Mower |
| 9 | 172740 | Decal Fender Logo |
| 10 | 157140 | Decal Fender Danger E/F |

| KEY NO. | PART NO. | DESCRIPTION |
|---------|------------|--------------------------------|
| 11 | 172743 | Decal Ins Strg Whl |
| 14 | 160397 | Decal V-Belt Schematic |
| 16 | 176272 | Decal Hood Rh |
| 17 | 164657 | Decal Clutch |
| 20 | 145005 | Decal Bat Dan/Psn |
| -- | 169210 | Decal By Pass Lt Hydro |
| -- | 165800X428 | Pad Footrest Lh |
| -- | 138311 | Decal Handle Lft Height Adjust |
| -- | 165799X428 | Pad Footrest Rh |
| -- | 176975 | Manual Owner's (English) |
| -- | 176976 | Manual Owner's (French) |

WHEELS & TIRES



| KEY NO. | PART NO. | DESCRIPTION |
|---------|------------|-----------------------------------|
| 1 | 59192 | Cap Valve Tire |
| 2 | 65139 | Stem Valve |
| 3 | 170455 | Tire F T 15 X 6 0 - 6 Service |
| 4 | 59904 | Tube Front (Service Item Only) |
| 5 | 106732X421 | Rim Asm 6"front Service |
| 6 | 278H | Fitting Grease (Front Wheel Only) |
| 7 | 9040H | Bearing Flange (Front Wheel Only) |
| 8 | 106108X421 | Rim Asm 8"rear Service |
| 9 | 170456 | Tire R T 20x10 -8 C Service |
| 10 | 7152J | Tube Rear (Service Item Only) |
| 11 | 104757X428 | Cap Axle Blk 1 50 X 1 00 |
| -- | 144334 | Sealant, Tire (10 oz. Tube) |

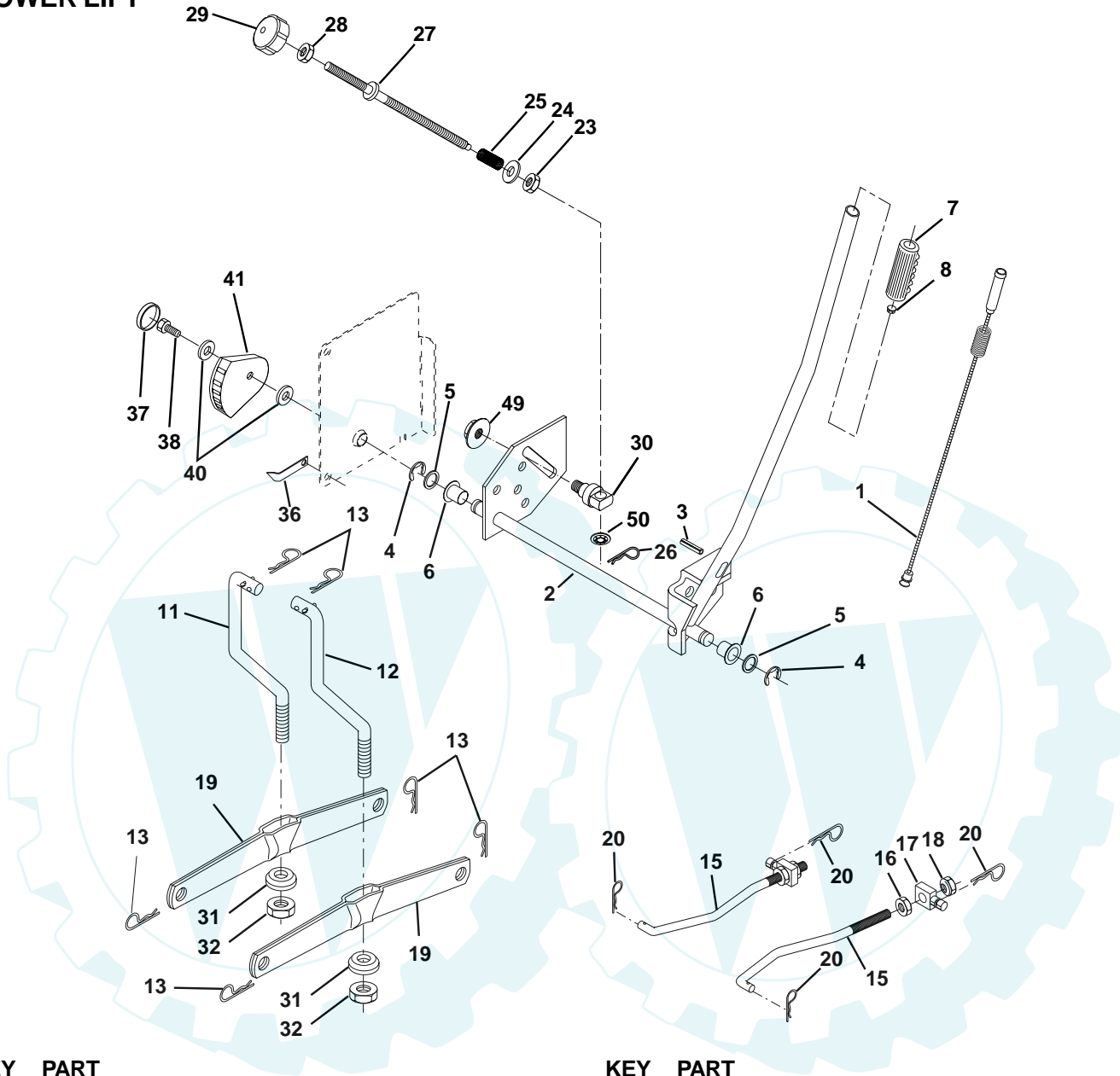
NOTE: All component dimensions given in U.S. inches
1 inch = 25.4 mm

REPAIR PARTS

www.ersatzteil-service.de

TRACTOR - MODEL NUMBER DPR22H46STA

MOWER LIFT



| KEY NO. | PART NO. | DESCRIPTION |
|---------|----------|-------------------------------|
| 1 | 159461 | Wire Asm Inner/Sprg W/plunger |
| 2 | 159476 | Shaft Asm Lift RH w/Inf |
| 3 | 138284 | Pin Groove |
| 4 | 12000002 | E Ring #5133-62 |
| 5 | 19211621 | Washer 21/32 X 1 X 21 Ga |
| 6 | 120183X | Bearing Nylon Blk 629 Id |
| 7 | 125631X | Grip Handle |
| 8 | 170770 | Button Plunger |
| 11 | 139865 | Link Lift LH Fixed Length |
| 12 | 139866 | Link Lift RH Fixed Length |
| 13 | 4939M | Retainer Spring |
| 15 | 173288 | Link Front |
| 16 | 73350800 | Nut Jam Hex 1/2-13 Unc |
| 17 | 130171 | Trunnion Blk Zinc |
| 18 | 73800800 | Nut Lock w/Wsh 1/2-13unc |
| 19 | 139868 | Arm Suspension Rear |
| 20 | 163552 | Retainer Spring |
| 23 | 110807X | Nut Special |

| KEY NO. | PART NO. | DESCRIPTION |
|---------|----------|--------------------------------|
| 24 | 19131016 | Washer 13/32 X 5/8 X 16 Ga |
| 25 | 164024 | Spring |
| 26 | 169484 | Retainer Clip |
| 27 | 164543 | Rod Adj Lift |
| 28 | 73350600 | Nut Hex Jam 3/8-16 Unc |
| 29 | 138057 | Knob Inf 3/8-16 Unc Blk W/sym |
| 30 | 150233 | Trunnion Infin Height |
| 31 | 169865 | Bearing Pvt Lift |
| 32 | 73540600 | Nut Crownlock 3/8 - 24 |
| 36 | 155097 | Pointer Height Indicator |
| 37 | 123935X | Plug Hole Blk 1.485/1.515 Dia. |
| 38 | 17060516 | Screw 5/16-18 x 1 |
| 40 | 19112410 | Washer 11/32 x 1-1/2 10 Ga. |
| 41 | 155098 | Indicator Height STLT |
| 49 | 145212 | Nut Hex Flange Lock |
| 50 | 110452X | Nut PUsh Phos & Oil |

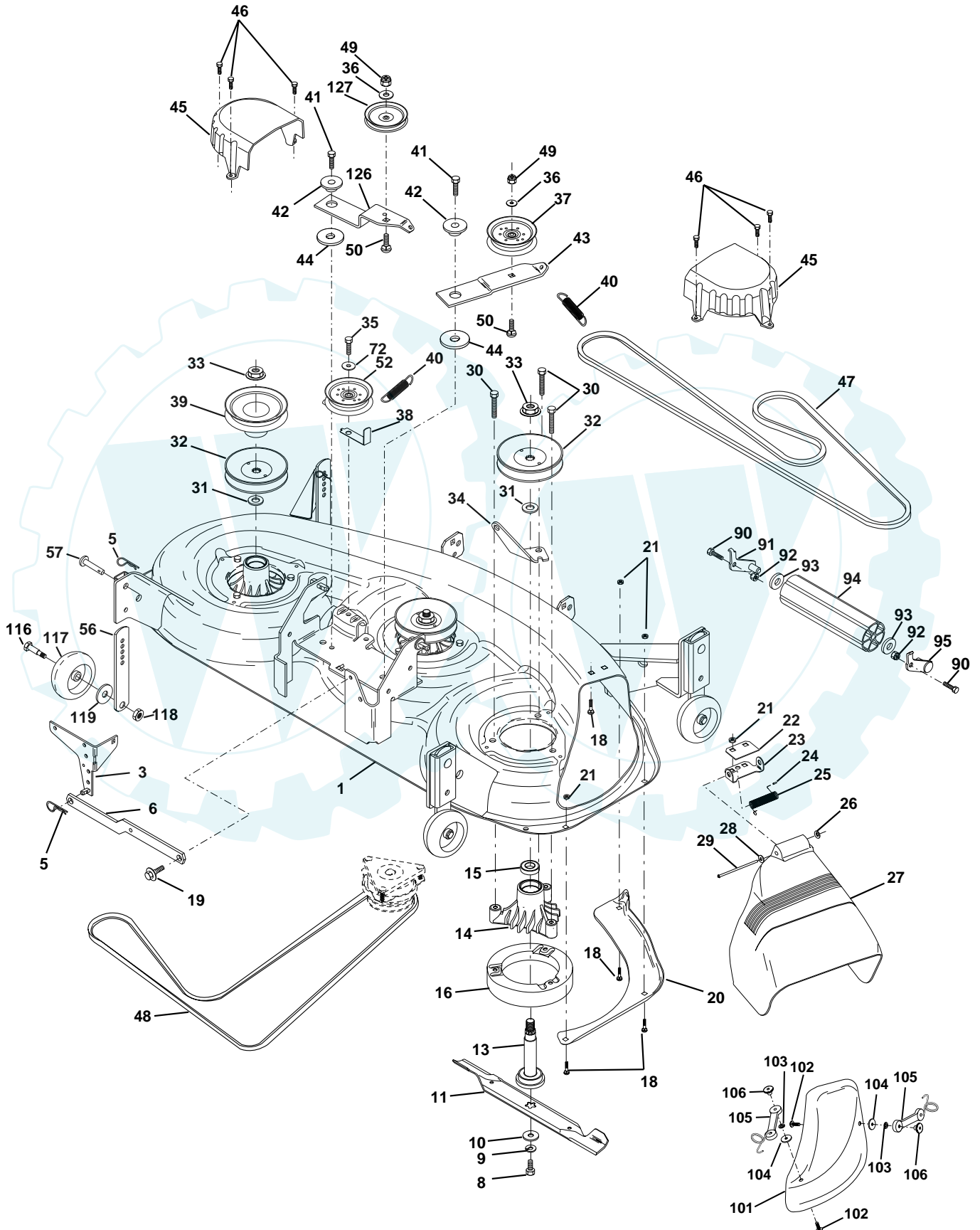
NOTE: All component dimensions given in U.S. inches
1 inch = 25.4 mm

REPAIR PARTS

www.ersatzteil-service.de

TRACTOR - MODEL NUMBER DPR22H46STA

MOWER DECK



TRACTOR - MODEL NUMBER DPR22H46STA

MOWER DECK

| KEY NO. | PART NO. | DESCRIPTION | KEY NO. | PART NO. | DESCRIPTION |
|---------|------------|------------------------------------|---------|------------|---|
| 1 | 156833X421 | Deck Asm., Mower 46" | 43 | 144949X421 | Arm, Idler Secondary |
| 3 | 138457 | Bracket Asm., Sway Bar | 44 | 133943 | Washer, Hardened |
| 5 | 4939M | Retainer Spring | 45 | 145059 | Cover, Mandrel Deck |
| 6 | 130832 | Arm, Suspension, Rear (Sway Bar) | 46 | 137729 | Screw, Thdroll. 1/4-20 x 5/8 |
| 8 | 850857 | Bolt, Patched 3/8-24 x 1-1/4 Gr. 8 | 47 | 144959 | V-Belt, Mower, Secondary |
| 9 | 10030600 | Washer, Lock Hvy., Unplated 3/8 | 48 | 148763 | V-Belt, Mower, Primary |
| 10 | 140296 | Washer, Hard Blade, Mower Vented | 49 | 73680600 | Nut, Crownlock 3/8-16 UNC |
| 11 | 170698 | Blade, 46" Hi Perf | 50 | 72110612 | Bolt, Carriage 3/8-16 x 1-1/2 Gr. 5 |
| -- | 152443 | Blade, 46" Mulching | 52 | 173901 | Pulley Idler 46 Pri. Drive |
| 13 | 137553 | Shaft Asm. w/Lower Bearing | 56 | 155986 | Bar Adjusting Gauge wheel |
| 14 | 137152 | Housing, Mandrel | 57 | 156941 | Pin Head Rivet |
| 15 | 110485X | Bearing, Ball, Mandrel | 72 | 19131616 | Washer 13/32 x 1 x 16 Ga. |
| 16 | 174493 | Stripper, Mower Round | 90 | 74760616 | Bolt, Fin, Hex 3/8-16 UNC x 1 |
| 18 | 72140505 | Bolt, Carriage 5/16-18 x 5/8 | 91 | 132274 | Bracket, Asm Noseroller, LH |
| 19 | 132827 | Bolt, Hex Head, Shoulder 5/16-18 | 92 | 73800600 | Nut, Lock, Hex w/Ins 3/8-16UNC |
| 20 | 145055 | Baffle, Vortex Mower 46" | 93 | 19171416 | Washer 17/32 x 7/8 x 16 Ga. |
| 21 | 73680500 | Nut, Crownlock 5/16-18 UNC | 94 | 132264 | Roller, Nose 38 & 42 |
| 22 | 134753X421 | Stiffener, Bracket | 95 | 132273 | Bracket, asm Noseroller RH |
| 23 | 131267X421 | Bracket, Deflector | 101 | 145579 | Cover Mulcher 46" Black |
| 24 | 105304X | Cap, Sleeve | 102 | 71161010 | Screw Phillips Truss Head |
| 25 | 149287 | Spring, Torsion, Deflector | 103 | 10071000 | Washer Lock #10 |
| 26 | 110452X | Nut, Push | 104 | 19061216 | Washer #10 |
| 27 | 166883X428 | Shield, Deflector Mower | 105 | 160793 | Latch Asm mulch/Bagger |
| 28 | 19111016 | Washer 11/32 x 5/8 x 16 Ga. | 106 | 2029J | Nut Weld |
| 29 | 131491 | Rod, Hinge | 116 | 137644 | Bolt, Shoulder |
| 30 | 157722 | Screw, WshHead, Thdroll | 117 | 133957 | Gauge Wheel |
| 31 | 129963 | Washer, Spacer Mower Vented | 118 | 73930600 | Nut, Centerlock 3/8-16 UNC |
| 32 | 173434 | Pulley, Mandrel | 119 | 19121414 | Washer 3/8 x 7/8 x 14 Ga. |
| 33 | 137266 | Nut, Flg. Top Lock Cntr. 9/16 | 126 | 144948X421 | Arm, Idler, Primary Deck 46" |
| 34 | 144945X421 | Anchor, Spring Deck 46" | 127 | 173902 | Pulley, Idler, V-Groove Dim. 4.25 |
| 35 | 17490628 | Screw, Thdroll 3/8-16 x 1-3/4 Tytt | -- | 143651 | Mandrel Assembly (Includes Key Nos. 8-10, 13-15, 31 and 33) |
| 36 | 19131316 | Washer 13/32 x 13/16 x 16 Ga. | -- | 173559 | Mower Serv 46" (Standard Deck Order nose roller, gauge wheels, and mulch plate separately Key Nos. 90-95, 101-106, and 116-118) |
| 37 | 173438 | Pulley, Idler, Flat | | | |
| 38 | 173900 | Keeper, Belt, Idler | | | |
| 39 | 173899 | Pulley, Idler, Driven | | | |
| 40 | 137273 | Spring, Secondary 44/46/50 Vent | | | |
| 41 | 17060620 | Screw 3/8-16 x 1-1/4 | | | |
| 42 | 122052X | Spacer, Retainer | | | |

NOTE: All component dimensions given in U.S. inches
1 inch = 25.4 mm