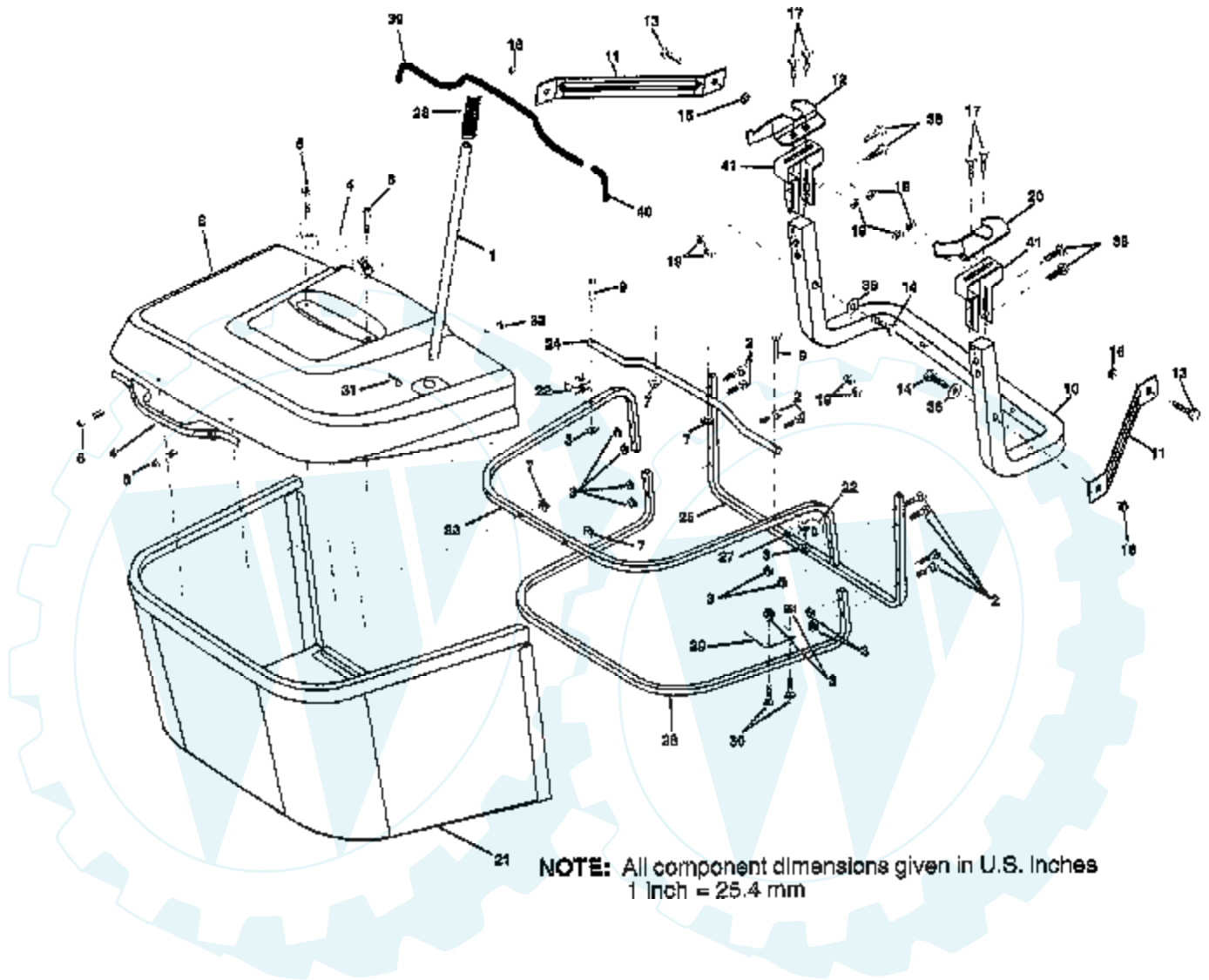


TRACTOR- -MODEL NO. 12HP92 (DE1236RBB)

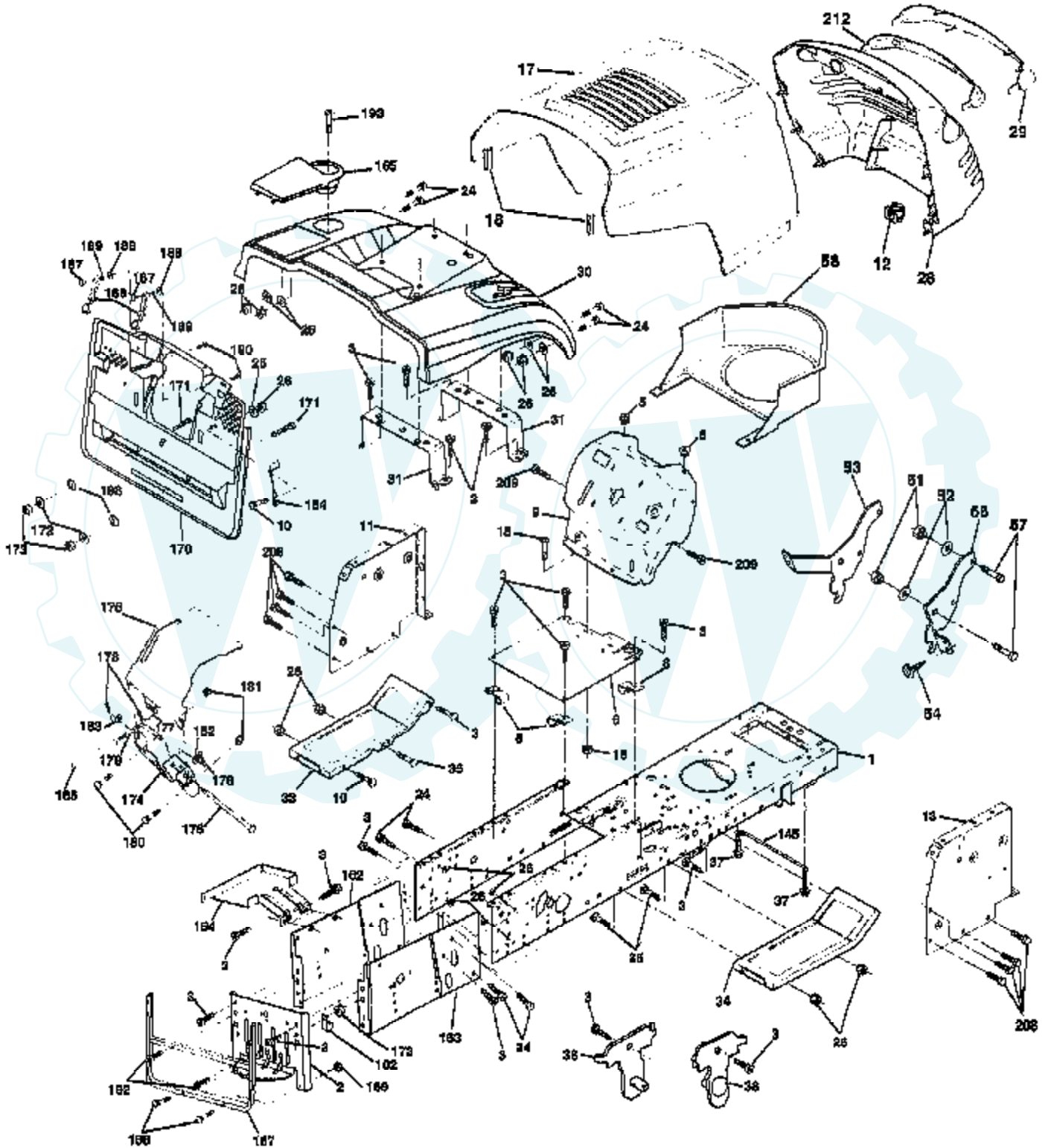
BAGGER



NOTE: All component dimensions given in U.S. Inches
1 inch = 25.4 mm

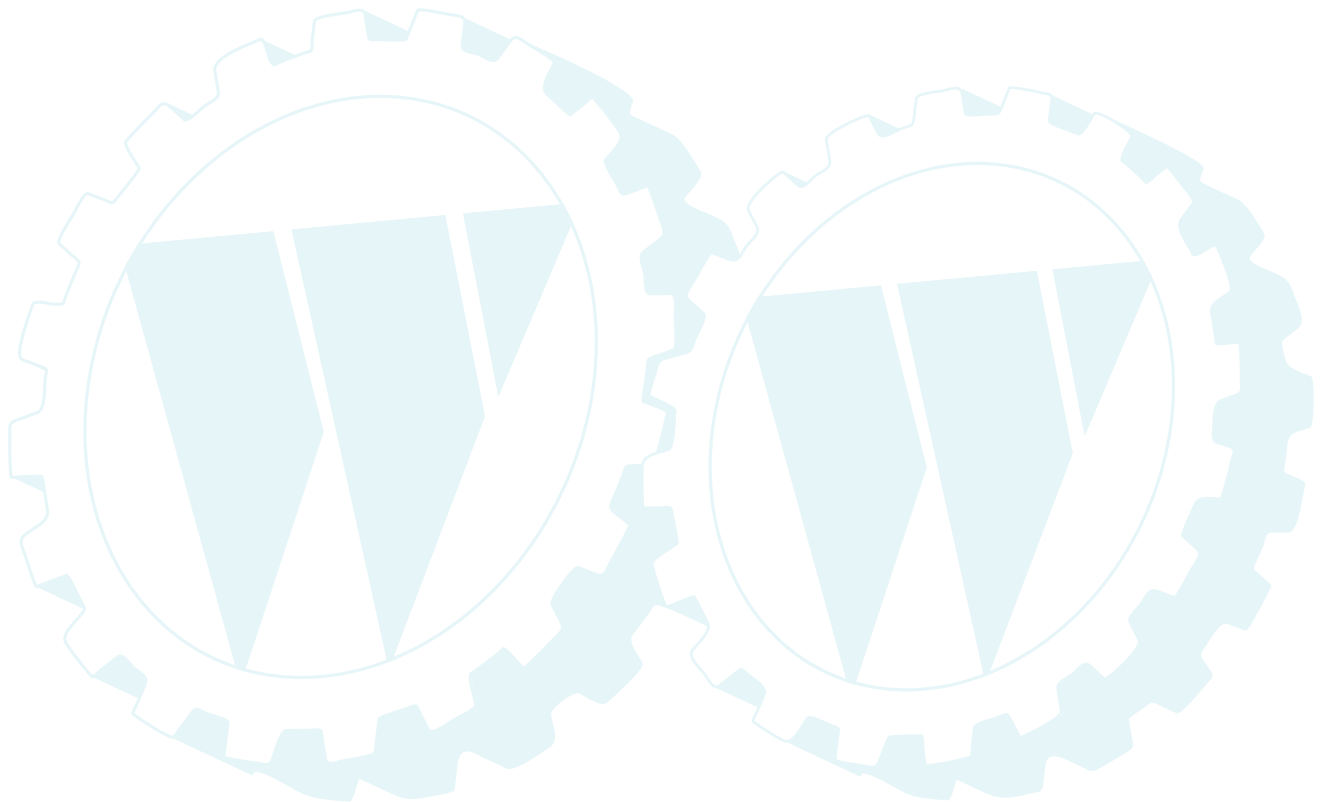
| Ref # | Part Number | Qty | Description |
|-------|-------------|-----|-------------------------------|
| 1 | 165249 | | TUBE.HDLE.BAG.CRD |
| 2 | 72140416 | | BOLT.CARRIAGE.1/4-20X2.0 |
| 3 | 123976X | | SUB= 73900400 |
| 4 | 169916 | | HANDLE BAGGER |
| 5 | 74981024 | | "SCREW,PAN.HEAD" |
| 6 | 74981032 | | SCREW |
| 7 | 73401000 | | NUT.WIZ.LOCK |
| 8 | 165715X598 | | COVER.BAGGER.CRD |
| 9 | 72140418 | | BOLT CARRIAGE |
| 10 | 169688 | | TUBE SUPPORT BAGGER CRD |
| 11 | 165719 | | BRKT.SUPT.UPPER.BAG.CRD |
| 12 | 169685 | | BRACKET HORIZ ADJ BGGR LH CRD |
| 13 | 72110606 | | BOLT |
| 14 | 74520640 | | BOLT.HEX.3/8-16X2-1/2 |
| 16 | 73900600 | | SUB= 83923 |
| 17 | 72140506 | | BOLT |
| 19 | 73900500 | | "NUT HEX,LOCK,FLAN" |
| 20 | 169684 | | BRACKET HORIZ ADJ BGGR RH CRD |
| 21 | 165780 | | BAG.ASM.CRD |
| 22 | 165781 | | BRKT.SIDE.BAG.CRD |
| 23 | 165782 | | TUBE.UPPER.BAG.CRD |
| 24 | 165783 | | TUBE.PIVOT.BAG.CRD |
| 25 | 165784 | | TUBE.FT.BAG.CRD |
| 26 | 165785 | | TUBE.LOWER.BAG.CRD. |
| 27 | 169692 | | BUSHING SNAP BAGGER CRD |
| 28 | 165787 | | GRIP.HANDLE.BLACK |
| 29 | 165839 | | PLATE.STOP.BAG.HDLE.CRD |
| 30 | 72140410 | | BOLT.CARRIAGE |
| 31 | 4497H | | RETAINER M |
| 32 | 126875X | | RIVET.DRILL.1.75 |
| 36 | 19132016 | | SUB= 19132012 |
| 38 | 72010520 | | BOLT.5/16-18X2.5 |
| 39 | 169999 | | SEAL |
| 40 | 170000 | | SEAL |
| 41 | 169683 | | BRACKET VERT ADJ BAGGER CRD |

TRACTOR- -MODEL NO. 12HP92 (DE1236RBB) CHASSIS AND ENCLOSURES



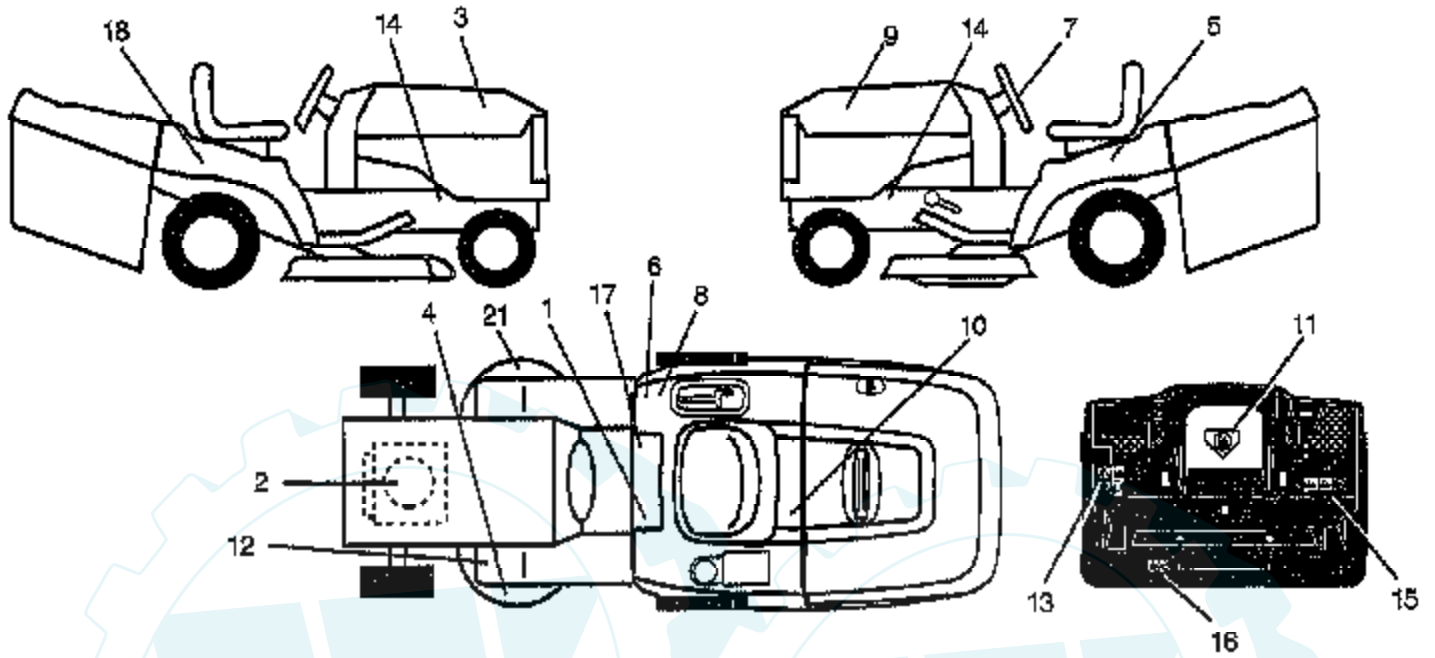
| Ref # | Part Number | Qty | Description |
|-------|-------------|-----|----------------------------|
| 1 | 169831 | | CHASSIS |
| 2 | 165606 | | DRAWBAR.CRD |
| 3 | 17060612 | | SCREW |
| 5 | 155272 | | BUMPER-HOOD/DASH |
| 6 | 155923 | | SADDLE |
| 8 | 126471X | | "CLIP,INSULATOR" |
| 9 | 168347X011 | | DASH |
| 10 | 72140608 | | SUB= 72110608 |
| 11 | 155927 | | "PANEL-DASH,LH" |
| 12 | 145660 | | CLIP.TINNERMAN |
| 13 | 172107X010 | | DASHBOARD |
| 15 | 74180512 | | SCREW |
| 16 | 73510500 | | NUT |
| 17 | 159639X598 | | HOOD.PNT.STL |
| 18 | 126938X | | SUB= 532126938 |
| 24 | 74780616 | | BOLT |
| 25 | 19131312 | | WASHER |
| 26 | 73800600 | | NUT |
| 28 | 146766 | | SUB= 145502 |
| 29 | 145503X599 | | LENS, GRILLE |
| 30 | 165714X598 | | FENDER.CRD.SAGE |
| 31 | 165156 | | BRKT.SUPT.FENDER.CRD |
| 33 | 145244X598 | | FOOTREST |
| 34 | 145243X598 | | FOOTREST.PNT.RH |
| 35 | 72110606 | | BOLT |
| 37 | 17490508 | | SCREW LT |
| 38 | 169834 | | BRKT ASM PIVOT MOWER REAR |
| 51 | 73800400 | | NUT |
| 52 | 19091416 | | WASHER |
| 53 | 144697 | | BRACKET.GRILLE.LH |
| 54 | 161464 | | SCREW.HEX.WS.HD |
| 55 | 144696 | | BRACKET.GRILLE.RH |
| 57 | 74780412 | | SUB= 74780414 |
| 58 | 150127 | | AIR DUCT |
| 102 | 2751R | | CLIP T |
| 145 | 156524 | | "ROD POVOT,CHASSIS" |
| 162 | 165672 | | BRKT.EXT.CHASSIS.LH.CRD |
| 163 | 165673 | | BRKT.EXT.CHASSIS.RH.CRD |
| 164 | 165605 | | SUPPORT.BATTERY.CRD |
| 165 | 165742X428 | | COVER.BATTERY.CRD.BLACK.LT |
| 167 | 165779 | | SUPT.ASM.BACKPLATE |
| 168 | 72050412 | | BOLT-RD HD SQ NK |
| 169 | 123976X | | SUB= 73900400 |
| 170 | 165607 | | COVER.BACKPLATE.BLACK |
| 171 | 74520640 | | BOLT.HEX.3/8-16X2-1/2 |
| 172 | 19132016 | | SUB= 19132012 |
| 173 | 73510600 | | NUT |
| 174 | 165939 | | BRKT.SWITCH.FBI.CRD |
| 175 | 166212 | | GRUARD.DOOR.REAR.CRD |
| 176 | 128600 | | HINGE PIN |
| 177 | 132796 | | SPRING.COVER.LH |
| 178 | 76020312 | | SUB= 3145 |
| 179 | 165942 | | ROD.PIVOT.FBI.CRD |
| 180 | 74760516 | | SUB= 77394 |
| 181 | 73680500 | | SUB= 73690500 |
| 182 | 138200 | | WASHER.385X.625 |
| 183 | 19131316 | | WASHER |
| 184 | 166139 | | BRKT.ACTUATOR.BAG.CRD |

| Ref # | Part Number | Qty | Description |
|-------|-------------|-----|-------------------------|
| 185 | 165940 | | TUBE.LEVER.SWCH.FBI.CRD |
| 186 | 160793 | | LATCH ASSY.BAGGER |
| 187 | 2029J | | WELDNUT |
| 188 | 19061216 | | WASHER #10 |
| 189 | 10071000 | | LOCKWASHER |
| 190 | 71161010 | | SCREW |
| 192 | 17490624 | | SCREW LT |
| 193 | 17070412 | | SCREW |
| 198 | 168937 | | NUT PUSH |
| 208 | 17670608 | | SCREW |
| 209 | 17000612 | | SCREW |
| 212 | 156229 | | INSERT LENS REFLECT |
| | 5479J | | PLUG BUTTON T |

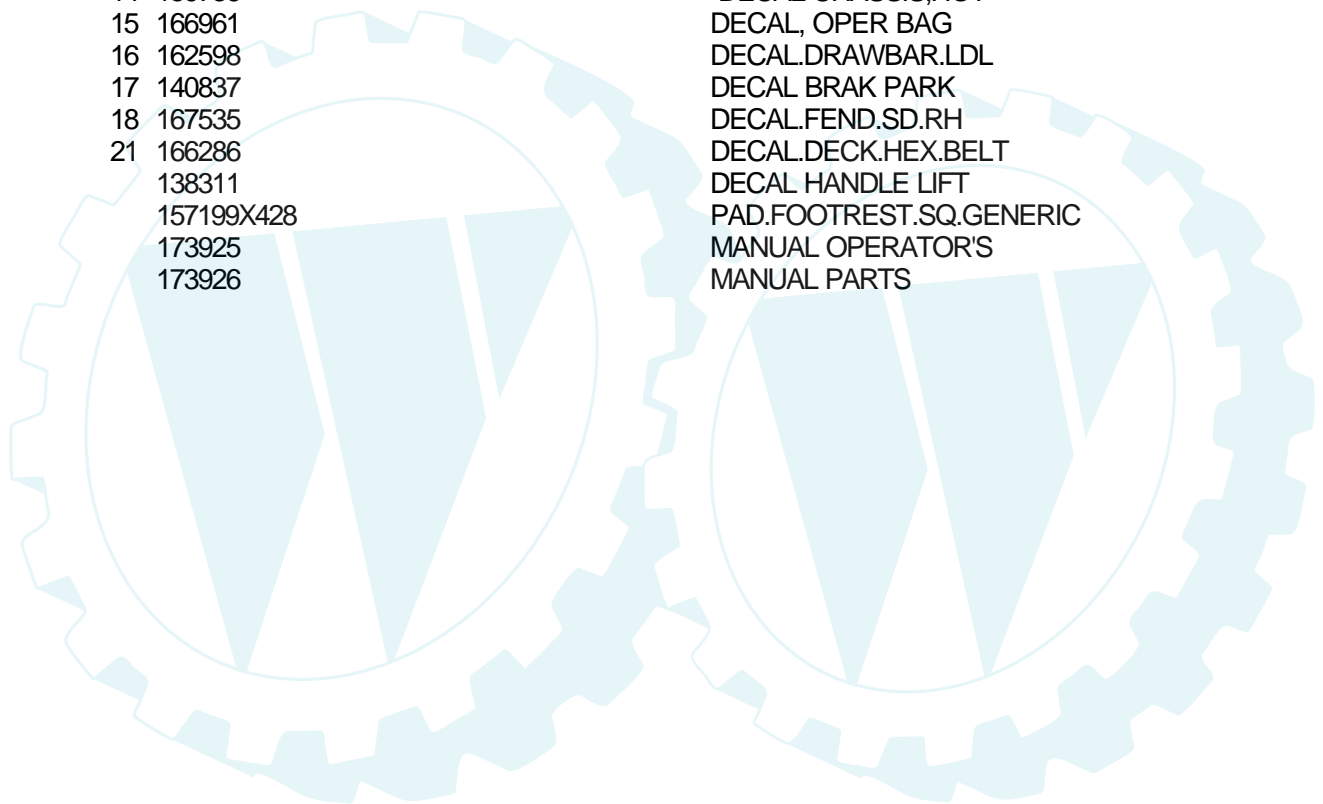


TRACTOR- -MODEL NO. 12HP92 (DE1236RBB)

DECALS

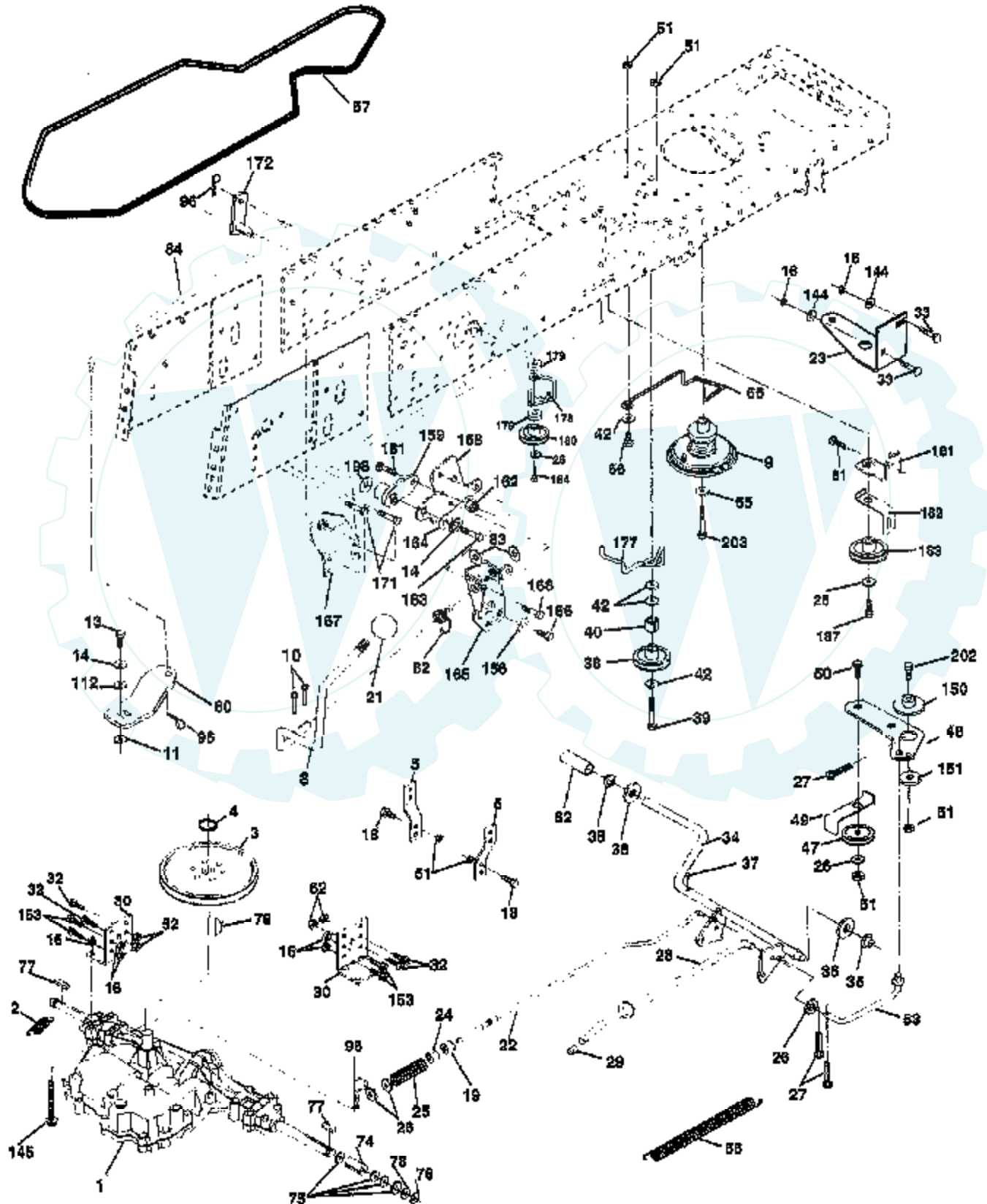


| Ref # | Part Number | Qty | Description |
|-------|-------------|-----|-----------------------------|
| 1 | 145498 | | DECAL.READ.O.MANU |
| 2 | 170829 | | DECAL |
| 3 | 167533 | | DECAL, HOOD |
| 4 | 167532 | | DECAL.DECK.MOWER |
| 5 | 167536 | | DECAL.FEND.SD.LH |
| 6 | 126187X | | SUB= 532126187 |
| 7 | 167531 | | DECAL.INST.STEERING |
| 8 | 145437 | | DECAL.EURO.ST.CE. |
| 9 | 167534 | | DECAL, HOOD |
| 10 | 145005 | | DECAL.BATRY.3-3908 |
| 11 | 145494 | | DECAL.DANGER.CUTF |
| 12 | 159737 | | DECAL-BRAKE/CLUTC |
| 13 | 166959 | | DECAL.WARNING.BACKPLATE.CRD |
| 14 | 159736 | | "DECAL CHASSIS,HOT" |
| 15 | 166961 | | DECAL, OPER BAG |
| 16 | 162598 | | DECAL.DRAWBAR.LDL |
| 17 | 140837 | | DECAL BRAK PARK |
| 18 | 167535 | | DECAL.FEND.SD.RH |
| 21 | 166286 | | DECAL.DECK.HEX.BELT |
| | 138311 | | DECAL HANDLE LIFT |
| | 157199X428 | | PAD.FOOTREST.SQ.GENERIC |
| | 173925 | | MANUAL OPERATOR'S |
| | 173926 | | MANUAL PARTS |



TRACTOR- -MODEL NO. 12HP92 (DE1236RBB)

DRIVE



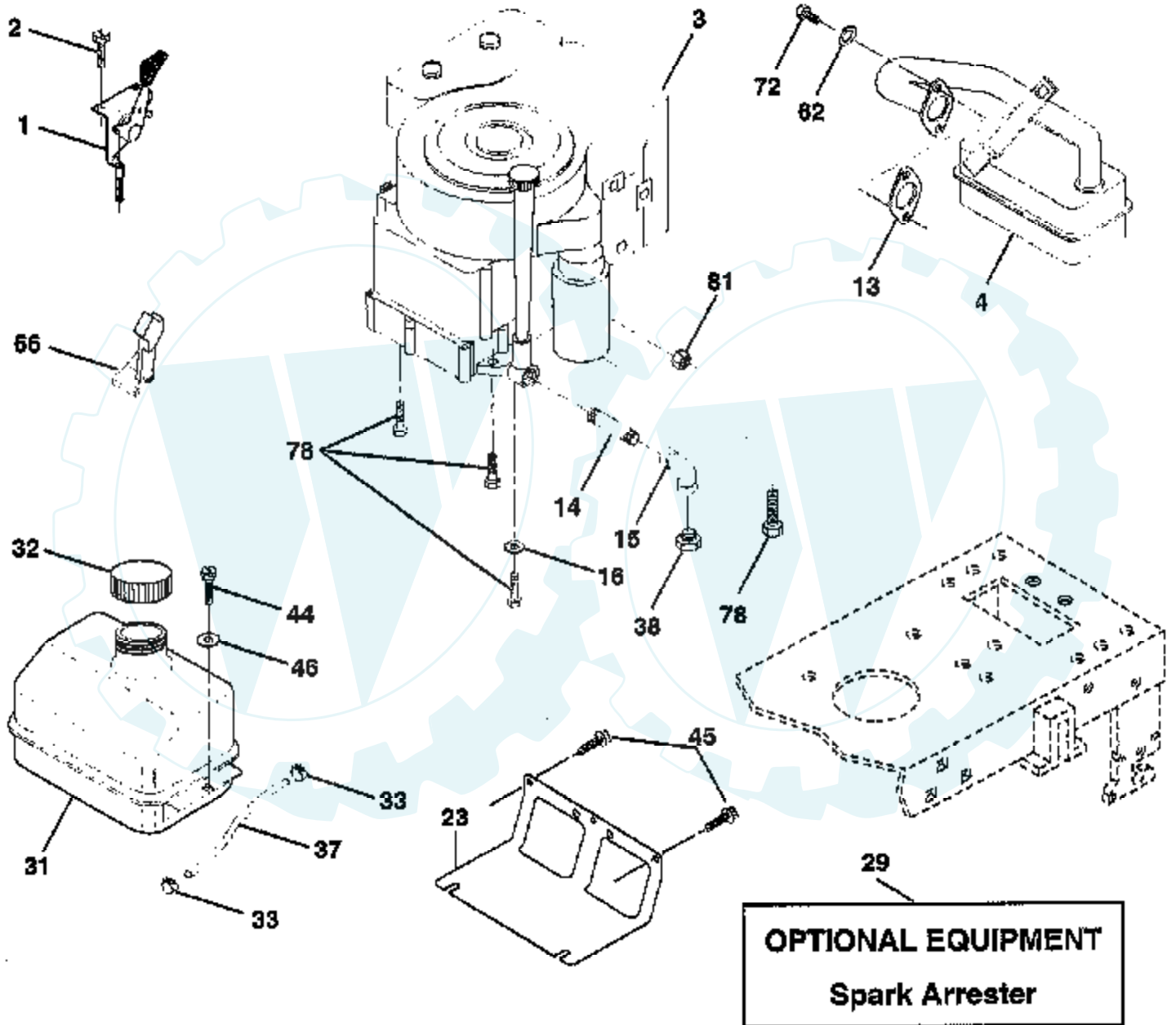
| Ref # | Part Number | Qty | Description |
|-------|-------------|-----|-----------------------------|
| 1 | SUPPLIER | | CHECK WITH SUPPLIER |
| 2 | 146682 | | SPRING.BRAKE.RETU |
| 3 | 165999 | | "PULLEY.TRANSAXLE.7"" |
| 4 | 12000028 | | SUB= 2267J |
| 5 | 121520X | | STRAP TORQUE |
| 8 | 165619 | | ROD.SHIFT.FENDER.ADJ.LT.CRD |
| 9 | 170163 | | CLUTCH ASM NORAM |
| 10 | 76020416 | | PIN COTTER 1/8 |
| 11 | 105701X | | WASH-SHFT PLT LT |
| 13 | 74550412 | | BOLT.1/4-28.W/PAT |
| 14 | 10040400 | | LOCKWASHER |
| 16 | 73800500 | | NUT |
| 18 | 74780616 | | BOLT |
| 19 | 73800600 | | NUT |
| 21 | 106933X | | KNOB T (1/2-HOLE) |
| 22 | 165811 | | ROD.BRAKE.PMST.CRD |
| 23 | 170017 | | BRACKET CLUTCH |
| 24 | 73350600 | | NUT |
| 25 | 106888X | | SPRING ROD LT |
| 26 | 19131316 | | WASHER |
| 27 | 76020412 | | COTTER PIN |
| 28 | 145204 | | ROD.BRAKE.PARK.LT |
| 29 | 71673 | | PLUNGER CAP T |
| 30 | 130807 | | TRANSAXLE MTG BKT |
| 32 | 74760512 | | BOLT |
| 33 | 72140506 | | BOLT |
| 34 | 165496 | | SHAFT.ASM.PEDAL.FOOT.CRD |
| 35 | 120183X | | NYLON BEARING |
| 36 | 19211616 | | WASHER LT |
| 37 | 1572H | | SUB= 2882J |
| 38 | 165936 | | PULLEY.FLAT |
| 39 | 74760644 | | BOLT |
| 40 | 4470J | | SPACER T |
| 42 | 19131312 | | WASHER |
| 47 | 127783 | | SUB= 139245 |
| 48 | 154407 | | BELLCRANK.CLUTCH |
| 49 | 123205X | | RETAIN BELT |
| 50 | 74760624 | | SUB= 74930624 |
| 51 | 73680600 | | SUB= 73690600 |
| 52 | 73680500 | | SUB= 73690500 |
| 53 | 105710X | | "LINK, CLUTCH T" |
| 55 | 105709X | | "SPRING, RETURN LT" |
| 56 | 74760620 | | SUB= 74780620 |
| 57 | 165631 | | "V-BELT.KEV.111"" |
| 61 | 17060612 | | SCREW |
| 62 | 8883R | | PEDAL COVER T |
| 65 | 10040700 | | LOCKWASHER |
| 66 | 154778 | | KEEPER-BELT |
| 74 | 137057 | | SPACER AXLE |
| 75 | 121749X | | WASHER |
| 76 | 12000001 | | E-RING LT |
| 77 | 123583X | | SQUARE KEY |
| 78 | 121748X | | WASHER |
| 79 | 2228M | | SUB= 2228M1 |
| 80 | 145090 | | "ARM.SHIFT.20""TIRE" |
| 82 | 123782X | | "SPRING,TORSION" |
| 83 | 19171216 | | WASHER |
| 84 | 165621 | | LINK.SHIFT.CRD |

| Ref # | Part Number | Qty | Description |
|-------|-------------|-----|----------------------------|
| 96 | 4497H | | RETAINER M |
| 112 | 19091210 | | WASHER LT |
| 144 | 19111016 | | WASHER |
| 145 | 74490540 | | BOLT.HEX.FLGHD |
| 150 | 165850 | | BUSHING.BELLCRANK.GRD.DR |
| 151 | 19133210 | | WASHER |
| 153 | 74760516 | | SUB= 77394 |
| 156 | 166002 | | WASHER.SRRTD.5/16 |
| 158 | 165589 | | BRKT.SHIFT.MOUNT |
| 159 | 165494 | | HUB.SHIFT |
| 161 | 72140406 | | BOLT T |
| 162 | 73680400 | | SUB= 73690400 |
| 163 | 74780416 | | NLA |
| 164 | 19091010 | | WASHER.5/8X.281X10GA |
| 165 | 165623 | | BRKT.PIVOT.LEVER |
| 166 | 166880 | | SCREW.5/16-18X5/8 |
| 167 | 165588 | | BRKT.SUPT.SHIFT.CRD |
| 168 | 165492 | | BOLT.SHOULDER.5/16-18X.561 |
| 171 | 17490608 | | SCREW LT |
| 172 | 165635 | | SHAFT.ASM.SHIFT.FRT.CRD |
| 177 | 165932 | | KEEPER.FLAT.IDLER |
| 178 | 165933 | | KEEPER.BELT.IDLER |
| 179 | 120958X | | WASHER |
| 180 | 165630 | | PULLEY.FLAT.IDLER |
| 181 | 165797 | | BRKT.IDLER.GRD.DR.CRD |
| 182 | 165634 | | "KEEPER.BELT.2.5" .OD.CRD" |
| 183 | 165626 | | PULLEY.V-IDLER |
| 184 | 17490644 | | SCREW.HXWSH.3/8 |
| 187 | 17490620 | | SCREW |
| 198 | 169593 | | WASHER NYLINER |
| 202 | 72110612 | | BOLT.3/8-16X1.50 |
| 203 | 71170780 | | BOLT HEX |

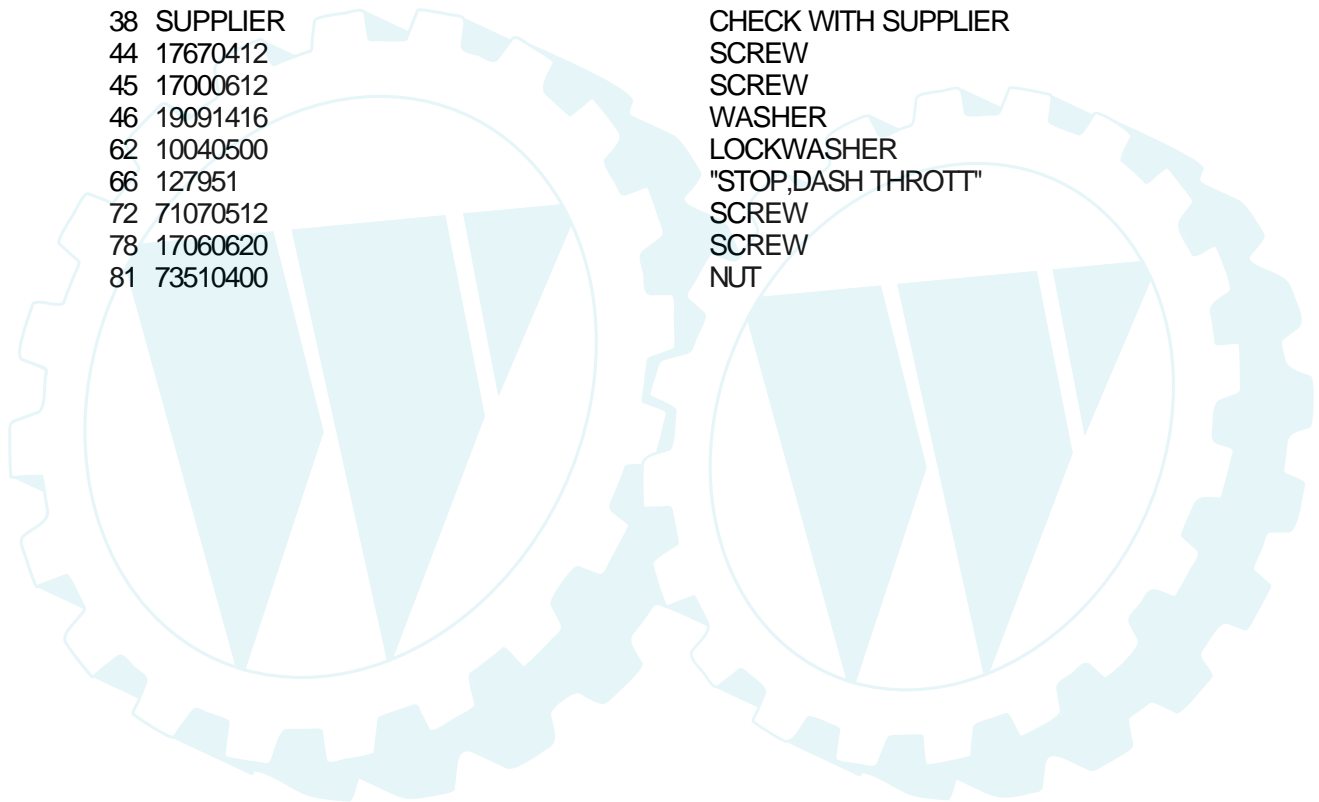
| Ref # | Part Number | Qty | Description |
|-------|-------------|-----|---------------------------|
| 1 | 144925 | | SUB= 123899X |
| 2 | 74760412 | | BOLT LT |
| 16 | 153664 | | SWITCH INTERLOCK |
| 21 | 166181 | | HARNESS.ASM.LIGHT W/4152J |
| 22 | 4152J | | HEADLAMP BULB |
| 24 | 4799J | | "CABLE T, BATTERY" |
| 25 | 165987 | | CABLE.BATTERY.CRD |
| 26 | 166180 | | FUSE.15 AMP |
| 27 | 73510400 | | NUT |
| 28 | 127725X | | "CABLE.GRD.6GA/18""BLACK" |
| 29 | 160784 | | SWITCH.PLUNGER |
| 30 | 163968 | | SWITCH.IGN. |
| 33 | 140401 | | KEY MLD GEN DELTA |
| 40 | 170164 | | HARNESS IGN CORD |
| 41 | 71110408 | | BOLT HXHD FIN |
| 42 | 131563 | | SUB= 154336 |
| 43 | 145673 | | SUB= 146154 |
| 48 | 140844 | | ADAPTER AMMETER |
| 52 | 141940 | | PROTECTION LOOP |
| 58 | 169419 | | BUZZER CRD |
| 59 | 166299 | | SWITCH.FBI.CRD |
| 65 | 17211008 | | SCREW |
| 66 | 17490608 | | SCREW LT |
| 81 | 109748X | | RELAY ASSY T |

TRACTOR- -MODEL NO. 12HP92 (DE1236RBB)

ENGINE

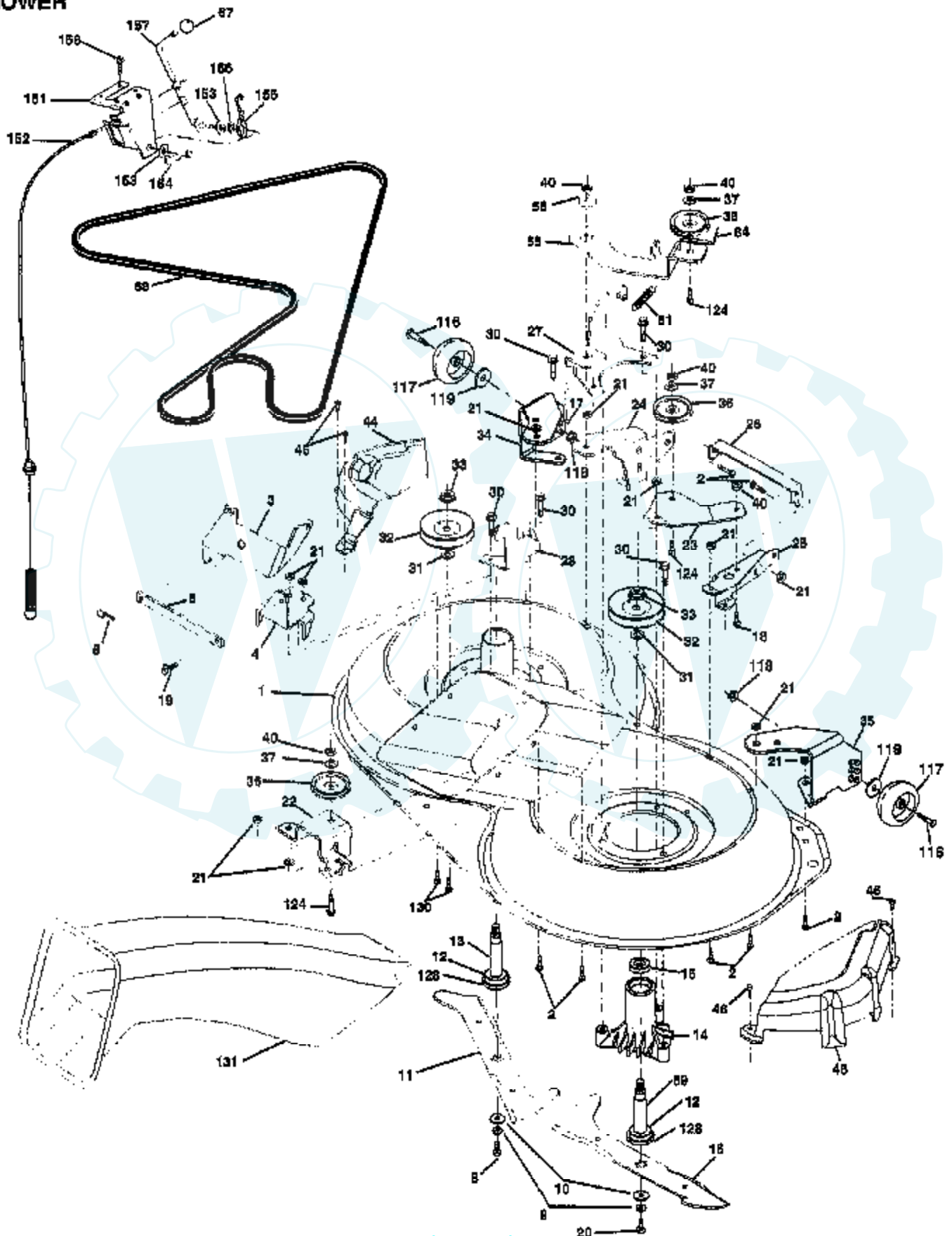


| Ref # | Part Number | Qty | Description |
|-------|-------------|-----|---------------------|
| 1 | 141359 | | CONTROL.THTL.23.5 |
| 2 | 17720410 | | SCREW LT |
| 3 | SUPPLIER | | CHECK WITH SUPPLIER |
| 4 | 137348 | | MUFFLER |
| 13 | 165291 | | SUB= 272293 |
| 14 | 13280324 | | PIPE NIPPLE |
| 15 | 13200300 | | ELBOW |
| 16 | 11050600 | | LOCKWASHER |
| 23 | 169837 | | SHIELD BROWNING |
| 29 | 137180 | | SUB= 532137180 |
| 31 | 109202X | | TANK.FUEL.LT. |
| 32 | 140527 | | CAP ASM FUEL |
| 33 | 123487X | | HOSE CLAMP |
| 37 | 137040 | | LINE FUEL |
| 38 | SUPPLIER | | CHECK WITH SUPPLIER |
| 44 | 17670412 | | SCREW |
| 45 | 17000612 | | SCREW |
| 46 | 19091416 | | WASHER |
| 62 | 10040500 | | LOCKWASHER |
| 66 | 127951 | | "STOP,DASH THROTT" |
| 72 | 71070512 | | SCREW |
| 78 | 17060620 | | SCREW |
| 81 | 73510400 | | NUT |



TRACTOR- -MODEL NO. 12HP92 (DE1236RBB)

MOWER



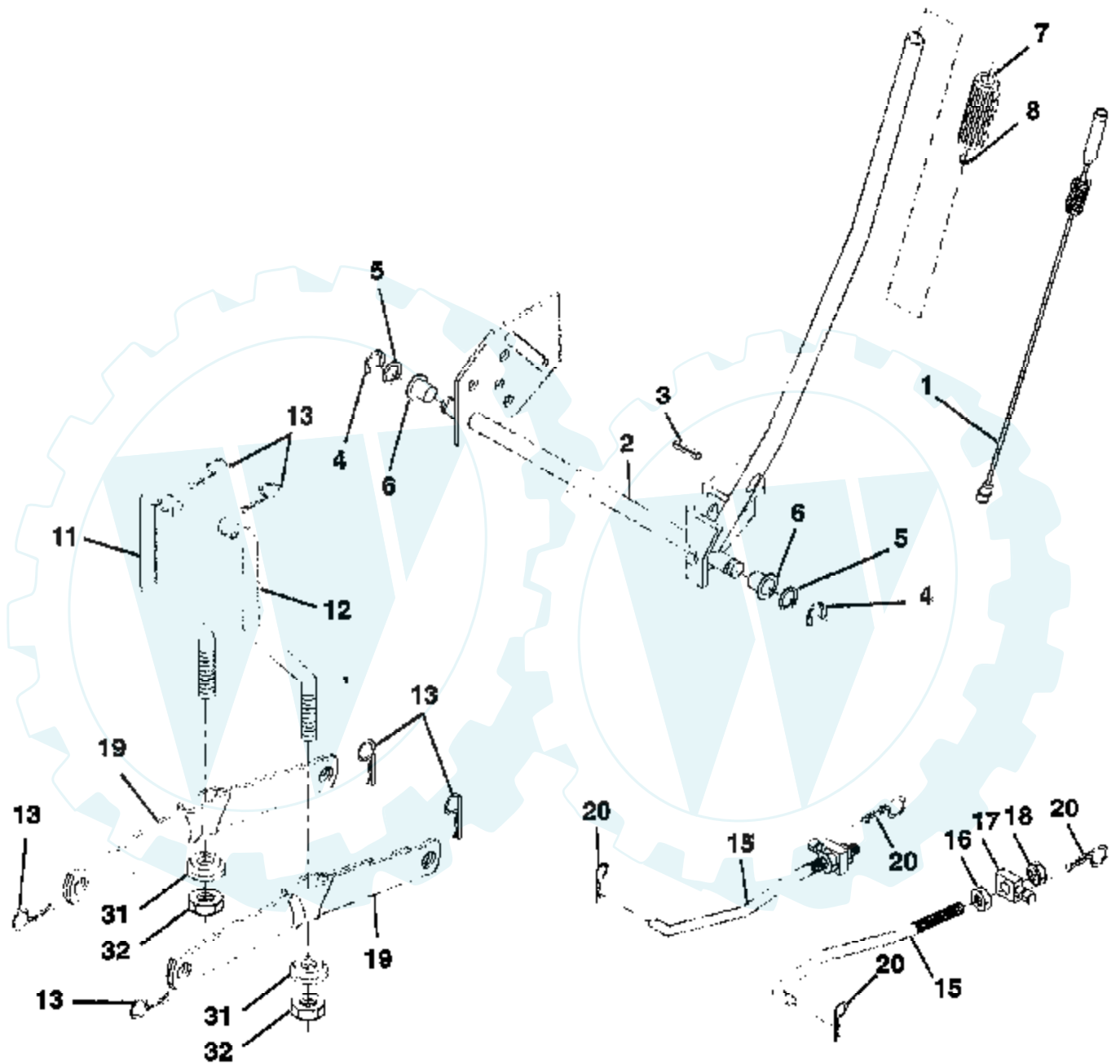
| Ref # | Part Number | Qty | Description |
|-------|-------------|-----|-----------------------------|
| 1 | 165552 | | HOUSING.ASM.MOWER |
| 2 | 72140506 | | BOLT |
| 3 | 165569 | | BRKT.ASM.S-BAR.CHASSIS |
| 4 | 165558 | | BRKT.BAR.SWAY.DECK |
| 5 | 4939M | | SUB= 85902 |
| 6 | 165557 | | BAR.SWAY.92.CRD |
| 8 | 850857 | | BLADE BOLT |
| 9 | 10030600 | | SUB= 10040600 |
| 10 | 140296 | | WASHER.HARD.BLADE |
| 11 | 170037 | | BLADE |
| 12 | 129895 | | BEARING.BALL |
| 13 | 137645 | | SUB= 137646 |
| 14 | 128774 | | HSG ASM MANDREL |
| 15 | 110485X | | BEARING |
| 16 | 170038 | | BLADE |
| 17 | 72140610 | | BOLT.3/8-14X1.25 |
| 18 | 72110608 | | BOLT D |
| 19 | 132827 | | BOLT SHD 5/16-18 |
| 20 | 165484 | | BOLT.3/8-24X1.25 |
| 21 | 73680500 | | SUB= 73690500 |
| 22 | 165243 | | BRKT.IDLER.SPRT.CRD |
| 23 | 165446 | | "BRKT.IDLER.SPRT.RF.92.CRD" |
| 24 | 165242 | | BRKT.SUSP.LF.92.CRD |
| 25 | 165244 | | BRKT.SUSP.RF.92.CRD |
| 26 | 165237 | | BRACE.SUPT.SUSP.FRT.CRD |
| 27 | 165568 | | BRKT.ASM.SUSP.RR.92.CRD |
| 28 | 165567 | | BRKT.ASM.SUSP.LR.92.CRD |
| 30 | 157722 | | "SCREW-THD ROLL,WA" |
| 31 | 129963 | | WASHER |
| 32 | 153531 | | PULLEY.MAND.36/46 |
| 33 | 137266 | | SUB= 139729 |
| 34 | 165239 | | BRKT.GUAGE.WHL.LF.92.CRD |
| 35 | 165238 | | BRKT.GUAGE.WHL.RF.92.CRD |
| 36 | 146763 | | PULLEY.IDLER.4.25 |
| 37 | 19131316 | | WASHER |
| 40 | 73680600 | | SUB= 73690600 |
| 44 | 165724 | | COVER.MANDREL.LH.92.CRD |
| 45 | 165556 | | COVER.MANDREL.RH.92.CRD |
| 46 | 137729 | | SCREW.1/4-20X5/8 |
| 55 | 165445 | | ARM.IDLER.92.CRD |
| 56 | 165723 | | SPACER.RETAINER.MOWER |
| 61 | 165945 | | SPRING.TENSION.BELT |
| 67 | 106932X | | KNOB T(3/8 HOLE) |
| 68 | 165555 | | HEX-BELT.92.MWR.105AA |
| 69 | 165482 | | SHAFT.ASM.W/LWR.BRG.RH.TH |
| 84 | 156085 | | "KEEPER-BELT,IDLER" |
| 116 | 137644 | | BOLT.SHOULDER |
| 117 | 133957 | | WHEEL GAGE DONUT |
| 118 | 73930600 | | LOCKNUT |
| 119 | 19121414 | | WASHER |
| 124 | 72110612 | | BOLT.3/8-16X1.50 |
| 128 | 153390 | | WASHER.FELT. |
| 130 | 72110506 | | SUB= 72270506 |
| 131 | 165661 | | CHUTE.BAGGER.CRD |
| 151 | 169670 | | BRKT CLUTCH CABLE |
| 152 | 170300 | | CABLE CLUTCH CRD SERVICE |
| 153 | 169674 | | WASHER FLAT |
| 154 | 169675 | | SPRING RETAINER |

| Ref # | Part Number | Qty | Description |
|-------|-------------|-----|---------------------------------|
| 155 | 169671 | | SPRING RETENTION LVR CLUTCH CAB |
| 156 | 169672 | | SPACER |
| 157 | 169669 | | ROD.CLUTCH.CABLE.3/8 |
| 158 | 17720410 | | SCREW LT |
| | 130794 | | MANDREL ASM |
| | 165579 | | MANDREL.ASM.CRD.LH.THREADS |
| | 173549 | | COMPLETE DECK MOWER |



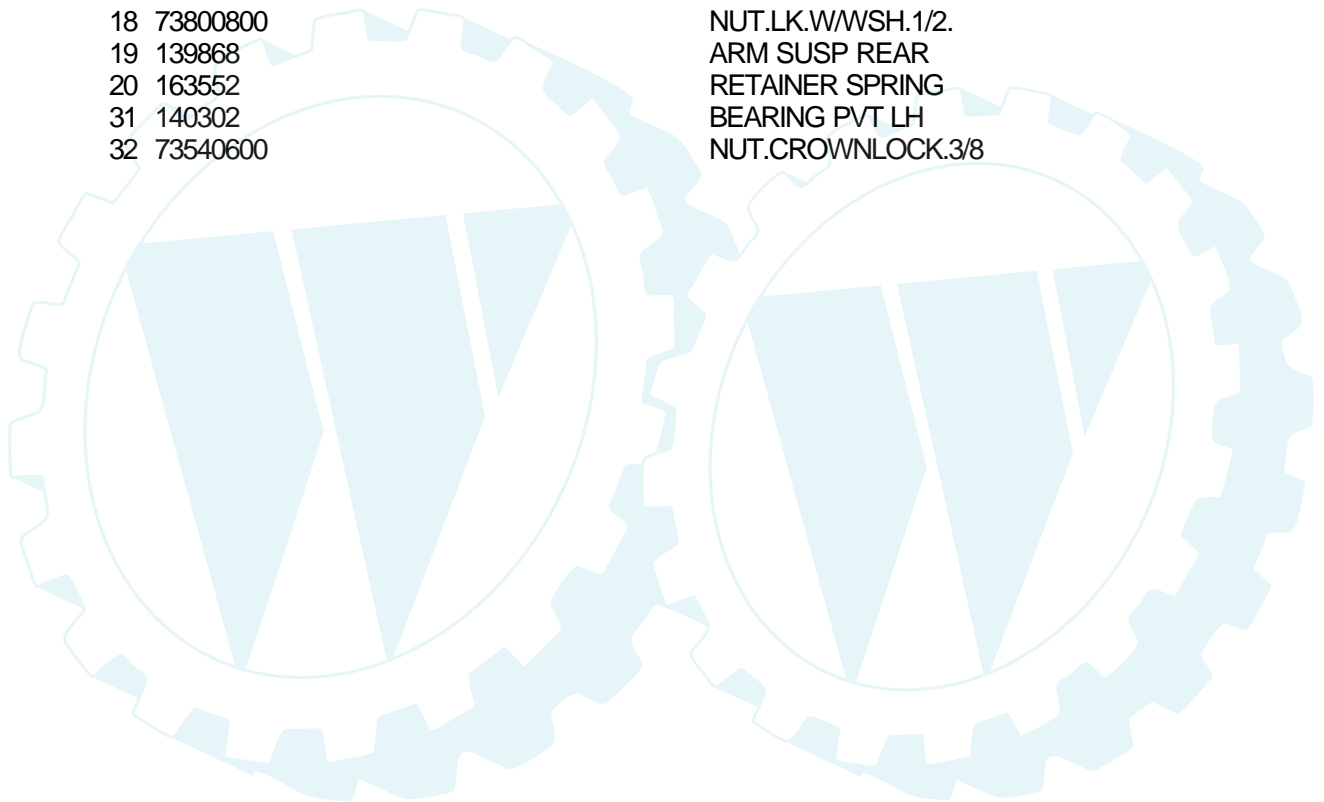
TRACTOR- -MODEL NO. 12HP92 (DE1236RBB)

MOWER LIFT



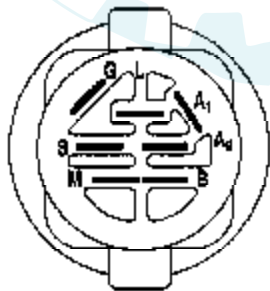
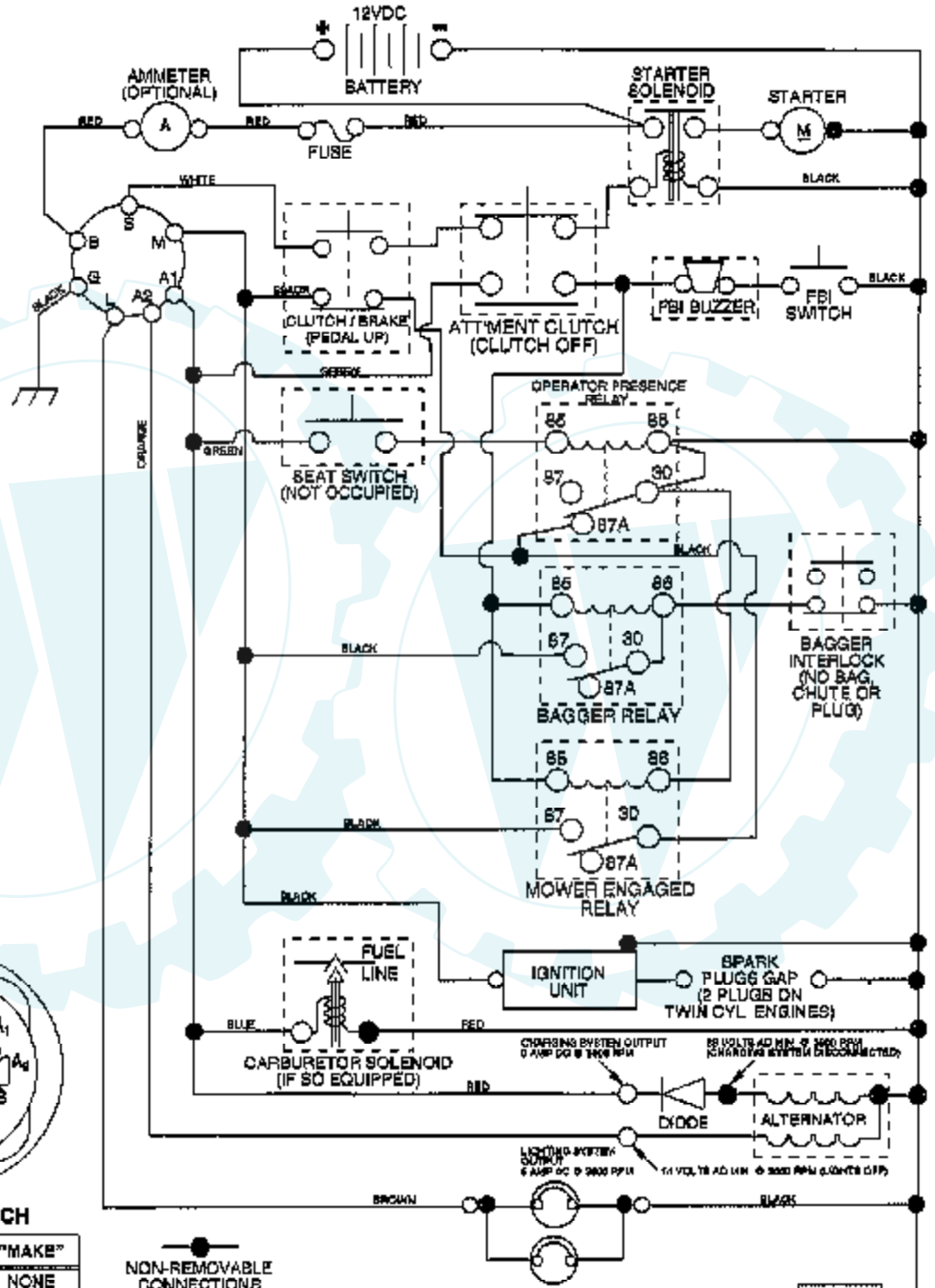
NOTE: All component dimensions given in U.S. inches
1 inch = 25.4 mm

| Ref # | Part Number | Qty | Description |
|-------|-------------|-----|---------------------|
| 1 | 159460 | | WIRE ASM W.SPRING |
| 2 | 159471 | | "SHAFT ASM LIFT,RH" |
| 3 | 105767X | | PIN-GROOVE LT |
| 4 | 12000002 | | SUB= 2225J |
| 5 | 19211621 | | WASHER |
| 6 | 120183X | | NYLON BEARING |
| 7 | 109413X | | GRIP |
| 8 | 124526X | | SUB= 125925X |
| 11 | 165829 | | LINK.LIFT.LH.CRD |
| 12 | 165831 | | LINK.LIFT.RH.CRD |
| 13 | 4939M | | SUB= 85902 |
| 15 | 173288 | | LINK, FRONT |
| 16 | 73350800 | | NUT |
| 17 | 130171 | | TRUNION |
| 18 | 73800800 | | NUT.LK.W/WSH.1/2. |
| 19 | 139868 | | ARM SUSP REAR |
| 20 | 163552 | | RETAINER SPRING |
| 31 | 140302 | | BEARING PVT LH |
| 32 | 73540600 | | NUT.CROWNLOCK.3/8 |



TRACTOR- -MODEL NO. 12HP92 (DE1236RBB)

SCHEMATIC



IGNITION SWITCH

| POSITION | CIRCUIT | "MAKE" |
|-----------|---------|--------|
| OFF | M+G+A1 | NONE |
| RUN/LIGHT | B+A1 | A2+L |
| RUN | B+A1 | NONE |
| START | B+S+A1 | NONE |

WIRING INSULATED CLIPS
NOTE: IF WIRING INSULATED CLIPS WERE REMOVED FOR SERVICING OF UNIT, THEY SHOULD BE REPLACED TO PROPERLY SECURE YOUR WIRING

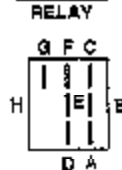
NON-REMOVABLE CONNECTIONS

REMOVABLE CONNECTIONS

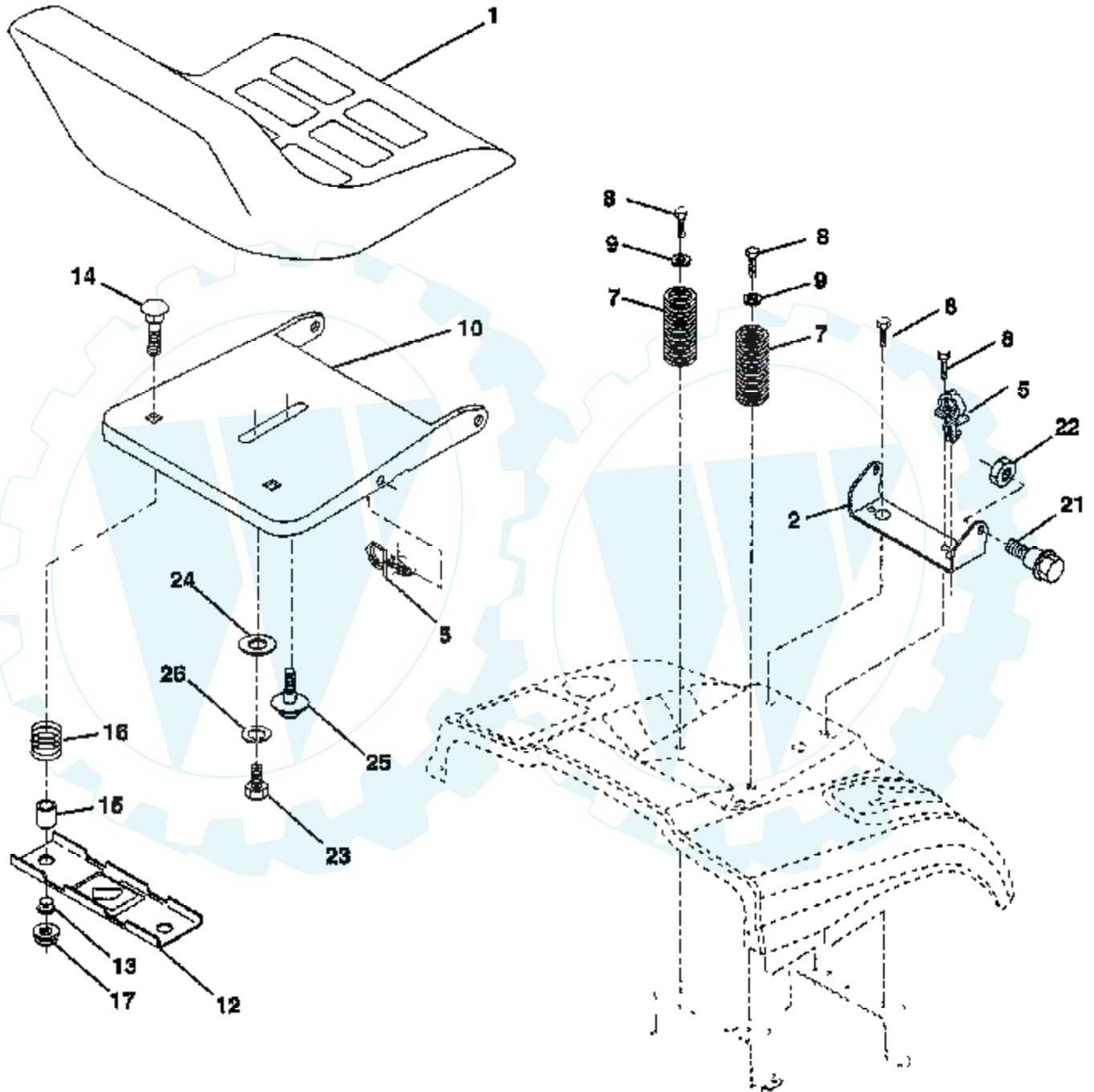
PTO SWITCH

| POSITION | CIRCUIT |
|----------|-------------|
| OFF | C+G B+H |
| ON | C+F B+E A+D |

NOTE
YOUR TRACTOR IS EQUIPPED WITH A SPECIAL ALTERNATOR SYSTEM. THE LIGHTS ARE NOT CONNECTED TO THE BATTERY, BUT HAVE THEIR OWN ELECTRICAL SOURCE. BECAUSE OF THIS, THE BRIGHTNESS OF THE LIGHTS WILL CHANGE WITH ENGINE SPEED. AT IDLE THE LIGHTS WILL DIM AS THE ENGINE IS SPEEDED UP, THE LIGHTS WILL BECOME THEIR BRIGHTEST.

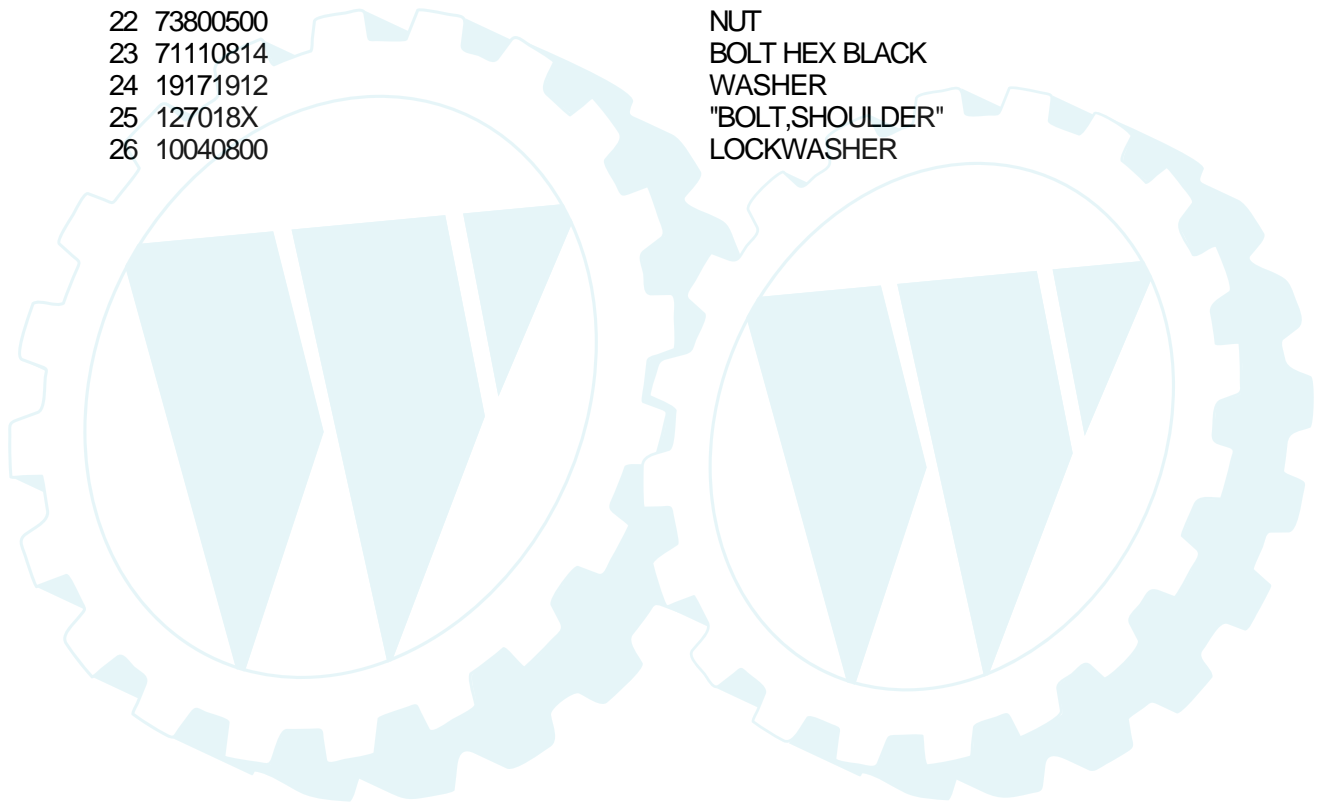


TRACTOR- -MODEL NO. 12HP92 (DE1236RBB) SEAT ASSEMBLY

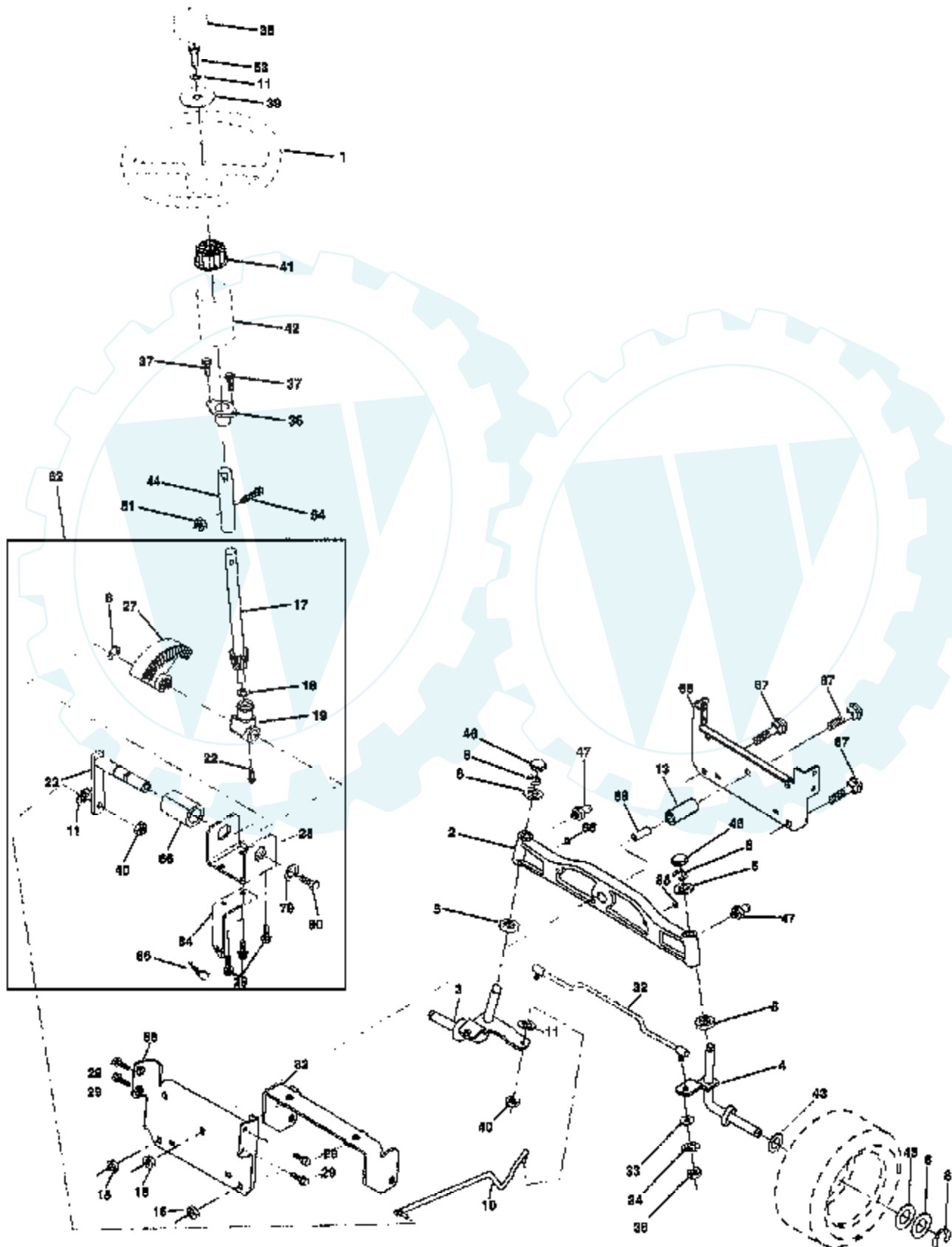


NOTE: All component dimensions given in U.S. inches.
1 inch = 25.4 mm

| Ref # | Part Number | Qty | Description |
|-------|-------------|-----|-------------------|
| 1 | 127428 | | SUB= 140119 |
| 2 | 140551 | | BRACKET PVT SEAT |
| 5 | 145006 | | CLIP.PUSH-IN.HING |
| 7 | 124181X | | SPRING COMPRESSIO |
| 8 | 17000616 | | SCREW |
| 9 | 19131614 | | WASHER |
| 10 | 155925 | | PAN-SEAT |
| 12 | 121246X | | BRKT SWITCH |
| 13 | 121248X | | BUSHING |
| 14 | 72050412 | | BOLT-RD HD SQ NK |
| 15 | 134300 | | SPLIT SPACER |
| 16 | 121250X | | SPRING |
| 17 | 123976X | | SUB= 73900400 |
| 21 | 171852 | | BOLT |
| 22 | 73800500 | | NUT |
| 23 | 71110814 | | BOLT HEX BLACK |
| 24 | 19171912 | | WASHER |
| 25 | 127018X | | "BOLT,SHOULDER" |
| 26 | 10040800 | | LOCKWASHER |



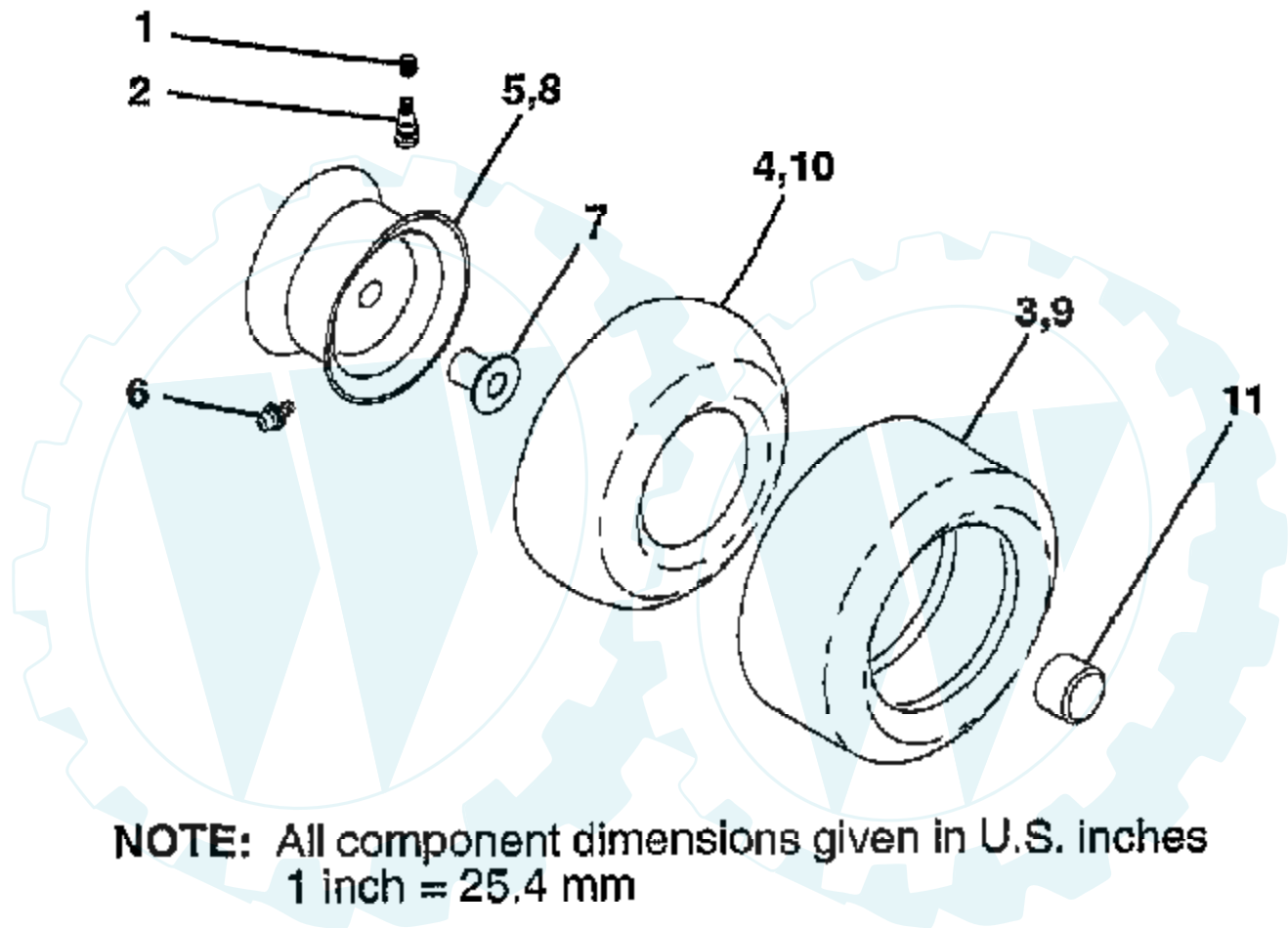
TRACTOR- -MODEL NO. 12HP92 (DE1236RBB) STEERING ASSEMBLY



| Ref # | Part Number | Qty | Description |
|-------|-------------|-----|------------------------------|
| 1 | 139768 | | SUB= 150547 |
| 2 | 172393 | | AXLE ASM CAST IRON LT |
| 3 | 169840 | | SPINDLE ASM |
| 4 | 169839 | | SPINDLE ASM |
| 5 | 6266H | | WASHER .T |
| 6 | 121748X | | WASHER |
| 8 | 12000029 | | RING |
| 10 | 169832 | | LINK DRAG |
| 11 | 10040600 | | LOCKWASHER |
| 13 | 136518 | | SPACER BEARING |
| 15 | 145212 | | NUT.HXFLG.LOCK. |
| 17 | 156546 | | SHAFT ASM STEERIN |
| 18 | 57079 | | THRUST WASHER |
| 19 | 160395 | | SUPPORT.SHAFT.STEER |
| 22 | 165857 | | SCREW.HX.WSH.HD |
| 23 | 165851 | | SHAFT.ASM.PITMAN |
| 25 | 154406 | | BRKT-STEERING |
| 27 | 136874 | | GEAR SECTOR |
| 29 | 17060612 | | SCREW |
| 32 | 170162 | | TIE ROD |
| 33 | 19111216 | | WASHER M |
| 34 | 10040500 | | LOCKWASHER |
| 35 | 73810500 | | NUT.LOCK.5/16-24 |
| 36 | 155099 | | BUSHING.STEERING |
| 37 | 152927 | | "SCREW-TT,10-32 FL" |
| 38 | 140175 | | CAP WHEEL STEER |
| 39 | 19133812 | | WASHER |
| 40 | 7810H | | GRIPCO NUT |
| 41 | 100711L | | ADAPTER LT |
| 42 | 145054X428 | | BOOT.STEERING.DASH.P/L |
| 43 | 121749X | | WASHER |
| 44 | 153720 | | EXT SHAFT STEERIN |
| 46 | 121232X | | CAP |
| 47 | 6855M | | ZERK M |
| 51 | 73800500 | | NUT |
| 54 | 74780520 | | BOLT |
| 62 | 167902 | | KIT.STEER.ASM |
| 63 | 74780616 | | BOLT |
| 65 | 160367 | | "SPACER BRCAE,AXLE" |
| 66 | 154404 | | "BEARING-ARM,PITMA" |
| 67 | 72140618 | | BOLT RDHD 3/8-16 |
| 68 | 169827 | | BRACE AXLE |
| 79 | 19132012 | | WASHER |
| 80 | 74950612 | | BOLT.HX.NYLON3/8-16X3/ |
| 82 | 169635 | | METER HOUR |
| 84 | 170016 | | BRACKET CABLE CLUTCH CHASSIS |
| 85 | 133835 | | XMAS TREE FASTNER |
| 86 | 165898 | | RETAINER SPRING |

TRACTOR- -MODEL NO. 12HP92 (DE1236RBB)

WHEELS & TIRES



| Ref # | Part Number | Qty | Description |
|-------|-------------|-----|--------------------------|
| 1 | 59192 | | VALVE CAP |
| 2 | 65139 | | VALVE STEM LT |
| 3 | 106222X | | SUB= 122073X |
| 4 | 59904 | | TUBE.5.3/4.5/6 |
| 5 | 106732X417 | | "RIM,FRT T" |
| 6 | 278H | | FITTING LT |
| 7 | 9040H | | "FLANGE, BEARING" |
| 8 | 106108X417 | | "RIM 8"" |
| 9 | 124635X | | SUB= 126957X |
| 10 | 7152J | | TUBE.18X9.5-8 |
| 11 | 104757X | | HUB CAP |
| | 144334 | | SEALANT.TIRE 10 OZ. TUBE |

