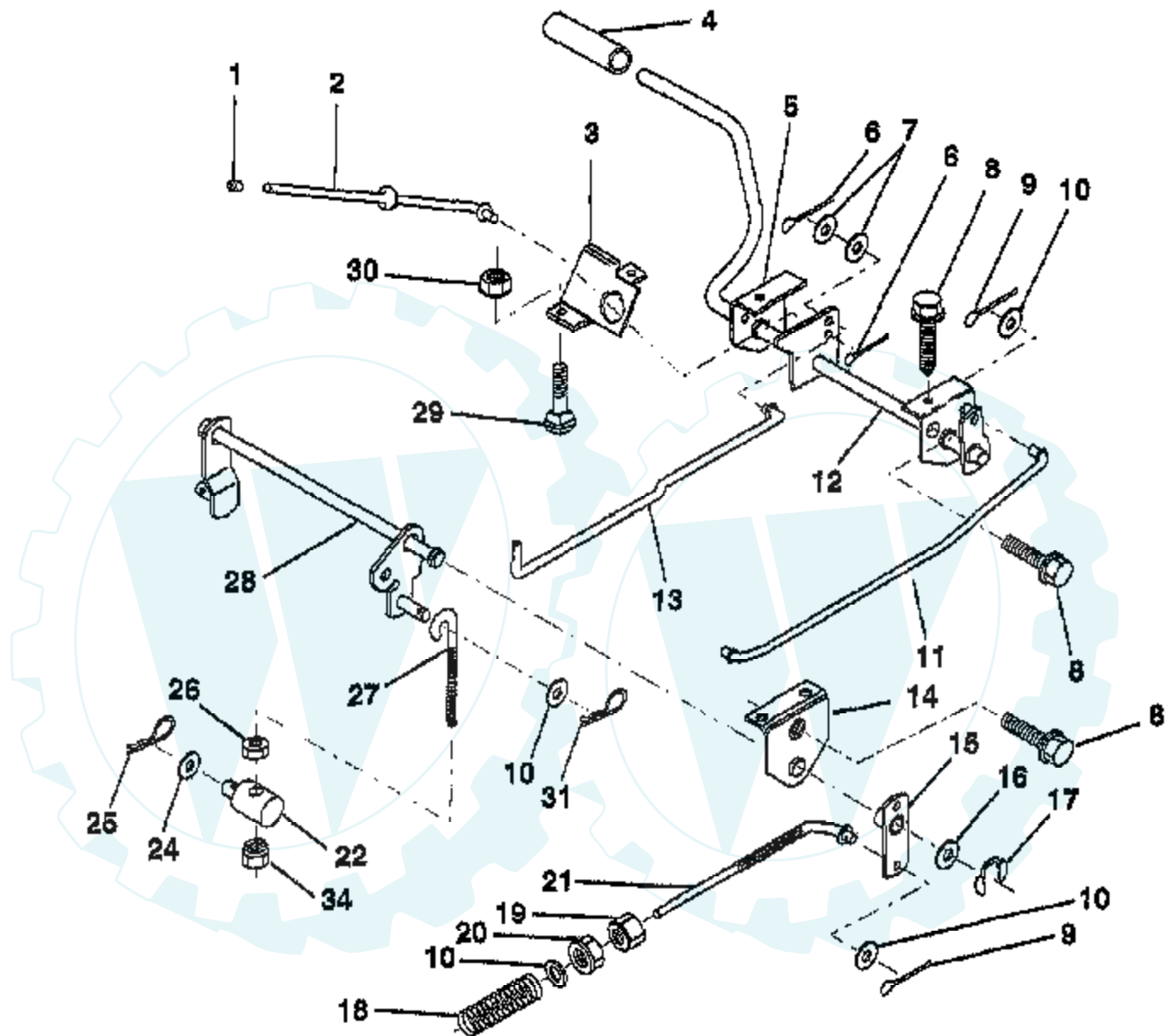


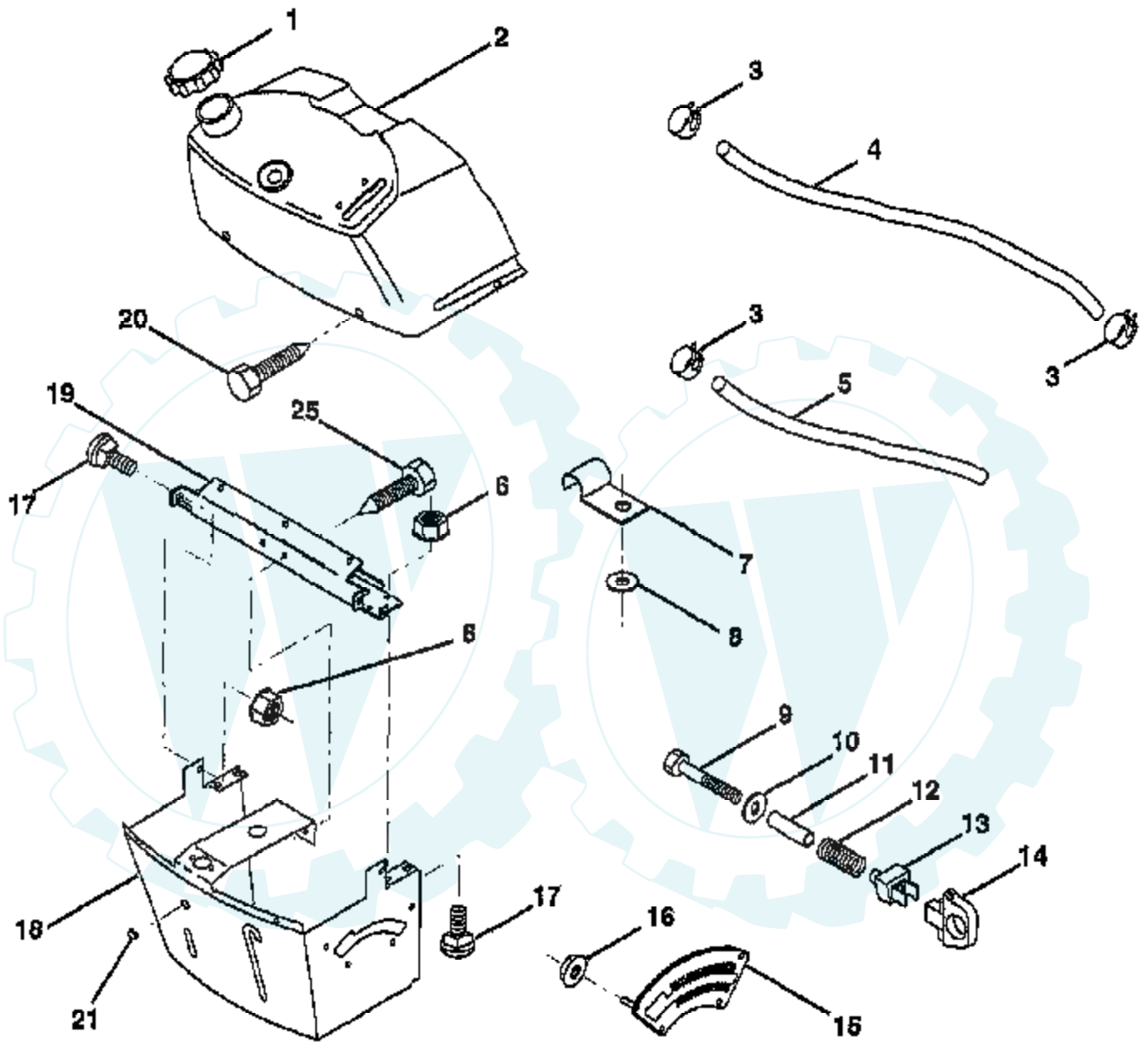
TRACTOR - - MODEL NUMBER 11HP92 (DE11B36B) BRAKE / REAR MOWER LIFT ASSEMBLY



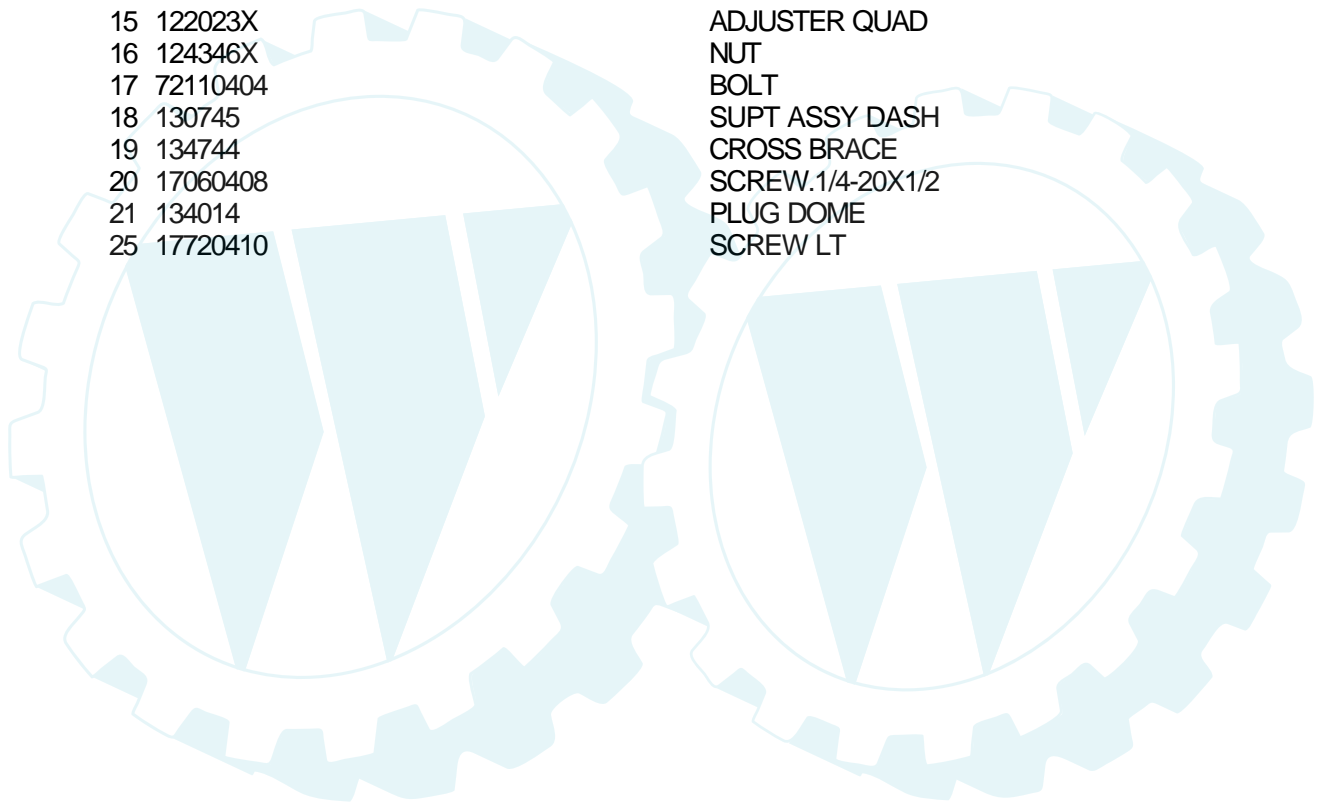
Ref #	Part Number	Qty	Description
1	71673		PLUNGER CAP T
2	123436X		"ROD,PARK BRAKE"
3	123437X		"BRKT,PARK BRAKE"
4	8156H		FOOT PEDAL COVER
5	122504X		"BRKT,CLU PEDAL LH"
6	76020312		SUB= 3145
7	19131016		WASHER
8	17490508		SCREW LT
9	76020412		COTTER PIN
10	19131316		WASHER
11	123543X		"ROD,FRT BRAKE"
12	139933		PEDAL ASM CL/BK36
13	123394X		"ROD,CLUTCH"
14	121978X		"BRKT,LIFT SHAFT"
15	133332		PVT BRAKE ARM ASM
16	19251816		WASHER T
17	12000034		KLIP RING
18	151332		SPRING ROD BRAKE
19	73350600		NUT
20	73800600		NUT
21	131460		SUB= 532131460
22	144585		TRUNNION.LIFT.
24	19132012		WASHER
25	4921H		SPRING.RETAINER
26	73930600		LOCKNUT
27	127369		"LINK, MOWER REAR"
28	140776		LIFT ASM MOW REAR
29	72110506		SUB= 72270506
30	73510500		NUT
31	3146R		RETAINER.SPRING
34	73680600		SUB= 73690600

TRACTOR - - MODEL NUMBER 11HP92 (DE11B36B)

DASH

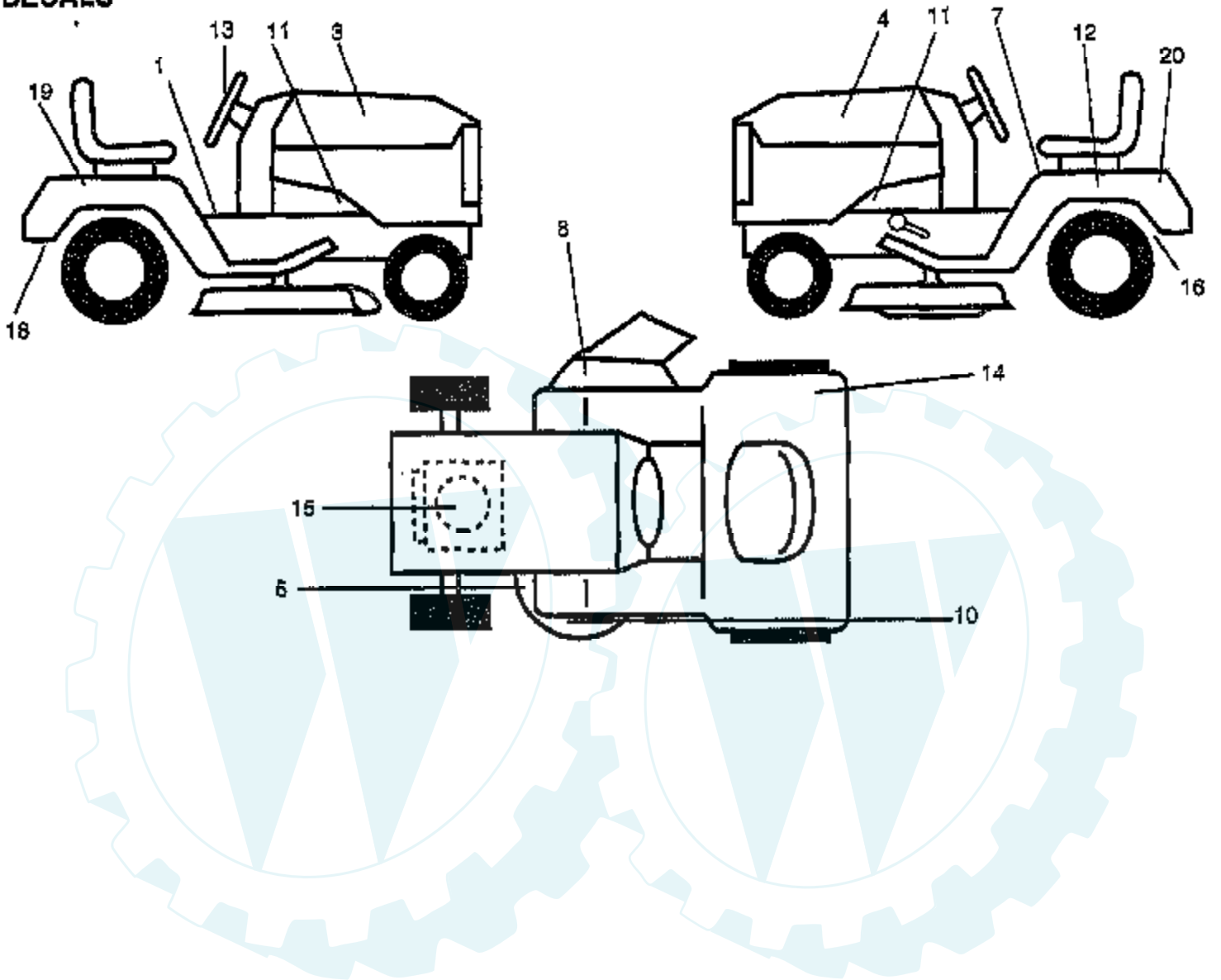


Ref #	Part Number	Qty	Description
1	141523		CAP BLK FUEL LR
2	138393		TANK.ASM.DASH.LR
3	123487X		HOSE CLAMP
4	8544R		SUB= 295J
5	8548R		FUEL LINE T
6	73640400		NUT HXKEP 1/4X20
7	2751R		CLIP T
8	19091216		WASHER PM
9	74760428		BOLT
10	19091413		WASHER
11	121249X		SPACER SPLIT
12	3720R		SPRING M
13	126450X		"KNOB,HGT RETAINER"
14	126115X		KNOB
15	122023X		ADJUSTER QUAD
16	124346X		NUT
17	72110404		BOLT
18	130745		SUPT ASSY DASH
19	134744		CROSS BRACE
20	17060408		SCREW.1/4-20X1/2
21	134014		PLUG DOME
25	17720410		SCREW LT

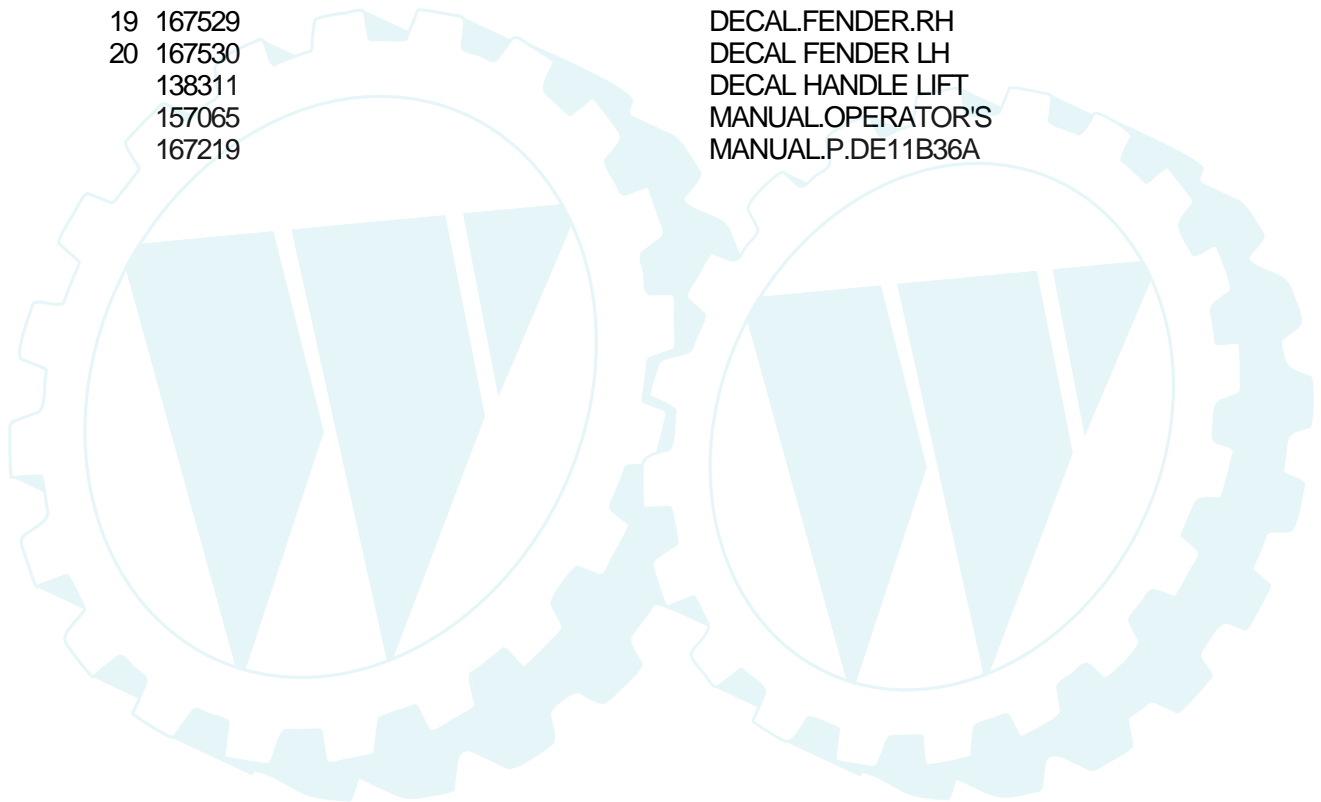


TRACTOR - - MODEL NUMBER 11HP92 (DE11B36A)

DECALS

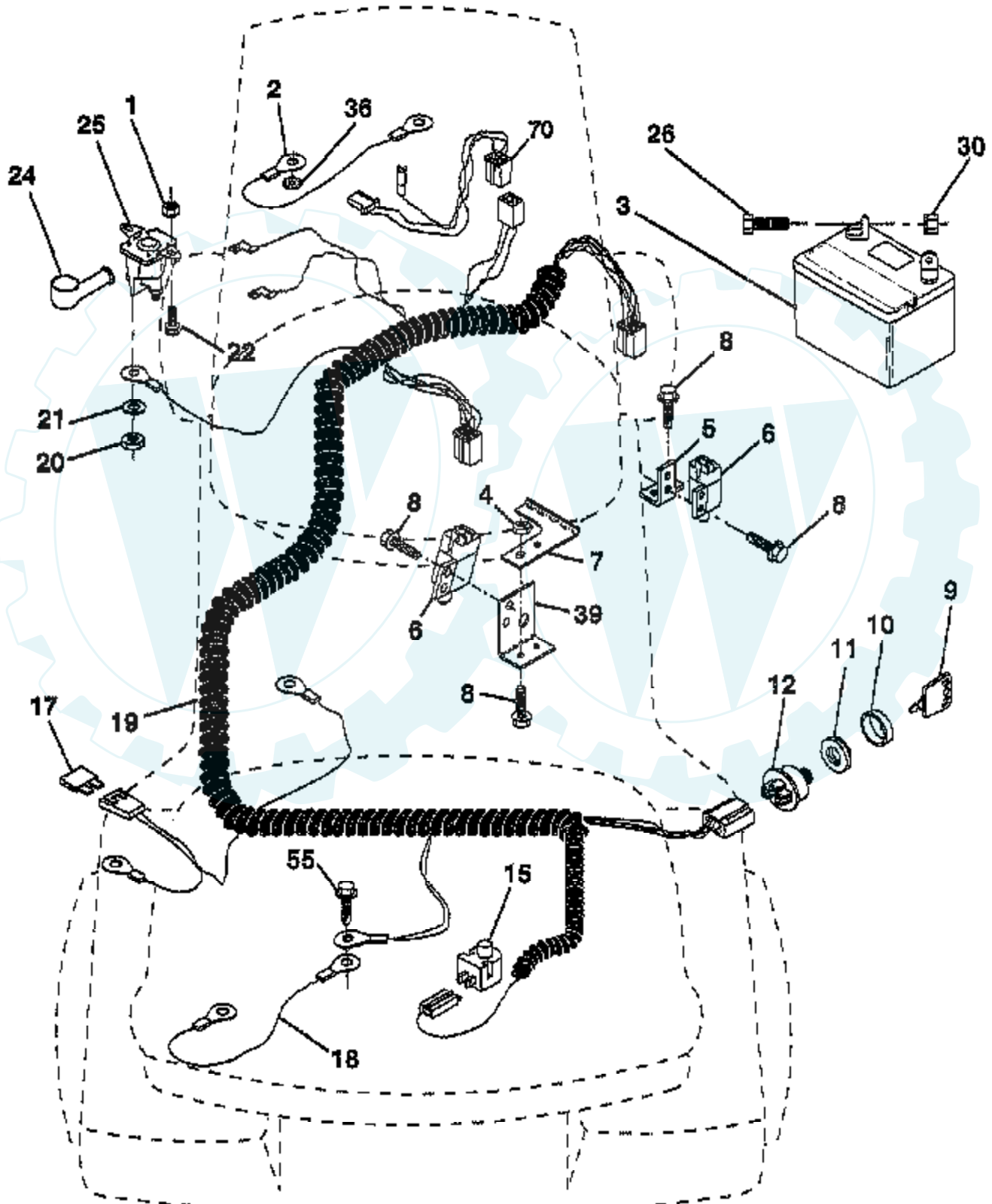


Ref #	Part Number	Qty	Description
1	159739		DECAL CLUTCH/BRAK
3	167523		DECAL.HOOD.RH
4	167524		DECAL.HOOD.LH
5	136830		DECAL.V.BELT
7	145498		DECAL.READ.O.MANU
8	145494		DECAL.DANGER.CUTF
10	167532		DECAL.DECK.MOWER
11	159736		"DECAL CHASSIS,HOT"
12	145005		DECAL.BATRY.3-3908
13	167531		DECAL.INST.STEERING
14	126187X		SUB= 532126187
15	165331		SUB= 272748
16	162598		DECAL.DRAWBAR.LDL
18	145437		DECAL.EURO.ST.CE.
19	167529		DECAL.FENDER.RH
20	167530		DECAL FENDER LH
	138311		DECAL HANDLE LIFT
	157065		MANUAL.OPERATOR'S
	167219		MANUAL.P.DE11B36A



TRACTOR -- MODEL NUMBER 11HP92 (DE11B36B)

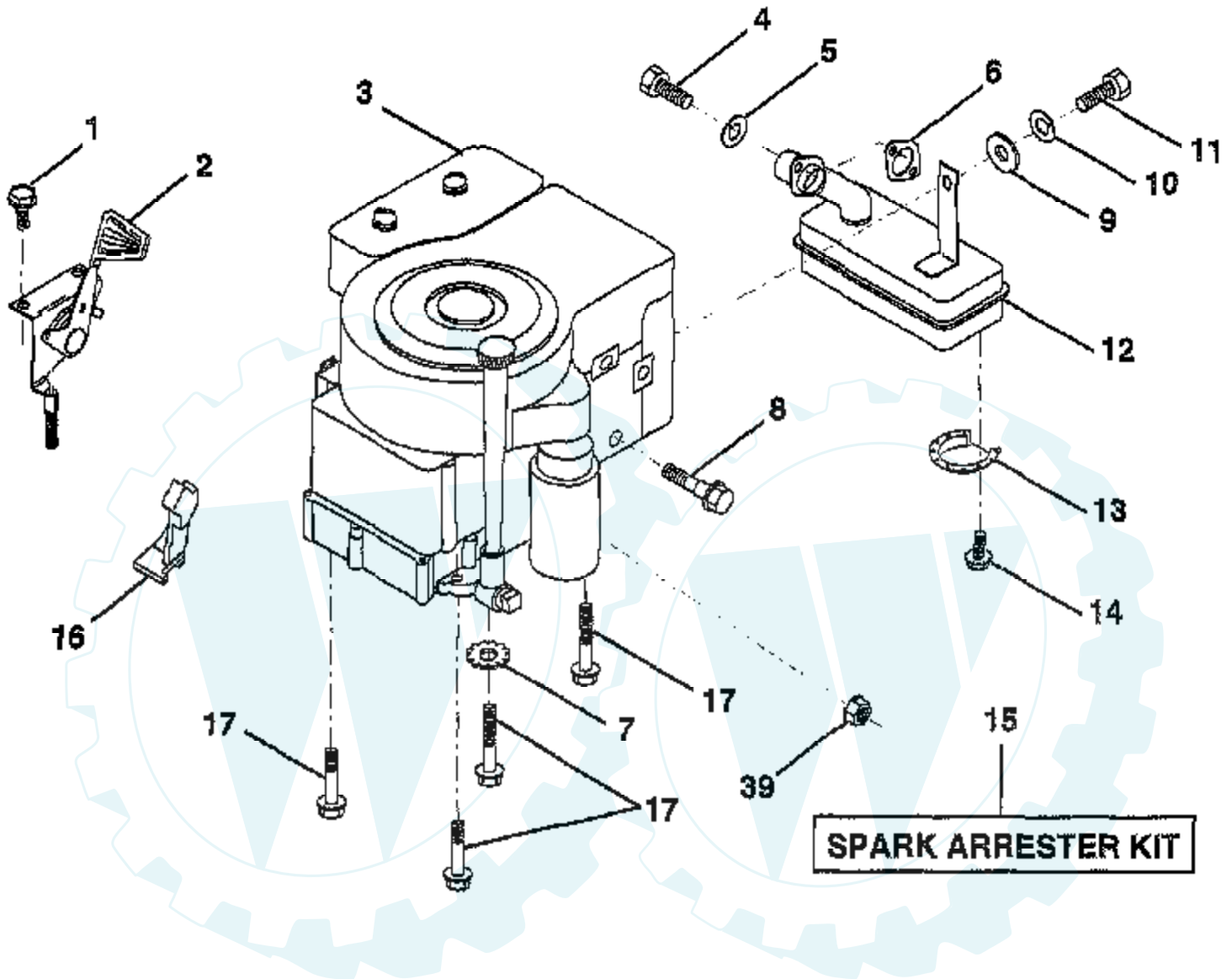
ELECTRICAL



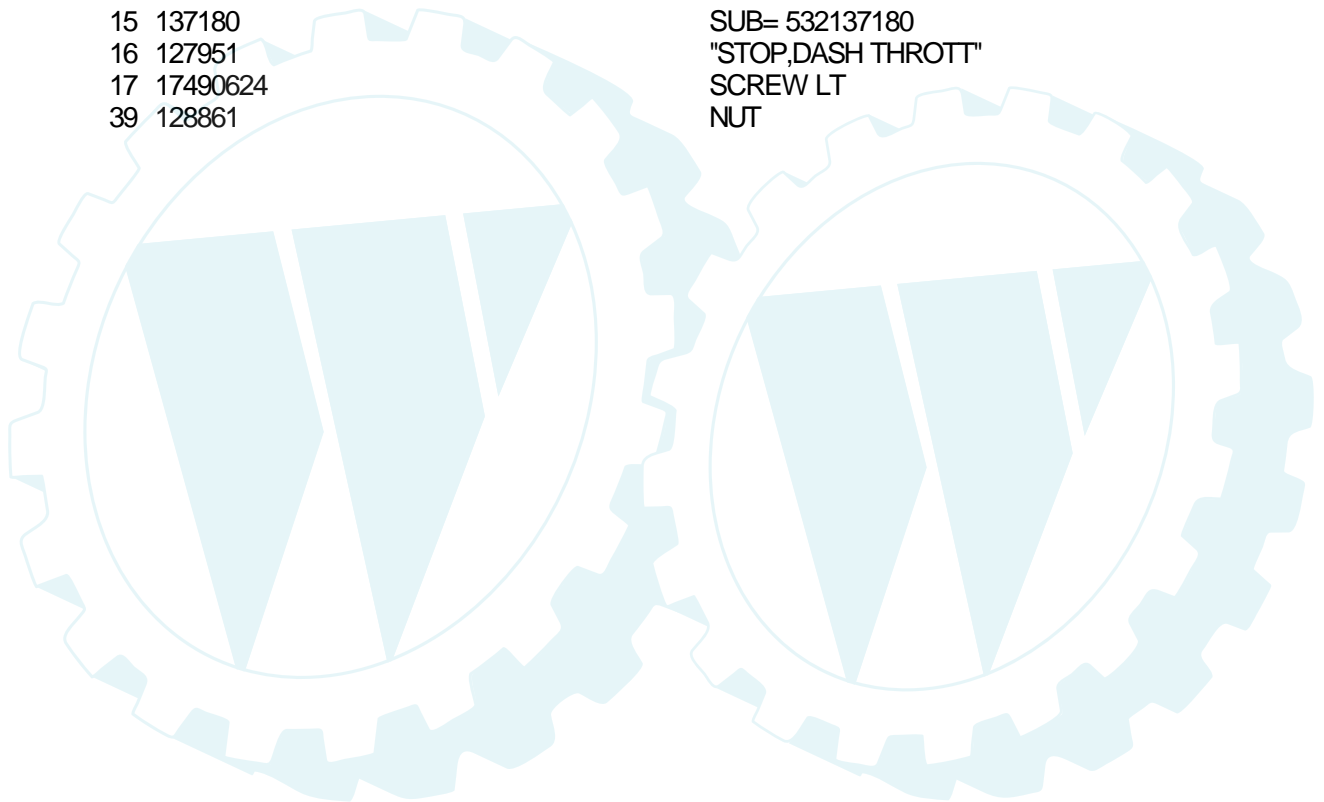
Ref #	Part Number	Qty	Description
	REFER		REFER TO IMAGE
1	73640400		NUT HXKEP 1/4X20
2	108423X		CABLE ASM.
3	144924		SUB= 123899X
4	69180		LOCKNUT
5	108236X		BRACKET LT
6	109553X		SWITCH INTERLOCKT
7	146374		KEEPER.ACTUAT.LR.
8	17021008		SCREW
9	140402		KEY STEEL DELTA
10	141226		COVER KEY SWITCH
11	140400		SUB= 145774
12	163088		SWITCH.IGNITION
15	121305X		SWITCH SEAT
17	108824X		FUSE HYT
18	128353		CABLE ASSY
19	166143		HARNESS.IGNITION
20	73350400		NUT
21	10090400		SUB= 10040400
22	71110408		BOLT HXHD FIN
24	131563		SUB= 154336
25	145673		SUB= 146154
26	74760412		BOLT LT
27	73510400		NUT
36	11150400		LOCKWASHER
39	141735		BRACKET SWT CLUTC
55	17490508		SCREW LT
70	167223		HARNESS, ENGINE

TRACTOR - - MODEL NUMBER 11HP92 (DE11B36B)

ENGINE / THROTTLE

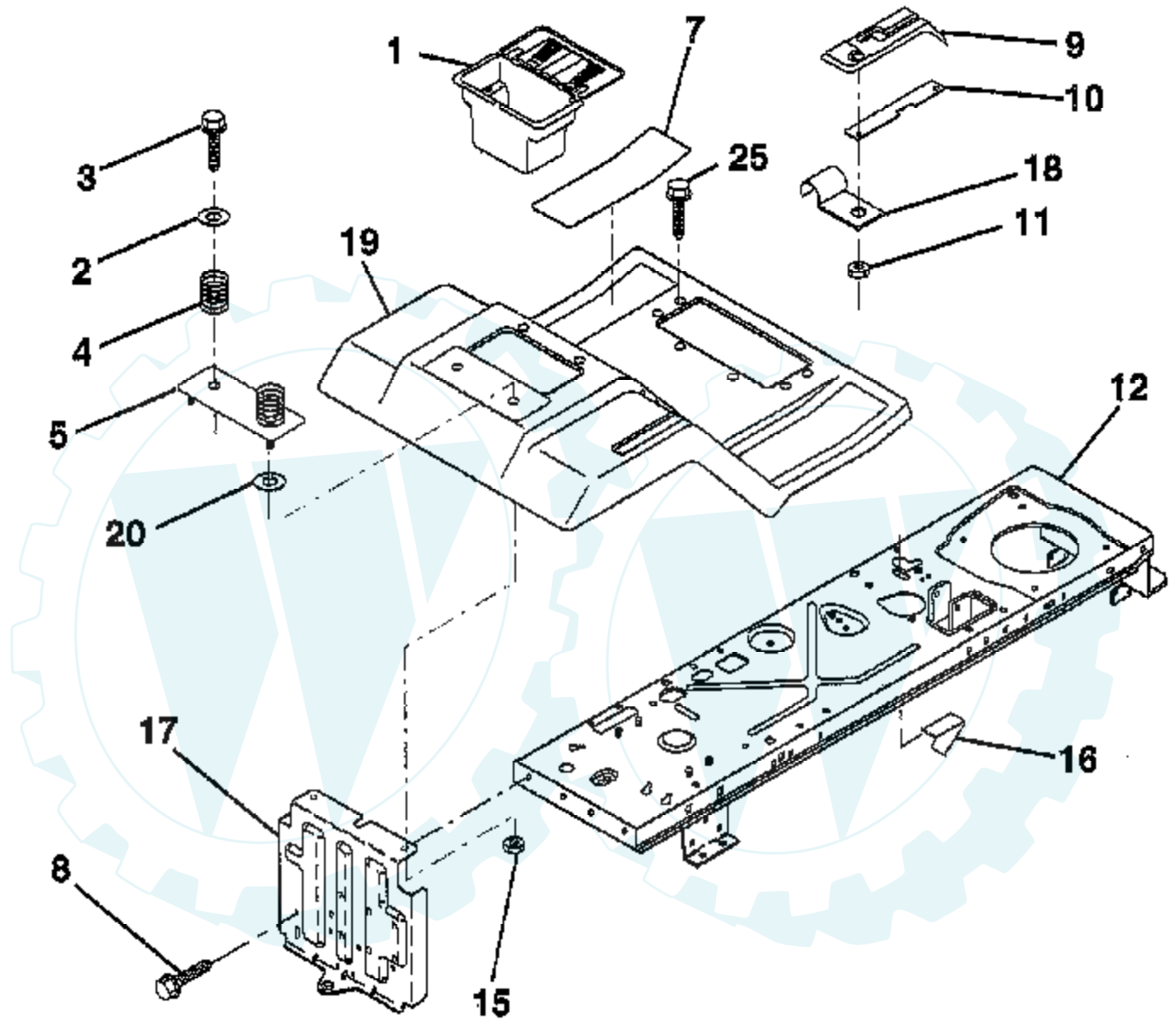


Ref #	Part Number	Qty	Description
1	17720410		SCREW LT
2	133025		SUB= 532133025
3	SUPPLIER		CHECK WITH SUPPLIER
4	71070512		SCREW
5	10040500		LOCKWASHER
6	165291		SUB= 272293
7	11050600		LOCKWASHER
8	121094X		BOLT T
9	19101216		WASHER
10	10040400		LOCKWASHER
11	SUPPLIER		CHECK WITH SUPPLIER
12	137437		MUFFLER
13	101326L		DEFLECTOR.222573
14	17030808		SUB= 17030814
15	137180		SUB= 532137180
16	127951		"STOP,DASH THROTT"
17	17490624		SCREW LT
39	128861		NUT

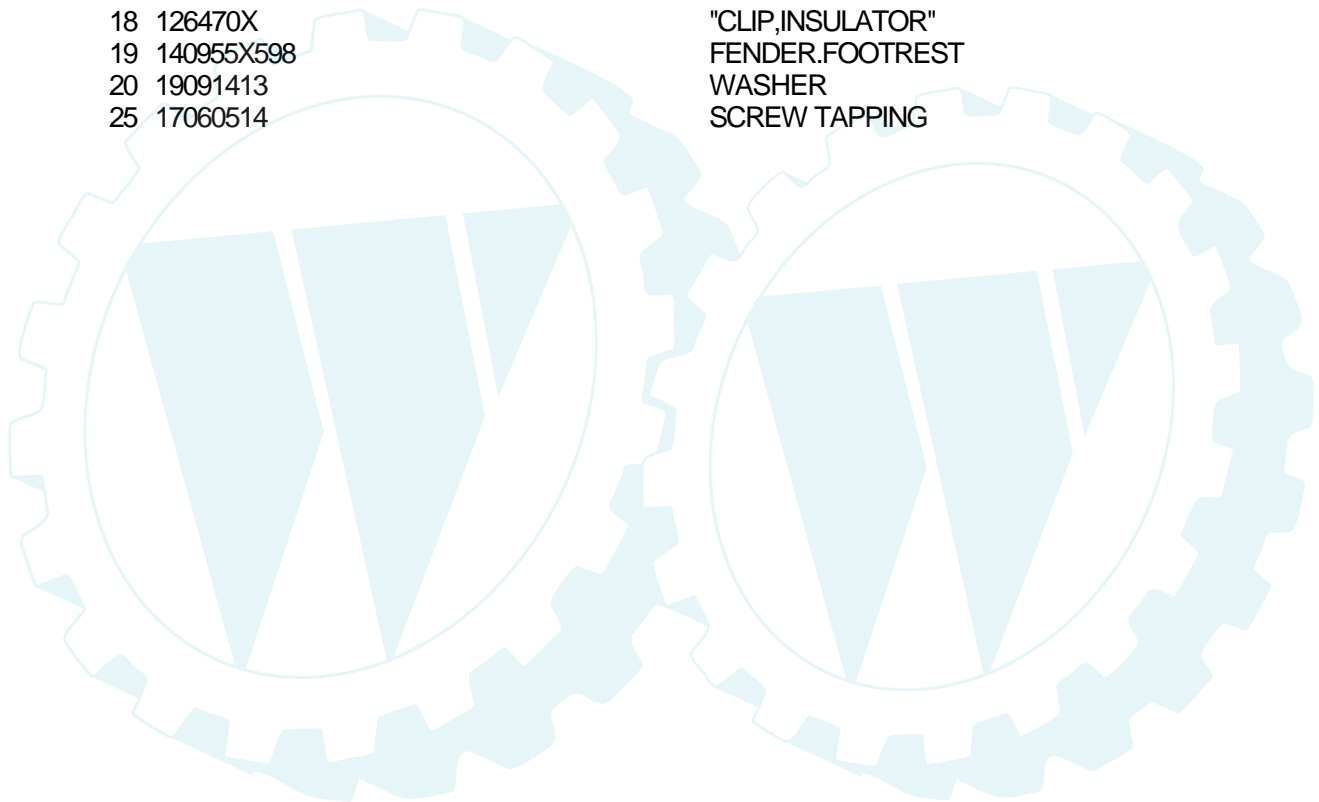


TRACTOR - - MODEL NUMBER 11HP92 (DE11B36B)

FENDER / CHASSIS

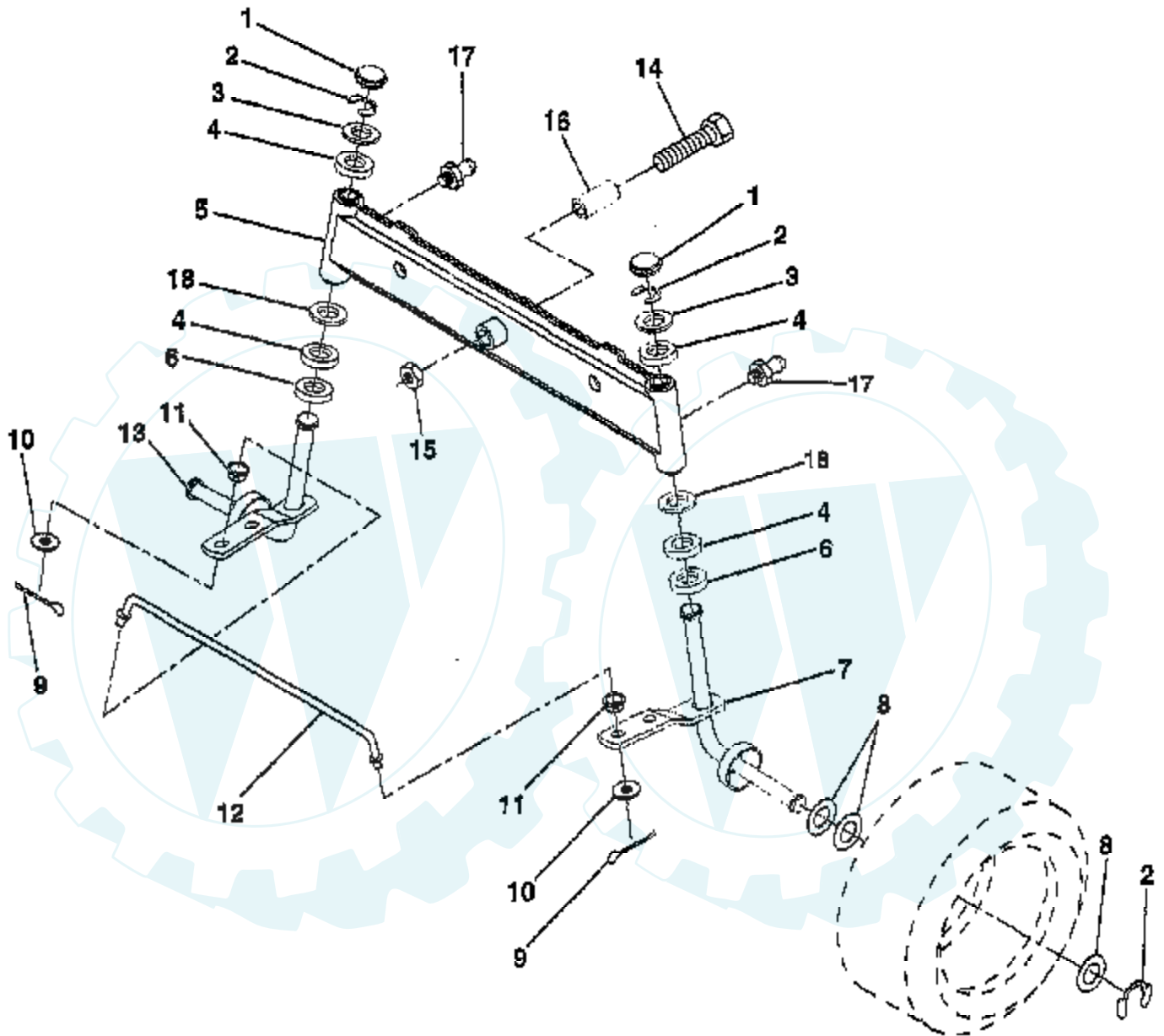


Ref #	Part Number	Qty	Description
1	156417		"CASE,BATTERY.MECH"
2	19132012		WASHER
3	17490612		SCREW
4	124181X		SPRING COMPRESSIO
5	127115X598		PLATE, BATTERY
7	124144X		PAD FOOTREST
8	17490512		SCREW
9	126996X428		CONSOLE.SHT.4SP.
10	139783		PLATE LOCK SHIFT
11	124346X		NUT
12	145190		CHASSIS.WELD.ASM.
15	73640400		NUT HXKEP 1/4X20
16	141736		SUB= 146613
17	140782		DRAWBAR ASM LR
18	126470X		"CLIP,INSULATOR"
19	140955X598		FENDER.FOOTREST
20	19091413		WASHER
25	17060514		SCREW TAPPING

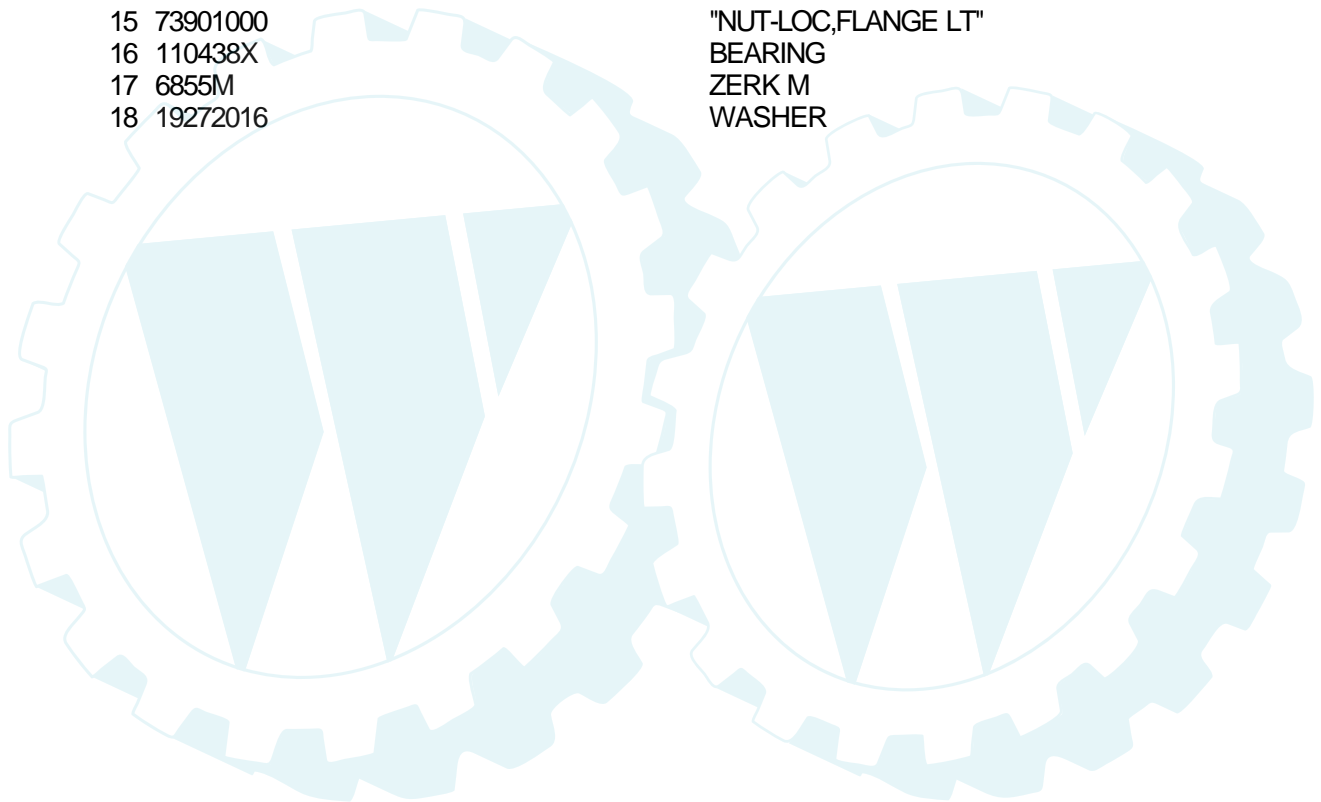


TRACTOR - - MODEL NUMBER 11HP92 (DE11B36B)

FRONT AXLE

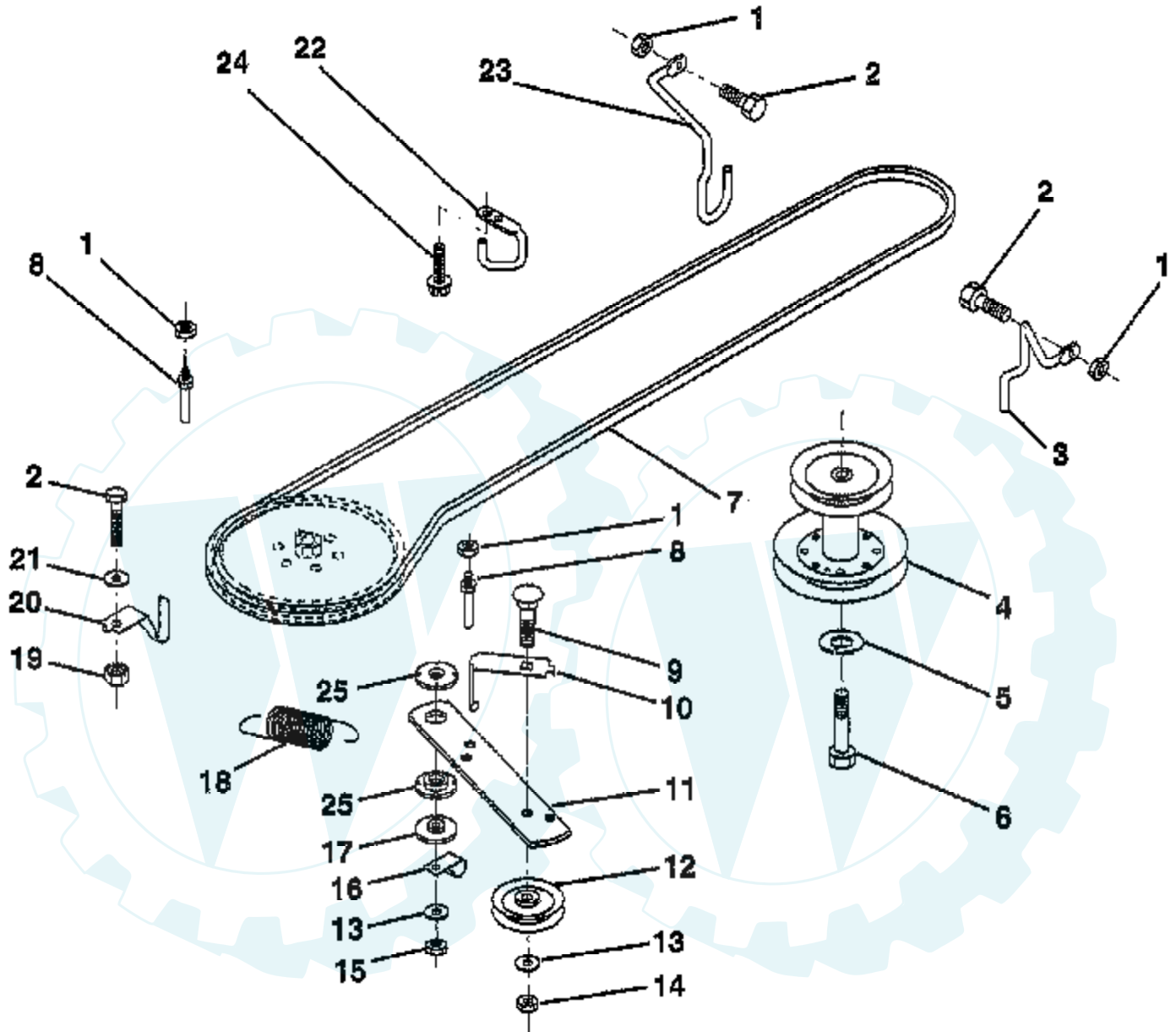


Ref #	Part Number	Qty	Description
1	121232X		CAP
2	12000029		RING
3	121748X		WASHER
4	3366R		COL. SRTG. BEAR.
5	142033		AXLE ASM FRONT
6	6266H		WASHER .T
7	161826		SPINDLE.ASSY.RH
8	121749X		WASHER
9	76020412		COTTER PIN
10	19131316		WASHER
11	126847X		BUSHING.DRAGLINK
12	130465		TIE ROD
13	161827		SPINDLE.ASSY.LH
14	74011056		BOLT HEX 5/8-11
15	73901000		"NUT-LOC,FLANGE LT"
16	110438X		BEARING
17	6855M		ZERK M
18	19272016		WASHER

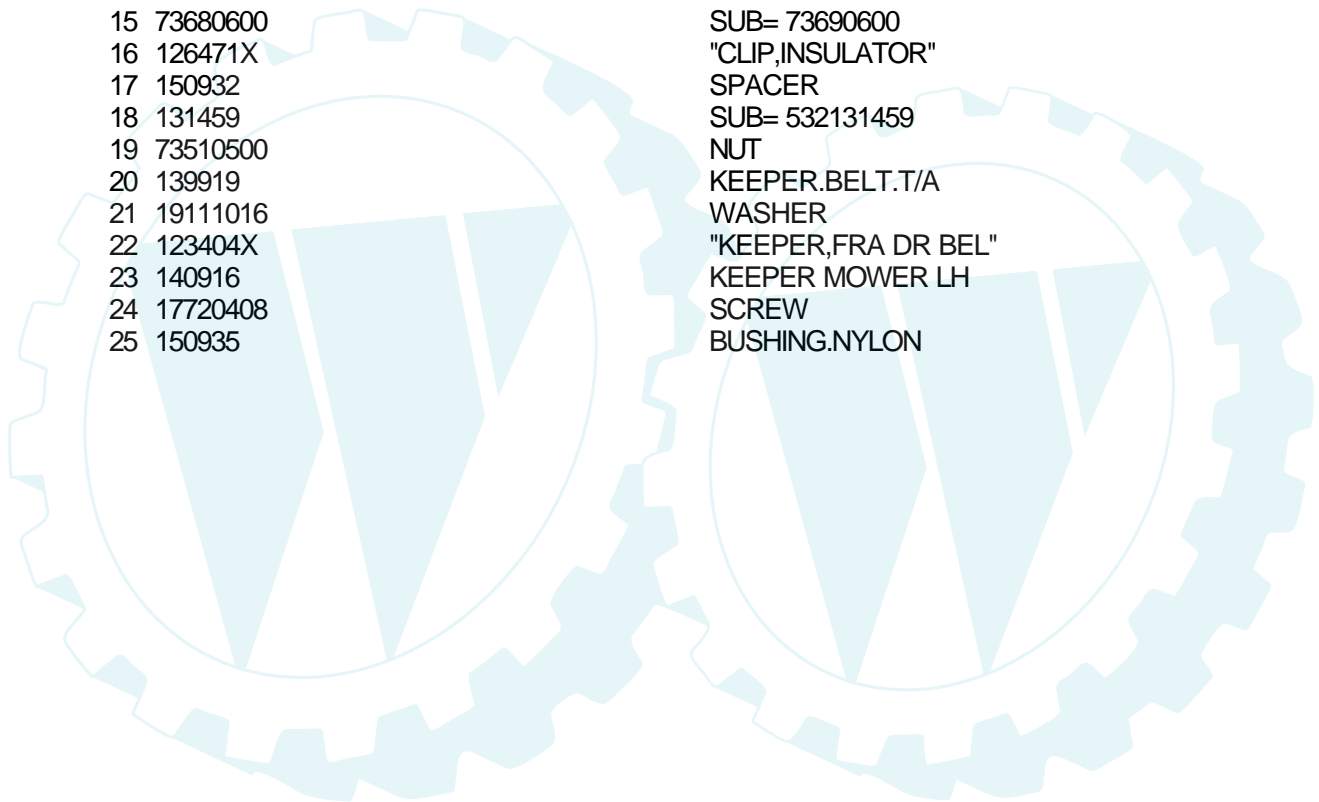


TRACTOR - - MODEL NUMBER 11HP92 (DE11B36B)

GROUND DRIVE

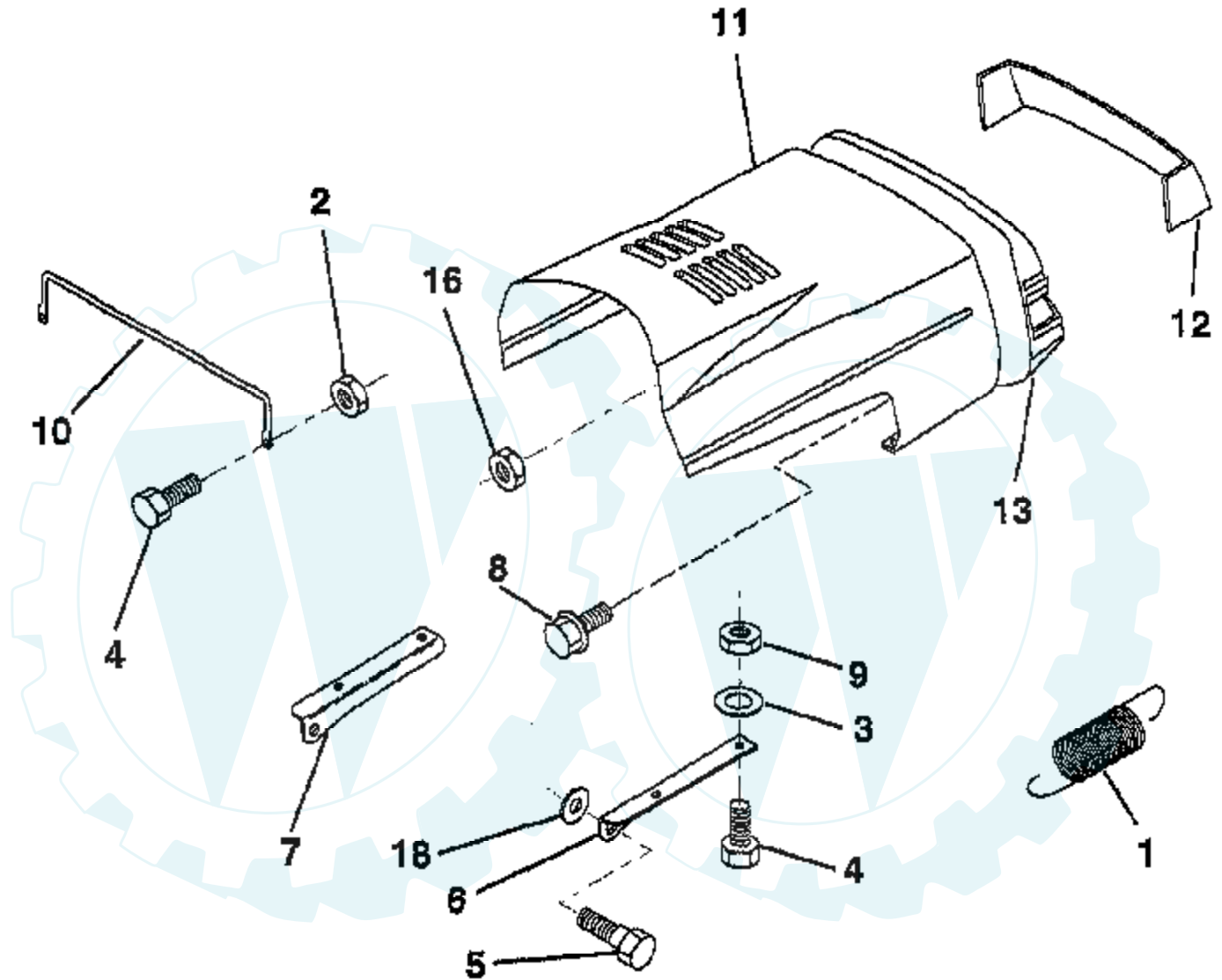


Ref #	Part Number	Qty	Description
1	73680500		SUB= 73690500
2	74760512		BOLT
3	141342		KEEPER RH
4	138029		PULLEY.ENGINE.LR
5	10040700		LOCKWASHER
6	71170744		HEX BOLT
7	126520X		V BELT
8	123405X		"KEEPER,DRIVE BELT"
9	72140612		BOLT
10	123396X		"KEEP,IDLER DR BEL"
11	150926		ARM-IDLER.DR.GRND
12	123674X		PULLEY.IDLER.FLAT
13	19131316		WASHER
14	73930600		LOCKNUT
15	73680600		SUB= 73690600
16	126471X		"CLIP,INSULATOR"
17	150932		SPACER
18	131459		SUB= 532131459
19	73510500		NUT
20	139919		KEEPER.BELT.T/A
21	19111016		WASHER
22	123404X		"KEEPER,FRA DR BEL"
23	140916		KEEPER MOWER LH
24	17720408		SCREW
25	150935		BUSHING.NYLON

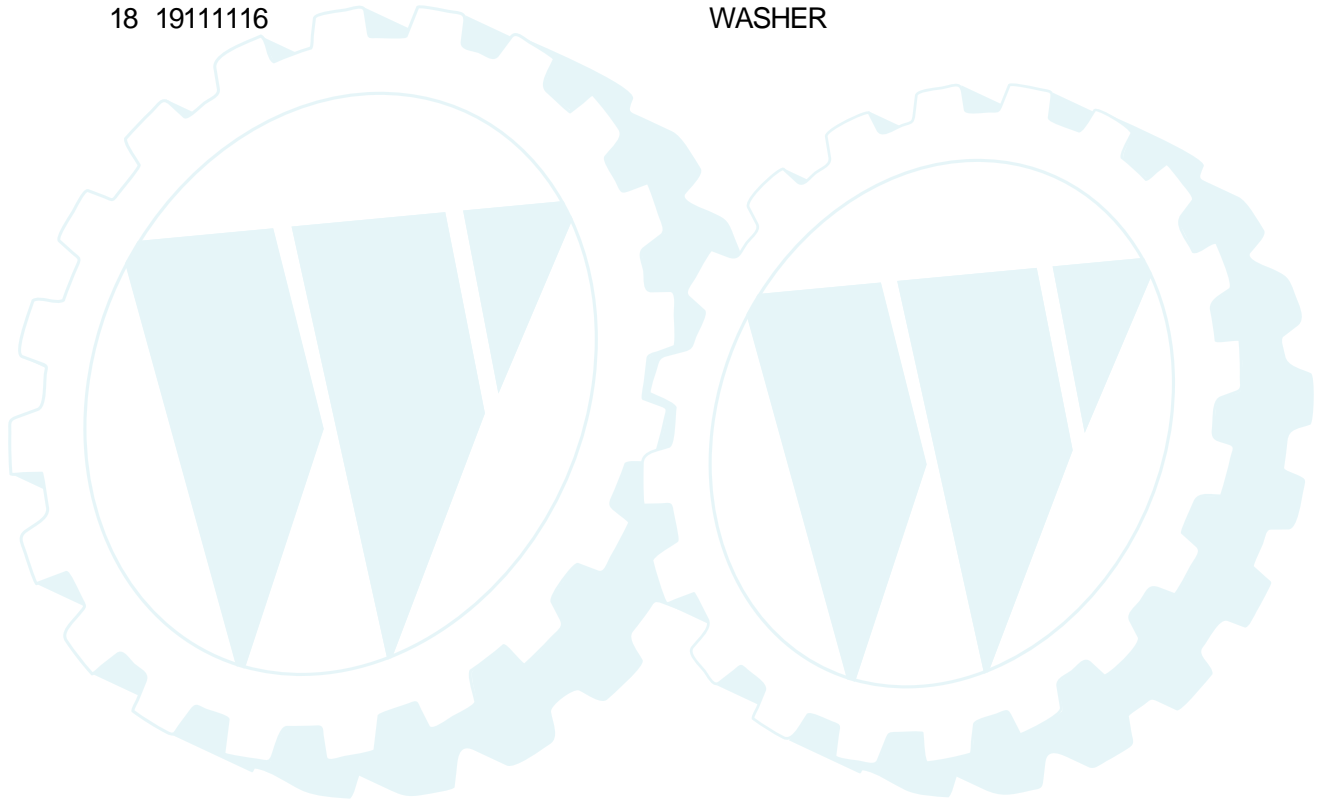


TRACTOR - - MODEL NUMBER 11HP92 (DE11B36B)

HOOD

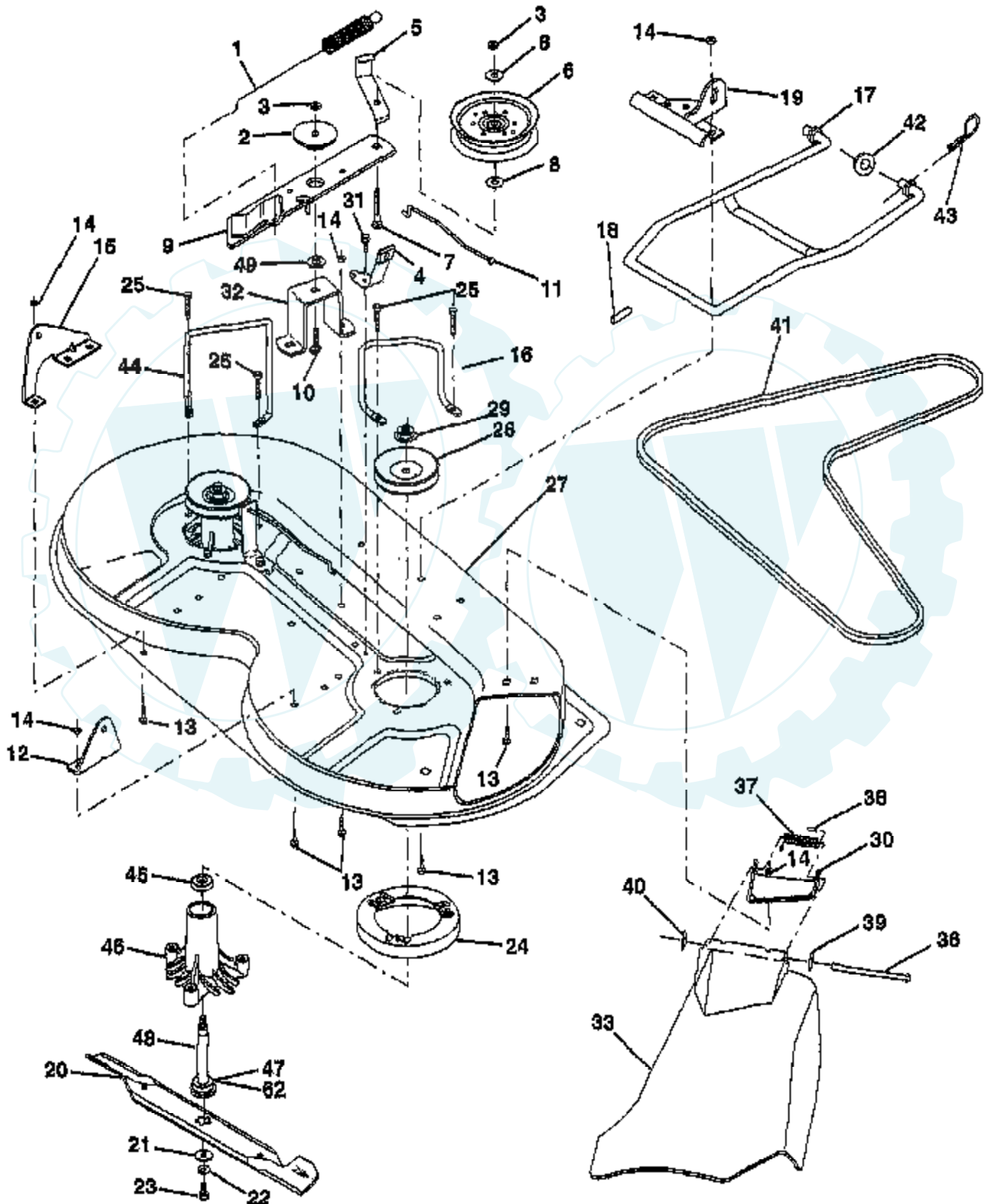


Ref #	Part Number	Qty	Description
1	124657X		EXT SPRING
2	73510400		NUT
3	19091416		WASHER
4	74780412		SUB= 74780414
5	139888		BOLT.SHLD.5/16-18
6	122549X		BRKT HOOD RH
7	122548X		BRKT HOOD LH
8	164863		"SCREW,HWHD.HI-LO#13-16X3/4"
9	73800400		NUT
10	123693X		"BRACE,HOOD"
11	132918X598		HOOD.LR SAGE
12	140126		LENS.HEADLIGHT.BAR
13	140109		GRILL
16	124346X		NUT
18	19111116		WASHER



TRACTOR -- MODEL NUMBER 11HP92 (DE11B36B)

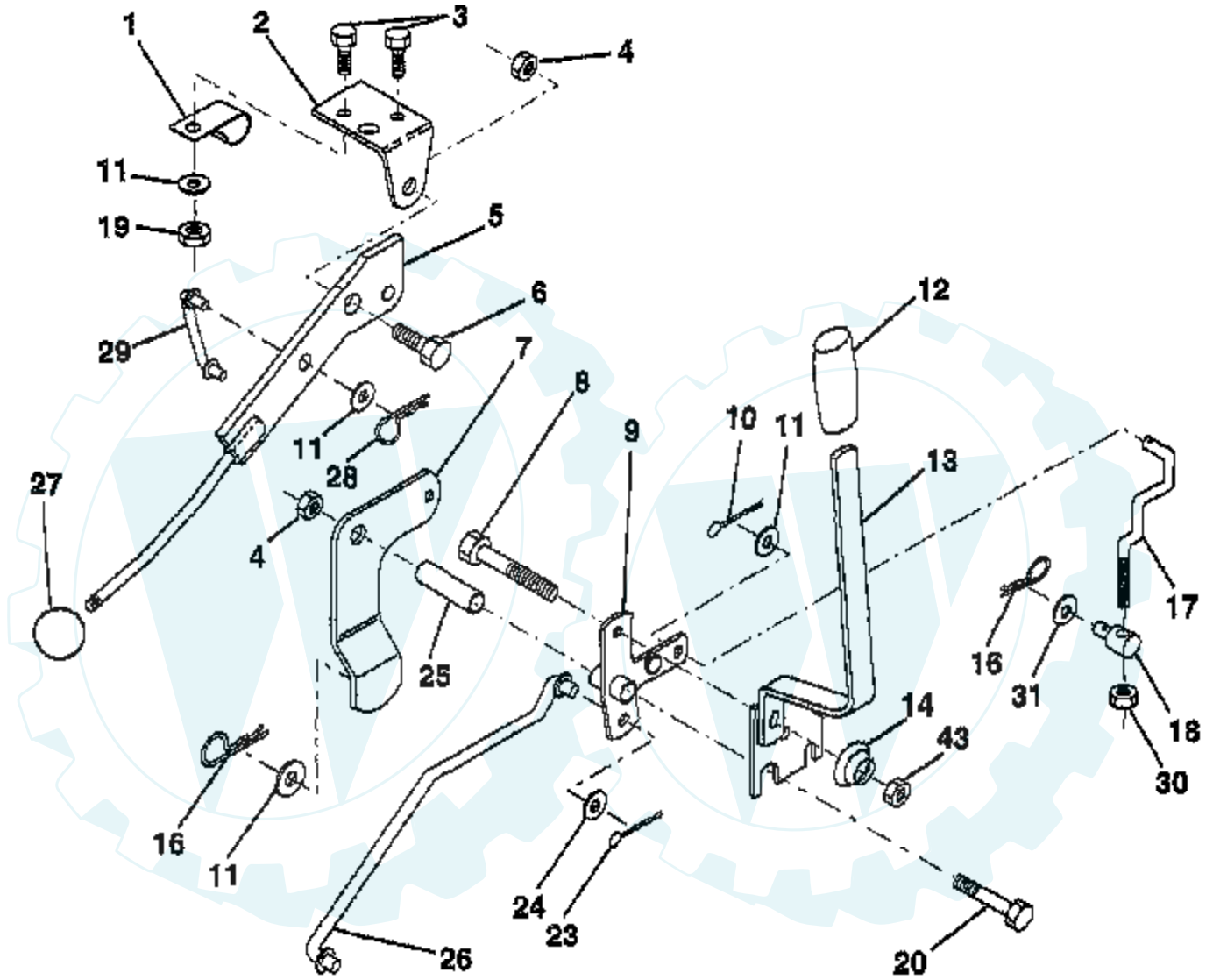
MOWER DECK



Ref #	Part Number	Qty	Description
1	140064		SPRING CLUTCH MWR
2	122052X		SPACER RETAINER
3	73680600		SUB= 73690600
4	130840		BRAKE ASM
5	131251		IDLER BELT GUIDE
6	121316X		PULLEY IDLER
7	72110616		BOLT
8	19131410		WASHER
9	127744		SUB= 140092
10	72140610		BOLT.3/8-14X1.25
11	130841		BRAKE ROD
12	127356		"BRKT,LIFT REAR"
13	72140506		BOLT
14	73680500		SUB= 73690500
15	127357		"BRKT,LIFT REAR LH"
16	153298		"KEEPER-BELT,RH"
17	128508		MOWER LINK STAB
18	128511		"PIN,GROOVE"
19	127380		"BRKT,LINK STABILI"
20	138496		"BLADE.36"" HIPERF"
21	140296		WASHER.HARD.BLADE
22	10030600		SUB= 10040600
23	850857		BLADE BOLT
24	140329		STRIPPER RND MWR
25	157722		"SCREW-THD ROLL,WA"
27	156600		"HOUSING-MOWER,36""
28	153531		PULLEY.MAND.36/46
29	137266		SUB= 139729
30	136631		SUB= 532136631
31	17490508		SCREW LT
32	122051X		"SUPT,IDLER ARM"
33	131560		SUB= 532131560
36	121980X		HINGE ROD
37	123713X		SPRING TORSION
38	105304X		CAP-SLEEVE LT
39	19111016		WASHER
40	110452X		NUT PUSH M
41	131264		V-BELT.PRIM.78.5.
42	19171616		WASHER
43	3146R		RETAINER.SPRING
44	140608		KEEPER BELT LH
45	110485X		BEARING
46	128774		HSG ASM MANDREL
47	129895		BEARING.BALL
48	137645		SUB= 137646
49	133943		HARDENED WASHER
62	153390		WASHER.FELT.
	130794		MANDREL ASM
	156866		"DECK SERVICE.36""

TRACTOR - - MODEL NUMBER 11HP92 (DE11B36B)

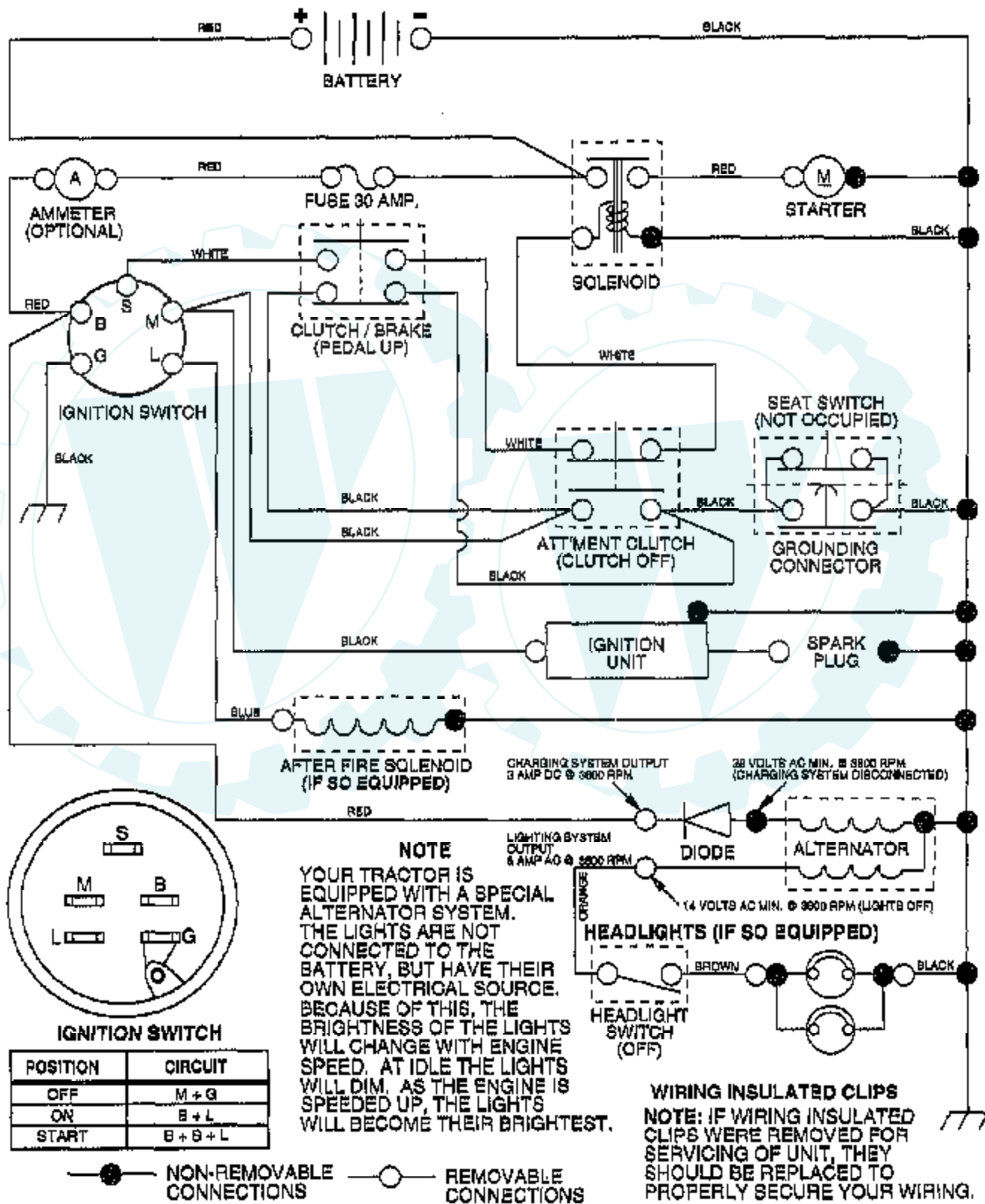
MOWER LIFT LEVER



Ref #	Part Number	Qty	Description
1	126470X		"CLIP,INSULATOR"
2	122018X		BRKT CLUTCH
3	71110408		BOLT HXHD FIN
4	73680600		SUB= 73690600
5	145187		LEVER.ASM.CLUTCH
6	106451X		"BOLT, SHOULDER LT"
7	135371		MWR CLUTCH ARM AS
8	74760636		BOLT
9	121930X		"BELLCRANK,LIFT"
10	76020412		COTTER PIN
11	19131316		WASHER
12	131861		SUB= 532131861
13	139352		HANDLE.ASM.LIFT
14	123496X		SPRING COMPRESSIO
16	4921H		SPRING.RETAINER
17	127359		"LINK,LIFT FRT"
18	142028		TRUNION ADJ
19	73680400		SUB= 73690400
20	74760644		BOLT
23	76020416		PIN COTTER 1/8
24	19171612		WASHER GT
25	121933X		TUBE SPACER
26	141470		ROD LIFT MOWER
27	106932X		KNOB T(3/8 HOLE)
28	4497H		RETAINER M
29	131655		CLUTCH LINK
30	73350600		NUT
31	19132012		WASHER
43	73900600		SUB= 83923

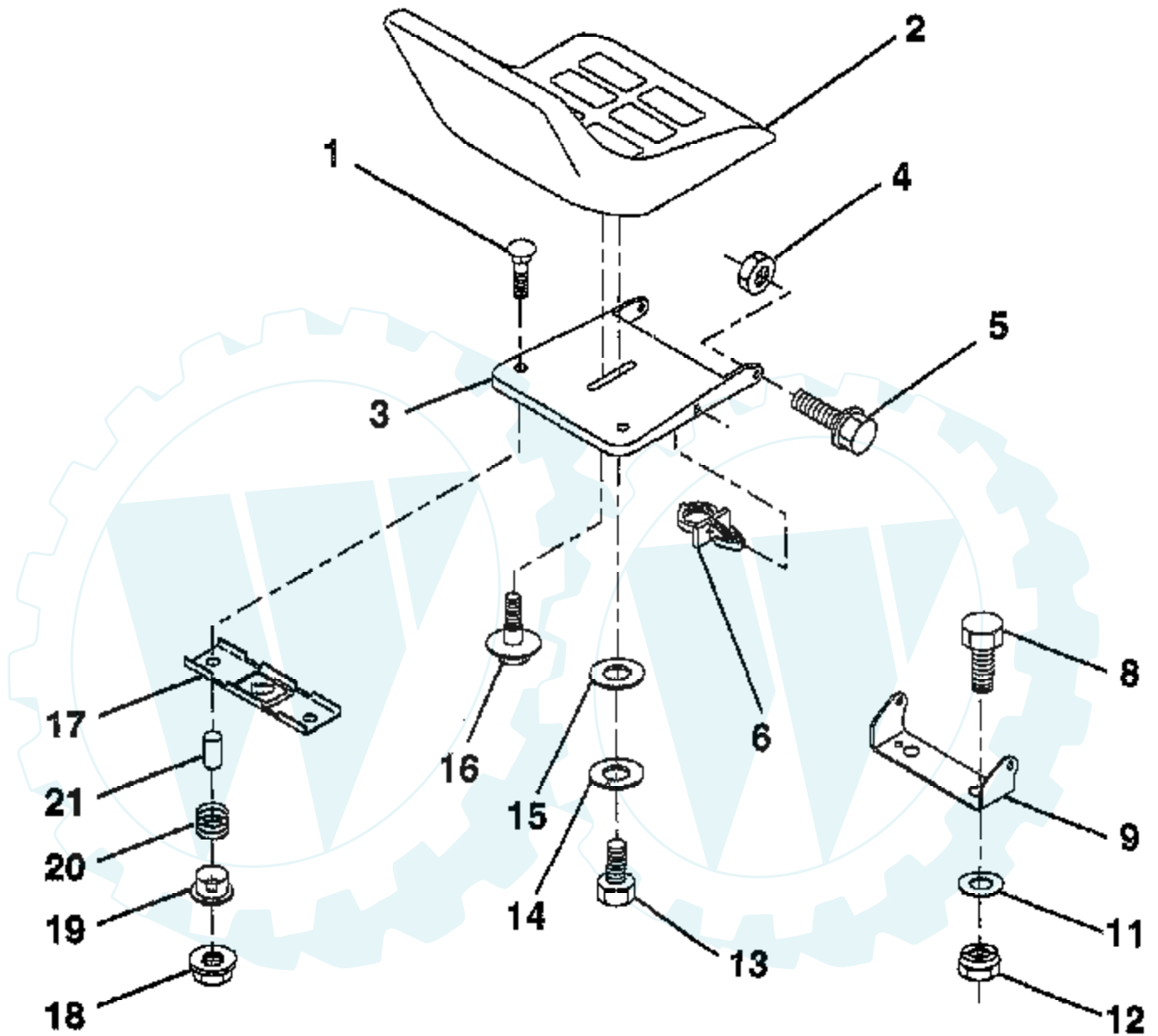
TRACTOR -- MODEL NUMBER 11HP92 (DE11B36B)

SCHEMATIC

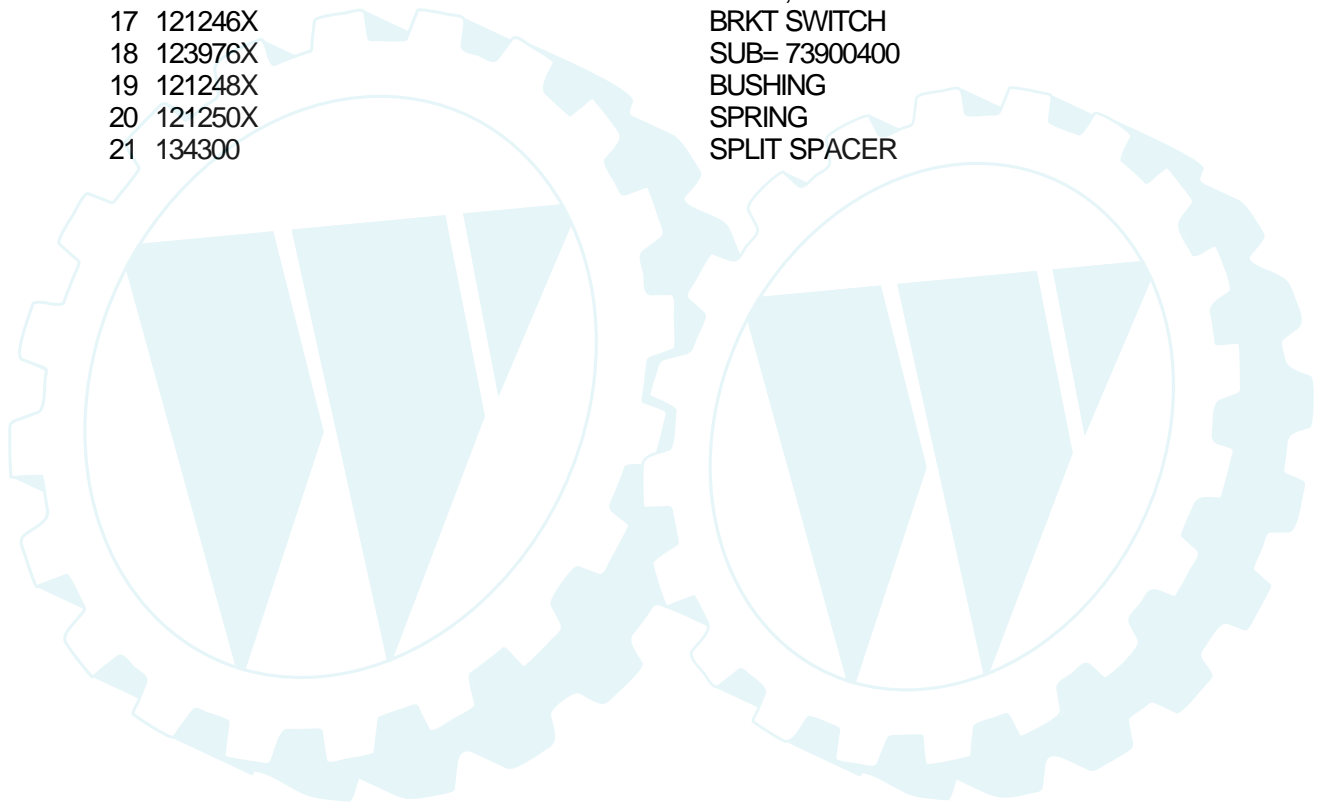


TRACTOR - - MODEL NUMBER 11HP92 (DE11B36B)

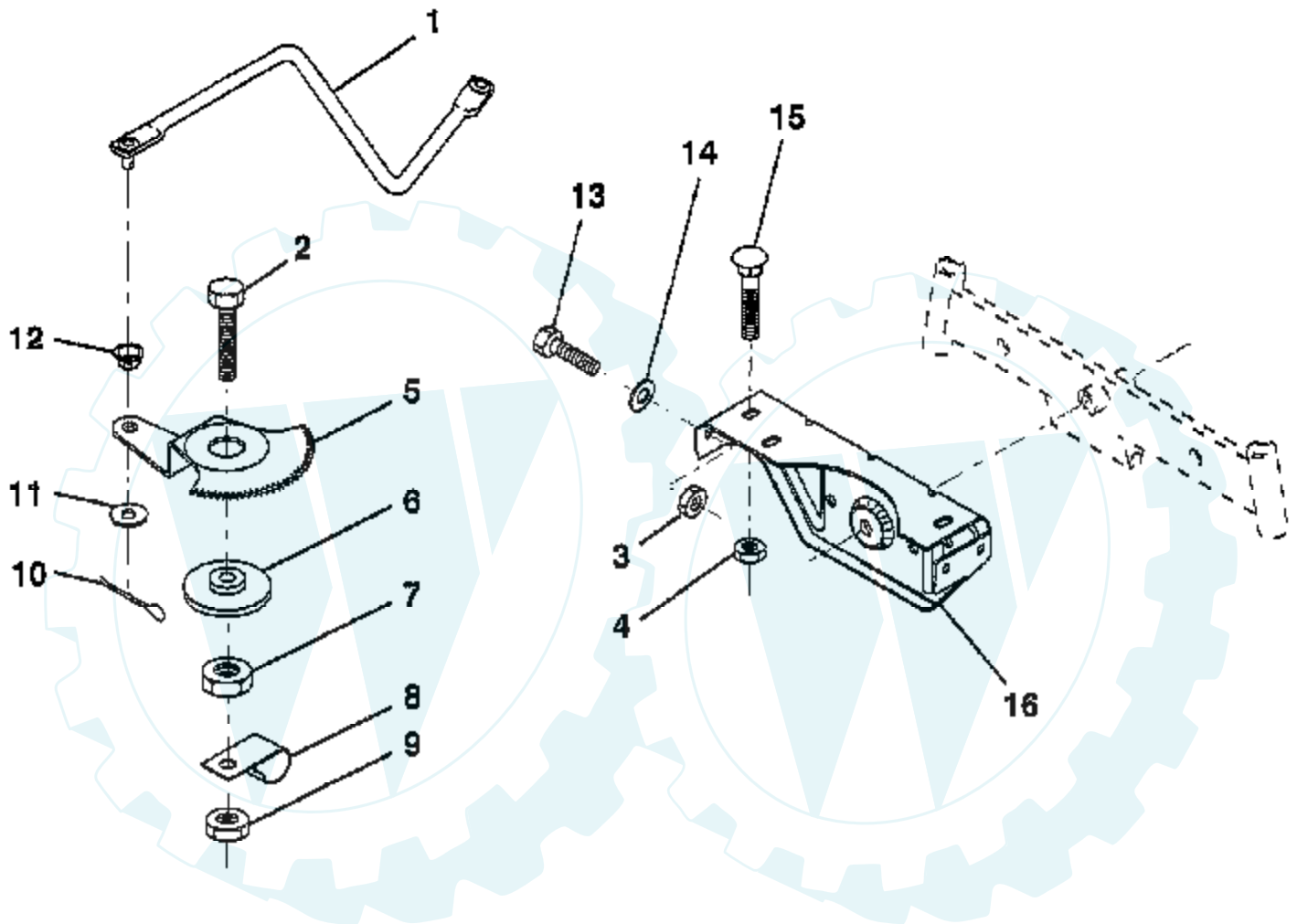
SEAT



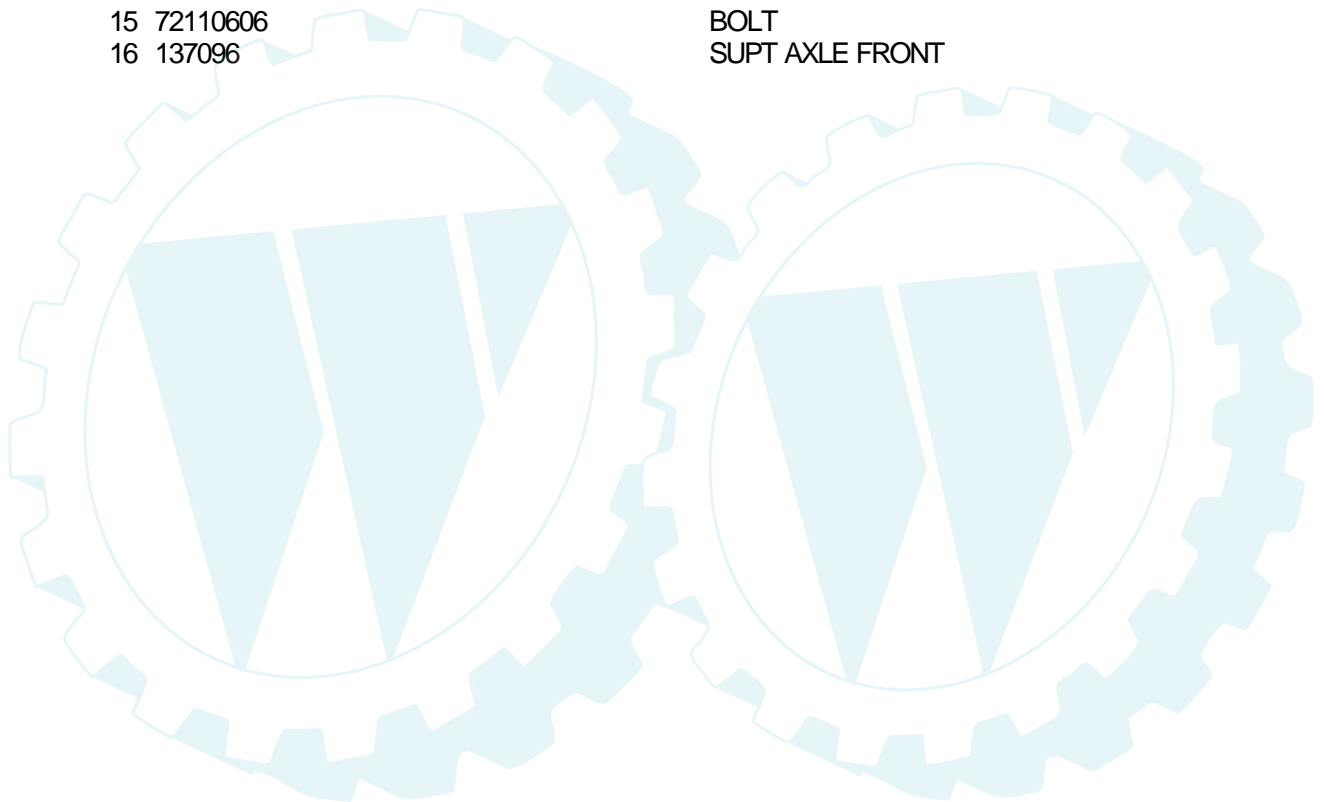
Ref #	Part Number	Qty	Description
1	72050412		BOLT-RD HD SQ NK
2	127426X		SUB= 140119
3	155925		PAN-SEAT
4	73800500		NUT
5	153236		"BOLT,SHOULDER"
6	145006		CLIP.PUSH-IN.HING
8	74760616		BOLT
9	140551		BRACKET PVT SEAT
11	19133210		WASHER
12	73800600		NUT
13	74780814		BOLT
14	10040800		LOCKWASHER
15	19171912		WASHER
16	127018X		"BOLT,SHOULDER"
17	121246X		BRKT SWITCH
18	123976X		SUB= 73900400
19	121248X		BUSHING
20	121250X		SPRING
21	134300		SPLIT SPACER



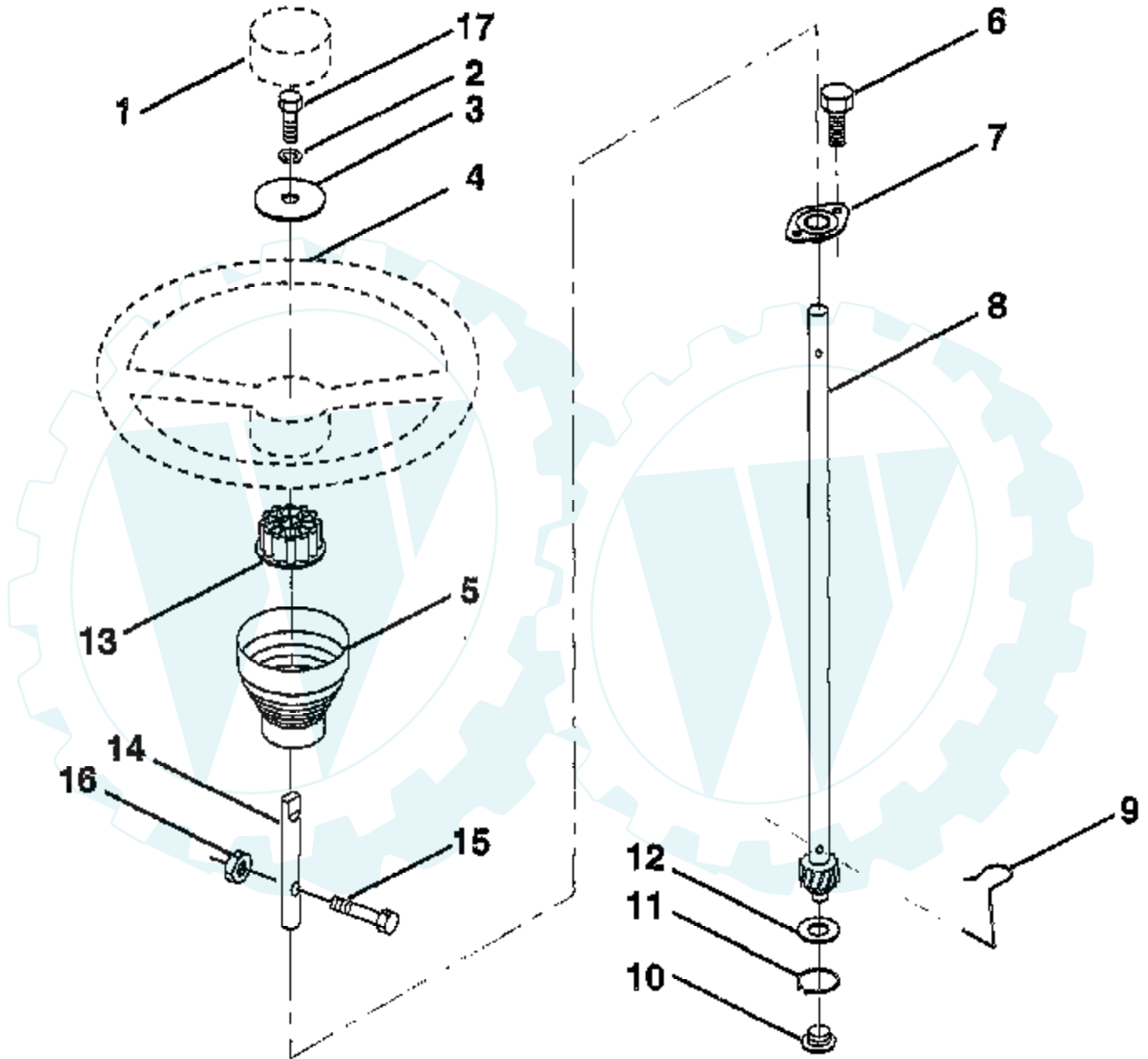
TRACTOR -- MODEL NUMBER 11HP92 (DE11B36B) SECTOR GEAR / AXLE SUPPORT



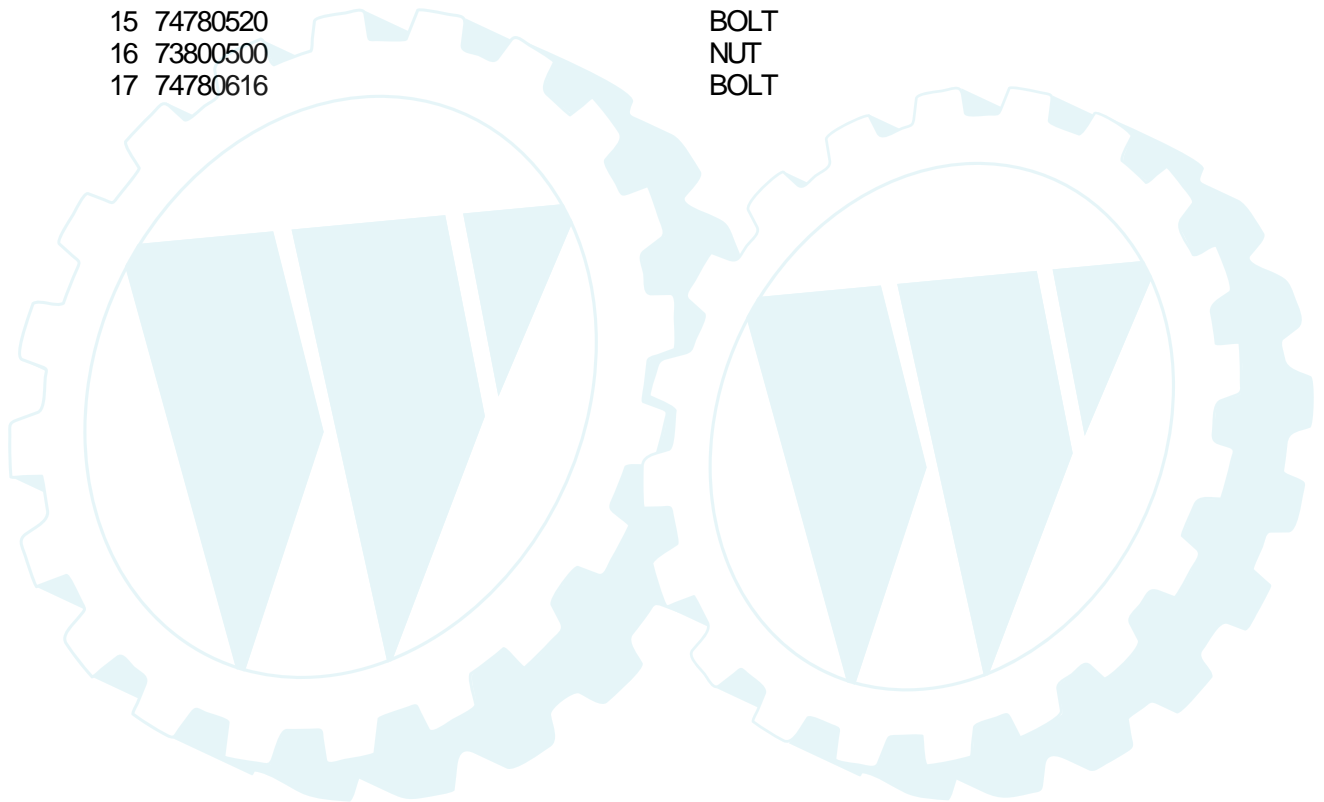
Ref #	Part Number	Qty	Description
1	132566		DRAG LINK
2	74780828		"BOLT,HEX"
3	73680500		SUB= 73690500
4	73680600		SUB= 73690600
5	121926X		GEAR SECTOR
6	121927X		BUSHING
7	73030800		NUT
8	126472X		CLIP INSULATOR
9	73680800		NUT LTV
10	76020412		COTTER PIN
11	19131316		WASHER
12	126847X		BUSHING.DRAGLINK
13	74760512		BOLT
14	19111416		WASHER
15	72110606		BOLT
16	137096		SUPT AXLE FRONT



TRACTOR - - MODEL NUMBER 11HP92 (DE11B36B) STEERING WHEEL

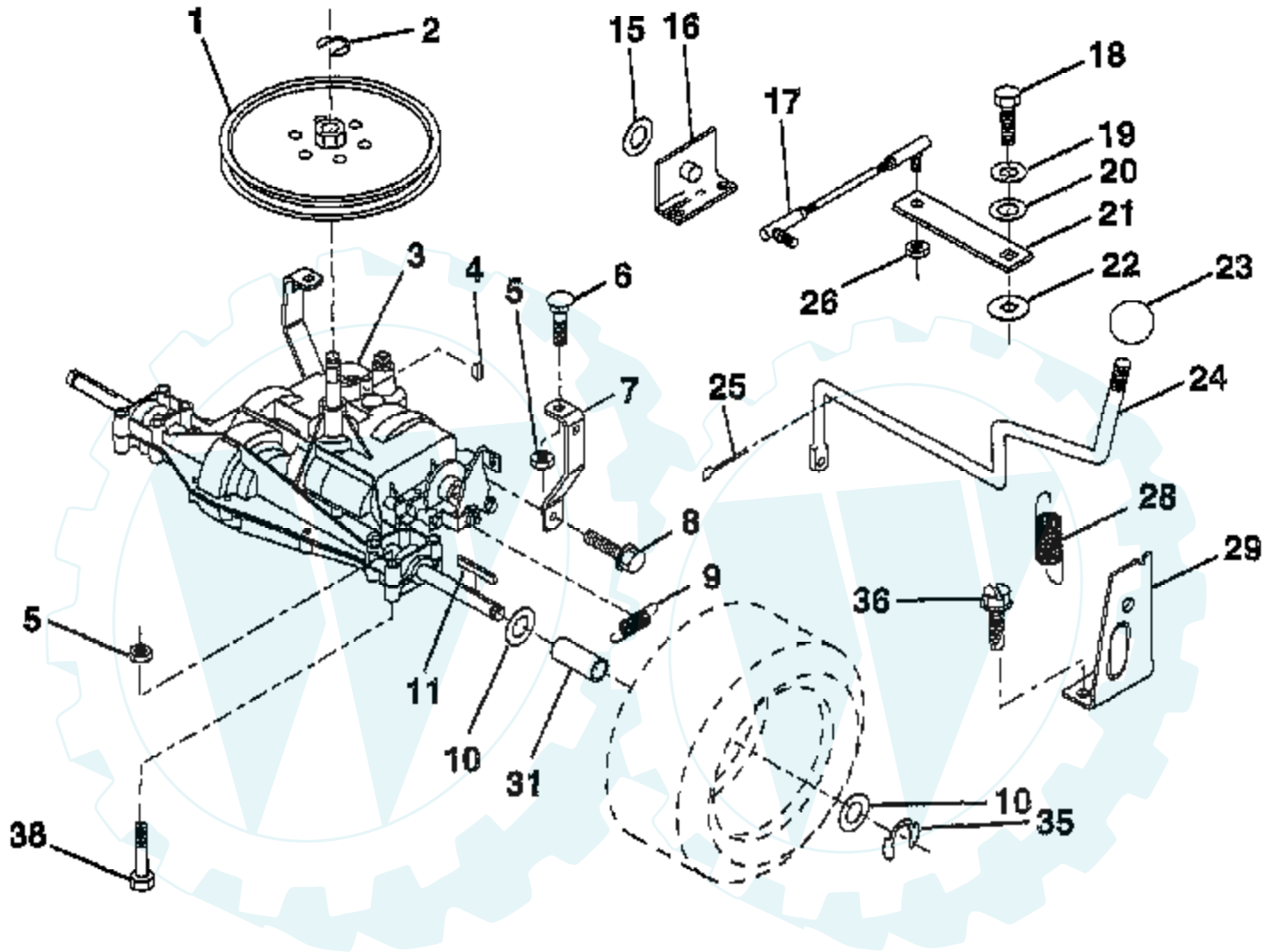


Ref #	Part Number	Qty	Description
1	140175		CAP WHEEL STEER
2	10040600		LOCKWASHER
3	19133808		WASHER T
4	139768		SUB= 150547
5	121897X		SLEEVE STEERING
6	152927		"SCREW-TT,10-32 FL"
7	155104		BUSHING.STR.623
8	147391		SHAFT.STEERING.LR
9	124210X		STEERING CLIP
10	123438X		BUSHING STEER LWR
11	12000045		RING
12	19211616		WASHER LT
13	100711L		ADAPTER LT
14	153720		EXT SHAFT STEERIN
15	74780520		BOLT
16	73800500		NUT
17	74780616		BOLT



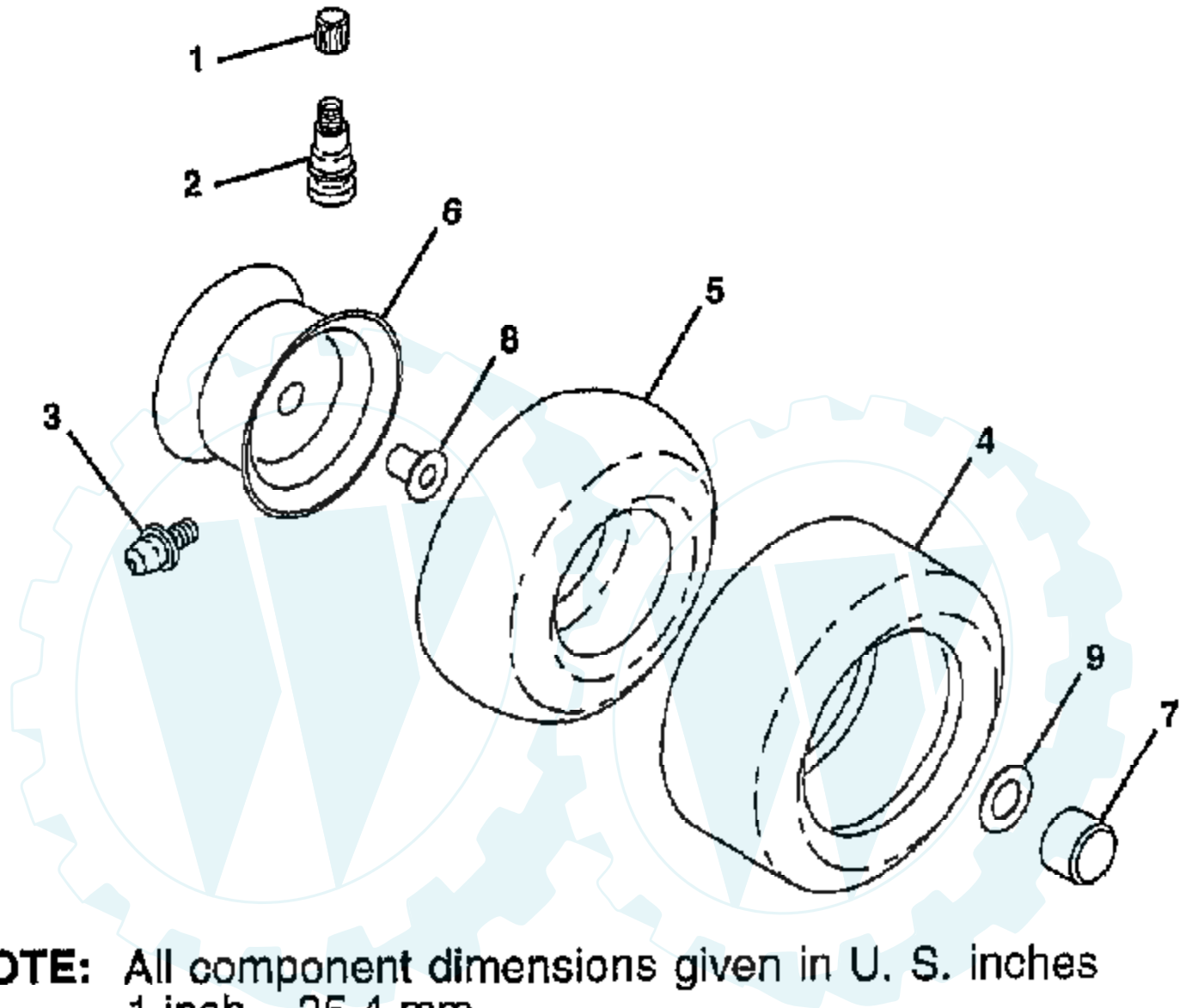
TRACTOR - - MODEL NUMBER 11HP92 (DE11B36B)

TRANSAXLE



Ref #	Part Number	Qty	Description
1	123385X		PULLEY
2	12000028		SUB= 2267J
3	SUPPLIER		CHECK WITH SUPPLIER
4	2228M		SUB= 2228M1
5	73680500		SUB= 73690500
6	72140506		BOLT
7	123378X		"STRAP,TORQUE"
8	17490512		SCREW
9	146682		SPRING.BRAKE.RETU
10	121749X		WASHER
11	123583X		SQUARE KEY
15	19171616		WASHER
16	124600		SUPPORT HANDLE SHIFT LH
17	126293X		LINK SHIFT
18	74550412		BOLT.1/4-28.W/PAT
19	10040400		LOCKWASHER
20	19091210		WASHER LT
21	126292X		ARM SHIFT
22	105701X		WASH-SHFT PLT LT
23	106933X		KNOB T (1/2-HOLE)
24	128215		"ROD,SHIFT"
25	76020416		PIN COTTER 1/8
26	73810500		NUT.LOCK.5/16-24
28	128085		"SPRING,EXT"
29	128084		"SUPT,HDLE RH"
31	137057		SPACER AXLE
35	12000001		E-RING LT
36	17720408		SCREW
38	74490540		BOLT.HEX.FLGHD

TIRES & WHEELS



NOTE: All component dimensions given in U. S. inches
1 inch = 25.4 mm

Ref #	Part Number	Qty	Description
1	59192		VALVE CAP
2	65139		VALVE STEM LT
3	278H		FITTING LT
4	124142X		SUB= 123410X
4	124143X		SUB= 122075X
5	PARTSIMAGE		REFER TO PARTS IMAGE
5	59904		TUBE.5.3/4.5/6
5	PARTSIMAGE		REFER TO PARTS IMAGE
5	8134H		TUBE.16X6.5/7.5-8
6	137237X417		"RIM.FRT.6"" .ASM"
6	140325X417		"RIM REAR 8""
7	104757X		HUB CAP
8	9040H		"FLANGE, BEARING"
9	121748X		WASHER
	144334		SEALANT.TIRE 10 OZ. TUBE

