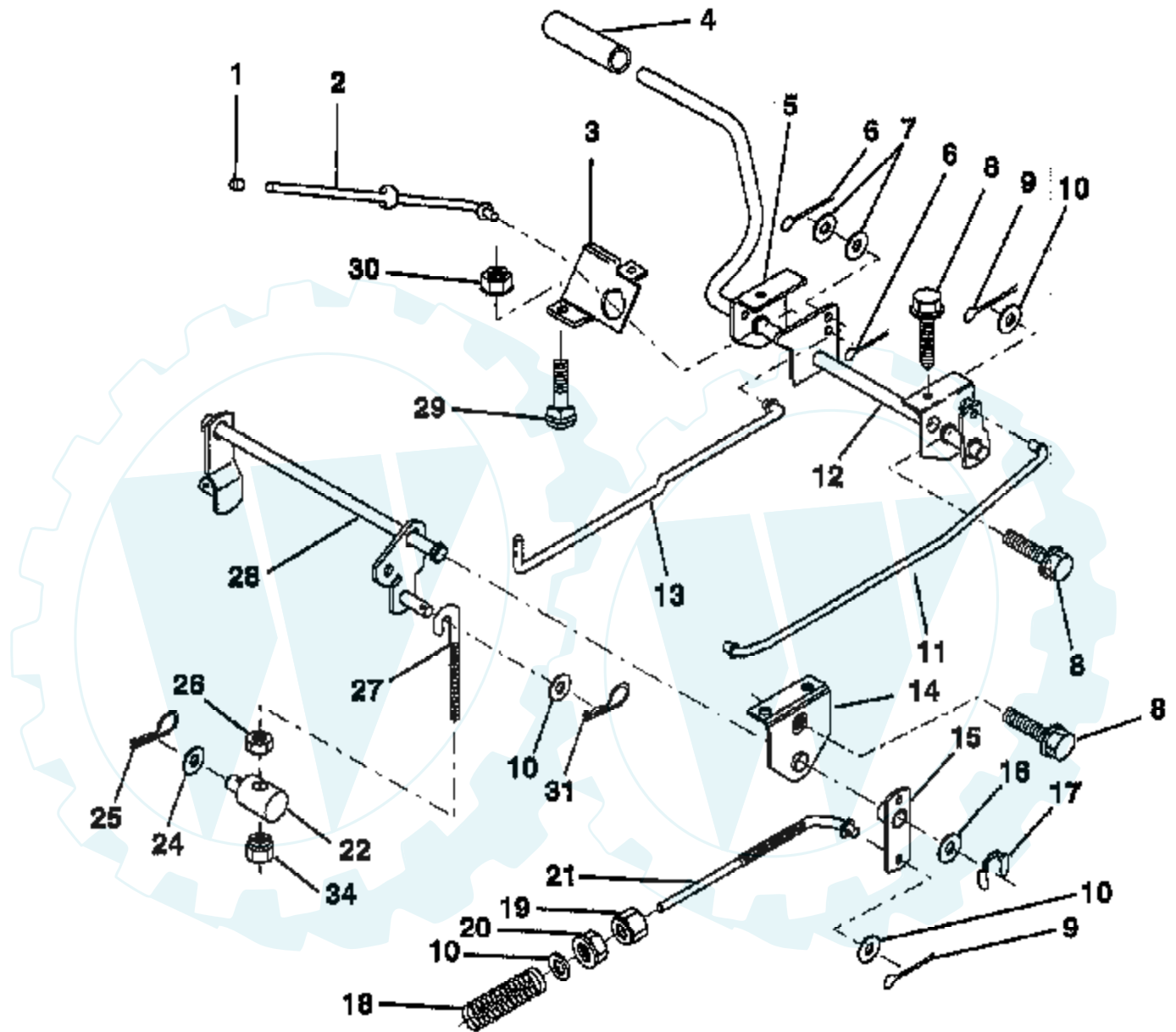


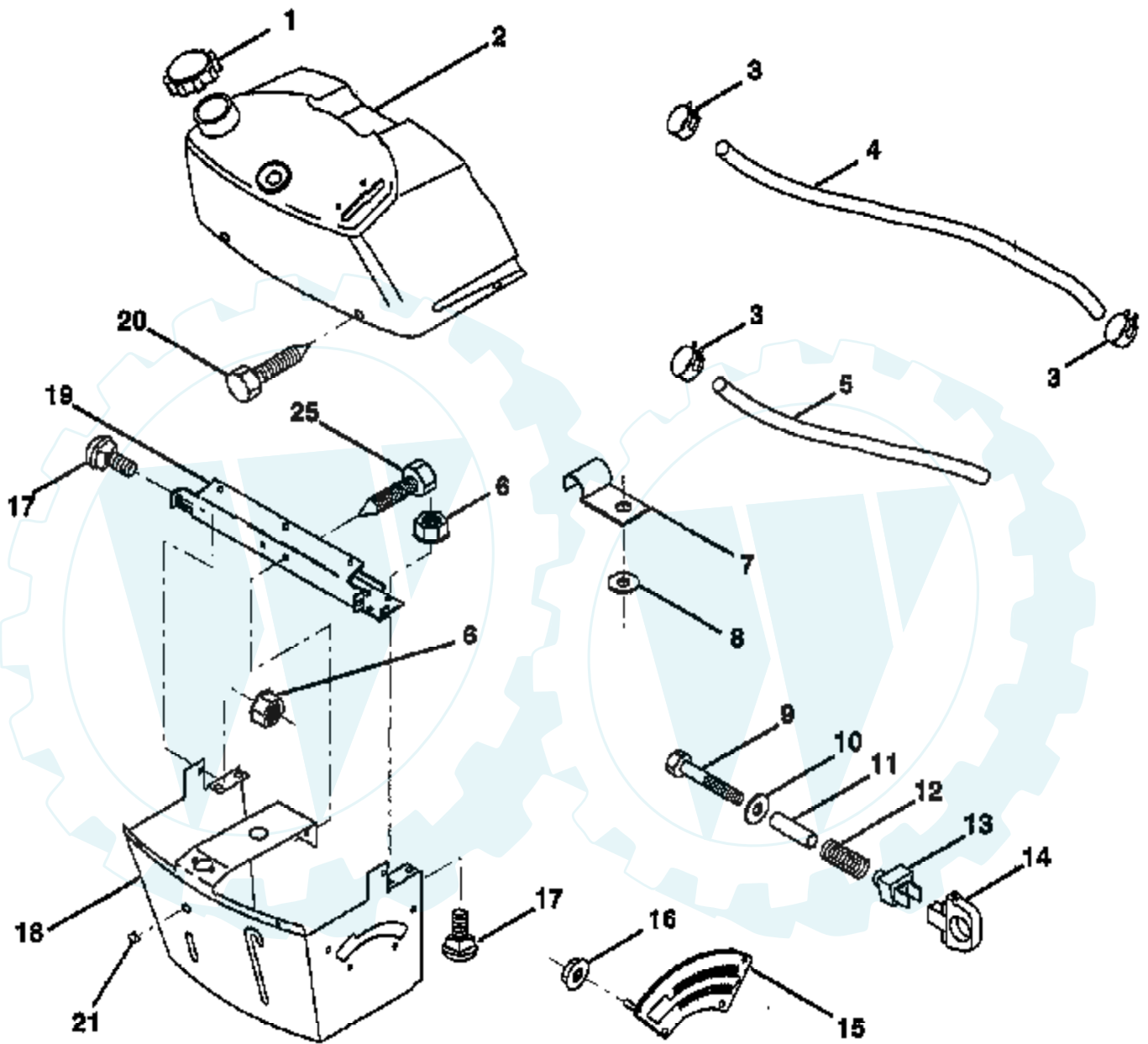
## TRACTOR - - MODEL NUMBER 11HP92 (DE1136B) BRAKE / REAR MOWER LIFE ASSEMBLY



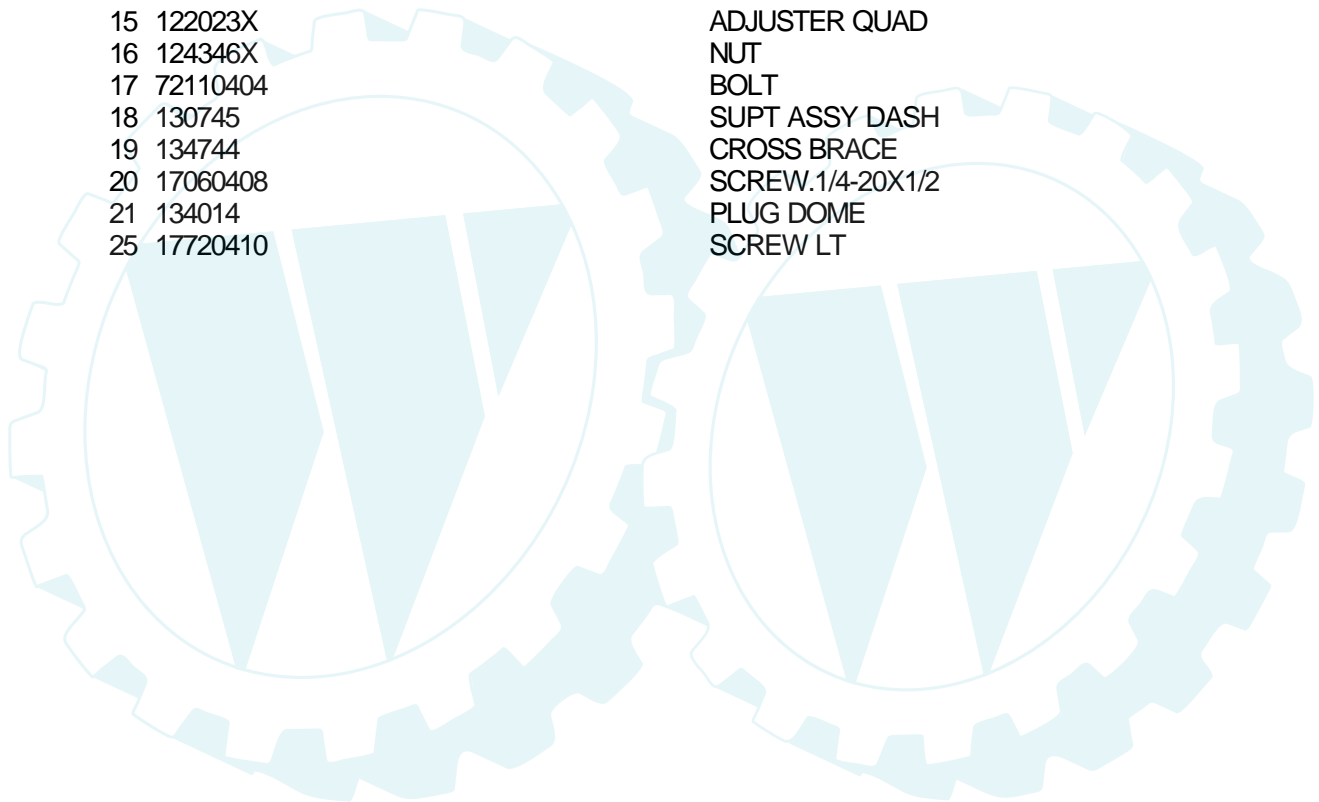
| Ref # | Part Number | Qty | Description         |
|-------|-------------|-----|---------------------|
| 1     | 71673       |     | PLUNGER CAP T       |
| 2     | 123436X     |     | "ROD,PARK BRAKE"    |
| 3     | 123437X     |     | "BRKT,PARK BRAKE"   |
| 4     | 8156H       |     | FOOT PEDAL COVER    |
| 5     | 122504X     |     | "BRKT,CLU PEDAL LH" |
| 6     | 76020312    |     | SUB= 3145           |
| 7     | 19131016    |     | WASHER              |
| 8     | 17490508    |     | SCREW LT            |
| 9     | 76020412    |     | COTTER PIN          |
| 10    | 19131316    |     | WASHER              |
| 11    | 123543X     |     | "ROD,FRT BRAKE"     |
| 12    | 139933      |     | PEDAL ASM CL/BK36   |
| 13    | 123394X     |     | "ROD,CLUTCH"        |
| 14    | 121978X     |     | "BRKT,LIFT SHAFT"   |
| 15    | 133332      |     | PVT BRAKE ARM ASM   |
| 16    | 19251816    |     | WASHER T            |
| 17    | 12000034    |     | KLIP RING           |
| 18    | 151332      |     | SPRING ROD BRAKE    |
| 19    | 73350600    |     | NUT                 |
| 20    | 73800600    |     | NUT                 |
| 21    | 131460      |     | SUB= 532131460      |
| 22    | 144585      |     | TRUNNION.LIFT.      |
| 24    | 19132012    |     | WASHER              |
| 25    | 4921H       |     | SPRING.RETAINER     |
| 26    | 73930600    |     | LOCKNUT             |
| 27    | 127369      |     | "LINK, MOWER REAR"  |
| 28    | 140776      |     | LIFT ASM MOW REAR   |
| 29    | 72110506    |     | SUB= 72270506       |
| 30    | 73510500    |     | NUT                 |
| 31    | 3146R       |     | RETAINER.SPRING     |
| 34    | 73680600    |     | SUB= 73690600       |

# TRACTOR -- MODEL NUMBER 11HP92 (DE1136B)

## DASH

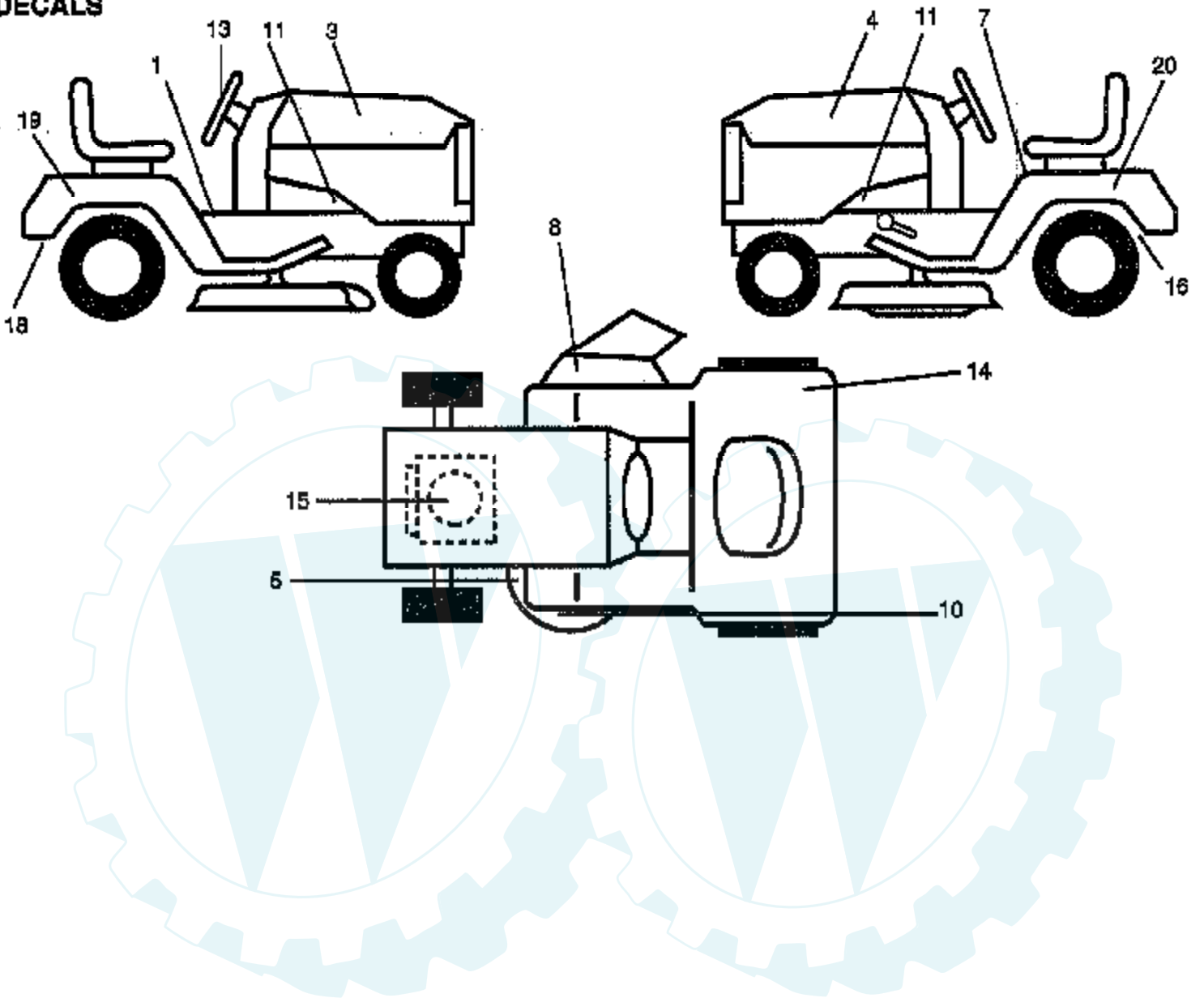


| Ref # | Part Number | Qty | Description         |
|-------|-------------|-----|---------------------|
| 1     | 141523      |     | CAP BLK FUEL LR     |
| 2     | 138393      |     | TANK.ASM.DASH.LR    |
| 3     | 123487X     |     | HOSE CLAMP          |
| 4     | 8544R       |     | SUB= 295J           |
| 5     | 8548R       |     | FUEL LINE T         |
| 6     | 73640400    |     | NUT HXKEP 1/4X20    |
| 7     | 2751R       |     | CLIP T              |
| 8     | 19091216    |     | WASHER PM           |
| 9     | 74760428    |     | BOLT                |
| 10    | 19091413    |     | WASHER              |
| 11    | 121249X     |     | SPACER SPLIT        |
| 12    | 3720R       |     | SPRING M            |
| 13    | 126450X     |     | "KNOB,HGT RETAINER" |
| 14    | 126115X     |     | KNOB                |
| 15    | 122023X     |     | ADJUSTER QUAD       |
| 16    | 124346X     |     | NUT                 |
| 17    | 72110404    |     | BOLT                |
| 18    | 130745      |     | SUPT ASSY DASH      |
| 19    | 134744      |     | CROSS BRACE         |
| 20    | 17060408    |     | SCREW.1/4-20X1/2    |
| 21    | 134014      |     | PLUG DOME           |
| 25    | 17720410    |     | SCREW LT            |

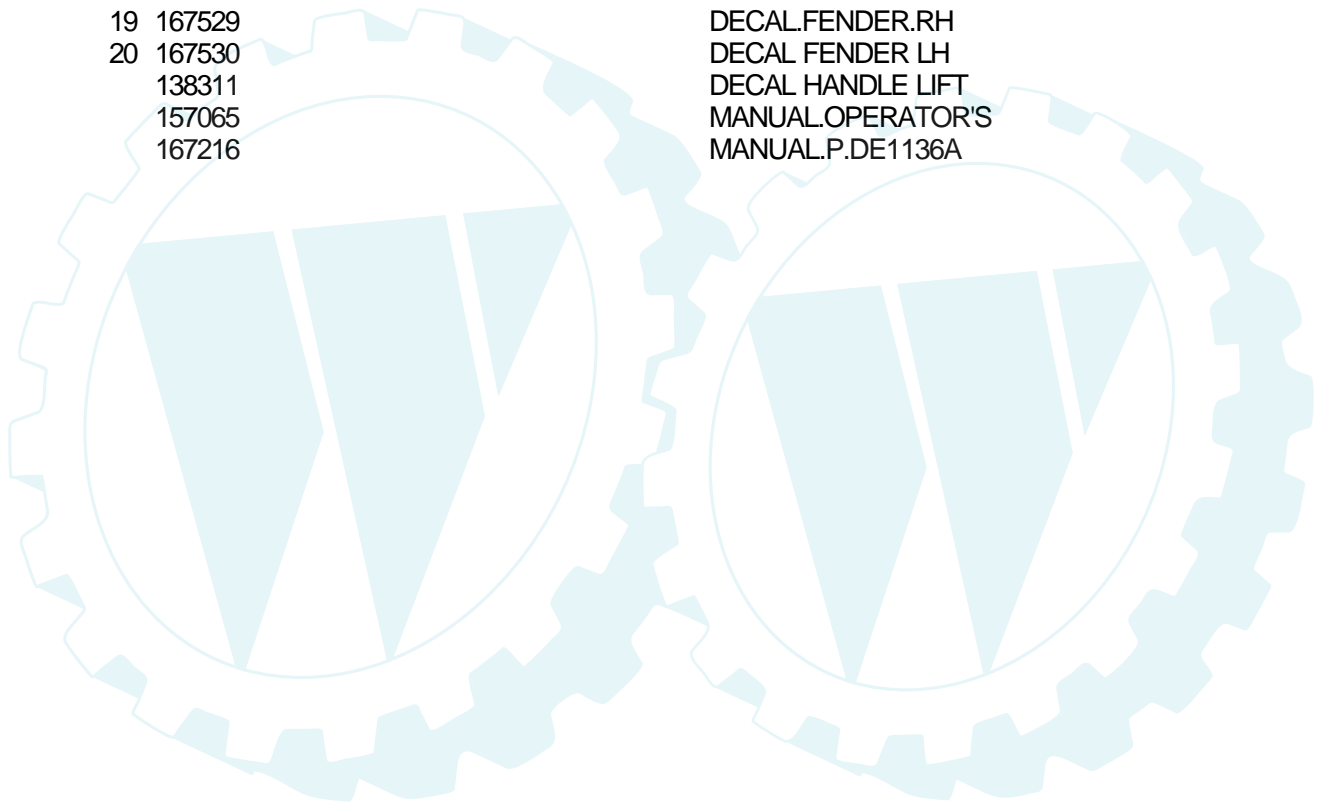


### TRACTOR -- MODEL NUMBER 11HP92 (DE1136B)

#### DECALS

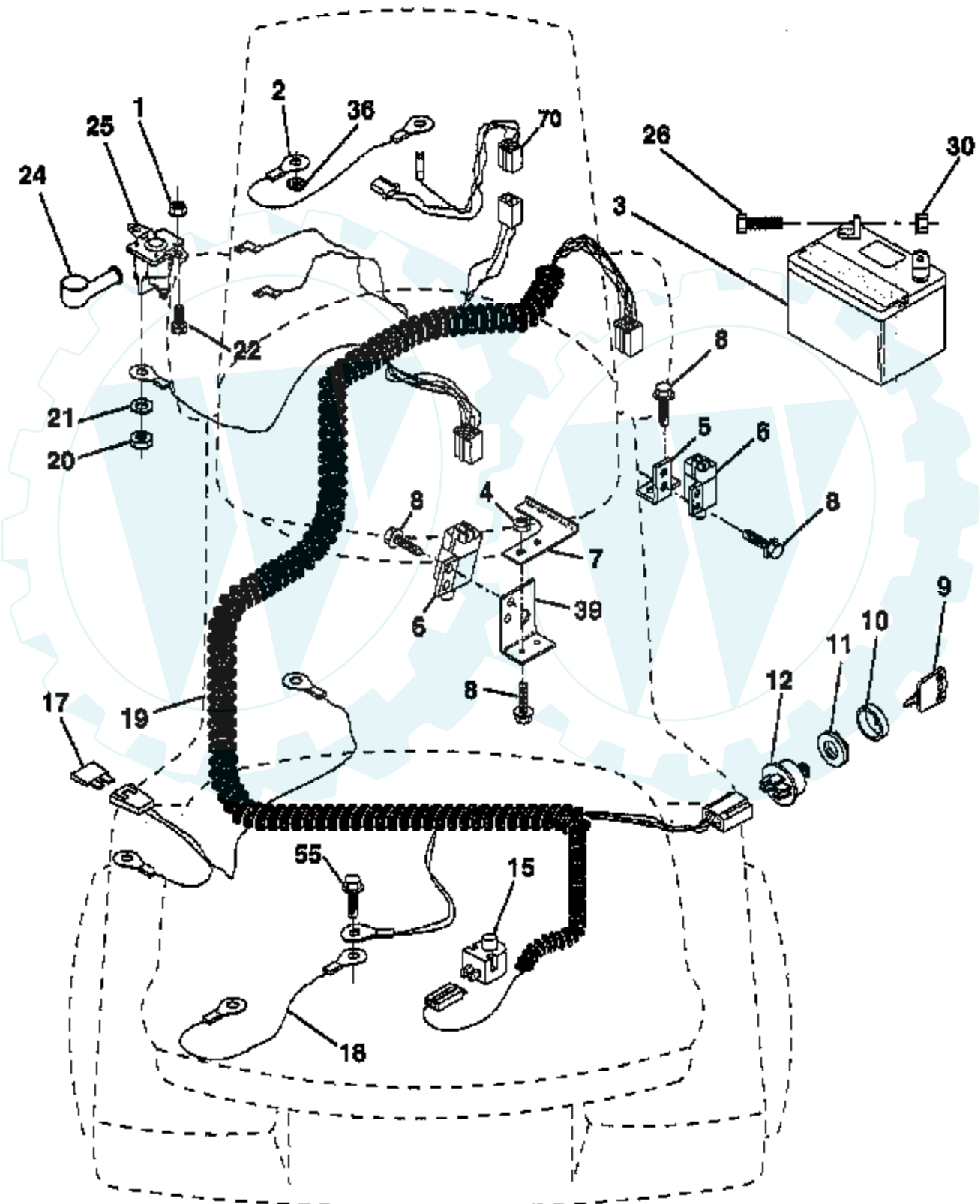


| Ref # | Part Number | Qty | Description         |
|-------|-------------|-----|---------------------|
| 1     | 159739      |     | DECAL CLUTCH/BRAK   |
| 3     | 167523      |     | DECAL.HOOD.RH       |
| 4     | 167524      |     | DECAL.HOOD.LH       |
| 5     | 136830      |     | DECAL.V.BELT        |
| 7     | 145498      |     | DECAL.READ.O.MANU   |
| 8     | 145494      |     | DECAL.DANGER.CUTF   |
| 10    | 167532      |     | DECAL.DECK.MOWER    |
| 11    | 159736      |     | "DECAL CHASSIS,HOT" |
| 12    | 145005      |     | DECAL.BATRY.3-3908  |
| 13    | 167531      |     | DECAL.INST.STEERING |
| 14    | 126187X     |     | SUB= 532126187      |
| 15    | 165331      |     | SUB= 272748         |
| 16    | 162598      |     | DECAL.DRAWBAR.LDL   |
| 18    | 145437      |     | DECAL.EURO.ST.CE.   |
| 19    | 167529      |     | DECAL.FENDER.RH     |
| 20    | 167530      |     | DECAL FENDER LH     |
|       | 138311      |     | DECAL HANDLE LIFT   |
|       | 157065      |     | MANUAL.OPERATOR'S   |
|       | 167216      |     | MANUAL.P.DE1136A    |



### TRACTOR - - MODEL NUMBER 11HP92 (DE1136B)

#### ELECTRICAL

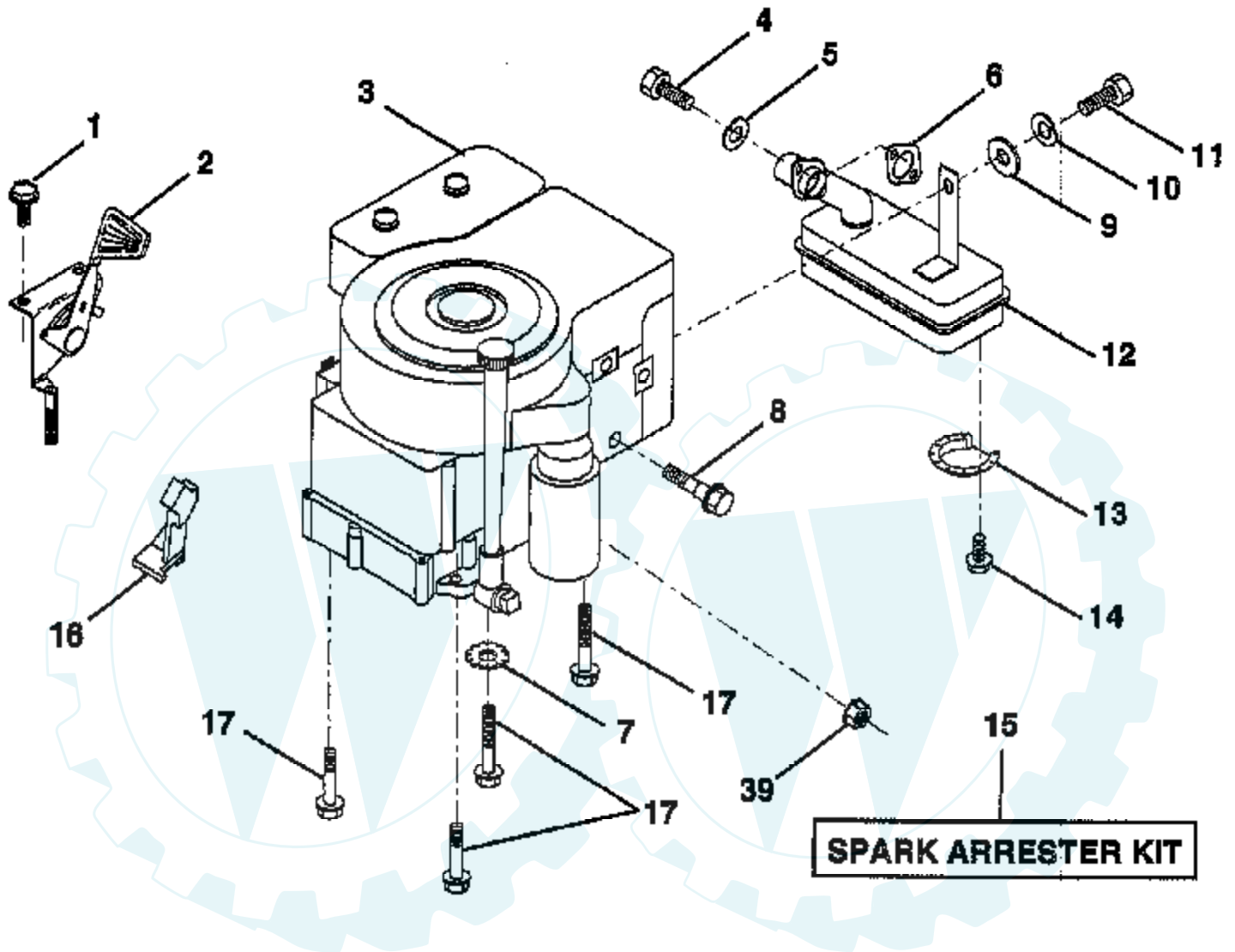


| Ref # | Part Number | Qty | Description       |
|-------|-------------|-----|-------------------|
| 1     | 73640400    |     | NUT HXKEP 1/4X20  |
| 2     | 108423X     |     | CABLE ASM.        |
| 3     | 144924      |     | SUB= 123899X      |
| 4     | 69180       |     | LOCKNUT           |
| 5     | 108236X     |     | BRACKET LT        |
| 6     | 109553X     |     | SWITCH INTERLOCKT |
| 7     | 146374      |     | KEEPER.ACTUAT.LR. |
| 8     | 17021008    |     | SCREW             |
| 9     | 140402      |     | KEY STEEL DELTA   |
| 10    | 141226      |     | COVER KEY SWITCH  |
| 11    | 140400      |     | SUB= 145774       |
| 12    | 163088      |     | SWITCH.IGNITION   |
| 15    | 121305X     |     | SWITCH SEAT       |
| 17    | 108824X     |     | FUSE HYT          |
| 18    | 128353      |     | CABLE ASSY        |
| 19    | 166143      |     | HARNESS.IGNITION  |
| 20    | 73350400    |     | NUT               |
| 21    | 10090400    |     | SUB= 10040400     |
| 22    | 71110408    |     | BOLT HXHD FIN     |
| 24    | 131563      |     | SUB= 154336       |
| 25    | 145673      |     | SUB= 146154       |
| 26    | 74760412    |     | BOLT LT           |
| 30    | 73510400    |     | NUT               |
| 36    | 11150400    |     | LOCKWASHER        |
| 39    | 141735      |     | BRACKET SWT CLUTC |
| 55    | 17490508    |     | SCREW LT          |
| 70    | 167223      |     | HARNESS, ENGINE   |

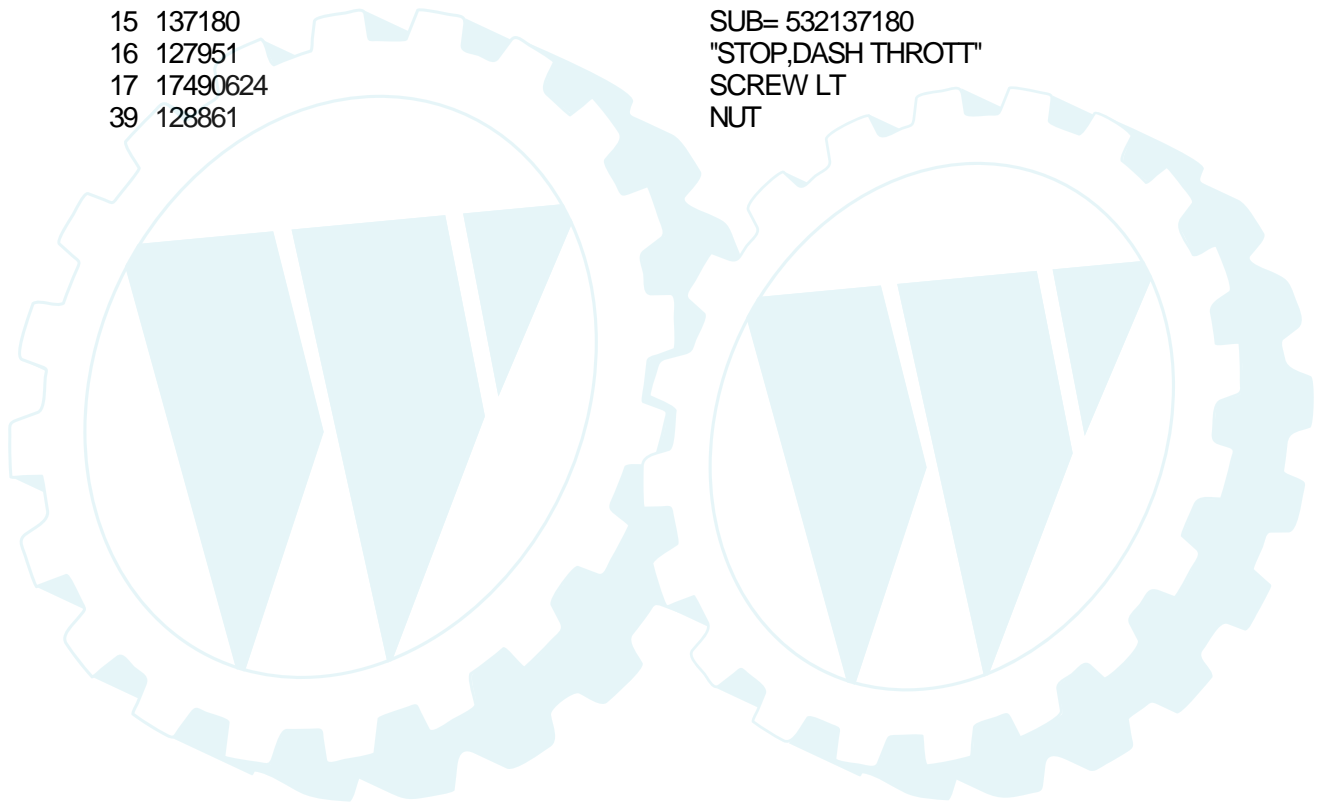


# TRACTOR - - MODEL NUMBER 11HP92 (DE1136B)

## ENGINE / THROTTLE

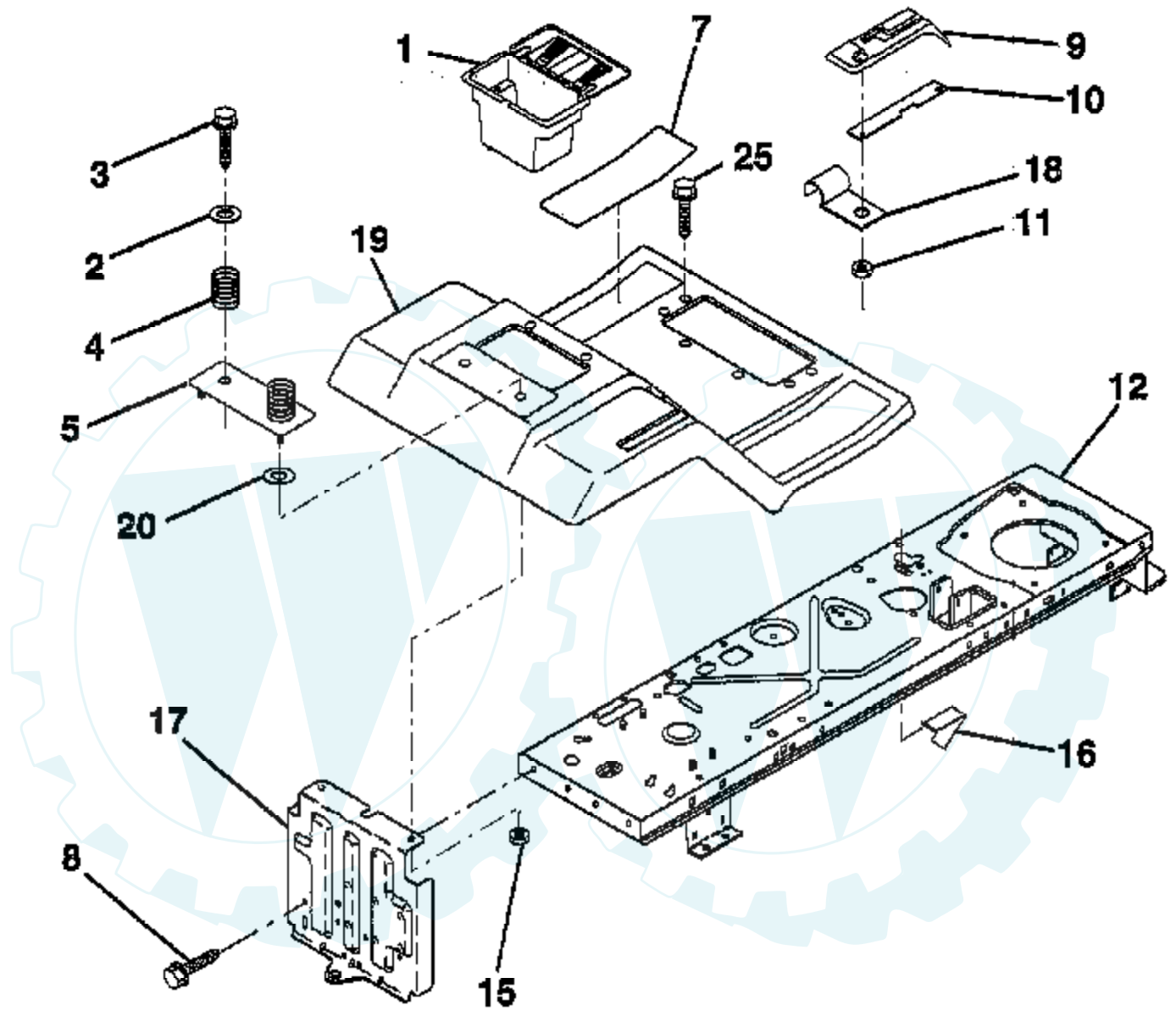


| Ref # | Part Number | Qty | Description         |
|-------|-------------|-----|---------------------|
| 1     | 17720410    |     | SCREW LT            |
| 2     | 133025      |     | SUB= 532133025      |
| 3     | SUPPLIER    |     | CHECK WITH SUPPLIER |
| 4     | 71070512    |     | SCREW               |
| 5     | 10040500    |     | LOCKWASHER          |
| 6     | 165291      |     | SUB= 272293         |
| 7     | 11050600    |     | LOCKWASHER          |
| 8     | 121094X     |     | BOLT T              |
| 9     | 19101216    |     | WASHER              |
| 10    | 10040400    |     | LOCKWASHER          |
| 11    | SUPPLIER    |     | CHECK WITH SUPPLIER |
| 12    | 137437      |     | MUFFLER             |
| 13    | 101326L     |     | DEFLECTOR.222573    |
| 14    | 17030808    |     | SUB= 17030814       |
| 15    | 137180      |     | SUB= 532137180      |
| 16    | 127951      |     | "STOP,DASH THROTT"  |
| 17    | 17490624    |     | SCREW LT            |
| 39    | 128861      |     | NUT                 |

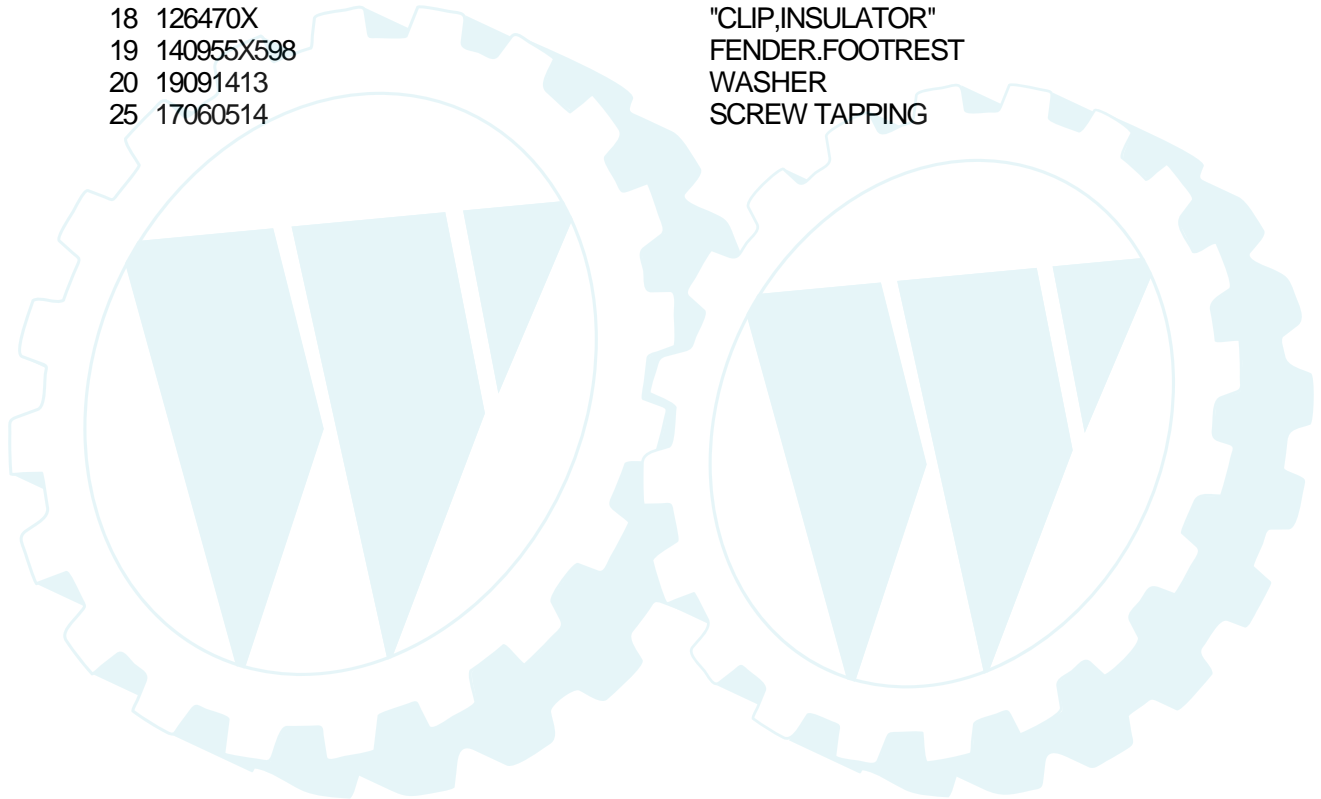


## TRACTOR - - MODEL NUMBER 11HP92 (DE1136B)

### FENDER / CHASSIS

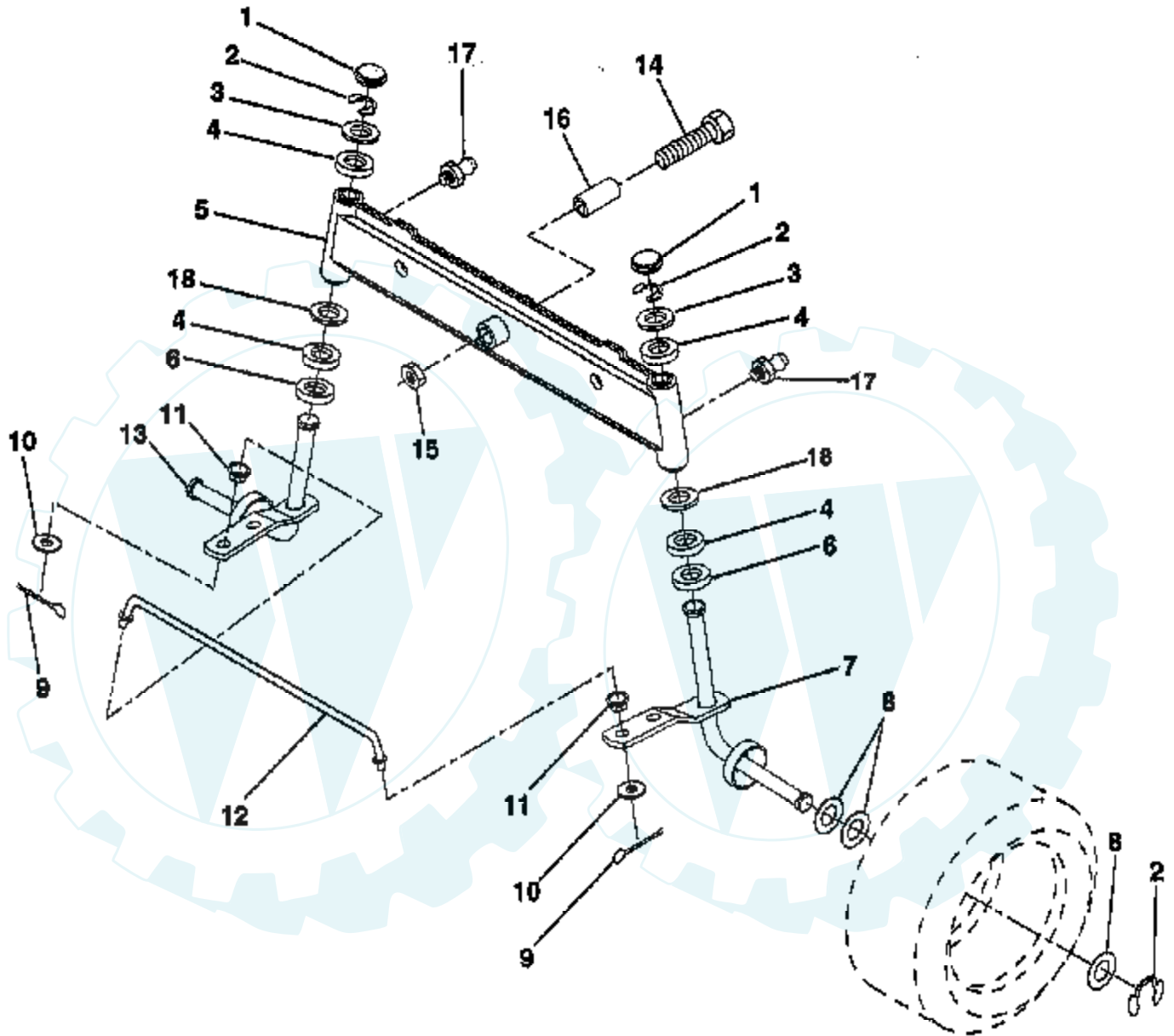


| Ref # | Part Number | Qty | Description         |
|-------|-------------|-----|---------------------|
| 1     | 156417      |     | "CASE,BATTERY.MECH" |
| 2     | 19132012    |     | WASHER              |
| 3     | 17490612    |     | SCREW               |
| 4     | 124181X     |     | SPRING COMPRESSIO   |
| 5     | 127115X598  |     | PLATE, BATTERY      |
| 7     | 124144X     |     | PAD FOOTREST        |
| 8     | 17490512    |     | SCREW               |
| 9     | 126996X428  |     | CONSOLE.SHT.4SP.    |
| 10    | 139783      |     | PLATE LOCK SHIFT    |
| 11    | 124346X     |     | NUT                 |
| 12    | 145190      |     | CHASSIS.WELD.ASM.   |
| 15    | 73640400    |     | NUT HXKEP 1/4X20    |
| 16    | 141736      |     | SUB= 146613         |
| 17    | 140782      |     | DRAWBAR ASM LR      |
| 18    | 126470X     |     | "CLIP,INSULATOR"    |
| 19    | 140955X598  |     | FENDER.FOOTREST     |
| 20    | 19091413    |     | WASHER              |
| 25    | 17060514    |     | SCREW TAPPING       |

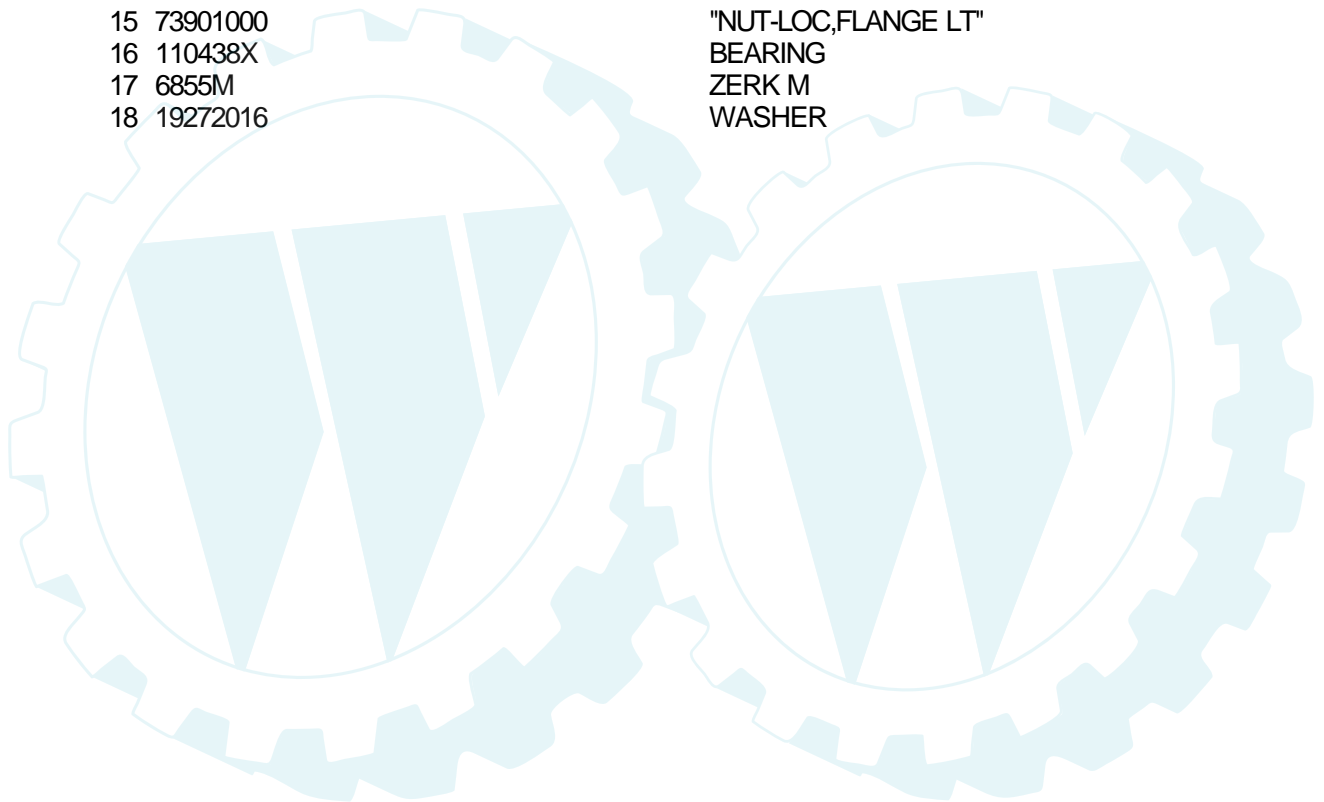


# TRACTOR - - MODEL NUMBER 11HP92 (DE1136B)

## FRONT AXLE

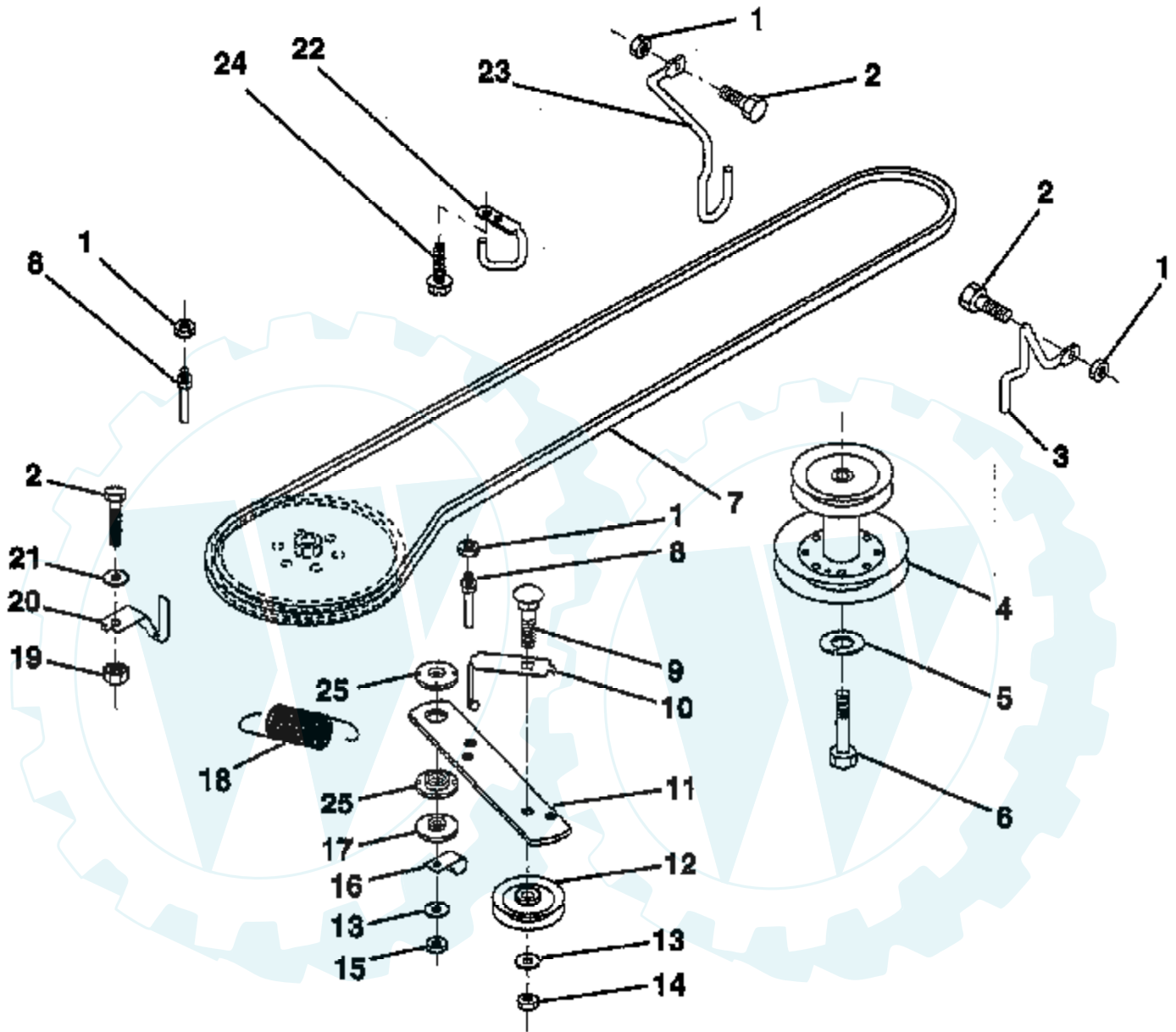


| Ref # | Part Number | Qty | Description         |
|-------|-------------|-----|---------------------|
| 1     | 121232X     |     | CAP                 |
| 2     | 12000029    |     | RING                |
| 3     | 121748X     |     | WASHER              |
| 4     | 3366R       |     | COL. SRTG. BEAR.    |
| 5     | 142033      |     | AXLE ASM FRONT      |
| 6     | 6266H       |     | WASHER .T           |
| 7     | 161826      |     | SPINDLE.ASSY.RH     |
| 8     | 121749X     |     | WASHER              |
| 9     | 76020412    |     | COTTER PIN          |
| 10    | 19131316    |     | WASHER              |
| 11    | 126847X     |     | BUSHING.DRAGLINK    |
| 12    | 130465      |     | TIE ROD             |
| 13    | 161827      |     | SPINDLE.ASSY.LH     |
| 14    | 74011056    |     | BOLT HEX 5/8-11     |
| 15    | 73901000    |     | "NUT-LOC,FLANGE LT" |
| 16    | 110438X     |     | BEARING             |
| 17    | 6855M       |     | ZERK M              |
| 18    | 19272016    |     | WASHER              |

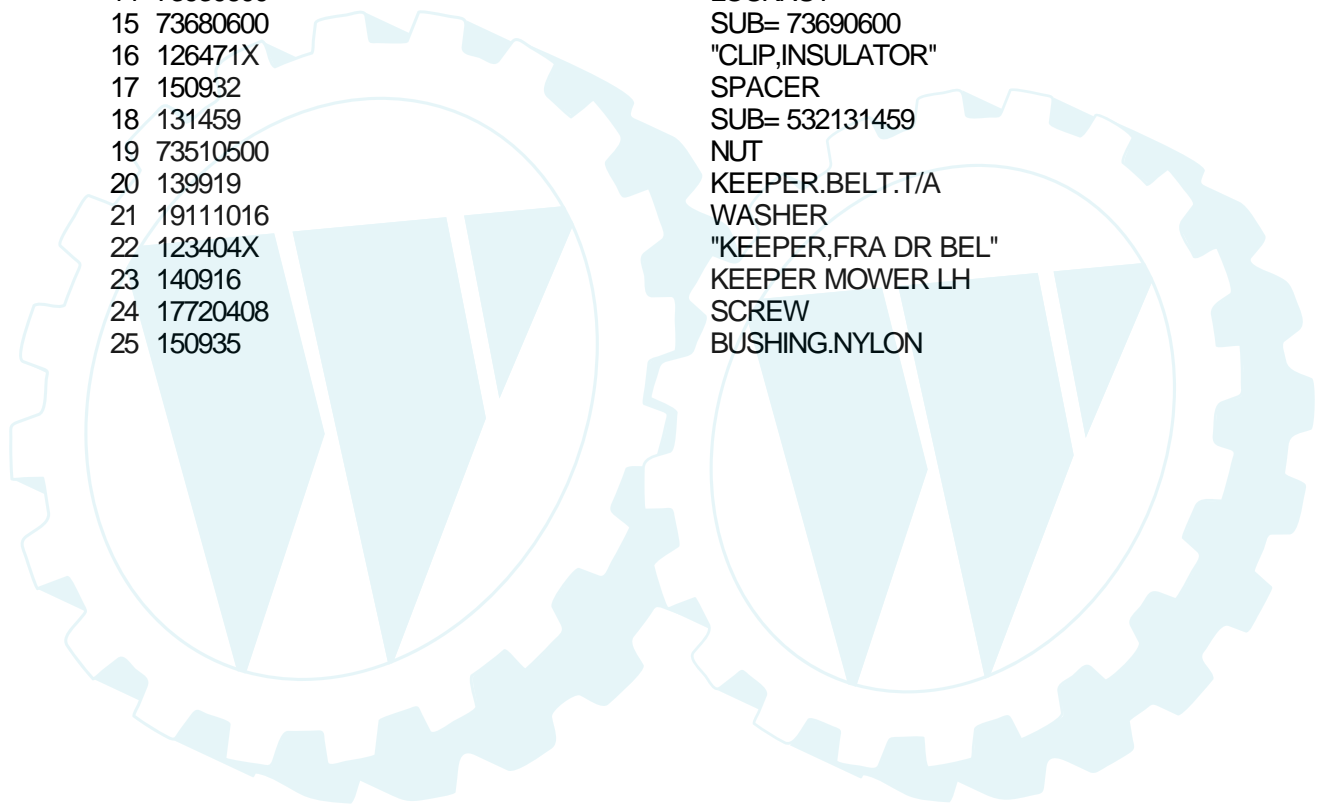


### TRACTOR -- MODEL NUMBER 11HP92 (DE1136B)

#### GROUND DRIVE



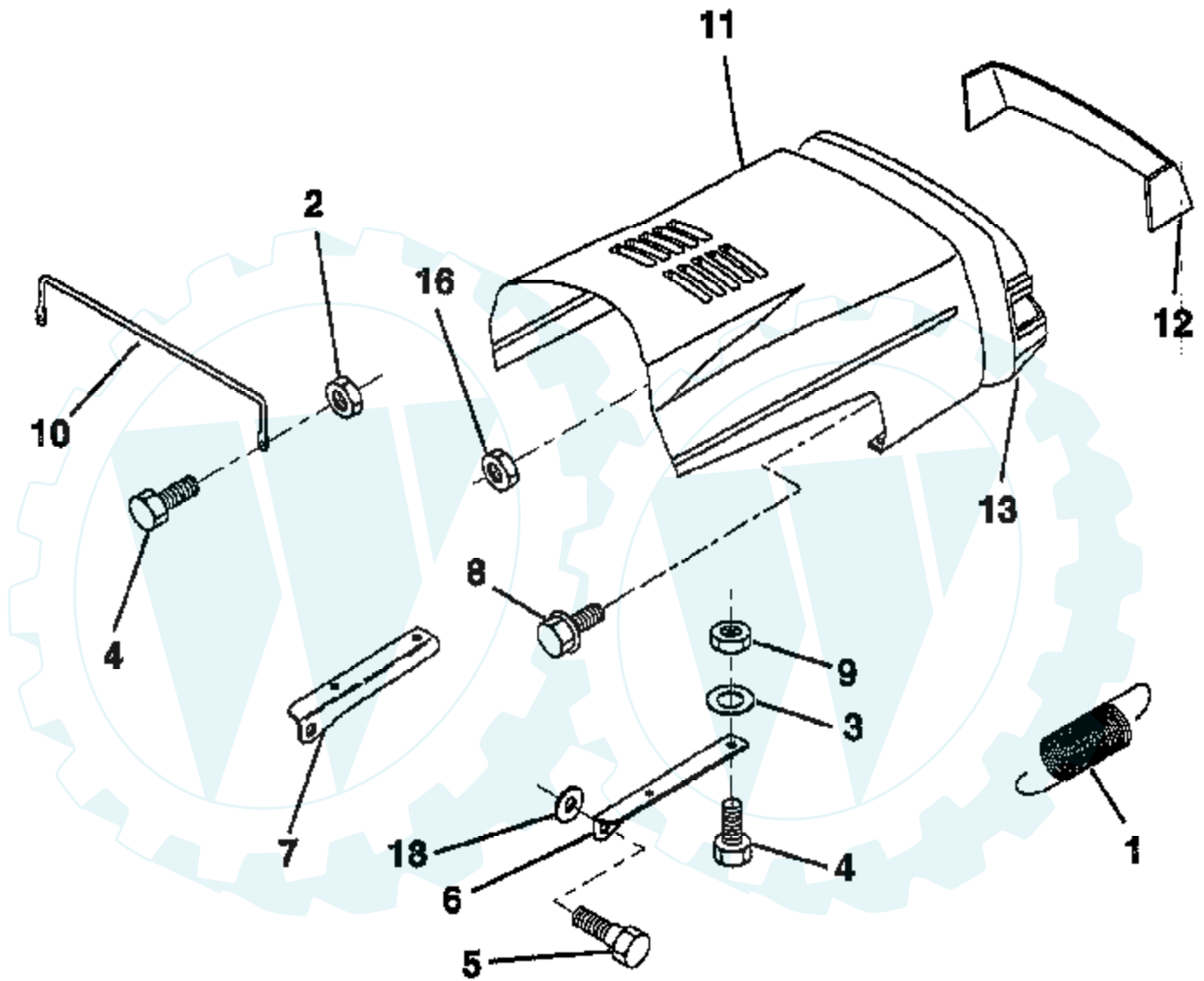
| Ref # | Part Number | Qty | Description         |
|-------|-------------|-----|---------------------|
| 1     | 73680500    |     | SUB= 73690500       |
| 2     | 74760512    |     | BOLT                |
| 3     | 141342      |     | KEEPER RH           |
| 4     | 138029      |     | PULLEY.ENGINE.LR    |
| 5     | 10040700    |     | LOCKWASHER          |
| 6     | 71170744    |     | HEX BOLT            |
| 7     | 126520X     |     | V BELT              |
| 8     | 123405X     |     | "KEEPER,DRIVE BELT" |
| 9     | 72140612    |     | BOLT                |
| 10    | 123396X     |     | "KEEP,IDLER DR BEL" |
| 11    | 150926      |     | ARM-IDLER.DR.GRND   |
| 12    | 123674X     |     | PULLEY.IDLER.FLAT   |
| 13    | 19131316    |     | WASHER              |
| 14    | 73930600    |     | LOCKNUT             |
| 15    | 73680600    |     | SUB= 73690600       |
| 16    | 126471X     |     | "CLIP,INSULATOR"    |
| 17    | 150932      |     | SPACER              |
| 18    | 131459      |     | SUB= 532131459      |
| 19    | 73510500    |     | NUT                 |
| 20    | 139919      |     | KEEPER.BELT.T/A     |
| 21    | 19111016    |     | WASHER              |
| 22    | 123404X     |     | "KEEPER,FRA DR BEL" |
| 23    | 140916      |     | KEEPER MOWER LH     |
| 24    | 17720408    |     | SCREW               |
| 25    | 150935      |     | BUSHING.NYLON       |



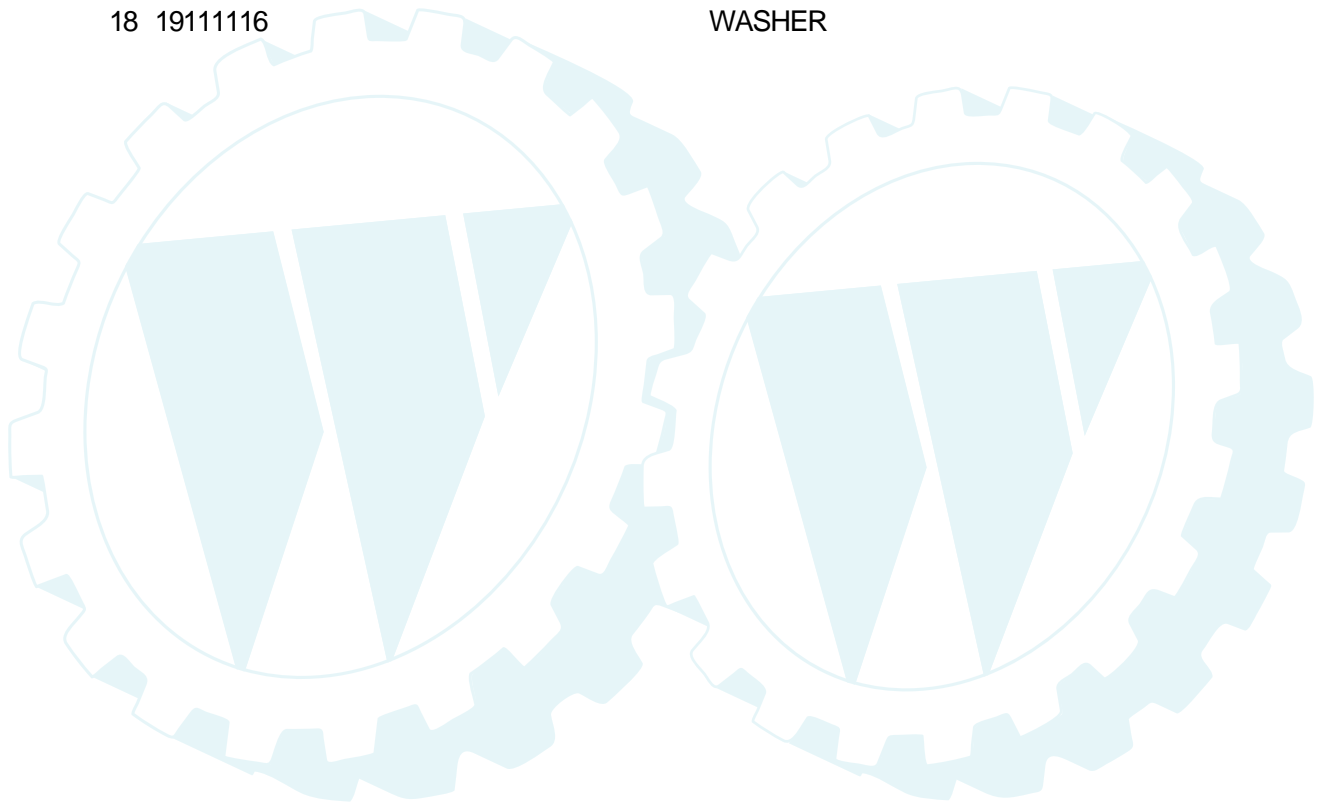


## TRACTOR -- MODEL NUMBER 11HP92 (DE1136B)

### HOOD

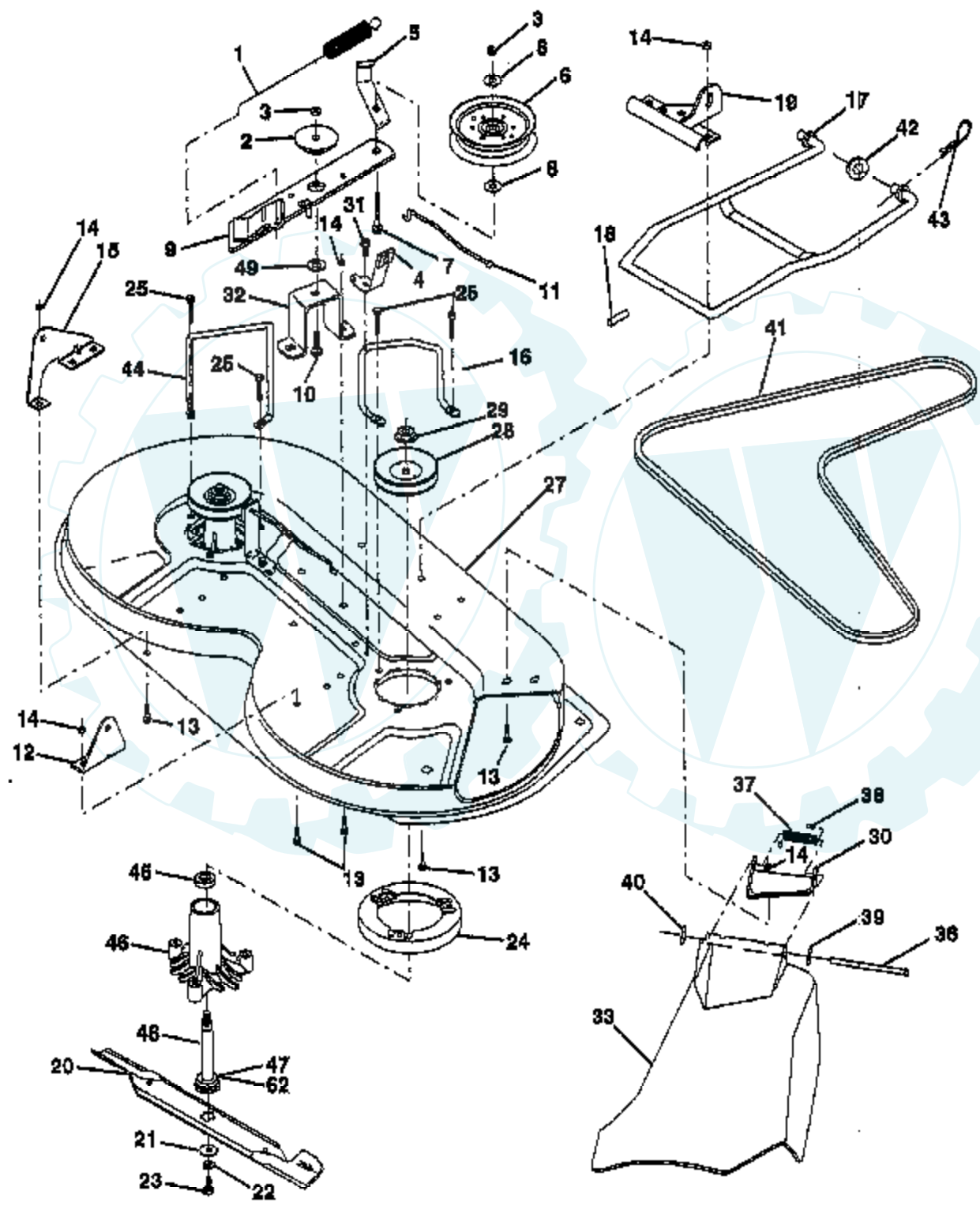


| Ref # | Part Number | Qty | Description                  |
|-------|-------------|-----|------------------------------|
| 1     | 124657X     |     | EXT SPRING                   |
| 2     | 73510400    |     | NUT                          |
| 3     | 19091416    |     | WASHER                       |
| 4     | 74780412    |     | SUB= 74780414                |
| 5     | 139888      |     | BOLT.SHLD.5/16-18            |
| 6     | 122549X     |     | BRKT HOOD RH                 |
| 7     | 122548X     |     | BRKT HOOD LH                 |
| 8     | 164863      |     | "SCREW,HWHD.HI-LO#13-16X3/4" |
| 9     | 73800400    |     | NUT                          |
| 10    | 123693X     |     | "BRACE,HOOD"                 |
| 11    | 132918X598  |     | HOOD.LR SAGE                 |
| 12    | 140126      |     | LENS.HEADLIGHT.BAR           |
| 13    | 140109      |     | GRILL                        |
| 16    | 124346X     |     | NUT                          |
| 18    | 19111116    |     | WASHER                       |



**TRACTOR - - MODEL NUMBER 11HP92 (DE1136B)**

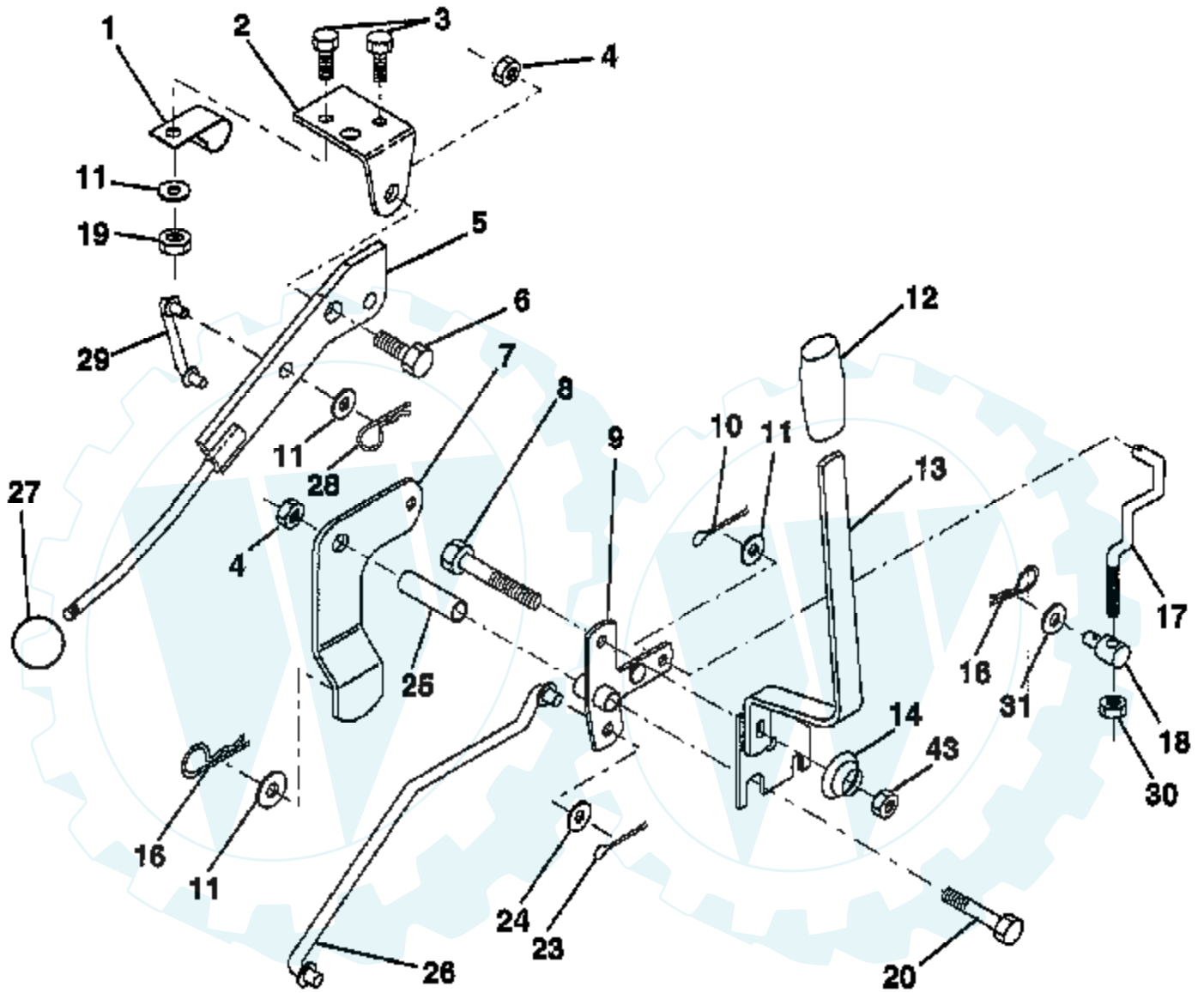
**MOWER DECK**



| Ref # | Part Number | Qty | Description         |
|-------|-------------|-----|---------------------|
| 1     | 140064      |     | SPRING CLUTCH MWR   |
| 2     | 122052X     |     | SPACER RETAINER     |
| 3     | 73680600    |     | SUB= 73690600       |
| 4     | 130840      |     | BRAKE ASM           |
| 5     | 131251      |     | IDLER BELT GUIDE    |
| 6     | 121316X     |     | PULLEY IDLER        |
| 7     | 72110616    |     | BOLT                |
| 8     | 19131410    |     | WASHER              |
| 9     | 127744      |     | SUB= 140092         |
| 10    | 72140610    |     | BOLT.3/8-14X1.25    |
| 11    | 130841      |     | BRAKE ROD           |
| 12    | 127356      |     | "BRKT,LIFT REAR"    |
| 13    | 72140506    |     | BOLT                |
| 14    | 73680500    |     | SUB= 73690500       |
| 15    | 127357      |     | "BRKT,LIFT REAR LH" |
| 16    | 153298      |     | "KEEPER-BELT,RH"    |
| 17    | 128508      |     | MOWER LINK STAB     |
| 18    | 128511      |     | "PIN,GROOVE"        |
| 19    | 127380      |     | "BRKT,LINK STABLI"  |
| 20    | 138496      |     | "BLADE.36"" HIPERF" |
| 21    | 140296      |     | WASHER.HARD.BLADE   |
| 22    | 10030600    |     | SUB= 10040600       |
| 23    | 850857      |     | BLADE BOLT          |
| 24    | 140329      |     | STRIPPER RND MWR    |
| 25    | 157722      |     | "SCREW-THD ROLL,WA" |
| 27    | 156600      |     | "HOUSING-MOWER,36"" |
| 28    | 153531      |     | PULLEY.MAND.36/46   |
| 29    | 137266      |     | SUB= 139729         |
| 30    | 136631      |     | SUB= 532136631      |
| 31    | 17490508    |     | SCREW LT            |
| 32    | 122051X     |     | "SUPT,IDLER ARM"    |
| 33    | 131560      |     | SUB= 532131560      |
| 36    | 121980X     |     | HINGE ROD           |
| 37    | 123713X     |     | SPRING TORSION      |
| 38    | 105304X     |     | CAP-SLEEVE LT       |
| 39    | 19111016    |     | WASHER              |
| 40    | 110452X     |     | NUT PUSH M          |
| 41    | 131264      |     | V-BELT.PRIM.78.5.   |
| 42    | 19171616    |     | WASHER              |
| 43    | 3146R       |     | RETAINER.SPRING     |
| 44    | 140608      |     | KEEPER BELT LH      |
| 45    | 110485X     |     | BEARING             |
| 46    | 128774      |     | HSG ASM MANDREL     |
| 47    | 129895      |     | BEARING.BALL        |
| 48    | 137645      |     | SUB= 137646         |
| 49    | 133943      |     | HARDENED WASHER     |
| 62    | 153390      |     | WASHER.FELT.        |
|       | 130794      |     | MANDREL ASM         |
|       | 156868      |     | "DECAL INST,SADDLE" |

# TRACTOR -- MODEL NUMBER 11HP92 (DE1136B)

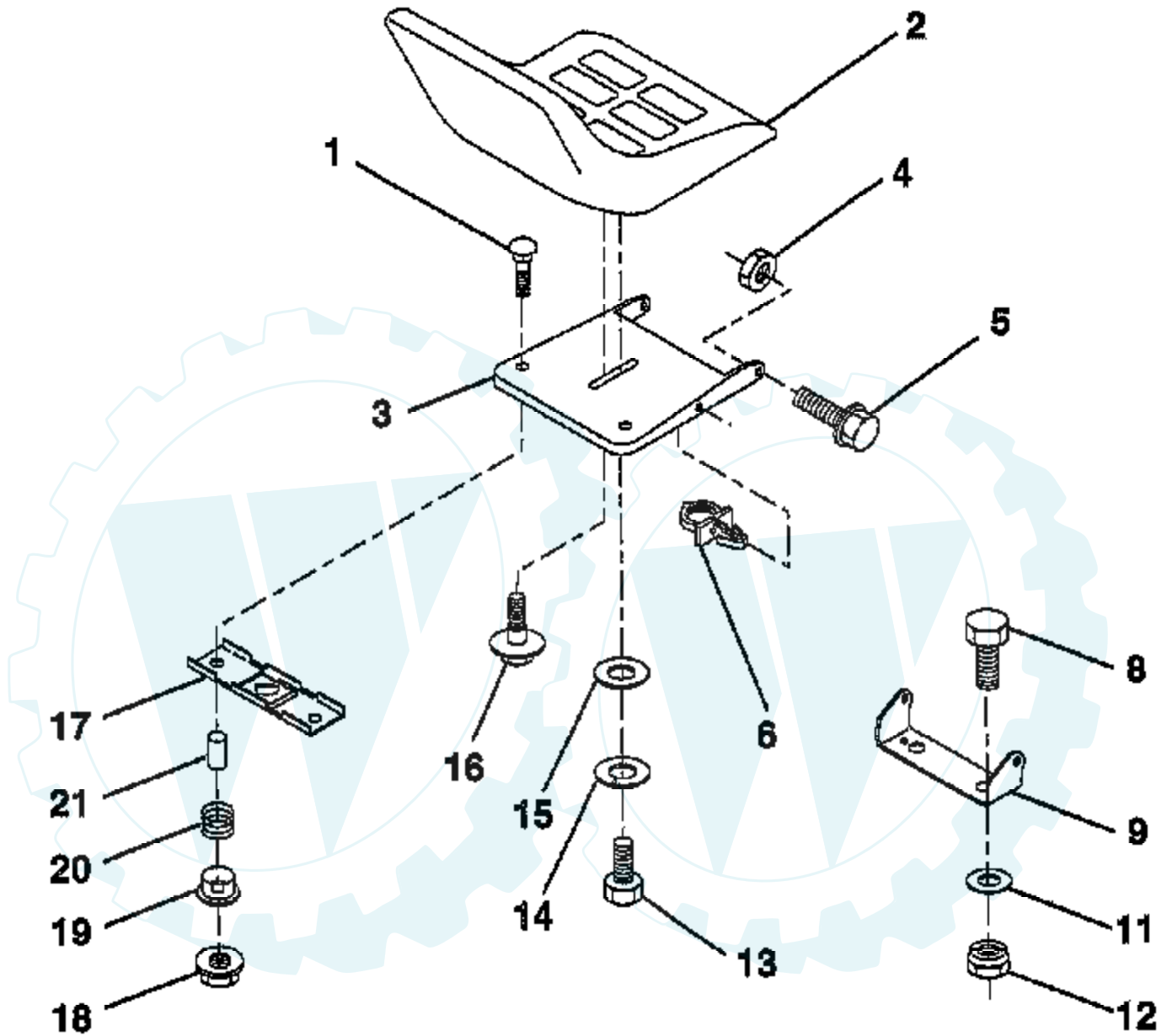
## MOWER LIFT LEVER



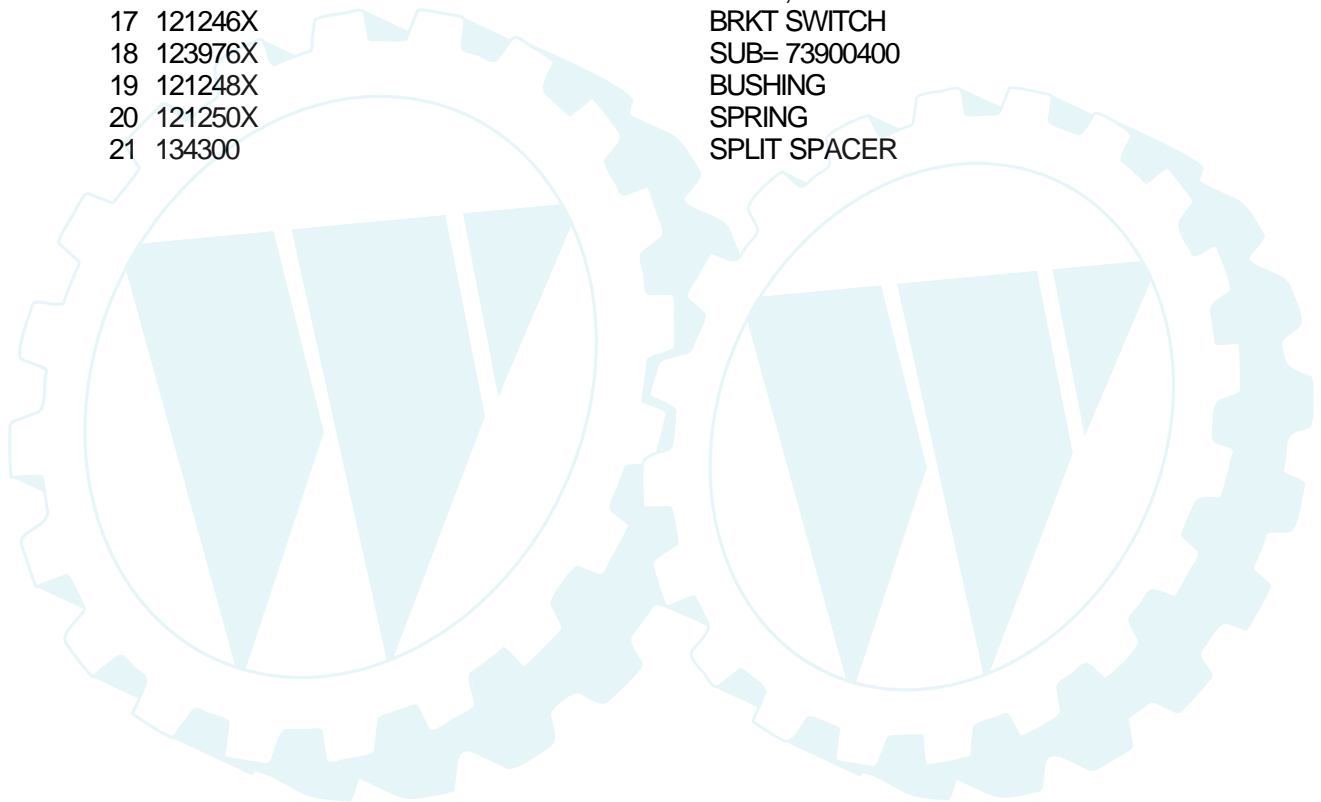
| Ref # | Part Number | Qty | Description         |
|-------|-------------|-----|---------------------|
| 1     | 126470X     |     | "CLIP,INSULATOR"    |
| 2     | 122018X     |     | BRKT CLUTCH         |
| 3     | 71110408    |     | BOLT HXHD FIN       |
| 4     | 73680600    |     | SUB= 73690600       |
| 5     | 145187      |     | LEVER.ASM.CLUTCH    |
| 6     | 106451X     |     | "BOLT, SHOULDER LT" |
| 7     | 135371      |     | MWR CLUTCH ARM AS   |
| 8     | 74760636    |     | BOLT                |
| 9     | 121930X     |     | "BELLCRANK,LIFT"    |
| 10    | 76020412    |     | COTTER PIN          |
| 11    | 19131316    |     | WASHER              |
| 12    | 131861      |     | SUB= 532131861      |
| 13    | 139352      |     | HANDLE.ASM.LIFT     |
| 14    | 123496X     |     | SPRING COMPRESSIO   |
| 16    | 4921H       |     | SPRING.RETAINER     |
| 17    | 127359      |     | "LINK,LIFT FRT"     |
| 18    | 142028      |     | TRUNION ADJ         |
| 19    | 73680400    |     | SUB= 73690400       |
| 20    | 74760644    |     | BOLT                |
| 23    | 76020416    |     | PIN COTTER 1/8      |
| 24    | 19171612    |     | WASHER GT           |
| 25    | 121933X     |     | TUBE SPACER         |
| 26    | 141470      |     | ROD LIFT MOWER      |
| 27    | 106932X     |     | KNOB T(3/8 HOLE)    |
| 28    | 4497H       |     | RETAINER M          |
| 29    | 131655      |     | CLUTCH LINK         |
| 30    | 73350600    |     | NUT                 |
| 31    | 19132012    |     | WASHER              |
| 43    | 73900600    |     | SUB= 83923          |

### TRACTOR - - MODEL NUMBER 11HP92 (DE1136B)

#### SEAT

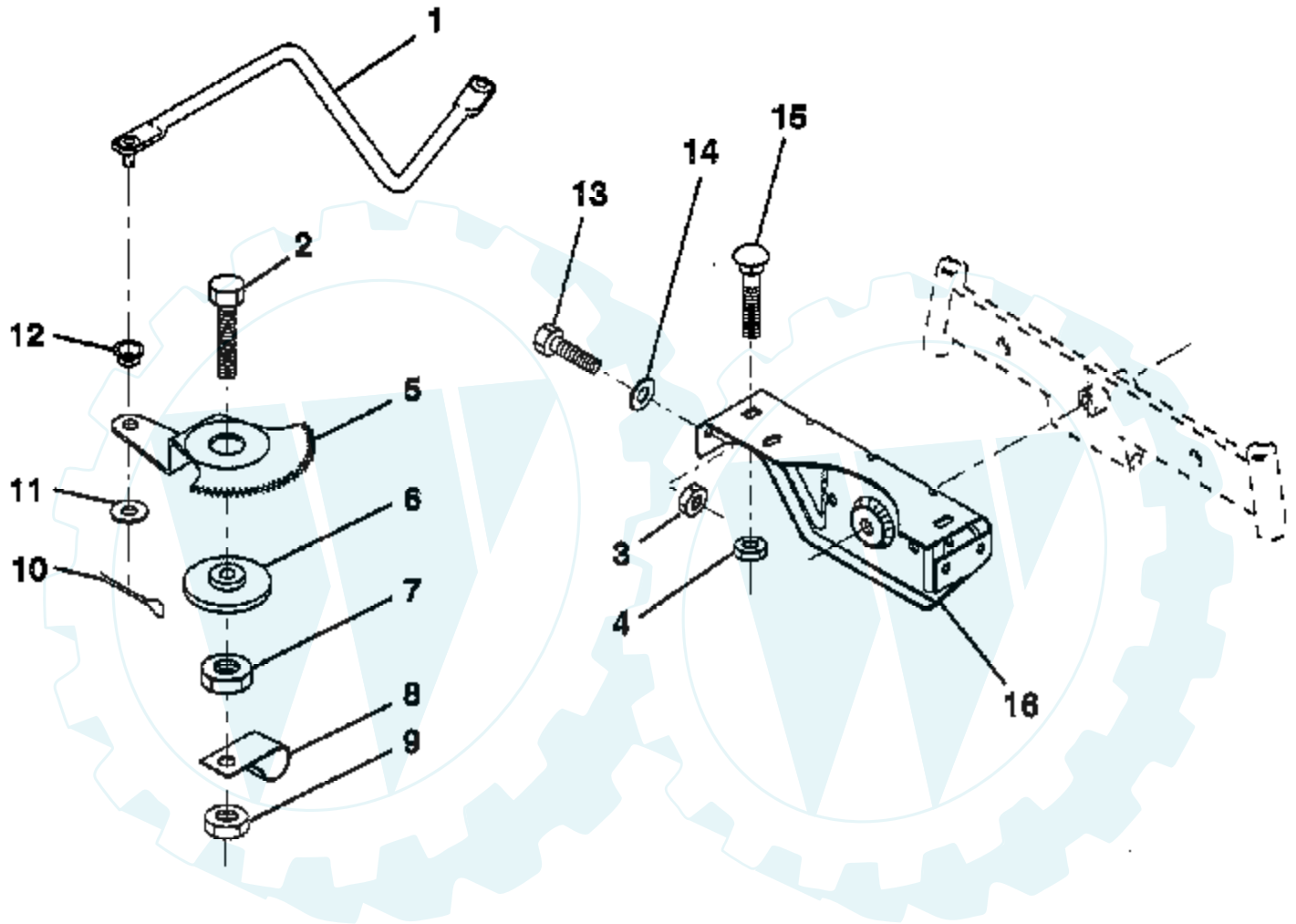


| Ref # | Part Number | Qty | Description       |
|-------|-------------|-----|-------------------|
| 1     | 72050412    |     | BOLT-RD HD SQ NK  |
| 2     | 127426X     |     | SUB= 140119       |
| 3     | 155925      |     | PAN-SEAT          |
| 4     | 73800500    |     | NUT               |
| 5     | 153236      |     | "BOLT,SHOULDER"   |
| 6     | 145006      |     | CLIP.PUSH-IN.HING |
| 8     | 74760616    |     | BOLT              |
| 9     | 140551      |     | BRACKET PVT SEAT  |
| 11    | 19133210    |     | WASHER            |
| 12    | 73800600    |     | NUT               |
| 13    | 74780814    |     | BOLT              |
| 14    | 10040800    |     | LOCKWASHER        |
| 15    | 19171912    |     | WASHER            |
| 16    | 127018X     |     | "BOLT,SHOULDER"   |
| 17    | 121246X     |     | BRKT SWITCH       |
| 18    | 123976X     |     | SUB= 73900400     |
| 19    | 121248X     |     | BUSHING           |
| 20    | 121250X     |     | SPRING            |
| 21    | 134300      |     | SPLIT SPACER      |

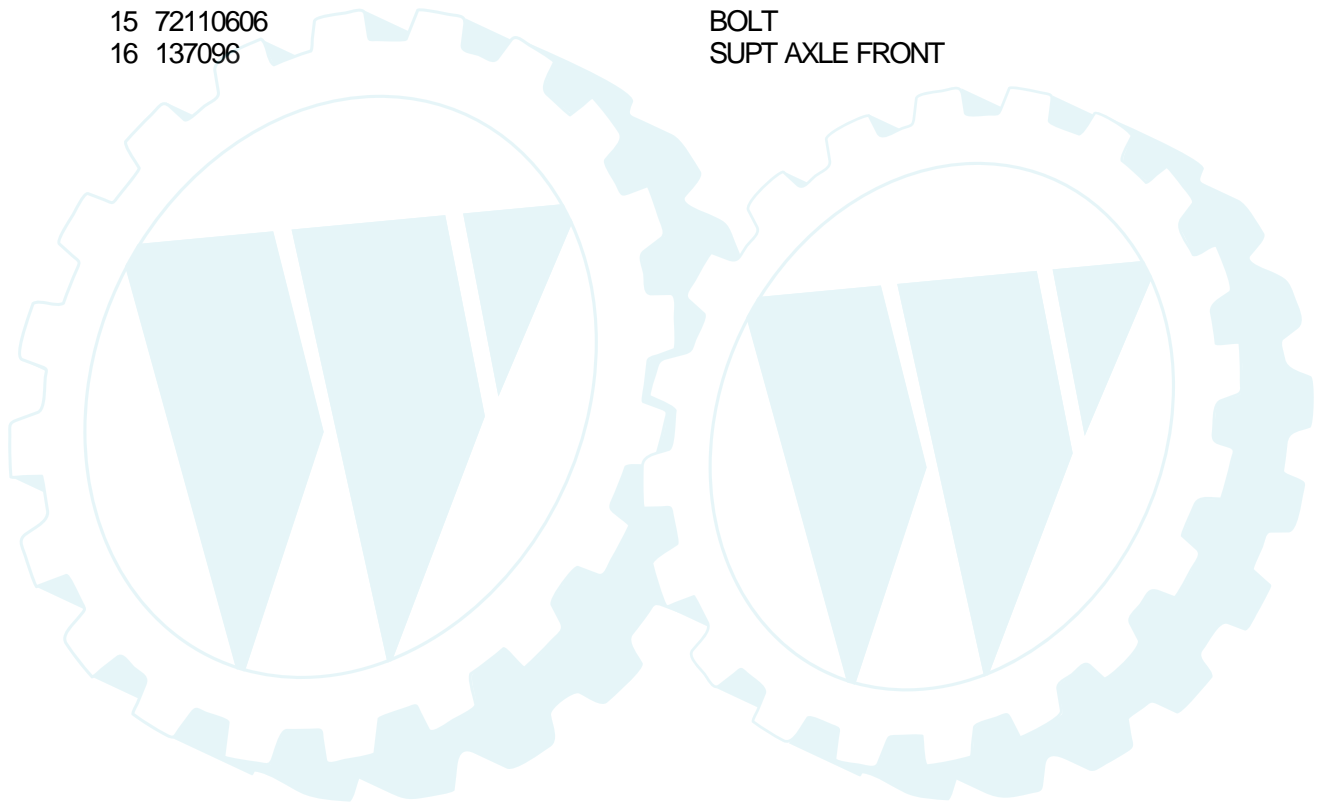




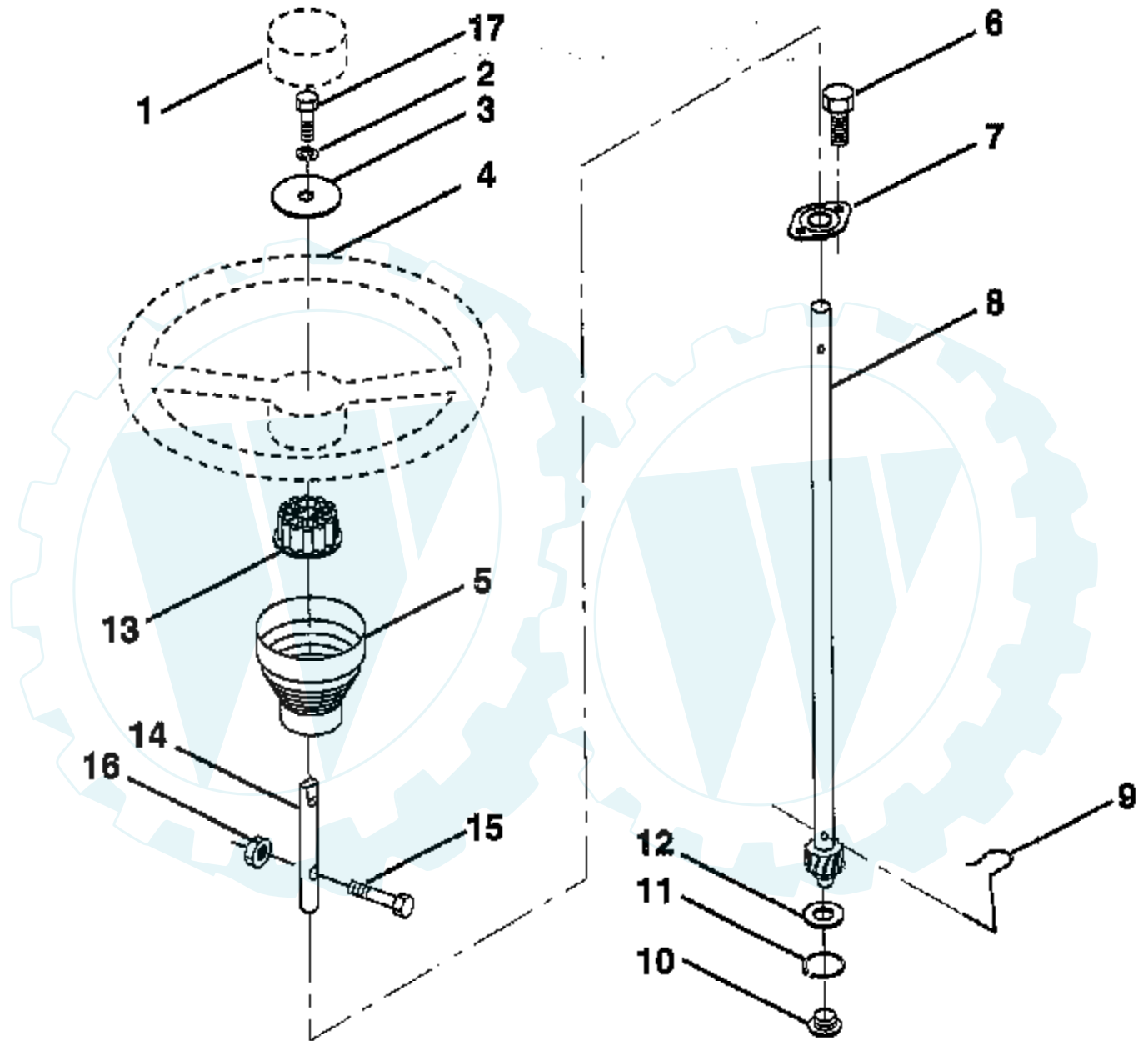
## TRACTOR - - MODEL NUMBER 11HP92 (DE1136B) SECTOR GEAR / AXLE SUPPORT



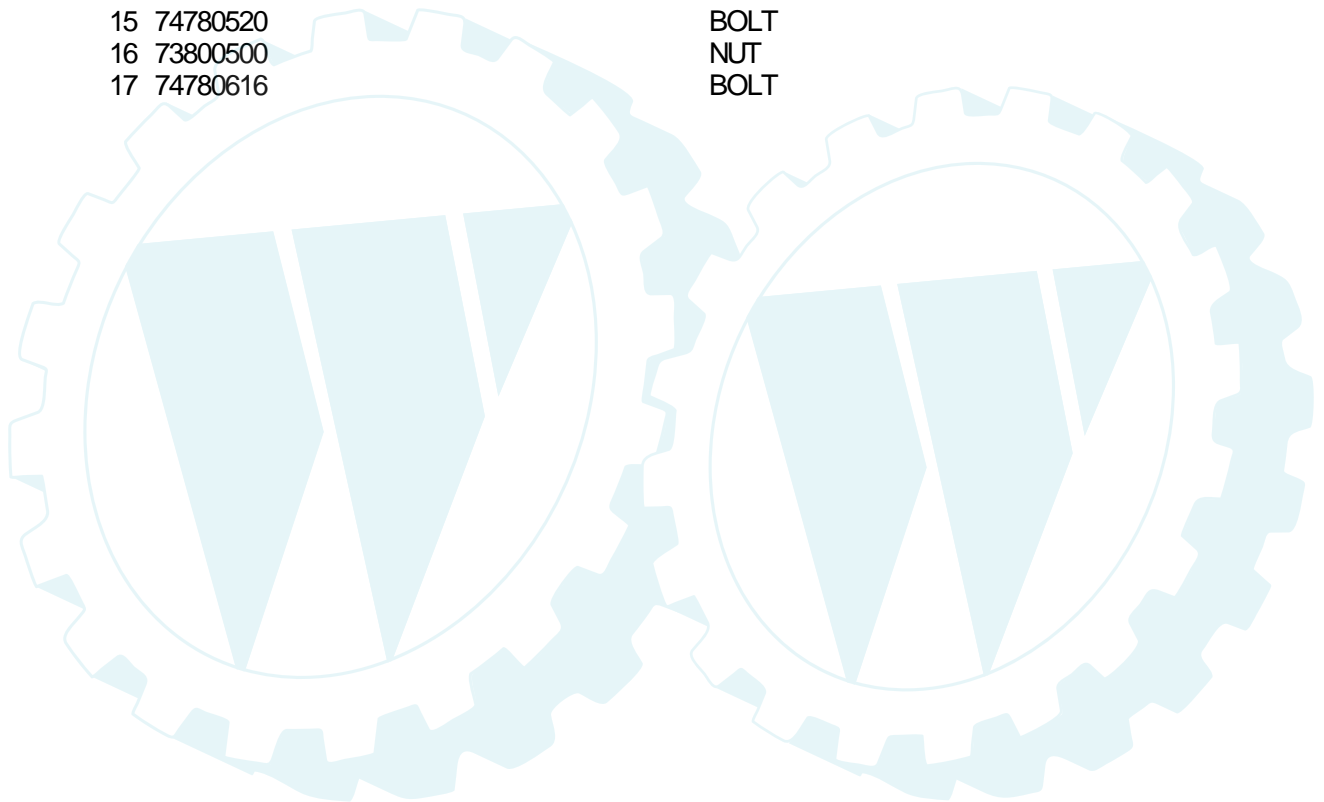
| Ref # | Part Number | Qty | Description      |
|-------|-------------|-----|------------------|
| 1     | 132566      |     | DRAG LINK        |
| 2     | 74780828    |     | "BOLT,HEX"       |
| 3     | 73680500    |     | SUB= 73690500    |
| 4     | 73680600    |     | SUB= 73690600    |
| 5     | 121926X     |     | GEAR SECTOR      |
| 6     | 121927X     |     | BUSHING          |
| 7     | 73030800    |     | NUT              |
| 8     | 126472X     |     | CLIP INSULATOR   |
| 9     | 73680800    |     | NUT LTV          |
| 10    | 76020412    |     | COTTER PIN       |
| 11    | 19131316    |     | WASHER           |
| 12    | 126847X     |     | BUSHING.DRAGLINK |
| 13    | 74760512    |     | BOLT             |
| 14    | 19111416    |     | WASHER           |
| 15    | 72110606    |     | BOLT             |
| 16    | 137096      |     | SUPT AXLE FRONT  |



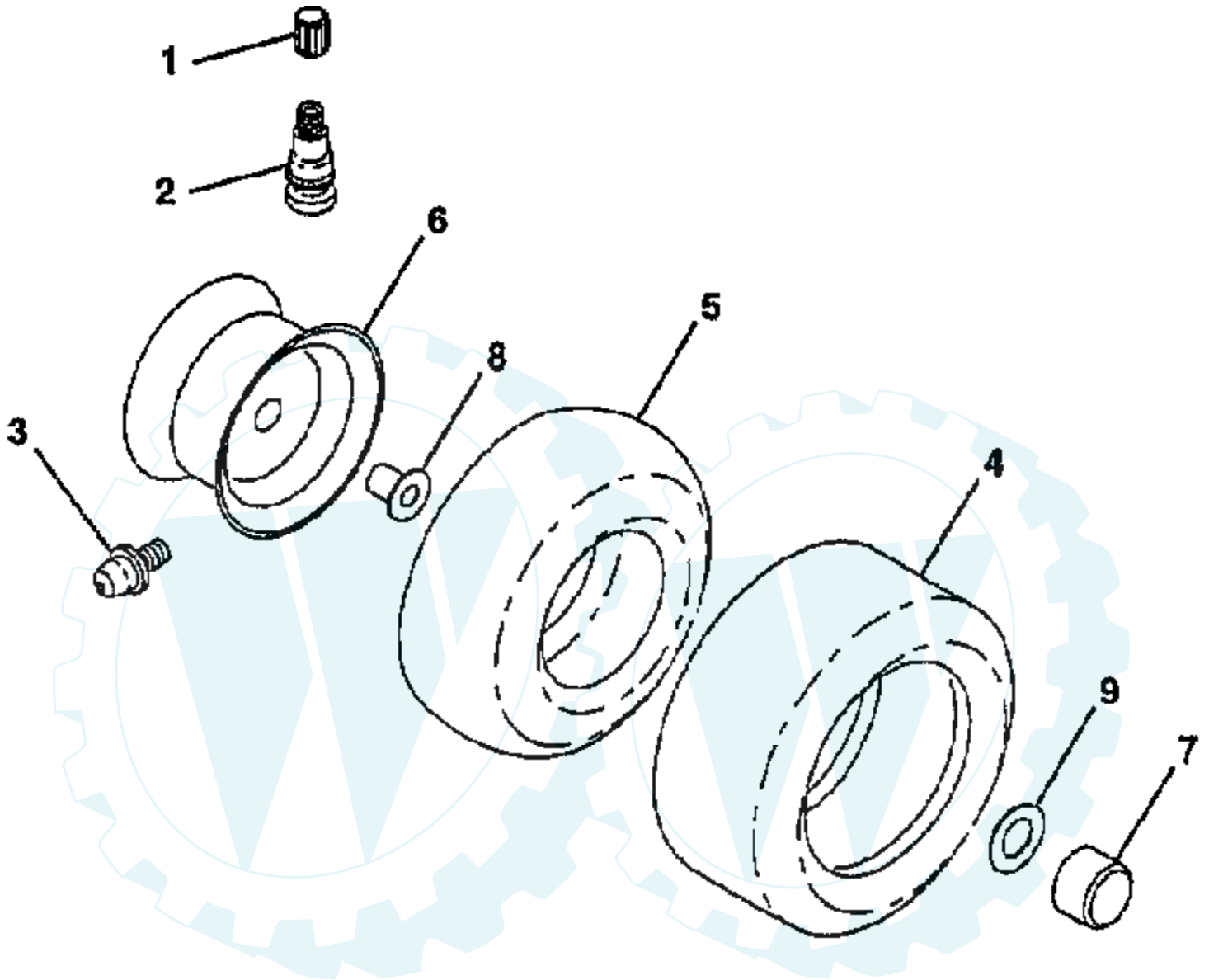
### TRACTOR - - MODEL NUMBER 11HP92 (DE1136B) STEERING WHEEL



| Ref # | Part Number | Qty | Description         |
|-------|-------------|-----|---------------------|
| 1     | 140175      |     | CAP WHEEL STEER     |
| 2     | 10040600    |     | LOCKWASHER          |
| 3     | 19133808    |     | WASHER T            |
| 4     | 139768      |     | SUB= 150547         |
| 5     | 121897X     |     | SLEEVE STEERING     |
| 6     | 152927      |     | "SCREW-TT,10-32 FL" |
| 7     | 155104      |     | BUSHING.STR.623     |
| 8     | 147391      |     | SHAFT.STEERING.LR   |
| 9     | 124210X     |     | STEERING CLIP       |
| 10    | 123438X     |     | BUSHING STEER LWR   |
| 11    | 12000045    |     | RING                |
| 12    | 19211616    |     | WASHER LT           |
| 13    | 100711L     |     | ADAPTER LT          |
| 14    | 153720      |     | EXT SHAFT STEERIN   |
| 15    | 74780520    |     | BOLT                |
| 16    | 73800500    |     | NUT                 |
| 17    | 74780616    |     | BOLT                |



# TIRES & WHEELS

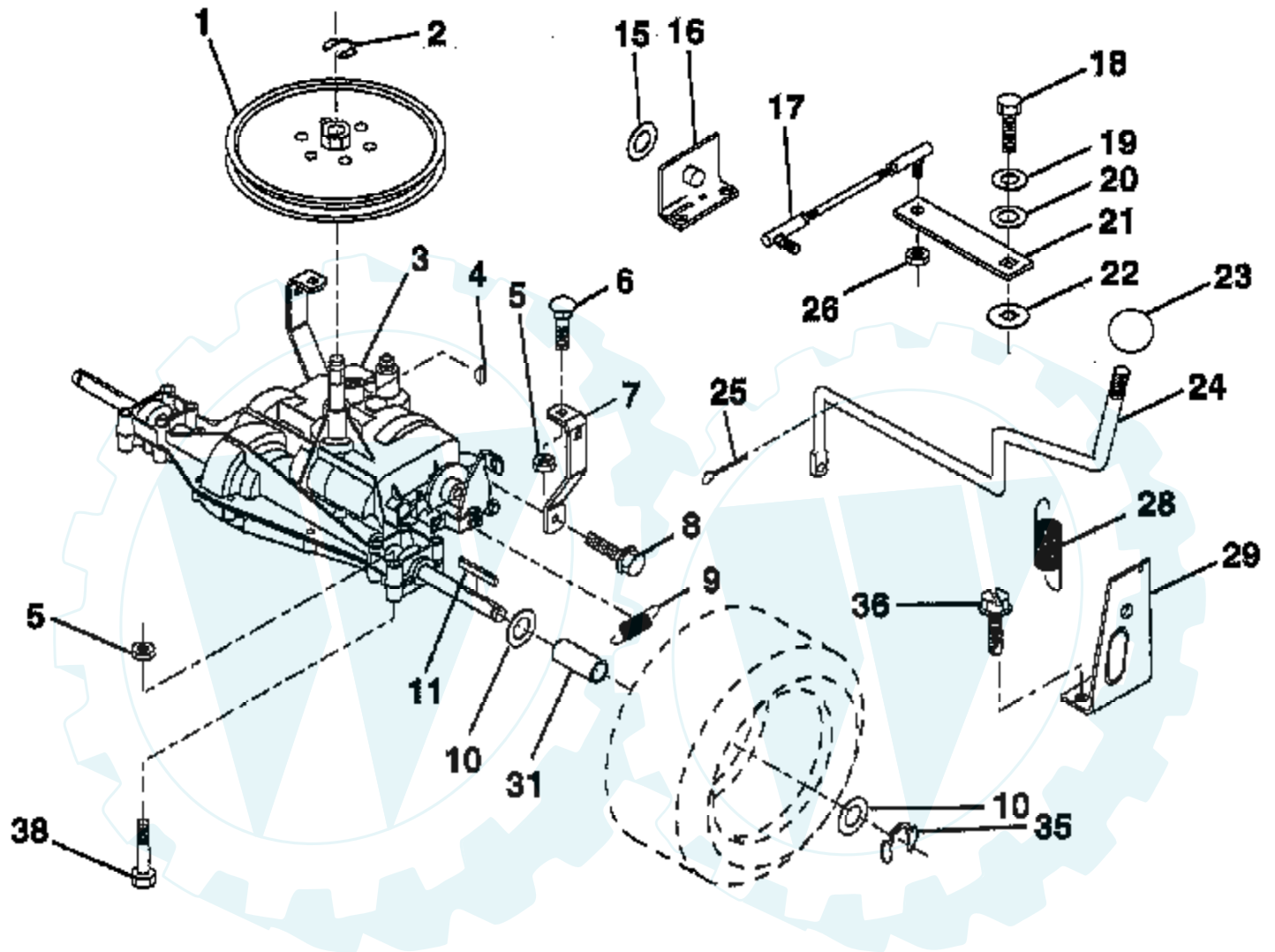


| Ref # | Part Number | Qty | Description              |
|-------|-------------|-----|--------------------------|
| 1     | 59192       |     | VALVE CAP                |
| 2     | 65139       |     | VALVE STEM LT            |
| 3     | 278H        |     | FITTING LT               |
| 4     | 124142X     |     | SUB= 123410X             |
| 4     | 124143X     |     | SUB= 122075X             |
| 5     | PARTSIMAGE  |     | REFER TO PARTS IMAGE     |
| 5     | 59904       |     | TUBE.5.3/4.5/6           |
| 5     | 8134H       |     | TUBE.16X6.5/7.5-8        |
| 6     | 137237X417  |     | "RIM.FRT.6"" .ASM"       |
| 6     | 140325X417  |     | "RIM REAR 8""            |
| 7     | 104757X     |     | HUB CAP                  |
| 8     | 9040H       |     | "FLANGE, BEARING"        |
| 9     | 121748X     |     | WASHER                   |
|       | 144334      |     | SEALANT.TIRE 10 OZ. TUBE |



## TRACTOR - - MODEL NUMBER 11HP92 (DE1136B)

### TRANSAXLE



| Ref # | Part Number | Qty | Description             |
|-------|-------------|-----|-------------------------|
| 1     | 123385X     |     | PULLEY                  |
| 2     | 12000028    |     | SUB= 2267J              |
| 3     | SUPPLIER    |     | CHECK WITH SUPPLIER     |
| 4     | 2228M       |     | SUB= 2228M1             |
| 5     | 73680500    |     | SUB= 73690500           |
| 6     | 72140506    |     | BOLT                    |
| 7     | 123378X     |     | "STRAP,TORQUE"          |
| 8     | 17490512    |     | SCREW                   |
| 9     | 146682      |     | SPRING.BRAKE.RETU       |
| 10    | 121749X     |     | WASHER                  |
| 11    | 123583X     |     | SQUARE KEY              |
| 15    | 19171616    |     | WASHER                  |
| 16    | 124600      |     | SUPPORT HANDLE SHIFT LH |
| 17    | 126293X     |     | LINK SHIFT              |
| 18    | 74550412    |     | BOLT.1/4-28.W/PAT       |
| 19    | 10040400    |     | LOCKWASHER              |
| 20    | 19091210    |     | WASHER LT               |
| 21    | 126292X     |     | ARM SHIFT               |
| 22    | 105701X     |     | WASH-SHFT PLT LT        |
| 23    | 106933X     |     | KNOB T (1/2-HOLE)       |
| 24    | 128215      |     | "ROD,SHIFT"             |
| 25    | 76020416    |     | PIN COTTER 1/8          |
| 26    | 73810500    |     | NUT.LOCK.5/16-24        |
| 28    | 128085      |     | "SPRING,EXT"            |
| 29    | 128084      |     | "SUPT,HDLE RH"          |
| 31    | 137057      |     | SPACER AXLE             |
| 35    | 12000001    |     | E-RING LT               |
| 36    | 17720408    |     | SCREW                   |
| 38    | 74490540    |     | BOLT.HEX.FLGHD          |

