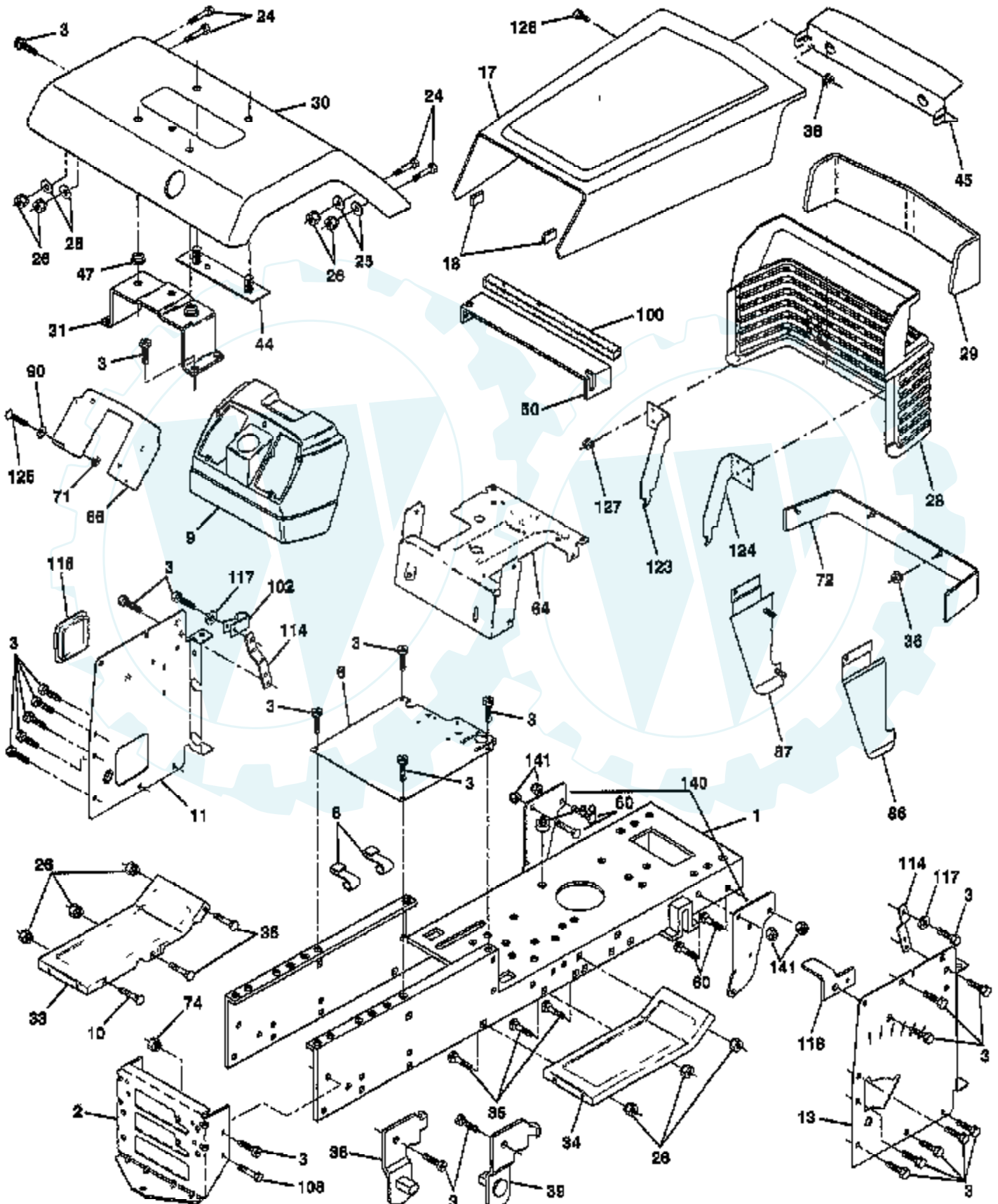


TRACTOR -- MODEL NUMBER CTH14542J

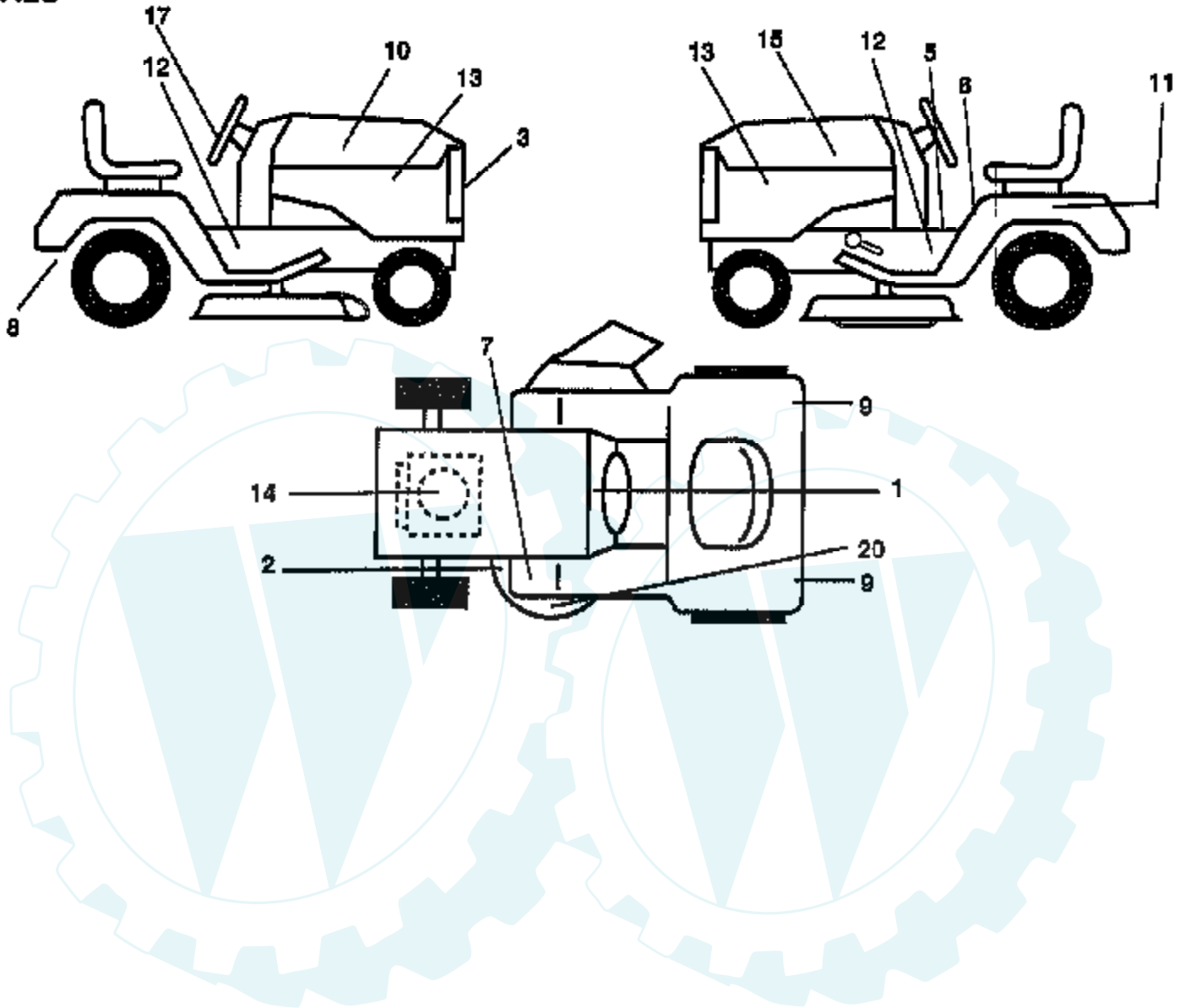
CHASSIS



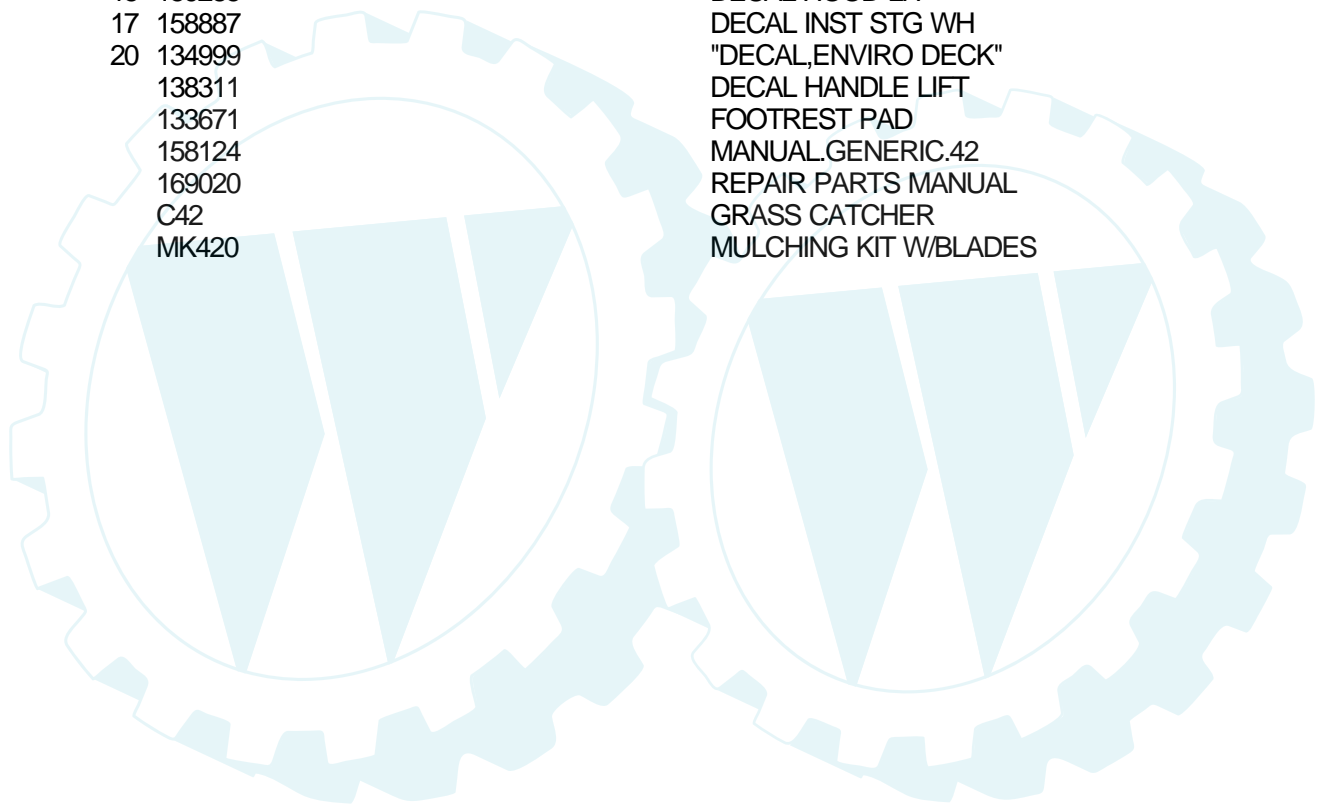
Ref #	Part Number	Qty	Description
1	165480		CHASSIS.STAMPING
2	140356		SUB= 145009
3	17490612		SCREW
6	155923		SADDLE
8	126471X		"CLIP,INSULATOR"
9	145203		DASH.PLASTIC.BLK
10	72140608		SUB= 72110608
11	145218		PANEL.DASH.LH.
13	145217		PANEL.DASH.RH.
17	123801X550		HOOD/GRILLE ASM
18	126938X		SUB= 532126938
24	74780616		BOLT
25	19131312		WASHER
26	73800600		NUT
28	140671		GRILLE ASM WELD
29	110868X		SPACER
30	168744X550		FENDER.LTST.WLDMNT.W.SHIFT
31	139976		BRACKET SUPT FEND
33	145244X550		FOOTREST.LH.LT/GT
34	145243X550		FOOTREST.RH.LT/GT
35	72110606		BOLT
36	108067X		PAL NUT LT
37	17490508		SCREW LT
38	139886		BRACKET ASM LH
39	139887		BRACKET ASM RH
40	139977		SPACER FENDER LT
45	132257X417		BEZEL.LIGHT.SLVR
50	124046X		"BAFFLE,HOOD"
59	110436X		SUB= 9151R
64	150272		DASH.LOWER.LT
66	166327X011		PLATE
71	73680400		SUB= 73690400
72	110350X550		STRAP FENDER ASM
86	123764X550		PANEL SIDE RH ASM
87	123765X550		PANEL SIDE LH ASM
90	19091216		WASHER PM
100	105037X		FOAM-STRIP LT
102	2751R		CLIP T
114	145349		BRACKET.SUPT.DASH
115	121794X		COVER ACCESS
117	144283		WASHER.SERRATED.
118	145595		BRACKET.CLUTCH.MC
123	149037		BRACKET.PICK.LH.
124	149036		BRACKET.PICK.RH.
125	74180412		SCREW
127	120579X		PAL NUT
128	124201X		SCREW SPECIAL
140	158418		BRKT SUSPENSION
145	156524		"ROD POVOT,CHASSIS"
	5479J		PLUG BUTTON T

TRACTOR - - MODEL NUMBER CTH14542J

DECALS

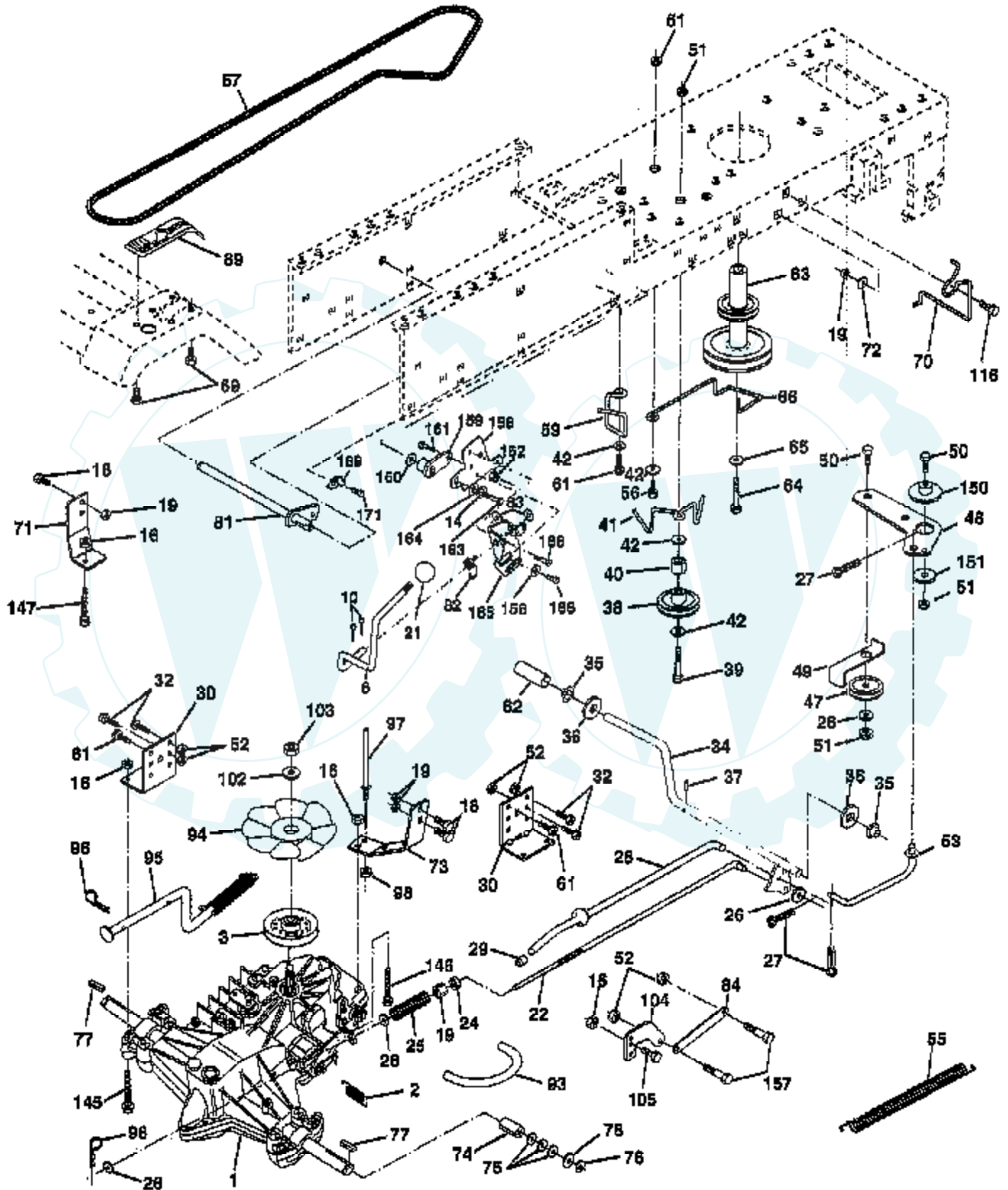


Ref #	Part Number	Qty	Description
1	156835		"DECAL-INST,OPER"
2	160396		"DECAL-SCHEM,BELT"
3	158889		DECAL GRILLE
5	140837		DECAL BRAK PARK
6	157002		"DECAL DANGER,FEND"
7	4900J		DECAL T
8	142341		DECAL DRAWBAR LH
9	106202X		REFLECTOR-TAIL YT
10	159284		DECAL HOOD RH
11	145005		DECAL.BATRY.3-3908
12	159288		"DECAL CHASSIS 42""
13	159287		DECAL SIDE PANEL
14	165352		DECAL.ENGINE
15	159285		DECAL HOOD LH
17	158887		DECAL INST STG WH
20	134999		"DECAL,ENVIRO DECK"
	138311		DECAL HANDLE LIFT
	133671		FOOTREST PAD
	158124		MANUAL.GENERIC.42
	169020		REPAIR PARTS MANUAL
	C42		GRASS CATCHER
	MK420		MULCHING KIT W/BLADES



TRACTOR - - MODEL NUMBER CTH14542J

DRIVE

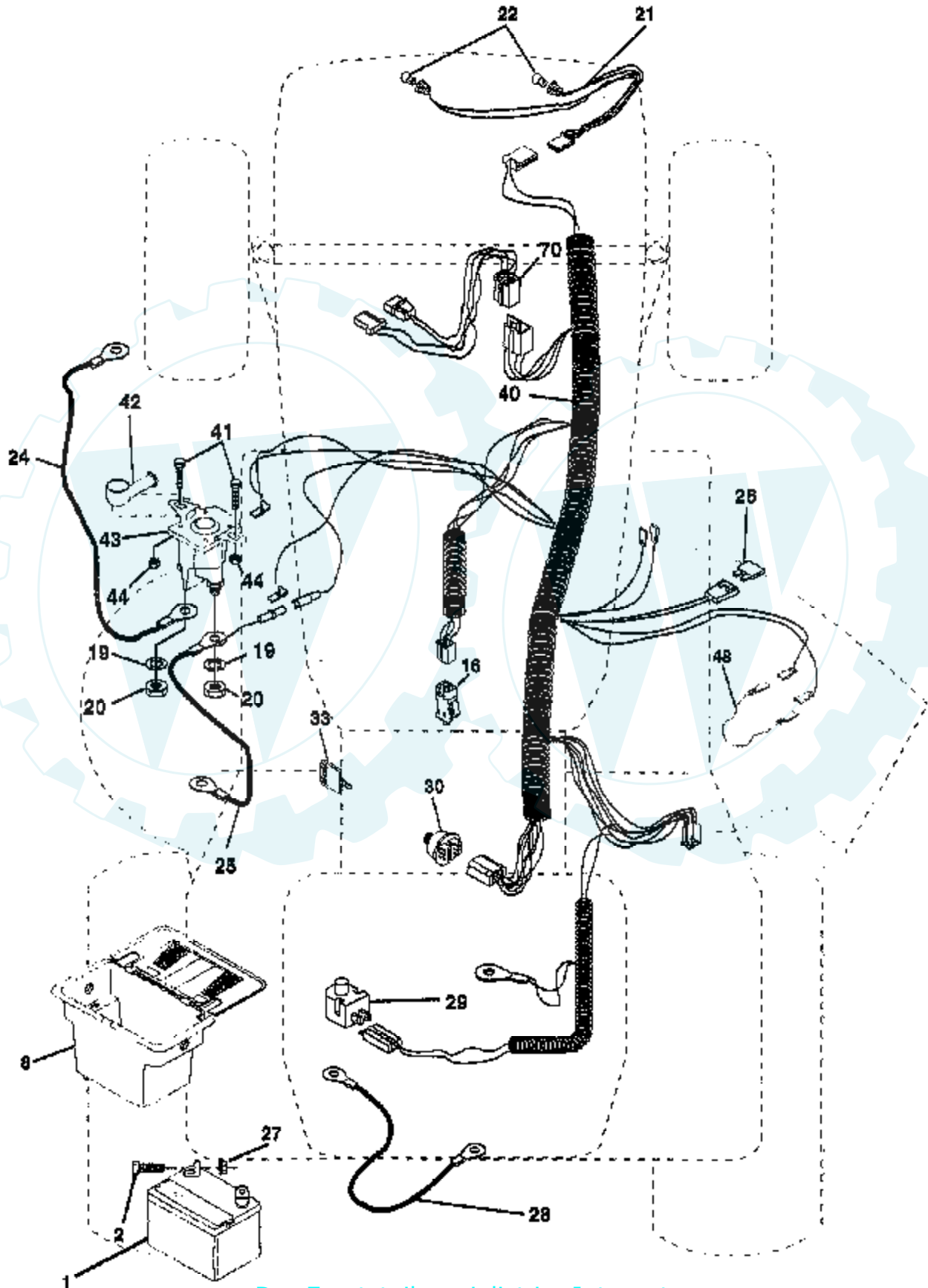


Ref #	Part Number	Qty	Description
1	SUPPLIER		CHECK WITH SUPPLIER
1	150071		TRANSAXLE.3100650
2	142431		SPRING RET BRAKE
3	143995		PULLEY.TRANSAXLE
8	165619		ROD.SHIFT.FENDER.ADJ.LT.CRD
10	76020416		PIN COTTER 1/8
14	10040400		LOCKWASHER
16	73800500		NUT
18	74780616		BOLT
19	73800600		NUT
21	140845		KNOB DLX BLK/BLK
22	145627		ROD.BRAKE.HYDRO.
24	73350600		NUT
25	106888X		SPRING ROD LT
26	19131316		WASHER
27	76020412		COTTER PIN
28	145204		ROD.BRAKE.PARK.LT
29	71673		PLUNGER CAP T
30	130807		TRANSAXLE MTG BKT
32	74760512		BOLT
34	155071		SHAFT ASM-PEDAL F
35	120183X		NYLON BEARING
36	19211616		WASHER LT
37	1572H		SUB= 2882J
38	131494		FLAT IDLER PULLEY
39	74760644		BOLT
40	4470J		SPACER T
41	165838		"KEEPER,BELT.IDLER FLAT"
42	19131312		WASHER
47	127783		SUB= 139245
48	154407		BELLCRANK.CLUTCH
49	123205X		RETAIN BELT
50	74760624		SUB= 74930624
51	73680600		SUB= 73690600
52	73680500		SUB= 73690500
53	105710X		"LINK, CLUTCH T"
55	105709X		"SPRING, RETURN LT"
56	74760620		SUB= 74780620
57	140294		"BELT.GD DRV 82""
59	140312		KEEPER BELT CNTSP
61	17490612		SCREW
62	8883R		PEDAL COVER T
63	140186		PULLEY.ENGINE
64	71170764		BOLT
65	10040700		LOCKWASHER
66	154778		KEEPER-BELT
69	142432		SCREW HEXWSH H-L
70	134683		KEEPER BELT ENG
71	140158		STRAP TORQ LH HYD
72	19132012		WASHER
73	156347		"STRAP-TORQUE,RH"
74	121199X		SPACER SPLIT
75	121749X		WASHER
76	12000001		E-RING LT
77	123583X		SQUARE KEY
78	121748X		WASHER
81	165591		SHAFT.ASM.CROSS
82	123782X		"SPRING,TORSION"

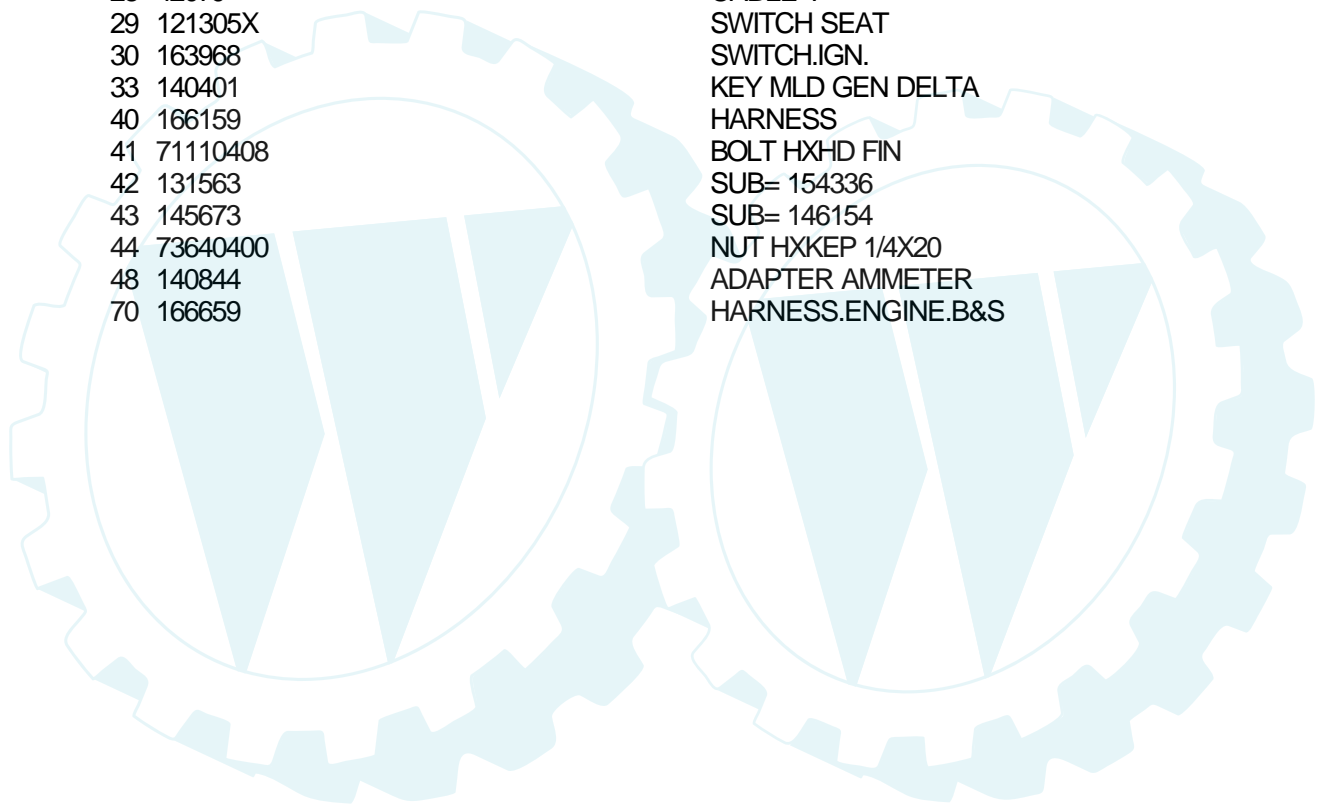
Ref #	Part Number	Qty	Description
83	19171216		WASHER
84	165815		LINK.TRANSAXLE.LT/YT
89	164893X428		CONSOLE.SHIFT.LT
93	142564		"LINE FUEL HYD 4""
94	140462		"FAN 7"" HYDRO"
95	167696		CONTROL.ASM.BYPASS.HYDRO.99
96	4497H		RETAINER M
97	140469		BOLT KEEPER RH
98	73510600		NUT
102	141322		WASHER BELLEVILLE
103	73940800		SUB= 73360800
104	140156		ARM CONTROL HYDRO
105	71070516		SCREW CAP 5/16-18
116	72110610		BOLT RDHD 3/8-16
145	74490540		BOLT.HEX.FLGHD
146	74490536		BOLT.HEX.FLGHD.
147	74490524		BOLT.HEX.FLGHD
150	165850		BUSHING.BELLCRANK.GRD.DR
151	19133210		WASHER
156	166002		WASHER.SRRTD.5/16
157	153236		"BOLT,SHOULDER"
158	165589		BRKT.SHIFT.MOUNT
159	165494		HUB.SHIFT
160	19292016		WASHER
161	72140406		BOLT T
162	73680400		SUB= 73690400
163	74780416		NLA
164	19091010		WASHER.5/8X.281X10GA
165	165623		BRKT.PIVOT.LEVER
166	166880		SCREW.5/16-18X5/8
168	165492		BOLT.SHOULDER.5/16-18X.561
169	165581		PLATE.FASTENING
171	17490608		SCREW LT

TRACTOR - - MODEL NUMBER CTH14542J

ELECTRICAL

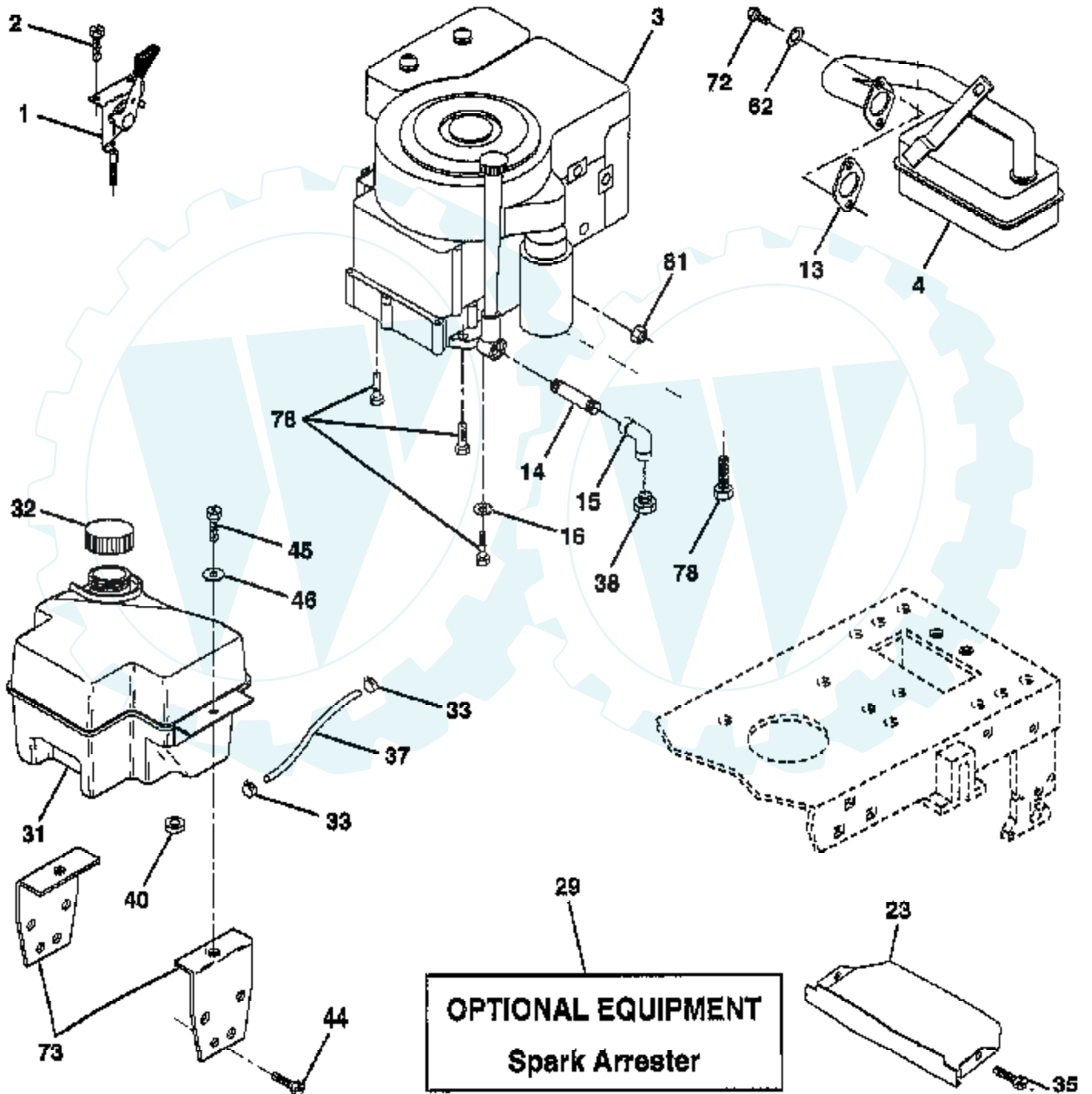


Ref #	Part Number	Qty	Description
	REFER		REFER TO IMAGE
1	144925		SUB= 123899X
2	74760412		BOLT LT
8	156417		"CASE,BATTERY.MECH"
16	153664		SWITCH INTERLOCK
19	10090400		SUB= 10040400
20	73350400		NUT
21	166181		HARNASS.ASM.LIGHT W/4152J
22	4152J		HEADLAMP BULB
24	146136		CABLE.BTRY.6GA.RD
25	148009		CABLE.BTRY.6GA.38
26	166180		FUSE.15 AMP
27	73510400		NUT
28	4207J		CABLE T
29	121305X		SWITCH SEAT
30	163968		SWITCH.IGN.
33	140401		KEY MLD GEN DELTA
40	166159		HARNASS
41	71110408		BOLT HXHD FIN
42	131563		SUB= 154336
43	145673		SUB= 146154
44	73640400		NUT HXKEP 1/4X20
48	140844		ADAPTER AMMETER
70	166659		HARNASS.ENGINE.B&S

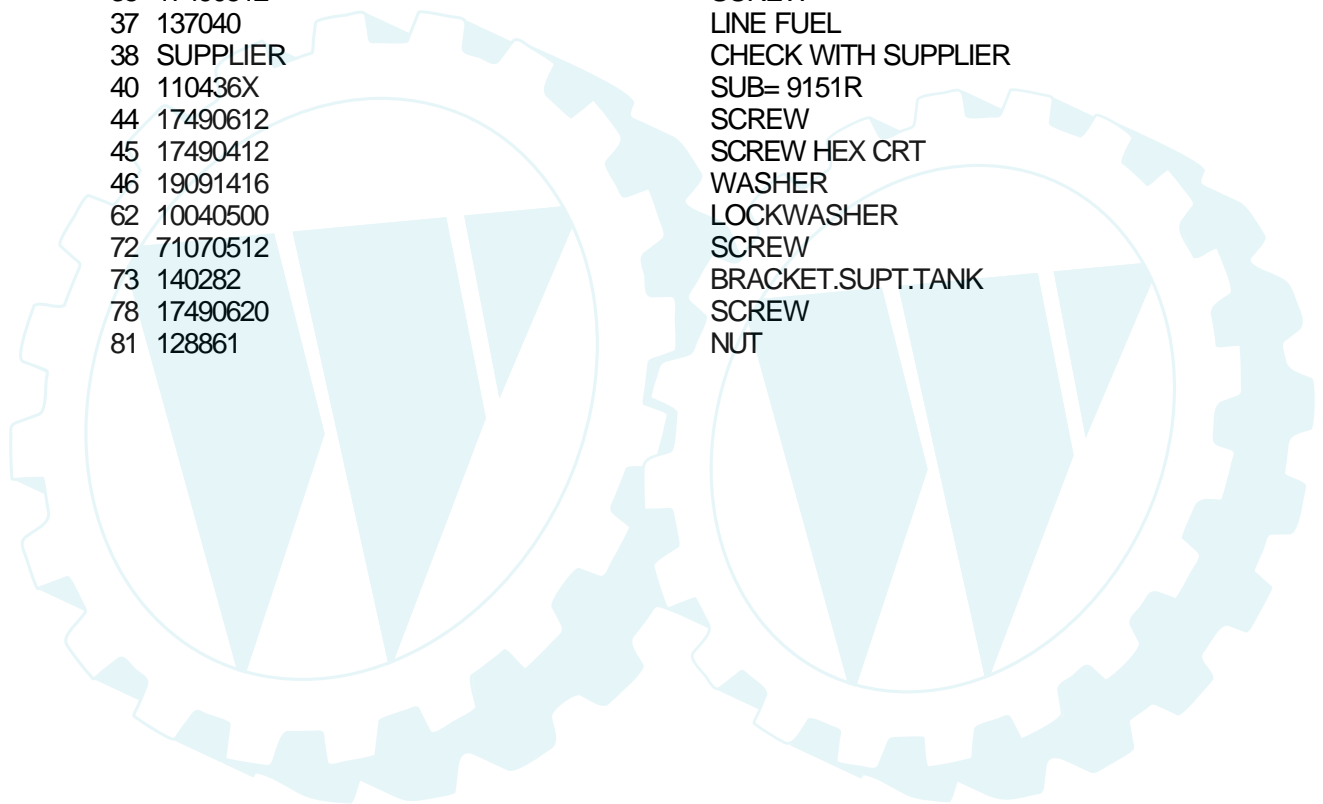


TRACTOR - - MODEL NUMBER CTH14542J

ENGINE

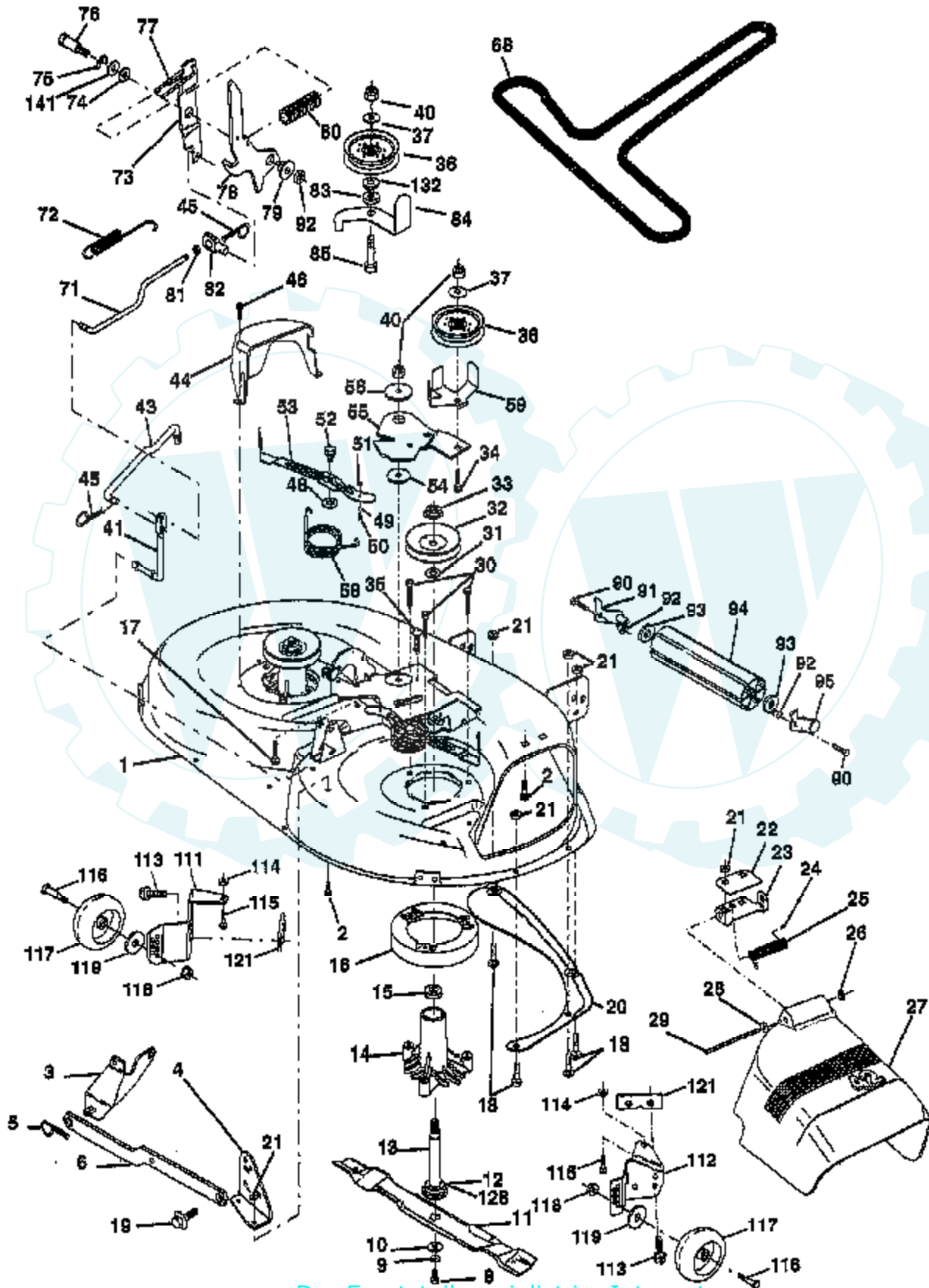


Ref #	Part Number	Qty	Description
1	143893		CONTROL.THTL.19.6
2	17720410		SCREW LT
3	SUPPLIER		CHECK WITH SUPPLIER
4	137352		MUFFLER
13	165291		SUB= 272293
14	13280324		PIPE NIPPLE
15	13200300		ELBOW
16	11050600		LOCKWASHER
23	159880		SHIELD.BRN/DBR.GD
29	137180		SUB= 532137180
31	161911		TANK.FUEL.FRONT.
32	140527		CAP ASM FUEL
33	123487X		HOSE CLAMP
35	17490512		SCREW
37	137040		LINE FUEL
38	SUPPLIER		CHECK WITH SUPPLIER
40	110436X		SUB= 9151R
44	17490612		SCREW
45	17490412		SCREW HEX CRT
46	19091416		WASHER
62	10040500		LOCKWASHER
72	71070512		SCREW
73	140282		BRACKET.SUPT.TANK
78	17490620		SCREW
81	128861		NUT



TRACTOR - - MODEL NUMBER CTH14542J

MOWER DECK

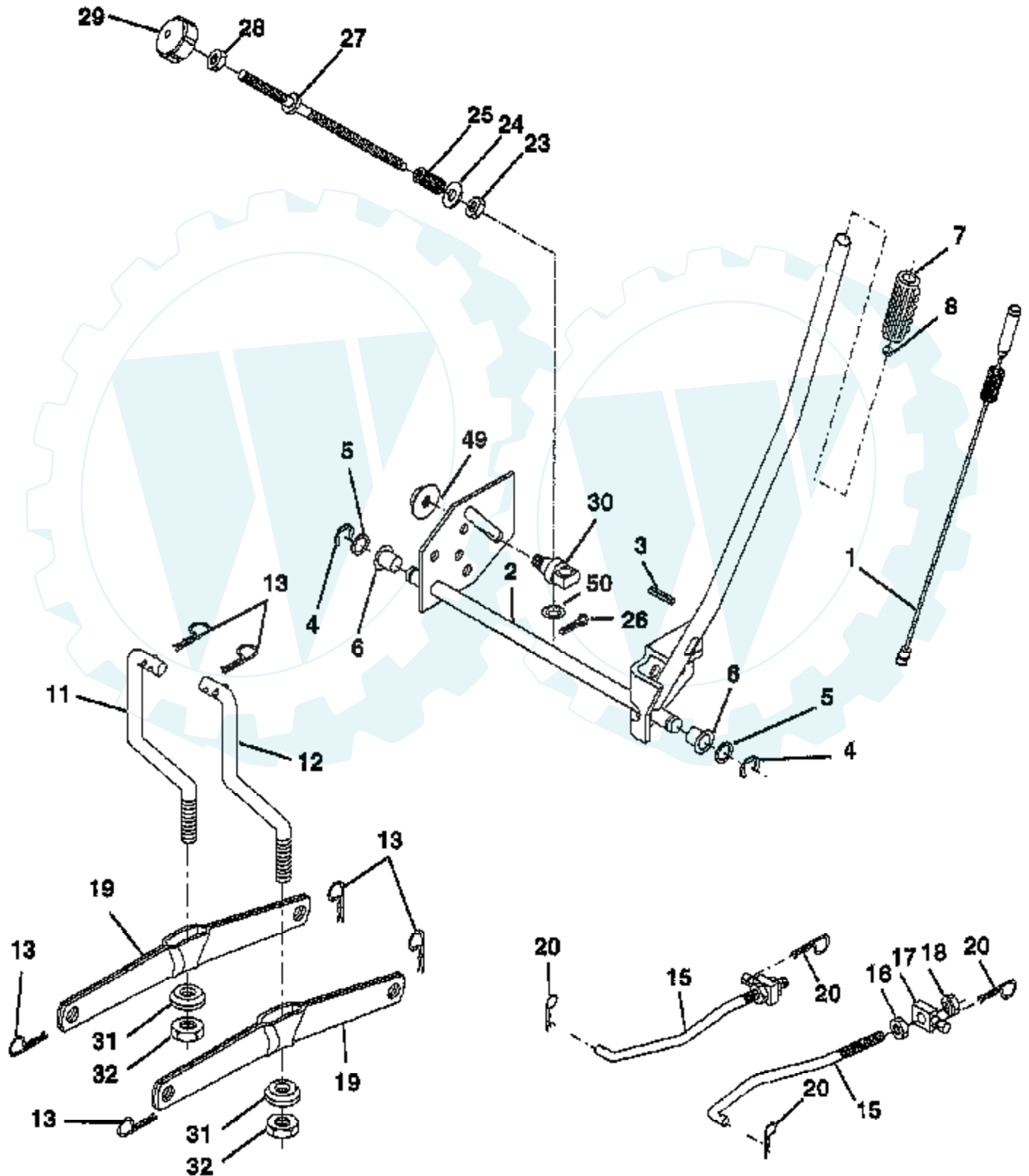


Ref #	Part Number	Qty	Description
1	164961		"HOUSING ASSY.42""
2	72140506		BOLT
3	138017		BRKT ASM SWAY BAR
4	138440		BRKT DECK SW BAR
5	4939M		SUB= 85902
6	130832		SUB= 130833
8	850857		BLADE BOLT
9	10030600		SUB= 10040600
10	140296		WASHER.HARD.BLADE
11	138498		"BLADE.42"" HIPERF"
12	129895		BEARING.BALL
13	137645		SUB= 137646
14	128774		HSG ASM MANDREL
15	110485X		BEARING
16	140329		STRIPPER RND MWR
17	72110610		BOLT RDHD 3/8-16
18	72140505		BOLT
19	132827		BOLT SHD 5/16-18
20	159770		BAFFLE VORTEX 42
21	73680500		SUB= 73690500
22	134753		STIFFENER BRKT
23	131267		DEFLECTOR BRKT
24	105304X		CAP-SLEEVE LT
25	123713X		SPRING TORSION
26	110452X		NUT PUSH M
27	130968		DEFLECTOR.SHIELD
28	19111016		WASHER
29	131491		HINGE ROD
30	157722		"SCREW-THD ROLL,WA"
31	129963		WASHER
32	153535		PULLEY.MANDREL.42
33	137266		SUB= 139729
34	72110614		BOLT
35	133835		XMAS TREE FASTNER
36	131494		FLAT IDLER PULLEY
37	19131316		WASHER
40	73680600		SUB= 73690600
41	133551		PIVOT ROD
43	140083		ROD CLUTCH W/NIBS
44	140088		GUARD MAND LH BLK
45	4497H		RETAINER M
46	137729		SCREW.1/4-20X5/8
48	133944		HARD SMALL WASHER
49	155066		ROLLER ASM-CAM
50	131340		SHOULDER BOLT
51	69180		LOCKNUT
52	139888		BOLT.SHLD.5/16-18
53	131845		BRAKE PAD ARM ASM
54	133943		HARDENED WASHER
55	155046		ARM-IDLER
56	122052X		SPACER RETAINER
58	140086		SPRING TORSN BRAK
59	141043		GUARD IDLER TUV
68	144200		BELT.V.T-PATH
71	142427		ROD CLUTCH 38/42
72	146927		SPRING.EXT.RETURN
73	127847		CLUTCH ARM SECOND
74	121748X		WASHER

Ref #	Part Number	Qty	Description
75	12000029		RING
76	128903		SHOULDER BOLT
77	127845		SPRING KEEPER
78	160569		ARM CLUTCH PRIMARY
79	127498		BUSHING
80	153701		SPRING.CLUTCH.MWR
81	73350600		NUT
82	142028		TRUNION ADJ
83	120958X		WASHER
84	156084		"KEEPER-BELT,FIXED"
85	72140620		BOLT
90	74760616		BOLT
91	132274		SUB= 532132274
92	73800600		NUT
93	19171416		WASHER
94	132264		SUB= 532132264
95	132273		SUB= 532132273
111	155197		BRACKET.GWHL.LH.
112	155198		BRACKET.GWHL.RH.
113	17490512		SCREW
114	73510500		NUT
115	72110504		SUB= 872110504
116	4898H		BOLT M
117	165746		WHEEL.GUAGE
118	73930600		LOCKNUT
119	19121414		WASHER
121	143723		BRACKET.EXTRD.GWL
128	153390		WASHER.FELT.
132	19132203		WASHER GT
141	6266H		WASHER .T
	130794		MANDREL ASM
	164962		"DECK.MOWER SERV.42"" MECH"

TRACTOR - - MODEL NUMBER CTH14542J

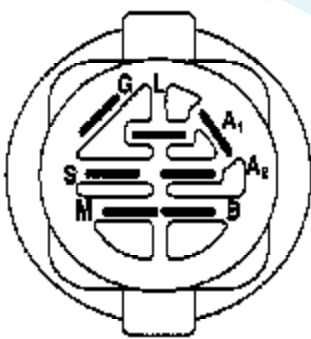
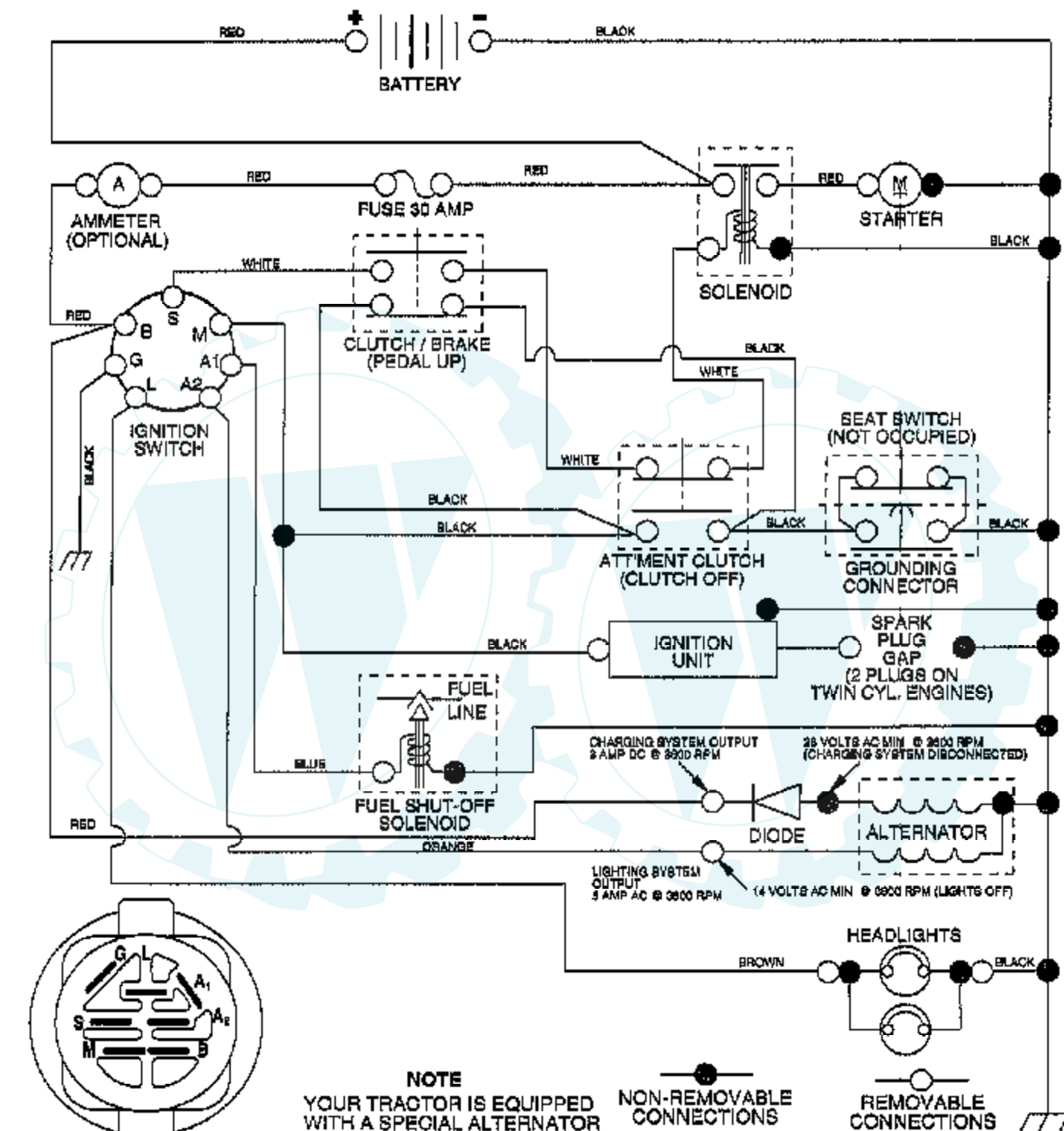
MOWER LIFT



Ref #	Part Number	Qty	Description
1	159461		WIRE.ASM.INNER.SP
2	159476		"SHAFT AMS LIFT,RH"
3	138284		PIN GROOVE
4	12000002		SUB= 2225J
5	19211621		WASHER
6	120183X		NYLON BEARING
7	109413X		GRIP
8	124526X		SUB= 125925X
11	139865		SUB= 918139865
12	139866		SUB= 151140
13	4939M		SUB= 85902
15	127218		LINK.FRONT
16	73350800		NUT
17	130171		TRUNION
18	73680800		NUT LTV
19	139868		ARM SUSP REAR
20	163552		RETAINER SPRING
23	110807X		NUT T
24	19131016		WASHER
25	137150		SPRING.COMP.INF.H
26	76020308		SUB= 3145
27	137167		ROD.ADJ.LIFT
28	73350600		NUT
29	138057		KNOB INF 3/8-16
30	150233		TRUNNION
31	140302		BEARING PVT LH
32	73540600		NUT.CROWNLOCK.3/8
49	145212		NUT.HXFLG.LOCK.
50	110452X		NUT PUSH M

TRACTOR -- MODEL NUMBER CTH14542J

SCHEMATIC



IGNITION SWITCH

POSITION	CIRCUIT	"MAKE"
OFF	M+G+A1	NONE
RUN/LIGHT	B+A1	A2+L
RUN	B+A1	NONE
START	B + S + A1	NONE

NOTE
YOUR TRACTOR IS EQUIPPED WITH A SPECIAL ALTERNATOR SYSTEM. THE LIGHTS ARE NOT CONNECTED TO THE BATTERY, BUT HAVE THEIR OWN ELECTRICAL SOURCE. BECAUSE OF THIS, THE BRIGHTNESS OF THE LIGHTS WILL CHANGE WITH ENGINE SPEED. AT IDLE THE LIGHTS WILL DIM. AS THE ENGINE IS SPEEDED UP, THE LIGHTS WILL BECOME THEIR BRIGHTEST.

NON-REMOVABLE CONNECTIONS

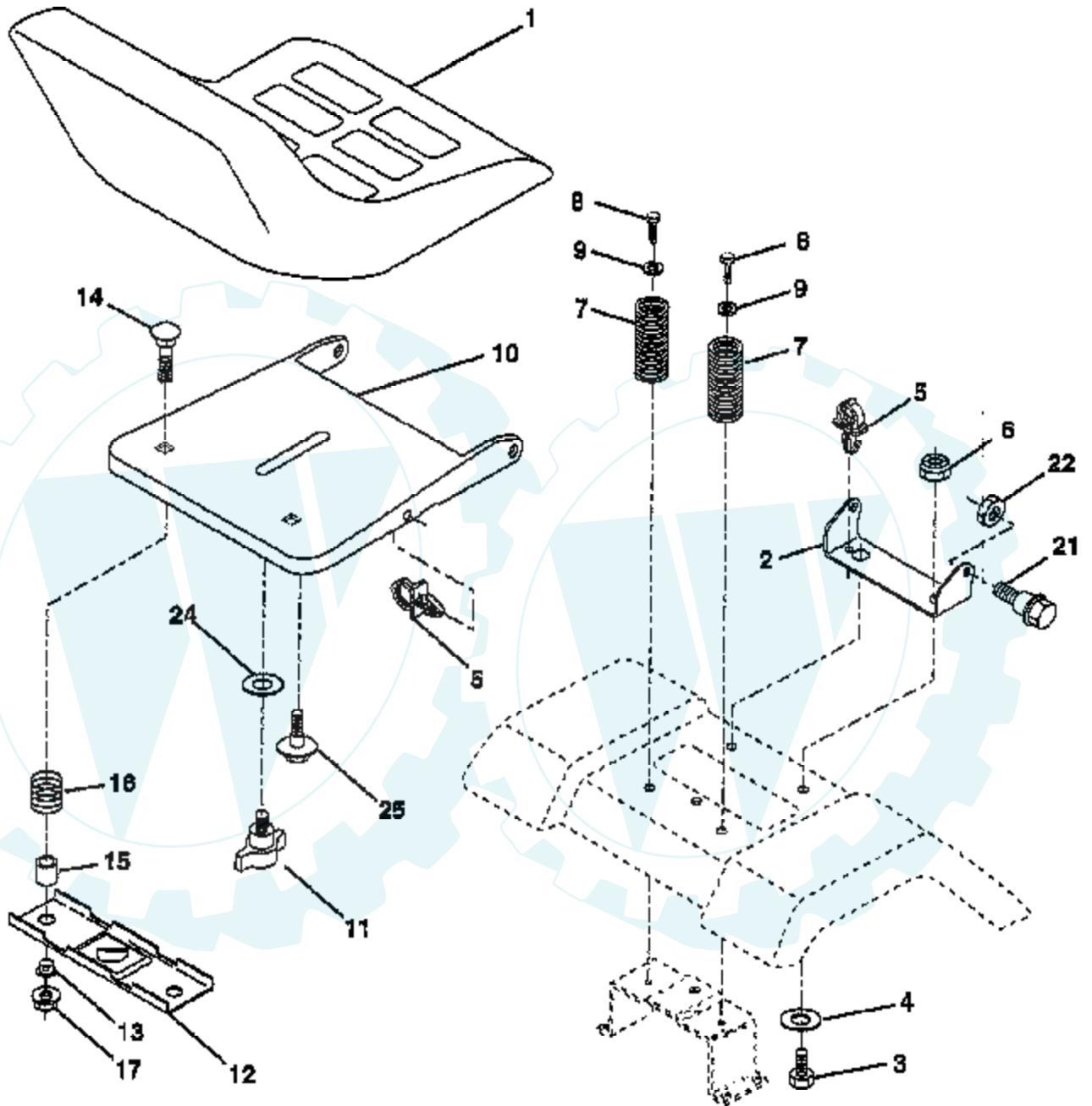
REMOVABLE CONNECTIONS

WIRING INSULATED CLIPS
NOTE: IF WIRING INSULATED CLIPS WERE REMOVED FOR SERVICING OF UNIT, THEY SHOULD BE REPLACED TO PROPERLY SECURE YOUR WIRING

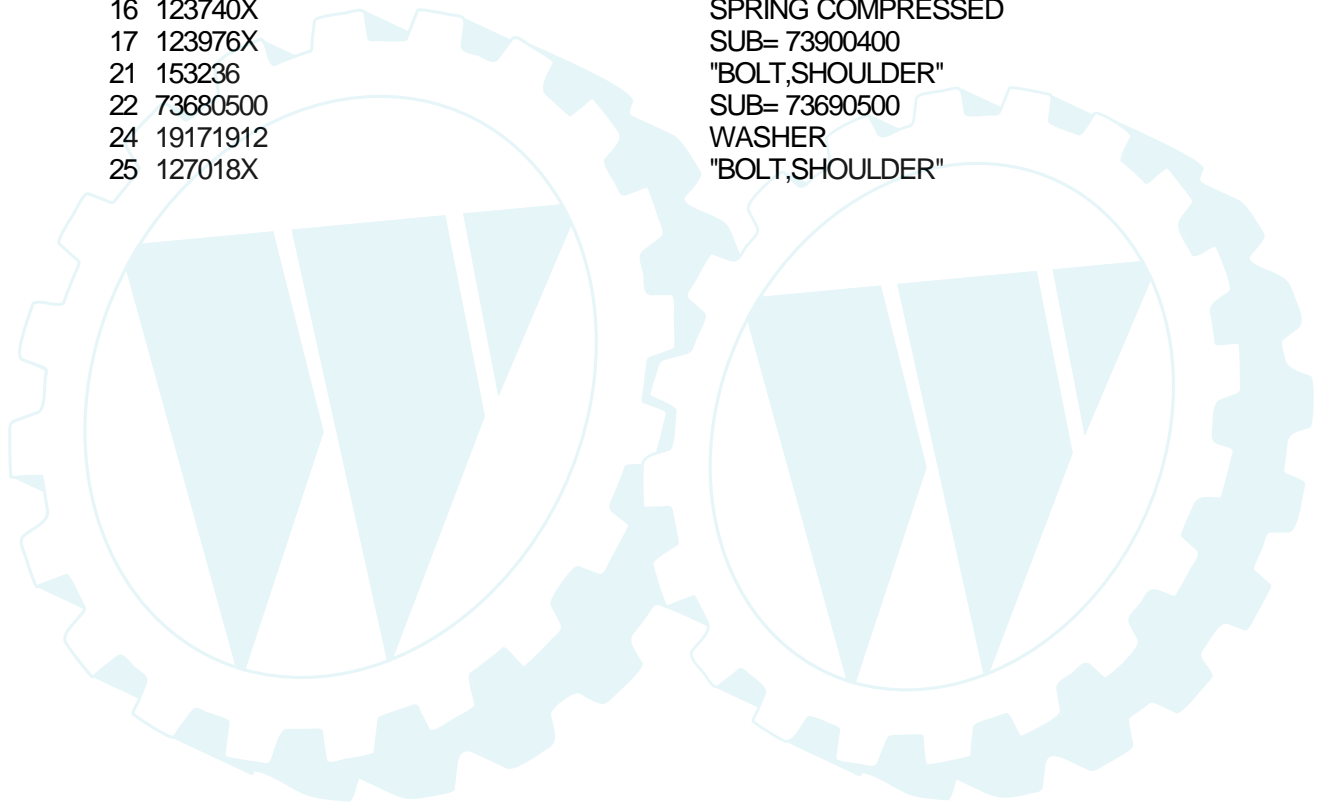
TRACTOR - - MODEL NUMBER CTH14542J

SEAT

NOTE: All component dimensions given in U.S. inches.
1 Inch = 25.4 mm

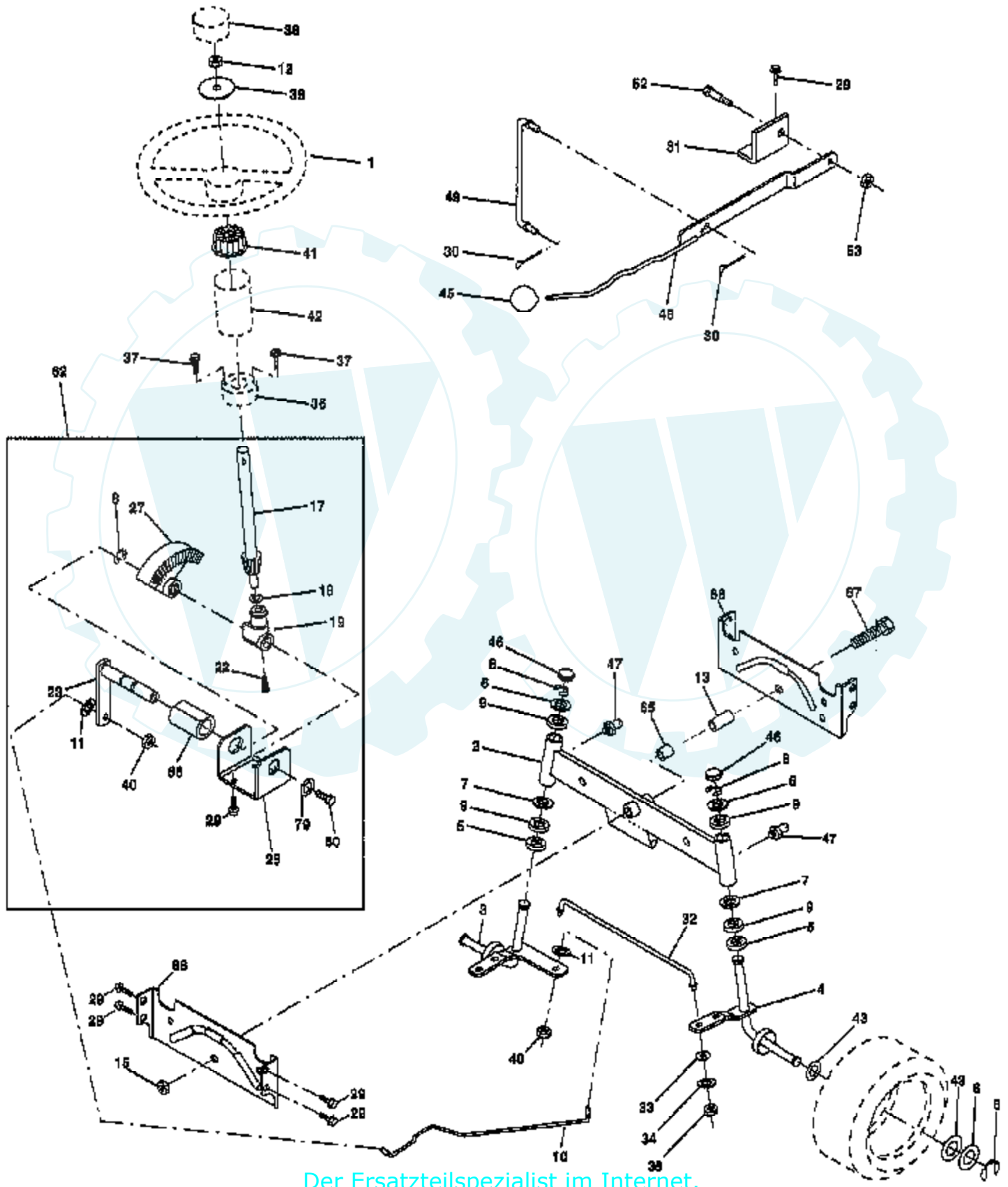


Ref #	Part Number	Qty	Description
1	127440		SUB= 140121
2	140551		BRACKET PVT SEAT
3	74760616		BOLT
4	19131610		WASHER PM
5	145006		CLIP.PUSH-IN.HING
6	73800600		NUT
7	124181X		SPRING COMPRESSIO
8	17490616		SCREW GTV
9	19131614		WASHER
10	155925		PAN-SEAT
11	166369		KNOB.SEAT.ADJ.WINGNUT
12	121246X		BRKT SWITCH
13	121248X		BUSHING
14	72050412		BOLT-RD HD SQ NK
15	121249X		SPACER SPLIT
16	123740X		SPRING COMPRESSED
17	123976X		SUB= 73900400
21	153236		"BOLT,SHOULDER"
22	73680500		SUB= 73690500
24	19171912		WASHER
25	127018X		"BOLT,SHOULDER"



TRACTOR - - MODEL NUMBER CTH14542J

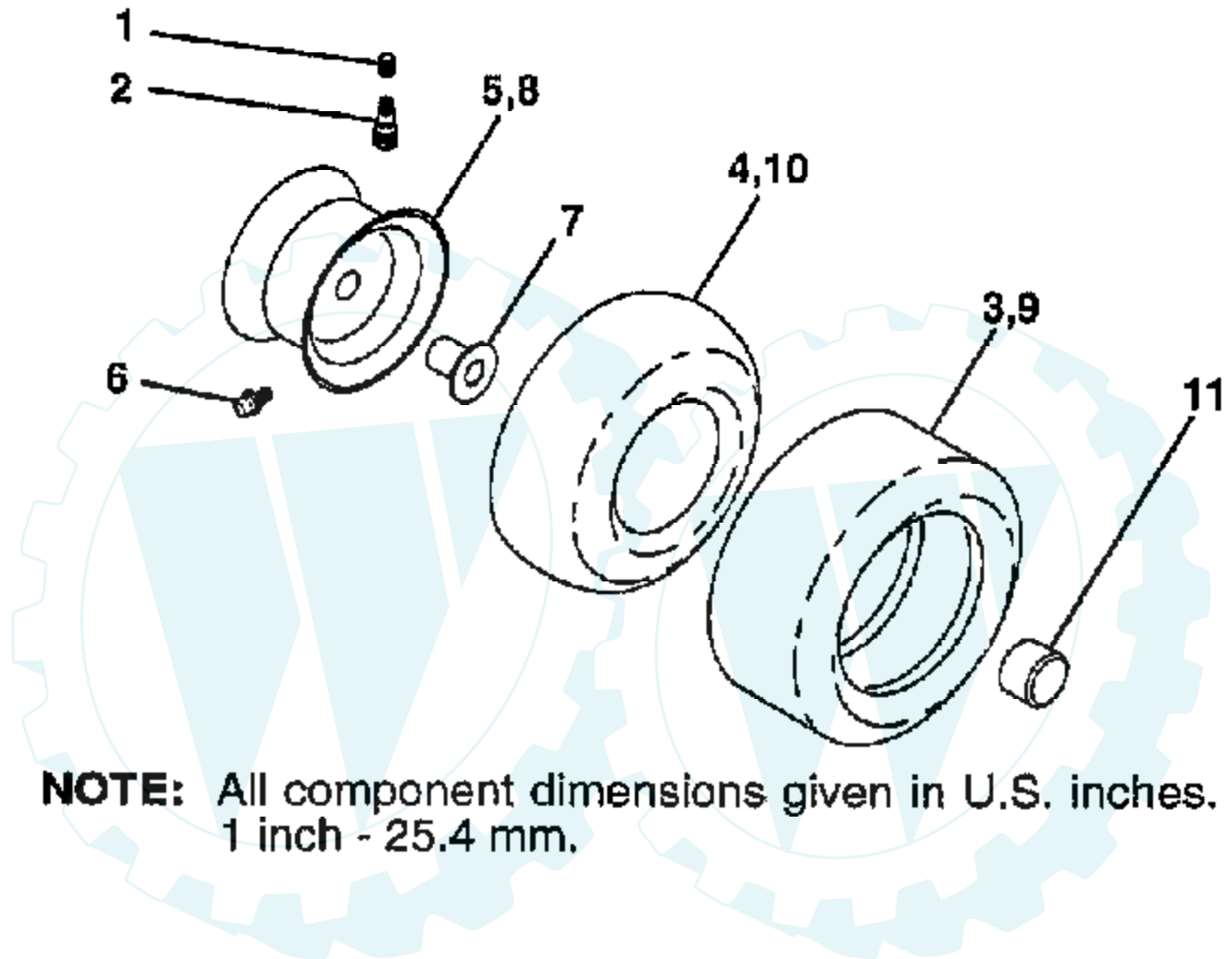
STEERING ASSEMBLY



Ref #	Part Number	Qty	Description
1	140044		WHEEL STR AYP BLK
2	154427		AXLE ASM
3	156483		SPINDLE.ASM.LH
4	157473		"SPINDLE ASM,RH"
5	6266H		WASHER .T
6	121748X		WASHER
7	19272016		WASHER
8	12000029		RING
9	3366R		COL. SRTG. BEAR.
10	156438		DRAGLINK-STAMPED
11	10040600		LOCKWASHER
12	73940800		SUB= 73360800
13	154779		BEARING AXLE
15	73901000		"NUT-LOC,FLANGE LT"
17	156543		SHAFT ASM STEERNG
18	57079		THRUST WASHER
19	160395		SUPPORT.SHAFT.STEER
22	165857		SCREW.HX.WSH.HD
23	165871		SHAFT ASSY
25	154406		BRKT-STEERING
27	136874		GEAR SECTOR
29	17490612		SCREW
30	76020412		COTTER PIN
31	138171		BRKT.PVT.MAN.LVR.
32	139929		ROD.TIE.19.75
33	19111216		WASHER M
34	10040500		LOCKWASHER
35	73810500		NUT.LOCK.5/16-24
36	145207		BUSHING.STRG.3/4
37	152927		"SCREW-TT,10-32 FL"
38	140045		CAP STEER AYP
39	100712K		WASHER
40	7810H		GRIPCO NUT
41	100711L		ADAPTER LT
42	140216		BOOT SHAFT STEER
43	121749X		WASHER
45	106933X		KNOB T (1/2-HOLE)
46	121232X		CAP
47	6855M		ZERK M
48	146841		LEVER.ASM.CLUTCH
49	131291		LINK CLTCH W/NUTS
52	106451X		"BOLT, SHOULDER LT"
53	73680600		SUB= 73690600
62	167902		KIT.STEER.ASM
65	154780		SPACER AXLE
66	154404		"BEARING-ARM,PITMA"
67	74781044		BOLT
68	154429		BRACE AXLE
79	19132012		WASHER
80	74950612		BOLT.HX.NYLON3/8-16X3/

TRACTOR - - MODEL NUMBER CTH14542J

WHEELS & TIRES



NOTE: All component dimensions given in U.S. inches.
1 inch - 25.4 mm.

Ref #	Part Number	Qty	Description
1	59192		VALVE CAP
2	65139		VALVE STEM LT
3	106222X		SUB= 122073X
4	PARTSIMAGE		REFER TO PARTS IMAGE
4	59904		TUBE.5.3/4.5/6
5	106732X421		RIM.FRONT.6.YELLO
6	278H		FITTING LT
7	9040H		"FLANGE, BEARING"
8	106108X421		SUB= 106108X416
9	122082X		SUB= 918122082X
10	7152J		TUBE.18X9.5-8
11	104757X		HUB CAP

