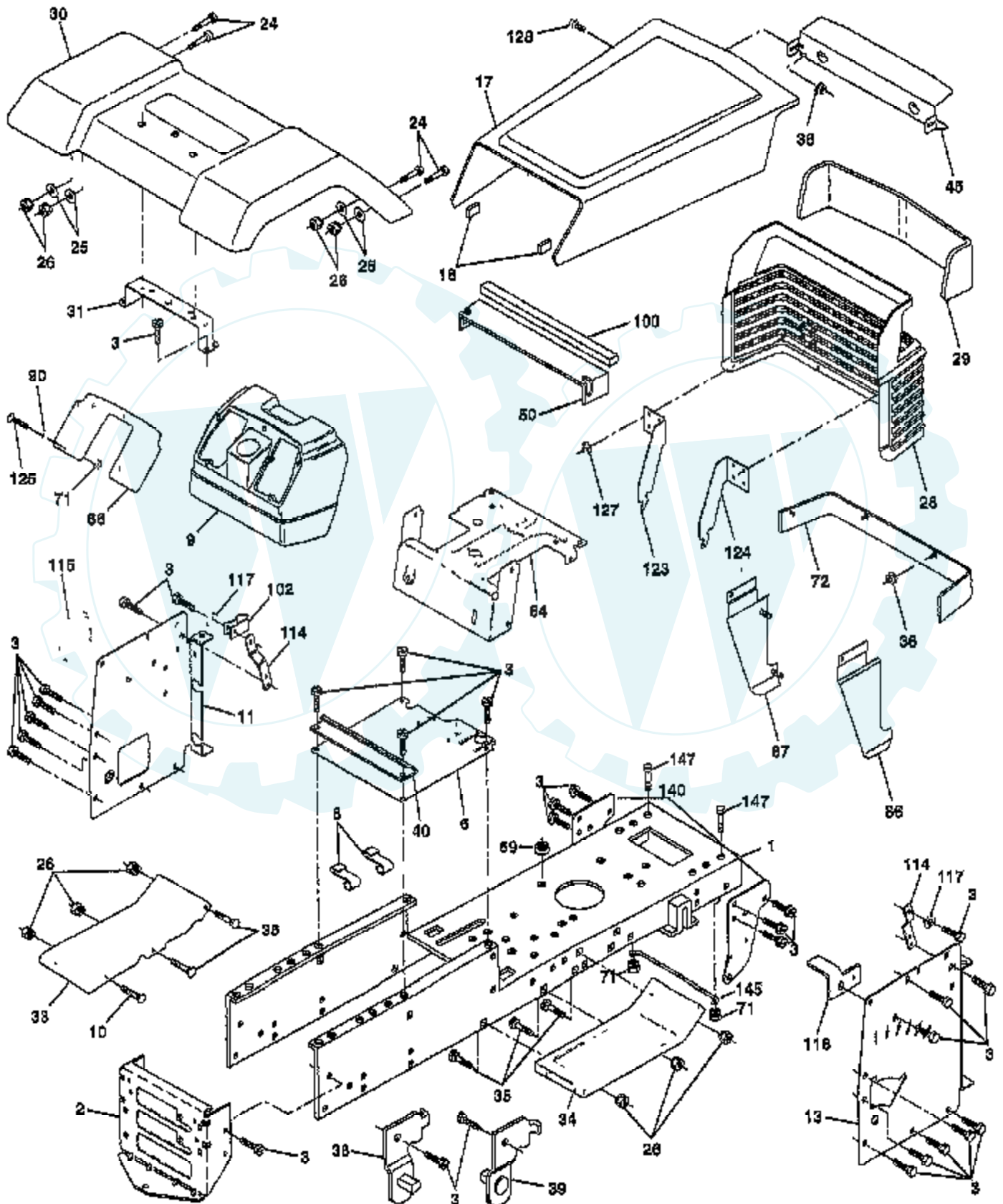


TRACTOR - - MODEL NUMBER CTH14542F

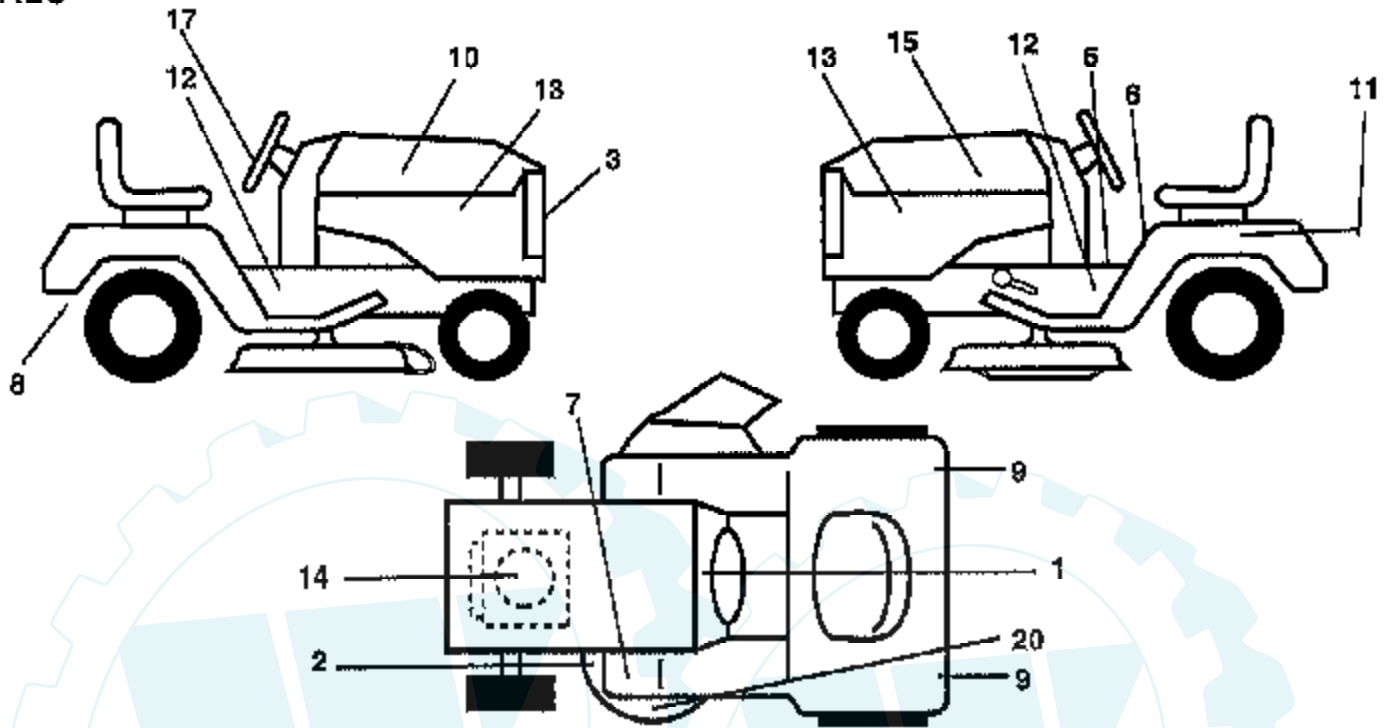
CHASSIS



Ref #	Part Number	Qty	Description
1	159530		CHASSIS ASM
2	140356		SUB= 145009
3	17490612		SCREW
6	155923		SADDLE
8	126471X		"CLIP,INSULATOR"
9	145203		DASH.PLASTIC.BLK
10	72140608		SUB= 72110608
11	145218		PANEL.DASH.LH.
13	145217		PANEL.DASH.RH.
17	123801X550		HOOD/GRILLE ASM
18	126938X		SUB= 532126938
24	74780616		BOLT
25	19131312		WASHER
26	73800600		NUT
28	140671		GRILLE ASM WELD
29	110898X		LENS T
30	147310X550		FENDER
31	139976		BRACKET SUPT FEND
33	145244X550		FOOTREST.LH.LT/GT
34	145243X550		FOOTREST.RH.LT/GT
35	72110606		BOLT
36	108067X		PAL NUT LT
38	139886		BRACKET ASM LH
39	139887		BRACKET ASM RH
40	139977		SPACER FENDER LT
45	132257		SUB= 918132257
50	124046X		"BAFFLE,HOOD"
59	110436X		SUB= 9151R
64	150272		DASH.LOWER.LT
66	156277X011		PLATE SLKSCR.OM
71	73680400		SUB= 73690400
72	110350X550		STRAP FENDER ASM
86	123764X550		PANEL SIDE RH ASM
87	123765X550		PANEL SIDE LH ASM
90	19091216		WASHER PM
100	109458X		FOAM STRIP T
102	2751R		CLIP T
114	145349		BRACKET.SUPT.DASH
115	121794X		COVER ACCESS
117	144283		WASHER.SERRATED.
118	145595		BRACKET.CLUTCH.MC
123	149037		BRACKET.PICK.LH.
124	149036		BRACKET.PICK.RH.
125	74180412		SCREW
127	120579X		PAL NUT
128	124201X		SCREW SPECIAL
140	158418		BRKT SUSPENSION
145	156524		"ROD POVOT,CHASSIS"
147	74760412		BOLT LT
	5479J		PLUG BUTTON T

TRACTOR - - MODEL NUMBER CTH14542F

DECALS

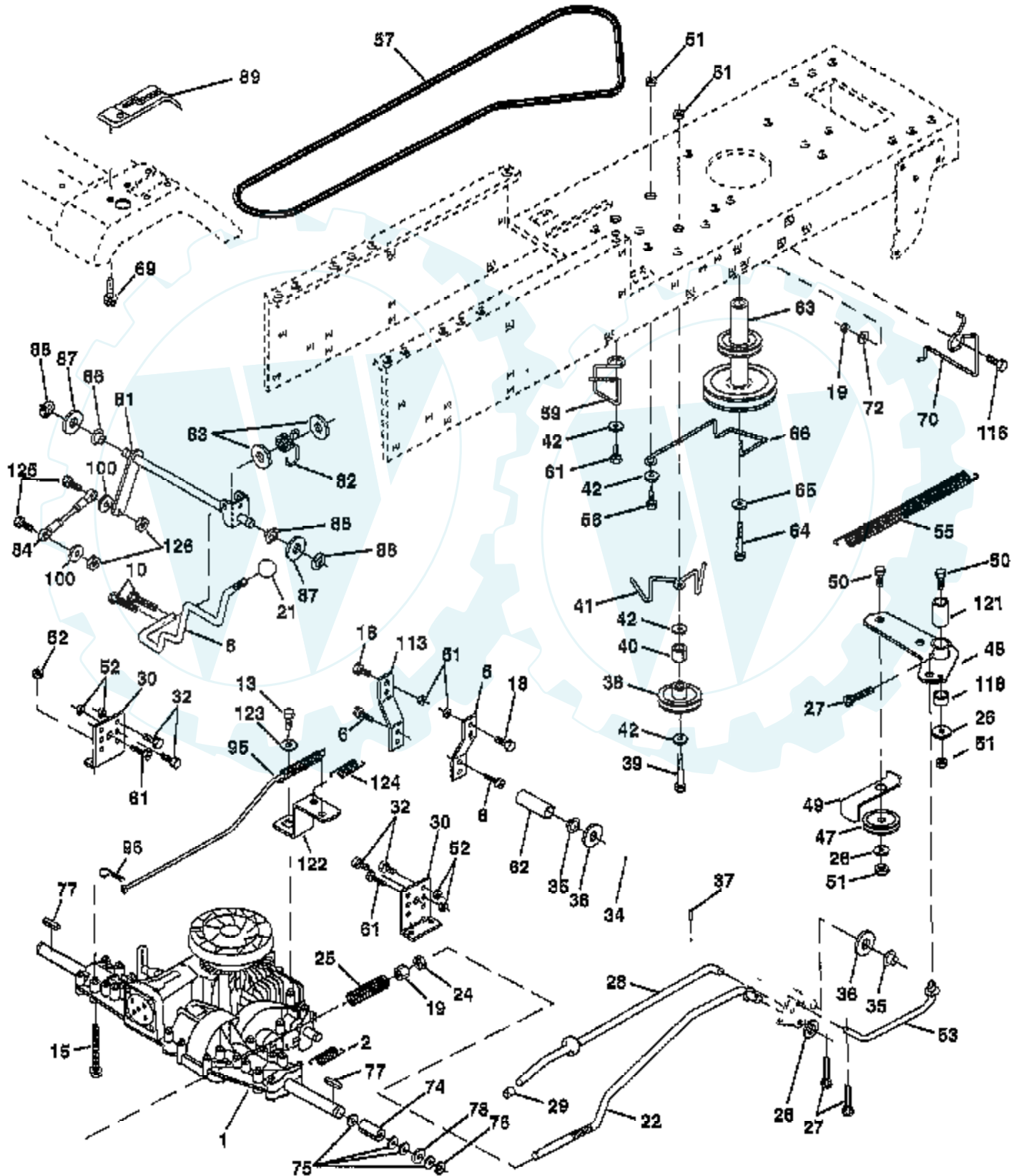


NOTE: All component dimensions given in U.S. inches.
1 inch - 25.4 mm.

Ref #	Part Number	Qty	Description
1	156835		"DECAL-INST,OPER"
2	136832		DECAL
3	158889		DECAL GRILLE
5	140837		DECAL BRAK PARK
6	157002		"DECAL DANGER,FEND"
7	4900J		DECAL T
8	142341		DECAL DRAWBAR LH
9	106202X		REFLECTOR-TAIL YT
10	159284		DECAL HOOD RH
11	145005		DECAL.BATRY.3-3908
12	159288		"DECAL CHASSIS 42""
13	159287		DECAL SIDE PANEL
14	272991		DECAL, ENGINE
15	159285		DECAL HOOD LH
17	158887		DECAL INST STG WH
20	134999		"DECAL,ENVIRO DECK"
	138311		DECAL HANDLE LIFT
	133671		FOOTREST PAD
	158124		MANUAL.GENERIC.42
	160493		MANUAL.P.CTH14542F.E
	C42		GRASS CATCHER
	LC05		WHEEL WTS.
	MK420		MULCHING KIT W/BLADES
	LSB42		SNOW THROWER
	LBD48		SNOW BLADE
	LC06		TIRE CHAINS

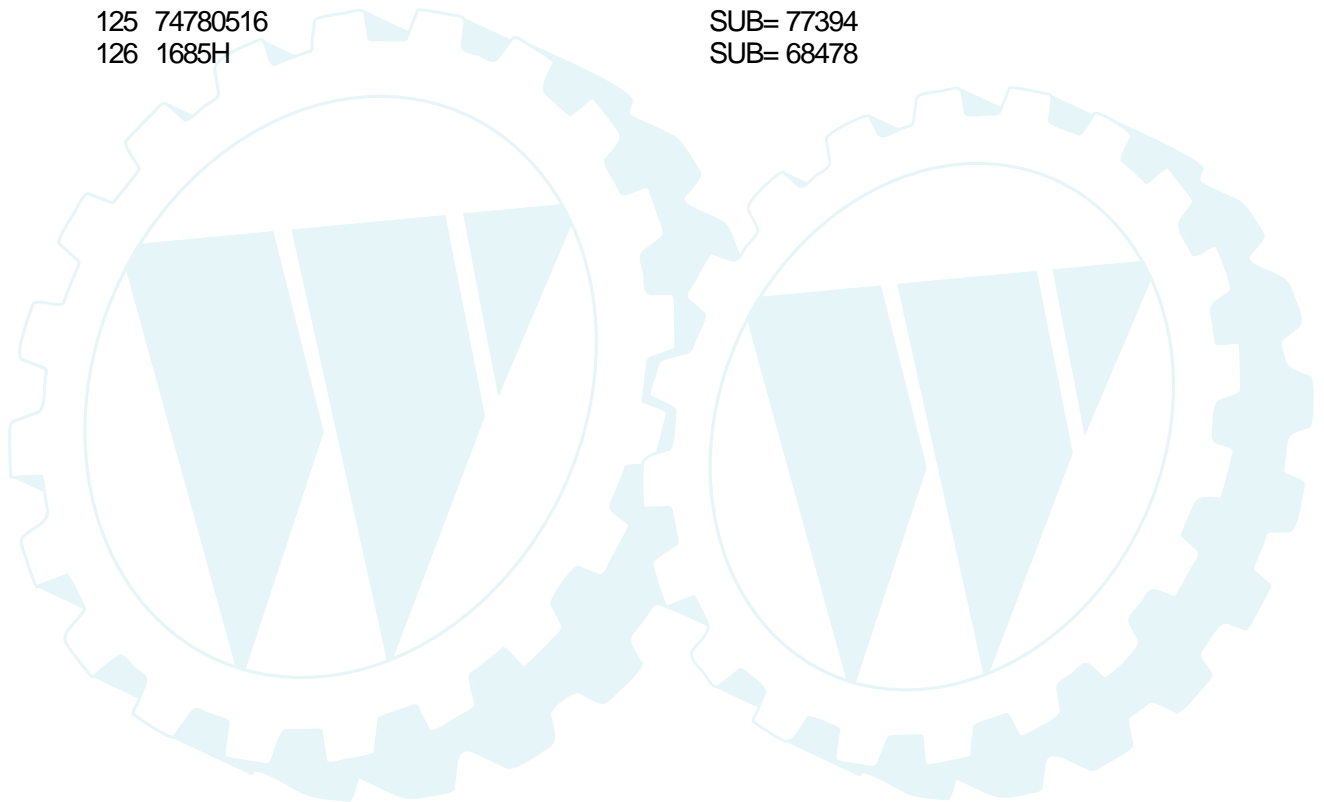
TRACTOR - - MODEL NUMBER CTH14542F

DRIVE



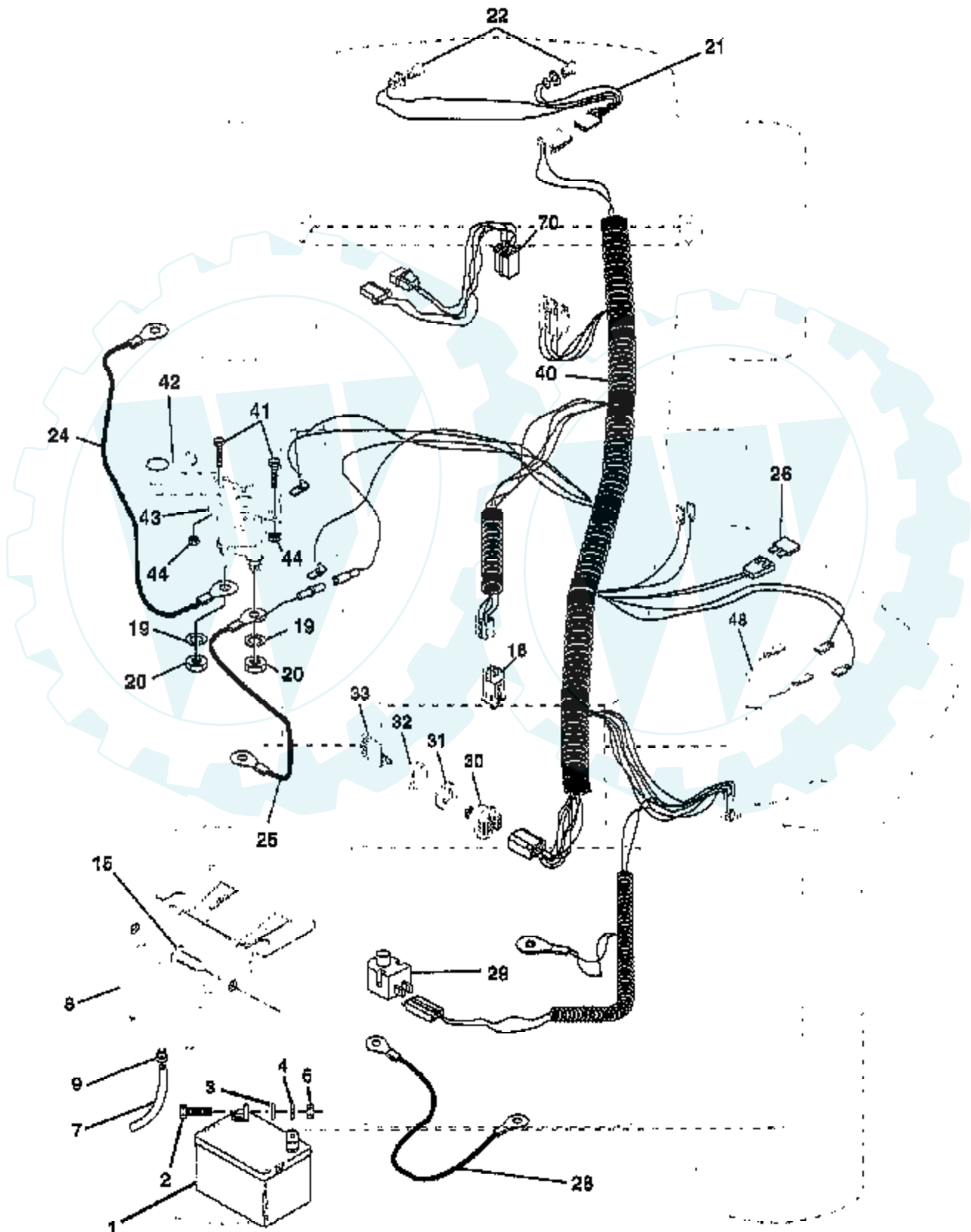
Ref #	Part Number	Qty	Description
1	205-026B		TRANSAXLE, PEERLESS
2	146682		SPRING.BRAKE.RETU
5	121520X		STRAP TORQUE
6	17490512		SCREW
8	141003		ROD SHIFT FEND LT
10	76020416		PIN COTTER 1/8
13	74550412		BOLT.1/4-28.W/PAT
15	74490544		BOLT.HX.FLG.5/16
18	74780616		BOLT
19	73800600		NUT
21	140845		KNOB DLX BLK/BLK
22	130804		BRAKE ROD
24	73350600		NUT
25	106888X		SPRING ROD LT
26	19131316		WASHER
27	76020412		COTTER PIN
28	145204		ROD.BRAKE.PARK.LT
29	71673		PLUNGER CAP T
30	130807		TRANSAXLE MTG BKT
32	74760512		BOLT
34	155071		SHAFT ASM-PEDAL F
35	120183X		NYLON BEARING
36	19211616		WASHER LT
37	1572H		SUB= 2882J
38	123674X		PULLEY.IDLER.FLAT
39	74760644		BOLT
40	4470J		SPACER T
41	154777		SUB= 165692
42	19131312		WASHER
47	127783		SUB= 139245
48	154604		BELLCRANK ASM
49	123205X		RETAIN BELT
50	74760624		SUB= 74930624
51	73680600		SUB= 73690600
52	73680500		SUB= 73690500
53	105710X		"LINK, CLUTCH T"
55	105709X		"SPRING, RETURN LT"
56	74760620		SUB= 74780620
57	156971		"V-BELT,GRD DRIVE"
59	140312		KEEPER BELT CNTSP
61	17490612		SCREW
62	8883R		PEDAL COVER T
63	140186		PULLEY.ENGINE
64	71170764		BOLT
65	10040700		LOCKWASHER
66	154778		KEEPER-BELT
69	142432		SCREW HEXWSH H-L
70	134683		KEEPER BELT ENG
72	19132012		WASHER
74	156972		"SPACER AXLE,PVST"
75	121749X		WASHER
76	12000001		E-RING LT
77	123583X		SQUARE KEY
78	121748X		WASHER
81	156969		SHAFT ASM CROSS
82	123782X		"SPRING,TORSION"
83	19171216		WASHER
84	156962		"ROD TIE, PVST 20"

Ref #	Part Number	Qty	Description
86	71208		BUSHING
87	19212016		WASHER D
88	12000008		KLIP RING
89	151147		SUB= 164893
95	156970		ROAD ASM BYPASS
96	4497H		RETAINER M
100	19111216		WASHER M
113	127285X		"STRAP,TORQUE"
116	72110610		BOLT RDHD 3/8-16
118	154774		SPACER-BELLCRANK
121	154419		NYLINER-CLUTCHING
122	156963		"PLATE-BYPASS,PVST"
123	19091016		WASHER
124	156967		SPRING RETURN
125	74780516		SUB= 77394
126	1685H		SUB= 68478



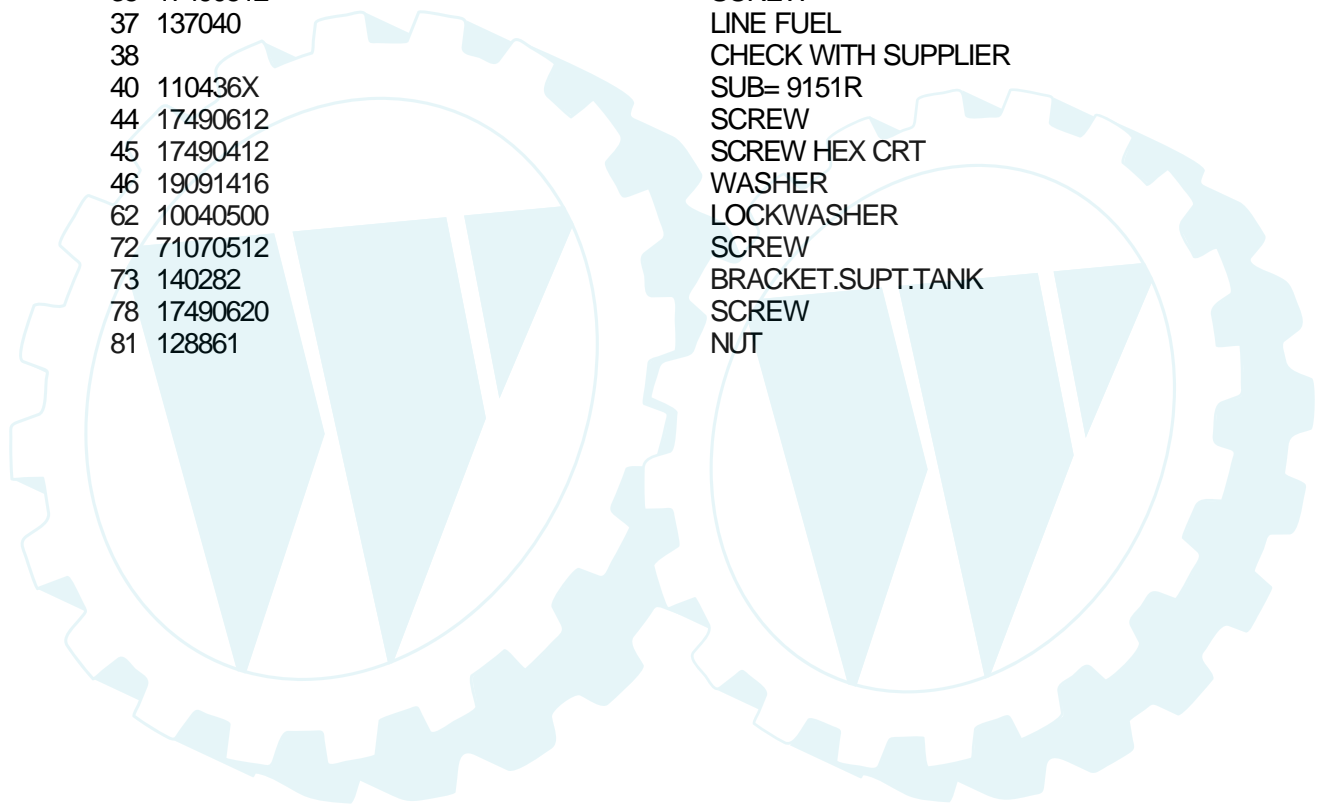
TRACTOR - - MODEL NUMBER CTH14542F

ELECTRICAL



Ref #	Part Number	Qty	Description
1	144925		SUB= 123899X
2	74760412		BOLT LT
3	19091016		WASHER
4	10040400		LOCKWASHER
6	73220400		SUB= 50675
7	109238X		TUBE T
8	156417		"CASE,BATTERY.MECH"
9	109596X		HOSE CLAMP T
15	147688		FASTNER.SNAP-IN
16	153664		SWITCH INTERLOCK
19	10090400		SUB= 10040400
20	73350400		NUT
21	136850		"HARNES,LIGHT SOC"
22	4152J		HEADLAMP BULB
24	148009		CABLE.BTRY.6GA.38
25	146136		CABLE.BTRY.6GA.RD
26	108824X		FUSE HYT
28	4207J		CABLE T
29	121305X		SWITCH SEAT
30	140301		SWITCH IGN 4POS
31	124211X		NUT IGNITION
32	141226		COVER KEY SWITCH
33	122147X		KEY
40	156149		HARNES IGNITION
41	71110408		BOLT HXHD FIN
42	131563		SUB= 154336
43	145673		SUB= 146154
44	73640400		NUT HXKEP 1/4X20
48	140844		ADAPTER AMMETER
70	140422		HARNES.ENG.DUAL

Ref #	Part Number	Qty	Description
1	143893		CONTROL.THTL.19.6
2	17720410		SCREW LT
3	287707		ENGINE B&S
4	137352		MUFFLER
13	272293		GASKET ENG 1 313 LD TIN PLATED
14	13280324		PIPE NIPPLE
15	13200300		ELBOW
16	11050600		LOCKWASHER
23	156123		SHIELD-HEAT
29	137180		SUB= 532137180
31	140280		SUB= 161911
32	140527		CAP ASM FUEL
33	123487X		HOSE CLAMP
35	17490512		SCREW
37	137040		LINE FUEL
38			CHECK WITH SUPPLIER
40	110436X		SUB= 9151R
44	17490612		SCREW
45	17490412		SCREW HEX CRT
46	19091416		WASHER
62	10040500		LOCKWASHER
72	71070512		SCREW
73	140282		BRACKET.SUPT.TANK
78	17490620		SCREW
81	128861		NUT

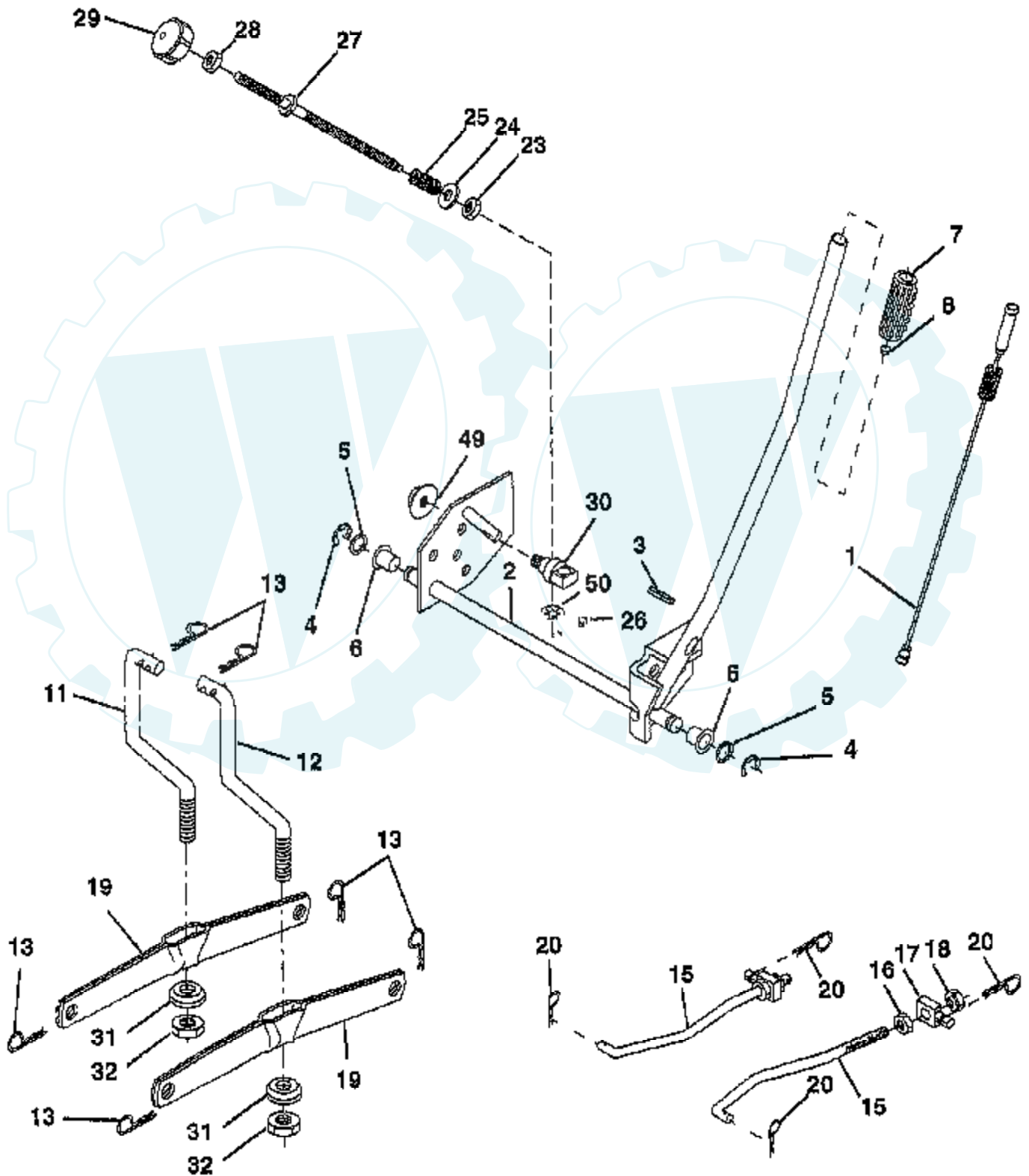


Ref #	Part Number	Qty	Description
1	144393		DECK.WELD.42.
2	72140506		BOLT
3	138017		BRKT ASM SWAY BAR
4	138440		BRKT DECK SW BAR
5	4939M		SUB= 85902
6	130832		SUB= 130833
8	850857		BLADE BOLT
9	10030600		SUB= 10040600
10	140296		WASHER.HARD.BLADE
11	138498		"BLADE.42"" HIPERF"
12	129895		BEARING.BALL
13	137645		SUB= 137646
14	128774		HSG ASM MANDREL
15	110485X		BEARING
16	140329		STRIPPER RND MWR
17	72110610		BOLT RDHD 3/8-16
18	72140505		BOLT
19	132827		BOLT SHD 5/16-18
20	136888		SUB= 918136888
21	73680500		SUB= 73690500
22	134753		STIFFENER BRKT
23	131267		DEFLECTOR BRKT
24	105304X		CAP-SLEEVE LT
25	123713X		SPRING TORSION
26	110452X		NUT PUSH M
27	130968		DEFLECTOR.SHIELD
28	19111016		WASHER
29	131491		HINGE ROD
30	157722		"SCREW-THD ROLL,WA"
31	129963		WASHER
32	153535		PULLEY.MANDREL.42
33	137266		SUB= 139729
34	72110614		BOLT
35	133835		XMAS TREE FASTNER
36	131494		FLAT IDLER PULLEY
37	19131316		WASHER
40	73680600		SUB= 73690600
41	133551		PIVOT ROD
43	140083		ROD CLUTCH W/NIBS
44	140088		GUARD MAND LH BLK
45	4497H		RETAINER M
46	137729		SCREW.1/4-20X5/8
48	133944		HARD SMALL WASHER
49	155066		ROLLER ASM-CAM
50	131340		SHOULDER BOLT
51	69180		LOCKNUT
52	139888		BOLT.SHLD.5/16-18
53	131845X900		SUB= 131845
54	133943		HARDENED WASHER
55	155046		ARM-IDLER
56	122052X		SPACER RETAINER
58	140086		SPRING TORSN BRAK
59	141043		GUARD IDLER TUV
68	144200		BELT.V.T-PATH
71	142427		ROD CLUTCH 38/42
72	146927		SPRING.EXT.RETURN
73	127847		CLUTCH ARM SECOND
74	121748X		WASHER

Ref #	Part Number	Qty	Description
75	12000029		RING
76	128903		SHOULDER BOLT
77	127845		SPRING KEEPER
78	154808		LEVER ASM CLUTCH
79	127498		BUSHING
80	153701		SPRING.CLUTCH.MWR
81	73350600		NUT
82	142028		TRUNION ADJ
83	120958X		WASHER
84	156084		"KEEPER-BELT,FIXED"
85	72140618		BOLT RDHD 3/8-16
90	74760616		BOLT
91	132274		SUB= 532132274
92	73800600		NUT
93	19171416		WASHER
94	132264		SUB= 532132264
95	132273		SUB= 532132273
111	155197		BRACKET.GWHL.LH.
112	155198		BRACKET.GWHL.RH.
113	17490512		SCREW
114	73510500		NUT
115	72110504		SUB= 872110504
116	146851		BOLT.SHOULDER
117	146850		WHEEL.GUAGE.MED.
118	73930600		LOCKNUT
119	19121414		WASHER
120	19171516		WASHER T
121	143723		BRACKET.EXTRD.GWL
128	153390		WASHER.FELT.
132	19132203		WASHER GT
	130794		MANDREL ASM
	144783		SUB= 164962

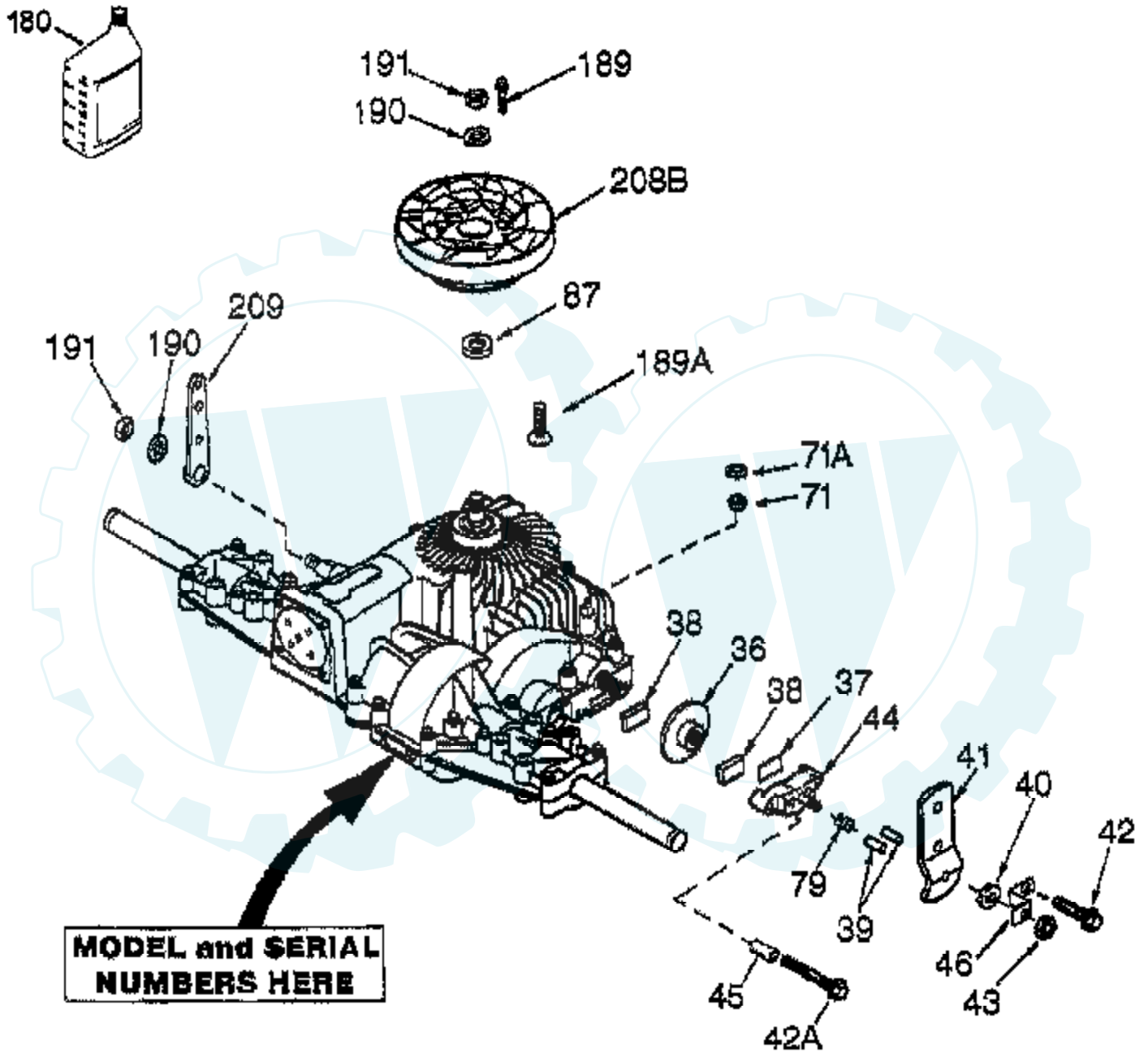
TRACTOR - - MODEL NUMBER CTH14542F

MOWER LIFT

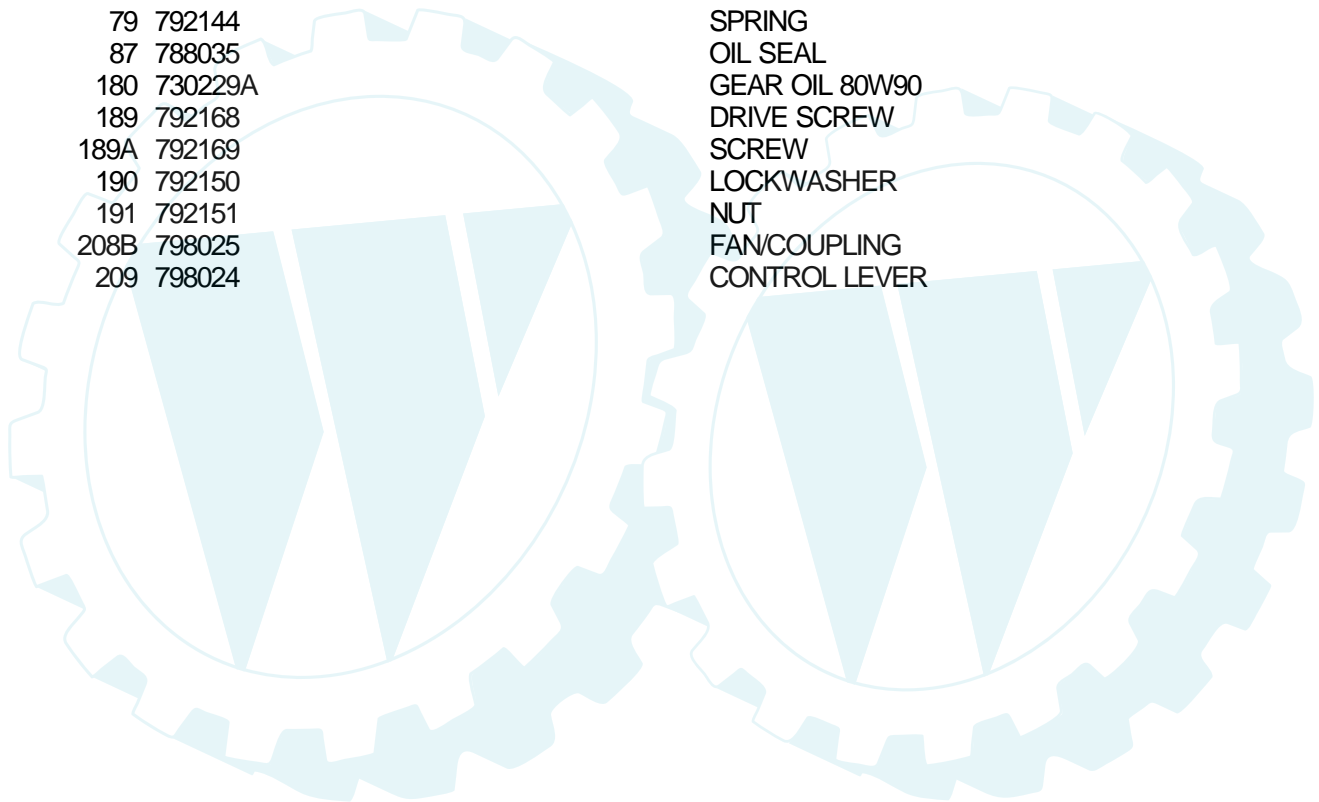


Ref #	Part Number	Qty	Description
1	159461		WIRE.ASM.INNER.SP
2	159476		"SHAFT AMS LIFT,RH"
3	138284		PIN GROOVE
4	12000002		SUB= 2225J
5	19211621		WASHER
6	120183X		NYLON BEARING
7	109413X		GRIP
8	124526XX		BUTON PLUNGER
11	139865		SUB= 918139865
12	139866		SUB= 151140
13	4939M		SUB= 85902
15	127218		LINK.FRONT
16	73350800		NUT
17	130171		TRUNION
18	73800800		NUT.LK.W/WSH.1/2.
19	139868		ARM SUSP REAR
20	3146R		RETAINER.SPRING
23	110807X		NUT T
24	19131016		WASHER
25	137150		SPRING.COMP.INF.H
26	76020308		SUB= 3145
27	137167		ROD.ADJ.LIFT
28	73350600		NUT
29	138057		KNOB INF 3/8-16
30	150233		TRUNNION
31	140302		BEARING PVT LH
32	73540600		NUT.CROWNLOCK.3/8
49	145212		NUT.HXFLG.LOCK.
50	110452X		NUT PUSH M

TRACTOR - - MODEL NUMBER CTH14542F
PEERLESS TRANSAXLE - MODEL NUMBER 205-026B

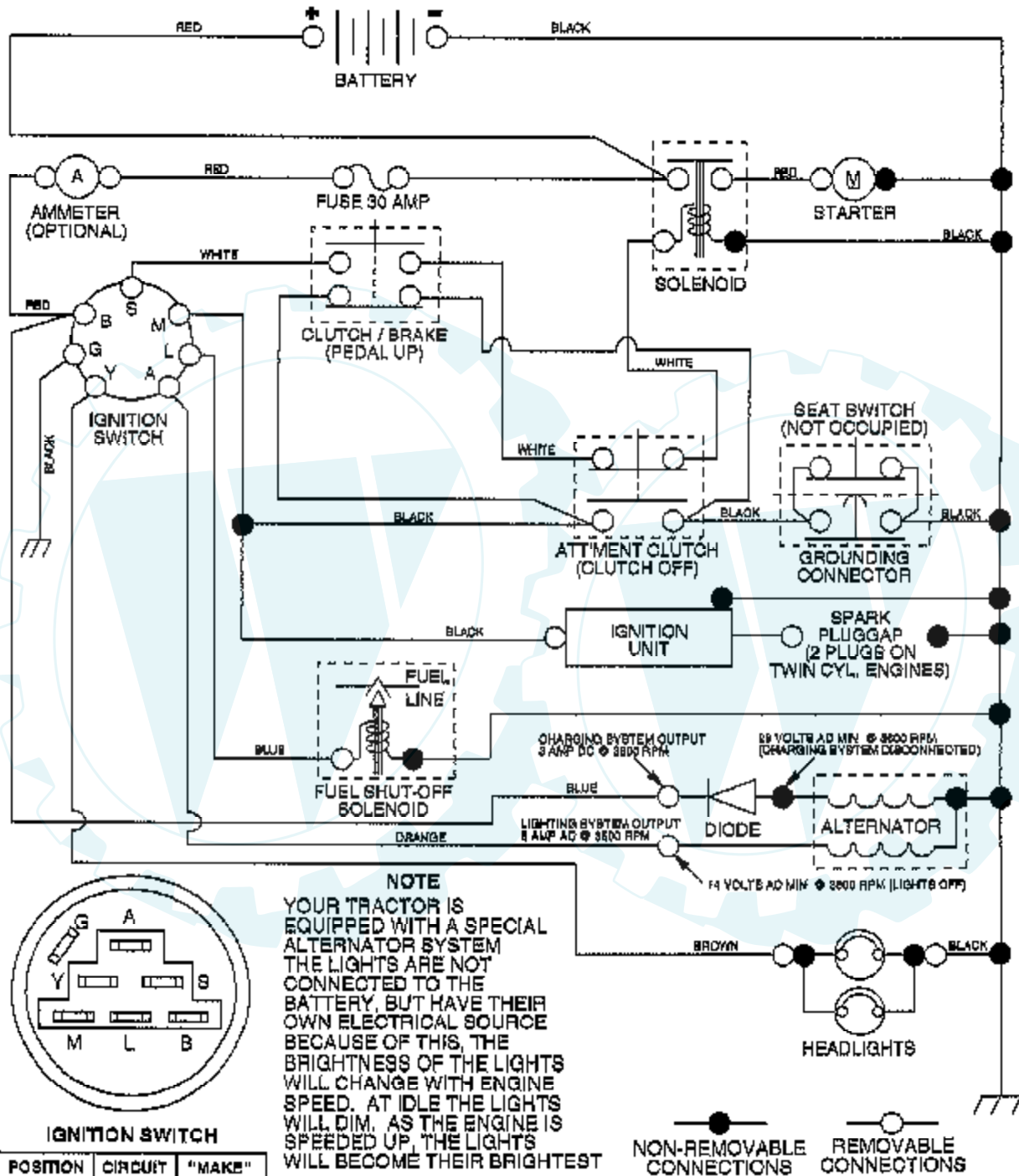


Ref #	Part Number	Qty	Description
36	790075		BRAKE DISC
37	790007		PLATE BRAKE PAD
38	799021		BRAKE PAD
39	786026		PIN DOWEL
40	792076A		WASHER
41	790085		BRAKE LEVER
42	792073		SCREW, 1/4-20 X 1-1/4
42A	792085A		SCREW, 1/4-20 X 2-1/4
43	792075		LOCKNUT 5/16-24
44	790025		HOLDER BRAKE PAD
45	786066		SPACER
46	790086		BRAKE LEVER BRACKET
71	788069		SEAL SQUARE CUT
71A	792162		PUSHNUT
79	792144		SPRING
87	788035		OIL SEAL
180	730229A		GEAR OIL 80W90
189	792168		DRIVE SCREW
189A	792169		SCREW
190	792150		LOCKWASHER
191	792151		NUT
208B	798025		FAN/COUPLING
209	798024		CONTROL LEVER



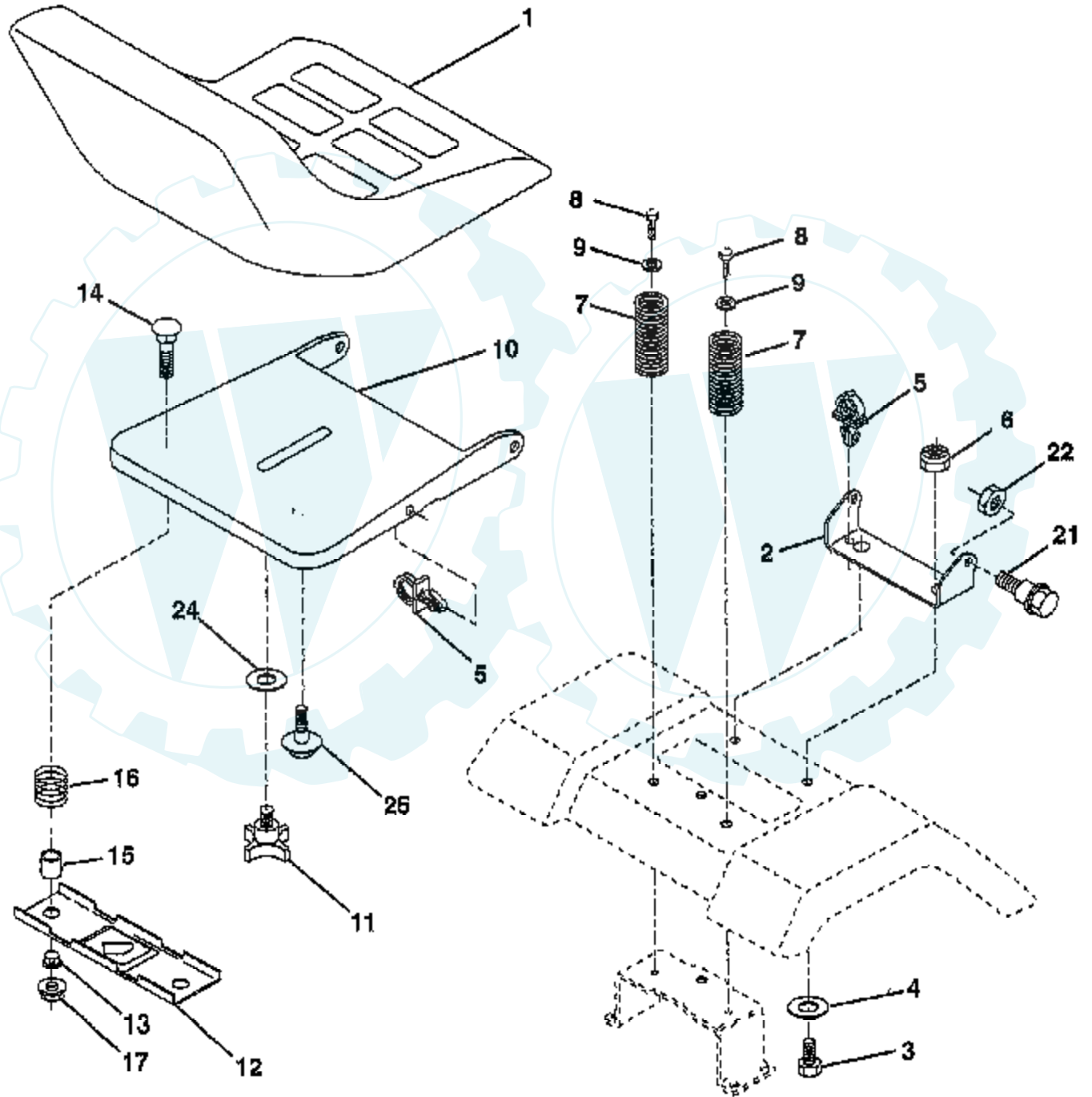
TRACTOR -- MODEL NUMBER CTH14542F

SCHEMATIC

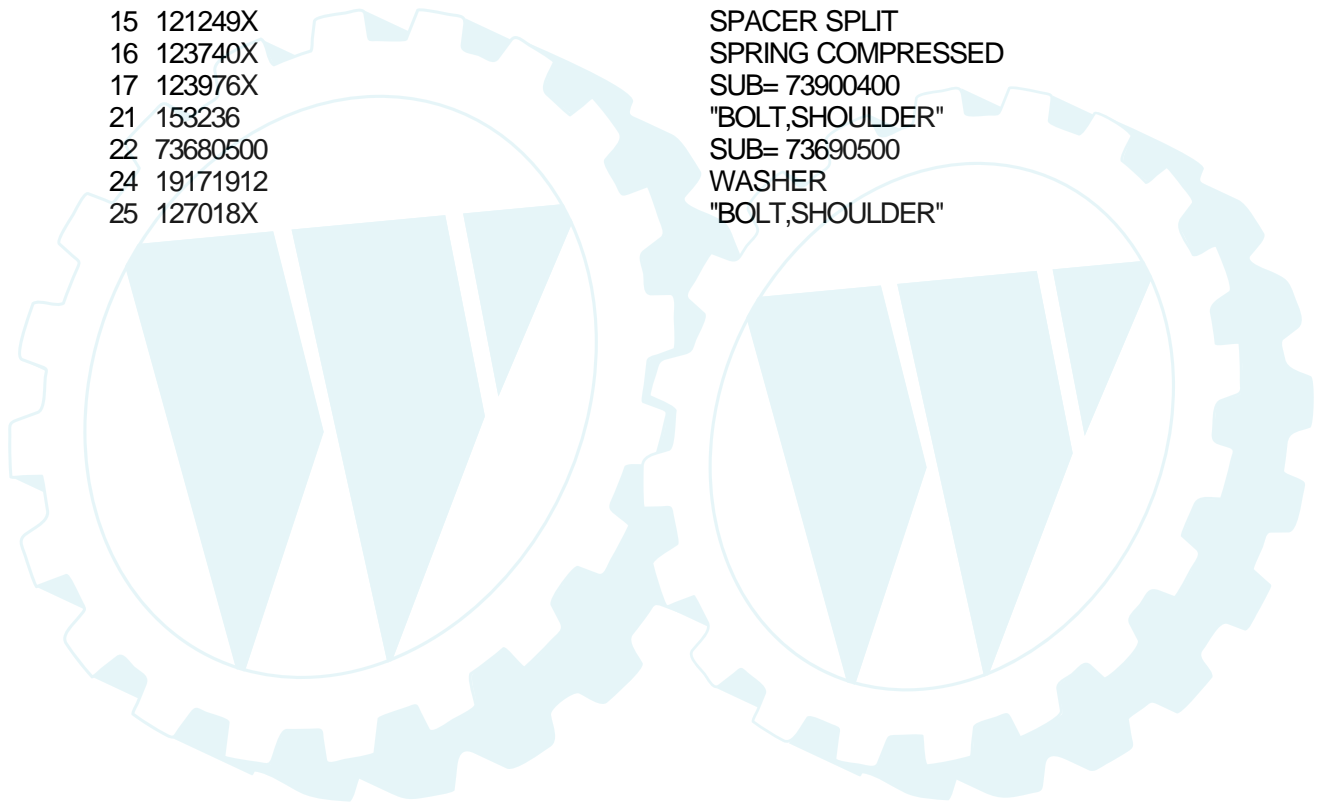


TRACTOR - - MODEL NUMBER CTH14542F

SEAT

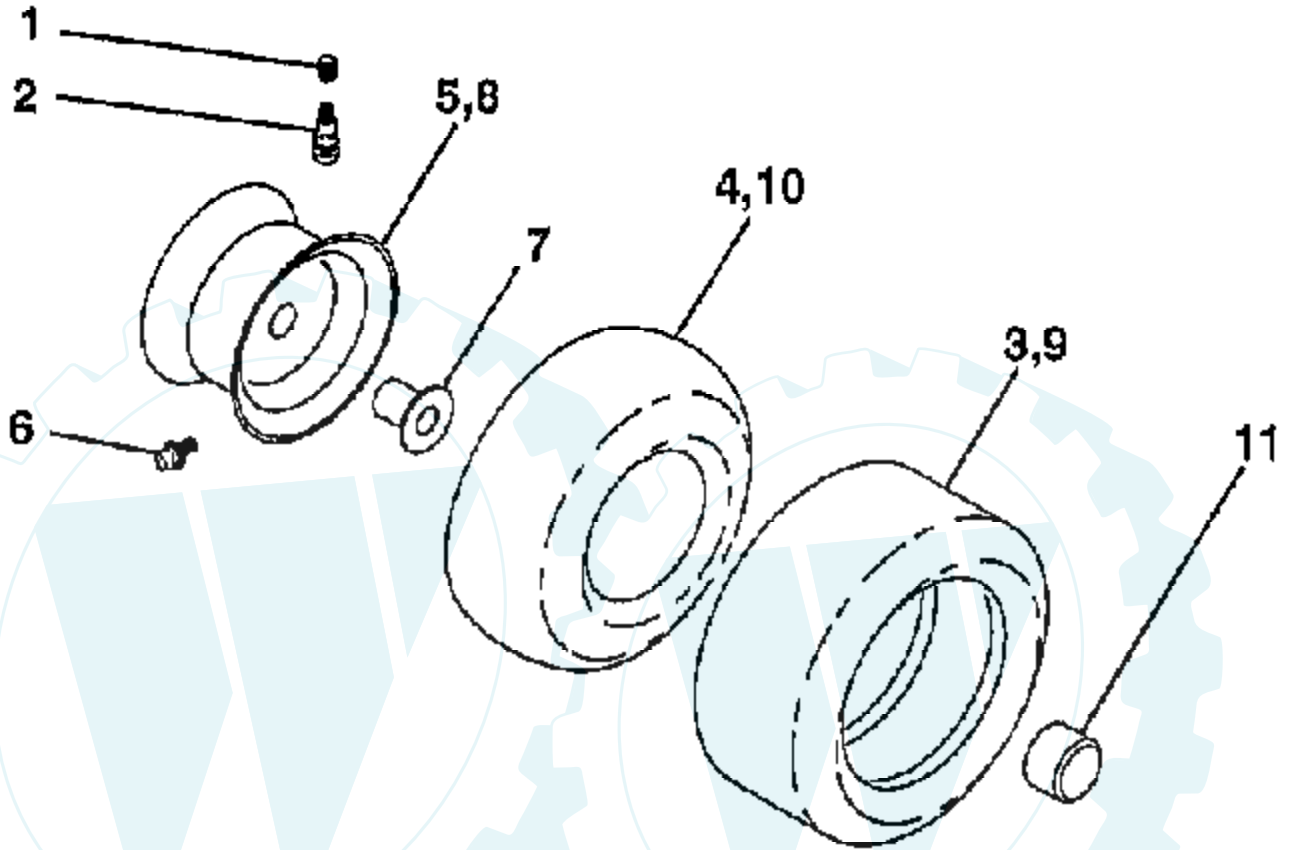


Ref #	Part Number	Qty	Description
1	127440		SUB= 140121
2	140551		BRACKET PVT SEAT
3	74760616		BOLT
4	19131610		WASHER PM
5	145006		CLIP.PUSH-IN.HING
6	73800600		NUT
7	124181X		SPRING COMPRESSIO
8	17490616		SCREW GTV
9	19131614		WASHER
10	155925		PAN-SEAT
11	120068X		"KNOB 1/2"" YT"
12	121246X		BRKT SWITCH
13	121248X		BUSHING
14	72050411		SUB= 872050411
15	121249X		SPACER SPLIT
16	123740X		SPRING COMPRESSED
17	123976X		SUB= 73900400
21	153236		"BOLT,SHOULDER"
22	73680500		SUB= 73690500
24	19171912		WASHER
25	127018X		"BOLT,SHOULDER"



Ref #	Part Number	Qty	Description
1	140044		WHEEL STR AYP BLK
2	154427		AXLE ASM
3	156483		SPINDLE.ASM.LH
4	157473		"SPINDLE ASM,RH"
5	6266H		WASHER .T
6	121748X		WASHER
7	19272016		WASHER
8	12000029		RING
9	3366R		COL. SRTG. BEAR.
10	156438		DRAGLINK-STAMPED
11	10040600		LOCKWASHER
12	73940800		SUB= 73360800
13	110438X		BEARING
15	73901000		"NUT-LOC,FLANGE LT"
17	128758		STEERING SHAFT
18	57079		THRUST WASHER
19	124035X		SUPPORT.SHAFT
20	126684X		SUB= 532126684
22	71200410		SCREW HEX SOC1/4-
23	127501		SUB= 918127501
25	154406		BRKT-STEERING
27	136874		GEAR SECTOR
29	17490612		SCREW
30	76020412		COTTER PIN
31	138171		BRKT.PVT.MAN.LVR.
32	139929		ROD.TIE.19.75
33	19111216		WASHER M
34	10040500		LOCKWASHER
35	73810500		NUT.LOCK.5/16-24
36	145207		BUSHING.STRG.3/4
37	152927		"SCREW-TT,10-32 FL"
38	140045		CAP STEER AYP
39	100712K		WASHER
40	78104		NLA
41	100711L		ADAPTER LT
42	140216		BOOT SHAFT STEER
43	121749X		WASHER
45	106933X		KNOB T (1/2-HOLE)
46	121232X		CAP
47	6855M		ZERK M
48	146841		LEVER.ASM.CLUTCH
49	131291		LINK CLTCH W/NUTS
52	106451X		"BOLT, SHOULDER LT"
53	73680600		SUB= 73690600
62	156595		KIT STEERING ASM
65	154780		SPACER AXLE
66	154404		"BEARING-ARM,PITMA"
67	74781044		BOLT
68	154429		BRACE AXLE
69	160367		"SPACER BRCAE,AXLE"
70	747800636		BOLT, FIN HEX 3/8-16 UNC X 2-1/4

WHEELS & TIRES



NOTE: All component dimensions given in U.S. inches.
1 inch = 25.4 mm

Ref #	Part Number	Qty	Description
1	59192		VALVE CAP
2	65139		VALVE STEM LT
3	106222X		SUB= 122073X
4	59904		TUBE.5.3/4.5/6
5	106732X421		RIM.FRONT.6.YELLO
6	278H		FITTING LT
7	9040H		"FLANGE, BEARING"
8	106108X421		SUB= 106108X416
9	122082X		SUB= 918122082X
10	7152J		TUBE.18X9.5-8
11	104757X		HUB CAP

