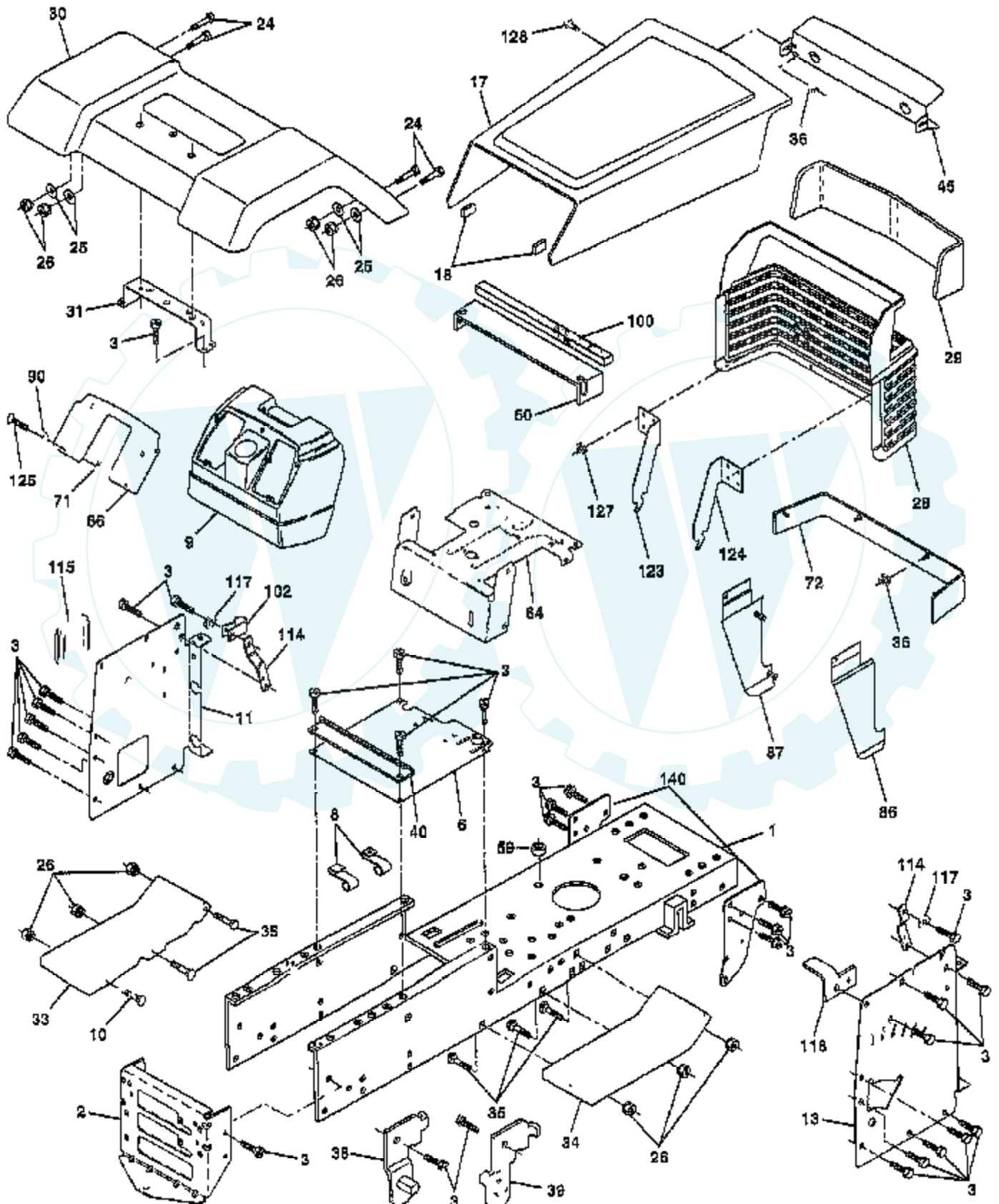


TRACTOR - - MODEL NUMBER CTH14542D

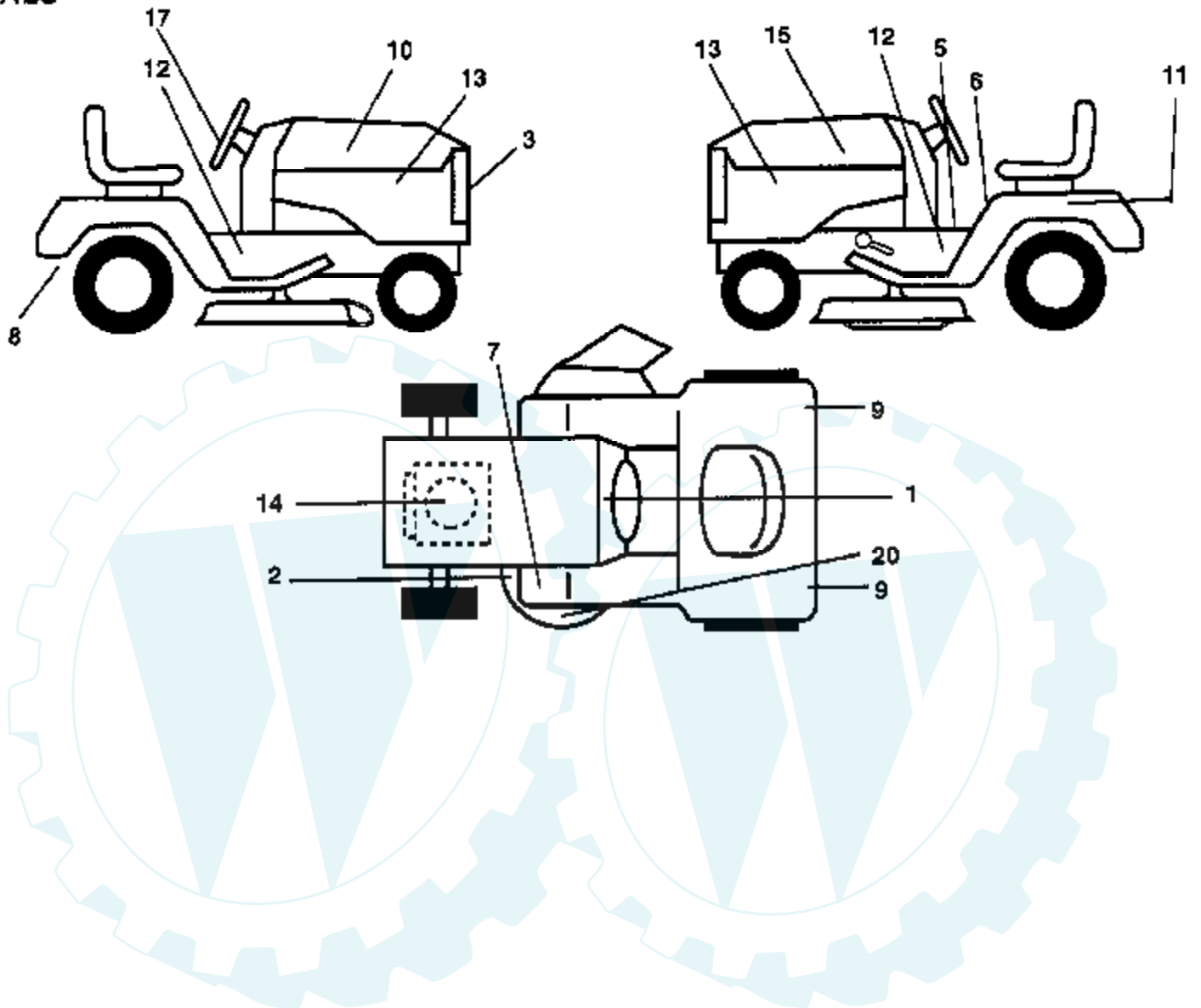
CHASSIS



| Ref # | Part Number | Qty | Description |
|-------|-------------|-----|-------------------|
| 1 | 155051 | | CHASSIS ASM |
| 2 | 140356 | | SUB= 145009 |
| 3 | 17490612 | | SCREW |
| 6 | 155923 | | SADDLE |
| 8 | 126471X | | "CLIP,INSULATOR" |
| 9 | 145203 | | DASH.PLASTIC.BLK |
| 10 | 72140608 | | SUB= 72110608 |
| 11 | 145218 | | PANEL.DASH.LH. |
| 13 | 145217 | | PANEL.DASH.RH. |
| 17 | 123801X550 | | HOOD/GRILLE ASM |
| 18 | 126938X | | SUB= 532126938 |
| 24 | 74780616 | | BOLT |
| 25 | 19131312 | | WASHER |
| 26 | 73800600 | | NUT |
| 28 | 140671 | | GRILLE ASM WELD |
| 29 | 110898X | | LENS T |
| 30 | 147310X550 | | FENDER |
| 31 | 139976 | | BRACKET SUPT FEND |
| 33 | 145244X550 | | FOOTREST.LH.LT/GT |
| 34 | 145243X550 | | FOOTREST.RH.LT/GT |
| 35 | 72110606 | | BOLT |
| 36 | 108067X | | PAL NUT LT |
| 38 | 139886 | | BRACKET ASM LH |
| 39 | 139887 | | BRACKET ASM RH |
| 40 | 139977 | | SPACER FENDER LT |
| 45 | 132257 | | SUB= 918132257 |
| 50 | 124046X | | "BAFFLE,HOOD" |
| 59 | 110436X | | SUB= 9151R |
| 64 | 150272 | | DASH.LOWER.LT |
| 66 | 156277X011 | | PLATE SLKSCR.OM |
| 71 | 73640400 | | NUT HXKEP 1/4X20 |
| 72 | 110350X550 | | STRAP FENDER ASM |
| 86 | 123764X550 | | PANEL SIDE RH ASM |
| 87 | 123765X550 | | PANEL SIDE LH ASM |
| 90 | 19091216 | | WASHER PM |
| 100 | 109458X | | FOAM STRIP T |
| 102 | 2751R | | CLIP T |
| 114 | 145349 | | BRACKET.SUPT.DASH |
| 115 | 121794X | | COVER ACCESS |
| 117 | 144283 | | WASHER.SERRATED. |
| 118 | 145595 | | BRACKET.CLUTCH.MC |
| 123 | 149037 | | BRACKET.PICK.LH. |
| 124 | 149036 | | BRACKET.PICK.RH. |
| 125 | 74180412 | | SCREW |
| 127 | 120579X | | PAL NUT |
| 128 | 124201X | | SCREW SPECIAL |
| 140 | 158418 | | BRKT SUSPENSION |
| | 5479J | | PLUG BUTTON T |

TRACTOR - - MODEL NUMBER CTH14542D

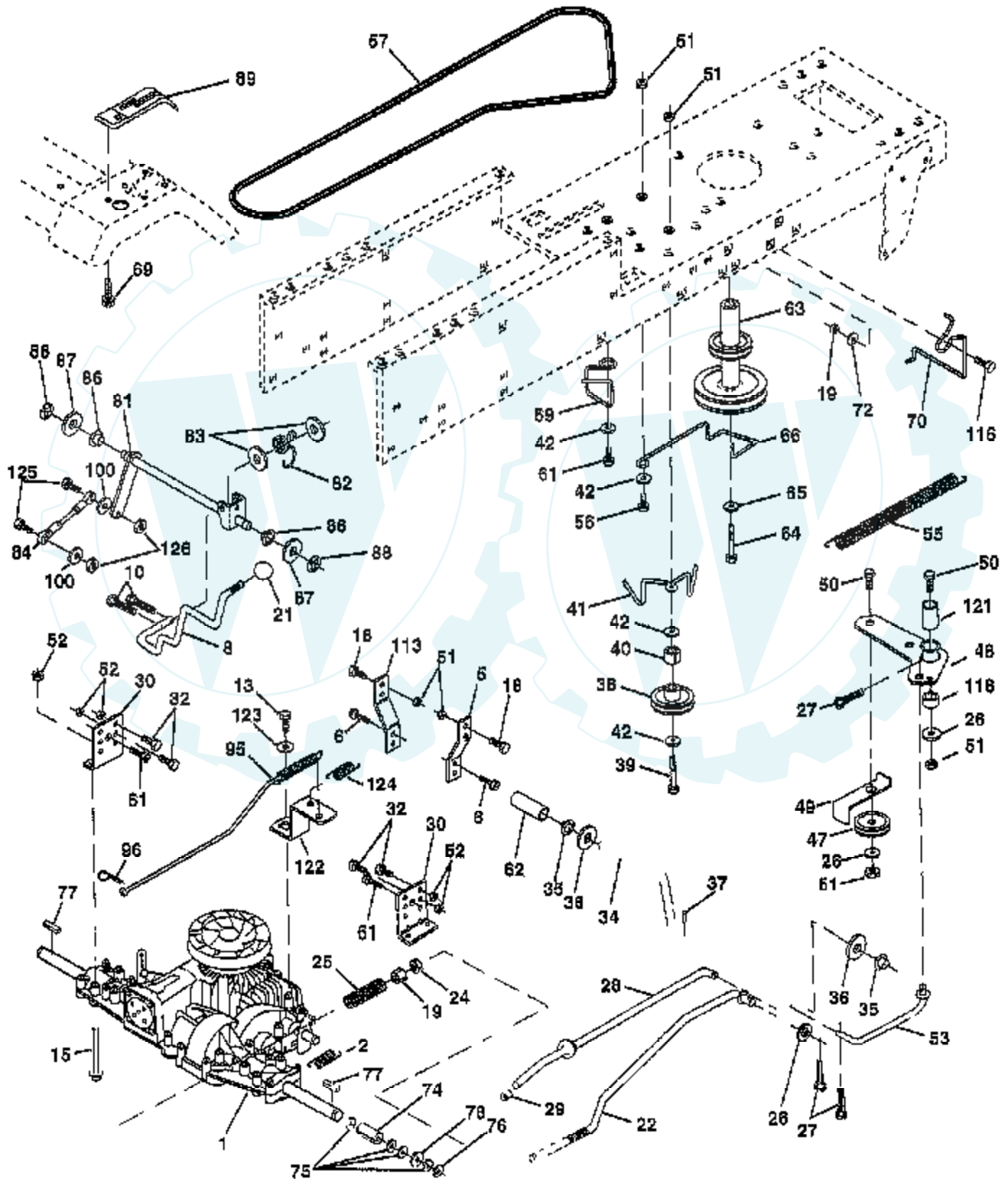
DECALS



| Ref # | Part Number | Qty | Description |
|-------|-------------|-----|-----------------------|
| 1 | 156835 | | "DECAL-INST,OPER" |
| 2 | 136832 | | DECAL |
| 3 | 158889 | | DECAL GRILLE |
| 5 | 140837 | | DECAL BRAK PARK |
| 6 | 157002 | | "DECAL DANGER,FEND" |
| 7 | 4900J | | DECAL T |
| 8 | 142341 | | DECAL DRAWBAR LH |
| 9 | 106202X | | REFLECTOR-TAIL YT |
| 10 | 159284 | | DECAL HOOD RH |
| 11 | 145005 | | DECAL.BATRY.3-3908 |
| 12 | 159288 | | "DECAL CHASSIS 42"" |
| 13 | 159287 | | DECAL SIDE PANEL |
| 14 | 272991 | | DECAL, ENGINE |
| 15 | 159285 | | DECAL HOOD LH |
| 17 | 158887 | | DECAL INST STG WH |
| 20 | 134999 | | "DECAL,ENVIRO DECK" |
| | 138311 | | DECAL HANDLE LIFT |
| | 133671 | | FOOTREST PAD |
| | 158124 | | MANUAL.GENERIC.42 |
| | 159276 | | MANUAL PARTS ENG. |
| | C42 | | GRASS CATCHER |
| | LC05 | | WHEEL WTS. |
| | MK420 | | MULCHING KIT W/BLADES |
| | LSB42 | | SNOW THROWER |
| | LBD48 | | SNOW BLADE |
| | LC06 | | TIRE CHAINS |

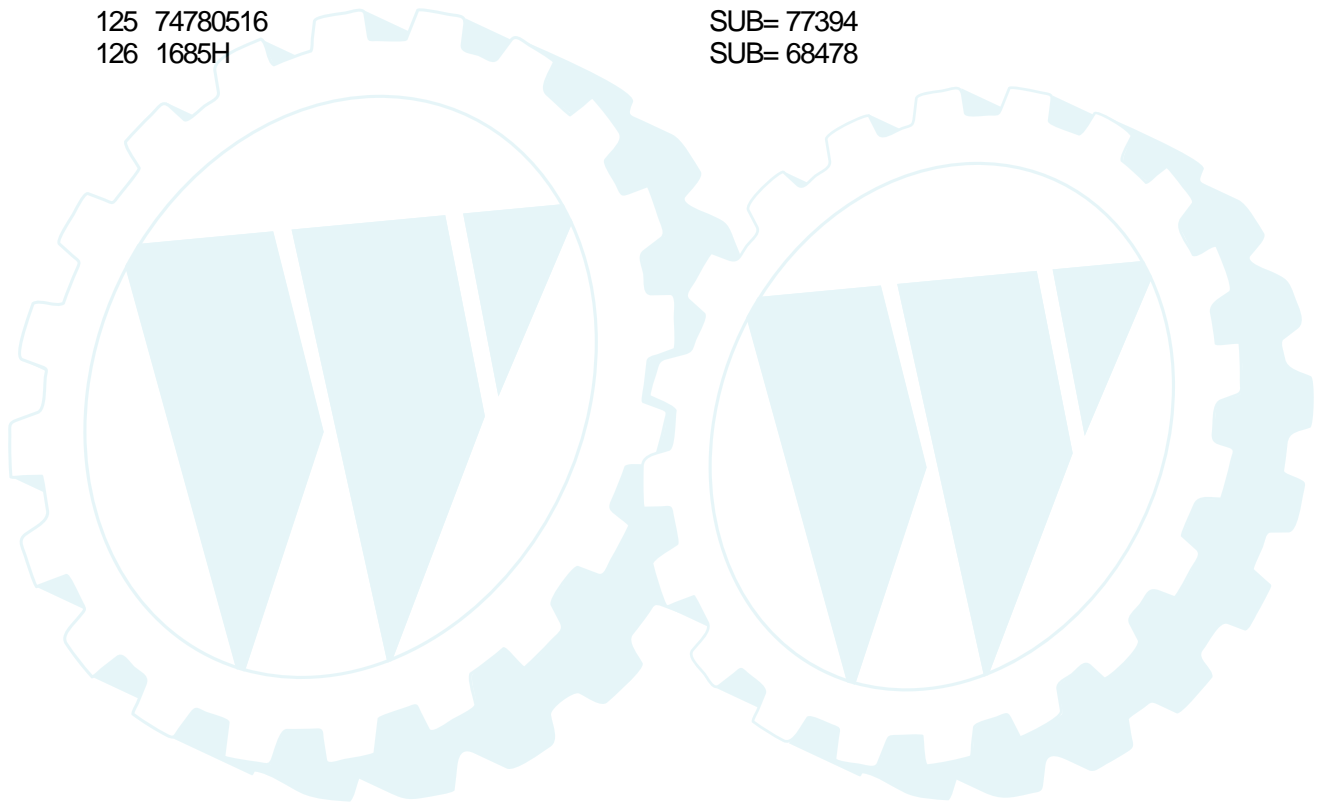
TRACTOR - - MODEL NUMBER CTH14542D

DRIVE



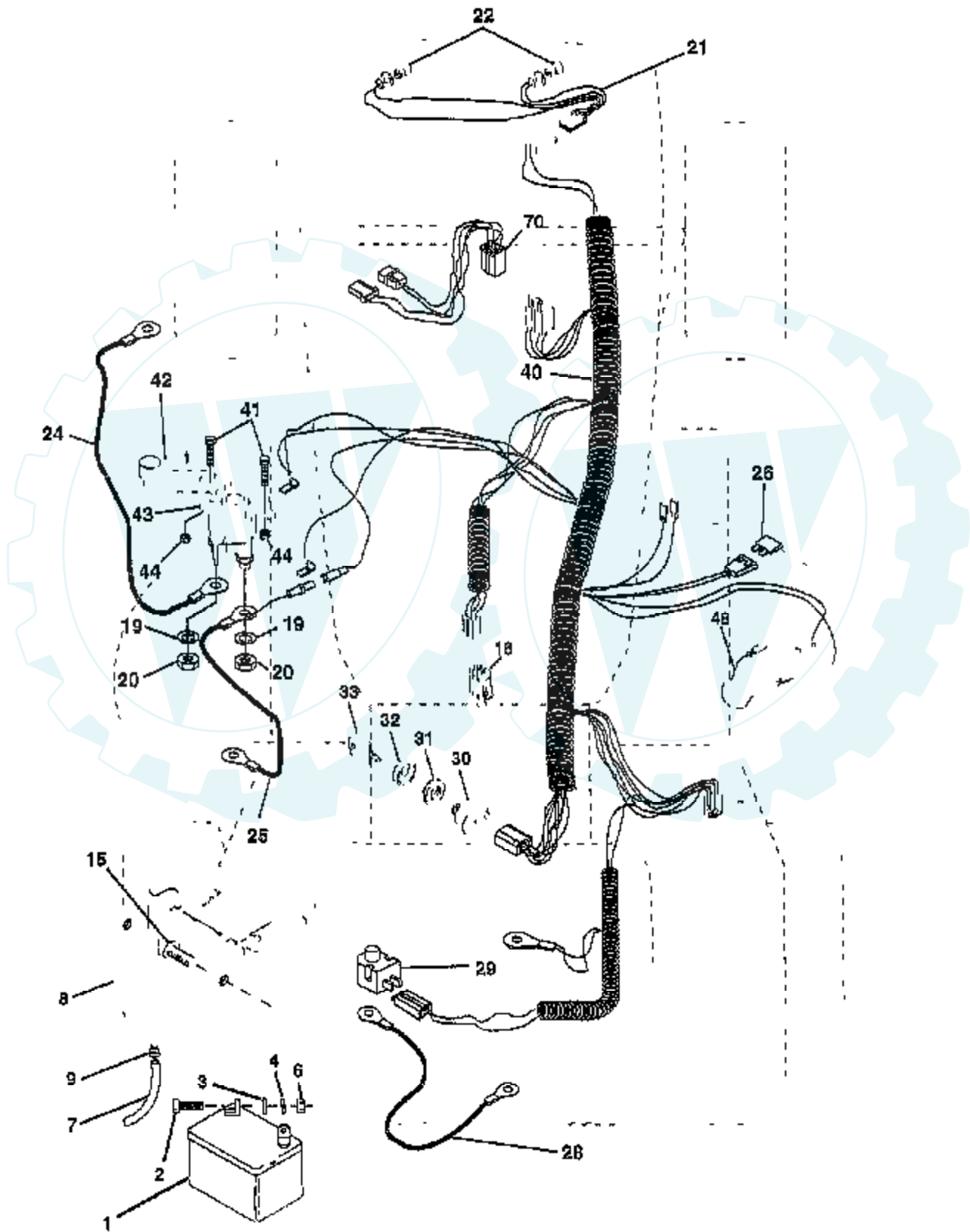
| Ref # | Part Number | Qty | Description |
|-------|-------------|-----|---------------------|
| 1 | | | REFER TO IMAGE |
| 2 | 146682 | | SPRING.BRAKE.RETU |
| 5 | 121520X | | STRAP TORQUE |
| 6 | 17490512 | | SCREW |
| 8 | 141003 | | ROD SHIFT FEND LT |
| 10 | 76020416 | | PIN COTTER 1/8 |
| 13 | 74550412 | | BOLT.1/4-28.W/PAT |
| 15 | 74490544 | | BOLT.HX.FLG.5/16 |
| 18 | 74780616 | | BOLT |
| 19 | 73800600 | | NUT |
| 21 | 140845 | | KNOB DLX BLK/BLK |
| 22 | 130804 | | BRAKE ROD |
| 24 | 73350600 | | NUT |
| 25 | 106888X | | SPRING ROD LT |
| 26 | 19131316 | | WASHER |
| 27 | 76020412 | | COTTER PIN |
| 28 | 145204 | | ROD.BRAKE.PARK.LT |
| 29 | 71673 | | PLUNGER CAP T |
| 30 | 130807 | | TRANSAXLE MTG BKT |
| 32 | 74760512 | | BOLT |
| 34 | 155071 | | SHAFT ASM-PEDAL F |
| 35 | 120183X | | NYLON BEARING |
| 36 | 19211616 | | WASHER LT |
| 37 | 1572H | | SUB= 2882J |
| 38 | 123674X | | PULLEY.IDLER.FLAT |
| 39 | 74760644 | | BOLT |
| 40 | 4470J | | SPACER T |
| 41 | 154777 | | SUB= 165692 |
| 42 | 19131312 | | WASHER |
| 47 | 127783 | | SUB= 139245 |
| 48 | 154604 | | BELLCRANK ASM |
| 49 | 123205X | | RETAIN BELT |
| 50 | 74760624 | | SUB= 74930624 |
| 51 | 73680600 | | SUB= 73690600 |
| 52 | 73680500 | | SUB= 73690500 |
| 53 | 105710X | | "LINK, CLUTCH T" |
| 55 | 105709X | | "SPRING, RETURN LT" |
| 56 | 74760620 | | SUB= 74780620 |
| 57 | 156971 | | "V-BELT,GRD DRIVE" |
| 59 | 140312 | | KEEPER BELT CNTSP |
| 61 | 17490612 | | SCREW |
| 62 | 8883R | | PEDAL COVER T |
| 63 | 140186 | | PULLEY.ENGINE |
| 64 | 71170764 | | BOLT |
| 65 | 10040700 | | LOCKWASHER |
| 66 | 154778 | | KEEPER-BELT |
| 69 | 142432 | | SCREW HEXWSH H-L |
| 70 | 134683 | | KEEPER BELT ENG |
| 72 | 19132012 | | WASHER |
| 74 | 156972 | | "SPACER AXLE,PVST" |
| 75 | 121749X | | WASHER |
| 76 | 12000001 | | E-RING LT |
| 77 | 123583X | | SQUARE KEY |
| 78 | 121748X | | WASHER |
| 81 | 156969 | | SHAFT ASM CROSS |
| 82 | 123782X | | "SPRING,TORSION" |
| 83 | 19171216 | | WASHER |
| 84 | 156962 | | "ROD TIE, PVST 20" |

| Ref # | Part Number | Qty | Description |
|-------|-------------|-----|---------------------|
| 86 | 71208 | | BUSHING |
| 87 | 19212016 | | WASHER D |
| 88 | 12000008 | | KLIP RING |
| 89 | 151147 | | SUB= 164893 |
| 95 | 156970 | | ROAD ASM BYPASS |
| 96 | 4497H | | RETAINER M |
| 100 | 19111216 | | WASHER M |
| 113 | 127285X | | "STRAP,TORQUE" |
| 116 | 72110610 | | BOLT RDHD 3/8-16 |
| 118 | 154774 | | SPACER-BELLCRANK |
| 121 | 154419 | | NYLINER-CLUTCHING |
| 122 | 156963 | | "PLATE-BYPASS,PVST" |
| 123 | 19091016 | | WASHER |
| 124 | 156967 | | SPRING RETURN |
| 125 | 74780516 | | SUB= 77394 |
| 126 | 1685H | | SUB= 68478 |



TRACTOR -- MODEL NUMBER CTH14542D

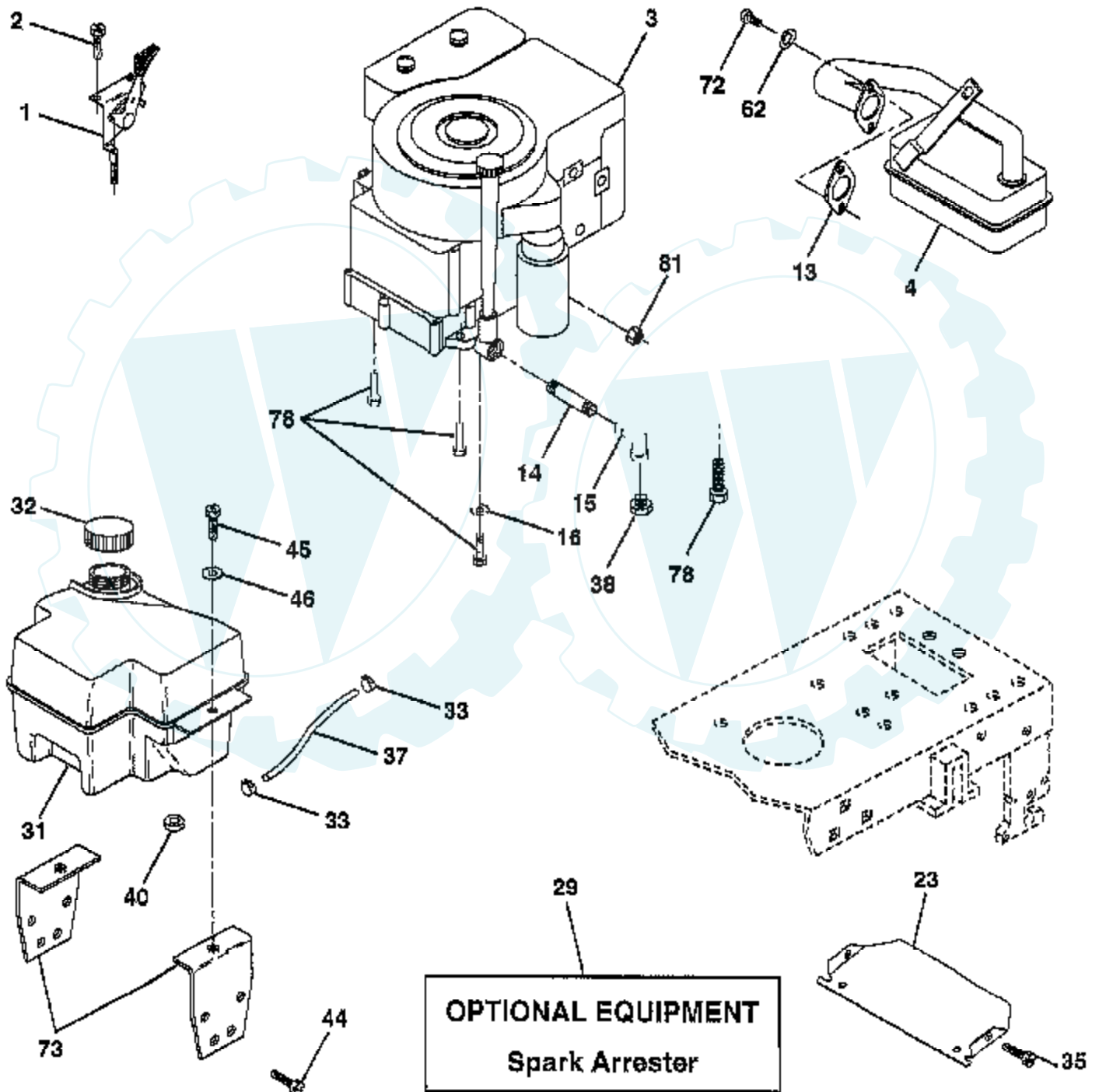
ELECTRICAL



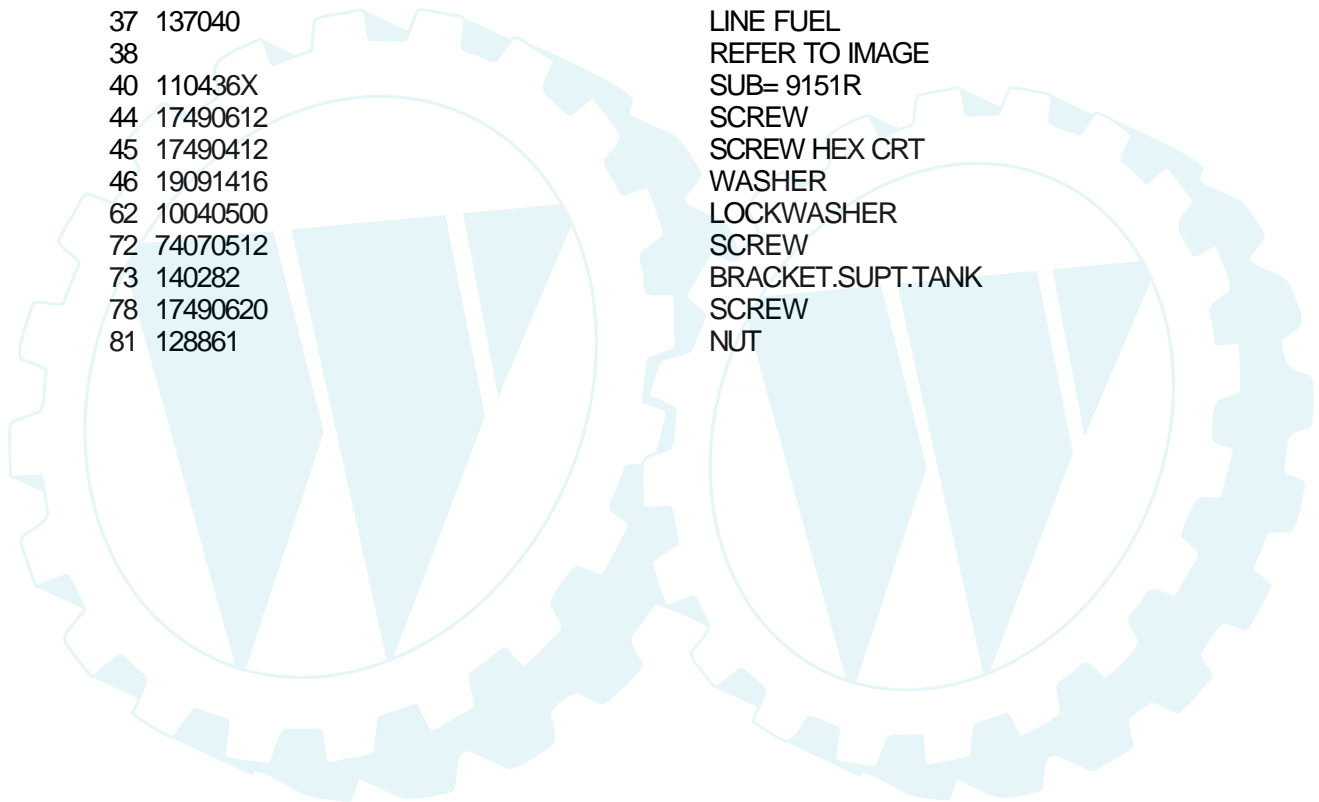
| Ref # | Part Number | Qty | Description |
|-------|-------------|-----|---------------------|
| 1 | 144925 | | SUB= 123899X |
| 2 | 74760412 | | BOLT LT |
| 3 | 19091016 | | WASHER |
| 4 | 10040400 | | LOCKWASHER |
| 6 | 73220400 | | SUB= 50675 |
| 7 | 109238X | | TUBE T |
| 8 | 156417 | | "CASE,BATTERY.MECH" |
| 9 | 109596X | | HOSE CLAMP T |
| 15 | 147688 | | FASTNER.SNAP-IN |
| 16 | 153664 | | SWITCH INTERLOCK |
| 19 | 10090400 | | SUB= 10040400 |
| 20 | 73350400 | | NUT |
| 21 | 136850 | | "HARNES,LIGHT SOC" |
| 22 | 4152J | | HEADLAMP BULB |
| 24 | 148009 | | CABLE.BTRY.6GA.38 |
| 25 | 146136 | | CABLE.BTRY.6GA.RD |
| 26 | 108824X | | FUSE HYT |
| 28 | 4207J | | CABLE T |
| 29 | 121305X | | SWITCH SEAT |
| 30 | 140301 | | SWITCH IGN 4POS |
| 31 | 124211X | | NUT IGNITION |
| 32 | 141226 | | COVER KEY SWITCH |
| 33 | 122147X | | KEY |
| 40 | 156149 | | HARNES IGNITION |
| 41 | 71110408 | | BOLT HXHD FIN |
| 42 | 131563 | | SUB= 154336 |
| 43 | 145673 | | SUB= 146154 |
| 44 | 73640400 | | NUT HXKEP 1/4X20 |
| 48 | 140844 | | ADAPTER AMMETER |
| 70 | 140422 | | HARNES.ENG.DUAL |

TRACTOR - - MODEL NUMBER CTH14542D

ENGINE

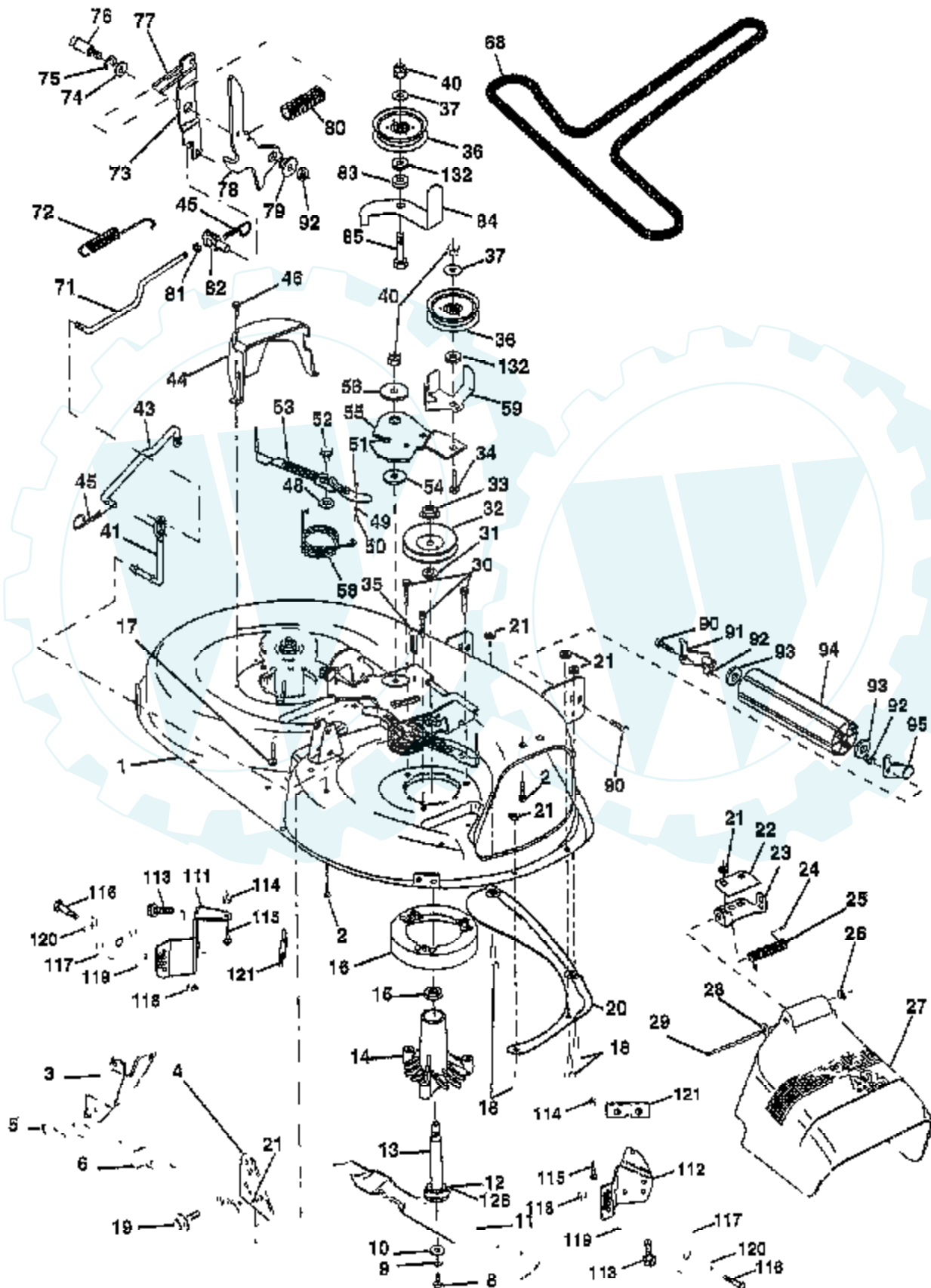


| Ref # | Part Number | Qty | Description |
|-------|-------------|-----|--------------------------------|
| 1 | 143893 | | CONTROL.THTL.19.6 |
| 2 | 17720410 | | SCREW LT |
| 3 | | | REFER TO IMAGE |
| 4 | 137352 | | MUFFLER |
| 13 | 272293 | | GASKET ENG 1 313 LD TIN PLATED |
| 14 | 13280324 | | PIPE NIPPLE |
| 15 | 13200300 | | ELBOW |
| 16 | 11050600 | | LOCKWASHER |
| 23 | 156123 | | SHIELD-HEAT |
| 29 | 137180 | | SUB= 532137180 |
| 31 | 140280 | | SUB= 161911 |
| 32 | 140527 | | CAP ASM FUEL |
| 33 | 123487X | | HOSE CLAMP |
| 35 | 17490512 | | SCREW |
| 37 | 137040 | | LINE FUEL |
| 38 | | | REFER TO IMAGE |
| 40 | 110436X | | SUB= 9151R |
| 44 | 17490612 | | SCREW |
| 45 | 17490412 | | SCREW HEX CRT |
| 46 | 19091416 | | WASHER |
| 62 | 10040500 | | LOCKWASHER |
| 72 | 74070512 | | SCREW |
| 73 | 140282 | | BRACKET.SUPT.TANK |
| 78 | 17490620 | | SCREW |
| 81 | 128861 | | NUT |



TRACTOR - - MODEL NUMBER CTH14542D

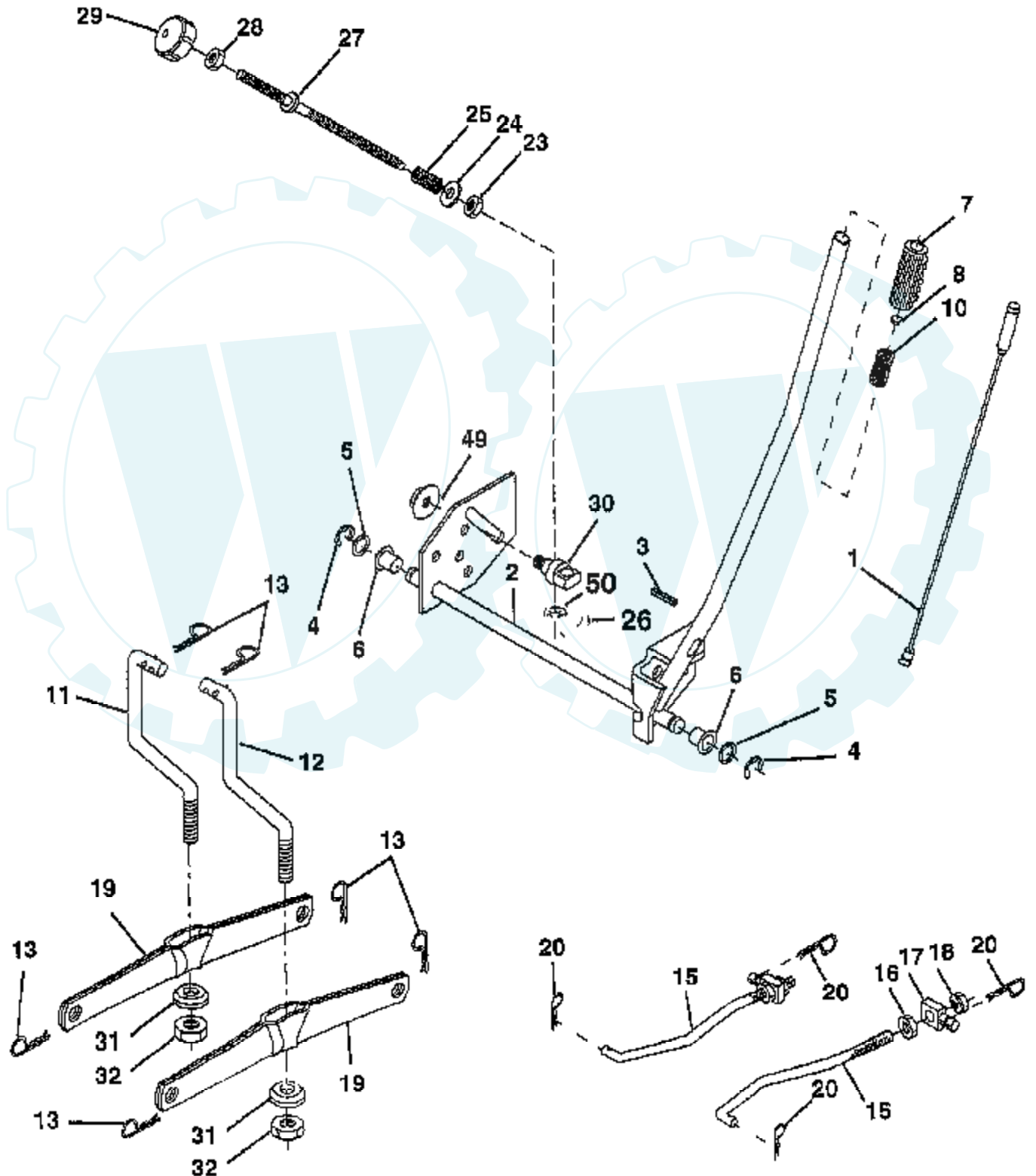
MOWER DECK



| Ref # | Part Number | Qty | Description |
|-------|-------------|-----|---------------------|
| 1 | 144393 | | DECK.WELD.42. |
| 2 | 72140506 | | BOLT |
| 3 | 138017 | | BRKT ASM SWAY BAR |
| 4 | 138440 | | BRKT DECK SW BAR |
| 5 | 4939M | | SUB= 85902 |
| 6 | 130832 | | SUB= 130833 |
| 8 | 850857 | | BLADE BOLT |
| 9 | 10030600 | | SUB= 10040600 |
| 10 | 140296 | | WASHER.HARD.BLADE |
| 11 | 138498 | | "BLADE.42"" HIPERF" |
| 12 | 129895 | | BEARING.BALL |
| 13 | 137645 | | SUB= 137646 |
| 14 | 128774 | | HSG ASM MANDREL |
| 15 | 110485X | | BEARING |
| 16 | 140329 | | STRIPPER RND MWR |
| 17 | 72110610 | | BOLT RDHD 3/8-16 |
| 18 | 72140505 | | BOLT |
| 19 | 132827 | | BOLT SHD 5/16-18 |
| 20 | 136888 | | SUB= 918136888 |
| 21 | 73680500 | | SUB= 73690500 |
| 22 | 134753 | | STIFFENER BRKT |
| 23 | 131267 | | DEFLECTOR BRKT |
| 24 | 105304X | | CAP-SLEEVE LT |
| 25 | 123713X | | SPRING TORSION |
| 26 | 110452X | | NUT PUSH M |
| 27 | 130968 | | DEFLECTOR.SHIELD |
| 28 | 19111016 | | WASHER |
| 29 | 131491 | | HINGE ROD |
| 30 | 138776 | | SUB= 157722 |
| 31 | 129963 | | WASHER |
| 32 | 153535 | | PULLEY.MANDREL.42 |
| 33 | 137266 | | SUB= 139729 |
| 34 | 72110614 | | BOLT |
| 35 | 133835 | | XMAS TREE FASTNER |
| 36 | 131494 | | FLAT IDLER PULLEY |
| 37 | 19131316 | | WASHER |
| 40 | 73680600 | | SUB= 73690600 |
| 41 | 133551 | | PIVOT ROD |
| 43 | 140083 | | ROD CLUTCH W/NIBS |
| 44 | 140088 | | GUARD MAND LH BLK |
| 45 | 4497H | | RETAINER M |
| 46 | 137729 | | SCREW.1/4-20X5/8 |
| 48 | 133944 | | HARD SMALL WASHER |
| 49 | 155066 | | ROLLER ASM-CAM |
| 50 | 131340 | | SHOULDER BOLT |
| 51 | 69180 | | LOCKNUT |
| 52 | 139888 | | BOLT.SHLD.5/16-18 |
| 53 | 131845X900 | | SUB= 131845 |

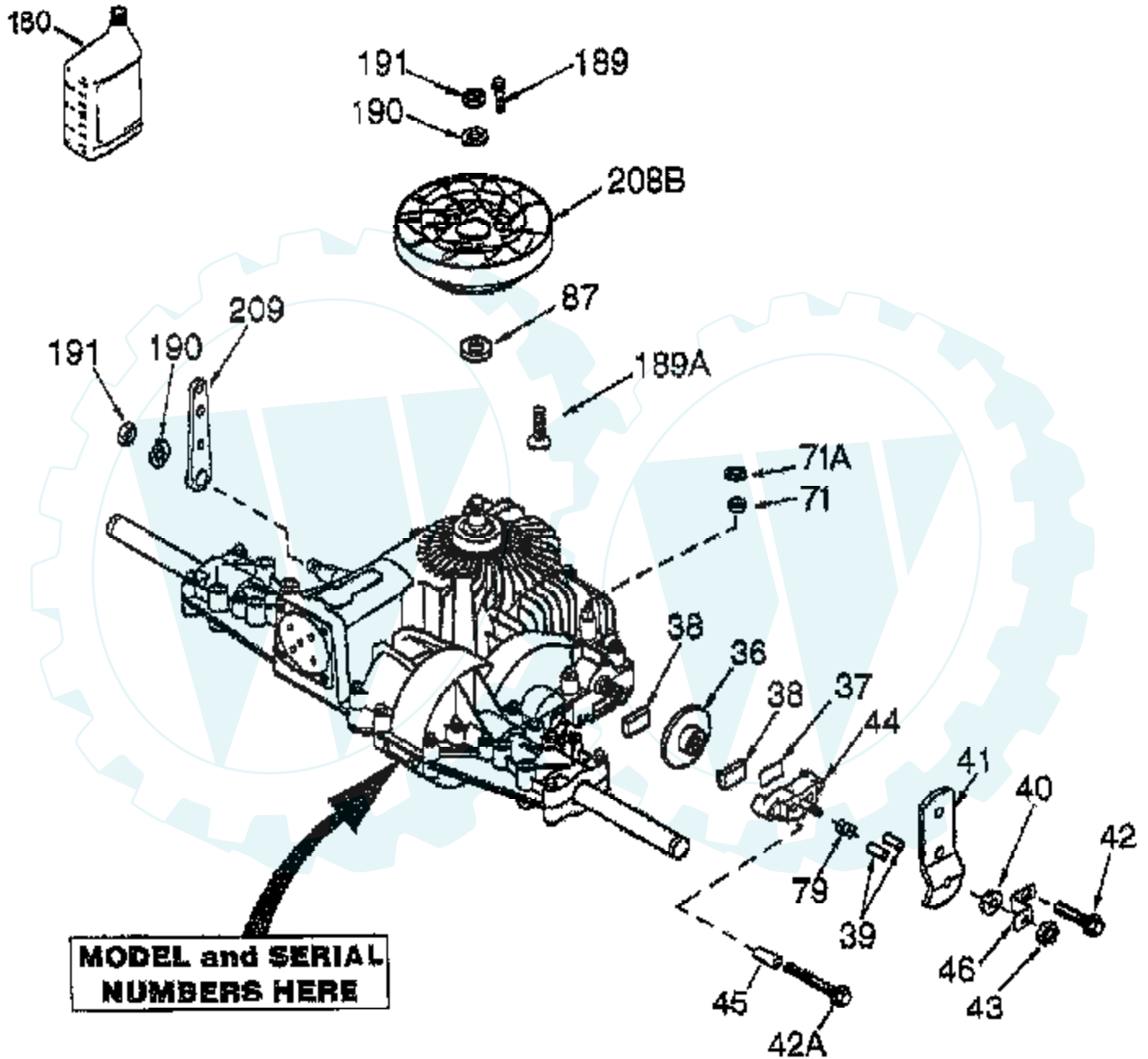
TRACTOR - - MODEL NUMBER CTH14542D

MOWER LIFT

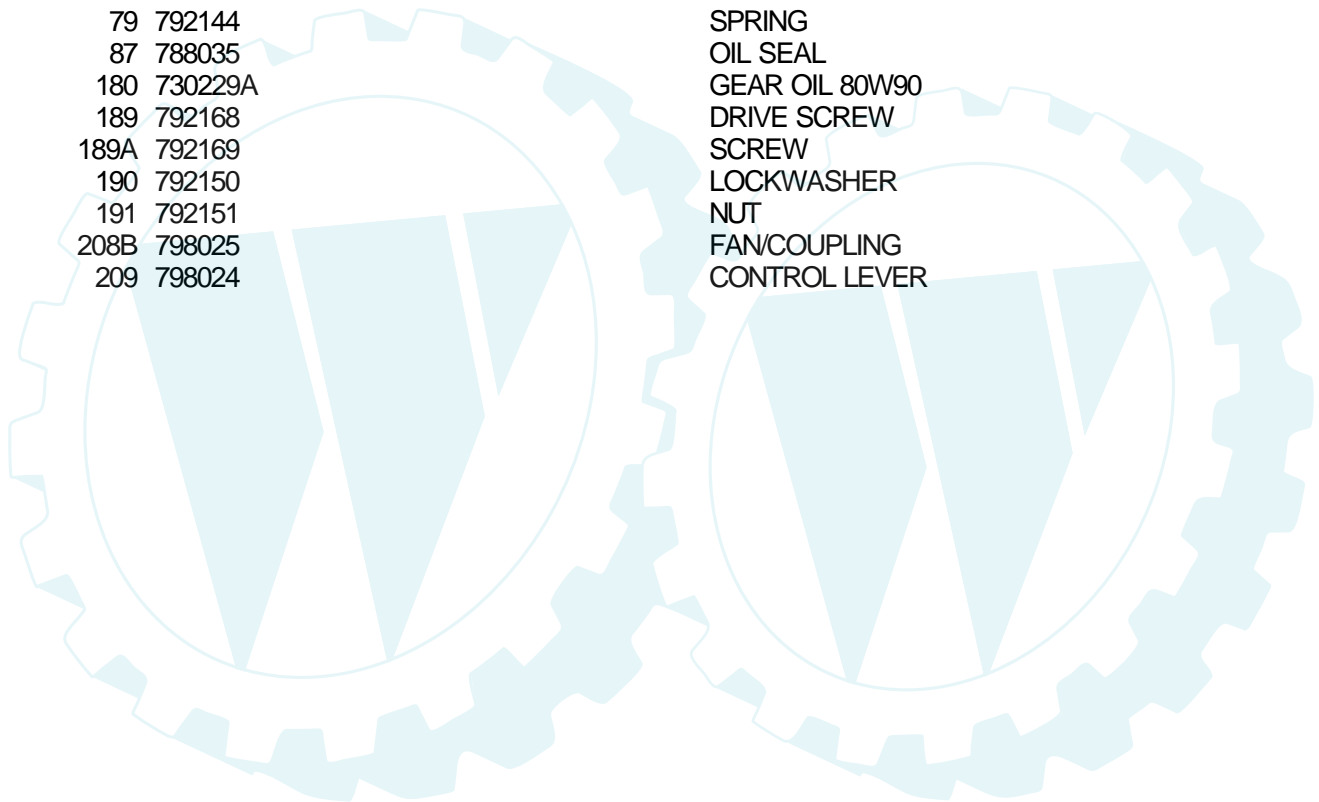


| Ref # | Part Number | Qty | Description |
|-------|-------------|-----|-------------------|
| 1 | 136971 | | WIRE.ASM.INNER |
| 2 | 136968 | | SHAFT.ASM.LIFT.RH |
| 3 | 138284 | | PIN GROOVE |
| 4 | 12000002 | | SUB= 2225J |
| 5 | 19211621 | | WASHER |
| 6 | 120183X | | NYLON BEARING |
| 7 | 109413X | | GRIP |
| 8 | 124526XX | | BUTON PLUNGER |
| 10 | 122512X | | SUB= 532122512 |
| 11 | 139865 | | SUB= 918139865 |
| 12 | 139866 | | SUB= 151140 |
| 13 | 4939M | | SUB= 85902 |
| 15 | 127218 | | LINK.FRONT |
| 16 | 73350800 | | NUT |
| 17 | 130171 | | TRUNION |
| 18 | 73800800 | | NUT.LK.W/WSH.1/2. |
| 19 | 139868 | | ARM SUSP REAR |
| 20 | 3146R | | RETAINER.SPRING |
| 23 | 110807X | | NUT T |
| 24 | 19131016 | | WASHER |
| 25 | 137150 | | SPRING.COMP.INF.H |
| 26 | 76020308 | | SUB= 3145 |
| 27 | 137167 | | ROD.ADJ.LIFT |
| 28 | 73350600 | | NUT |
| 29 | 138057 | | KNOB INF 3/8-16 |
| 30 | 150233 | | TRUNNION |
| 31 | 140302 | | BEARING PVT LH |
| 32 | 73540600 | | NUT.CROWNLOCK.3/8 |
| 49 | 145212 | | NUT.HXFLG.LOCK. |
| 50 | 110452X | | NUT PUSH M |

TRACTOR - - MODEL NUMBER CTH14542D
PEERLESS TRANSAXLE - MODEL NUMBER 205-026B

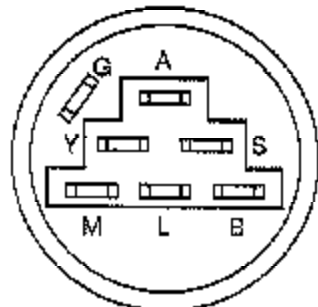
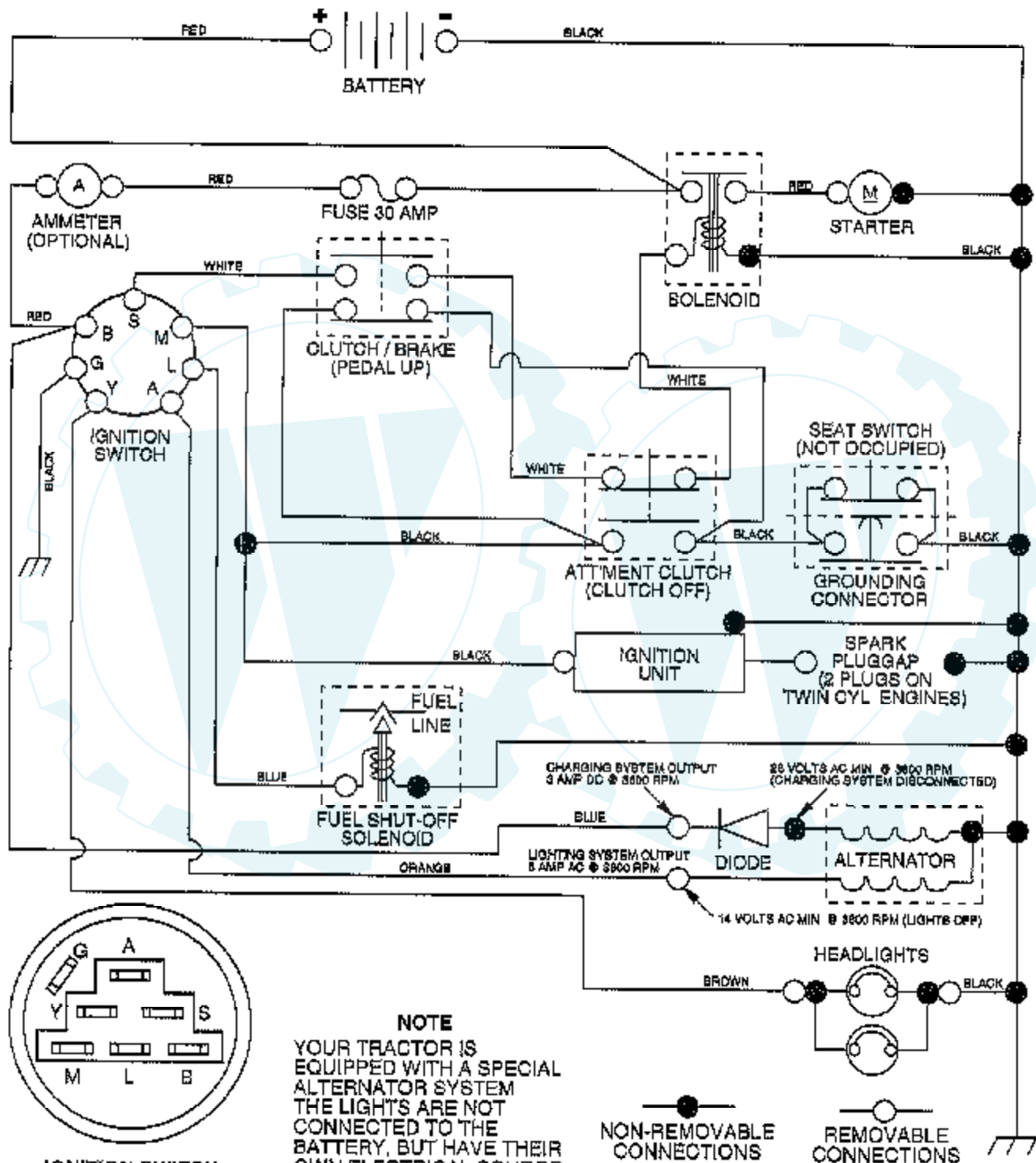


| Ref # | Part Number | Qty | Description |
|-------|-------------|-----|-----------------------|
| 36 | 790075 | | BRAKE DISC |
| 37 | 790007 | | PLATE BRAKE PAD |
| 38 | 799021 | | BRAKE PAD |
| 39 | 786026 | | PIN DOWEL |
| 40 | 792076A | | WASHER |
| 41 | 790085 | | BRAKE LEVER |
| 42 | 792073 | | SCREW, 1/4-20 X 1-1/4 |
| 42A | 792085A | | SCREW, 1/4-20 X 2-1/4 |
| 43 | 792075 | | LOCKNUT 5/16-24 |
| 44 | 790025 | | HOLDER BRAKE PAD |
| 45 | 786066 | | SPACER |
| 46 | 790086 | | BRAKE LEVER BRACKET |
| 71 | 788069 | | SEAL SQUARE CUT |
| 71A | 792162 | | PUSHNUT |
| 79 | 792144 | | SPRING |
| 87 | 788035 | | OIL SEAL |
| 180 | 730229A | | GEAR OIL 80W90 |
| 189 | 792168 | | DRIVE SCREW |
| 189A | 792169 | | SCREW |
| 190 | 792150 | | LOCKWASHER |
| 191 | 792151 | | NUT |
| 208B | 798025 | | FAN/COUPLING |
| 209 | 798024 | | CONTROL LEVER |



TRACTOR - - MODEL NUMBER CTH14542D

SCHEMATIC



IGNITION SWITCH

| POSITION | CIRCUIT | "MAKE" |
|----------|-----------|--------|
| OFF | G + M + L | NONE |
| RUNLIGHT | B + L | A + Y |
| RUN | B + L | NONE |
| START | B + L + S | NONE |

NOTE
YOUR TRACTOR IS EQUIPPED WITH A SPECIAL ALTERNATOR SYSTEM THE LIGHTS ARE NOT CONNECTED TO THE BATTERY, BUT HAVE THEIR OWN ELECTRICAL SOURCE BECAUSE OF THIS, THE BRIGHTNESS OF THE LIGHTS WILL CHANGE WITH ENGINE SPEED AT IDLE THE LIGHTS WILL DIM. AS THE ENGINE IS SPEEDED UP, THE LIGHTS WILL BECOME THEIR BRIGHTEST

NON-REMOVABLE CONNECTIONS

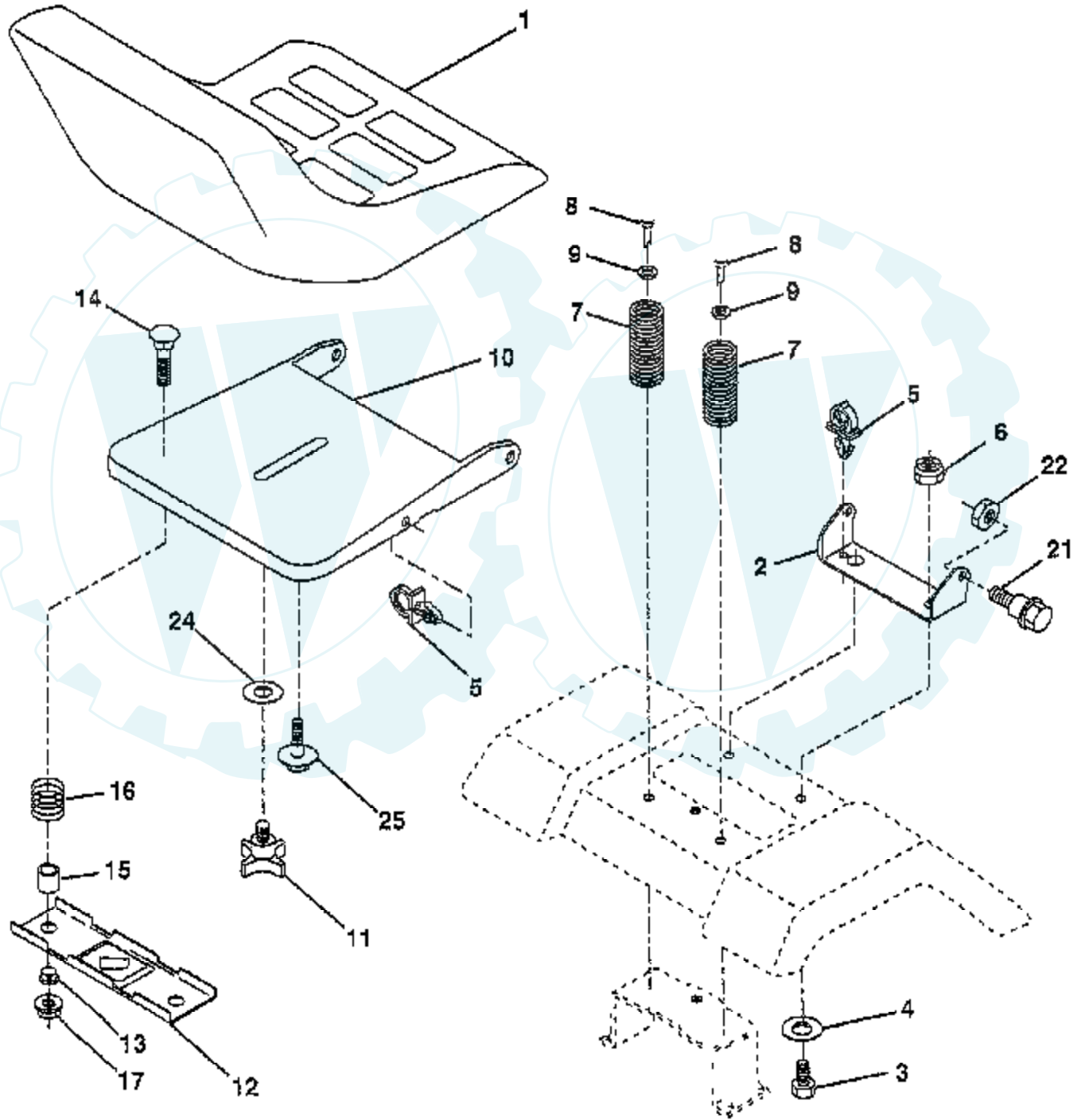
REMOVABLE CONNECTIONS

WIRING INSULATED CLIPS

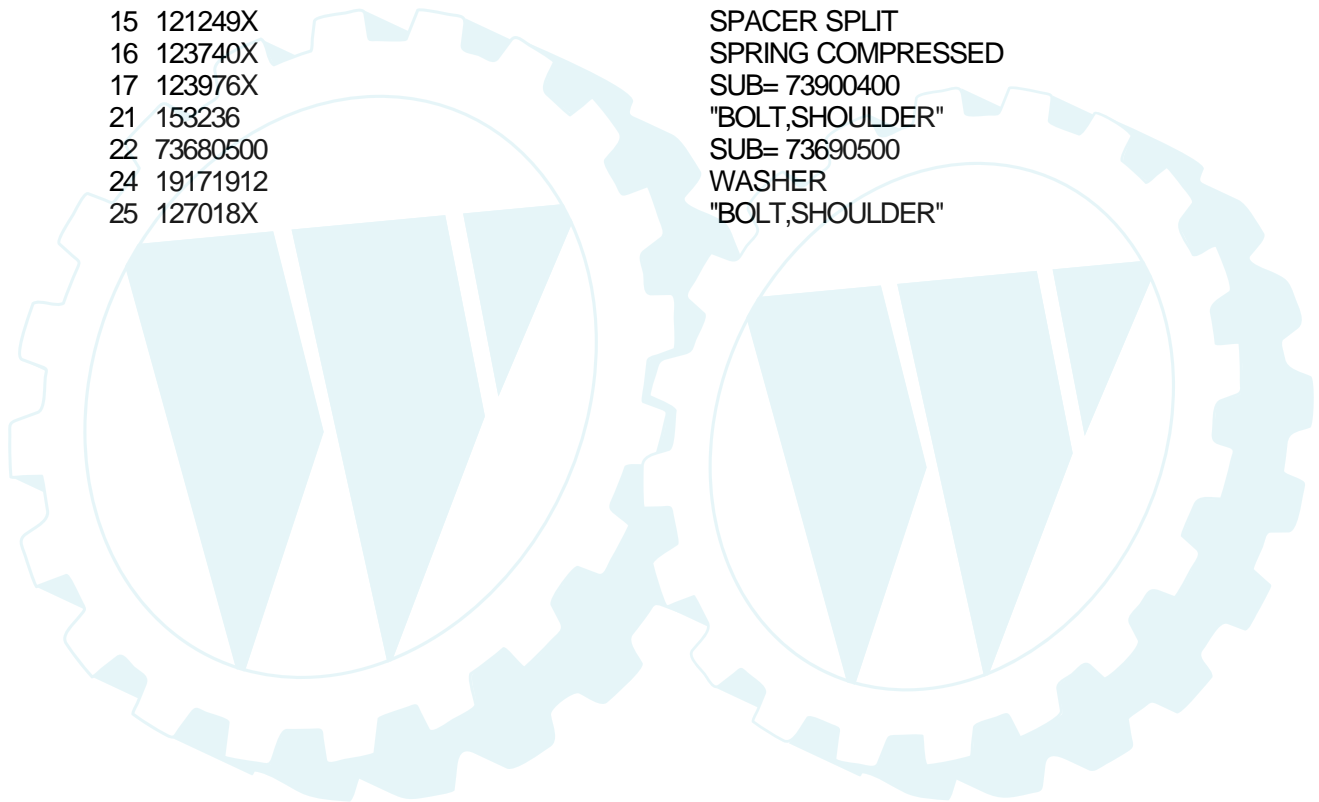
NOTE: IF WIRING INSULATED CLIPS WERE REMOVED FOR SERVICING OF UNIT, THEY SHOULD BE REPLACED TO PROPERLY SECURE YOUR WIRING

TRACTOR - - MODEL NUMBER CTH14542D

SEAT

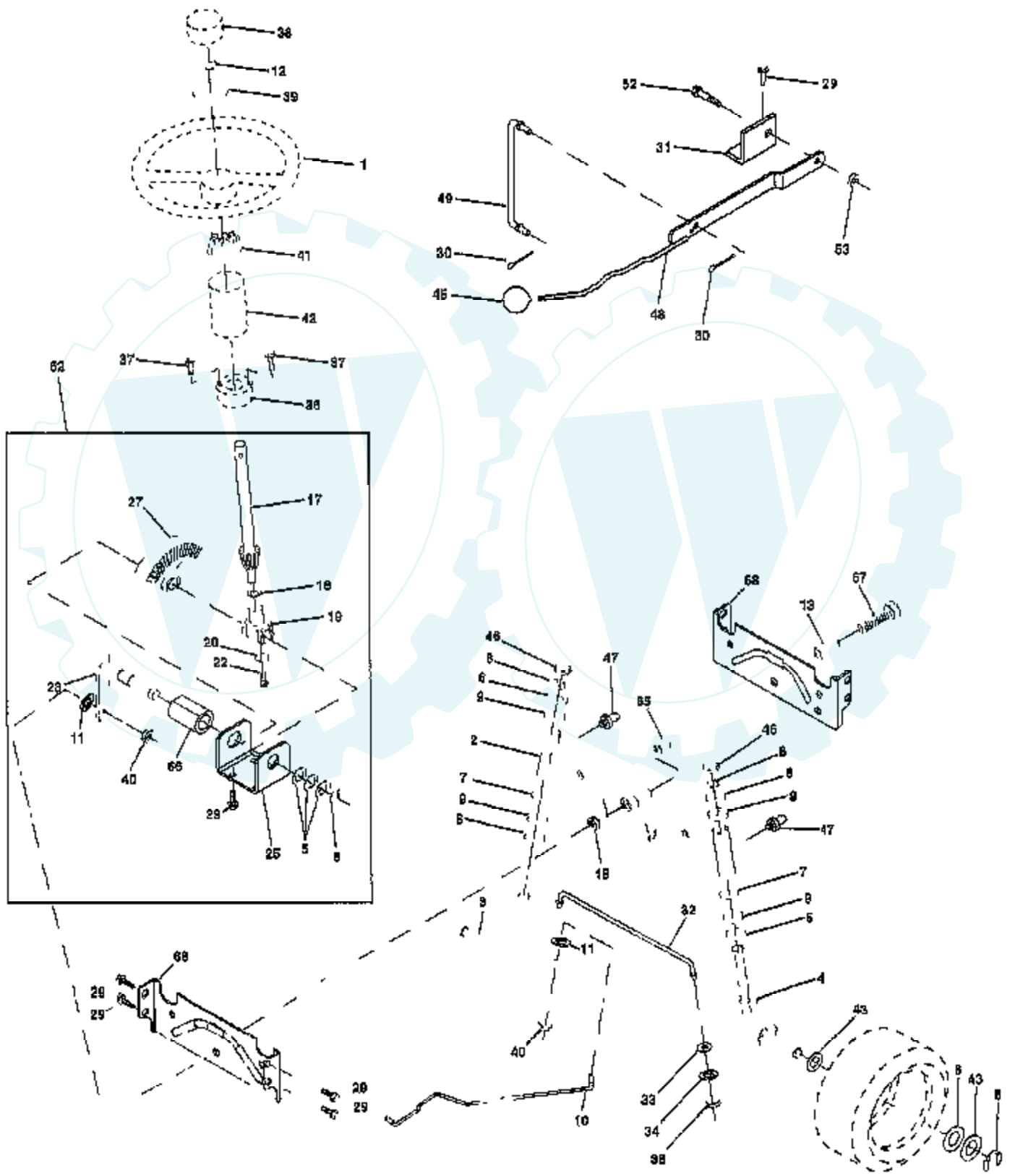


| Ref # | Part Number | Qty | Description |
|-------|-------------|-----|-------------------|
| 1 | 127440 | | SUB= 140121 |
| 2 | 140551 | | BRACKET PVT SEAT |
| 3 | 74760616 | | BOLT |
| 4 | 19131610 | | WASHER PM |
| 5 | 145006 | | CLIP.PUSH-IN.HING |
| 6 | 73800600 | | NUT |
| 7 | 124181X | | SPRING COMPRESSIO |
| 8 | 17490616 | | SCREW GTV |
| 9 | 19131614 | | WASHER |
| 10 | 155925 | | PAN-SEAT |
| 11 | 120068X | | "KNOB 1/2"" YT" |
| 12 | 121246X | | BRKT SWITCH |
| 13 | 121248X | | BUSHING |
| 14 | 72050411 | | SUB= 872050411 |
| 15 | 121249X | | SPACER SPLIT |
| 16 | 123740X | | SPRING COMPRESSED |
| 17 | 123976X | | SUB= 73900400 |
| 21 | 153236 | | "BOLT,SHOULDER" |
| 22 | 73680500 | | SUB= 73690500 |
| 24 | 19171912 | | WASHER |
| 25 | 127018X | | "BOLT,SHOULDER" |



TRACTOR - - MODEL NUMBER CTH14542D

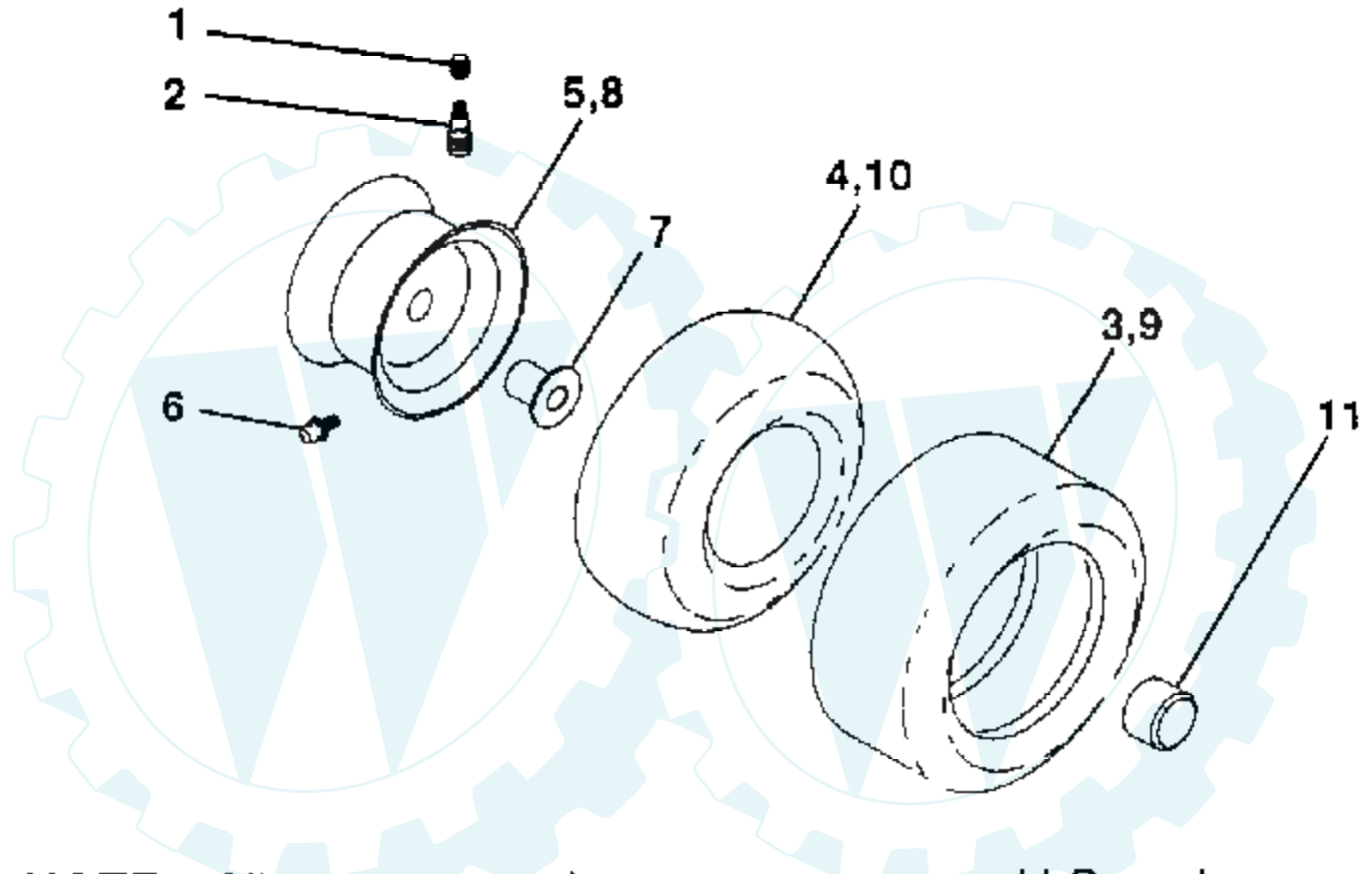
STEERING ASSEMBLY



| Ref # | Part Number | Qty | Description |
|-------|-------------|-----|---------------------|
| 1 | 140044 | | WHEEL STR AYP BLK |
| 2 | 154427 | | AXLE ASM |
| 3 | 154422 | | SUB= 156483 |
| 4 | 154423 | | SUB= 157473 |
| 5 | 6266H | | WASHER .T |
| 6 | 121748X | | WASHER |
| 7 | 19272016 | | WASHER |
| 8 | 12000029 | | RING |
| 9 | 3366R | | COL. SRTG. BEAR. |
| 10 | 156438 | | DRAGLINK-STAMPED |
| 11 | 10040600 | | LOCKWASHER |
| 12 | 73940800 | | SUB= 73360800 |
| 13 | 110438X | | BEARING |
| 15 | 73901000 | | "NUT-LOC,FLANGE LT" |
| 17 | 128758 | | STEERING SHAFT |
| 18 | 57079 | | THRUST WASHER |
| 19 | 124035X | | SUPPORT.SHAFT |
| 20 | 126684X | | SUB= 532126684 |
| 22 | 71200410 | | SCREW HEX SOC1/4- |
| 23 | 127501 | | SUB= 918127501 |
| 25 | 154406 | | BRKT-STEERING |
| 27 | 136874 | | GEAR SECTOR |
| 29 | 17490612 | | SCREW |
| 30 | 76020412 | | COTTER PIN |
| 31 | 138171 | | BRKT.PVT.MAN.LVR. |
| 32 | 139929 | | ROD.TIE.19.75 |
| 33 | 19111216 | | WASHER M |
| 34 | 10040500 | | LOCKWASHER |
| 35 | 73810500 | | NUT.LOCK.5/16-24 |
| 36 | 145207 | | BUSHING.STRG.3/4 |
| 37 | 152927 | | "SCREW-TT,10-32 FL" |
| 38 | 140045 | | CAP STEER AYP |
| 39 | 100712K | | WASHER |
| 40 | 78104 | | NLA |
| 41 | 100711L | | ADAPTER LT |
| 42 | 140216 | | BOOT SHAFT STEER |
| 43 | 121749X | | WASHER |
| 45 | 106933X | | KNOB T (1/2-HOLE) |
| 46 | 121232X | | CAP |
| 47 | 6855M | | ZERK M |
| 48 | 146841 | | LEVER.ASM.CLUTCH |
| 49 | 131291 | | LINK CLTCH W/NUTS |
| 52 | 106451X | | "BOLT, SHOULDER LT" |
| 53 | 73680600 | | SUB= 73690600 |
| 62 | 156595 | | KIT STEERING ASM |
| 65 | 154780 | | SPACER AXLE |
| 66 | 154404 | | "BEARING-ARM,PITMA" |
| 67 | 74781044 | | BOLT |
| 68 | 154429 | | BRACE AXLE |

TRACTOR - - MODEL NUMBER CTH14542D

WHEELS & TIRES



NOTE: All component dimensions given in U S. inches.
1 inch - 25.4 mm.

| Ref # | Part Number | Qty | Description |
|-------|-------------|-----|-------------------|
| 1 | 59192 | | VALVE CAP |
| 2 | 65139 | | VALVE STEM LT |
| 3 | 106222X | | SUB= 122073X |
| 4 | 59904 | | TUBE.5.3/4.5/6 |
| 5 | 106732X421 | | RIM.FRONT.6.YELLO |
| 6 | 278H | | FITTING LT |
| 7 | 9040H | | "FLANGE, BEARING" |
| 8 | 106108X421 | | SUB= 106108X416 |
| 9 | 122082X | | SUB= 918122082X |
| 10 | 7152J | | TUBE.18X9.5-8 |
| 11 | 104757X | | HUB CAP |

