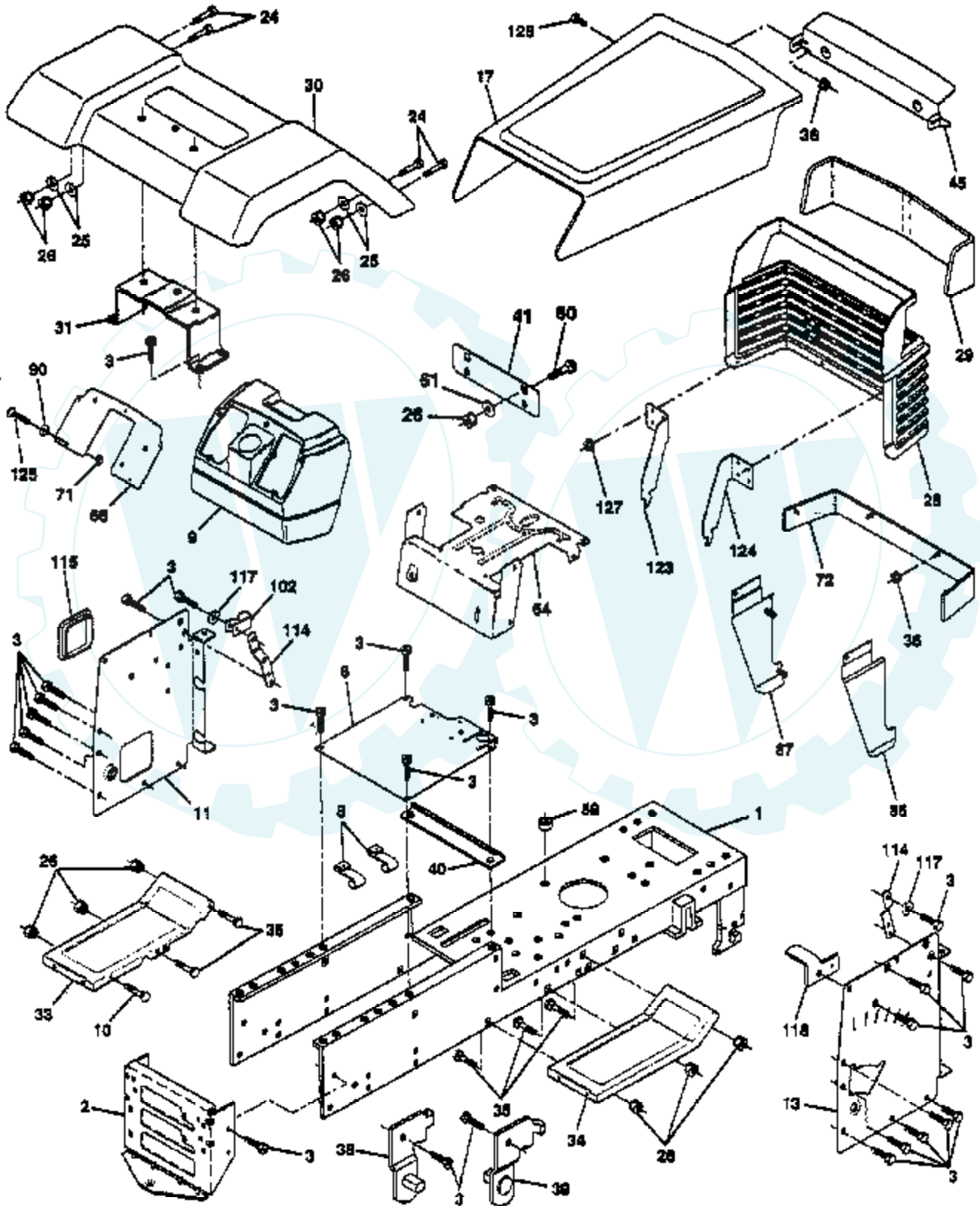


# TRACTOR - - MODEL NUMBER CTH14542A

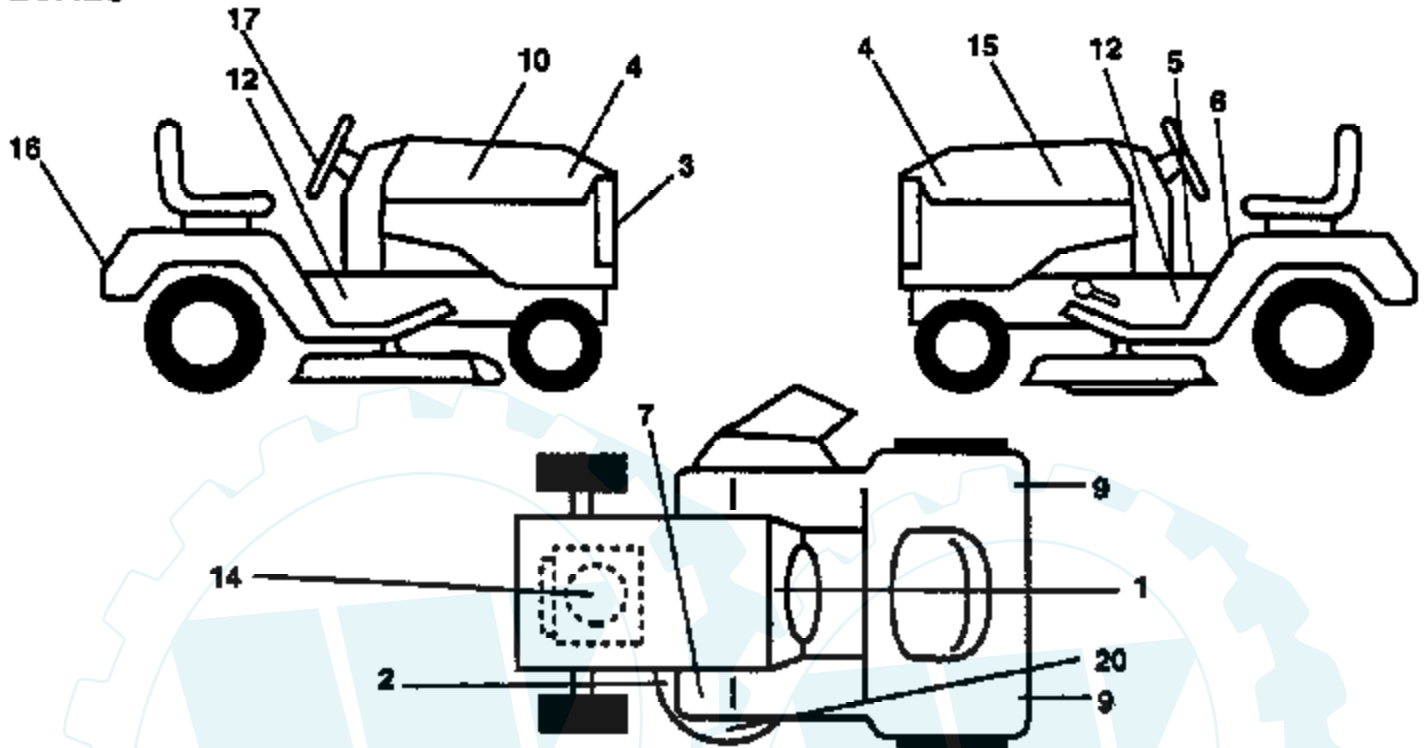
## CHASSIS



Ref #	Part Number	Qty	Description
1	145501		CHASSIS.WLD.11GA
2	140356		SUB= 145009
3	17490612		SCREW
6	145206		SUB= 145206X431
8	126471X		"CLIP,INSULATOR"
9	145203		DASH.PLASTIC.BLK
10	72140608		SUB= 72110608
11	145218		PANEL.DASH.LH.
13	145217		PANEL.DASH.RH.
17	123801X550		HOOD/GRILLE ASM
24	74780616		BOLT
25	19131312		WASHER
26	73800600		NUT
28	140671		GRILLE ASM WELD
29	110898X		LENS T
30	140001X550		FENDER PNT
31	139976		BRACKET SUPT FEND
33	145244X550		FOOTREST.LH.LT/GT
34	145243X550		FOOTREST.RH.LT/GT
35	72110606		BOLT
36	108067X		PAL NUT LT
38	139886		BRACKET ASM LH
39	139887		BRACKET ASM RH
40	139977		SPACER FENDER LT
41	139978		PLATE EXTEN FEND
45	132257		SUB= 918132257
59	110436X		SUB= 9151R
60	72140606		BOLT
61	19171416		WASHER
64	145095		SUB= 150272
66	140943X011		PLATE DASH SILKSC
71	73640400		NUT HXKEP 1/4X20
72	110350X550		STRAP FENDER ASM
86	123764X550		PANEL SIDE RH ASM
87	123765X550		PANEL SIDE LH ASM
90	19091216		WASHER PM
102	2751R		CLIP T
114	145349		BRACKET.SUPT.DASH
115	121794X		COVER ACCESS
117	144283		WASHER.SERRATED.
118	145595		BRACKET.CLUTCH.MC
123	144712		SUB= 149036
124	144713		BRACKET.PICK.RH
125	74180412		SCREW
127	120579X		PAL NUT
128	124201X		SCREW SPECIAL
	5479J		PLUG BUTTON T

## TRACTOR - - MODEL NUMBER CTH14542A

### DECALS

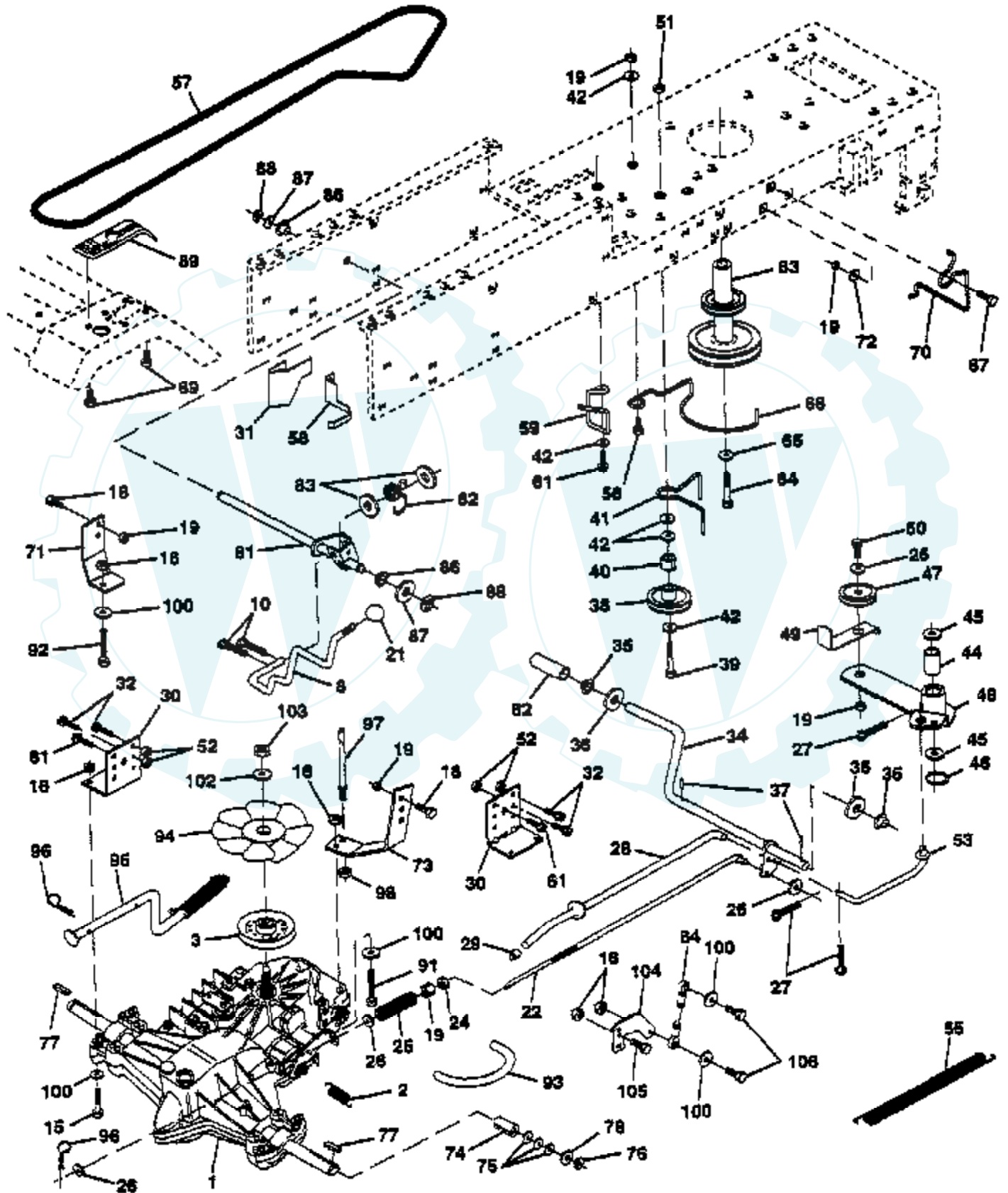


**NOTE:** All component dimensions given in U.S. inches.  
1 inch = 25.4 mm.

Ref #	Part Number	Qty	Description
1	138955		DECAL.DASH.INST.
2	136832		DECAL
3	137964		DECAL.GRILLE
4	146644		DECAL.INS.HD.RALL
5	140837		DECAL BRAK PARK
6	133796		DECAL
7	4900J		DECAL T
9	106202X		REFLECTOR-TAIL YT
10	146715		DECAL.HD.RH.RALLY
12	141801		DECAL CHAS 42 HYD
14	272991		DECAL, ENGINE
15	146716		DECAL.HD.LH.RALLY
16	137962		DECAL.FENDER
17	141400		DECAL INST STRWHL
20	135013		NLA
	138311		DECAL HANDLE LIFT
	145278		MANUAL.OP.GENERIC
	148018		MANUAL.P.CTH14542
	C42		GRASS CATCHER
	LC05		WHEEL WTS.
	MK420		MULCHING KIT W/BLADES
	LSB42		SNOW THROWER
	LBD48		SNOW BLADE
	CH208		TIRE CHAINS

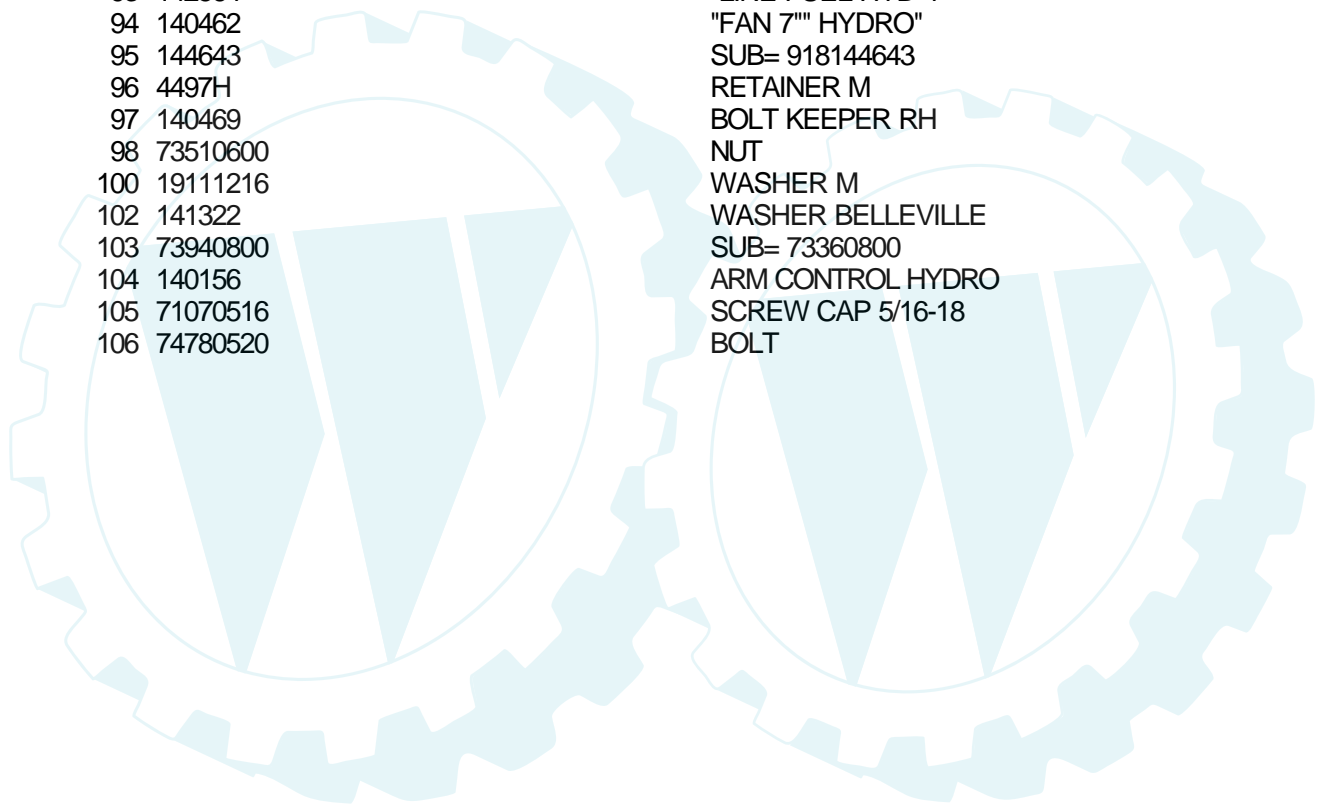
# TRACTOR - - MODEL NUMBER CTH14542A

## DRIVE



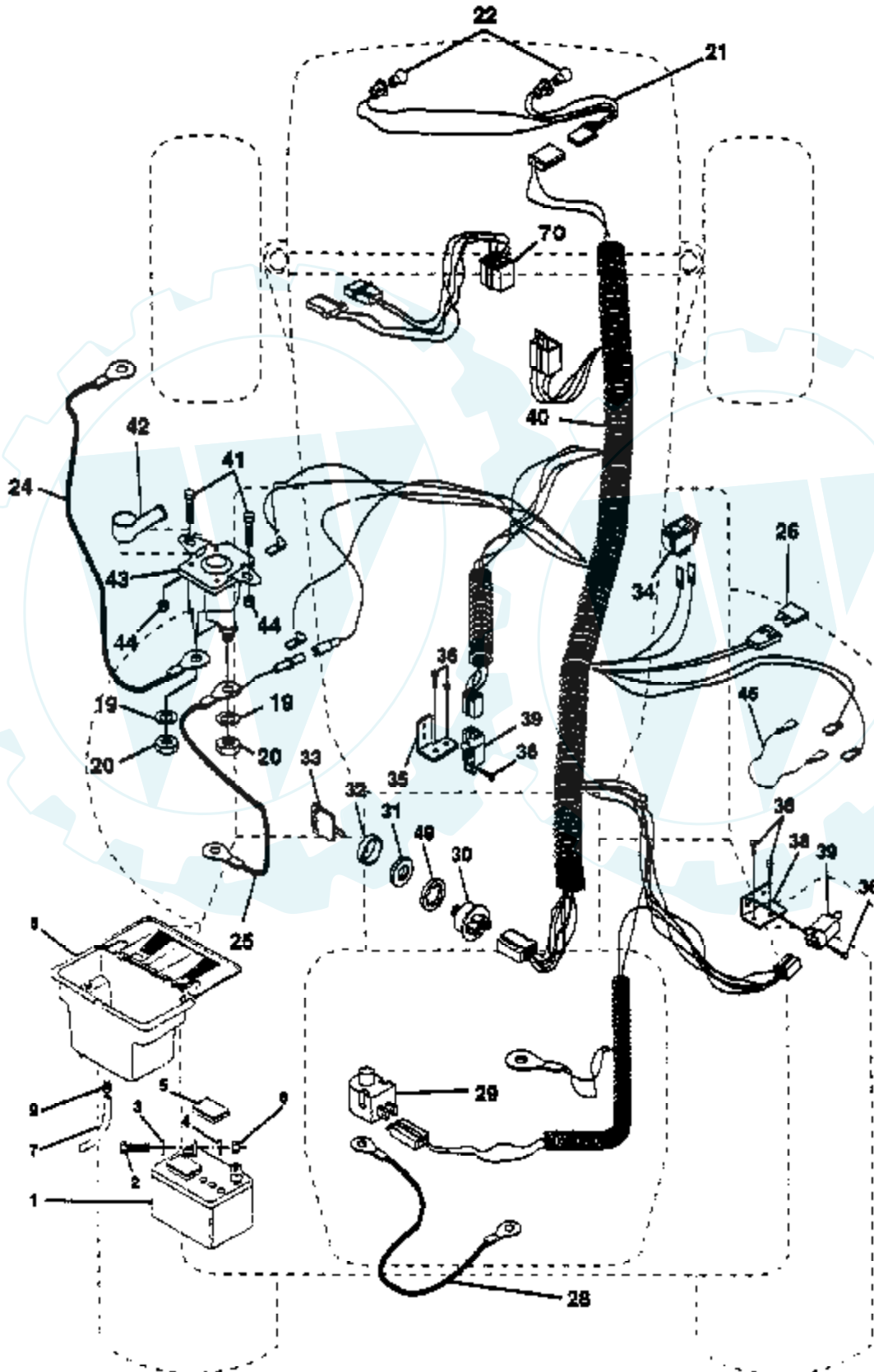
Ref #	Part Number	Qty	Description
1	144436		SUB= 150071
2	142431		SPRING RET BRAKE
3	143995		PULLEY.TRANSAXLE
8	141003		ROD SHIFT FEND LT
10	76020416		PIN COTTER 1/8
15	74780544		BOLT HEX
16	73800500		NUT
18	74780616		BOLT
19	73800600		NUT
21	140845		KNOB DLX BLK/BLK
22	145627		ROD.BRAKE.HYDRO.
24	73350600		NUT
25	106888X		SPRING ROD LT
26	19131316		WASHER
27	76020412		COTTER PIN
28	145204		ROD.BRAKE.PARK.LT
29	7733J		SUB= 71673
30	130807		TRANSAXLE MTG BKT
31	127275X		"KEEPER,BELT LH T"
32	74760512		BOLT
34	149001		SHAFT.PEDAL.FOOT
35	120183X		NYLON BEARING
36	19211616		WASHER LT
37	1572H		SUB= 2882J
38	123674X		PULLEY.IDLER.FLAT
39	74760644		BOLT
40	4470J		SPACER T
41	109070X		BELT KEEPER LT
42	19131312		WASHER
44	105706X		"LY, BEARING"
45	110812X		WASHER LT
46	12000039		KLIP RING
47	127783		SUB= 139245
48	123789X		ARM IDLER
49	123205X		RETAIN BELT
50	74760624		SUB= 74930624
51	73800600		NUT
52	73680500		SUB= 73690500
53	105710X		"LINK, CLUTCH T"
55	105709X		"SPRING, RETURN LT"
56	74760620		SUB= 74780620
57	140294		"BELT.GD DRV 82""
58	140470		KEEPER BELT LH
59	140312		KEEPER BELT CNTSP
61	17490612		SCREW
62	8883R		PEDAL COVER T
63	140186		PULLEY.ENGINE
64	71170764		BOLT
65	10040700		LOCKWASHER
66	129921		KEEPER.BELT.ENG.L
67	74760616		BOLT
69	142432		SCREW HEXWSH H-L
70	134683		KEEPER BELT ENG
71	140158		STRAP TORQ LH HYD
72	19132012		WASHER
73	140157		STRAP TORQ RH HYD
74	121199X		SPACER SPLIT
75	121749X		WASHER

Ref #	Part Number	Qty	Description
76	12000001		E-RING LT
77	123583X		SQUARE KEY
78	121748X		WASHER
81	140154		SUB= 156046
82	123782X		"SPRING,TORSION"
83	19171216		WASHER
84	140548		ROD.TIE.BALL.4.75
86	71208		BUSHING
87	19212016		WASHER D
88	12000008		KLIP RING
89	139988		SUB= 153764
91	74780536		NLA
92	74780524		HEX BOLT
93	142564		"LINE FUEL HYD 4""
94	140462		"FAN 7"" HYDRO"
95	144643		SUB= 918144643
96	4497H		RETAINER M
97	140469		BOLT KEEPER RH
98	73510600		NUT
100	19111216		WASHER M
102	141322		WASHER BELLEVILLE
103	73940800		SUB= 73360800
104	140156		ARM CONTROL HYDRO
105	71070516		SCREW CAP 5/16-18
106	74780520		BOLT



# TRACTOR -- MODEL NUMBER CTH14542A

## ELECTRICAL

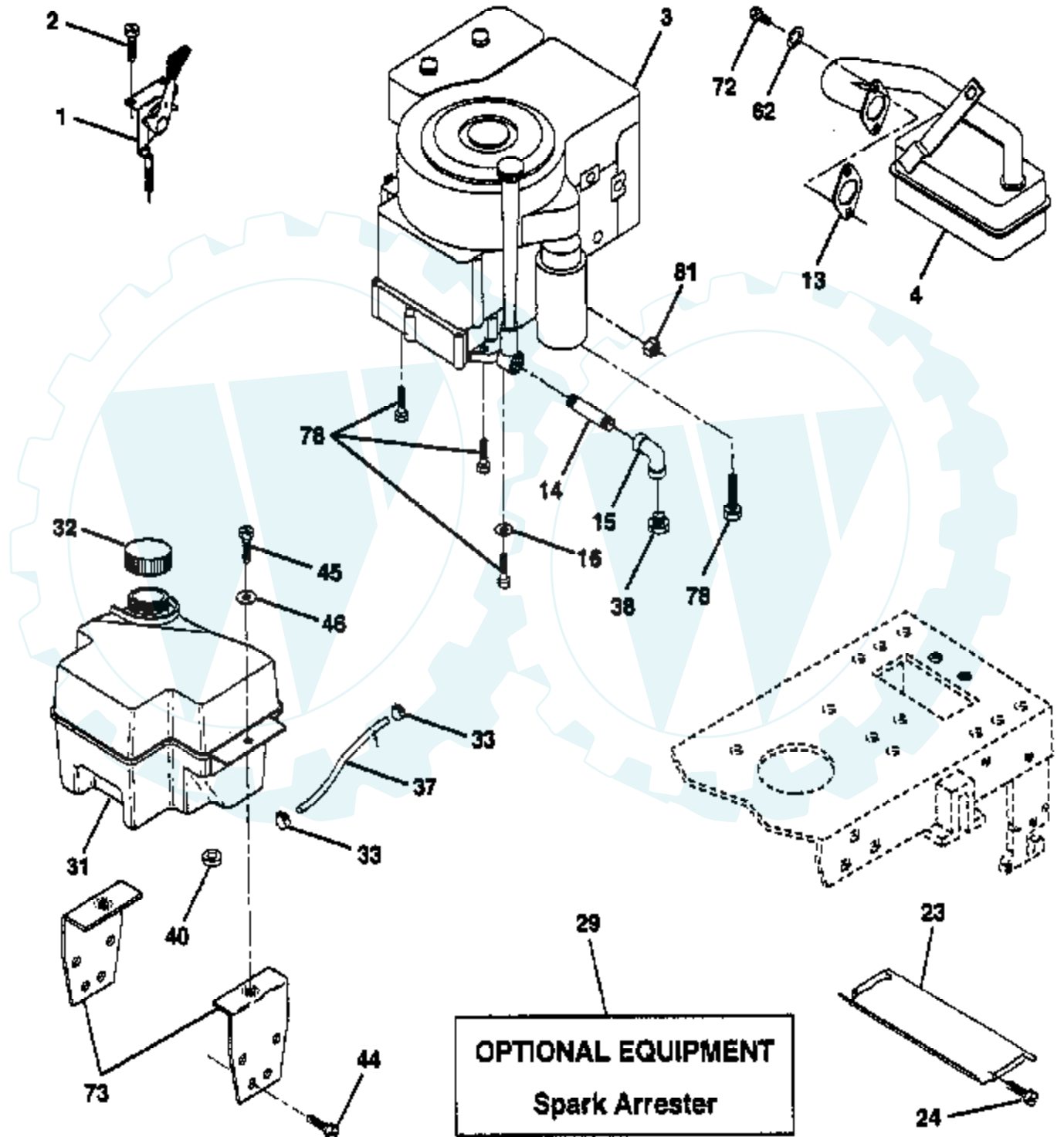




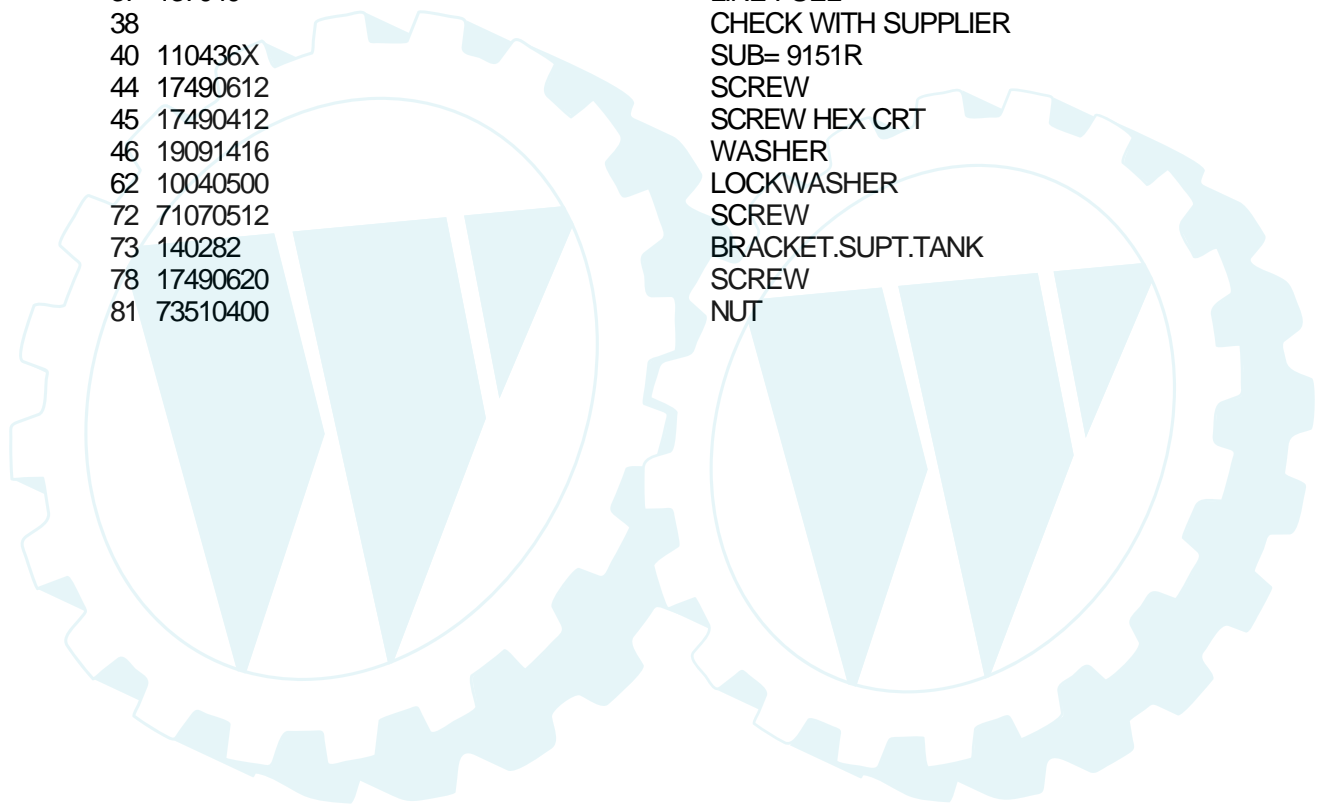
Ref #	Part Number	Qty	Description
1	121265X		SUB= 123899X
2	74760412		BOLT LT
3	19091016		WASHER
4	10040400		LOCKWASHER
5	121264X		"CAP,BATTERY "
6	73220400		SUB= 50675
7	109238X		TUBE T
8	144940		SUB= 156417
9	109596X		HOSE CLAMP T
19	10090400		SUB= 10040400
20	73350400		NUT
21	136850		"HARNES,LIGHT SOC"
22	4152J		HEADLAMP BULB
24	146136		CABLE.BTRY.6GA.RD
25	148009		CABLE.BTRY.6GA.38
26	108824X		FUSE HYT
28	4207J		CABLE T
29	121305X		SWITCH SEAT
30	144921		SUB= 163088
31	140400		SUB= 145774
32	141226		COVER KEY SWITCH
33	140401		KEY MLD GEN DELTA
34	110712X		SWITCH LT
35	108236X		BRACKET LT
36	17021008		SCREW
38	140336		BRACKET SWITCH IN
39	109553X		SWITCH INTERLOCKT
40	145489		HARNES.IGN.DASH.
41	71110412		BOLT.HX.1/4-20
42	131563		SUB= 154336
43	145673		SUB= 146154
44	73510400		NUT
45	140844		ADAPTER AMMETER
49	11151000		LOCKWASHER
70	140422		HARNES.ENG.DUAL

### TRACTOR - - MODEL NUMBER CTH14542A

#### ENGINE



Ref #	Part Number	Qty	Description
1	143893		CONTROL.THTL.19.6
2	17720410		SCREW LT
3	287707		ENGINE B&S
4	137352		MUFFLER
13	125593X		SUB= 272293
14	13280324		PIPE NIPPLE
15	13200300		ELBOW
16	11050600		LOCKWASHER
23	128953		HEAT SHIELD
29	137180		SUB= 532137180
31	140280		SUB= 161911
32	140527		CAP ASM FUEL
33	123487X		HOSE CLAMP
37	137040		LINE FUEL
38			CHECK WITH SUPPLIER
40	110436X		SUB= 9151R
44	17490612		SCREW
45	17490412		SCREW HEX CRT
46	19091416		WASHER
62	10040500		LOCKWASHER
72	71070512		SCREW
73	140282		BRACKET.SUPT.TANK
78	17490620		SCREW
81	73510400		NUT

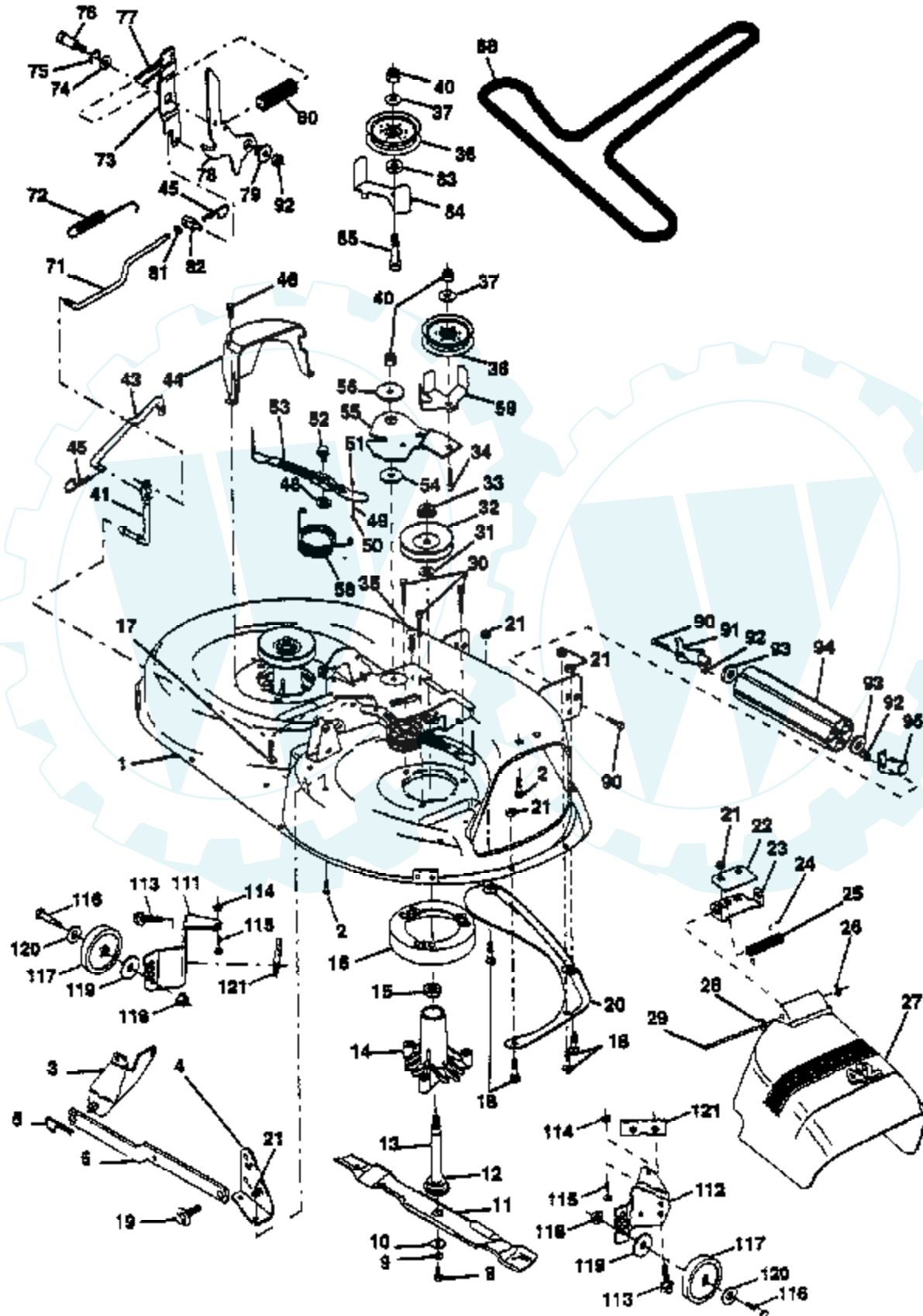




Ref #	Part Number	Qty	Description
1	142930		HOUSING.L.50074RM
2	142931		HOUSING.UP.70125
3	142932		SEAL.9008000-0128
4	142928		RING.RET.2003016.
5	142933		RING.RET.2003052.
6	142934		BEARING.(50552)42X68X16
7	142935		CRADLE- 2003023.
8	142936		BEARING.2003044.
9	142937		SWASHPLT.2003087.
13	142938		BLOCK.CLYN.70079.
14	142939		ARM.TRUN.2003005.
15	142940		SEAL.9008000-0126
17	142941		GUIDE.2000015.
18	142942		SHAFT.MOTOR.50115
19	142943		BEARING.THS.50019
23	142944		BLOCK.CYLIN.70082
24	142945		SEAL.LIP.45074
25	142946		ACTUATOR.2003555
26	142947		KIT.CENTER.70133
27	142948		SEAL.LIP.45075
28	142949		RING RETAIN 50007
29	142950		WASHER.44872
34	142951		ELEMENT.OIL.44964
35	142952		ARM.BYPASS.50270
36	142953		RING.RETAIN.44870
37	142954		ARM.ACTUAT.23710
38	142955		PIN.ACTUAT.44891
39	142956		SUB= 149705
40	142957		NUT.LOCK.HX.50108
41	142958		KIT.BRAKE.70135
43	142884		WASHER HYD 44130
44	142959		DIFFERENTIA.70130
52	142960		WASHER.HYD.50152
53	142961		SEAL.HYDRO.45076
54	142962		O RING.HYD.45077
56	142963		SHAFT.INPUT.50005
58	142964		BOLT.1/4-20.44876
59	142965		PIN.HYDRO.50002
62	142966		ARM.CONTROL.50254
63	142967		PUCK.DAMPER.50281
64	142920		SCREW.SET.50018.
68	142969		SPRING.HYD.50277
69	144610		STUD.5/16-24.DANA
83	142971		JACKSHAFT/PINION GEAR.70132
85	142972		JACKSHAFT.50086
88	142973		SCREW.CAP.50154.
89	142974		WASHER.HYD.50132
90	142975		BEARING.SLV.50118
91	142976		SEAL.WIPER.50941
92	142977		SPRING.2003014.
93	142978		WASHER.2003017
113	142917		CAP.VENT.70109
114	142918		O-RING.ASM.70110
119	142980		SPACER.HYD.50278
134	144607		NUT.CAS.HYD.44142
135	144608		PIN.COT.HYD.44101

### TRACTOR -- MODEL NUMBER CTH14542A

#### MOWER DECK



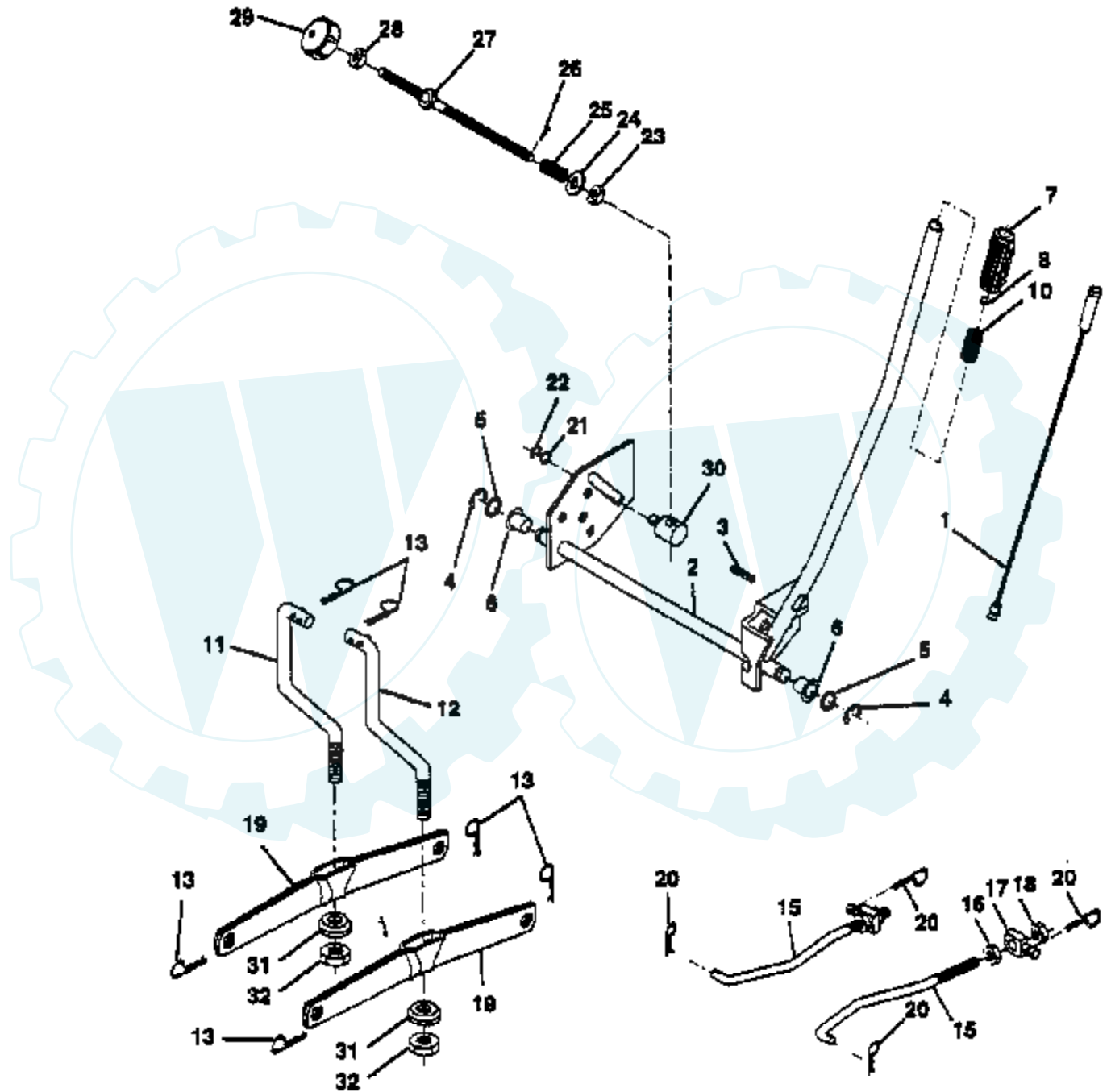
Ref #	Part Number	Qty	Description
1	144393		DECK.WELD.42.
2	72140506		BOLT
3	138017		BRKT ASM SWAY BAR
4	138440		BRKT DECK SW BAR
5	4939M		SUB= 85902
6	130832		SUB= 130833
8	850857		BLADE BOLT
9	10030600		SUB= 10040600
10	140296		WASHER.HARD.BLADE
11	138498		"BLADE.42"" HIPERF"
12	129895		BEARING.BALL
13	137645		SUB= 137646
14	128774		HSG ASM MANDREL
15	110485X		BEARING
16	140329		STRIPPER RND MWR
17	72110610		BOLT RDHD 3/8-16
18	72140505		BOLT
19	132827		BOLT SHD 5/16-18
20	136888		SUB= 918136888
21	73680500		SUB= 73690500
22	134753		STIFFENER BRKT
23	131267		DEFLECTOR BRKT
24	105304X		CAP-SLEEVE LT
25	123713X		SPRING TORSION
26	110452X		NUT PUSH M
27	130968		DEFLECTOR.SHIELD
28	19111016		WASHER
29	131491		HINGE ROD
30	138776		SUB= 157722
31	129963		WASHER
32	129861		SUB= 153535
33	137266		SUB= 139729
34	72110614		BOLT
35	133835		XMAS TREE FASTNER
36	131494		FLAT IDLER PULLEY
37	19131316		WASHER
40	73680600		SUB= 73690600
41	133551		PIVOT ROD
43	140083		ROD CLUTCH W/NIBS
44	140088		GUARD MAND LH BLK
45	4497H		RETAINER M
46	137729		SCREW.1/4-20X5/8
48	133944		HARD SMALL WASHER
49	133940		SUB= 151785
50	131340		SHOULDER BOLT
51	69180		LOCKNUT
52	139888		BOLT.SHLD.5/16-18
53	131845		BRAKE PAD ARM ASM
54	133943		HARDENED WASHER
55	140084		SUB= 151785
56	122052X		SPACER RETAINER
58	140086		SPRING TORSN BRAK
59	141043		GUARD IDLER TUV
68	144200		BELT.V.T-PATH
71	142427		ROD CLUTCH 38/42
72	146927		SPRING.EXT.RETURN
73	127847		CLUTCH ARM SECOND
74	121748X		WASHER

Ref #	Part Number	Qty	Description
75	12000029		RING
76	128903		SHOULDER BOLT
77	127845		SPRING KEEPER
78	140333		SUB= 140333X431
79	127498		BUSHING
80	128759		SUB= 918128759
81	73350600		NUT
82	142028		TRUNION ADJ
83	120958X		WASHER
84	144394		SUB= 156084
85	72140620		BOLT
90	74760616		BOLT
91	132274		SUB= 532132274
92	73800600		NUT
93	19171416		WASHER
94	132264		SUB= 532132264
95	132273		SUB= 532132273
111	140353		SUB= 155197
112	132262		SUB= 155198
113	17490512		SCREW
114	73510500		NUT
115	72110504		SUB= 872110504
116	4898H		BOLT M
117	105455X		WHEEL.GAGE.BLK.PL
118	73930600		LOCKNUT
119	19121414		WASHER
120	19171512		WASHER
121	143723		BRACKET.EXTRD.GWL
	130794		MANDREL ASM
	144783		SUB= 164962



## TRACTOR -- MODEL NUMBER CTH14542A

### MOWER LIFT

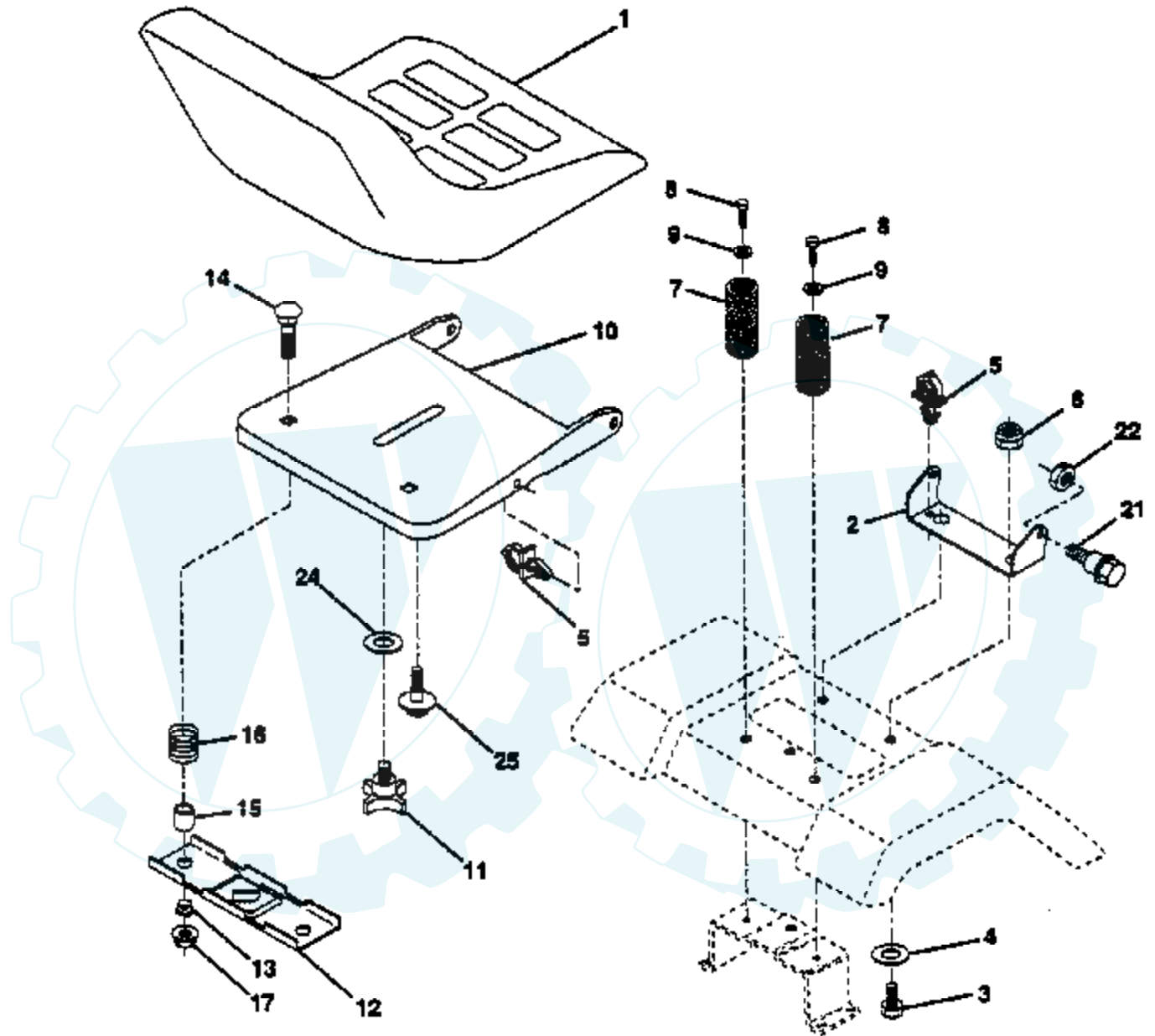


**NOTE:** All component dimensions given in U.S. inches.  
1 inch = 25.4 mm

Ref #	Part Number	Qty	Description
1	136971		WIRE.ASM.INNER
2	136968		SHAFT.ASM.LIFT.RH
3	138284		PIN GROOVE
4	12000002		SUB= 2225J
5	19211621		WASHER
6	120183X		NYLON BEARING
7	109413X		GRIP
8	124385X		SUB= 125925X
10	122512X		SUB= 532122512
11	139865		SUB= 918139865
12	139866		SUB= 151140
13	4939M		SUB= 85902
15	127218		LINK.FRONT
16	73350800		NUT
17	130171		TRUNION
18	73800800		NUT.LK.W/WSH.1/2.
19	139868		ARM SUSP REAR
20	3146R		RETAINER.SPRING
21	19151216		WASHER
22	12000037		KLIP RING
23	110807X		NUT T
24	19131016		WASHER
25	137150		SPRING.COMP.INF.H
26	76020308		SUB= 3145
27	137167		ROD.ADJ.LIFT
28	73350600		NUT
29	138057		KNOB INF 3/8-16
30	110810X		TRUNION LT
31	140302		BEARING PVT LH
32	73540600		NUT.CROWNLOCK.3/8

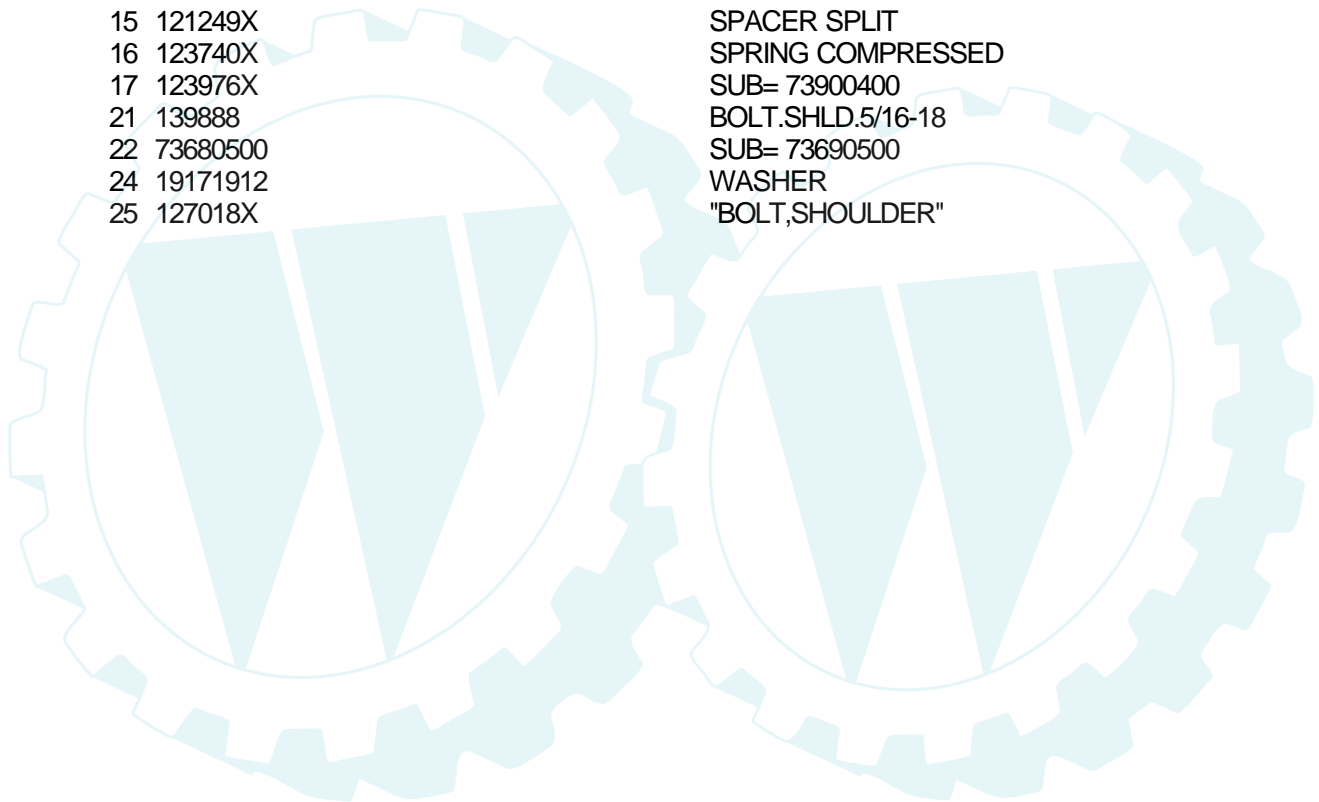
## TRACTOR -- MODEL NUMBER CTH14542A

### SEAT



**NOTE:** All component dimensions given in U.S. inches.  
1 inch = 25.4 mm

Ref #	Part Number	Qty	Description
1	127440		SUB= 140121
2	140551		BRACKET PVT SEAT
3	74760616		BOLT
4	19131610		WASHER PM
5	145006		CLIP.PUSH-IN.HING
6	73800600		NUT
7	124181X		SPRING COMPRESSIO
8	17490616		SCREW GTV
9	19131614		WASHER
10	140552		SUB= 155925
11	120068X		"KNOB 1/2"" YT"
12	121246X		BRKT SWITCH
13	121248X		BUSHING
14	72050411		SUB= 872050411
15	121249X		SPACER SPLIT
16	123740X		SPRING COMPRESSED
17	123976X		SUB= 73900400
21	139888		BOLT.SHLD.5/16-18
22	73680500		SUB= 73690500
24	19171912		WASHER
25	127018X		"BOLT,SHOULDER"

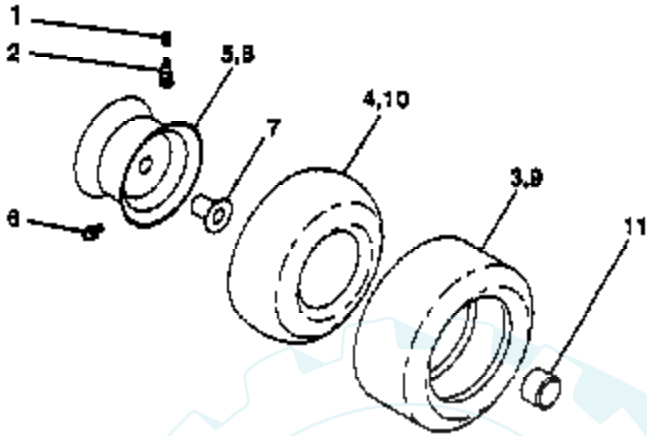




Ref #	Part Number	Qty	Description
1	140044		WHEEL STR AYP BLK
2	142033		AXLE ASM FRONT
3	135227		SPINDLE LH
4	135228		SPINDLE RH
5	6266H		WASHER .T
6	121748X		WASHER
7	19272016		WASHER
8	12000029		RING
9	3366R		COL. SRTG. BEAR.
10	130468		SUB= 532130468
11	10040600		LOCKWASHER
12	73610600		SUB= 7810H
13	110438X		BEARING
14	74011056		BOLT HEX 5/8-11
15	73901000		"NUT-LOC,FLANGE LT"
16	132624		AXLE PIN
17	128758		STEERING SHAFT
18	57079		THRUST WASHER
19	124035X		SUPPORT.SHAFT
20	126684X		SUB= 532126684
21	10040400		LOCKWASHER
22	71070410		"SCREW,SPECIAL"
23	127501		SUB= 918127501
24	109816X		NYLINER T
25	124036X		"BRKT,STEERING"
27	136874		GEAR SECTOR
29	17490612		SCREW
30	76020412		COTTER PIN
31	138171		BRKT.PVT.MAN.LVR.
32	139929		ROD.TIE.19.75
33	19111216		WASHER M
34	10040500		LOCKWASHER
35	73810500		NUT.LOCK.5/16-24
36	145207		BUSHING.STRG.3/4
37	17541008		SCREW.10-24X1/2
38	140045		CAP STEER AYP
39	100712K		WASHER
40	73940800		SUB= 73360800
41	100711L		ADAPTER LT
42	140216		BOOT SHAFT STEER
43	121749X		WASHER
45	106279X		CONTROL KNOB LT
46	121232X		CAP
47	6855M		ZERK M
48	146841		LEVER.ASM.CLUTCH
49	131291		LINK CLTCH W/NUTS
52	106451X		"BOLT, SHOULDER LT"
53	73680600		SUB= 73690600

## TRACTOR - - MODEL NUMBER CTH14542A

### WHEELS & TIRES



**NOTE:** All component dimensions given in U.S. inches.  
1 inch = 25,4 mm.

Ref #	Part Number	Qty	Description
1	59192		VALVE CAP
2	65139		VALVE STEM LT
3	106222X		SUB= 122073X
4	59904		TUBE.5.3/4.5/6
5	106732X473		"RIM.ASM.6""FRONT"
6	278H		FITTING LT
7	9040H		"FLANGE, BEARING"
8	106108X473		"RIM.ASM.8""REAR"
9	122082X		SUB= 918122082X
10	7152J		TUBE.18X9.5-8
11	104757X		HUB CAP

