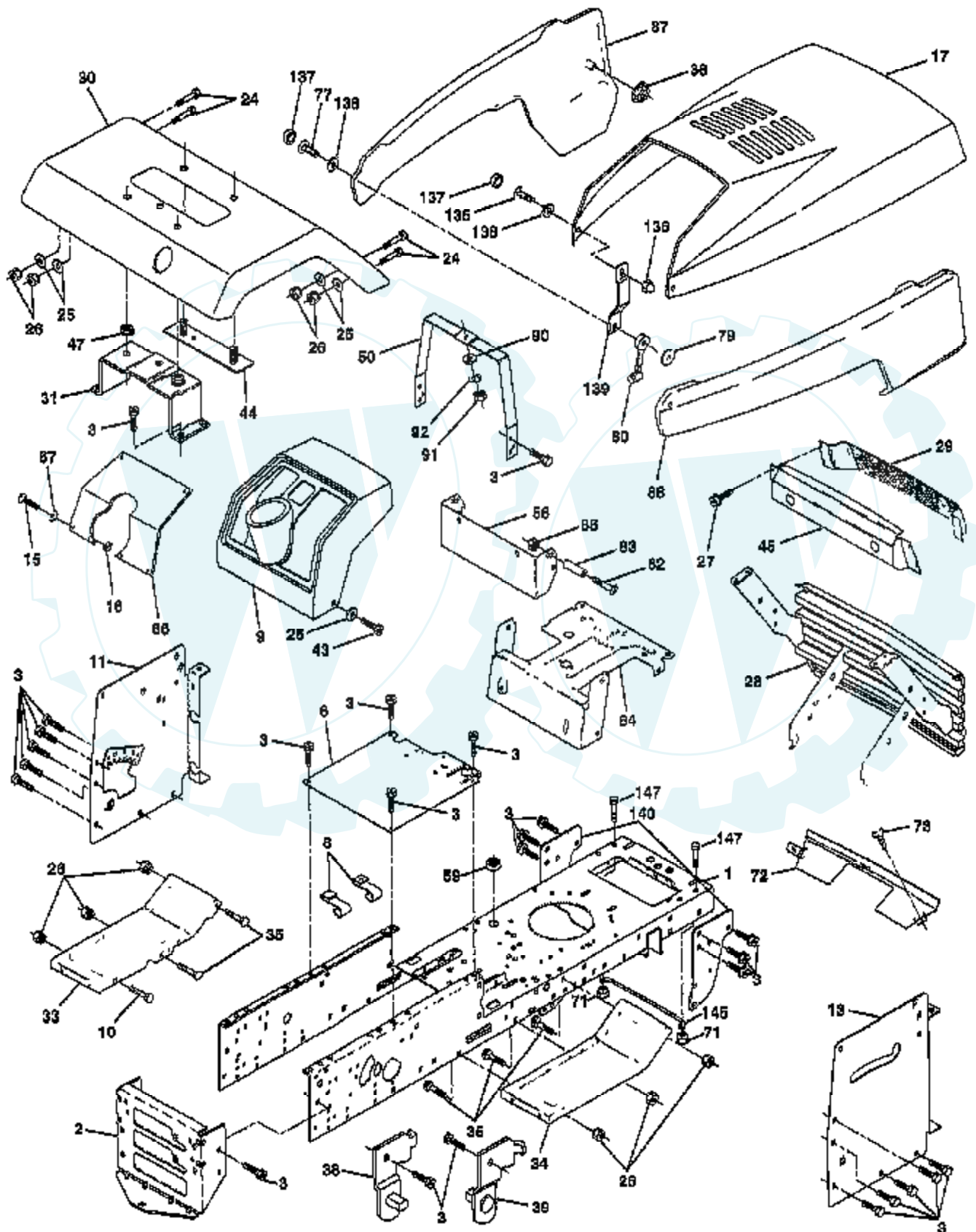


TRACTOR - - MODEL NUMBER CT18546B

CHASSIS AND ENCLOSURES



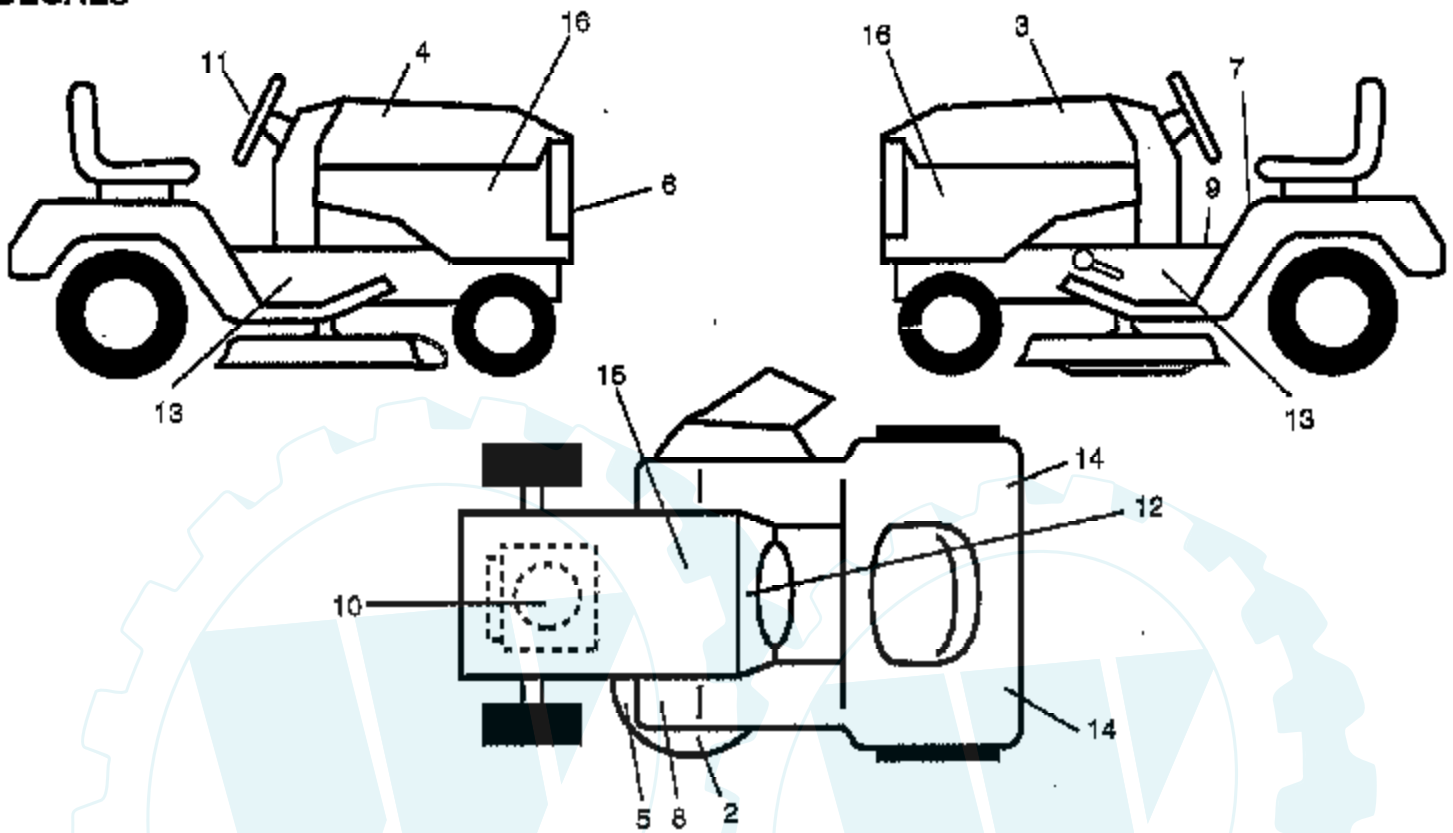
Ref #	Part Number	Qty	Description
1	159530		CHASSIS ASM
2	140356		SUB= 145009
3	17490612		SCREW
6	155923		SADDLE
8	126471X		"CLIP,INSULATOR"
9	140398		DASHBOARD BLACK
10	72140608		SUB= 72110608
11	145222		PANEL.DASH.LH.PNT
13	145221		PANEL.DASH.RH.PNT
15	74180512		SCREW
16	73510500		NUT
17	150301X550		HOOD PNT YARDPRO
24	74780616		BOLT
25	19131312		WASHER
26	73800600		NUT
27	17030814		SUB= 91817030814
28	150197		GRILLE ASM PNT
29	146459		LENS.BAR.CLEAR
30	140002X550		FENDER PNT
31	137113		BRKT.ASM.FENDER
33	145244X550		FOOTREST.LH.LT/GT
34	145243X550		FOOTREST.RH.LT/GT
35	72110606		BOLT
36	108067X		PAL NUT LT
38	139886		BRACKET ASM LH
39	139887		BRACKET ASM RH
43	17490612		SCREW
44	140675		STRAP ASM FENDER
45	147717		BEZEL.ASM.
47	105531X		NUT-PUSH YT
50	145205		DASH.SUPT.YP/HUSQ
56	150271		EXT DASH LTYT
59	110436X		SUB= 9151R
64	150272		DASH.LOWER.LT
66	156286X010		"PLATE DASH,SLKSCR"
67	19111116		WASHER
71	73680400		SUB= 73690400
72	144916X550		STRAP.PNT.GRILLE
73	17580408		SCREW CRT
74	73680600		SUB= 73690600
77	74191008		SCREW
79	2029J		WELDNUT
80	109808X		HOOD LATCH T
82	74981020		SCREW
83	7206J		SPACER LT
85	73731000		NUT
86	150303X550		PANEL PNT RH SIDE
87	150302X550		PANEL PNT LH SIDE
90	19091216		WASHER PM
91	73220400		SUB= 50675
92	10040400		LOCKWASHER
108	74760612		SUB= 74780612
135	74291006		SCREW.10-24X3/8.
136	60867		ACORN NUT RB
137	110356X		SNAP CAP LT
138	110357X		WASHER LT
139	150195		BKT.SPT.HOOD/PANL
140	158418		BRKT SUSPENSION

Ref #	Part Number	Qty	Description
145	156524		"ROD POVOT,CHASSIS"
147	74760412		BOLT LT
	121794X		COVER ACCESS
	8022J		PLUG-DASH T



TRACTOR - - MODEL NUMBER CT18546B

DECALS

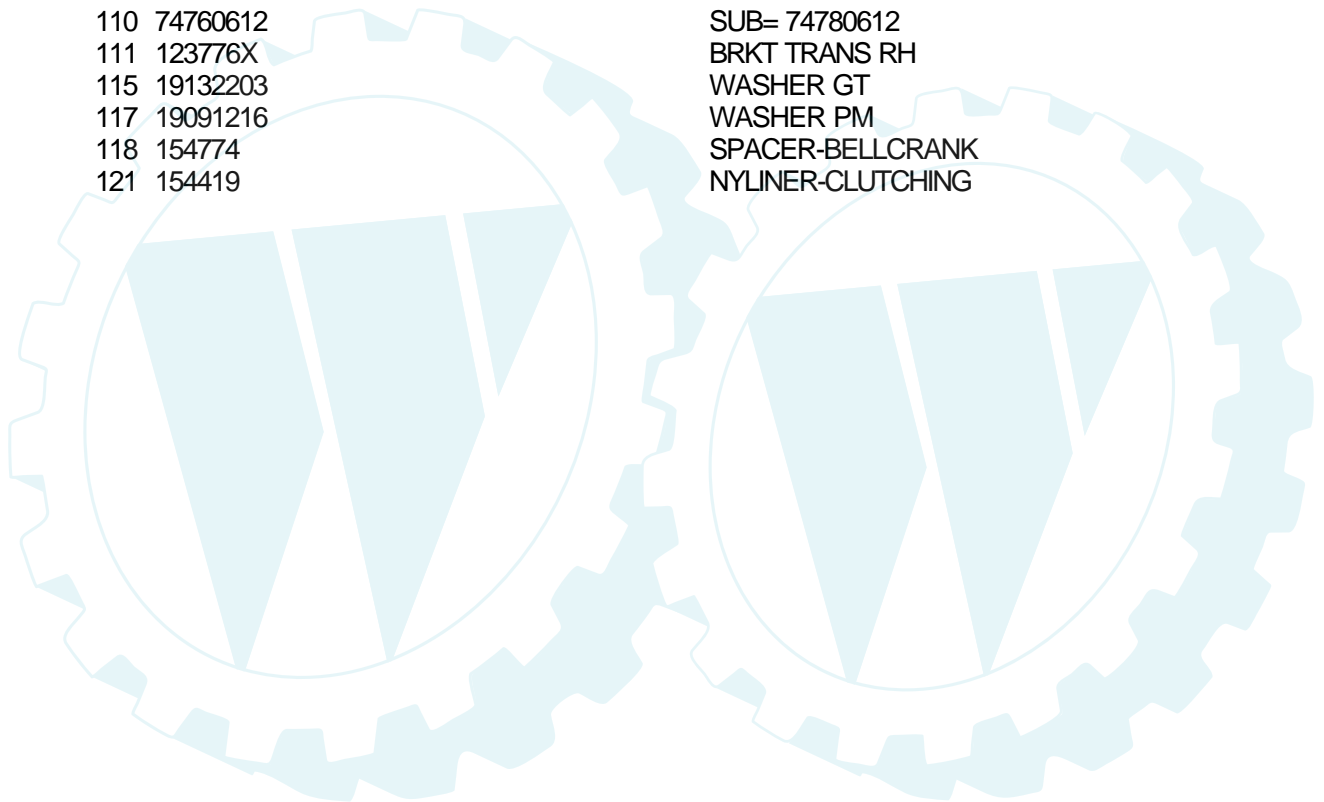


NOTE: All component dimensions given in U.S. inches
1 inch = 25.4 mm

Ref #	Part Number	Qty	Description
2	134999		"DECAL,ENVIRO DECK"
3	159328		"DECAL HOOD,LH"
4	159327		DECAL HOOD RH
5	139346		"DECAL.V.BELT.44""
6	158889		DECAL GRILLE
7	157002		"DECAL DANGER,FEND"
8	4900J		DECAL T
9	140837		DECAL BRAK PARK
10	273063		DECAL, HP, ENGINE
11	158887		DECAL INST STG WH
12	156834		"DECAL-OPER,GEAR D"
13	159329		DECAL CHASSIS
14	106202X		REFLECTOR-TAIL YT
15	145005		DECAL.BATRY.3-3908
16	159252		"DECAL PANEL,SIDE"
	133671		FOOTREST PAD
	138311		DECAL HANDLE LIFT
	159734		MANUAL.O.CT18546B
	LSB42		SNOW THROWER
	TA321		55LB. WHEEL WTS.
	LA028		TIRE CHAINS
	LBD48		SNOW BLADE
	TX11		SLEEVE HITCH
	CL46		3 BIN BAGGER

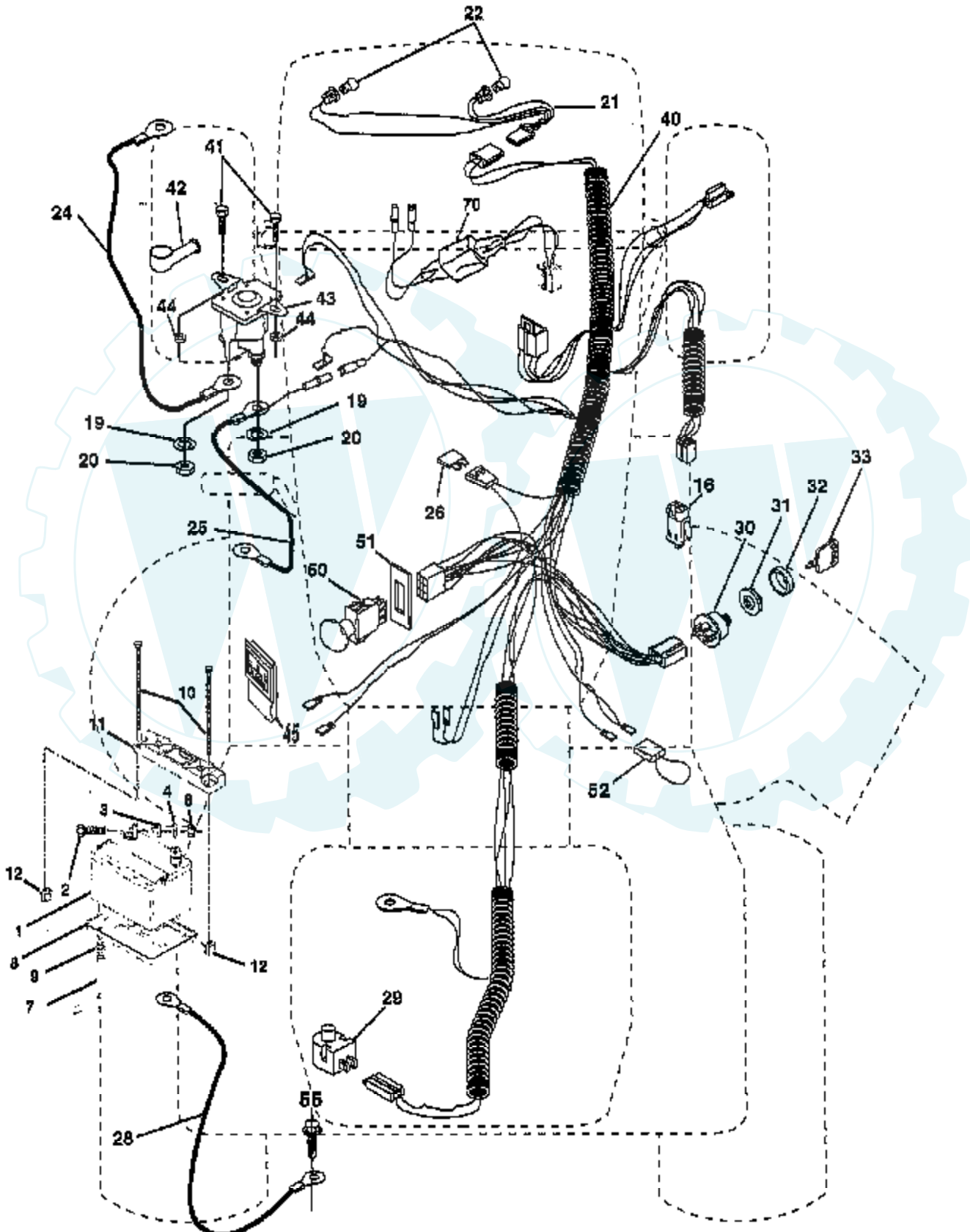
Ref #	Part Number	Qty	Description
1	820-016C		TRANSAXLE PEERLESS
2	110422X		SUB= 146682
3	121327X		PULLEY TRANSAXLE
4	12000004		RING
5	123787X		STRAP TORQUE
6	17490512		SCREW
8	141002		ROD SHIFT FEND YT
9	137140		SUB= 142600
10	76020416		PIN COTTER 1/8
11	105701X		WASH-SHFT PLT LT
13	74550412		BOLT.1/4-28.W/PAT
15	74490544		BOLT.HX.FLG.5/16
17	126197X		WASHER
19	73800600		NUT
20	150280		BOLT.7/16-20X4.25
21	106933X		KNOB T (1/2-HOLE)
22	145340		ROD.ASM.BK.44.MWR
23	137141		BRACKET.ASM.MTG
24	73350600		NUT
25	126909X		"SPRING,ROD BRAKE"
26	19131316		WASHER
27	76020412		COTTER PIN
28	145204		ROD.BRAKE.PARK.LT
29	71673		PLUNGER CAP T
30	123780X		BRKT TRANS LH
31	123791X		KEEPER BELT LH
33	72140506		BOLT
34	155071		SHAFT ASM-PEDAL F
35	120183X		NYLON BEARING
36	19211616		WASHER LT
37	1572H		SUB= 2882J
38	123674X		PULLEY.IDLER.FLAT
39	74760644		BOLT
40	4470J		SPACER T
41	1544777		KEEPER, IDLER
42	19131312		WASHER
43	19111012		WASHER T
47	127783		SUB= 139245
48	154604		BELLCRANK ASM
49	123205X		RETAIN BELT
50	74760624		SUB= 74930624
51	73680600		SUB= 73690600
52	73680500		SUB= 73690500
53	105710X		"LINK, CLUTCH T"
54	126471X		"CLIP,INSULATOR"
55	105709X		"SPRING, RETURN LT"
56	74760620		SUB= 74780620
57	123796X		BELT.GRDRV.94.75
58	123792X		"KEEPER,BELT RH"
59	140312		KEEPER BELT CNTSP
61	17490612		SCREW
62	8883R		PEDAL COVER T
63	136906		PULLEY ENGINE
65	10040700		LOCKWASHER
66	154778		KEEPER-BELT
74	108097X		SPACER HYT
75	123800X		WASHER
76	12000053		E RING HYT

Ref #	Part Number	Qty	Description
77	9396E		SQ KEY STD
79	2228M		SUB= 2228M1
80	123794X		"ARM,SHIFT"
81	123772X		"SHAFT,SHIFTER"
82	123782X		"SPRING,TORSION"
83	19171216		WASHER
84	155189		"ROD LINK,SHIFT AD"
85	150360		NUT.CNT.LOCK.1/4
86	71208		BUSHING
87	19212016		WASHER D
88	12000008		KLIP RING
89	139992		CONSOLE SHIFTER
90	124346X		NUT
96	4497H		RETAINER M
110	74760612		SUB= 74780612
111	123776X		BRKT TRANS RH
115	19132203		WASHER GT
117	19091216		WASHER PM
118	154774		SPACER-BELLCRANK
121	154419		NYLINER-CLUTCHING



TRACTOR - - MODEL NUMBER CT18546B

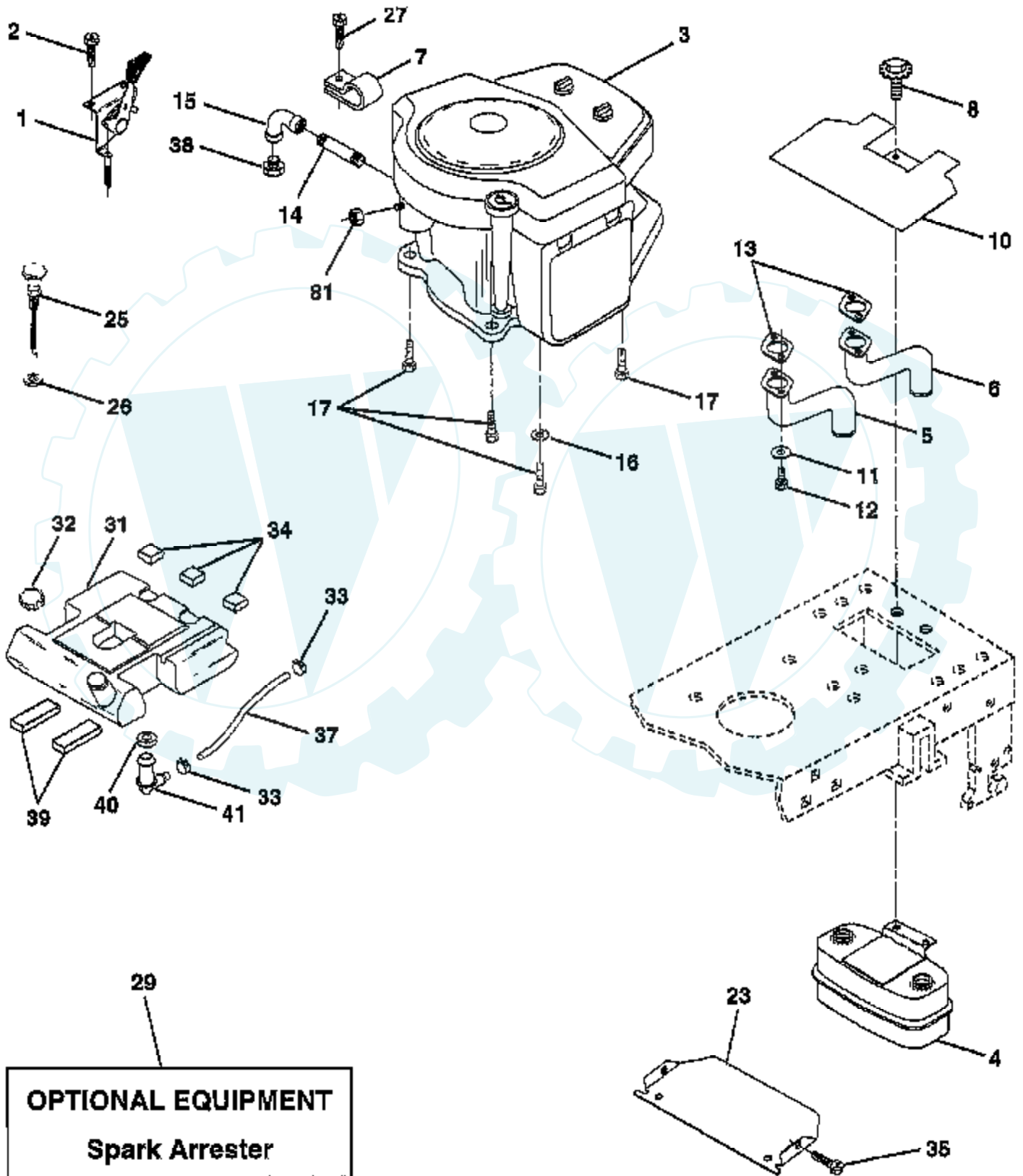
ELECTRICAL



Ref #	Part Number	Qty	Description
1	144926		SUB= 123899X
2	74760412		BOLT LT
3	19091016		WASHER
4	10040400		LOCKWASHER
6	73220400		SUB= 50675
7	7697J		"DRAIN TU T, BATT"
8	7603J		"TRAY T, BATTERY"
9	109596X		HOSE CLAMP T
10	145211		SUB= 150177
11	150109		HOLDDOWN BATTERY
12	145769		SUB= 150177
16	153664		SWITCH INTERLOCK
19	10090400		SUB= 10040400
20	73350400		NUT
21	136850		"HARNES,LIGHT SOC"
22	4152J		HEADLAMP BULB
24	4799J		"CABLE T, BATTERY"
25	146148		CABLE.6GA.22W/16W
26	108824X		FUSE HYT
28	145491		CABLE.GRND.6GA.21
29	121305X		SWITCH SEAT
30	140301		SWITCH IGN 4POS
31	124211X		NUT IGNITION
32	141226		COVER KEY SWITCH
33	122147X		KEY
40	156153		HARNES IGNITION
41	71110408		BOLT HXHD FIN
42	131563		SUB= 154336
43	145673		SUB= 146154
44	73640400		NUT HXKEP 1/4X20
45	121433X		SUB= 122822X
50	154959		PTO SWITCH.BLK
51	140405		RING RETAIN PTO
52	141940		PROTECTION LOOP
55	17490508		SCREW LT
70	146096		HARN.ENG.TRI-CKT

TRACTOR - - MODEL NUMBER CT18546B

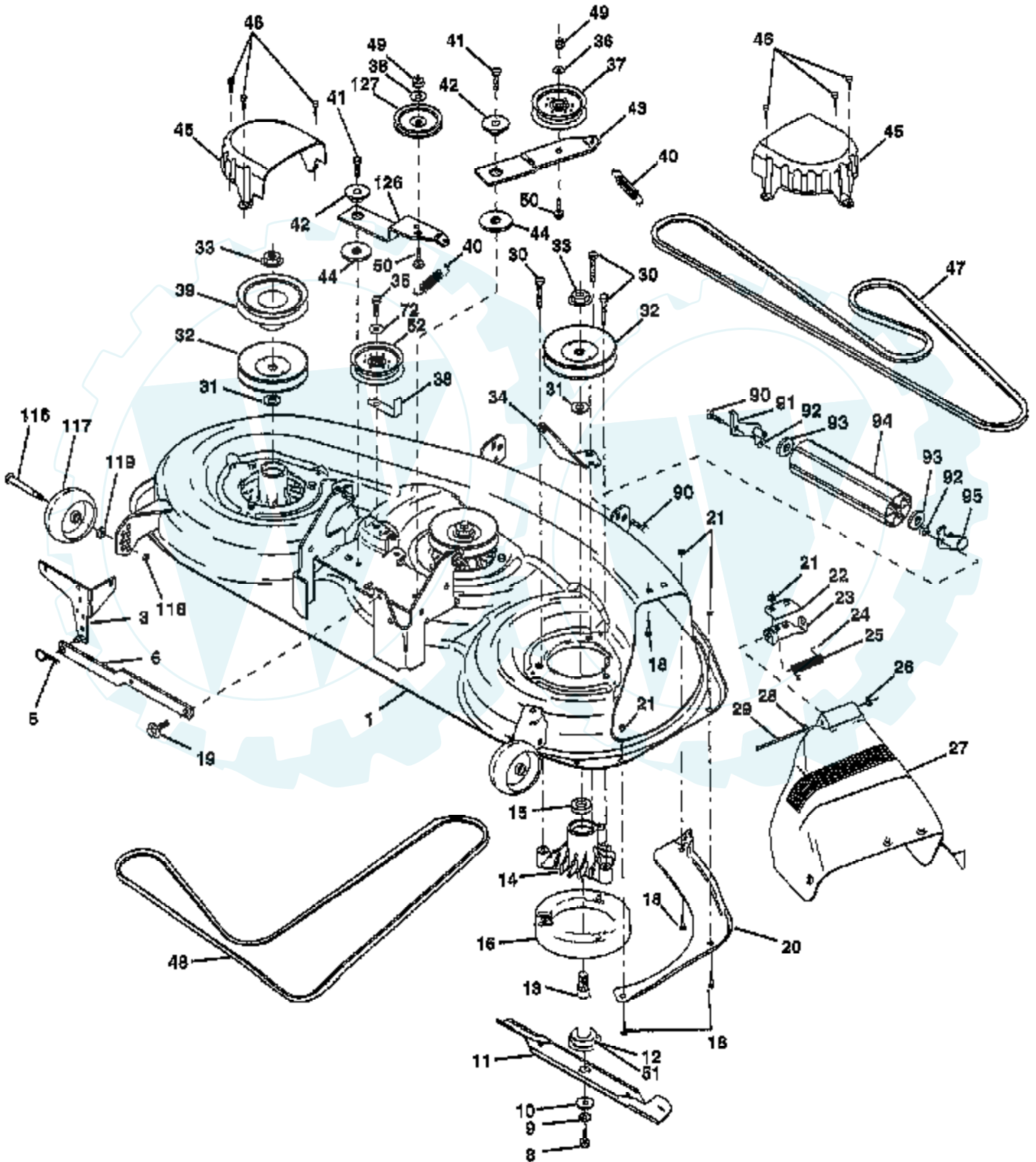
ENGINE



Ref #	Part Number	Qty	Description
1	132748		SUB= 532132748
2	17720410		SCREW LT
3	42D707		ENGINE, BRIGGS
4	149723		MUFFLER.TW.LOTONE
5	144069		EXHAUST.B&S.18.LH
6	144068		EXHAUST.B&S.18.RH
7	138129		CLAMP.TUBE.DBL.EN
8	150176		BOLT.5/16-18.UNC
10	145552		SHIELD.HEAT.
11	10040400		LOCKWASHER
12	74780412		SUB= 74780414
13	272250		GASKET MUFFLER
14	13280336		PIPE NIPPLE LT
15	13200300		ELBOW
16	11050600		LOCKWASHER
17	17490624		SCREW LT
23	156123		SHIELD-HEAT
25	138672		"CONTROL.CHOKE.51""
26	73920600		"NUT,KEPS 3/8-24IM"
27	152927		"SCREW-TT,10-32 FL"
29	137180		SUB= 532137180
31	151346		TANK FUEL REAR
32	140527		CAP ASM FUEL
33	123487X		HOSE CLAMP
34	106082X		PAD-SPACER LT
35	17490512		SCREW
37	8543R		FUEL LINE T
38			CHECK WITH SUPPLIER
39	109227X		PAD IDLER TI
40	3645J		BUSHING OUTLET T
41	139277		STEM.TANK.FUEL
81	128861		NUT

TRACTOR -- MODEL NUMBER CT18546B

MOWER DECK



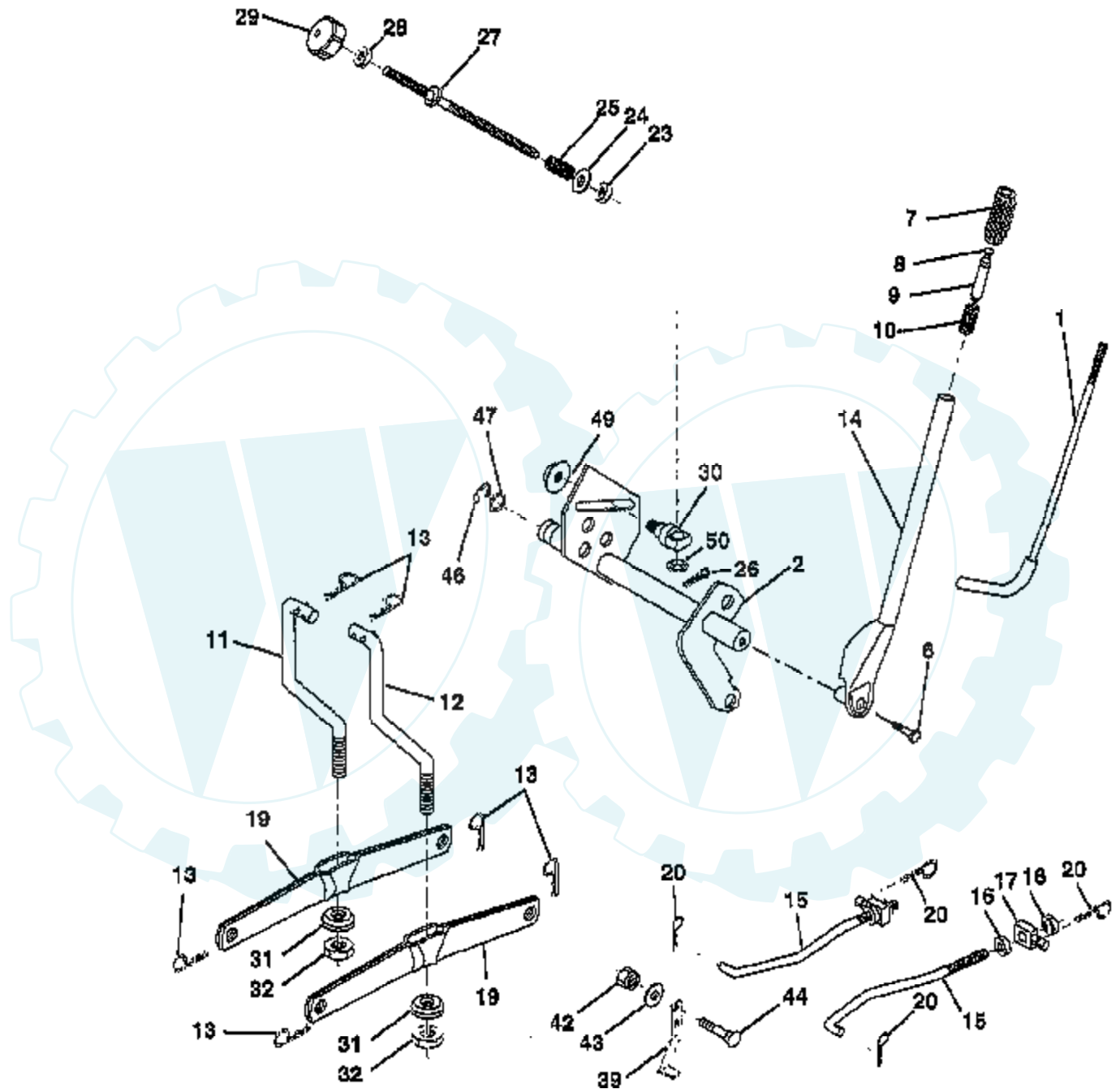
Ref #	Part Number	Qty	Description
1	155948		DECK ASM. MOWER 46"
3	138457		BRKT.ASM.SW.44/50
5	4939M		SUB= 85902
6	130832		SUB= 130833
8	850857		BLADE BOLT
9	10030600		SUB= 10040600
10	140296		WASHER.HARD.BLADE
11	157353		SUB= 159705
12	129895		BEARING.BALL
13	137553		SHAFT.ASM.W/BRNG
14	137152		HOUSING.MAND.44.V
15	110485X		BEARING
16	140329		STRIPPER RND MWR
18	72140505		BOLT
19	132827		BOLT SHD 5/16-18
20	145055		BAFFLE.VORTEX.46
21	73680500		SUB= 73690500
22	134753		STIFFENER BRKT
23	131267		DEFLECTOR BRKT
24	105304X		CAP-SLEEVE LT
25	1237137X		SPRING, TORSION, DEFLECTOR
26	157788		SHIELD DEFLECTOR
27	145325		SUB= 157788
28	19111016		WASHER
29	131491		HINGE ROD
30	138776		SUB= 157722
31	129963		WASHER
32	153531		PULLEY.MAND.36/46
33	137266		SUB= 139729
34	144945		ANCHOR.SPRING.46
35	17490628		SCREW LT
36	19131316		WASHER
37	131494		FLAT IDLER PULLEY
38	156086		"KEEPER BELT,IDLER"
39	144917		PULLEY.DRV.DCK.46
40	137273		"SPRING.SEC.44""VEN"
41	17490620		SCREW
42	122052X		SPACER RETAINER
43	144949		ARM.IDLER.DECK.46
44	133943		HARDENED WASHER
45	145059		COVER.MANDREL.46
46	137729		SCREW.1/4-20X5/8
47	144959		BELT-V.SEC.46.KEL
48	139573		BELT V PRIM 50
49	73680600		SUB= 73690600
50	72110612		BOLT.3/8-16X1.50
51	153390		WASHER.FELT.
52	156493		"PULLEY IDLER,FLAT"
72	19131616		WASHER HYT
90	14160616		BOLT
91	132274		SUB= 532132274
92	73800600		NUT
93	19171416		WASHER
94	132264		SUB= 532132264
95	132273		SUB= 532132273
116	146851		BOLT.SHOULDER
117	146850		WHEEL GUAGE MED.
118	73930600		LOCKNUT

Ref #	Part Number	Qty	Description
119	19121414		WASHER
126	144948		ARM.IDLER.PRIM.46
127	146763		PULLEY.IDLER.4.25
	143651		MANDREL SERV ASM
	157251		MOWER SERV DECK46



TRACTOR - - MODEL NUMBER CT18546B

MOWER LIFT

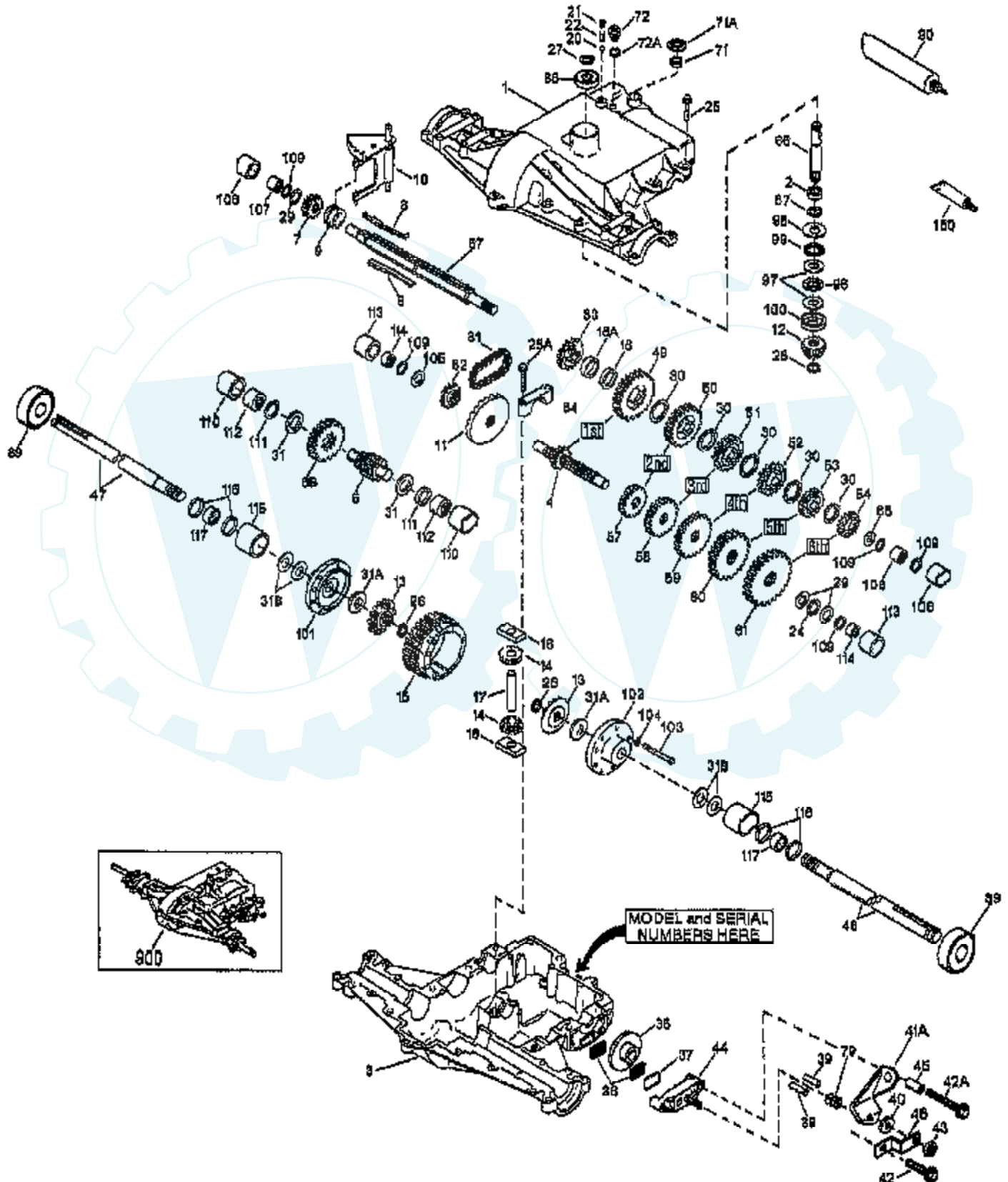


NOTE: All component dimensions given in U.S. Inches
1 Inch = 25.4 mm

Ref #	Part Number	Qty	Description
1	121006X		LEVER ROD LT
2	140673		SHAFT LIFT W/IND
6	74780624		"BOLT,HEX"
7	109413X		GRIP
8	124526X		SUB= 125925X
9	122364X		SUB= 125925X
10	2876H		SPRING T
11	145537		LINK.LIFT.LH.GTV
12	145536		LINK.LIFT.RH.GTV.
13	4939M		SUB= 85902
14	121002X		SUB= 123096X
15	127218		LINK.FRONT
16	73350800		NUT
17	130171		TRUNION
18	73800800		NUT.LK.W/WSH.1/2.
19	139868		ARM SUSP REAR
20	3146R		RETAINER.SPRING
23	110807X		NUT T
24	19131016		WASHER
25	137150		SPRING.COMP.INF.H
26	76020308		SUB= 3145
27	137167		ROD.ADJ.LIFT
28	73350600		NUT
29	138057		KNOB INF 3/8-16
30	150233		TRUNNION
31	140302		BEARING PVT LH
32	73540600		NUT.CROWNLOCK.3/8
39	142992		STOP.OVER.CENTER
42	73680600		SUB= 73690600
43	19131612		WASHER GT
44	72240608		BOLT
46	12000022		E-RING
47	19292016		WASHER
49	145212		NUT.HXFLG.LOCK.
50	110452X		NUT PUSH M

TRACTOR - - MODEL NUMBER CT18546B

PEERLESS TRANSAXLE - MODEL NUMBER P820-016C

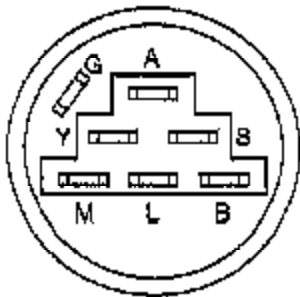
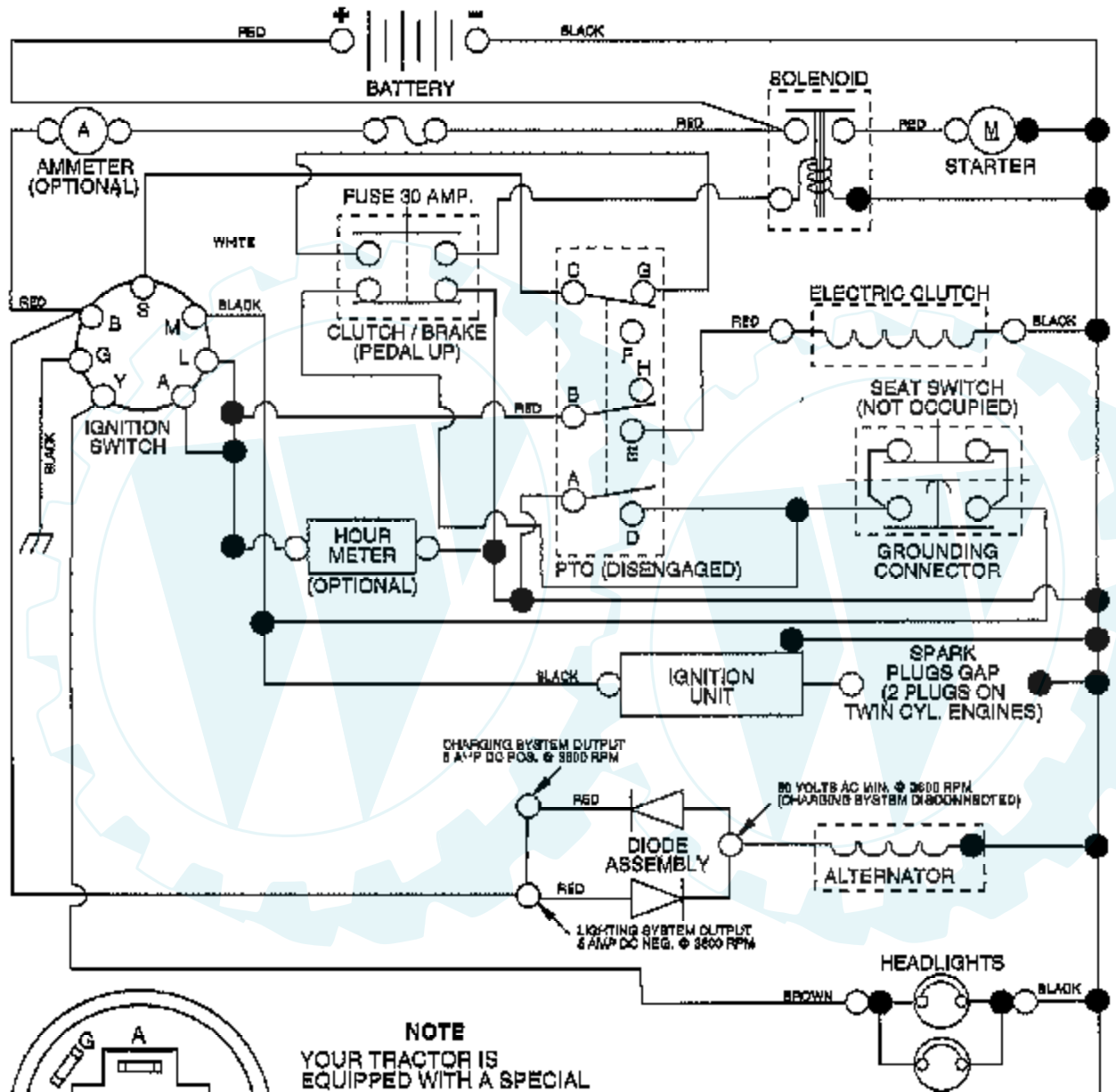


Ref #	Part Number	Qty	Description
	794513		TRANSAXLE, COMPLETE
1	772098A		COVER TRANSAXLE
2	780155		BEARING NEEDLE
3	770088		CASE TRANSAXLE
4	776291		SHAFT COUNTER
5	776275		SHAFT, OUTPUT, 9T
6	778247		GEAR, OUTPUT, 35T
7	778253		GEAR, SPUR, 15T
8	792138		KEY
9	784216		COLLAR SHIFT
10	784342		ROD AND FORK ASSY SHIFT
11	778246		GEAR BEVEL, 33T
12	778245		BEVEL PINION, 13T
13	778198		GEAR BEVEL
14	778197		PINION, 10T
15	778248		GEAR, RING, 31T
16	786027		BLOCK DRIVE
17	786019		PIN DRIVE
18	786121		SPACER, .350/.340 THICK
18A	786122		SPACER, .276/.268 THICK
20	792077		BALL STEEL, 5/16" DIA.
21	792078		SCREW, 3/8-16 X 3/8"
22	792079		SPRING
24	780071		THRUST BEARING
25	792129		SCREW HEX HD 5/16-18 X 1-1/4
25A	792073		SCREW, 1/4-20 X 1-1/4
26	792018		RING STRAP
27	792018		RING STRAP
28	788040		RETAINING RING
29	780072		WASHER THRUST
30	780108		WASHER THRUST
31	780128		WASHER THRUST
31A	780107		WASHER
31B	780042		WASHER THRUST
36	790043		DISK BRAKE
37	790007		PLATE BRAKE PAD
38	799021		BRAKE PAD
39	786026		PIN DOWEL
40	792076A		WASHER
41	790047		LEVER BRAKE
42	792073		SCREW, 1/4-20 X 1-1/4
42A	792085A		SCREW, 1/4-20 X 2-1/4
43	792075		LOCKNUT 5/16-24
44	790025		HOLDER BRAKE PAD
45	786067		SPACER
46	786086		BRKT BRAKE LEVER
47	774832		AXLE, 12-5/16" LONG
48	774831		AXLE, 16-3/16" LONG
49	778216A		GEAR, SPUR, 41T
50	778206A		GEAR, SPUR, 35T
51	778205A		GEAR, SPUR, 30T
52	778204A		GEAR, SPUR, 25T
53	778203A		GEAR, SPUR, 22T
54	778273		GEAR, SPUR, 19T
57	778199		GEAR, SPUR, 15T
58	778200		GEAR, SPUR, 20T
59	778201		GEAR, SPUR, 25T
60	778202		GEAR, SPUR, 28T

Ref #	Part Number	Qty	Description
61	778208		GEAR, SPUR, 31T
65	780139		WASHER
66	776274		SHAFT INPUT
67	776313		SHAFT BRAKE
71	788069		SEAL SQUARE CUT
71A	792145		PUSHNUT
72	792165		THREADED PLUG 9/16-18
72A	788091		"O" RING
79	792144		SPRING
81	786081		CHAIN, ROLLER
82	786082		SPROCKET 9T
83	786123		SPROCKET 18T (REV)
84	786131		BEARING CAP
87	788042		OIL SEAL 3/4
88	780119		BEARING BALL
89	780050		BEARING BALL
90	788067B		GREASE BENTONITE, 32 OZ.
96	780084		BEARING THRUST
97	780051		WASHER THRUST
98	780165		WASHER
99	788077		"O" RING
100	780166		WASHER CUPPED
101	774833		CARRIER DIFF THREADED HOLES
102	774834		CARRIER DIFF
103	792020		SCREW, 1/4-20 X 2-1/4
104	792006		WASHER LOCK 1/4
105	780153		WASHER
106	786144		SLEEVE
107	780152		BEARING NEEDLE
108	780150		BEARING NEEDLE
109	792001		"O" RING
110	786142		SLEEVE STEPPED
111	788071		RING SQ CUT
112	780168		BEARING NEEDLE CAPPED
113	786143		SLEEVE STEPPED
114	780151		BEARING NEEDLE CAPPED
115	786145		SLEEVE STEPPED
116	788070		RING SQ CUT
117	780031		BEARING NEEDLE
150	788093		GASKET ELIMINIATOR
900	794513		TRANSAXLE, COMPLETE

TRACTOR - - MODEL NUMBER CT18546B

SCHEMATIC



IGNITION SWITCH

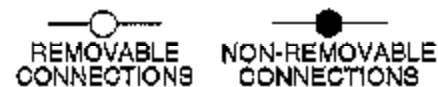
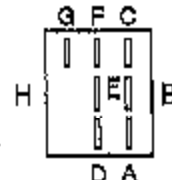
POSITION	CIRCUIT	"MAKE"
OFF	G + M + L	NONE
RUNLIGHT	B + L	A + Y
RUN	B + L	NONE
START	B + L + S	NONE

NOTE

YOUR TRACTOR IS EQUIPPED WITH A SPECIAL ALTERNATOR SYSTEM. THE LIGHTS ARE NOT CONNECTED TO THE BATTERY, BUT HAVE THEIR OWN ELECTRICAL SOURCE. BECAUSE OF THIS, THE BRIGHTNESS OF THE LIGHTS WILL CHANGE WITH ENGINE SPEED. AT IDLE THE LIGHTS WILL DIM, AS THE ENGINE IS SPEEDED UP, THE LIGHTS WILL BECOME THEIR BRIGHTEST.

PTO SWITCH

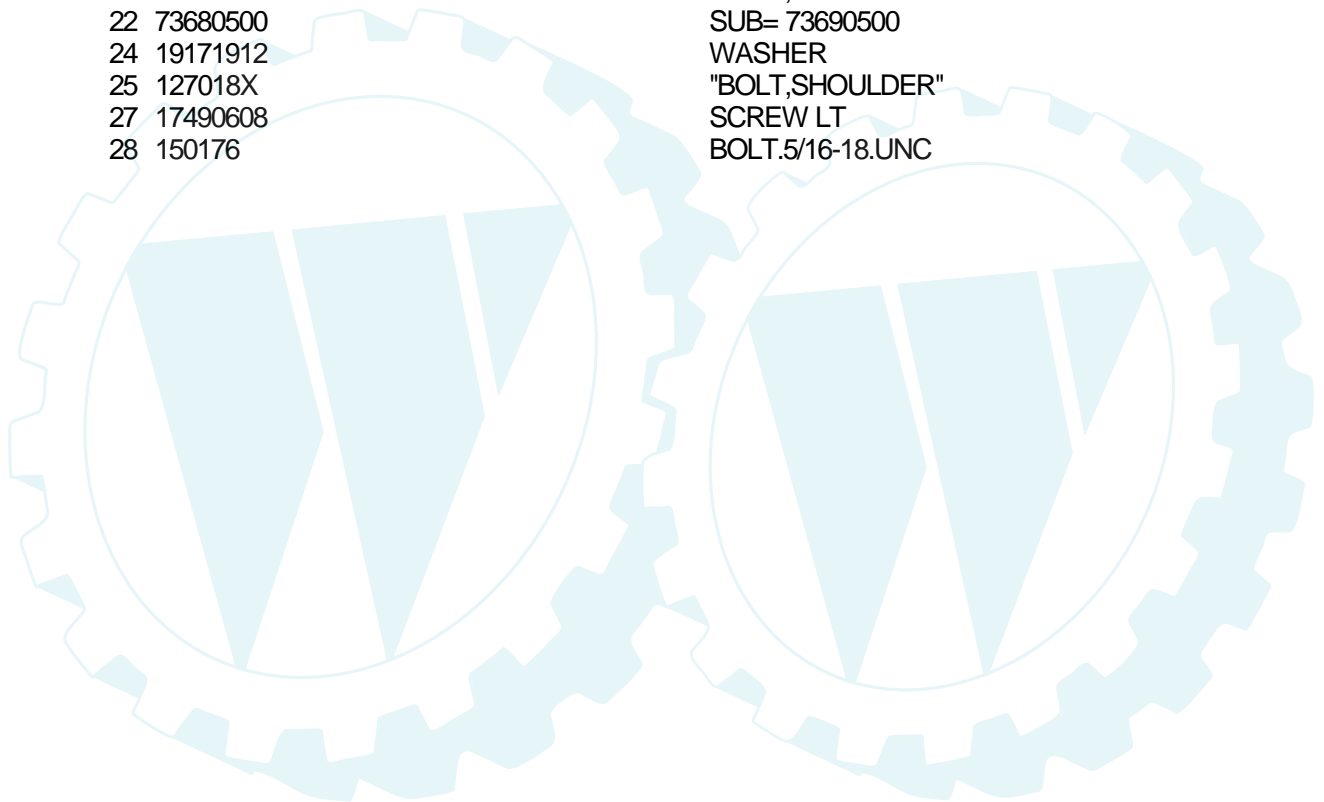
POSITION	CIRCUIT
OFF	C + G, B + H
ON	G + F, B + E, A + D



WIRING INSULATED CLIPS

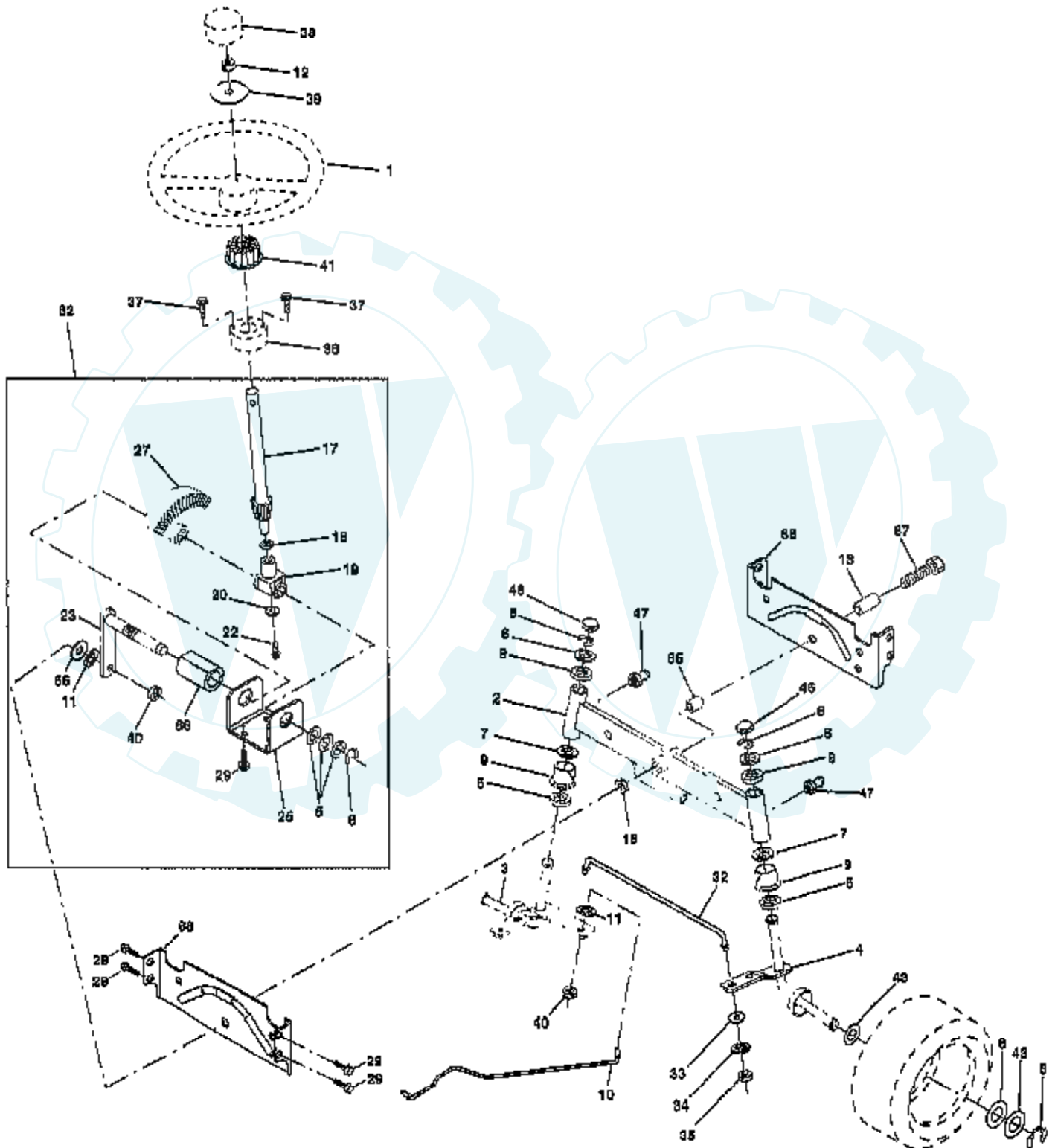
NOTE: IF WIRING INSULATED CLIPS WERE REMOVED FOR SERVICING OF UNIT, THEY SHOULD BE REPLACED TO PROPERLY SECURE YOUR WIRING.

Ref #	Part Number	Qty	Description
1	127440		SUB= 140121
2	140551		BRACKET PVT SEAT
5	145006		CLIP.PUSH-IN.HING
6	73800600		NUT
7	124181X		SPRING COMPRESSIO
10	155925		PAN-SEAT
11	120068X		"KNOB 1/2"" YT"
12	121246X		BRKT SWITCH
13	121248X		BUSHING
14	72050411		SUB= 872050411
15	121249X		SPACER SPLIT
16	123740X		SPRING COMPRESSED
17	123976X		SUB= 73900400
21	153236		"BOLT,SHOULDER"
22	73680500		SUB= 73690500
24	19171912		WASHER
25	127018X		"BOLT,SHOULDER"
27	17490608		SCREW LT
28	150176		BOLT.5/16-18.UNC



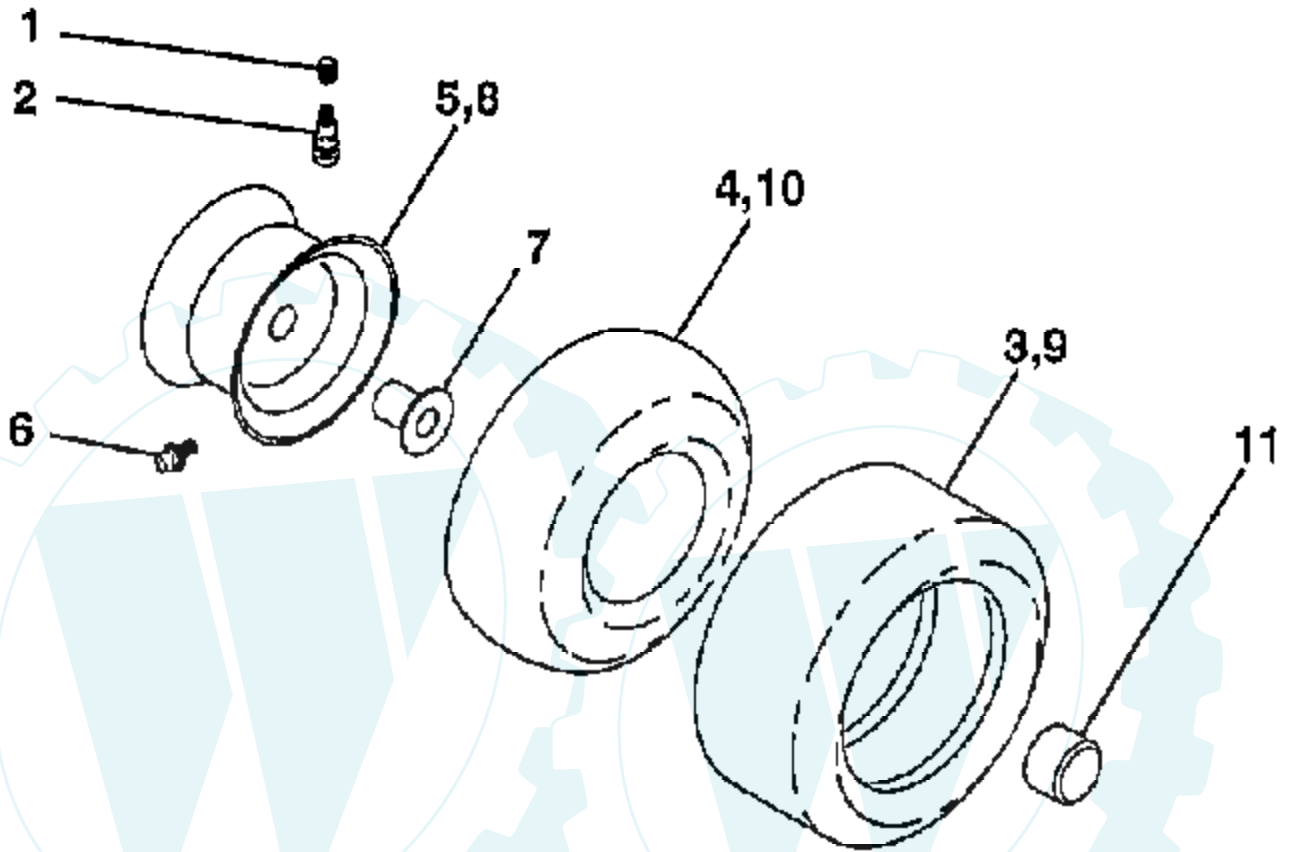
TRACTOR -- MODEL NUMBER CT18546B

STEERING ASSEMBLY



Ref #	Part Number	Qty	Description
1	140044		WHEEL STR AYP BLK
2	154427		AXLE ASM
3	156486		"SPINDLE ASM,RH"
4	157475		"SPINDLE AMS,LH"
5	6266H		WASHER .T
6	121748X		WASHER
7	19272016		WASHER
8	12000029		RING
9	3366R		COL. SRTG. BEAR.
10	156438		DRAGLINK-STAMPED
11	10040600		LOCKWASHER
12	73940800		SUB= 73360800
13	154779		BEARING AXLE
15	73901000		"NUT-LOC,FLANGE LT"
17	156544		STEERING SHAFT
18	57079		THRUST WASHER
19	124035X		SUPPORT.SHAFT
20	126684X		SUB= 532126684
22	71200410		SCREW HEX SOC1/4-
23	127501		SUB= 918127501
25	154406		BRKT-STEERING
27	136874		GEAR SECTOR
29	17490612		SCREW
32	139929		ROD.TIE.19.75
33	19111216		WASHER M
34	10040500		LOCKWASHER
35	73810500		NUT.LOCK.5/16-24
36	145207		BUSHING.STRG.3/4
37	152927		"SCREW-TT,10-32 FL"
38	140045		CAP STEER AYP
39	100712K		WASHER
40	7810H		GRIPCO NUT
41	100711L		ADAPTER LT
43	121749X		WASHER
46	121232X		CAP
47	6855M		ZERK M
62	156596		STEERING KIT
65	154780		SPACER AXLE
66	154404		"BEARING-ARM,PITMA"
67	74781044		BOLT
68	154479		MANUAL.P.EN12536B

WHEELS & TIRES



NOTE: All component dimensions given in U.S. inches.
1 inch = 25.4 mm

Ref #	Part Number	Qty	Description
1	59192		VALVE CAP
2	65139		VALVE STEM LT
3	106230X		SUB= 122075X
4	59904		TUBE.5.3/4.5/6
5	106228X421		RIM ASSEMBLY, FRONT, 8"
6	278H		FITTING LT
7	9040H		"FLANGE, BEARING"
8	124074X421		RIM ASSEMBLY, REAR, 12"
9	124106X		SUB= 138756
10	7154J		TUBE.23X8/10-12
11	104757X		HUB CAP
	144334		SEALANT.TIRE 10 OZ. TUBE

