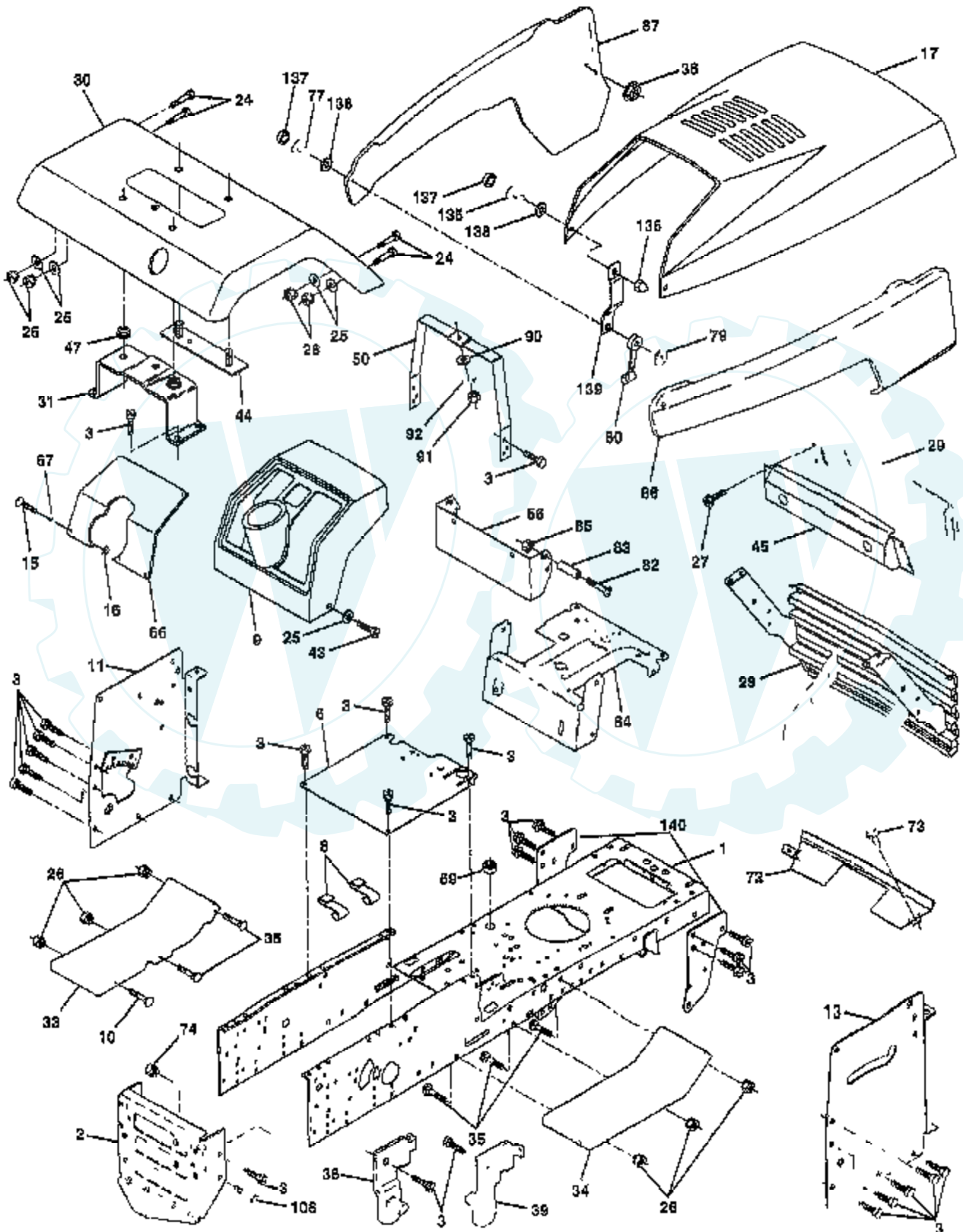


# TRACTOR -- MODEL NUMBER CT18546A

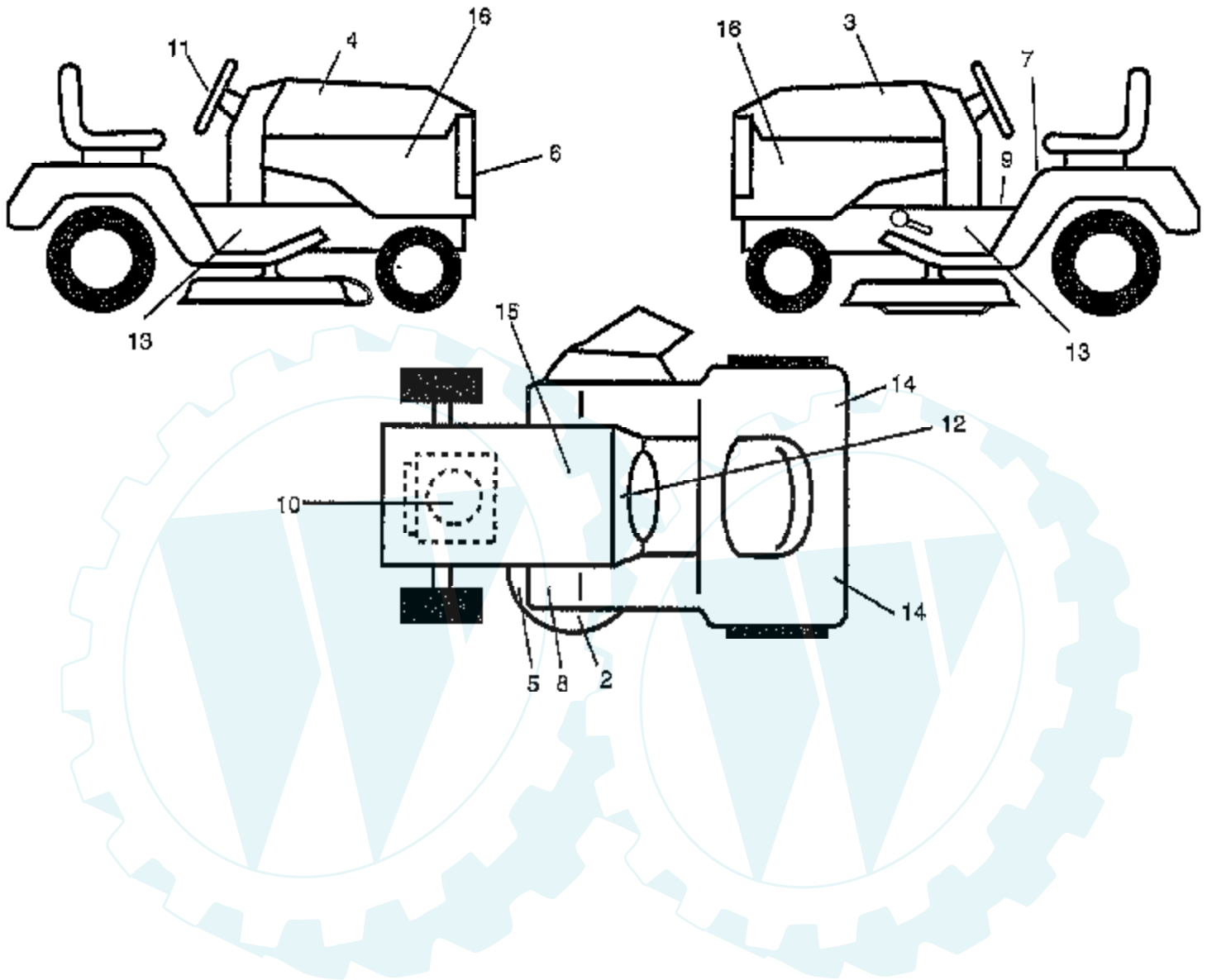
## CHASSIS AND ENCLOSURES



| Ref # | Part Number | Qty | Description         |
|-------|-------------|-----|---------------------|
| 1     | 155051      |     | CHASSIS ASM         |
| 2     | 140356      |     | SUB= 145009         |
| 3     | 17490612    |     | SCREW               |
| 6     | 155923      |     | SADDLE              |
| 8     | 126471X     |     | "CLIP,INSULATOR"    |
| 9     | 140398      |     | DASHBOARD BLACK     |
| 10    | 72140608    |     | SUB= 72110608       |
| 11    | 145222      |     | PANEL.DASH.LH.PNT   |
| 13    | 145221      |     | PANEL.DASH.RH.PNT   |
| 15    | 74180512    |     | SCREW               |
| 16    | 73510500    |     | NUT                 |
| 17    | 150301X550  |     | HOOD PNT YARDPRO    |
| 24    | 74780616    |     | BOLT                |
| 25    | 19131312    |     | WASHER              |
| 26    | 73800600    |     | NUT                 |
| 27    | 17030814    |     | SUB= 91817030814    |
| 28    | 150197      |     | GRILLE ASM PNT      |
| 29    | 146459      |     | LENS.BAR.CLEAR      |
| 30    | 140002X550  |     | FENDER PNT          |
| 31    | 137113      |     | BRKT.ASM.FENDER     |
| 33    | 145224X550  |     | FOOTREST PNT LH     |
| 34    | 145243X550  |     | FOOTREST.RH.LT/GT   |
| 35    | 72110606    |     | BOLT                |
| 36    | 108067X     |     | PAL NUT LT          |
| 38    | 139886      |     | BRACKET ASM LH      |
| 39    | 139887      |     | BRACKET ASM RH      |
| 43    | 17490612    |     | SCREW               |
| 44    | 140675      |     | STRAP ASM FENDER    |
| 45    | 147717      |     | BEZEL.ASM.          |
| 47    | 105531X     |     | NUT-PUSH YT         |
| 50    | 145205      |     | DASH.SUPT.YP/HUSQ   |
| 56    | 150271      |     | EXT DASH LTYT       |
| 59    | 110436X     |     | SUB= 9151R          |
| 64    | 150272      |     | DASH.LOWER.LT       |
| 66    | 156286X010  |     | "PLATE DASH,SLKSCR" |
| 67    | 19111116    |     | WASHER              |
| 72    | 144916X550  |     | STRAP.PNT.GRILLE    |
| 73    | 17580408    |     | SCREW CRT           |
| 74    | 73680600    |     | SUB= 73690600       |
| 77    | 74191008    |     | SCREW               |
| 79    | 2029J       |     | WELDNUT             |
| 80    | 109808X     |     | HOOD LATCH T        |
| 82    | 74981020    |     | SCREW               |
| 83    | 7206J       |     | SPACER LT           |
| 85    | 73731000    |     | NUT                 |
| 86    | 150303X505  |     | PANEL ASM RH        |
| 87    | 720602X550  |     | PANEL PNT LH SIDE   |
| 90    | 19091216    |     | WASHER PM           |
| 91    | 73220400    |     | SUB= 50675          |
| 92    | 10040400    |     | LOCKWASHER          |
| 108   | 74760612    |     | SUB= 74780612       |
| 135   | 74291006    |     | SCREW.10-24X3/8.    |
| 136   | 60867       |     | ACORN NUT RB        |
| 137   | 110356X     |     | SNAP CAP LT         |
| 138   | 110357X     |     | WASHER LT           |
| 139   | 150195      |     | BKT.SPT.HOOD/PANL   |
| 140   | 158418      |     | BRKT.SUSPENSION     |
|       | 121794X     |     | COVER ACCESS        |

### TRACTOR - - MODEL NUMBER CT18546A

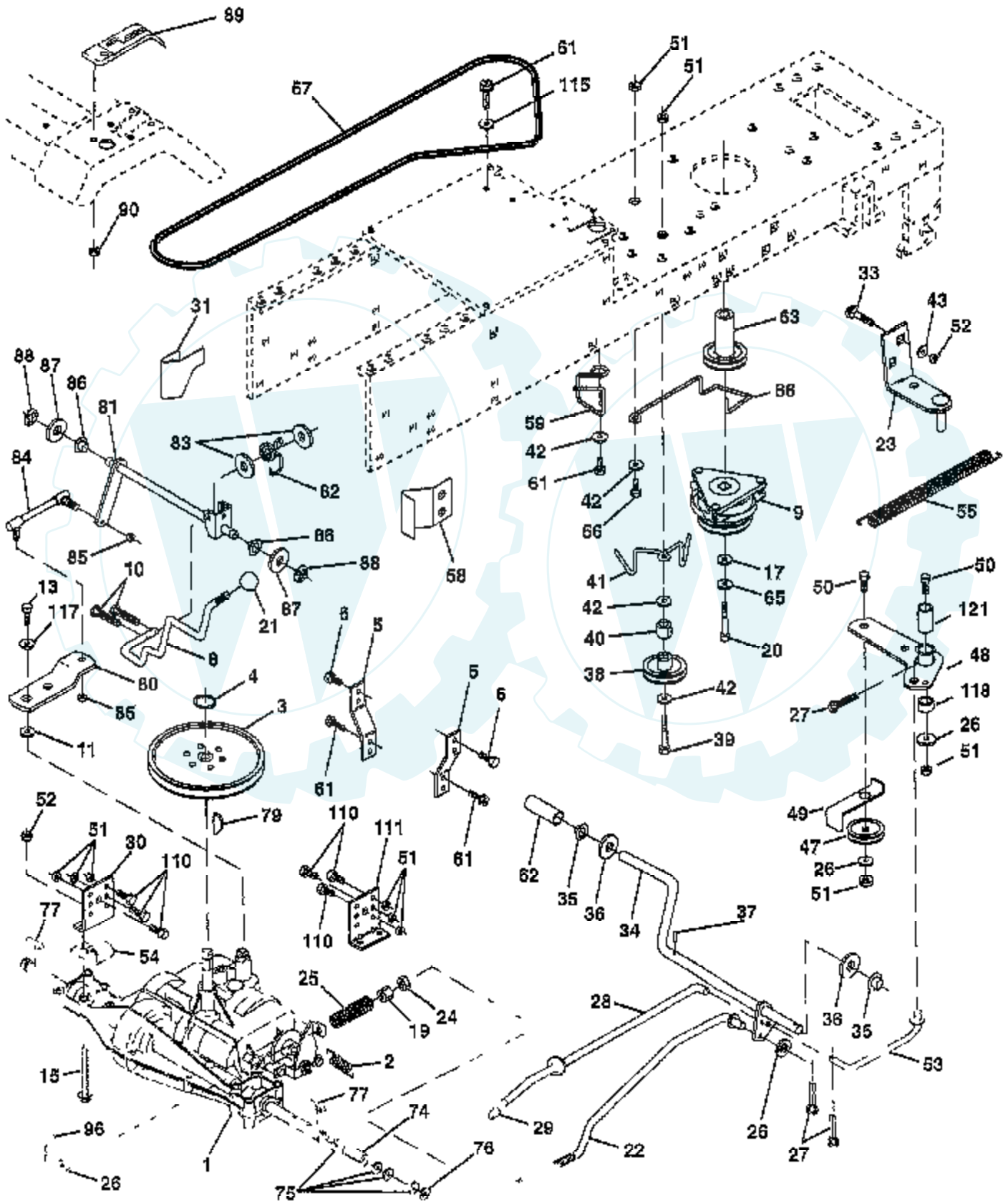
#### DECALS



| Ref # | Part Number | Qty | Description         |
|-------|-------------|-----|---------------------|
| 2     | 134999      |     | "DECAL,ENVIRO DECK" |
| 3     | 159328      |     | "DECAL HOOD,LH"     |
| 4     | 159327      |     | DECAL HOOD RH       |
| 5     | 139346      |     | "DECAL.V.BELT.44""  |
| 6     | 158889      |     | DECAL GRILLE        |
| 7     | 157002      |     | "DECAL DANGER,FEND" |
| 8     | 4900J       |     | DECAL T             |
| 9     | 140837      |     | DECAL BRAK PARK     |
| 10    | 273063      |     | DECAL, HP, ENGINE   |
| 11    | 158887      |     | DECAL INST STG WH   |
| 12    | 156834      |     | "DECAL-OPER,GEAR D" |
| 13    | 159329      |     | DECAL CHASSIS       |
| 14    | 106202X     |     | REFLECTOR-TAIL YT   |
| 15    | 145005      |     | DECAL.BATRY.3-3908  |
| 16    | 159252      |     | "DECAL PANEL,SIDE"  |
|       | 133671      |     | FOOTREST PAD        |
|       | 138311      |     | DECAL HANDLE LIFT   |
|       | 155035      |     | MANUAL.O.CT18544B   |
|       | LSB42       |     | SNOW THROWER        |
|       | TA321       |     | 55LB. WHEEL WTS.    |
|       | LA028       |     | TIRE CHAINS         |
|       | LBD48       |     | SNOW BLADE          |
|       | TX11        |     | SLEEVE HITCH        |
|       | CL46        |     | 3 BIN BAGGER        |

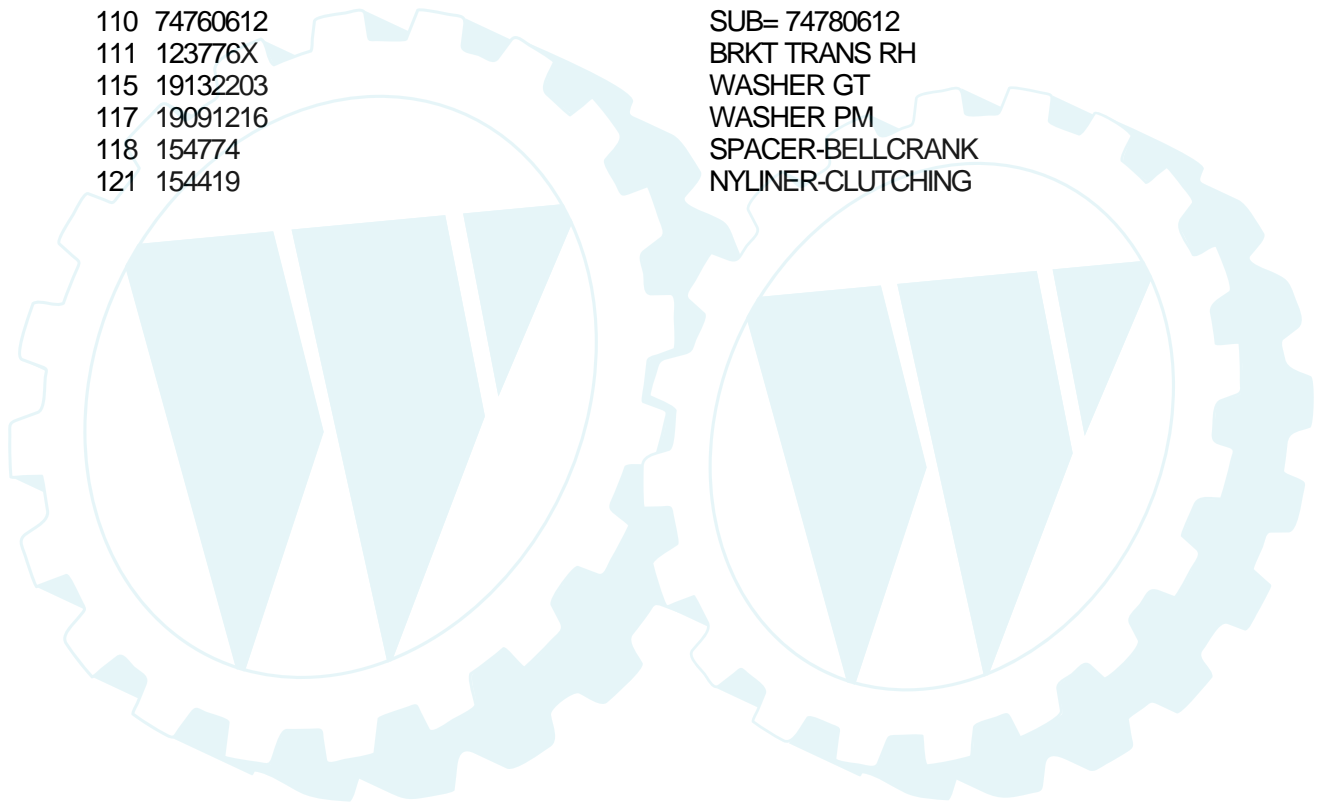
TRACTOR -- MODEL NUMBER CT18546A

DRIVE



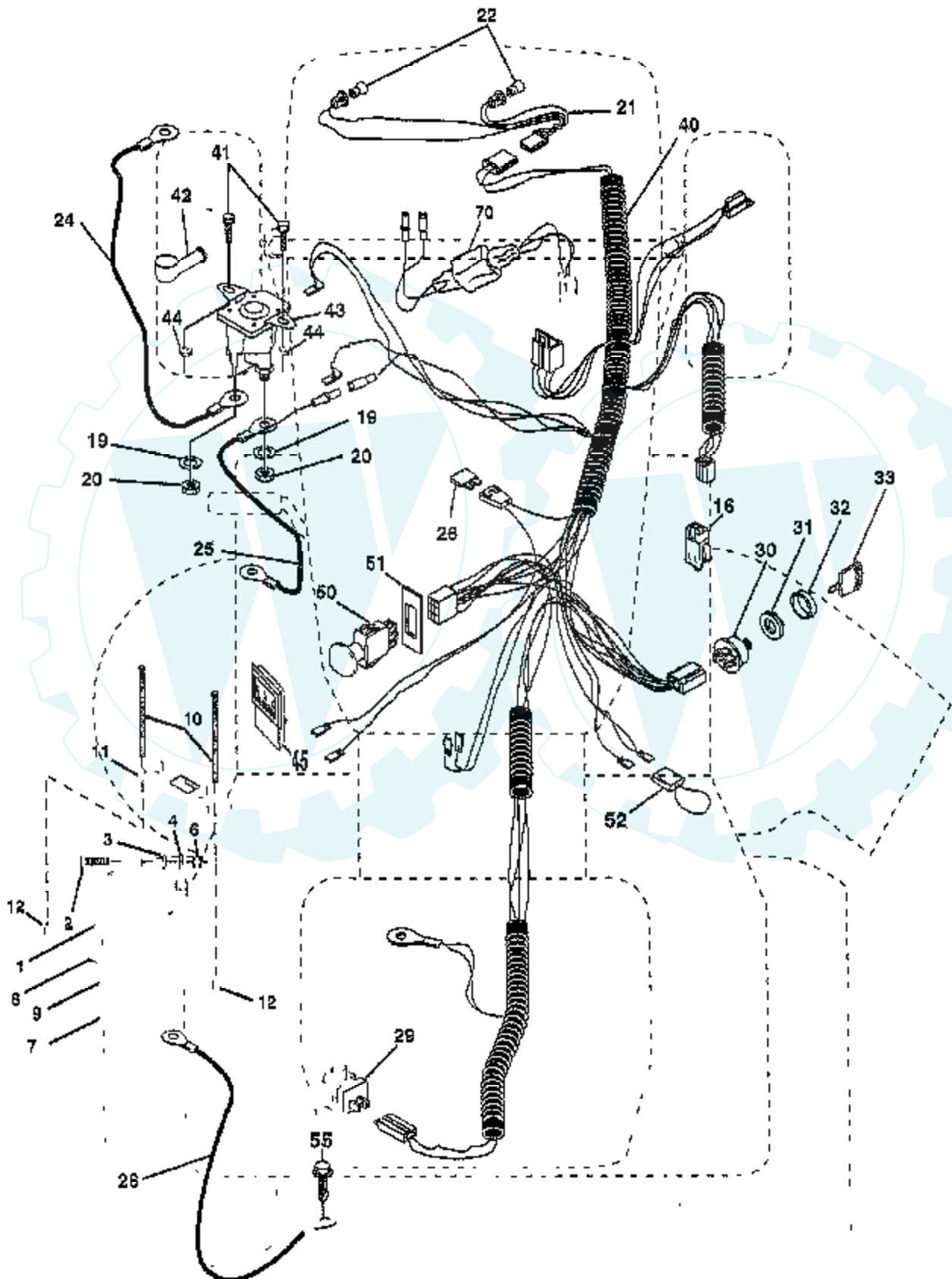
| Ref # | Part Number | Qty | Description         |
|-------|-------------|-----|---------------------|
| 1     |             |     | REFER TO IMAGE      |
| 2     | 110422X     |     | SUB= 146682         |
| 3     | 121327X     |     | PULLEY TRANSAXLE    |
| 4     | 12000004    |     | RING                |
| 5     | 123787X     |     | STRAP TORQUE        |
| 6     | 17490512    |     | SCREW               |
| 8     | 141002      |     | ROD SHIFT FEND YT   |
| 9     | 137140      |     | SUB= 142600         |
| 10    | 76020416    |     | PIN COTTER 1/8      |
| 11    | 105701X     |     | WASH-SHFT PLT LT    |
| 13    | 74550412    |     | BOLT.1/4-28.W/PAT   |
| 15    | 74490544    |     | BOLT.HX.FLG.5/16    |
| 17    | 126197X     |     | WASHER              |
| 19    | 73800600    |     | NUT                 |
| 20    | 150280      |     | BOLT.7/16-20X4.25   |
| 21    | 106933X     |     | KNOB T (1/2-HOLE)   |
| 22    | 145340      |     | ROD.ASM.BK.44.MWR   |
| 23    | 137141      |     | BRACKET.ASM.MTG     |
| 24    | 73350600    |     | NUT                 |
| 25    | 126909X     |     | "SPRING,ROD BRAKE"  |
| 26    | 19131316    |     | WASHER              |
| 27    | 76020412    |     | COTTER PIN          |
| 28    | 145204      |     | ROD.BRAKE.PARK.LT   |
| 29    | 71673       |     | PLUNGER CAP T       |
| 30    | 123780X     |     | BRKT TRANS LH       |
| 31    | 123791X     |     | KEEPER BELT LH      |
| 33    | 72140506    |     | BOLT                |
| 34    | 155071      |     | SHAFT ASM-PEDAL F   |
| 35    | 120183X     |     | NYLON BEARING       |
| 36    | 19211616    |     | WASHER LT           |
| 37    | 1572H       |     | SUB= 2882J          |
| 38    | 123674X     |     | PULLEY.IDLER.FLAT   |
| 39    | 74760644    |     | BOLT                |
| 40    | 4470J       |     | SPACER T            |
| 41    | 1544777     |     | KEEPER, IDLER       |
| 42    | 19131312    |     | WASHER              |
| 43    | 19111012    |     | WASHER T            |
| 47    | 127783      |     | SUB= 139245         |
| 48    | 154604      |     | BELLCRANK ASM       |
| 49    | 123205X     |     | RETAIN BELT         |
| 50    | 74760624    |     | SUB= 74930624       |
| 51    | 73680600    |     | SUB= 73690600       |
| 52    | 73680500    |     | SUB= 73690500       |
| 53    | 105710X     |     | "LINK, CLUTCH T"    |
| 54    | 126471X     |     | "CLIP,INSULATOR"    |
| 55    | 105709X     |     | "SPRING, RETURN LT" |
| 56    | 74760620    |     | SUB= 74780620       |
| 57    | 123796X     |     | BELT.GRDRV.94.75    |
| 58    | 123792X     |     | "KEEPER,BELT RH"    |
| 59    | 140312      |     | KEEPER BELT CNTSP   |
| 61    | 17490612    |     | SCREW               |
| 62    | 8883R       |     | PEDAL COVER T       |
| 63    | 136906      |     | PULLEY ENGINE       |
| 65    | 10040700    |     | LOCKWASHER          |
| 66    | 154778      |     | KEEPER-BELT         |
| 74    | 108097X     |     | SPACER HYT          |
| 75    | 123800X     |     | WASHER              |
| 76    | 12000053    |     | E RING HYT          |

| Ref # | Part Number | Qty | Description         |
|-------|-------------|-----|---------------------|
| 77    | 9396E       |     | SQ KEY STD          |
| 79    | 2228M       |     | SUB= 2228M1         |
| 80    | 123794X     |     | "ARM,SHIFT"         |
| 81    | 123772X     |     | "SHAFT,SHIFTER"     |
| 82    | 123782X     |     | "SPRING,TORSION"    |
| 83    | 19171216    |     | WASHER              |
| 84    | 155189      |     | "ROD LINK,SHIFT AD" |
| 85    | 150360      |     | NUT.CNT.LOCK.1/4    |
| 86    | 71208       |     | BUSHING             |
| 87    | 19212016    |     | WASHER D            |
| 88    | 12000008    |     | KLIP RING           |
| 89    | 139992      |     | CONSOLE SHIFTER     |
| 90    | 124346X     |     | NUT                 |
| 96    | 4497H       |     | RETAINER M          |
| 110   | 74760612    |     | SUB= 74780612       |
| 111   | 123776X     |     | BRKT TRANS RH       |
| 115   | 19132203    |     | WASHER GT           |
| 117   | 19091216    |     | WASHER PM           |
| 118   | 154774      |     | SPACER-BELLCRANK    |
| 121   | 154419      |     | NYLINER-CLUTCHING   |



### TRACTOR - - MODEL NUMBER CT18546A

### ELECTRICAL

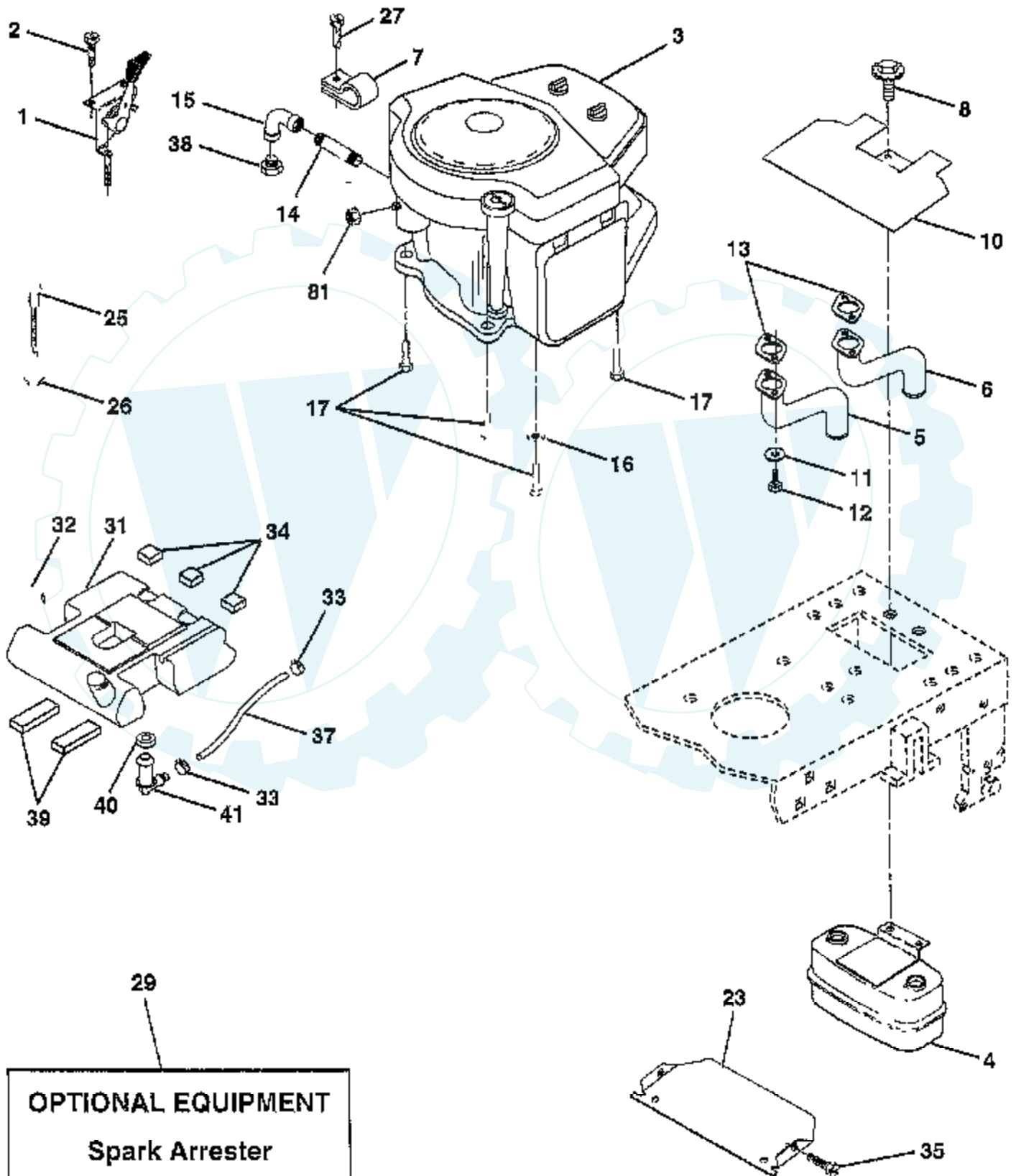




| Ref # | Part Number | Qty | Description        |
|-------|-------------|-----|--------------------|
| 1     | 144926      |     | SUB= 123899X       |
| 2     | 74760412    |     | BOLT LT            |
| 3     | 19091016    |     | WASHER             |
| 4     | 10040400    |     | LOCKWASHER         |
| 6     | 73220400    |     | SUB= 50675         |
| 7     | 7697J       |     | "DRAIN TU T, BATT" |
| 8     | 7603J       |     | "TRAY T, BATTERY"  |
| 9     | 109596X     |     | HOSE CLAMP T       |
| 10    | 145211      |     | SUB= 150177        |
| 11    | 150109      |     | HOLDDOWN BATTERY   |
| 12    | 145769      |     | SUB= 150177        |
| 16    | 153664      |     | SWITCH INTERLOCK   |
| 19    | 10090400    |     | SUB= 10040400      |
| 20    | 73350400    |     | NUT                |
| 21    | 136850      |     | "HARNES,LIGHT SOC" |
| 22    | 4152J       |     | HEADLAMP BULB      |
| 24    | 4799J       |     | "CABLE T, BATTERY" |
| 25    | 146148      |     | CABLE.6GA.22W/16W  |
| 26    | 108824X     |     | FUSE HYT           |
| 28    | 145491      |     | CABLE.GRND.6GA.21  |
| 29    | 121305X     |     | SWITCH SEAT        |
| 30    | 140301      |     | SWITCH IGN 4POS    |
| 31    | 124211X     |     | NUT IGNITION       |
| 32    | 141226      |     | COVER KEY SWITCH   |
| 33    | 122147X     |     | KEY                |
| 40    | 156153      |     | HARNES IGNITION    |
| 41    | 71110408    |     | BOLT HXHD FIN      |
| 42    | 131563      |     | SUB= 154336        |
| 43    | 145673      |     | SUB= 146154        |
| 44    | 73640400    |     | NUT HXKEP 1/4X20   |
| 45    | 121433X     |     | SUB= 122822X       |
| 50    | 154959      |     | PTO SWITCH.BLK     |
| 51    | 140405      |     | RING RETAIN PTO    |
| 52    | 141940      |     | PROTECTION LOOP    |
| 55    | 17490508    |     | SCREW LT           |
| 70    | 146096      |     | HARN.ENG.TRI-CKT   |

### TRACTOR - - MODEL NUMBER CT18546A

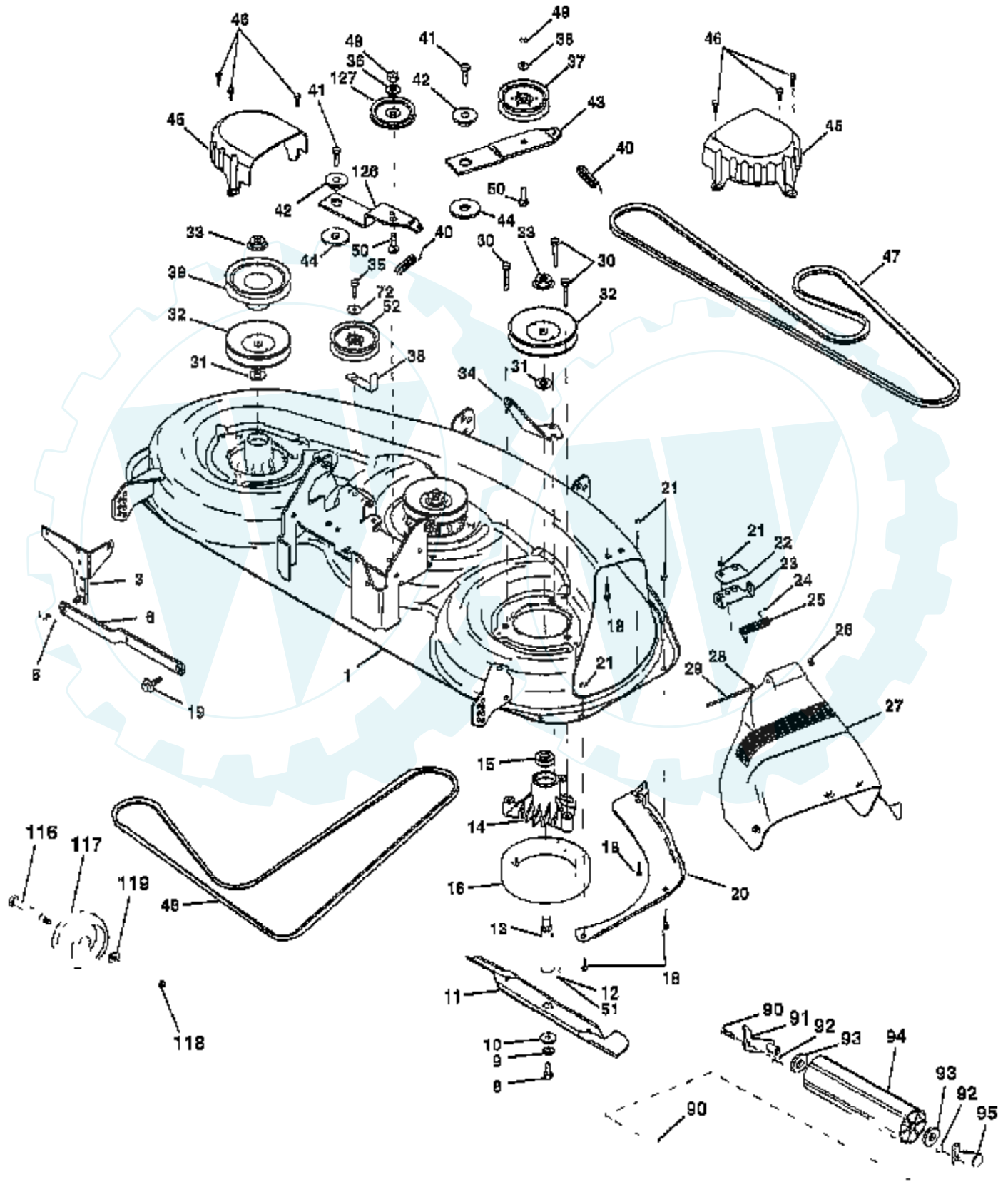
#### ENGINE



| Ref # | Part Number | Qty | Description         |
|-------|-------------|-----|---------------------|
| 1     | 132748      |     | SUB= 532132748      |
| 2     | 17720410    |     | SCREW LT            |
| 3     | 42D707      |     | ENGINE, BRIGGS      |
| 4     | 149723      |     | MUFFLER.TW.LOTONE   |
| 5     | 144069      |     | EXHAUST.B&S.18.LH   |
| 6     | 144068      |     | EXHAUST.B&S.18.RH   |
| 7     | 138129      |     | CLAMP.TUBE.DBL.EN   |
| 8     | 150176      |     | BOLT.5/16-18.UNC    |
| 10    | 145552      |     | SHIELD.HEAT.        |
| 11    | 10040400    |     | LOCKWASHER          |
| 12    | 74780412    |     | SUB= 74780414       |
| 13    | 272250      |     | GASKET MUFFLER      |
| 14    | 13280336    |     | PIPE NIPPLE LT      |
| 15    | 13200300    |     | ELBOW               |
| 16    | 11050600    |     | LOCKWASHER          |
| 17    | 17490624    |     | SCREW LT            |
| 23    | 156123      |     | SHIELD-HEAT         |
| 25    | 138672      |     | "CONTROL.CHOKE.51"" |
| 26    | 73920600    |     | "NUT,KEPS 3/8-24IM" |
| 27    | 152927      |     | "SCREW-TT,10-32 FL" |
| 29    | 137180      |     | SUB= 532137180      |
| 31    | 151346      |     | TANK FUEL REAR      |
| 32    | 140527      |     | CAP ASM FUEL        |
| 33    | 123487X     |     | HOSE CLAMP          |
| 34    | 106082X     |     | PAD-SPACER LT       |
| 35    | 17490512    |     | SCREW               |
| 37    | 8543R       |     | FUEL LINE T         |
| 38    |             |     | REFER TO IMAGE      |
| 39    | 109227X     |     | PAD IDLER TI        |
| 40    | 3645J       |     | BUSHING OUTLET T    |
| 41    | 139277      |     | STEM.TANK.FUEL      |
| 81    | 128861      |     | NUT                 |

# TRACTOR - - MODEL NUMBER CT18546A

## MOWER DECK



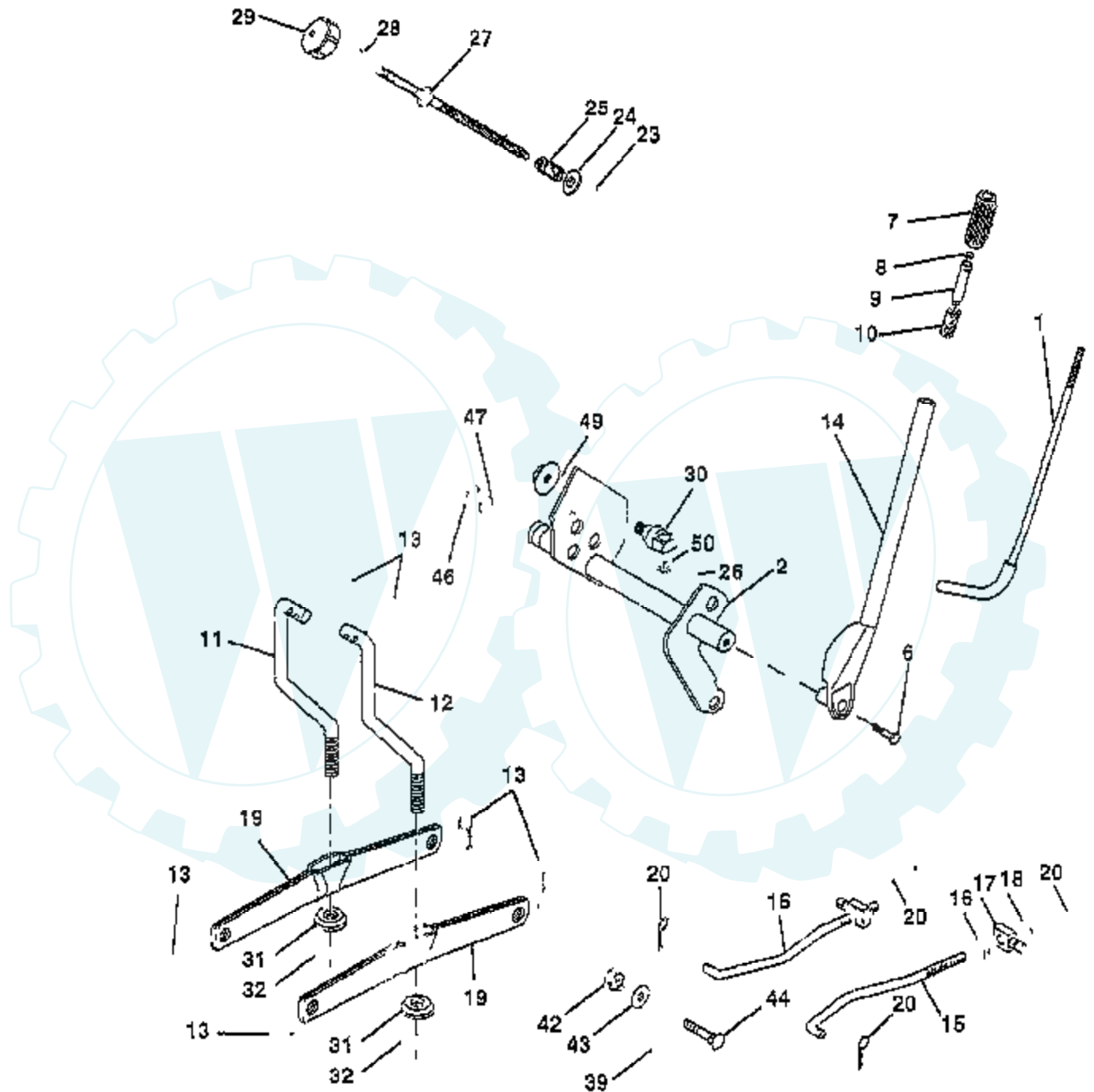
| Ref # | Part Number | Qty | Description                |
|-------|-------------|-----|----------------------------|
| 1     | 155948      |     | DECK ASM. MOWER 46"        |
| 3     | 138457      |     | BRKT.ASM.SW.44/50          |
| 5     | 4939M       |     | SUB= 85902                 |
| 6     | 130832      |     | SUB= 130833                |
| 8     | 850857      |     | BLADE BOLT                 |
| 9     | 10030600    |     | SUB= 10040600              |
| 10    | 140296      |     | WASHER.HARD.BLADE          |
| 11    | 157353      |     | SUB= 159705                |
| 12    | 129895      |     | BEARING.BALL               |
| 13    | 137553      |     | SHAFT.ASM.W/BRNG           |
| 14    | 137152      |     | HOUSING.MAND.44.V          |
| 15    | 110485X     |     | BEARING                    |
| 16    | 140329      |     | STRIPPER RND MWR           |
| 18    | 72140505    |     | BOLT                       |
| 19    | 132827      |     | BOLT SHD 5/16-18           |
| 20    | 145055      |     | BAFFLE.VORTEX.46           |
| 21    | 73680500    |     | SUB= 73690500              |
| 22    | 134753      |     | STIFFENER BRKT             |
| 23    | 131267      |     | DEFLECTOR BRKT             |
| 24    | 105304X     |     | CAP-SLEEVE LT              |
| 25    | 1237137X    |     | SPRING, TORSION, DEFLECTOR |
| 26    | 157788      |     | SHIELD DEFLECTOR           |
| 27    | 145325      |     | SUB= 157788                |
| 28    | 19111016    |     | WASHER                     |
| 29    | 131491      |     | HINGE ROD                  |
| 30    | 138776      |     | SUB= 157722                |
| 31    | 129963      |     | WASHER                     |
| 32    | 153531      |     | PULLEY.MAND.36/46          |
| 33    | 137266      |     | SUB= 139729                |
| 34    | 144945      |     | ANCHOR.SPRING.46           |
| 35    | 17490628    |     | SCREW LT                   |
| 36    | 19131316    |     | WASHER                     |
| 37    | 131494      |     | FLAT IDLER PULLEY          |
| 38    | 156086      |     | "KEEPER BELT,IDLER"        |
| 39    | 144917      |     | PULLEY.DRV.DCK.46          |
| 40    | 137273      |     | "SPRING.SEC.44""VEN"       |
| 41    | 17490620    |     | SCREW                      |
| 42    | 122052X     |     | SPACER RETAINER            |
| 43    | 144949      |     | ARM.IDLER.DECK.46          |
| 44    | 133943      |     | HARDENED WASHER            |
| 45    | 145059      |     | COVER.MANDREL.46           |
| 46    | 137729      |     | SCREW.1/4-20X5/8           |
| 47    | 144959      |     | BELT-V.SEC.46.KEL          |
| 48    | 139573      |     | BELT V PRIM 50             |
| 49    | 73680600    |     | SUB= 73690600              |
| 50    | 72110612    |     | BOLT.3/8-16X1.50           |
| 51    | 153390      |     | WASHER.FELT.               |
| 52    | 156493      |     | "PULLEY IDLER,FLAT"        |
| 72    | 19131616    |     | WASHER HYT                 |
| 90    | 14160616    |     | BOLT                       |
| 91    | 132274      |     | SUB= 532132274             |
| 92    | 73800600    |     | NUT                        |
| 93    | 19171416    |     | WASHER                     |
| 94    | 132264      |     | SUB= 532132264             |
| 95    | 132273      |     | SUB= 532132273             |
| 116   | 146851      |     | BOLT.SHOULDER              |
| 117   | 146850      |     | WHEEL GUAGE MED.           |
| 118   | 73930600    |     | LOCKNUT                    |

| Ref # | Part Number | Qty | Description       |
|-------|-------------|-----|-------------------|
| 119   | 19121414    |     | WASHER            |
| 126   | 144948      |     | ARM.IDLER.PRIM.46 |
| 127   | 146763      |     | PULLEY.IDLER.4.25 |
|       | 143651      |     | MANDREL SERV ASM  |
|       | 157251      |     | MOWER SERV DECK46 |



# TRACTOR - - MODEL NUMBER CT18546A

## MOWER LIFT



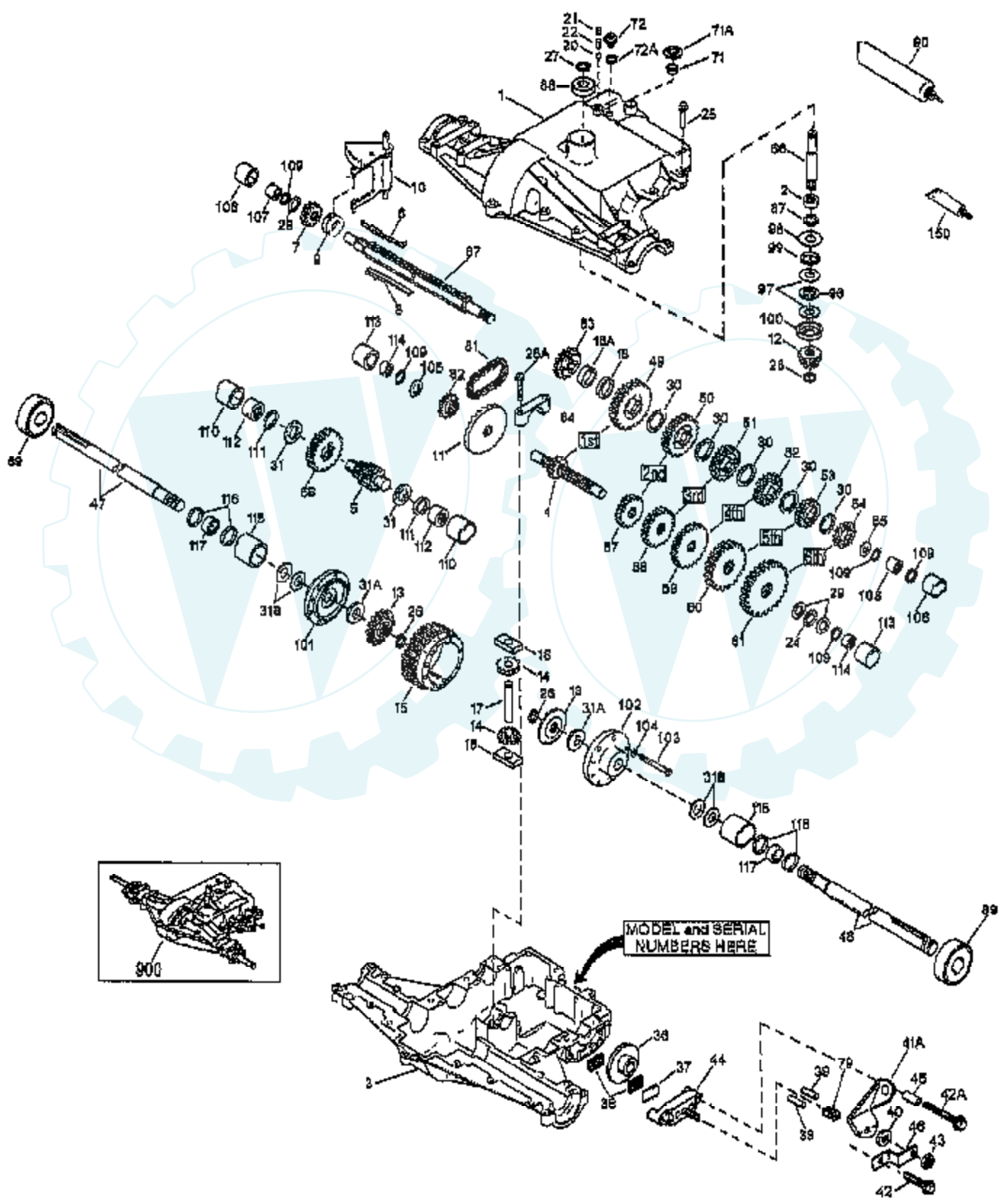
**NOTE:** All component dimensions given in U S inches  
1 inch = 25.4 mm

| Ref # | Part Number | Qty | Description       |
|-------|-------------|-----|-------------------|
| 1     | 121006X     |     | LEVER ROD LT      |
| 2     | 140673      |     | SHAFT LIFT W/IND  |
| 6     | 74780624    |     | "BOLT,HEX"        |
| 7     | 109413X     |     | GRIP              |
| 8     | 124526X     |     | SUB= 125925X      |
| 9     | 122364X     |     | SUB= 125925X      |
| 10    | 2876H       |     | SPRING T          |
| 11    | 145537      |     | LINK.LIFT.LH.GTV  |
| 12    | 145536      |     | LINK.LIFT.RH.GTV. |
| 13    | 4939M       |     | SUB= 85902        |
| 14    | 121002X     |     | SUB= 123096X      |
| 15    | 127218      |     | LINK.FRONT        |
| 16    | 73350800    |     | NUT               |
| 17    | 130171      |     | TRUNION           |
| 18    | 73800800    |     | NUT.LK.W/WSH.1/2. |
| 19    | 139868      |     | ARM SUSP REAR     |
| 20    | 3146R       |     | RETAINER.SPRING   |
| 23    | 110807X     |     | NUT T             |
| 24    | 19131016    |     | WASHER            |
| 25    | 137150      |     | SPRING.COMP.INF.H |
| 26    | 76020308    |     | SUB= 3145         |
| 27    | 137167      |     | ROD.ADJ.LIFT      |
| 28    | 73350600    |     | NUT               |
| 29    | 138057      |     | KNOB INF 3/8-16   |
| 30    | 150233      |     | TRUNNION          |
| 31    | 140302      |     | BEARING PVT LH    |
| 32    | 73540600    |     | NUT.CROWNLOCK.3/8 |
| 39    | 142992      |     | STOP.OVER.CENTER  |
| 42    | 73680600    |     | SUB= 73690600     |
| 43    | 19131612    |     | WASHER GT         |
| 44    | 72240608    |     | BOLT              |
| 46    | 12000022    |     | E-RING            |
| 47    | 19292016    |     | WASHER            |
| 49    | 145212      |     | NUT.HXFLG.LOCK.   |
| 50    | 110452X     |     | NUT PUSH M        |



# TRACTOR -- MODEL NUMBER CT18546A

## PEERLESS TRANSAXLE - MODEL NUMBER P820-016C

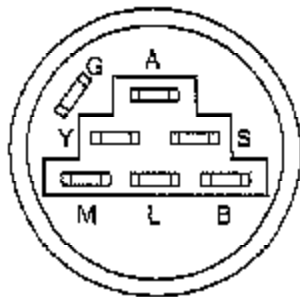
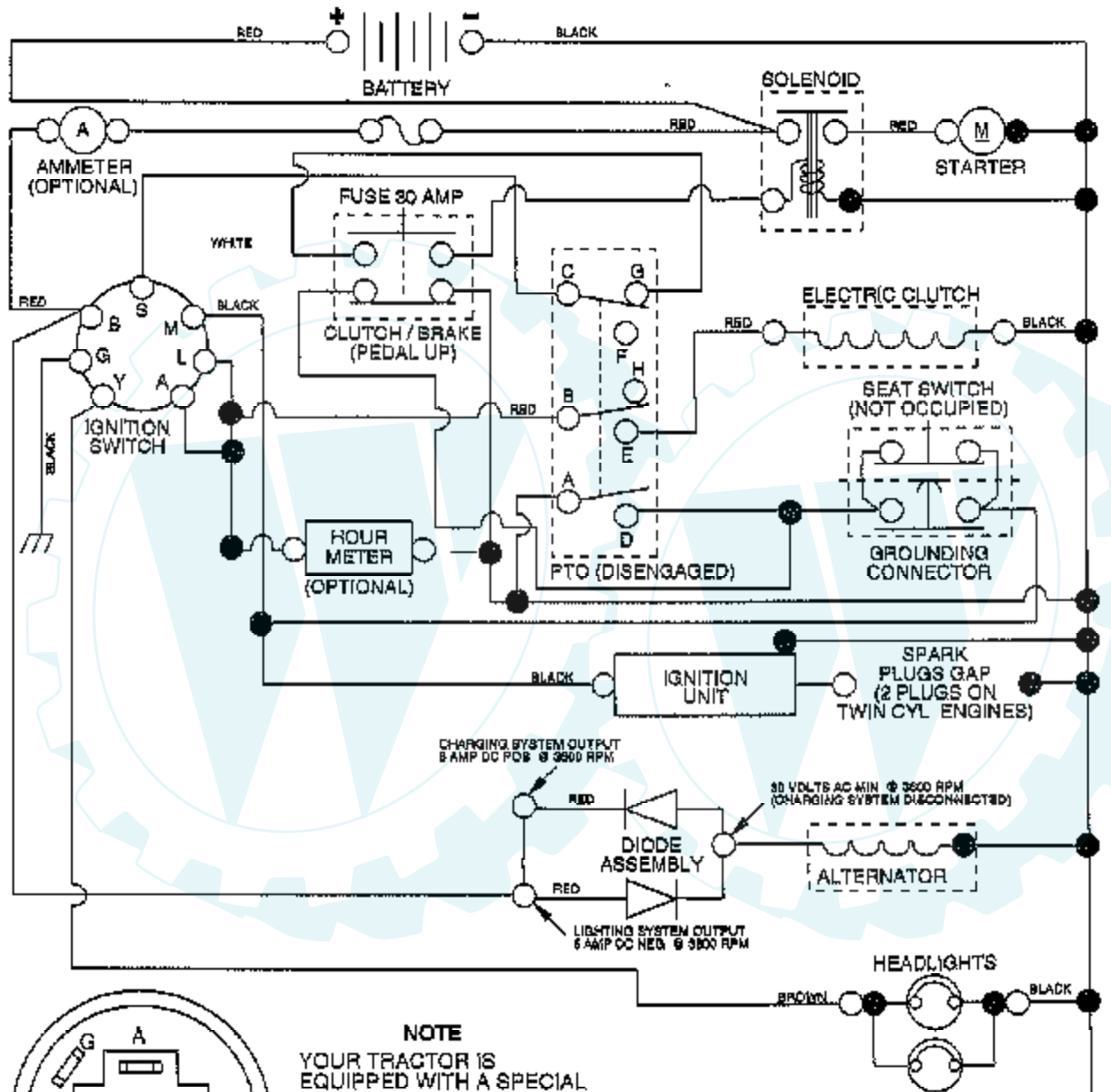


| Ref # | Part Number | Qty | Description                  |
|-------|-------------|-----|------------------------------|
|       | 794513      |     | TRANSAXLE, COMPLETE          |
| 1     | 772098A     |     | COVER TRANSAXLE              |
| 2     | 780155      |     | BEARING NEEDLE               |
| 3     | 770088      |     | CASE TRANSAXLE               |
| 4     | 776291      |     | SHAFT COUNTER                |
| 5     | 776275      |     | SHAFT, OUTPUT, 9T            |
| 6     | 778247      |     | GEAR, OUTPUT, 35T            |
| 7     | 778253      |     | GEAR, SPUR, 15T              |
| 8     | 792138      |     | KEY                          |
| 9     | 784216      |     | COLLAR SHIFT                 |
| 10    | 784342      |     | ROD AND FORK ASSY SHIFT      |
| 11    | 778246      |     | GEAR BEVEL, 33T              |
| 12    | 778245      |     | BEVEL PINION, 13T            |
| 13    | 778198      |     | GEAR BEVEL                   |
| 14    | 778197      |     | PINION, 10T                  |
| 15    | 778248      |     | GEAR, RING, 31T              |
| 16    | 786027      |     | BLOCK DRIVE                  |
| 17    | 786019      |     | PIN DRIVE                    |
| 18    | 786121      |     | SPACER, .350/.340 THICK      |
| 18A   | 786122      |     | SPACER, .276/.268 THICK      |
| 20    | 792077      |     | BALL STEEL, 5/16" DIA.       |
| 21    | 792078      |     | SCREW, 3/8-16 X 3/8"         |
| 22    | 792079      |     | SPRING                       |
| 24    | 780071      |     | THRUST BEARING               |
| 25    | 792129      |     | SCREW HEX HD 5/16-18 X 1-1/4 |
| 25A   | 792073      |     | SCREW, 1/4-20 X 1-1/4        |
| 26    | 792018      |     | RING STRAP                   |
| 27    | 792018      |     | RING STRAP                   |
| 28    | 788040      |     | RETAINING RING               |
| 29    | 780072      |     | WASHER THRUST                |
| 30    | 780108      |     | WASHER THRUST                |
| 31    | 780128      |     | WASHER THRUST                |
| 31A   | 780107      |     | WASHER                       |
| 31B   | 780042      |     | WASHER THRUST                |
| 36    | 790043      |     | DISK BRAKE                   |
| 37    | 790007      |     | PLATE BRAKE PAD              |
| 38    | 799021      |     | BRAKE PAD                    |
| 39    | 786026      |     | PIN DOWEL                    |
| 40    | 792076A     |     | WASHER                       |
| 41    | 790047      |     | LEVER BRAKE                  |
| 42    | 792073      |     | SCREW, 1/4-20 X 1-1/4        |
| 42A   | 792085A     |     | SCREW, 1/4-20 X 2-1/4        |
| 43    | 792075      |     | LOCKNUT 5/16-24              |
| 44    | 790025      |     | HOLDER BRAKE PAD             |
| 45    | 786067      |     | SPACER                       |
| 46    | 786086      |     | BRKT BRAKE LEVER             |
| 47    | 774832      |     | AXLE, 12-5/16" LONG          |
| 48    | 774831      |     | AXLE, 16-3/16" LONG          |
| 49    | 778216A     |     | GEAR, SPUR, 41T              |
| 50    | 778206A     |     | GEAR, SPUR, 35T              |
| 51    | 778205A     |     | GEAR, SPUR, 30T              |
| 52    | 778204A     |     | GEAR, SPUR, 25T              |
| 53    | 778203A     |     | GEAR, SPUR, 22T              |
| 54    | 778273      |     | GEAR, SPUR, 19T              |
| 57    | 778199      |     | GEAR, SPUR, 15T              |
| 58    | 778200      |     | GEAR, SPUR, 20T              |
| 59    | 778201      |     | GEAR, SPUR, 25T              |
| 60    | 778202      |     | GEAR, SPUR, 28T              |

| Ref # | Part Number | Qty | Description                        |
|-------|-------------|-----|------------------------------------|
| 61    | 778208      |     | GEAR, SPUR, 31T                    |
| 65    | 780139      |     | WASHER                             |
| 66    | 776274      |     | SHAFT INPUT                        |
| 67    | 776313      |     | SHAFT BRAKE                        |
| 71    | 788069      |     | SEAL SQUARE CUT                    |
| 71A   | 792145      |     | PUSHNUT                            |
| 72    | 792165      |     | THREADED PLUG 9/16-18              |
| 72A   | 788091      |     | "O" RING                           |
| 79    | 792144      |     | SPRING                             |
| 81    | 786081      |     | CHAIN, ROLLER                      |
| 82    | 786082      |     | SPROCKET 9T                        |
| 83    | 786123      |     | SPROCKET 18T (REV)                 |
| 84    | 786131      |     | BEARING CAP                        |
| 87    | 788042      |     | OIL SEAL 3/4                       |
| 88    | 780199      |     | P/N CONFLICT - CHECK WITH SUPPLIER |
| 89    | 780050      |     | BEARING BALL                       |
| 90    | 788067B     |     | GREASE BENTONITE, 32 OZ.           |
| 96    | 780084      |     | BEARING THRUST                     |
| 97    | 780051      |     | WASHER THRUST                      |
| 98    | 780165      |     | WASHER                             |
| 99    | 788077      |     | "O" RING                           |
| 100   | 780166      |     | WASHER CUPPED                      |
| 101   | 774833      |     | CARRIER DIFF THREADED HOLES        |
| 102   | 774834      |     | CARRIER DIFF                       |
| 103   | 792020      |     | SCREW, 1/4-20 X 2-1/4              |
| 104   | 792006      |     | WASHER LOCK 1/4                    |
| 105   | 780153      |     | WASHER                             |
| 106   | 786144      |     | SLEEVE                             |
| 107   | 780152      |     | BEARING NEEDLE                     |
| 108   | 780150      |     | BEARING NEEDLE                     |
| 109   | 792001      |     | "O" RING                           |
| 110   | 786142      |     | SLEEVE STEPPED                     |
| 111   | 788071      |     | RING SQ CUT                        |
| 112   | 780168      |     | BEARING NEEDLE CAPPED              |
| 113   | 786143      |     | SLEEVE STEPPED                     |
| 114   | 780151      |     | BEARING NEEDLE CAPPED              |
| 115   | 786145      |     | SLEEVE STEPPED                     |
| 116   | 788070      |     | RING SQ CUT                        |
| 117   | 780031      |     | BEARING NEEDLE                     |
| 150   | 788093      |     | GASKET ELIMINIATOR                 |
| 900   | 794513      |     | TRANSAXLE, COMPLETE                |

## TRACTOR - - MODEL NUMBER CT18546A

### SCHEMATIC



IGNITION SWITCH

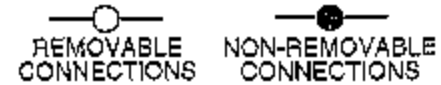
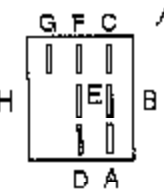
| POSITION  | CIRCUIT   | "MAKE" |
|-----------|-----------|--------|
| OFF       | G + M + L | NONE   |
| RUN/LIGHT | B + L     | A + Y  |
| RUN       | B + L     | NONE   |
| START     | B + L + S | NONE   |

**NOTE**

YOUR TRACTOR IS EQUIPPED WITH A SPECIAL ALTERNATOR SYSTEM THE LIGHTS ARE NOT CONNECTED TO THE BATTERY, BUT HAVE THEIR OWN ELECTRICAL SOURCE BECAUSE OF THIS, THE BRIGHTNESS OF THE LIGHTS WILL CHANGE WITH ENGINE SPEED AT IDLE THE LIGHTS WILL DIM AS THE ENGINE IS SPEEDED UP, THE LIGHTS WILL BECOME THEIR BRIGHTEST

**PTO SWITCH**

| POSITION | CIRCUIT             |
|----------|---------------------|
| OFF      | C + G, B + H        |
| ON       | C + F, B + E, A + D |

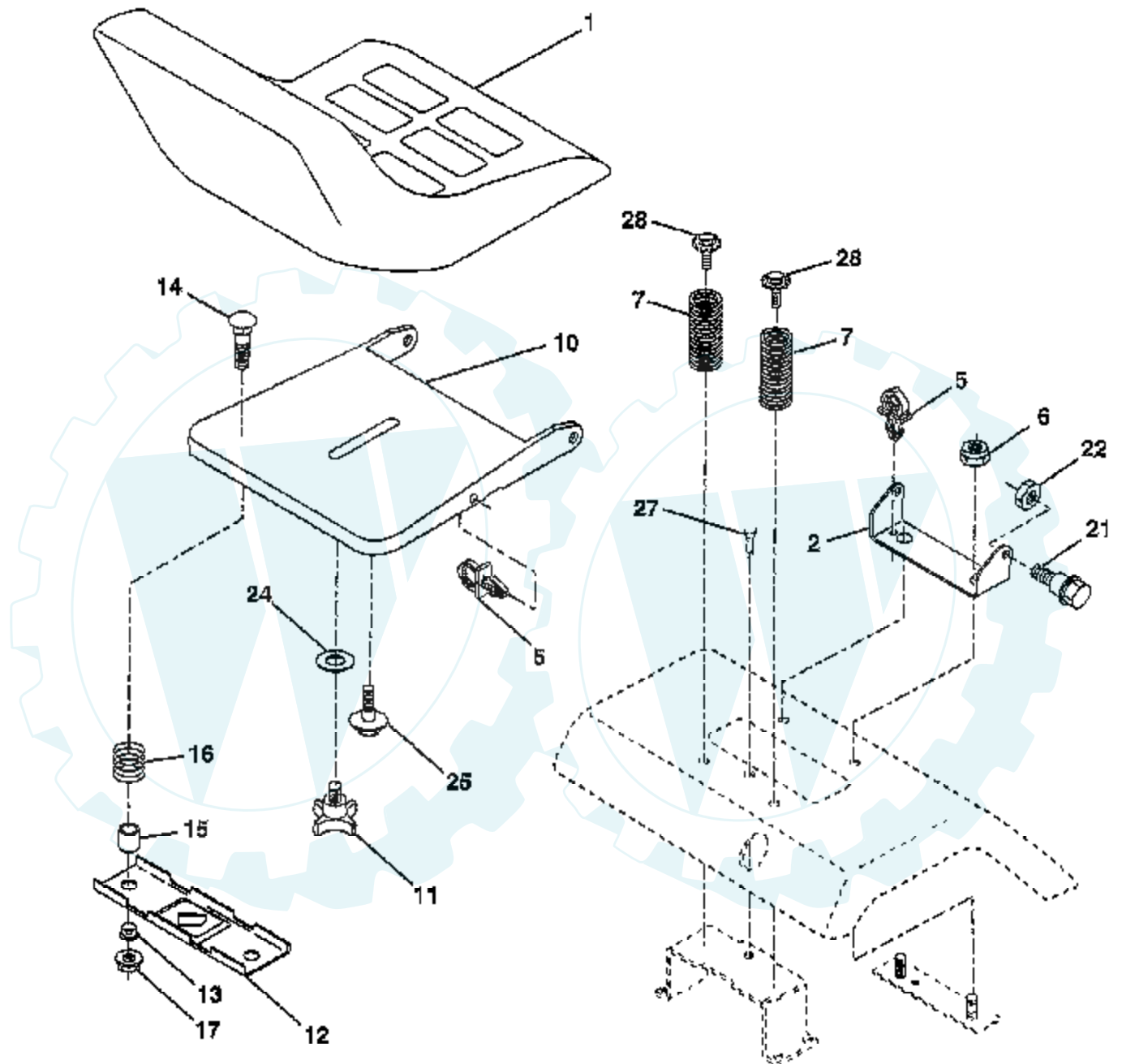


**WIRING INSULATED CLIPS**

NOTE: IF WIRING INSULATED CLIPS WERE REMOVED FOR SERVICING OF UNIT, THEY SHOULD BE REPLACED TO PROPERLY SECURE YOUR WIRING

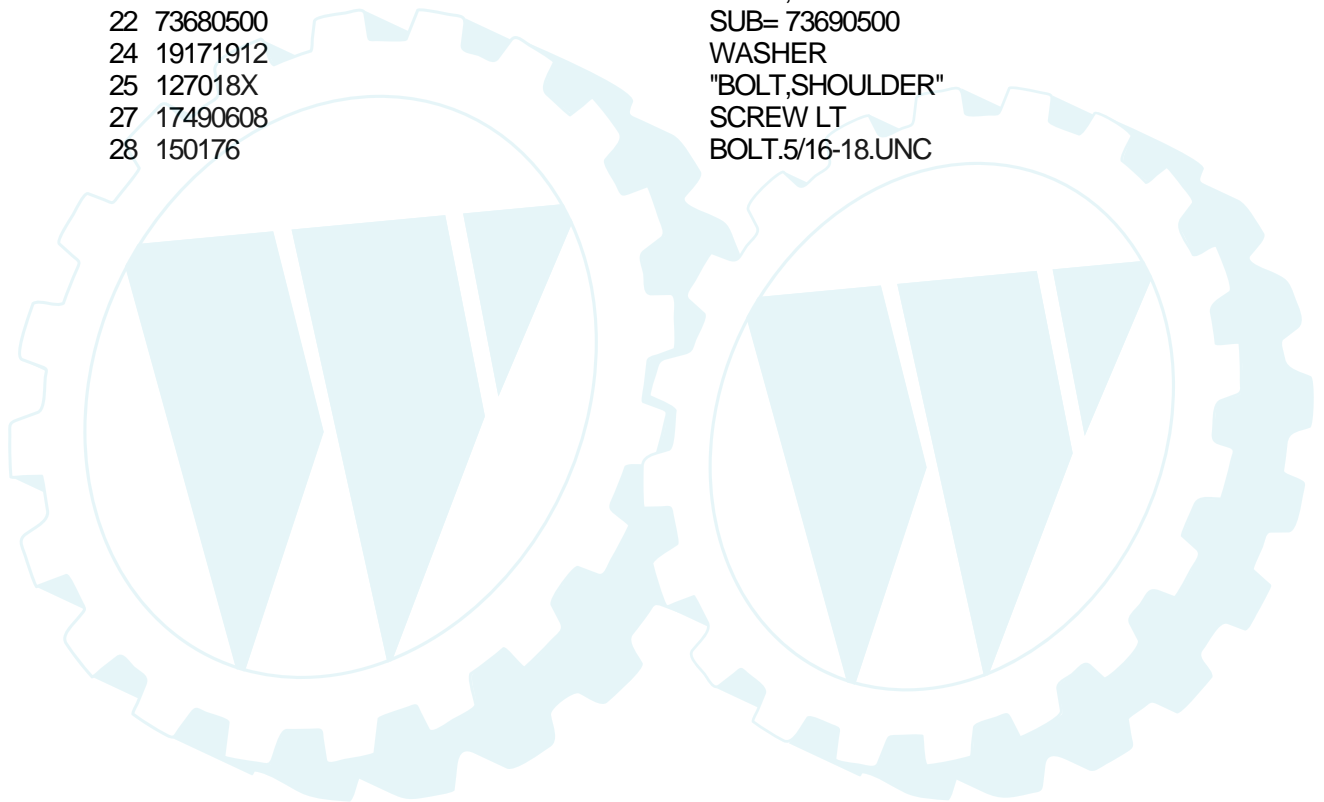
## TRACTOR - - MODEL NUMBER CT18546A

### SEAT ASSEMBLY



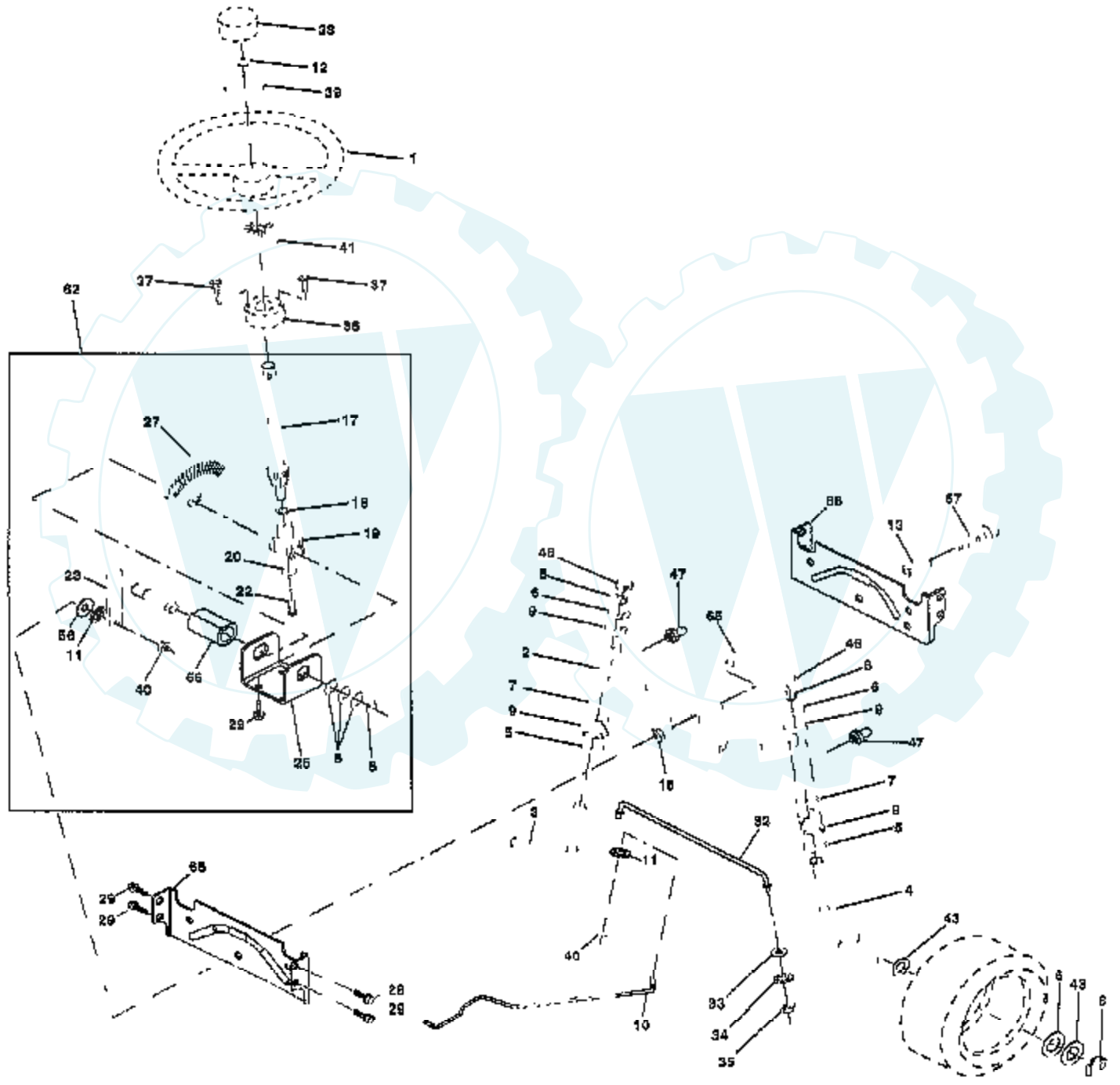
NOTE: All component dimensions given in U S inches  
1 inch = 25.4 mm

| Ref # | Part Number | Qty | Description       |
|-------|-------------|-----|-------------------|
| 1     | 127440      |     | SUB= 140121       |
| 2     | 140551      |     | BRACKET PVT SEAT  |
| 5     | 145006      |     | CLIP.PUSH-IN.HING |
| 6     | 73800600    |     | NUT               |
| 7     | 124181X     |     | SPRING COMPRESSIO |
| 10    | 155925      |     | PAN-SEAT          |
| 11    | 120068X     |     | "KNOB 1/2"" YT"   |
| 12    | 121246X     |     | BRKT SWITCH       |
| 13    | 121248X     |     | BUSHING           |
| 14    | 72050411    |     | SUB= 872050411    |
| 15    | 121249X     |     | SPACER SPLIT      |
| 16    | 123740X     |     | SPRING COMPRESSED |
| 17    | 123976X     |     | SUB= 73900400     |
| 21    | 153236      |     | "BOLT,SHOULDER"   |
| 22    | 73680500    |     | SUB= 73690500     |
| 24    | 19171912    |     | WASHER            |
| 25    | 127018X     |     | "BOLT,SHOULDER"   |
| 27    | 17490608    |     | SCREW LT          |
| 28    | 150176      |     | BOLT.5/16-18.UNC  |



# TRACTOR - - MODEL NUMBER CT18546A

## STEERING ASSEMBLY

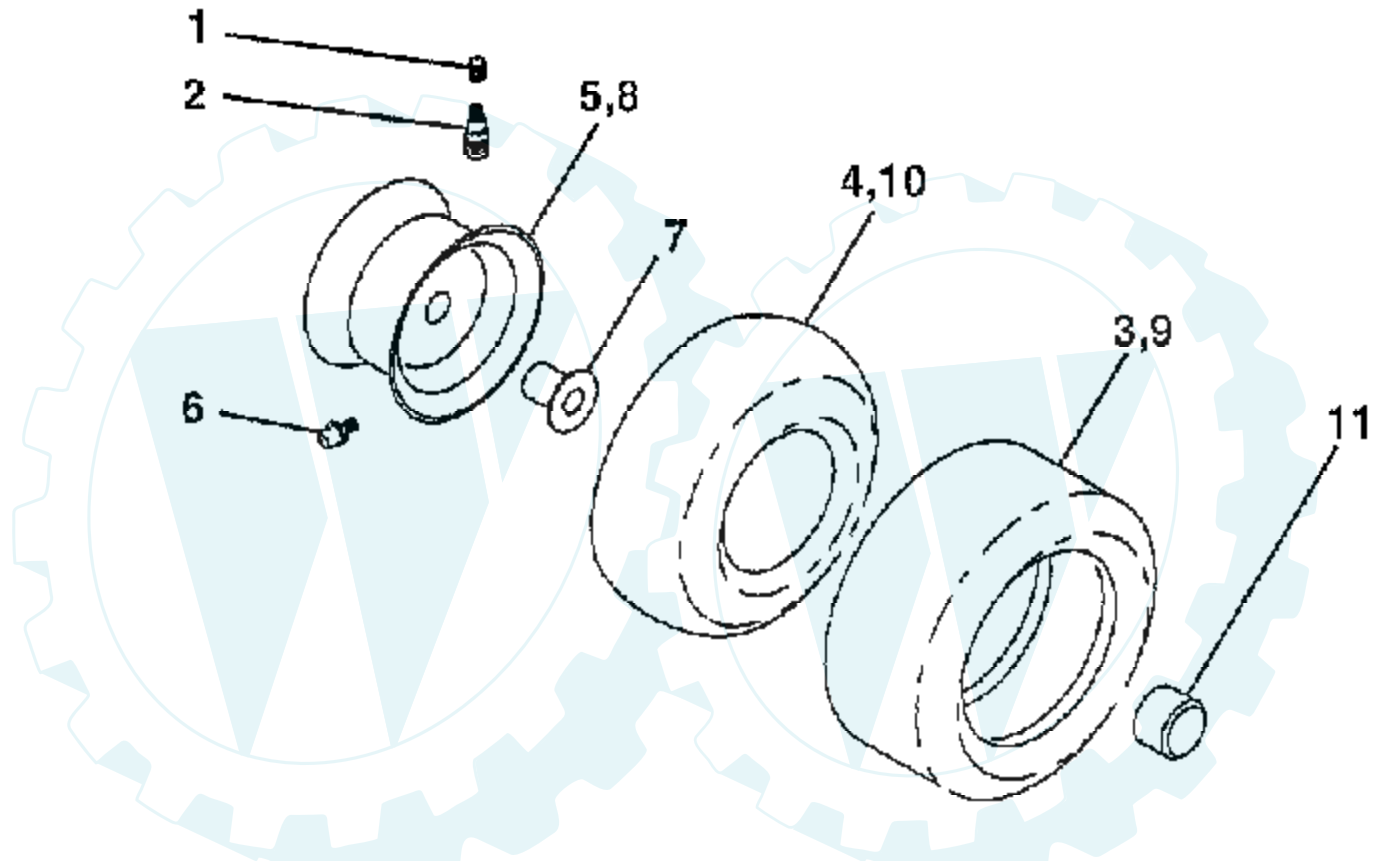


| Ref # | Part Number | Qty | Description         |
|-------|-------------|-----|---------------------|
| 1     | 140044      |     | WHEEL STR AYP BLK   |
| 2     | 154427      |     | AXLE ASM            |
| 3     | 154924      |     | "SPINDLE ASM, LH"   |
| 4     | 154925      |     | SPINDLE ASM RH      |
| 5     | 6266H       |     | WASHER .T           |
| 6     | 121748X     |     | WASHER              |
| 7     | 19272016    |     | WASHER              |
| 8     | 12000029    |     | RING                |
| 9     | 3366R       |     | COL. SRTG. BEAR.    |
| 10    | 156438      |     | DRAGLINK-STAMPED    |
| 11    | 10040600    |     | LOCKWASHER          |
| 12    | 73940800    |     | SUB= 73360800       |
| 13    | 154779      |     | BEARING AXLE        |
| 15    | 73901000    |     | "NUT-LOC,FLANGE LT" |
| 17    | 156544      |     | STEERING SHAFT      |
| 18    | 57079       |     | THRUST WASHER       |
| 19    | 124035X     |     | SUPPORT.SHAFT       |
| 20    | 126684X     |     | SUB= 532126684      |
| 22    | 71200410    |     | SCREW HEX SOC1/4-   |
| 23    | 127501      |     | SUB= 918127501      |
| 25    | 154406      |     | BRKT-STEERING       |
| 27    | 136874      |     | GEAR SECTOR         |
| 29    | 17490612    |     | SCREW               |
| 32    | 139929      |     | ROD.TIE.19.75       |
| 33    | 19111216    |     | WASHER M            |
| 34    | 10040500    |     | LOCKWASHER          |
| 35    | 73810500    |     | NUT.LOCK.5/16-24    |
| 36    | 145207      |     | BUSHING.STRG.3/4    |
| 37    | 152927      |     | "SCREW-TT,10-32 FL" |
| 38    | 140045      |     | CAP STEER AYP       |
| 39    | 100712K     |     | WASHER              |
| 40    | 7810H       |     | GRIPCO NUT          |
| 41    | 100711L     |     | ADAPTER LT          |
| 43    | 121749X     |     | WASHER              |
| 46    | 121232X     |     | CAP                 |
| 47    | 6855M       |     | ZERK M              |
| 62    | 156596      |     | STEERING KIT        |
| 65    | 154780      |     | SPACER AXLE         |
| 66    | 154404      |     | "BEARING-ARM,PITMA" |
| 67    | 74781044    |     | BOLT                |
| 68    | 154479      |     | MANUAL.P.EN12536B   |



# TRACTOR - - MODEL NUMBER CT18546A

## WHEELS & TIRES



**NOTE:** All component dimensions given in U S inches  
1 inch = 25.4 mm

| Ref # | Part Number | Qty | Description              |
|-------|-------------|-----|--------------------------|
| 1     | 59192       |     | VALVE CAP                |
| 2     | 65139       |     | VALVE STEM LT            |
| 3     | 106230X     |     | SUB= 122075X             |
| 4     | 59904       |     | TUBE.5.3/4.5/6           |
| 5     | 106228X421  |     | RIM ASSEMBLY, FRONT, 8"  |
| 6     | 278H        |     | FITTING LT               |
| 7     | 9040H       |     | "FLANGE, BEARING"        |
| 8     | 124074X421  |     | RIM ASSEMBLY, REAR, 12"  |
| 9     | 124106X     |     | SUB= 138756              |
| 10    | 7154J       |     | TUBE.23X8/10-12          |
|       | 144334      |     | SEALANT.TIRE 10 OZ. TUBE |

