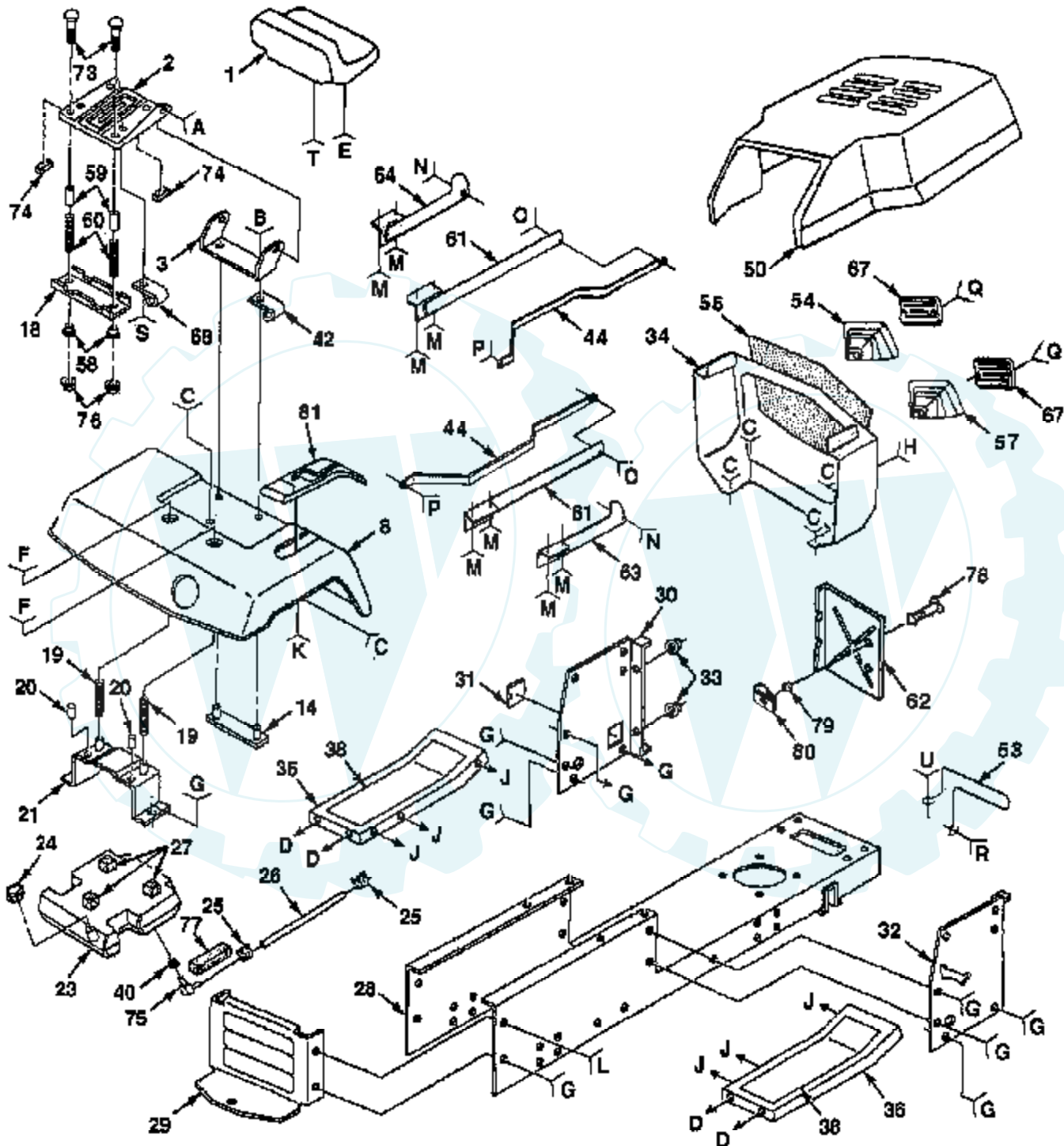


18 HP 44" TRACTOR - - MODEL NUMBER CT1844F

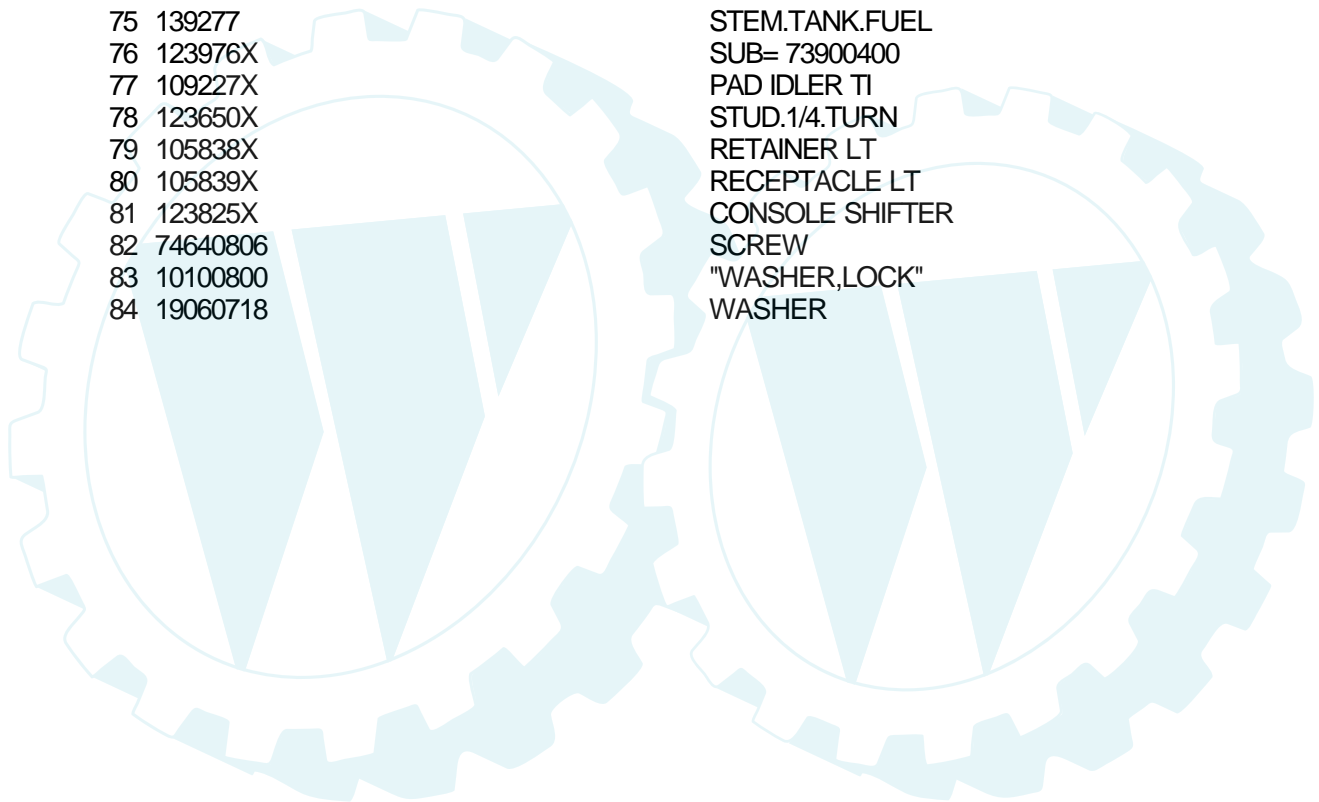
CHASSIS AND ENCLOSURES



- | A | B | C | D | E | F | G | H | J | K | L | M | N | O | P | Q | R | S | T | U |
|---|---|---|----|----|----|----|----|----|----|----|----|----|----|----|----|----|----|----|----|
| 4 | 7 | 5 | 13 | 10 | 22 | 11 | 52 | 37 | 82 | 13 | 71 | 47 | 48 | 17 | 38 | 41 | 70 | 72 | 9 |
| 6 | | | 7 | 15 | 88 | | 49 | 7 | 83 | 7 | | | 48 | 48 | 16 | 48 | 66 | | 45 |
| | | | | | | | | | | | | | 58 | 58 | 58 | | | | |

Ref #	Part Number	Qty	Description
1	127440		SUB= 140121
2	131451		SUB= 155925
3	126656X		SUB= 140551
4	105529X		SUB= 139888
5	17490608		SCREW LT
6	73680500		SUB= 73690500
7	73680600		SUB= 73690600
8	123784X419		FENDER
9	17490616		SCREW GTV
10	120068X		"KNOB 1/2"" YT"
11	17490612		SCREW
12	19131312		WASHER
13	74760612		SUB= 74780612
14	105511X		SUB= 140675
15	19171912		WASHER
16	10040400		LOCKWASHER
17	74760412		BOLT LT
18	121246X		BRKT SWITCH
19	124181X		SPRING COMPRESSIO
20	105531X		NUT-PUSH YT
21	137113		BRKT.ASM.FENDER
22	17490508		SCREW LT
23	127334X		SUB= 151346
24	123549X		SUB= 158990
25	123487X		HOSE CLAMP
26	7384R		LINE, FUEL
27	106082X		PAD-SPACER LT
28	127166X		CHASSIS
29	123785X		DRAW BAR
30	138644		PANEL.DASH.LH
31	121794X		COVER ACCESS
32	138643		PANEL.DASH.RH
33	110436X		SUB= 9151R
34	5351J419		GRILL T
35	105465X419		SUB= 145244X419
36	105464X419		FOOTREST RH
37	72110606		BOLT
38	133671		FOOTREST PAD
39	17990808		SCREW
40	3645J		BUSHING OUTLET T
41	72110608		BOLT D
42	2751R		CLIP T
44	109587X		NLA
45	19131616		WASHER HYT
46	19090816		WASHER
47	7605J		BOLT T
48	124549X		"BOLT,SHOULDER"
49	8019J		SUB= 19071018
50	3607J366		SUB= 3607J419
52	17511208		SCREW
53	135029		MUFFLER GUARD
54	7606J366		SUB= 7606J361
55	101235L		SCREEN GRILL GTV
56	73680400		SUB= 73690400
57	7607J366		SUB= 7607J361
58	121248X		BUSHING
59	121249X		SPACER SPLIT
60	123740X		SPRING COMPRESSED

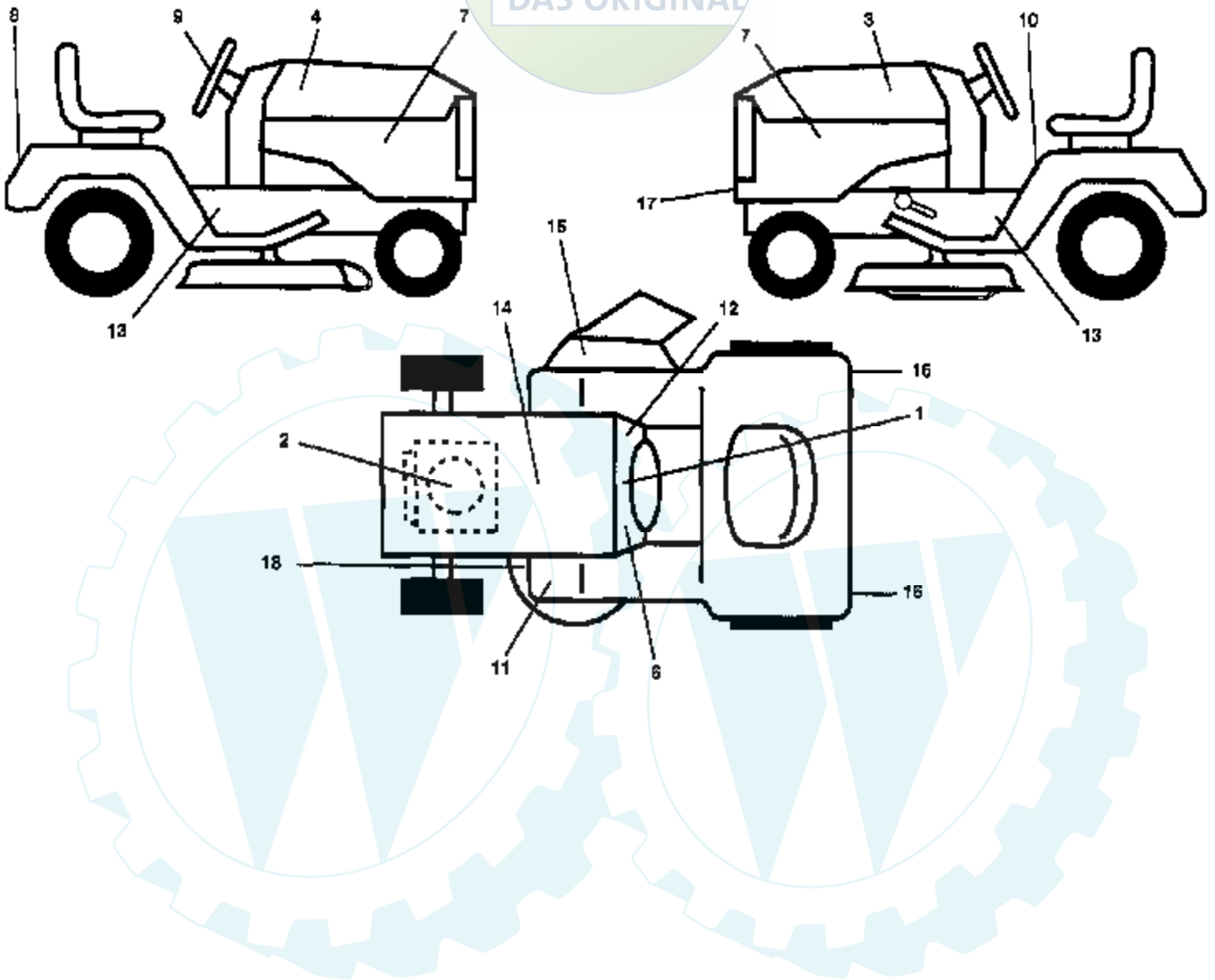
Ref #	Part Number	Qty	Description
61	677A432		STRAP ASSY-REAR T
62	133746		HEAT SHIELD
63	677A876		STRAP ASSY T
64	677A875		STRAP ASSY T
65	73220400		SUB= 50675
66	19131614		WASHER
67	109671X		LENS T
68	4171R		CLIP T
69	73951000		"NUT,KEPS"
70	74641008		SUB= 71031008
71	17411310		SUB= 17521312
72	127018X		"BOLT,SHOULDER"
73	72050411		SUB= 872050411
74	121251X		STRIP FORM
75	139277		STEM.TANK.FUEL
76	123976X		SUB= 73900400
77	109227X		PAD IDLER TI
78	123650X		STUD.1/4.TURN
79	105838X		RETAINER LT
80	105839X		RECEPTACLE LT
81	123825X		CONSOLE SHIFTER
82	74640806		SCREW
83	10100800		"WASHER,LOCK"
84	19060718		WASHER



18 HP 44" TRACTOR - - MODEL NUMBER CT1844F



DECALS

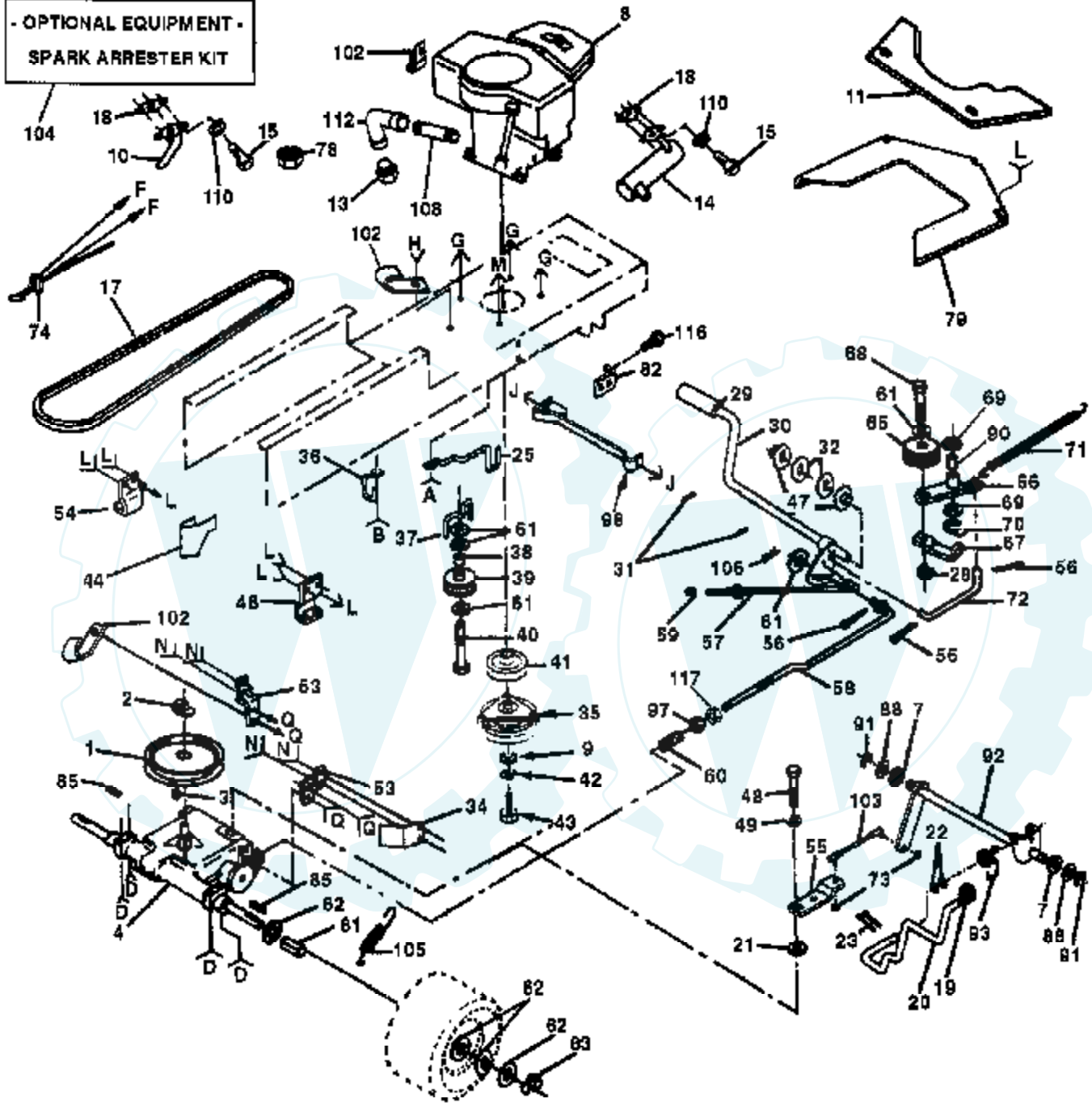


Ref #	Part Number	Qty	Description
1	136795		SUB= 138956
2	135426		DECAL.ENG.272559
3	137967		DECAL.STRIPE.HOOD
4	137966		NLA
6	124189X		NLA
7	137661		DECAL.HOOD.INSERT
8	137962		DECAL.FENDER
9	137965		DECAL.STG.WHL.INS
10	133795		DECAL CAUTION
11	101892X		DECAL T
12	124188X		NLA
13	127043		NLA
14	121549X		DECAL
15	137259		"DECAL, WARNING"
16	106202X		REFLECTOR-TAIL YT
17	137964		DECAL.GRILLE
18	136834		SUB= 139346
	138311		DECAL HANDLE LIFT
	139616		MANUAL.O.CT1844F
	SB10		SNOW THROWER 40"
	TR69		48" DOZER BLADE
	TA321		55LB. WHEEL WTS.
	LA018		TIRE CHAINS
	TS15		P.T.O. TILLER
	TX11		SLEEVE HITCH

18 HP 44" TRACTOR -- MODEL NUMBER CT1844F

DRIVE

- OPTIONAL EQUIPMENT -
SPARK ARRESTER KIT



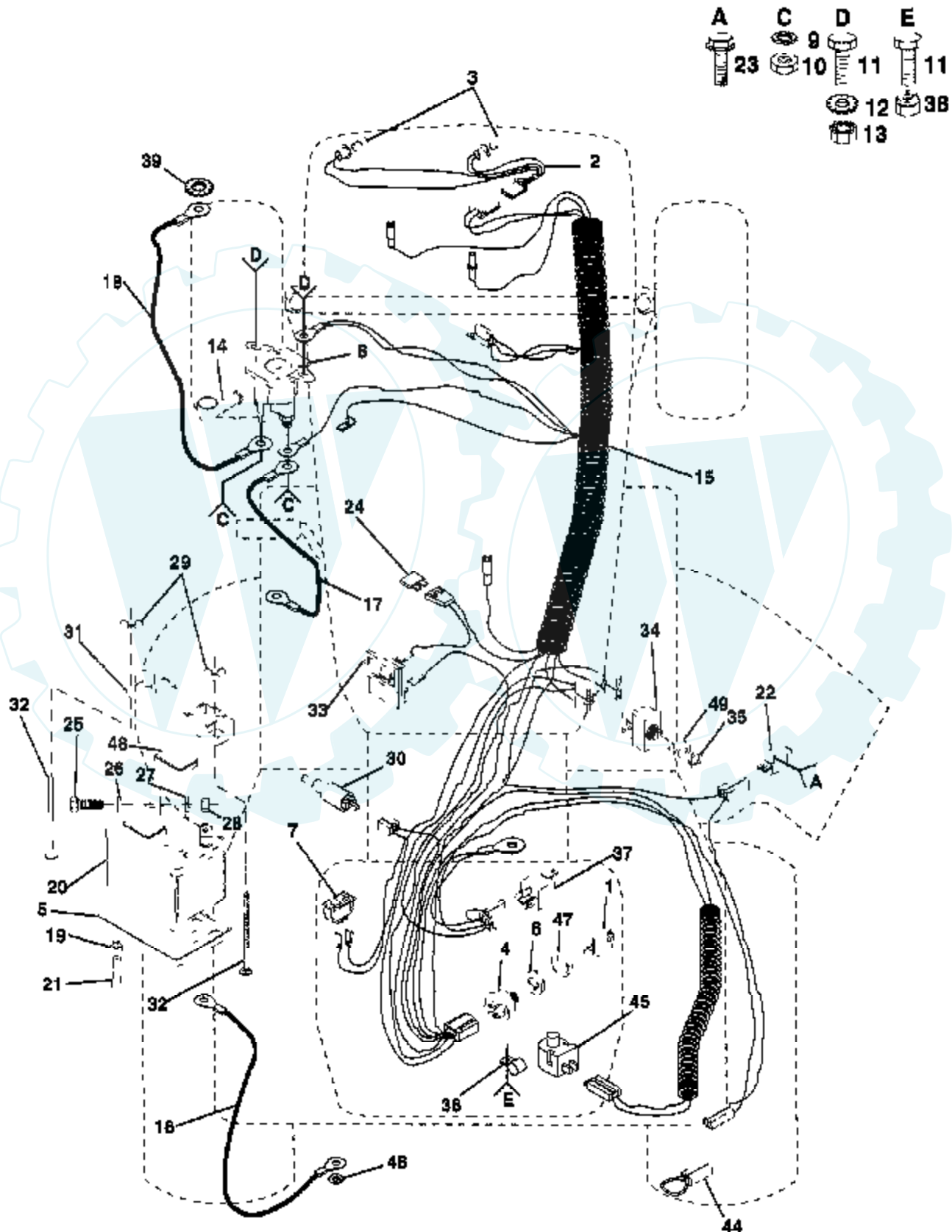
- | | | | | | | | | | | |
|----------|----------|----------|----------|----------|----------|----------|----------|----------|----------|----------|
| A | B | D | F | G | H | J | L | M | N | Q |
| | | | | | | | | | | |
| | | | | | | | | | | |
| | | | | | | | | | | |

Ref #	Part Number	Qty	Description
1	121327X		PULLEY TRANSAXLE
2	12000004		RING
3	2228M		SUB= 2228M1
4	138788		TRANSAX. PRLES.
5	72140506		BOLT
6	19111214		WASHER
7	71208		BUSHING
8	422707		ENGINE B&S 18HP
9	126197X		WASHER
10	100229X		SUB= 100229L
11	109740X		REAR BAFFLE T
12	17490512		SCREW
13			CHECK WITH SUPPLIER
14	108373X		MUFFLER HYT
15	74780412		SUB= 74780414
17	123796X		BELT.GRDRV.94.75
18	8545J		SUB= 272250
19	106279X		CONTROL KNOB LT
20	123781X		SUB= 141002
21	105701X		WASH-SHFT PLT LT
22	19171216		WASHER
23	76020416		PIN COTTER 1/8
24	17490612		SCREW
25	129921		KEEPER.BELT.ENG.L
26	74760616		BOLT
27	19131312		WASHER
28	73680600		SUB= 73690600
29	8883R		PEDAL COVER T
30	122424X		SUB= 149001
31	1572H		SUB= 2882J
32	19211616		WASHER LT
34	123792X		"KEEPER,BELT RH"
35	137140		SUB= 142600
36	136715		SUB= 140312
37	109070X		BELT KEEPER LT
38	4470J		SPACER T
39	123674X		PULLEY.IDLER.FLAT
40	74760644		BOLT
41	136906		PULLEY ENGINE
42	10040700		LOCKWASHER
43	71170768		SUB= 150280
44	123791X		KEEPER BELT LH
46	123776X		BRKT TRANS RH
47	120183X		NYLON BEARING
48	71040412		SUB= 74550412
49	19091216		WASHER PM
51	73680500		SUB= 73690500
52	74760540		BOLT
53	123787X		STRAP TORQUE
54	123780X		BRKT TRANS LH
55	123794X		"ARM,SHIFT"
56	76020412		COTTER PIN
57	133261		BRAKE PARK ROD
58	123786X		ROD BRAKE
59	7733J		SUB= 71673
60	126909X		"SPRING,ROD BRAKE"
61	19131316		WASHER
62	123800X		WASHER

Ref #	Part Number	Qty	Description
64	19111012		WASHER T
65	127783		SUB= 139245
66	123789X		ARM IDLER
67	123205X		RETAIN BELT
68	74760624		SUB= 74930624
69	110812X		WASHER LT
70	12000039		KLIP RING
71	105709X		"SPRING, RETURN LT"
72	105710X		"LINK, CLUTCH T"
73	73530400		NUT 1/4-28
74	132773		SUB= 133439
75	17720410		SCREW LT
78	73510600		NUT
79	123190X		SHIELD HEAT FRT
81	108097X		SPACER HYT
82	108236X		BRACKET LT
83	12000053		E RING HYT
85	9396E		SQ KEY STD
87	17490624		SCREW LT
88	19212016		WASHER D
89	74760612		SUB= 74780612
90	105706X		"LY, BEARING"
91	12000008		KLIP RING
92	123772X		"SHAFT,SHIFTER"
93	123782X		"SPRING,TORSION"
94	11050600		LOCKWASHER
97	73800600		NUT
98	137141		BRACKET.ASM.MTG
102	2751R		CLIP T
103	123793X		"ROD,TIE "
104	132922		SPARK ARREST KIT
105	110422X		SUB= 146682
106	4497H		RETAINER M
108	13280336		PIPE NIPPLE LT
110	10040400		LOCKWASHER
112	13200300		ELBOW
116	17021008		SCREW
117	73350600		NUT

18 HP 44" TRACTOR - - MODEL NUMBER CT1844F

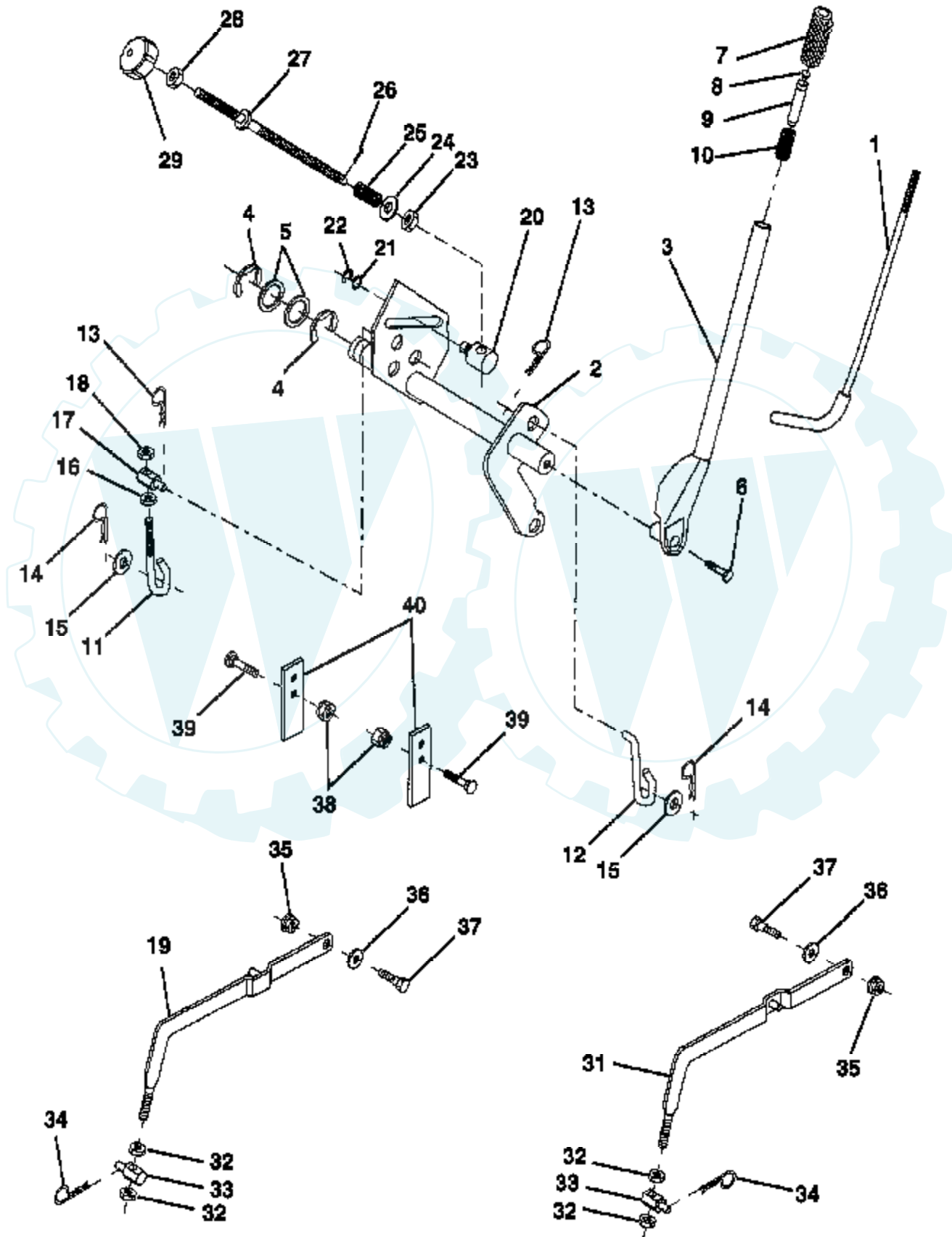
ELECTRICAL



Ref #	Part Number	Qty	Description
1	122147X		KEY
2	136850		"HARNES,LIGHT SOC"
3	7662J		SUB= 4152J
4	4406R		SUB= STD365402
5	7603J		"TRAY T, BATTERY"
6	124211X		NUT IGNITION
7	110712X		SWITCH LT
8	138406		SUB= 146154
9	10090400		SUB= 10040400
10	73350400		NUT
11	74780408		BOLT
12	11050400		LOCKWASHER
13	73510400		NUT
14	131563		SUB= 154336
15	137757		HARNES.IGN.B&S
16	4207J		CABLE T
17	4206J		CABLE-BATTERY T
18	4799J		"CABLE T, BATTERY"
19	109596X		HOSE CLAMP T
20	121537X		SUB= 123899X
21	7697J		"DRAIN TU T, BATT"
22	104445X		SWITCH-INTER. GT
23	17021008		SCREW
24	108824X		FUSE HYT
25	74760412		BOLT LT
26	19091016		WASHER
27	10040400		LOCKWASHER
28	73220400		SUB= 50675
29	123198X		SUB= 146525
30	135665		DIODE ASM.
31	102476X		SUB= 150109
32	72240460		BOLT
33	121433X		SUB= 122822X
34	126017X		"SWITCH,PTO"
35	4022J		HEX NUT T
36	235R		CLIPT
37	109748X		RELAY ASSY T
38	73680400		SUB= 73690400
39	11150400		LOCKWASHER
44	102501X		SUB= 141940
45	121305X		SWITCH SEAT
46	11050600		LOCKWASHER
47	123620X		SUB= 141226
48	121264X		"CAP,BATTERY "
49	19171216		WASHER

18 HP 44" TRACTOR -- MODEL NUMBER CT1844F

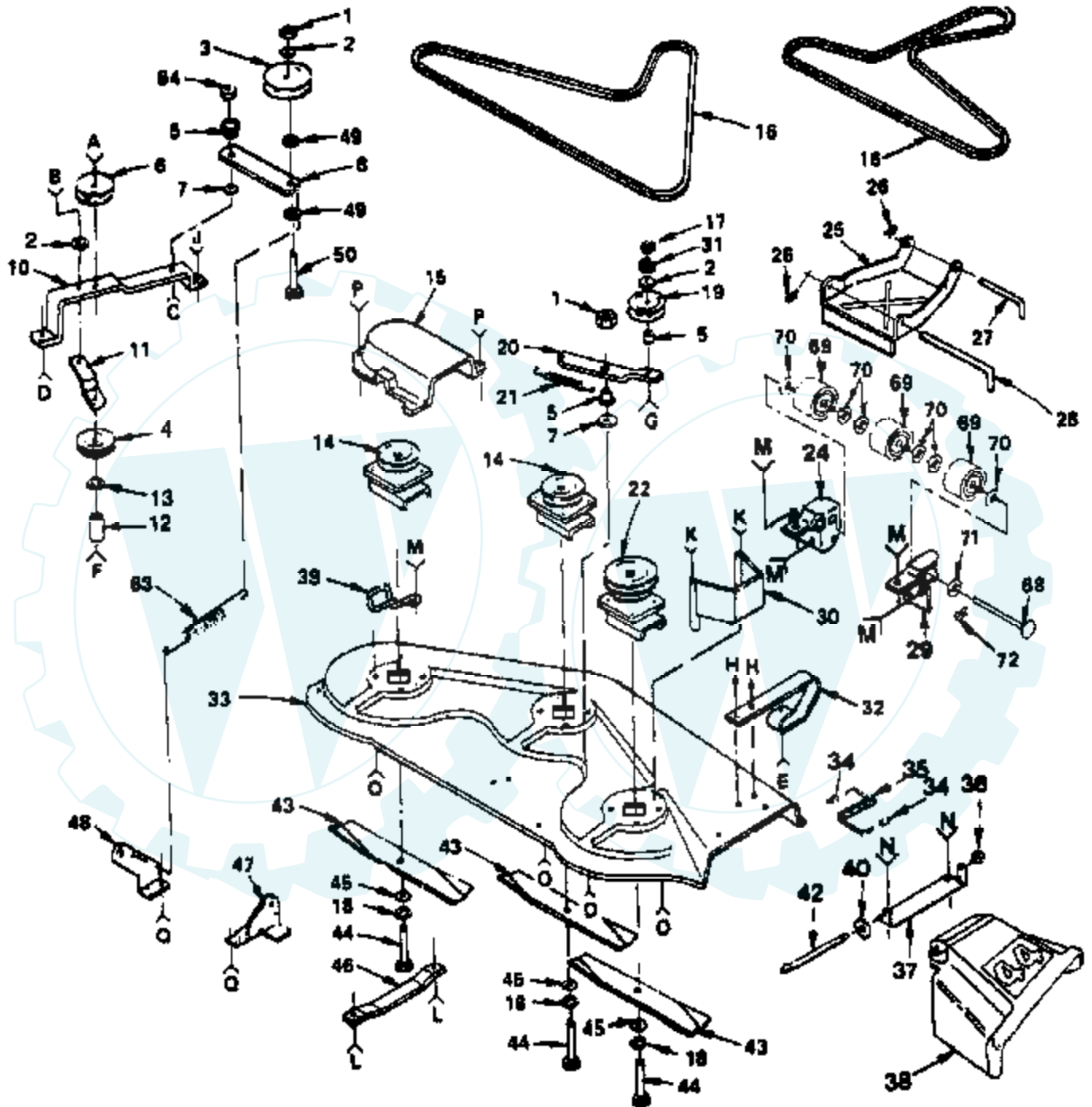
LIFT ADJUSTMENT



Ref #	Part Number	Qty	Description
1	121006X		LEVER ROD LT
2	131926		SUB= 532131926
3	121002X		SUB= 123096X
4	12000022		E-RING
5	19292016		WASHER
6	74780624		"BOLT,HEX"
7	109413X		GRIP
8	124385X		SUB= 125925X
9	122364X		SUB= 125925X
10	2876H		SPRING T
11	110448X		PIVOT PIN T
12	110029X		LIFT LINK LT
13	4939M		SUB= 85902
14	4921H		SPRING.RETAINER
15	19171516		WASHER T
16	73360700		NUT
17	110447X		SUB= 132793
18	73710700		NUT LOCK YTH
19	121599X		LH SUSP ARM ASM
20	110810X		TRUNION LT
21	19151216		WASHER
22	12000037		KLIP RING
23	110807X		NUT T
24	19131016		WASHER
25	2876H		SPRING T
26	76020308		SUB= 3145
27	110729X		ROD LIFT LT
28	73350600		NUT
29	138057		KNOB INF 3/8-16
31	121598X		RH SUSP ARM ASM
32	73220800		NUT
33	106308X		SUB= 130171
34	9135R		SPRING H
35	73980600		NUT SPECIAL T
36	110739X		WASHER T
37	105848X		"BOLT, SHOULDER LT"
38	73680600		SUB= 73690600
39	72140608		SUB= 72110608
40	121252X		UPSTOP

18 HP 44" TRACTOR - - MODEL NUMBER CT1844F

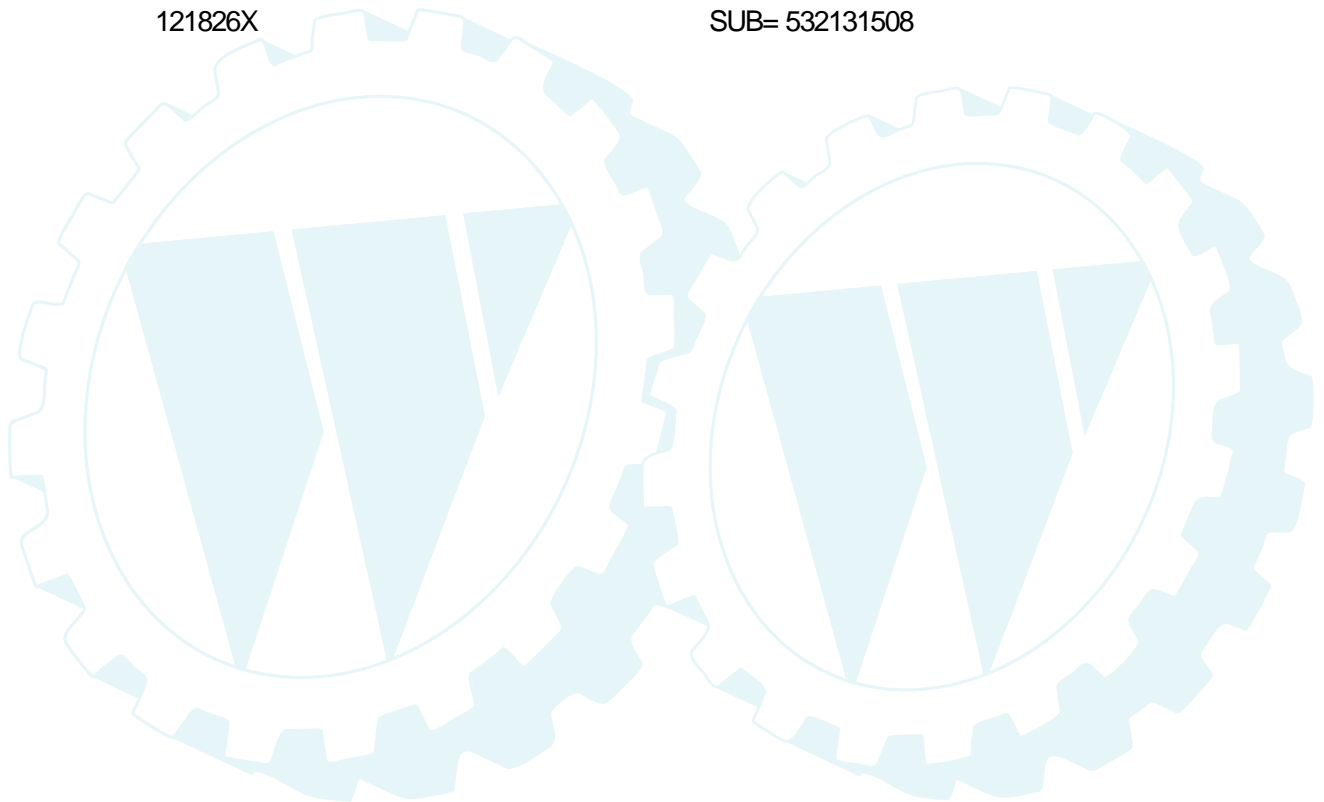
44" MOWER DECK



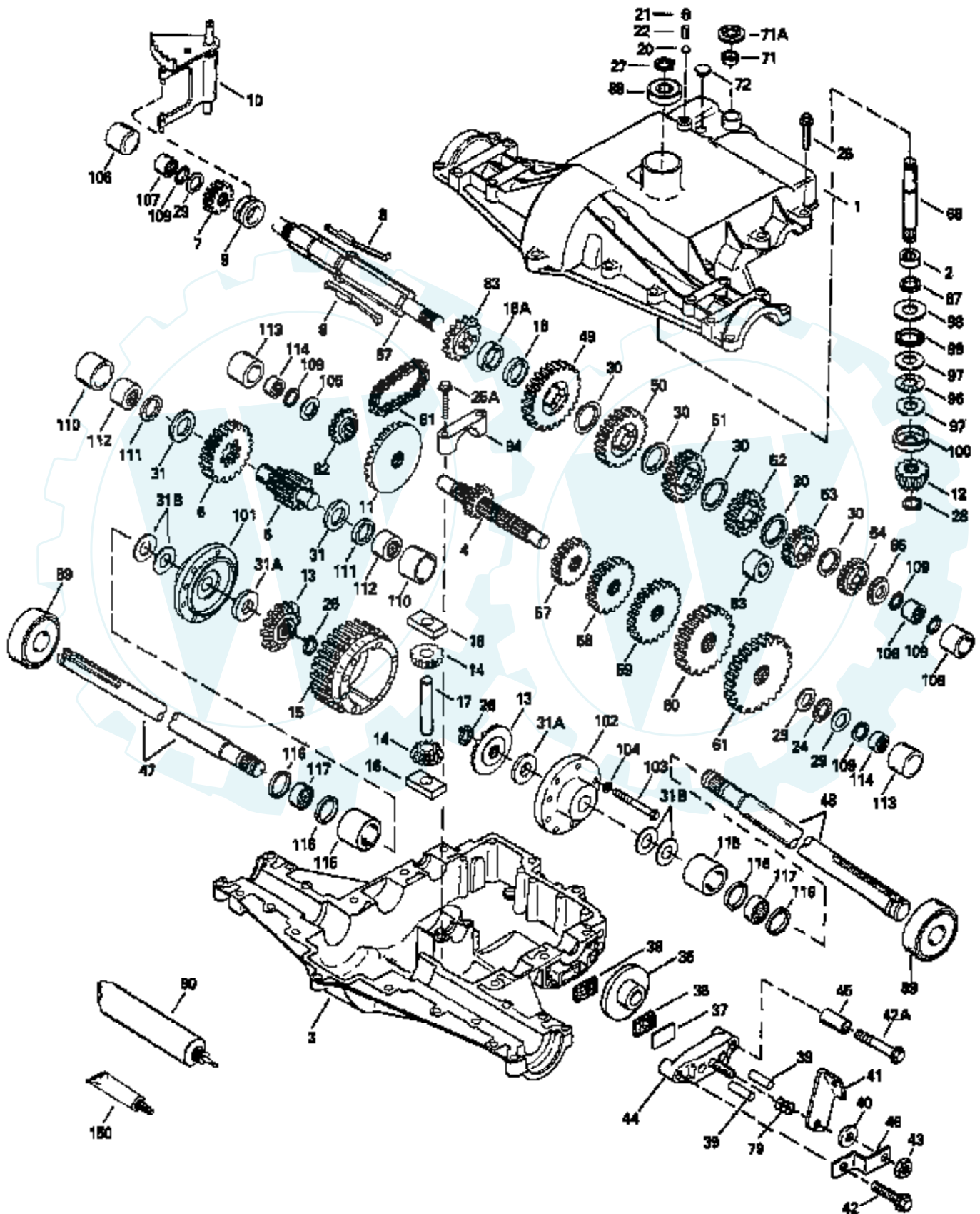
- | A | B | C | D | E | F | G | H | J | K | L | M | N | O | P | Q |
|----|----|----|----|----|----|----|----|----|----|----|----|----|----|----|----|
| 51 | 52 | 53 | 64 | 55 | 58 | 59 | 55 | 23 | 62 | 9 | 65 | 56 | 66 | 85 | 67 |
| 41 | 1 | | | 56 | 59 | 59 | 60 | 1 | 61 | 57 | 61 | 57 | | 56 | 1 |
| 2 | | | | 80 | 1 | | | | 61 | | 61 | | | 57 | |
| 1 | | | | | | | | | 57 | | | | | | |

Ref #	Part Number	Qty	Description
1	73680600		SUB= 73690600
2	19131614		WASHER
3	121316X		PULLEY IDLER
4	102403X		IDLER-FLAT T
5	106902X		SPACER RETAINER
6	677A451		IDLER-INSIDE T
7	106513X		"WASHER, WEAR LT"
8	121425X		ARM IDLER
9	72110505		BOLT
10	106523X		"SUPPORT YT, BAR"
11	106522X		BRACE-IDLER YT
12	121236X		SPACER
13	19131316		WASHER
14	121658X		SUB= 136819
15	106214X		GUARD YT
16	106085X		BELT-V.79.1.MWR
17	73220600		NUT.HEX.3/8-16UNC
18	10030600		SUB= 10040600
19	105932X		"WASHER, PLAIN LT"
20	106526X		ARM-IDLER YT
21	7644J		SPRING T
22	121705X		JACKSHAFT
23	74760616		BOLT
24	109599X		BRACKET LH YTH
25	105662X		LINK.PARALLEL
26	4921H		SPRING.RETAINER
27	105744X		"ROD, FRT. PARAL T"
28	109835X		HINGE PIN T
29	109600X		BRACKET RH YTH
30	108119X		GUARD BELT HYT
31	10040600		LOCKWASHER
32	136321		RUNNER.RH
33	121423X		SUB= 144729
34	105304X		CAP-SLEEVE LT
35	123713X		SPRING TORSION
36	110452X		NUT PUSH M
37	137607		BRKT DEFLECTOR
38	109785X		DEFLECTOR SHIELD
39	121352X		BELT RETIANER
40	19111016		WASHER
41	19131410		WASHER
42	106735X		ROD-HINGE T
43	106635X		SUB= 25034
44	74610624		BOLT.3/8-24X1-1/2
45	19132012		WASHER
46	7631J		RUNNER-LH M
47	123807X		BRKT SUSP REAR RH
48	123808X		BRKT SUSP REAR LH
49	19131210		WASHER
50	72140620		BOLT
51	72140614		BOLT
52	72140608		SUB= 72110608
53	72140612		BOLT
54	74760620		SUB= 74780620
55	72140506		BOLT
56	19111116		WASHER
57	73680500		SUB= 73690500
58	74760648		BOLT - HEX 3/8 - 16 X 3

Ref #	Part Number	Qty	Description
59	74110632		SCREW YT
60	1685H		SUB= 68478
61	19111216		WASHER M
62	74760580		BOLT
63	102727X		"SPRING.EXT.8.5""
64	73930600		LOCKNUT
65	72110506		SUB= 72270506
66	17490612		SCREW
67	72140606		BOLT
68	109776X		PIVOT PIN T
69	109729X		ROLLER T
70	19151610		WASHER T
71	19151616		SUB= 19171616
72	76020412		COTTER PIN
	121826X		SUB= 532131508



18 HP 44" TRACTOR -- MODEL NUMBER CT1844F
PEERLESS TRANSAXLE - MODEL NUMBER 820-016B

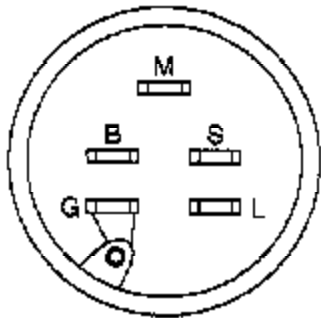
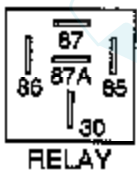
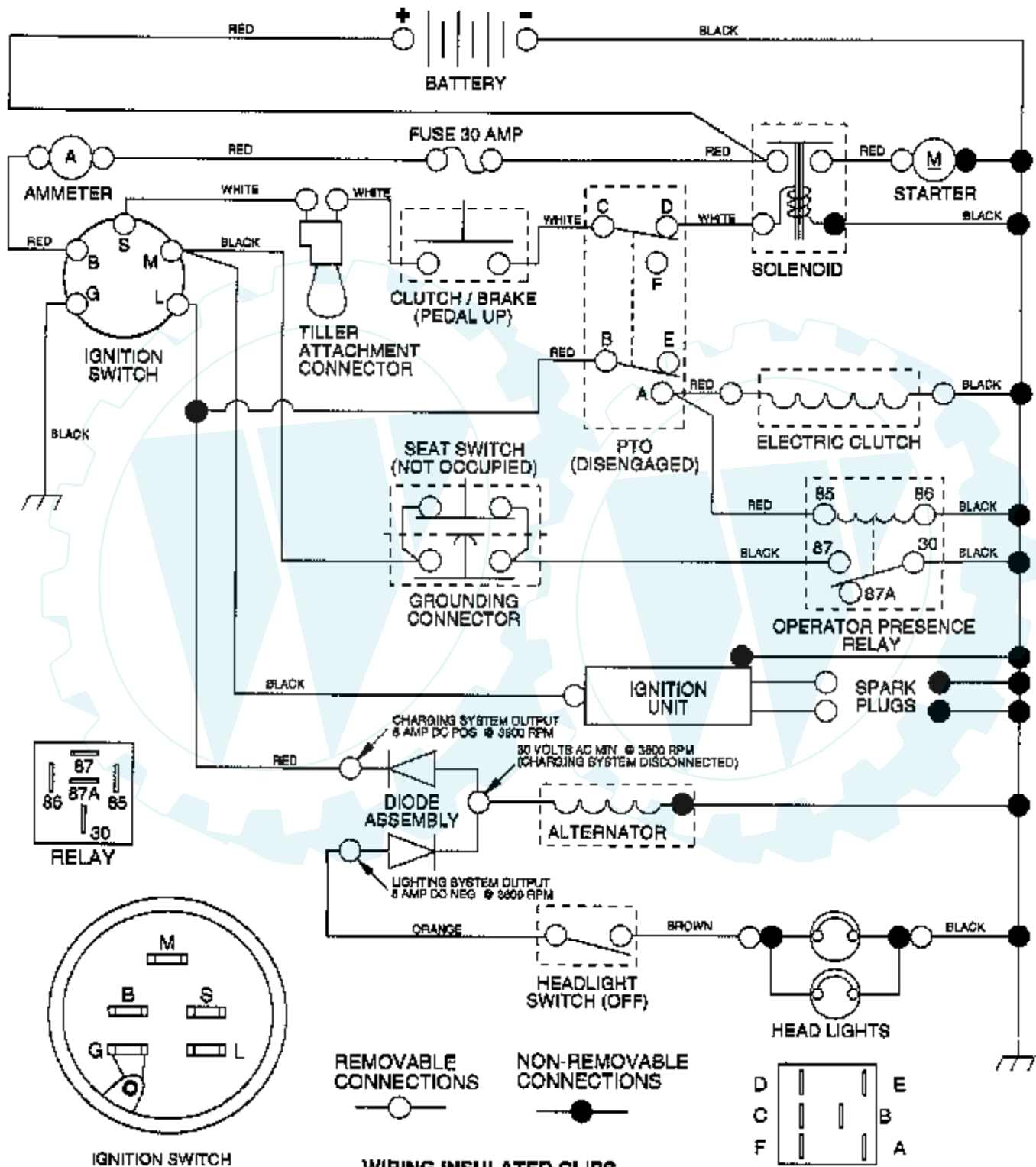


Ref #	Part Number	Qty	Description
	794513		TRANSAXLE, COMPLETE
1	772098A		COVER TRANSAXLE
2	780155		BEARING NEEDLE
3	770088		CASE TRANSAXLE
4	776291		SHAFT COUNTER
5	776275		SHAFT, OUTPUT, 9T
6	778247		GEAR, OUTPUT, 35T
7	778253		GEAR, SPUR, 15T
8	792138		KEY
9	784216		COLLAR SHIFT
10	784342		ROD AND FORK ASSY SHIFT
11	778246		GEAR BEVEL, 33T
12	778245		BEVEL PINION, 13T
13	778198		GEAR BEVEL
14	778197		PINION, 10T
15	778248		GEAR, RING, 31T
16	786027		BLOCK DRIVE
17	786019		PIN DRIVE
18	786121		SPACER, .350/.340 THICK
18A	786122		SPACER, .276/.268 THICK
20	792077		BALL STEEL, 5/16" DIA.
21	792078		SCREW, 3/8-16 X 3/8"
22	792079		SPRING
24	780071		THRUST BEARING
25	792129		SCREW HEX HD 5/16-18 X 1-1/4
25A	792073		SCREW, 1/4-20 X 1-1/4
26	792018		RING STRAP
27	792018		RING STRAP
28	788040		RETAINING RING
29	780072		WASHER THRUST
30	780108		WASHER THRUST
31	780128		WASHER THRUST
31A	780107		WASHER
31B	780042		WASHER THRUST
36	790043		DISK BRAKE
37	790007		PLATE BRAKE PAD
38	799021		BRAKE PAD
39	786026		PIN DOWEL
40	792076A		WASHER
41	790047		LEVER BRAKE
42	792073		SCREW, 1/4-20 X 1-1/4
42A	792085A		SCREW, 1/4-20 X 2-1/4
43	792075		LOCKNUT 5/16-24
44	790025		HOLDER BRAKE PAD
45	786067		SPACER
46	786086		BRKT BRAKE LEVER
47	774832		AXLE, 12-5/16" LONG
48	774831		AXLE, 16-3/16" LONG
49	778216A		GEAR, SPUR, 41T
50	778206A		GEAR, SPUR, 35T
51	778205A		GEAR, SPUR, 30T
52	778204A		GEAR, SPUR, 25T
53	778203A		GEAR, SPUR, 22T
54	778273		GEAR, SPUR, 19T
57	778136		GEAR, SPUR, 15 TEETH
58	778200		GEAR, SPUR, 20T
59	778201		GEAR, SPUR, 25T
60	778202		GEAR, SPUR, 28T

Ref #	Part Number	Qty	Description
61	778208		GEAR, SPUR, 31T
65	780139		WASHER
66	776274		SHAFT INPUT
67	776313		SHAFT BRAKE
71	788069		SEAL SQUARE CUT
71A	792145		PUSHNUT
72	792074		PLUG, THRDED, 9/16-18
79	792144		SPRING
81	786081		CHAIN, ROLLER
82	786082		SPROCKET 9T
83	786123		SPROCKET 18T (REV)
84	786131		BEARING CAP
87	788042		OIL SEAL 3/4
88	780119		BEARING BALL
89	780050		BEARING BALL
90	788067B		GREASE BENTONITE, 32 OZ.
96	780084		BEARING THRUST
97	780051		WASHER THRUST
98	780165		WASHER
99	788077		"O" RING
100	780166		WASHER CUPPED
101	774833		CARRIER DIFF THREADED HOLES
102	774834		CARRIER DIFF
103	792020		SCREW, 1/4-20 X 2-1/4
104	792006		WASHER LOCK 1/4
105	780153		WASHER
106	786144		SLEEVE
107	780152		BEARING NEEDLE
108	780150		BEARING NEEDLE
109	792001		"O" RING
110	786142		SLEEVE STEPPED
111	788071		RING SQ CUT
112	780168		BEARING NEEDLE CAPPED
113	786143		SLEEVE STEPPED
114	780151		BEARING NEEDLE CAPPED
115	786145		SLEEVE STEPPED
116	788070		RING SQ CUT
117	780031		BEARING NEEDLE
150	510334		GASKET ELIMINATOR

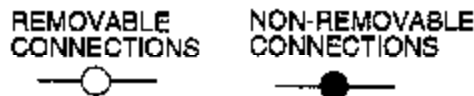
18 HP 44" TRACTOR - - MODEL NUMBER CT1844F

SCHEMATIC



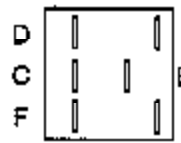
IGNITION SWITCH

POSITION	CIRCUIT
OFF	M + G
ON	B + L
START	B + S



WIRING INSULATED CLIPS

NOTE: IF WIRING INSULATED CLIPS WERE REMOVED FOR SERVICING OF UNIT, THEY SHOULD BE REPLACED TO PROPERLY SECURE YOUR WIRING

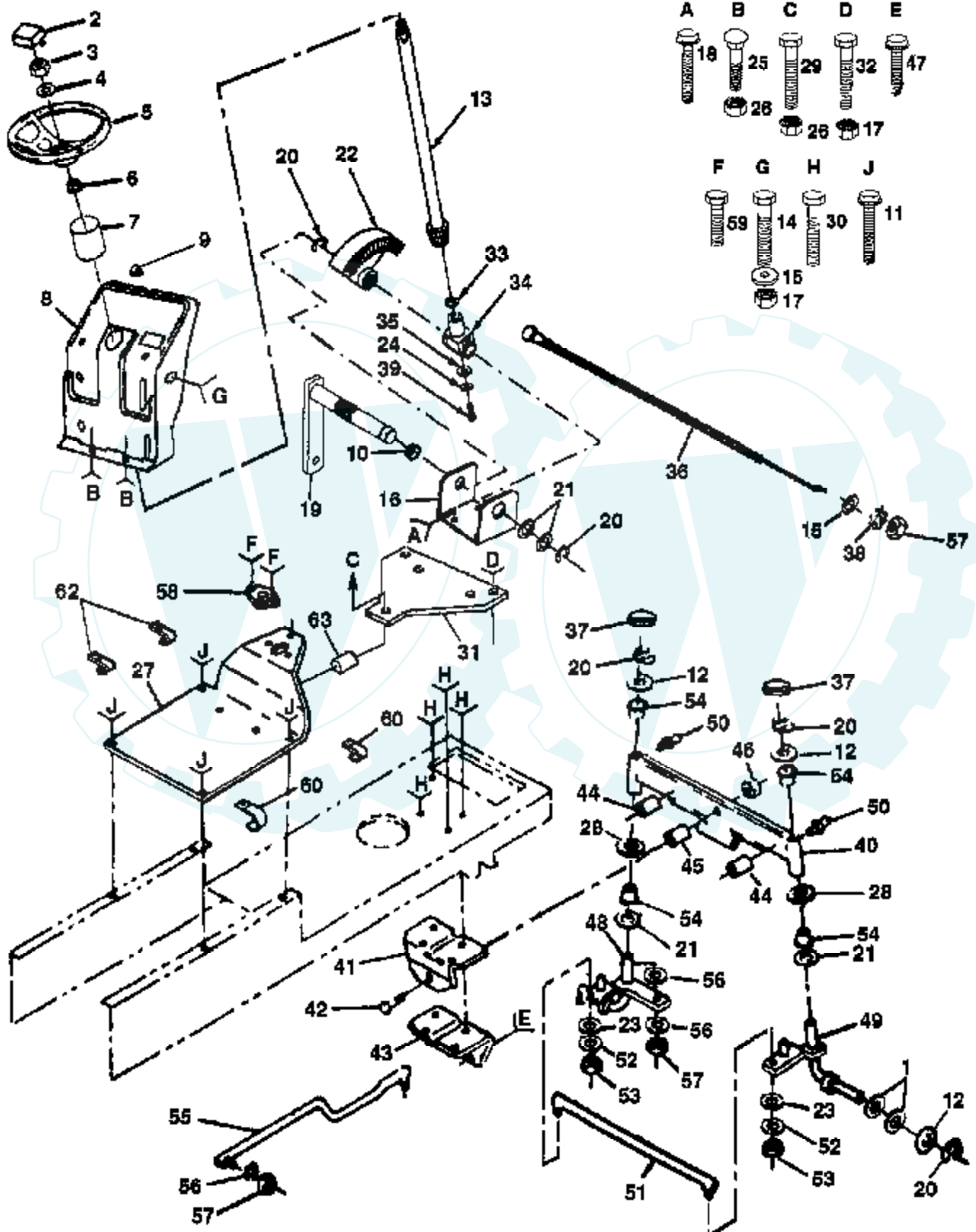


PTO SWITCH

POSITION	CIRCUIT
OFF	B + E, C + D
ON	B + A, C + F

18 HP 44" TRACTOR - - MODEL NUMBER CT1844F

STEERING ASSEMBLY



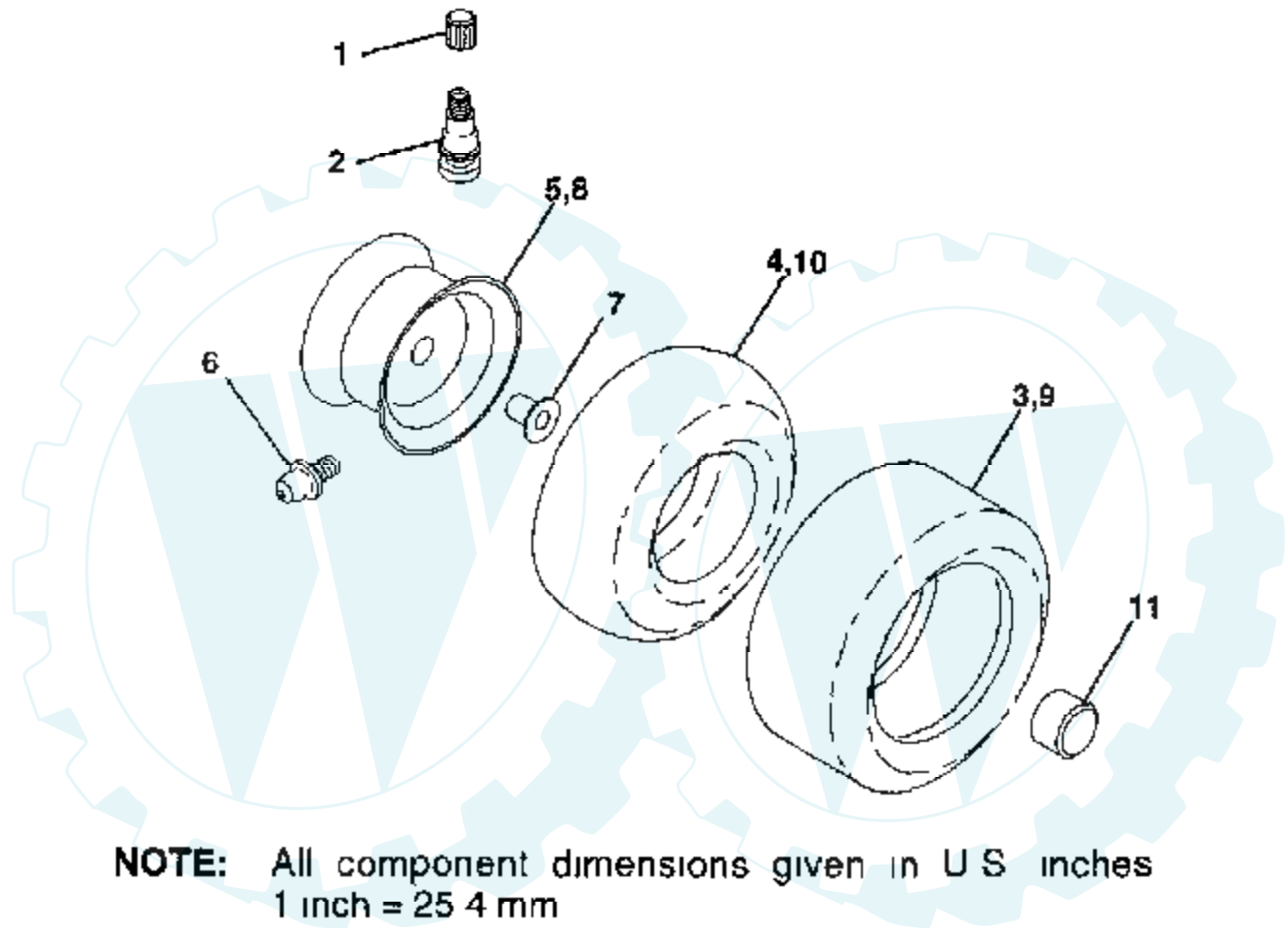
Ref #	Part Number	Qty	Description
1	121749X		WASHER
2	133742		ST WHL INSERT CAP
3	73940800		SUB= 73360800
4	100712K		WASHER
5	133741		SUB= 150547
6	100711L		ADAPTER LT
7	100714L		SLEEVE LTV
8	122341X		DASH
9	8022J		PLUG-DASH T
10	109816X		NYLINER T
11	17490608		SCREW LT
12	121748X		WASHER
13	128755		SHAFT&GEAR STR T
14	74760612		SUB= 74780612
15	19131316		WASHER
16	124036X		"BRKT,STEERING"
17	73680600		SUB= 73690600
18	17490612		SCREW
19	127501		SUB= 918127501
20	12000029		RING
21	6266H		WASHER .T
22	136874		GEAR SECTOR
23	19111216		WASHER M
24	10040400		LOCKWASHER
25	74180512		SCREW
26	73680500		SUB= 73690500
27	123783X016		SADDLE.YT.GOOSE N
28	19272016		WASHER
29	74760532		BOLT
30	122819X		SCREW SPECIAL
31	137654		SUB= 140181
32	74760612		SUB= 74780612
33	57079		THRUST WASHER
34	124035X		SUPPORT.SHAFT
35	126684X		SUB= 532126684
36	132779		CHOKE CONTROL
37	121232X		CAP
38	11050600		LOCKWASHER
39	71070410		"SCREW,SPECIAL"
40	108075X		FRONT AXLE
41	105663X		SUPPORT-SADDL T
42	74761060		BOLT LT
43	105664X		SUPPORT.SADDLE.FT
44	132624		AXLE PIN
45	110438X		BEARING
46	73901000		"NUT-LOC,FLANGE LT"
47	17490508		SCREW LT
48	135227		SPINDLE LH
49	135228		SPINDLE RH
50	6855M		ZERK M
51	130467		TIE ROD
52	10040500		LOCKWASHER
53	73810500		NUT.LOCK.5/16-24
54	3366R		COL. SRTG. BEAR.
55	130468		SUB= 532130468
56	10040600		LOCKWASHER
57	73610600		SUB= 7810H
58	1554J		SUB= 155108

Ref #	Part Number	Qty	Description
59	17431008		SUB= 98000165
60	2751R		CLIP T
62	126471X		"CLIP,INSULATOR"
63	121236X		SPACER



18 HP 44" TRACTOR - - MODEL NUMBER CT1844F

WHEELS AND TIRES



Ref #	Part Number	Qty	Description
1	59192		VALVE CAP
2	65139		VALVE STEM LT
3	106222X		SUB= 122073X
4	59904		TUBE.5.3/4.5/6
5	106732X311		SUB= 106732X427
6	278H		FITTING LT
7	9040H		"FLANGE, BEARING"
8	108457X311		RIM
9	124106X		SUB= 138756
10	7152J		TUBE.18X9.5-8
11	104757X		HUB CAP

