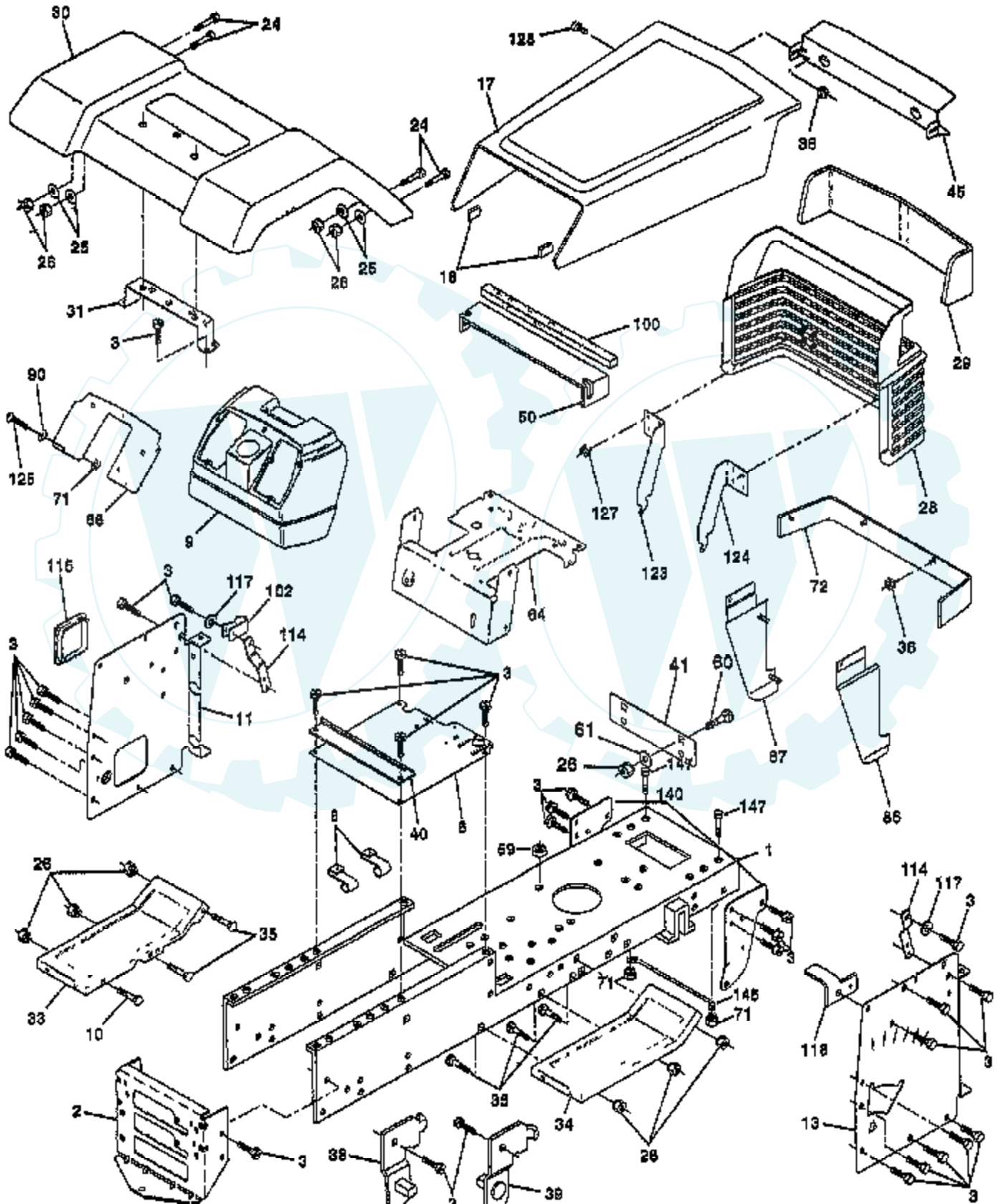


TRACTOR -- MODEL NUMBER CT14542D

CHASSIS

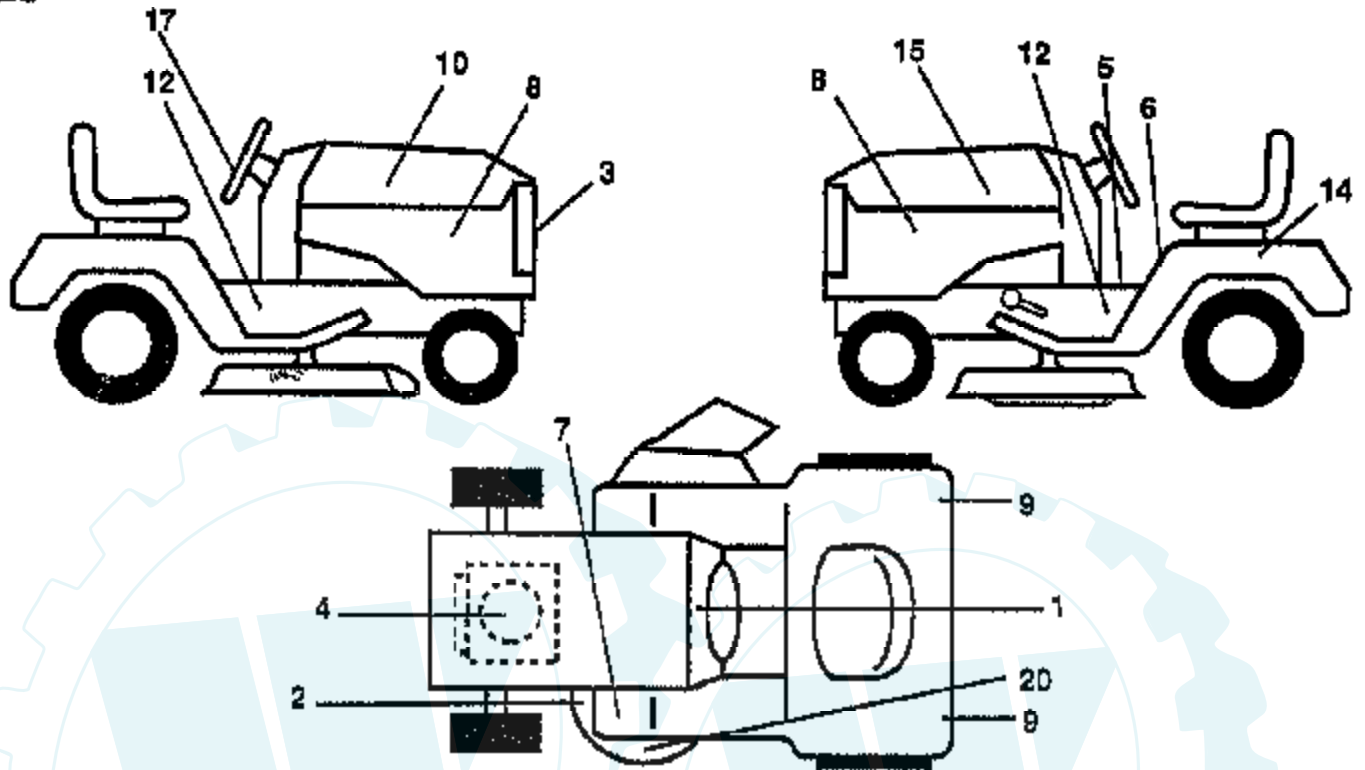




| Ref # | Part Number | Qty | Description |
|-------|-------------|-----|---------------------|
| 1 | 159530 | | CHASSIS ASM |
| 2 | 140356 | | SUB= 145009 |
| 3 | 17490612 | | SCREW |
| 6 | 155923 | | SADDLE |
| 8 | 126471X | | "CLIP,INSULATOR" |
| 9 | 145203 | | DASH.PLASTIC.BLK |
| 10 | 72140608 | | SUB= 72110608 |
| 11 | 145218 | | PANEL.DASH.LH. |
| 13 | 145217 | | PANEL.DASH.RH. |
| 17 | 123801X550 | | HOOD/GRILLE ASM |
| 18 | 126938X | | SUB= 532126938 |
| 24 | 74780616 | | BOLT |
| 25 | 19131312 | | WASHER |
| 26 | 73800600 | | NUT |
| 28 | 140671 | | GRILLE ASM WELD |
| 29 | 110898X | | LENS T |
| 30 | 147310X550 | | FENDER |
| 31 | 139976 | | BRACKET SUPT FEND |
| 33 | 105476X550 | | FOOTREST.LH.PERF. |
| 34 | 105475X550 | | FOOTREST.RH.PERF. |
| 35 | 72110606 | | BOLT |
| 36 | 108067X | | PAL NUT LT |
| 38 | 139886 | | BRACKET ASM LH |
| 39 | 139887 | | BRACKET ASM RH |
| 40 | 139977 | | SPACER FENDER LT |
| 45 | 132257 | | SUB= 918132257 |
| 50 | 124046X | | "BAFFLE,HOOD" |
| 59 | 110436X | | SUB= 9151R |
| 64 | 150272 | | DASH.LOWER.LT |
| 66 | 156277X011 | | PLATE SLKSCR.OM |
| 71 | 73680400 | | SUB= 73690400 |
| 72 | 110350X550 | | STRAP FENDER ASM |
| 86 | 123764X550 | | PANEL SIDE RH ASM |
| 87 | 123765X550 | | PANEL SIDE LH ASM |
| 90 | 19091216 | | WASHER PM |
| 100 | 109458X | | FOAM STRIP T |
| 102 | 2751R | | CLIP T |
| 114 | 145349 | | BRACKET.SUPT.DASH |
| 115 | 121794X | | COVER ACCESS |
| 117 | 144283 | | WASHER.SERRATED. |
| 118 | 145595 | | BRACKET.CLUTCH.MC |
| 123 | 149037 | | BRACKET.PICK.LH. |
| 124 | 149036 | | BRACKET.PICK.RH. |
| 125 | 74180412 | | SCREW |
| 127 | 120579X | | PAL NUT |
| 128 | 124201X | | SCREW SPECIAL |
| 140 | 158418 | | BRKT SUSPENSION |
| 145 | 156524 | | "ROD POVOT,CHASSIS" |
| 147 | 74760412 | | BOLT LT |
| | 5479J | | PLUG BUTTON T |

TRACTOR -- MODEL NUMBER CT14542D

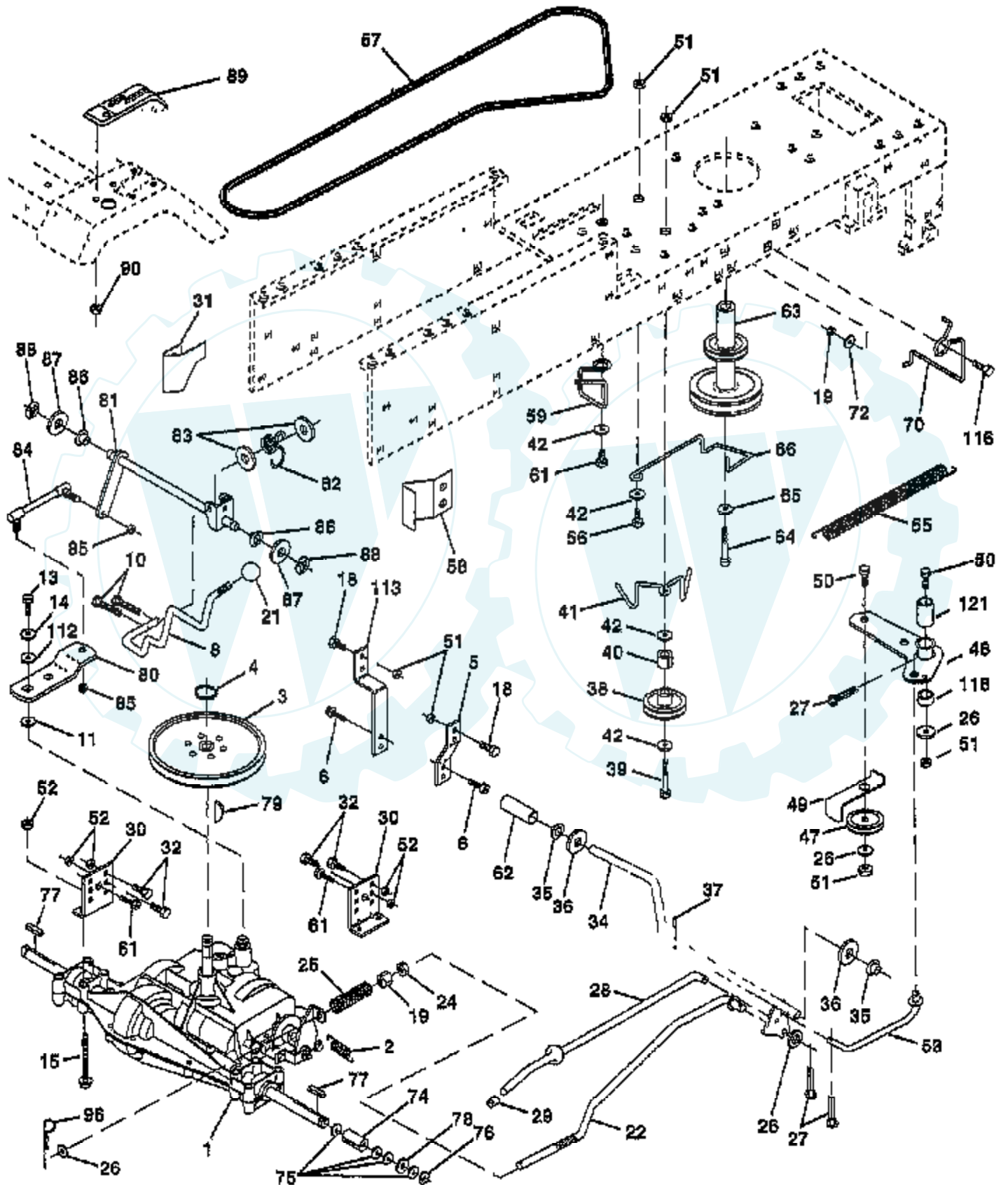
DECALS



| Ref # | Part Number | Qty | Description |
|-------|-------------|-----|-----------------------|
| 1 | 156834 | | "DECAL-OPER,GEAR D" |
| 2 | 136832 | | DECAL |
| 3 | 158889 | | DECAL GRILLE |
| 4 | 272991 | | DECAL, ENGINE |
| 5 | 140837 | | DECAL BRAK PARK |
| 6 | 157002 | | "DECAL DANGER,FEND" |
| 7 | 4900J | | DECAL T |
| 8 | 159287 | | DECAL SIDE PANEL |
| 9 | 106202X | | REFLECTOR-TAIL YT |
| 10 | 159284 | | DECAL HOOD RH |
| 12 | 159253 | | "DECAL CHASSIS 42"" |
| 14 | 145005 | | DECAL.BATRY.3-3908 |
| 15 | 159285 | | DECAL HOOD LH |
| 17 | 158887 | | DECAL INST STG WH |
| 20 | 134999 | | "DECAL,ENVIRO DECK" |
| | 138311 | | DECAL HANDLE LIFT |
| | 158124 | | MANUAL.GENERIC.42 |
| | 160220 | | MANUAL.P.CT14542D |
| | C42 | | GRASS CATCHER |
| | LC05 | | WHEEL WTS. |
| | MK420 | | MULCHING KIT W/BLADES |
| | LSB42 | | SNOW THROWER |
| | LBD48 | | SNOW BLADE |
| | LC06 | | TIRE CHAINS |

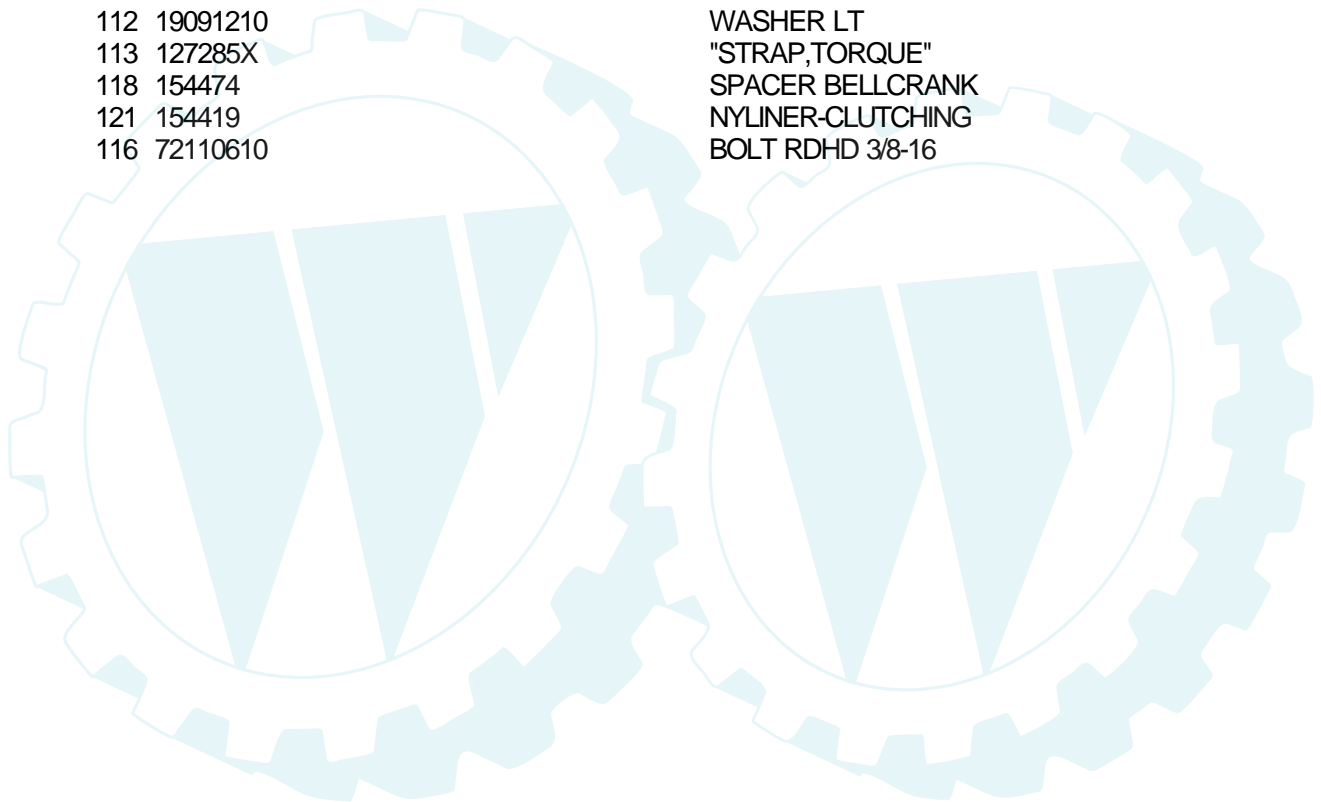
TRACTOR -- MODEL NUMBER CT14542D

DRIVE



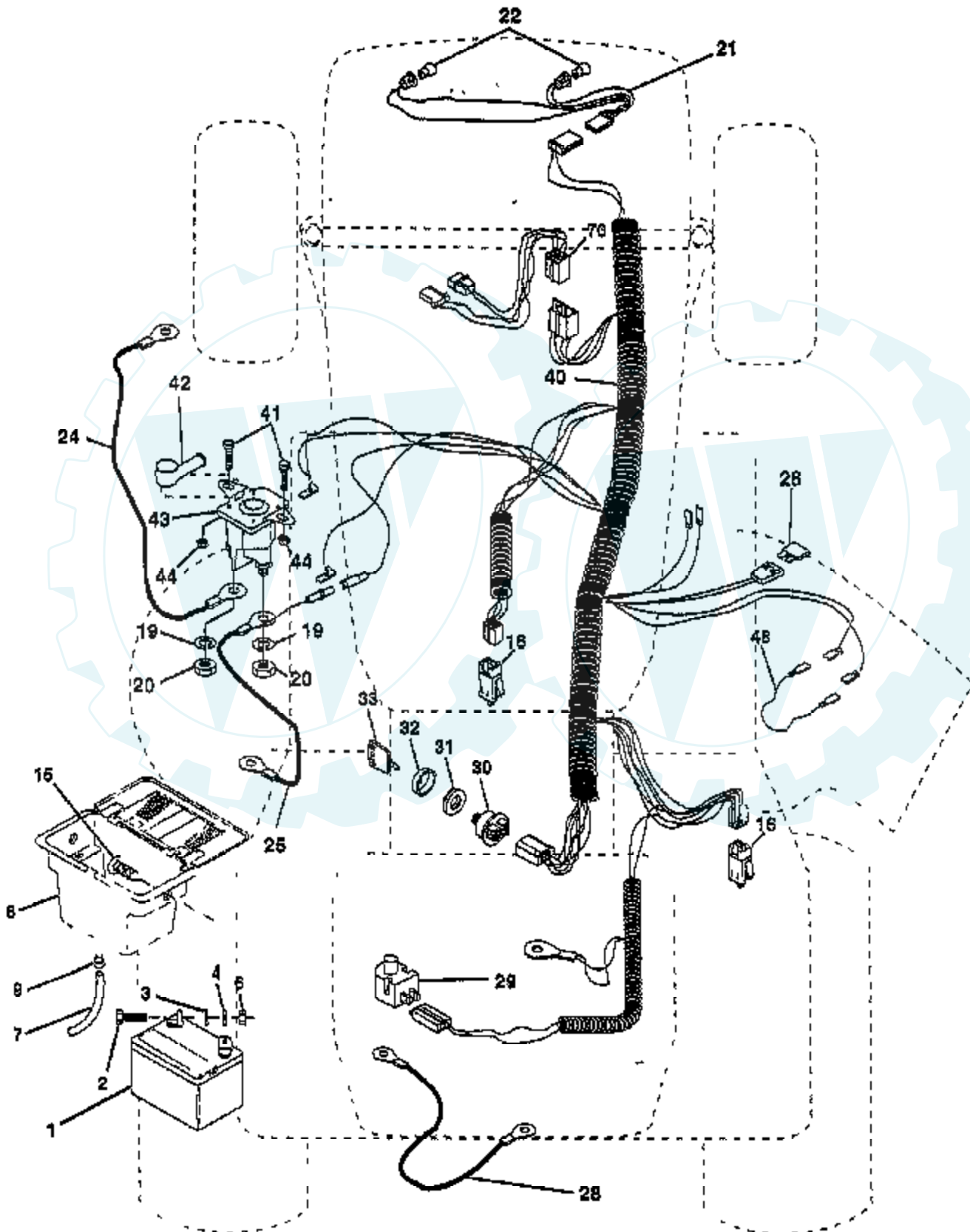
| Ref # | Part Number | Qty | Description |
|-------|-------------|-----|---------------------|
| 1 | P930-055A | | TRANSAXLE PEERLESS |
| 2 | 146682 | | SPRING.BRAKE.RETU |
| 3 | 123666X | | PULLEY TRANS |
| 4 | 12000028 | | SUB= 2267J |
| 5 | | | CHECK WITH SUPPLIER |
| 6 | 17490512 | | SCREW |
| 8 | 141003 | | ROD SHIFT FEND LT |
| 10 | 76020416 | | PIN COTTER 1/8 |
| 11 | 105701X | | WASH-SHFT PLT LT |
| 13 | 74550412 | | BOLT.1/4-28.W/PAT |
| 14 | 10040400 | | LOCKWASHER |
| 15 | 74490544 | | BOLT.HX.FLG.5/16 |
| 18 | 74780616 | | BOLT |
| 19 | 73800600 | | NUT |
| 21 | 106933X | | KNOB T (1/2-HOLE) |
| 22 | 130804 | | BRAKE ROD |
| 24 | 73350600 | | NUT |
| 25 | 106888X | | SPRING ROD LT |
| 26 | 19131316 | | WASHER |
| 27 | 76020412 | | COTTER PIN |
| 28 | 145204 | | ROD.BRAKE.PARK.LT |
| 29 | 71673 | | PLUNGER CAP T |
| 30 | 130807 | | TRANSAXLE MTG BKT |
| 31 | 127275X | | "KEEPER,BELT LH T" |
| 32 | 74760512 | | BOLT |
| 34 | 155071 | | SHAFT ASM-PEDAL F |
| 35 | 120183X | | NYLON BEARING |
| 36 | 19211616 | | WASHER LT |
| 37 | 1572H | | SUB= 2882J |
| 38 | 123674X | | PULLEY.IDLER.FLAT |
| 39 | 74760644 | | BOLT |
| 40 | 4470J | | SPACER T |
| 41 | 154777 | | SUB= 165692 |
| 42 | 19131312 | | WASHER |
| 47 | 127783 | | SUB= 139245 |
| 48 | 154604 | | BELLCRANK ASM |
| 49 | 123205X | | RETAIN BELT |
| 50 | 74760624 | | SUB= 74930624 |
| 51 | 73680600 | | SUB= 73690600 |
| 52 | 73800500 | | NUT |
| 53 | 105710X | | "LINK, CLUTCH T" |
| 55 | 105709X | | "SPRING, RETURN LT" |
| 56 | 74760620 | | SUB= 74780620 |
| 57 | 130801 | | SUB= 138255 |
| 58 | 127274X | | "KEEPER,BELT RH T" |
| 59 | 140312 | | KEEPER BELT CNTSP |
| 61 | 17490612 | | SCREW |
| 62 | 8883R | | PEDAL COVER T |
| 63 | 140186 | | PULLEY.ENGINE |
| 64 | 71170764 | | BOLT |
| 65 | 10040700 | | LOCKWASHER |
| 66 | 154778 | | KEEPER-BELT |
| 70 | 134683 | | KEEPER BELT ENG |
| 72 | 19132012 | | WASHER |
| 74 | 137057X | | SPACER, AXLE |
| 75 | 121749X | | WASHER |
| 76 | 12000001 | | E-RING LT |
| 77 | 123583X | | SQUARE KEY |

| Ref # | Part Number | Qty | Description |
|-------|-------------|-----|----------------------|
| 78 | 121748X | | WASHER |
| 79 | 2228M | | SUB= 2228M1 |
| 80 | 145090 | | "ARM.SHIFT.20""TIRE" |
| 81 | 156049 | | SHAFT.CROS.P930. |
| 82 | 123782X | | "SPRING,TORSION" |
| 83 | 19171216 | | WASHER |
| 84 | 145643 | | "ROD.TIE.20""P930LT" |
| 85 | 150360 | | NUT.CNT.LOCK.1/4 |
| 86 | 71208 | | BUSHING |
| 87 | 19212016 | | WASHER D |
| 88 | 12000008 | | KLIP RING |
| 89 | 139964 | | SUB= 918139964 |
| 90 | 124346X | | NUT |
| 96 | 4497H | | RETAINER M |
| 112 | 19091210 | | WASHER LT |
| 113 | 127285X | | "STRAP,TORQUE" |
| 118 | 154474 | | SPACER BELLCRANK |
| 121 | 154419 | | NYLINER-CLUTCHING |
| 116 | 72110610 | | BOLT RDHD 3/8-16 |



TRACTOR -- MODEL NUMBER CT14542D

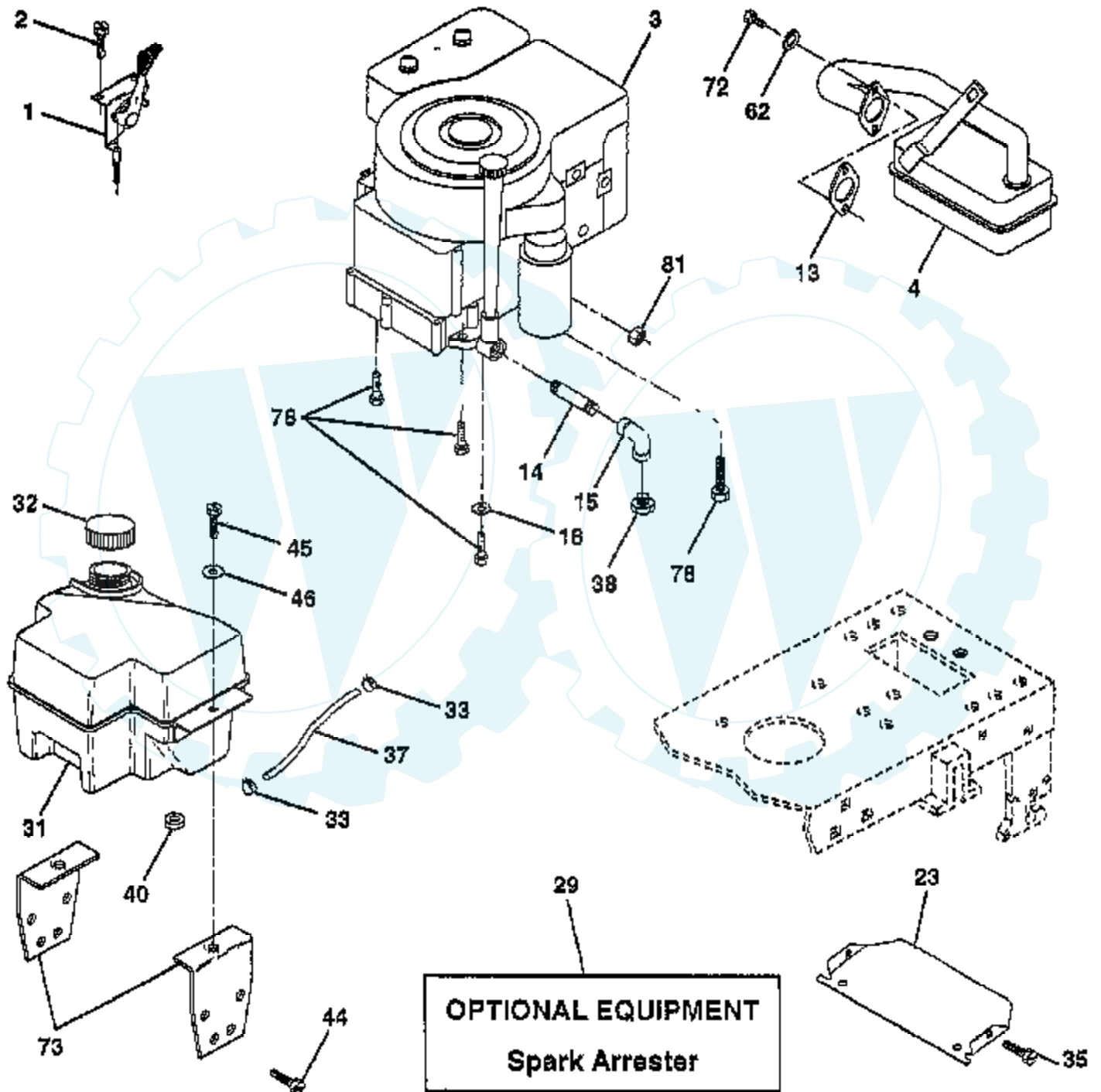
ELECTRICAL



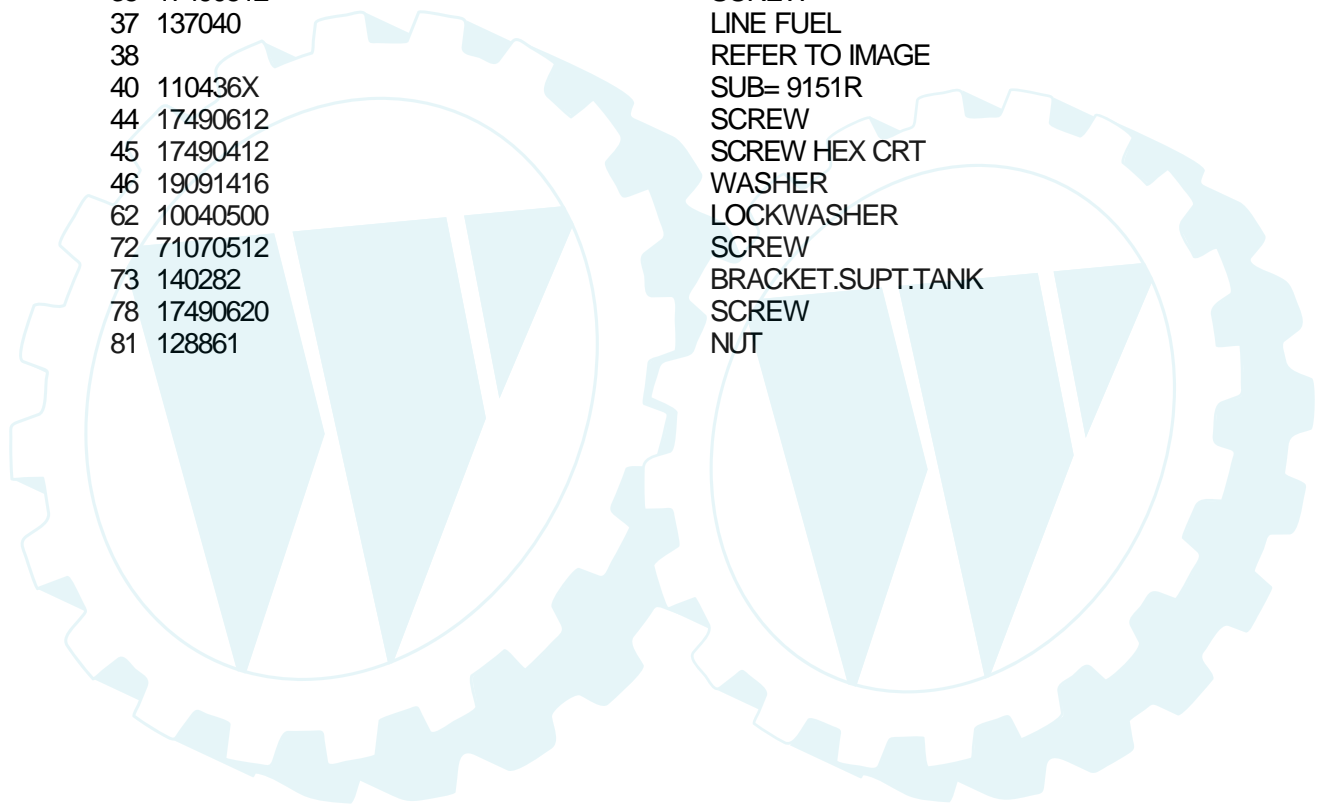
| Ref # | Part Number | Qty | Description |
|-------|-------------|-----|---------------------|
| 1 | 144925 | | SUB= 123899X |
| 2 | 74760412 | | BOLT LT |
| 3 | 19091016 | | WASHER |
| 4 | 10040400 | | LOCKWASHER |
| 6 | 73220400 | | SUB= 50675 |
| 7 | 109238X | | TUBE T |
| 8 | 156417 | | "CASE,BATTERY.MECH" |
| 9 | 109596X | | HOSE CLAMP T |
| 15 | 147688 | | FASTNER.SNAP-IN |
| 16 | 153664 | | SWITCH INTERLOCK |
| 19 | 10090400 | | SUB= 10040400 |
| 20 | 73350400 | | NUT |
| 21 | 136850 | | "HARNES,LIGHT SOC" |
| 22 | 4152J | | HEADLAMP BULB |
| 24 | 146136 | | CABLE.BTRY.6GA.RD |
| 25 | 148009 | | CABLE.BTRY.6GA.38 |
| 26 | 108824X | | FUSE HYT |
| 28 | 4207J | | CABLE T |
| 29 | 121305X | | SWITCH SEAT |
| 30 | 140301 | | SWITCH IGN 4POS |
| 31 | 124211X | | NUT IGNITION |
| 32 | 141226 | | COVER KEY SWITCH |
| 33 | 122147X | | KEY |
| 40 | 156149 | | HARNES IGNITION |
| 41 | 71110408 | | BOLT HXHD FIN |
| 42 | 131563 | | SUB= 154336 |
| 43 | 145673 | | SUB= 146154 |
| 44 | 73640400 | | NUT HXKEP 1/4X20 |
| 48 | 140844 | | ADAPTER AMMETER |
| 70 | 140422 | | HARNES.ENG.DUAL |

TRACTOR - - MODEL NUMBER CT14542D

ENGINE



| Ref # | Part Number | Qty | Description |
|-------|-------------|-----|--------------------------------|
| 1 | 143893 | | CONTROL.THTL.19.6 |
| 2 | 17720410 | | SCREW LT |
| 3 | ENGINE B&S | | ENGINE B&S |
| 4 | 137352 | | MUFFLER |
| 13 | 272293 | | GASKET ENG 1 313 LD TIN PLATED |
| 14 | 13280324 | | PIPE NIPPLE |
| 15 | 13200300 | | ELBOW |
| 16 | 11050600 | | LOCKWASHER |
| 23 | 156123 | | SHIELD-HEAT |
| 29 | 137180 | | SUB= 532137180 |
| 31 | 140280 | | SUB= 161911 |
| 32 | 140527 | | CAP ASM FUEL |
| 33 | 123487X | | HOSE CLAMP |
| 35 | 17490512 | | SCREW |
| 37 | 137040 | | LINE FUEL |
| 38 | | | REFER TO IMAGE |
| 40 | 110436X | | SUB= 9151R |
| 44 | 17490612 | | SCREW |
| 45 | 17490412 | | SCREW HEX CRT |
| 46 | 19091416 | | WASHER |
| 62 | 10040500 | | LOCKWASHER |
| 72 | 71070512 | | SCREW |
| 73 | 140282 | | BRACKET.SUPT.TANK |
| 78 | 17490620 | | SCREW |
| 81 | 128861 | | NUT |

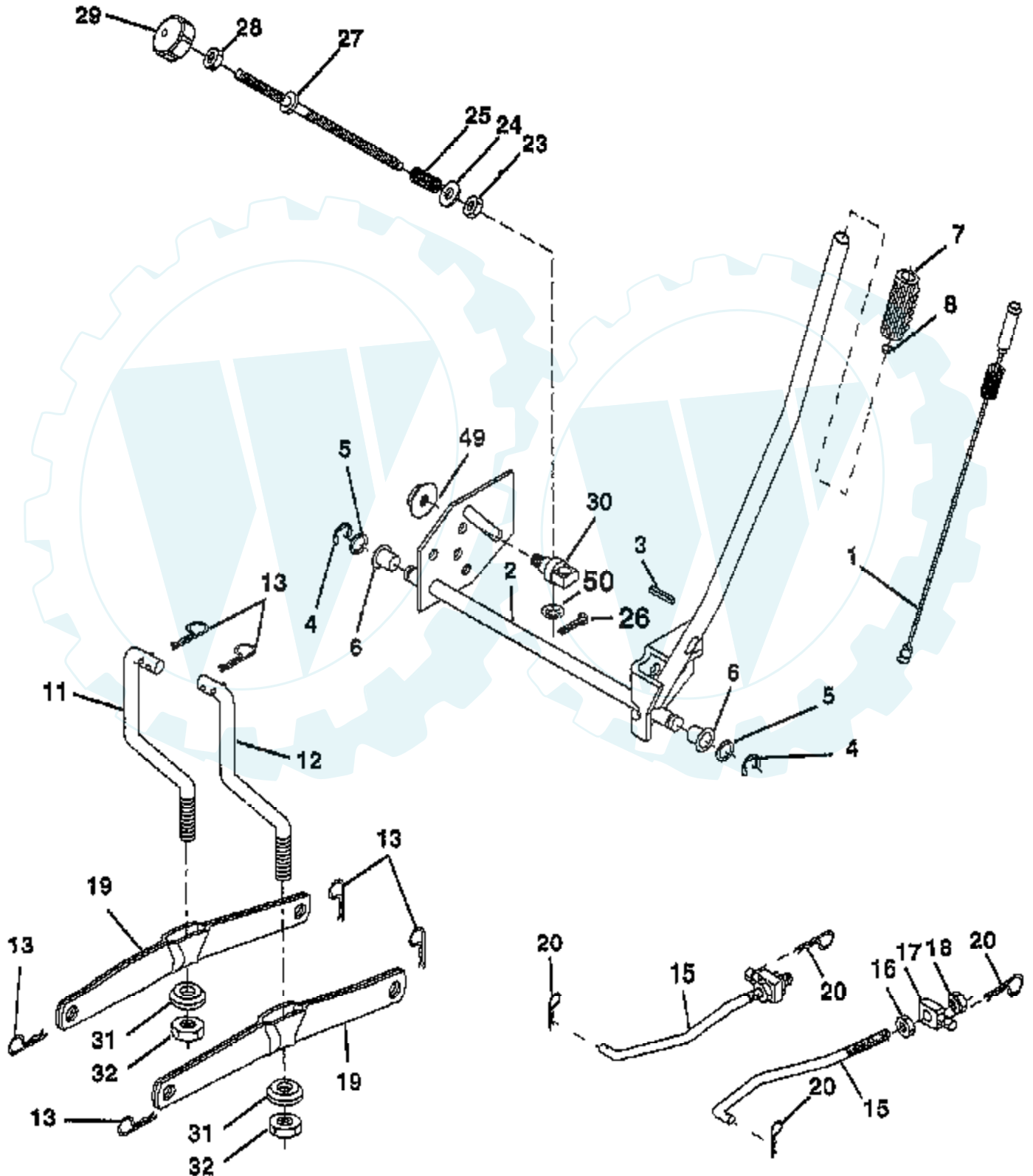


| Ref # | Part Number | Qty | Description |
|-------|-------------|-----|---------------------|
| 1 | 144393 | | DECK.WELD.42. |
| 2 | 72140506 | | BOLT |
| 3 | 138017 | | BRKT ASM SWAY BAR |
| 4 | 138440 | | BRKT DECK SW BAR |
| 5 | 4939M | | SUB= 85902 |
| 6 | 130832 | | SUB= 130833 |
| 8 | 850857 | | BLADE BOLT |
| 9 | 10030600 | | SUB= 10040600 |
| 10 | 140296 | | WASHER.HARD.BLADE |
| 11 | 138498 | | "BLADE.42"" HIPERF" |
| 12 | 129895 | | BEARING.BALL |
| 13 | 137645 | | SUB= 137646 |
| 14 | 128774 | | HSG ASM MANDREL |
| 15 | 110485X | | BEARING |
| 16 | 140329 | | STRIPPER RND MWR |
| 17 | 72110610 | | BOLT RDHD 3/8-16 |
| 18 | 72140505 | | BOLT |
| 19 | 132827 | | BOLT SHD 5/16-18 |
| 20 | 136888 | | SUB= 918136888 |
| 21 | 73680500 | | SUB= 73690500 |
| 22 | 134753 | | STIFFENER BRKT |
| 23 | 131267 | | DEFLECTOR BRKT |
| 24 | 105304X | | CAP-SLEEVE LT |
| 25 | 123713X | | SPRING TORSION |
| 26 | 110452X | | NUT PUSH M |
| 27 | 130968 | | DEFLECTOR.SHIELD |
| 28 | 19111016 | | WASHER |
| 29 | 131491 | | HINGE ROD |
| 30 | 138776 | | SUB= 157722 |
| 31 | 129963 | | WASHER |
| 32 | 153535 | | PULLEY.MANDREL.42 |
| 33 | 137266 | | SUB= 139729 |
| 34 | 72110614 | | BOLT |
| 35 | 133835 | | XMAS TREE FASTNER |
| 36 | 131494 | | FLAT IDLER PULLEY |
| 37 | 19131316 | | WASHER |
| 40 | 73680600 | | SUB= 73690600 |
| 41 | 133551 | | PIVOT ROD |
| 43 | 140083 | | ROD CLUTCH W/NIBS |
| 44 | 140088 | | GUARD MAND LH BLK |
| 45 | 4497H | | RETAINER M |
| 46 | 137729 | | SCREW.1/4-20X5/8 |
| 48 | 133944 | | HARD SMALL WASHER |
| 49 | 155066 | | ROLLER ASM-CAM |
| 50 | 131340 | | SHOULDER BOLT |
| 51 | 69180 | | LOCKNUT |
| 52 | 139888 | | BOLT.SHLD.5/16-18 |
| 53 | 131845X900 | | SUB= 131845 |
| 54 | 133943 | | HARDENED WASHER |
| 55 | 155046 | | ARM-IDLER |
| 56 | 122052X | | SPACER RETAINER |
| 58 | 140086 | | SPRING TORSN BRAK |
| 59 | 141043 | | GUARD IDLER TUV |
| 68 | 144959 | | BELT-V.SEC.46.KEL |
| 71 | 142427 | | ROD CLUTCH 38/42 |
| 72 | 146927 | | SPRING.EXT.RETURN |
| 73 | 127847 | | CLUTCH ARM SECOND |
| 74 | 121748X | | WASHER |

| Ref # | Part Number | Qty | Description |
|-------|-------------|-----|-------------------|
| 75 | 12000029 | | RING |
| 76 | 128903 | | SHOULDER BOLT |
| 77 | 127845 | | SPRING KEEPER |
| 78 | 154808 | | LEVER ASM CLUTCH |
| 79 | 127498 | | BUSHING |
| 80 | 153701 | | SPRING.CLUTCH.MWR |
| 81 | 73350600 | | NUT |
| 82 | 142028 | | TRUNION ADJ |
| 84 | 158824 | | BRACKET ASM IDLER |
| 90 | 74760616 | | BOLT |
| 91 | 132274 | | SUB= 532132274 |
| 92 | 73800600 | | NUT |
| 93 | 19171416 | | WASHER |
| 94 | 132264 | | SUB= 532132264 |
| 95 | 132273 | | SUB= 532132273 |
| 111 | 155197 | | BRACKET.GWHL.LH. |
| 112 | 155198 | | BRACKET.GWHL.RH. |
| 113 | 17490512 | | SCREW |
| 114 | 73510500 | | NUT |
| 115 | 72110504 | | SUB= 872110504 |
| 116 | 146851 | | BOLT.SHOULDER |
| 117 | 146850 | | WHEEL.GUAGE.MED. |
| 118 | 73930600 | | LOCKNUT |
| 119 | 19121414 | | WASHER |
| 121 | 143723 | | BRACKET.EXTRD.GWL |
| 128 | 153390 | | WASHER.FELT. |
| 132 | 19132203 | | WASHER GT |
| | 130794 | | MANDREL ASM |
| | 159469 | | SUB= 144783 |

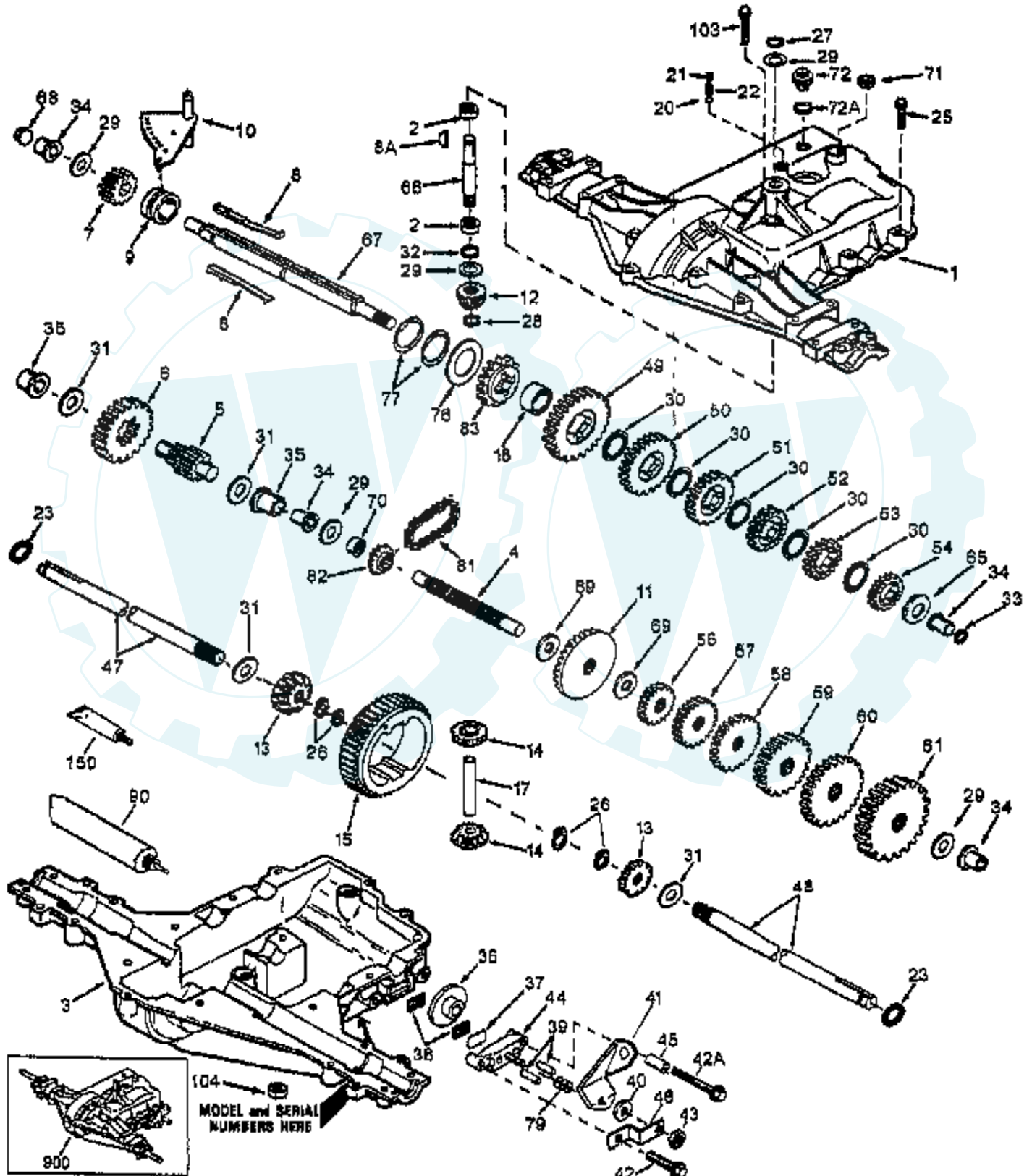
TRACTOR -- MODEL NUMBER CT14542D

MOWER LIFT



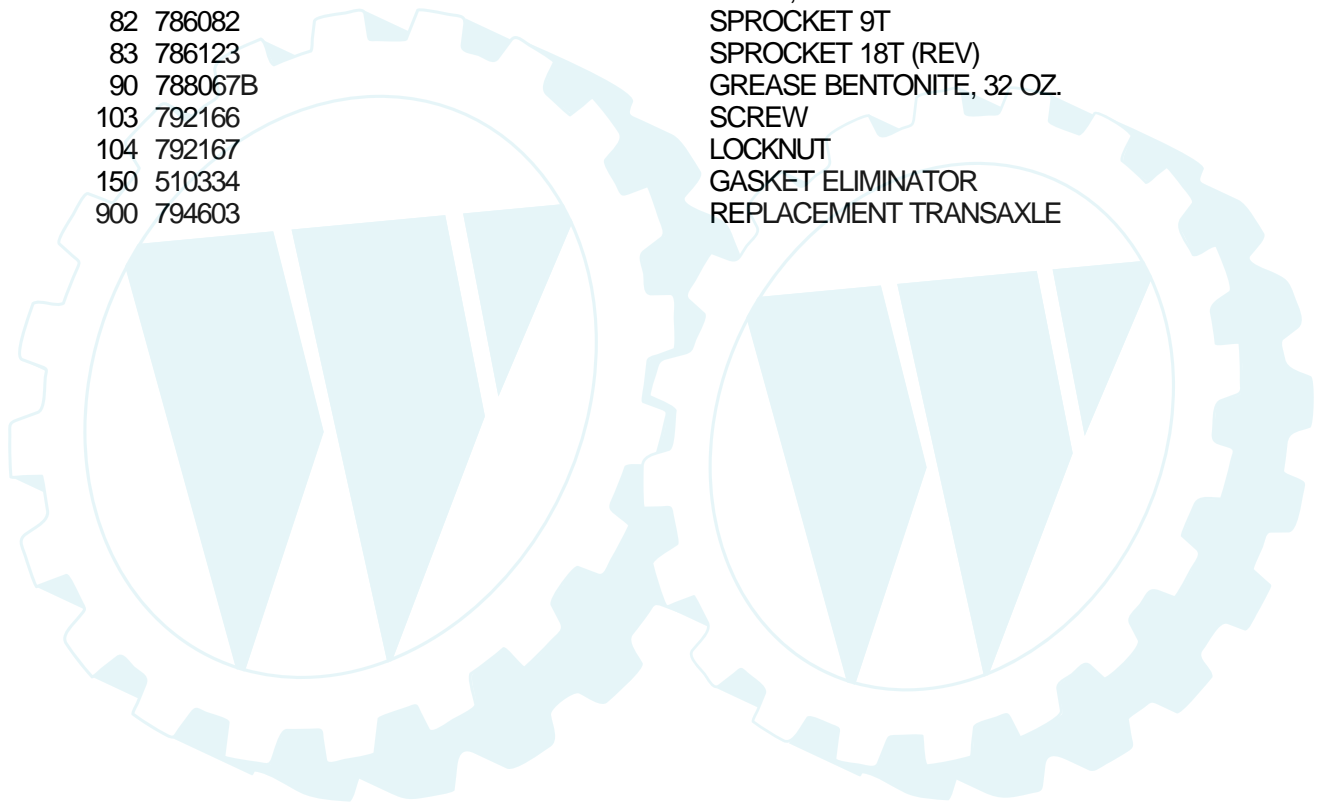
| Ref # | Part Number | Qty | Description |
|-------|-------------|-----|---------------------|
| 1 | 159461 | | WIRE.ASM.INNER.SP |
| 2 | 159476 | | "SHAFT AMS LIFT,RH" |
| 3 | 138284 | | PIN GROOVE |
| 4 | 12000002 | | SUB= 2225J |
| 5 | 19211621 | | WASHER |
| 6 | 120183X | | NYLON BEARING |
| 7 | 109413X | | GRIP |
| 8 | 124526X | | SUB= 125925X |
| 10 | 122512X | | SUB= 532122512 |
| 11 | 139865 | | SUB= 918139865 |
| 12 | 139866 | | SUB= 151140 |
| 13 | 4939M | | SUB= 85902 |
| 15 | 127218 | | LINK.FRONT |
| 16 | 73350800 | | NUT |
| 17 | 130171 | | TRUNION |
| 18 | 73800800 | | NUT.LK.W/WSH.1/2. |
| 19 | 139868 | | ARM SUSP REAR |
| 20 | 3146R | | RETAINER.SPRING |
| 23 | 110807X | | NUT T |
| 24 | 19131016 | | WASHER |
| 25 | 137150 | | SPRING.COMP.INF.H |
| 26 | 76020308 | | SUB= 3145 |
| 27 | 137167 | | ROD.ADJ.LIFT |
| 28 | 73350600 | | NUT |
| 29 | 138057 | | KNOB INF 3/8-16 |
| 30 | 150233 | | TRUNNION |
| 31 | 140302 | | BEARING PVT LH |
| 32 | 73540600 | | NUT.CROWNLOCK.3/8 |
| 49 | 145212 | | NUT.HXFLG.LOCK. |
| 50 | 110452X | | NUT PUSH M |

TRACTOR - - MODEL NUMBER CT14542D
PEERLESS TRANSAXLE - MODEL NUMBER P930-055A



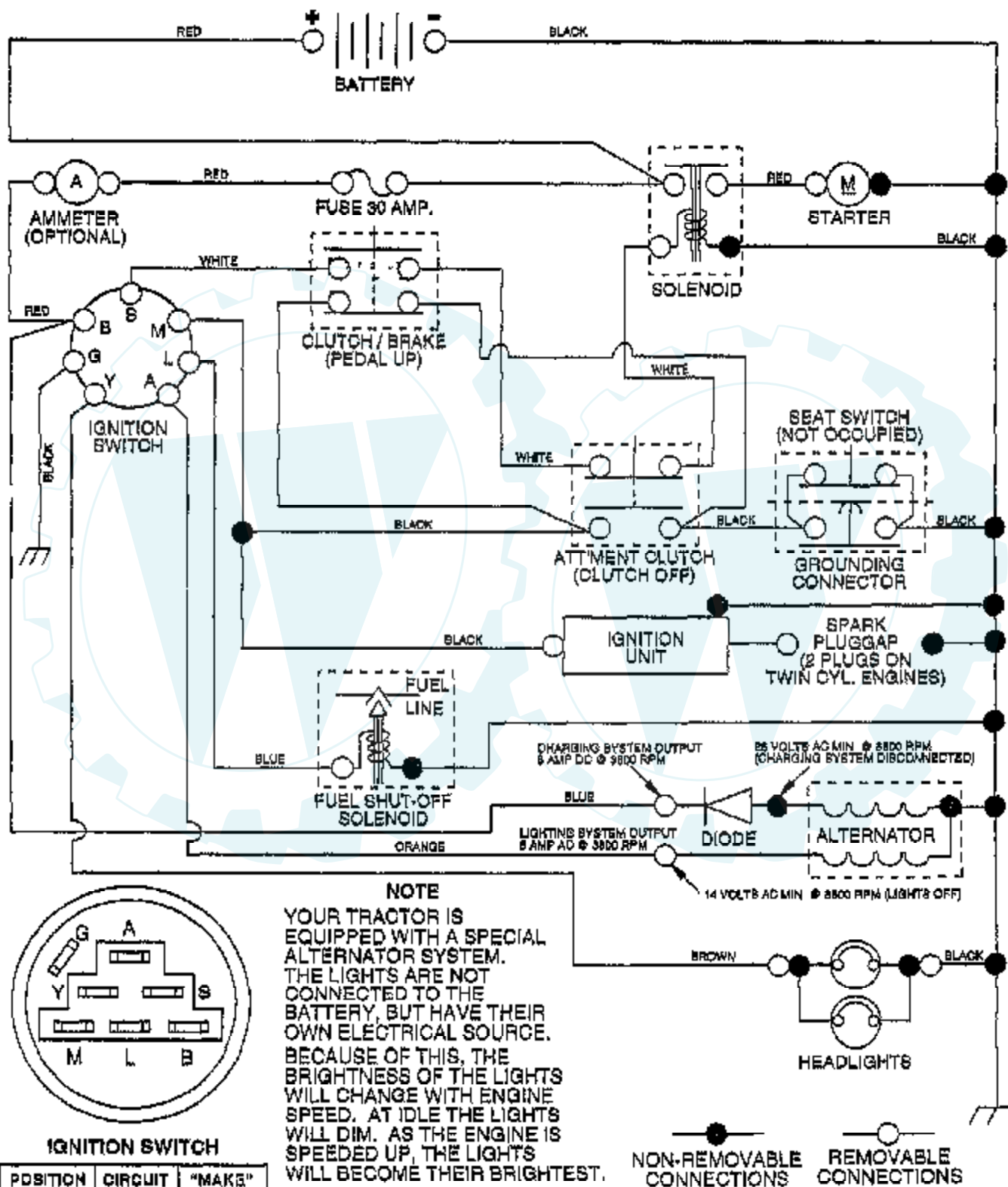
| Ref # | Part Number | Qty | Description |
|-------|-------------|-----|-------------------------|
| 1 | 772108A | | TRANSAXLE COVER |
| 2 | 780086 | | BEARING, NEEDLE |
| 3 | 770102A | | TRANSAXLE CASE |
| 4 | 776260 | | SHAFT, COUNTER |
| 5 | 776219B | | OUTPUT SHAFT AND PINION |
| 6 | 778139 | | GEAR, OUTPUT |
| 7 | 778136 | | GEAR, SPUR, 15 TEETH |
| 8 | 792136A | | SHIFT KEY |
| 8A | 792047 | | KEY, WOODRUFF |
| 9 | 784352 | | COLLAR, SHIFTER |
| 10 | 784355 | | ROD & FORK ASSY, SHIFT |
| 11 | 778229 | | GEAR, BEVEL, 42 TEETH |
| 12 | 778113A | | BEVEL PINION, INPUT |
| 13 | 778221 | | GEAR, BEVEL |
| 14 | 778068 | | GEAR, BEVEL, PINION |
| 15 | 778260 | | GEAR, RING |
| 17 | 786139 | | PIN, DRIVE |
| 18 | 786102 | | SPACER, NEUTRAL |
| 20 | 792077 | | BALL STEEL, 5/16" DIA. |
| 21 | 792078 | | SCREW, 3/8-16 X 3/8" |
| 22 | 792079 | | SPRING |
| 23 | 788061 | | RING, SEAL |
| 25 | 792073 | | SCREW, 1/4-20 X 1-1/4 |
| 26 | 792125 | | RING RETAINER |
| 27 | 792035 | | RING, RETAINER |
| 28 | 788040 | | RETAINING RING |
| 29 | 780072 | | WASHER THRUST |
| 30 | 780108 | | WASHER THRUST |
| 31 | 780001 | | WASHER |
| 32 | 792001 | | "O" RING |
| 33 | 788095 | | SEAL, SQUARE CUT |
| 34 | 780105A | | BUSHING, FLANGED |
| 35 | 780118A | | BUSHING, FLANGED |
| 36 | 790003 | | DISK, BRAKE |
| 37 | 790007 | | PLATE BRAKE PAD |
| 38 | 799021 | | BRAKE PAD |
| 39 | 786026 | | PIN DOWEL |
| 40 | 792076A | | WASHER |
| 41 | 790079 | | BRAKE LEVER |
| 42 | 792073 | | SCREW, 1/4-20 X 1-1/4 |
| 42A | 792085A | | SCREW, 1/4-20 X 2-1/4 |
| 43 | 792075 | | LOCKNUT 5/16-24 |
| 44 | 790025 | | HOLDER BRAKE PAD |
| 45 | 786066 | | SPACER |
| 46 | 786086 | | BRKT BRAKE LEVER |
| 47 | 774690 | | AXLE |
| 48 | 774691 | | AXLE |
| 49 | 778215 | | GEAR, SPUR, 37 TEETH |
| 50 | 778125 | | GEAR, SPUR, 35 TEETH |
| 51 | 778124A | | GEAR, SPUR, 30 TEETH |
| 52 | 778123A | | GEAR, SPUR, 25 TEETH |
| 53 | 778122A | | GEAR, SPUR, 22 TEETH |
| 54 | 778273 | | GEAR, SPUR, 19T |
| 56 | 778230 | | GEAR, SPUR, 12 TEETH |
| 57 | 778151 | | GEAR, SPUR, 15 TEETH |
| 58 | 778126A | | GEAR, SPUR, 20 TEETH |
| 59 | 778127A | | GEAR, SPUR, 25 TEETH |
| 60 | 778128A | | GEAR, SPUR, 28 TEETH |

| Ref # | Part Number | Qty | Description |
|-------|-------------|-----|--------------------------|
| 61 | 778163 | | GEAR, SPUR, 31 TEETH |
| 65 | 780109 | | WASHER, THRUST |
| 66 | 776135 | | SHAFT, INPUT |
| 67 | 776315A | | SHAFT, BRAKE, 4 KEYED |
| 68 | 786116A | | PLUG |
| 69 | 780051 | | WASHER THRUST |
| 70 | 786118 | | SPACER |
| 71 | 788069 | | SEAL SQUARE CUT |
| 72 | 792165 | | THREADED PLUG 9/16-18 |
| 72A | 788091 | | "O" RING |
| 76 | 780090 | | WASHER, THRUST |
| 77 | 788078A | | INVERTED RETAINING RING |
| 79 | 792144 | | SPRING |
| 81 | 786081 | | CHAIN, ROLLER |
| 82 | 786082 | | SPROCKET 9T |
| 83 | 786123 | | SPROCKET 18T (REV) |
| 90 | 788067B | | GREASE BENTONITE, 32 OZ. |
| 103 | 792166 | | SCREW |
| 104 | 792167 | | LOCKNUT |
| 150 | 510334 | | GASKET ELIMINATOR |
| 900 | 794603 | | REPLACEMENT TRANSAXLE |



TRACTOR - - MODEL NUMBER CT14542D

SCHEMATIC



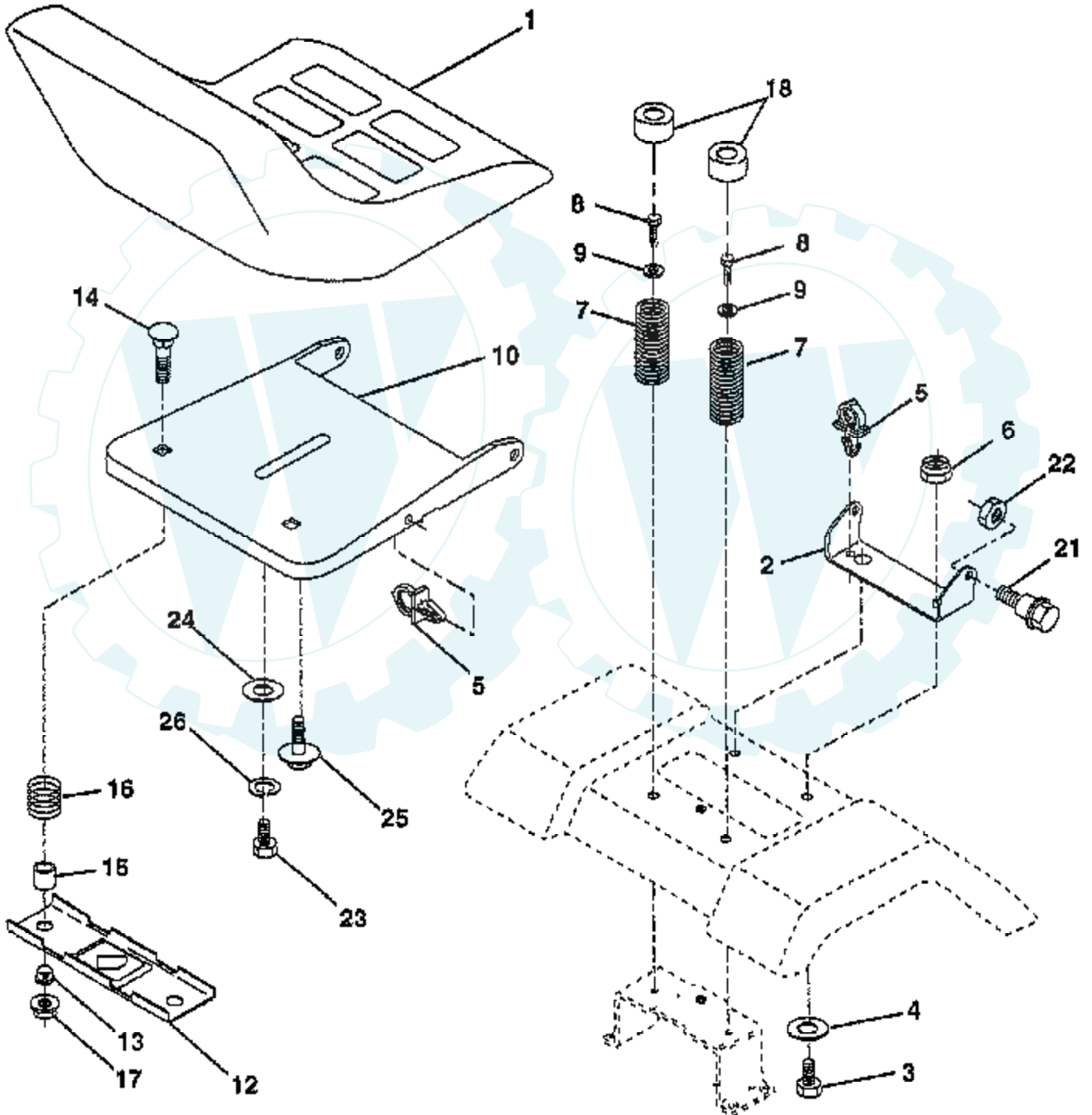
WIRING INSULATED CLIPS

NOTE: IF WIRING INSULATED CLIPS WERE REMOVED FOR SERVICING OF UNIT, THEY SHOULD BE REPLACED TO PROPERLY SECURE YOUR WIRING.

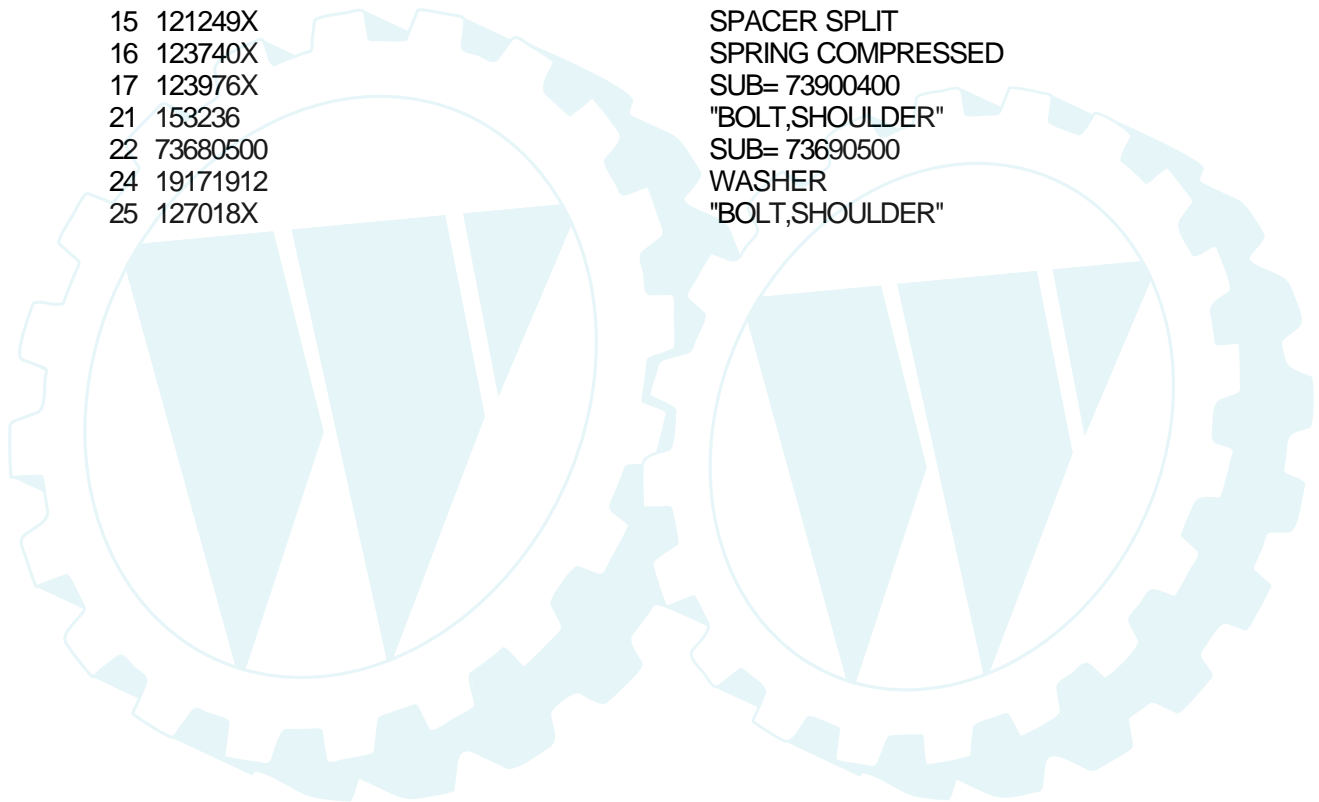
Der Ersatzteilspezialist im Internet.

TRACTOR - - MODEL NUMBER CT14542D

SEAT

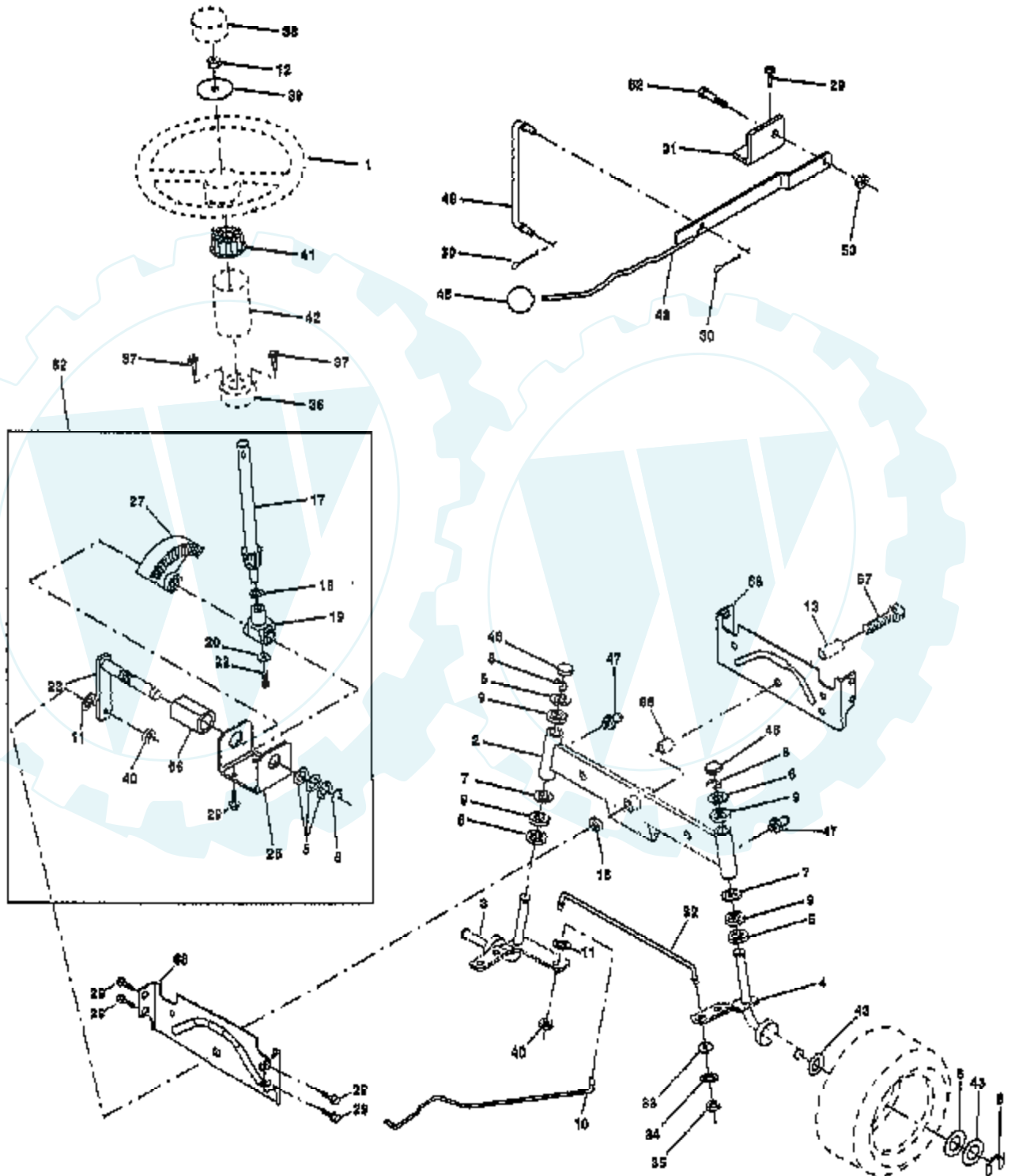


| Ref # | Part Number | Qty | Description |
|-------|-------------|-----|-------------------|
| 1 | 127440 | | SUB= 140121 |
| 2 | 140551 | | BRACKET PVT SEAT |
| 3 | 74760616 | | BOLT |
| 4 | 19131610 | | WASHER PM |
| 5 | 145006 | | CLIP.PUSH-IN.HING |
| 6 | 73800600 | | NUT |
| 7 | 124181X | | SPRING COMPRESSIO |
| 8 | 17490616 | | SCREW GTV |
| 9 | 19131614 | | WASHER |
| 10 | 155925 | | PAN-SEAT |
| 11 | 120068X | | "KNOB 1/2"" YT" |
| 12 | 121246X | | BRKT SWITCH |
| 13 | 121248X | | BUSHING |
| 14 | 72050411 | | SUB= 872050411 |
| 15 | 121249X | | SPACER SPLIT |
| 16 | 123740X | | SPRING COMPRESSED |
| 17 | 123976X | | SUB= 73900400 |
| 21 | 153236 | | "BOLT,SHOULDER" |
| 22 | 73680500 | | SUB= 73690500 |
| 24 | 19171912 | | WASHER |
| 25 | 127018X | | "BOLT,SHOULDER" |



TRACTOR -- MODEL NUMBER CT14542D

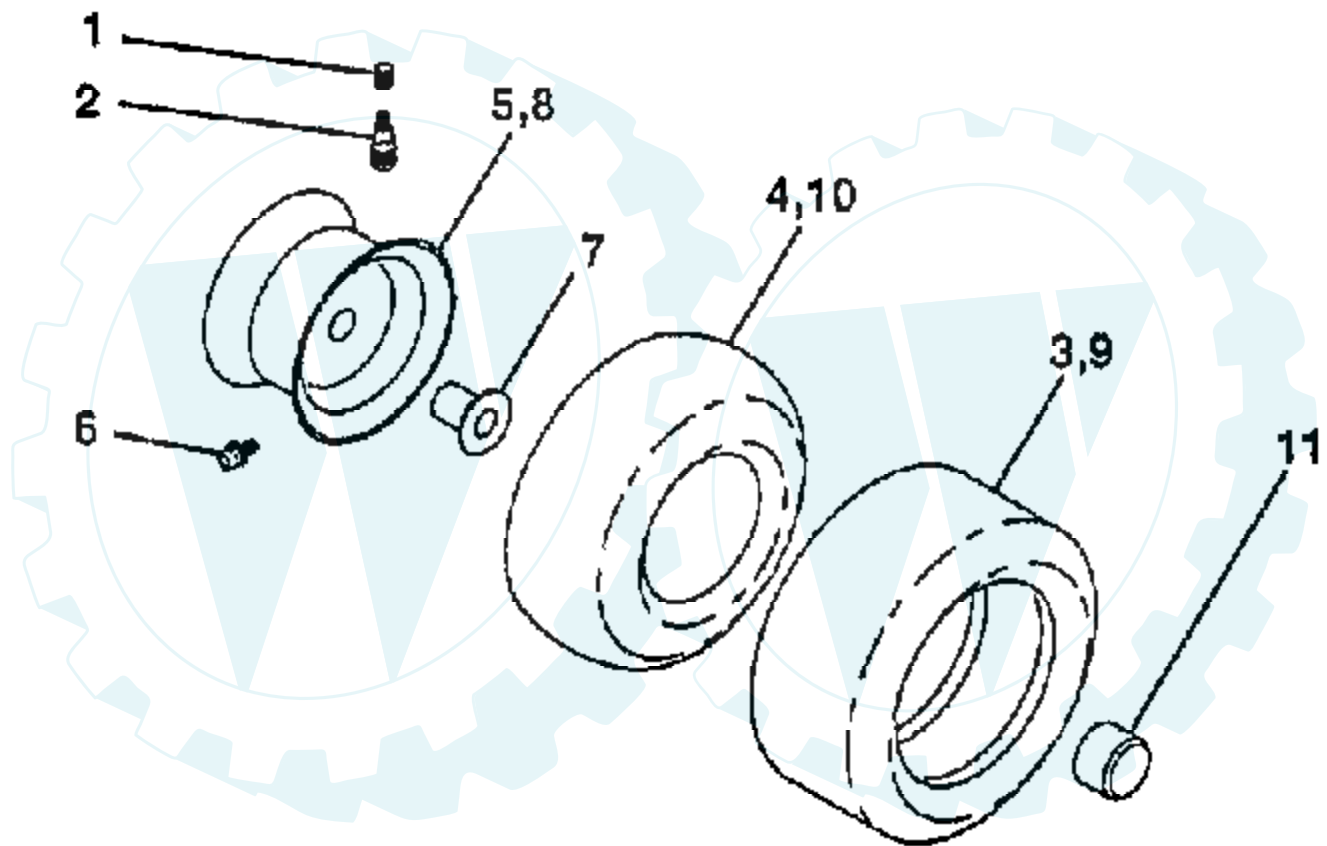
STEERING ASSEMBLY



| Ref # | Part Number | Qty | Description |
|-------|-------------|-----|---------------------|
| 1 | 140044 | | WHEEL STR AYP BLK |
| 2 | 154427 | | AXLE ASM |
| 3 | 156483 | | SPINDLE.ASM.LH |
| 4 | 157473 | | "SPINDLE ASM,RH" |
| 5 | 6266H | | WASHER .T |
| 6 | 121748X | | WASHER |
| 7 | 19272016 | | WASHER |
| 8 | 12000029 | | RING |
| 9 | 3366R | | COL. SRTG. BEAR. |
| 10 | 156438 | | DRAGLINK-STAMPED |
| 11 | 10040600 | | LOCKWASHER |
| 12 | 73940800 | | SUB= 73360800 |
| 13 | 154779 | | BEARING AXLE |
| 15 | 73901000 | | "NUT-LOC,FLANGE LT" |
| 17 | 156543 | | SHAFT ASM STEERNG |
| 18 | 57079 | | THRUST WASHER |
| 19 | 124035X | | SUPPORT.SHAFT |
| 20 | 126684X | | SUB= 532126684 |
| 21 | 10040400 | | LOCKWASHER |
| 22 | 71200410 | | SCREW HEX SOC1/4- |
| 23 | 127501 | | SUB= 918127501 |
| 25 | 154406 | | BRKT-STEERING |
| 27 | 136874 | | GEAR SECTOR |
| 29 | 17490612 | | SCREW |
| 30 | 76020412 | | COTTER PIN |
| 31 | 138171 | | BRKT.PVT.MAN.LVR. |
| 32 | 139929 | | ROD.TIE.19.75 |
| 33 | 19111216 | | WASHER M |
| 34 | 10040500 | | LOCKWASHER |
| 35 | 73810500 | | NUT.LOCK.5/16-24 |
| 36 | 145207 | | BUSHING.STRG.3/4 |
| 37 | 152927 | | "SCREW-TT,10-32 FL" |
| 38 | 140045 | | CAP STEER AYP |
| 39 | 100712K | | WASHER |
| 40 | 7810H | | GRIPCO NUT |
| 41 | 100711L | | ADAPTER LT |
| 42 | 140216 | | BOOT SHAFT STEER |
| 43 | 121749X | | WASHER |
| 45 | 106933X | | KNOB T (1/2-HOLE) |
| 46 | 121232X | | CAP |
| 47 | 6855M | | ZERK M |
| 48 | 146841 | | LEVER.ASM.CLUTCH |
| 49 | 131291 | | LINK CLTCH W/NUTS |
| 52 | 106451X | | "BOLT, SHOULDER LT" |
| 53 | 73680600 | | SUB= 73690600 |
| 62 | 156595 | | KIT STEERING ASM |
| 65 | 154780 | | SPACER AXLE |
| 66 | 154404 | | "BEARING-ARM,PITMA" |
| 67 | 74781044 | | BOLT |
| 68 | 154429 | | BRACE AXLE |

TRACTOR - - MODEL NUMBER CT14542D

WHEELS & TIRES



| Ref # | Part Number | Qty | Description |
|-------|-------------|-----|--------------------------|
| 1 | 59192 | | VALVE CAP |
| 2 | 65139 | | VALVE STEM LT |
| 3 | 106222X | | SUB= 122073X |
| 4 | 59904 | | TUBE.5.3/4.5/6 |
| 5 | 106732X421 | | RIM.FRONT.6.YELLO |
| 6 | 278H | | FITTING LT |
| 7 | 9040H | | "FLANGE, BEARING" |
| 8 | 106108X421 | | SUB= 106108X416 |
| 9 | 122082X | | SUB= 918122082X |
| 10 | 7152J | | TUBE.18X9.5-8 |
| 11 | 104757X | | HUB CAP |
| | 144334 | | SEALANT.TIRE 10 OZ. TUBE |

