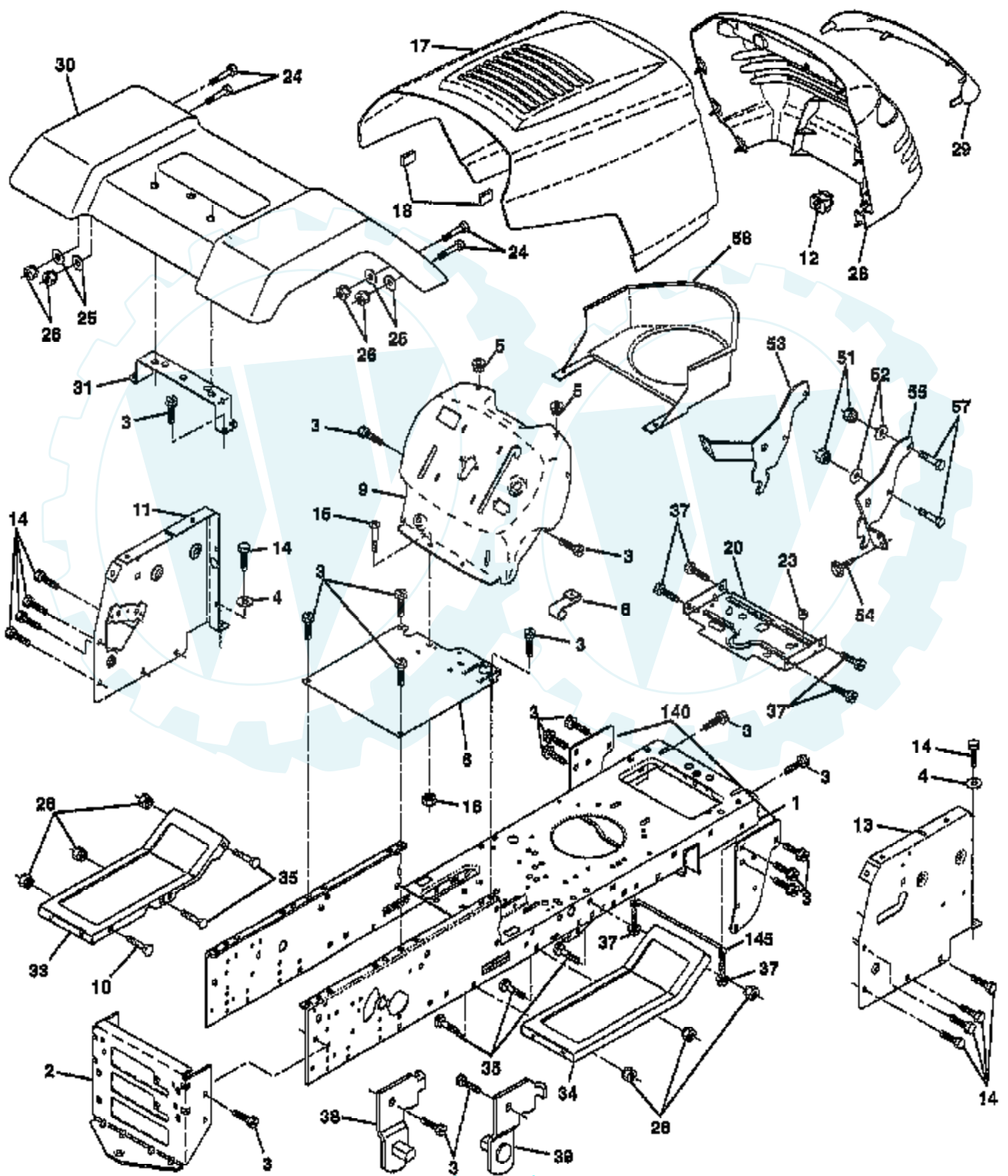


TRACTOR - - MODEL NUMBER CT12542P

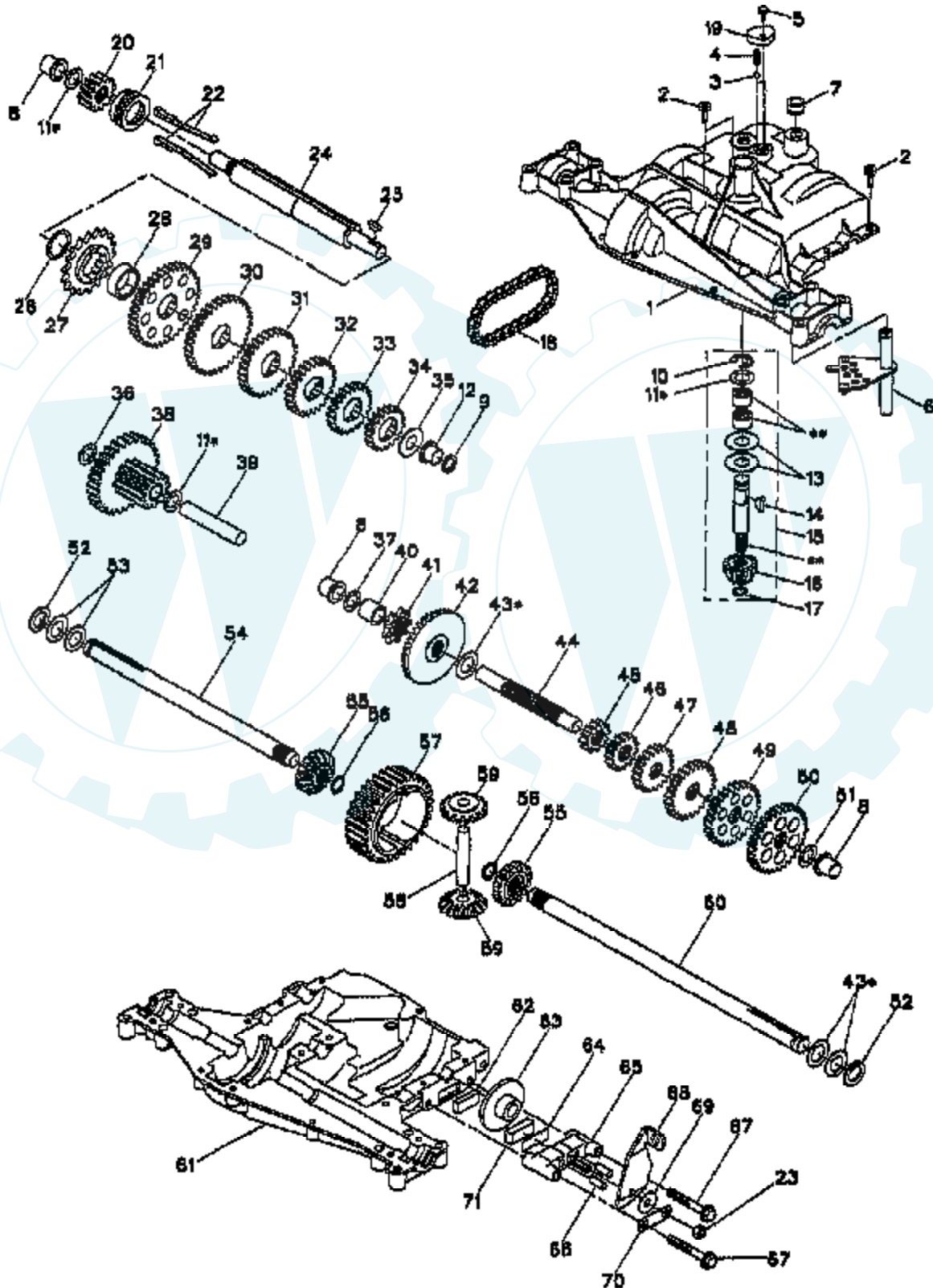
CHASSIS AND ENCLOSURES



Ref #	Part Number	Qty	Description
1	160393		CHASSIS
2	140356		SUB= 145009
3	17490612		SCREW
4	19131216		WASHER
5	155272		BUMPER-HOOD/DASH
6	155924X015		SADDLE-SILKSCREEN
8	155138		CLIP.RETAINER
9	161937X011		DASH SILKSCREEN
10	72140608		SUB= 72110608
11	155927		"PANEL-DASH,LH"
12	145660		CLIP.TINNERMAN
13	155934X010		SUB= 169117X010
14	17490608		SCREW LT
15	74180512		SCREW
16	73510500		NUT
17	159639X550		HOOD.STEEL.ASSY
18	126938X		SUB= 532126938
20	156437		"PLATE-MTG,BATT/FU"
23	124028X		SUB= 532124028
24	74780616		BOLT
25	19131312		WASHER
26	73800600		NUT
28	157373		GRILLE-MS428
29	140273		LENS GRILLE
30	157584X550		FENDER PNT LT
31	136619		BRKT FENDER
33	105476X550		FOOTREST.LH.PERF.
34	105475X550		FOOTREST.RH.PERF.
35	72110606		BOLT
37	17490508		SCREW LT
38	139886		BRACKET ASM LH
39	139887		BRACKET ASM RH
51	73800400		NUT
52	19091416		WASHER
53	144697		BRACKET.GRILLE.LH
54	161464		SCREW.HEX.WS.HD
55	144696		BRACKET.GRILLE.RH
57	74780412		SUB= 74780414
58	150127		AIR DUCT
140	158418		BRKT SUSPENSION
145	156524		"ROD POVOT,CHASSIS"
	5479J		PLUG BUTTON T

TRACTOR - - MODEL NUMBER CT12542P

DANA TRANSAXLE - MODEL NUMBER 4360-113



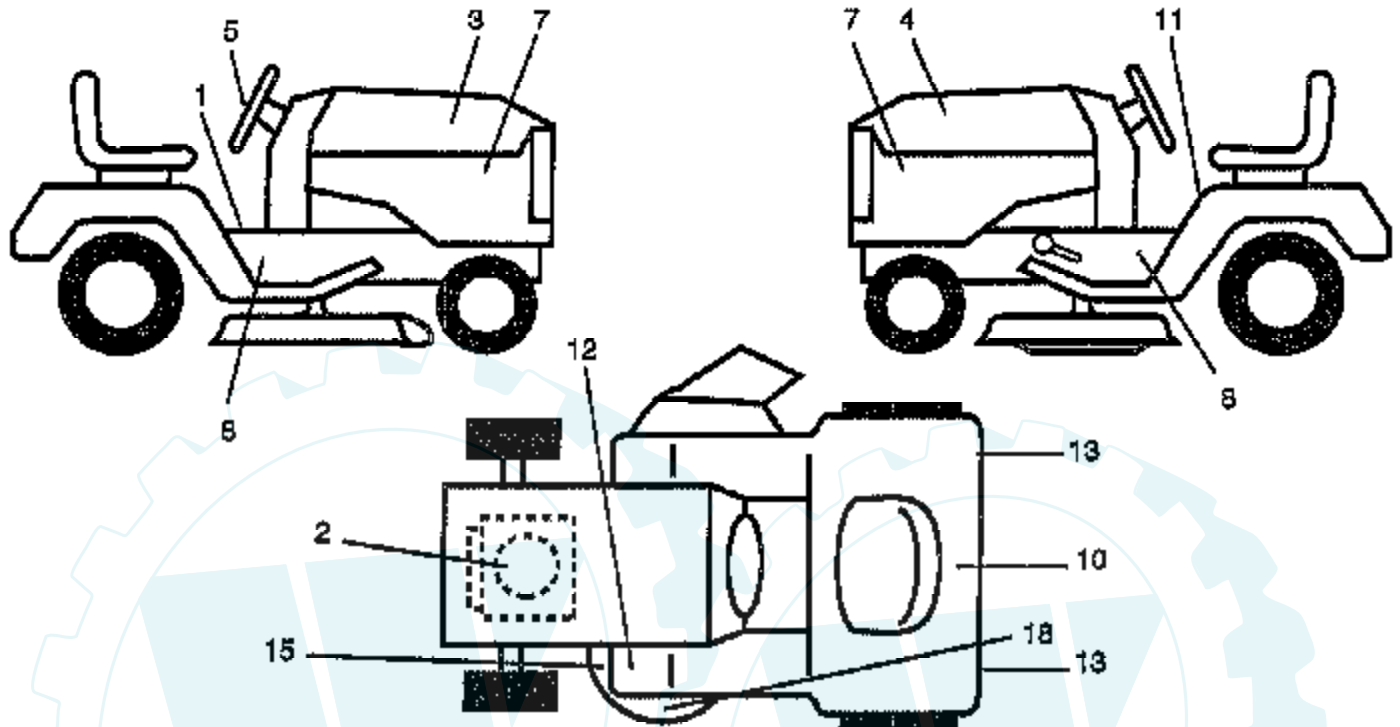
Ref #	Part Number	Qty	Description
1	5305-J		HOUSING, UPPER
2	1919		SCREW
3	5112		BALL, DETENT
4	3626		SPRING, DETENT
5	3405		SCREW, #10-24 X .482
6	4731		SHIFTER ASSEMBLY
7	3789		V-RING
8	5510		BEARING, FLANGE
9	5508		SEAL, OIL
10	1106		RING, RETAINING
11	4689		ASSY, KIT, SHIM .625 SHAFT
12	5511		BEARING, FLANGE
13	3876		WASHER, PLAIN .632 X 1.38 X .046
14	1746		KEY, WOODRUFF, #9
15	4551		ASSEMBLY, KIT, INPUT SHAFT
16	3590		PINION, BEVEL, 14 TEETH
17	3624		RING, RETAINING
18	3625		CHAIN, 24 PITCHES
19	5584		COVER, DETENT
20	5627		GEAR, SPUR, 12T
21	5467		COLLAR, CLUTCH
22	4758		ASSEMBLY, KIT, CLUTCH KEYS
23	3847		LOCKNUT 5/16-24
24	5403		SHAFT, INTERMEDIATE
25	1375		KEY, WOODRUFF, #61
26	3627		RING, RETAINING
27	3830		SPROCKET, 18 TEETH
28	3841		SPACER
29	5365		GEAR, SPUR, 37 TEETH
30	5407		GEAR, SPUR, 35T
31	3867		GEAR, SPUR, 30 TEETH
32	3783		GEAR, SPUR, 25 TEETH
33	3869		GEAR, SPUR, 22 TEETH
34	5202		GEAR, SPUR, 19 TEETH
35	3628		WASHER, PLAIN .640 X 1.37 X .061
36	1425		WASHER PLAIN
37	1082		WASHER PLAIN
38	6153		ASSY, GEAR COMB 12T & 30T
39	3967		SHAFT, IDLER
40	3901		SPACER .635 X .875 X .755
41	3645		SPROCKET, 9 TEETH
42	3853		GEAR, BEVEL, 42 TEETH
43	4691		ASSY, KIT, SHIM .750 SHAFT
44	3882		SHAFT, DRIVE
45	5364		GEAR SPUR, 12 TEETH
46	5406		GEAR, SPUR, 15T
47	3866		GEAR, SPUR, 20 TEETH
48	3719		GEAR, SPUR, 25 TEETH
49	3868		GEAR, SPUR, 28 TEETH
50	3683		GEAR, SPUR, 31 TEETH
51	1145		WASHER, PLAIN .632 X 1.00 X .060
52	5130		WASHER, NEOPRENE
53	3184		WASHER, PLAIN .758 X 1.25 X .031
54	5528-1		AXLE, LH
55	3780		GEAR, MITER, 15 TEETH
56	5270		RING, RETAINING
57	3839		GEAR, SPUR, 32 TEETH
58	3919		SHAFT, CROSS

Ref #	Part Number	Qty	Description
59	3781		GEAR, MITER, 15 TEETH
60	5528-2		AXLE, RH
61	5304-E		HOUSING, LOWER
62	3920		PUCK, FRICTION
63	3276		DISC, BRAKE
64	3758		SPACER
65	5554		JAW, BRAKE
66	3843		PIN, DOWEL
67	5562		SCREW, 5/16-18 X 2.35
68	5285		LEVER ACTUATING
69	3760		WASHER, PLAIN .321 X 1.00 X .055
70	5555		BRACKET, ANTI-ROTATION
71	3907		PUCK, FRICTION
72	4300		GREASE



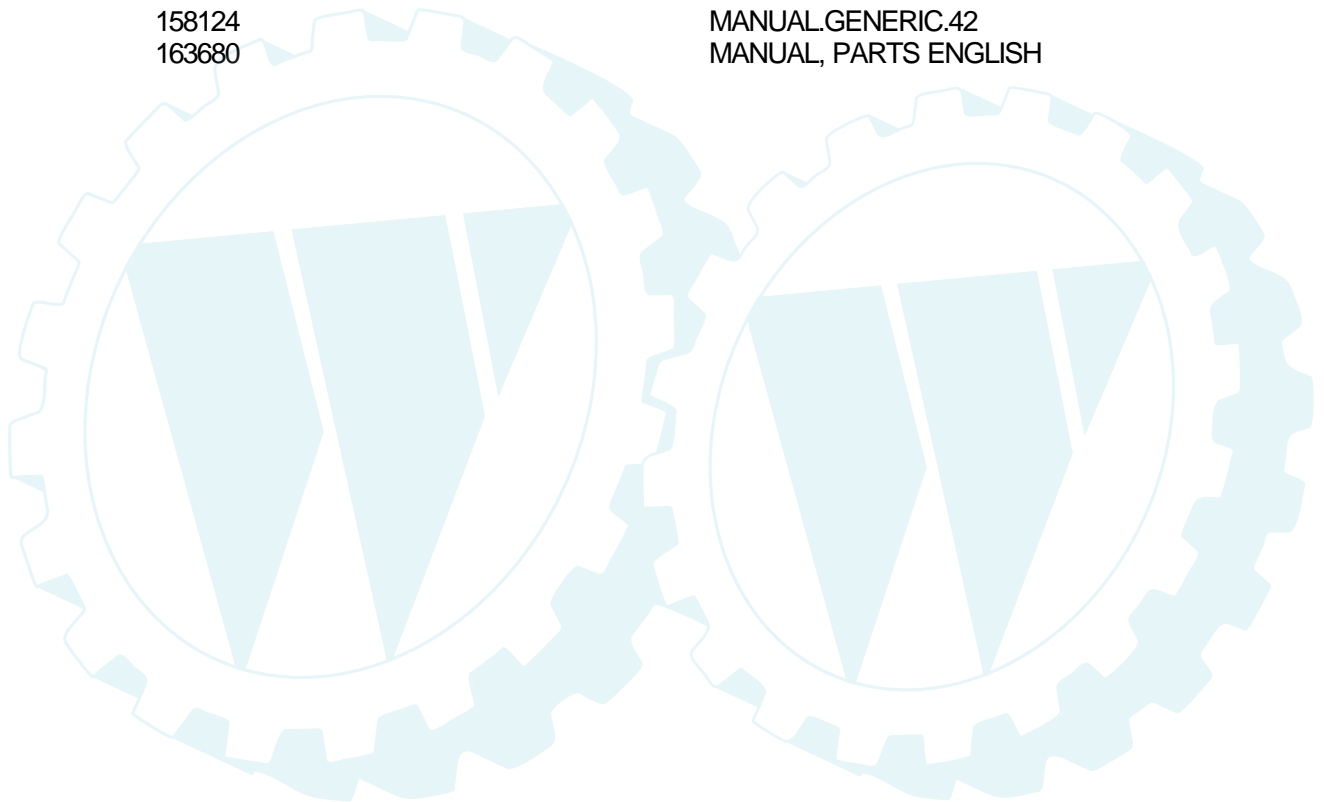
TRACTOR - - MODEL NUMBER CT12542P

DECALS



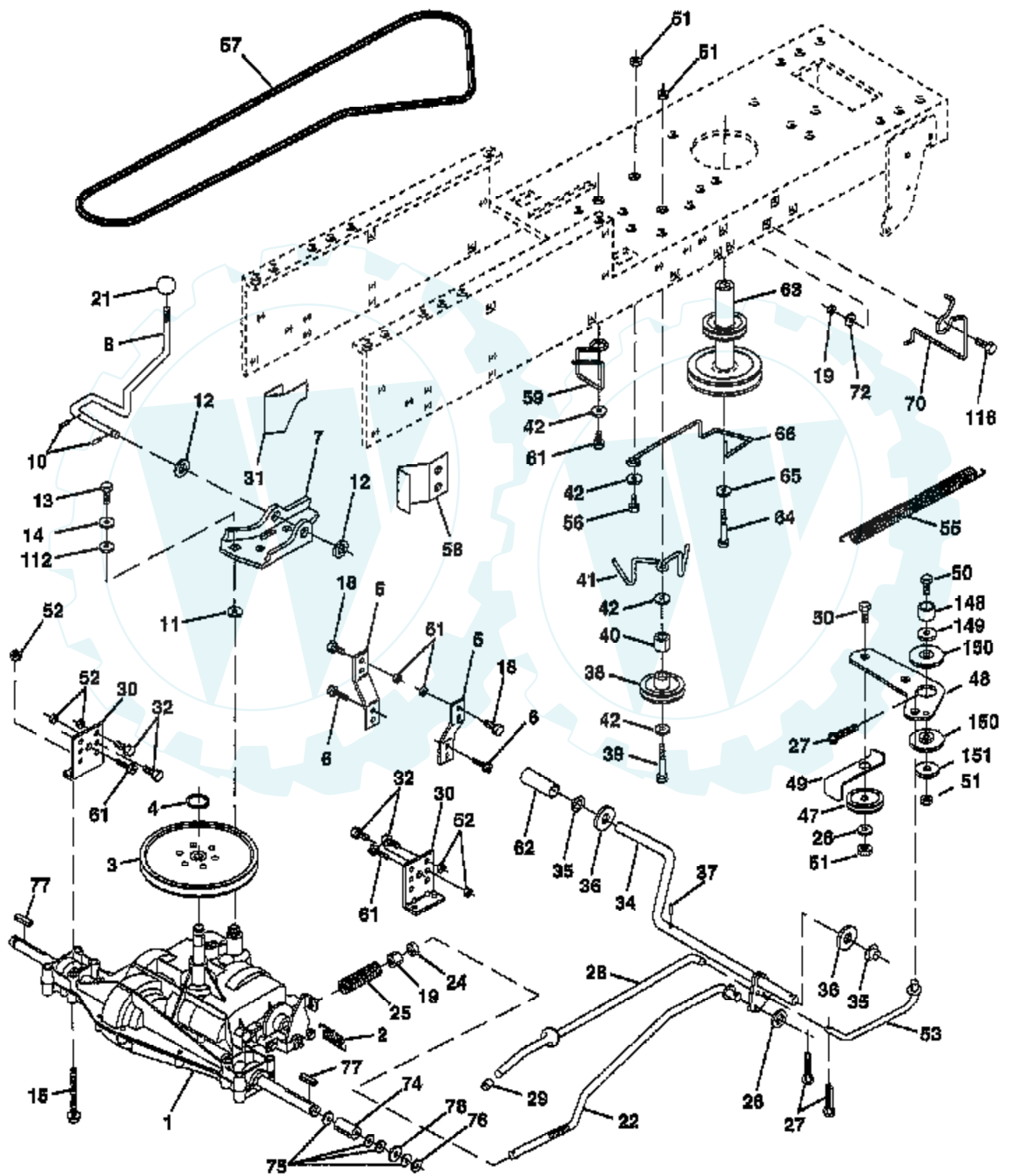
NOTE: All component dimensions given in U.S. inches.
1 inch = 25.4 mm

Ref #	Part Number	Qty	Description
1	156867		"DECAL DASH,OPER."
2	272632		DECAL, HP ENGINE
3	159250		DECAL HOOD RH
4	159251		"DECAL HOOD,LH"
5	158887		DECAL INST STG WH
7	159252		"DECAL PANEL,SIDE"
8	159253		"DECAL CHASSIS 42""
10	145005		DECAL.BATRY.3-3908
11	157002		"DECAL DANGER,FEND"
12	4900J		DECAL T
13	106202X		REFLECTOR-TAIL YT
15	160396		"DECAL-SCHEM,BELT"
18	134999		"DECAL,ENVIRO DECK"
	138311		DECAL HANDLE LIFT
	158124		MANUAL.GENERIC.42
	163680		MANUAL, PARTS ENGLISH



TRACTOR -- MODEL NUMBER CT12542P

DRIVE



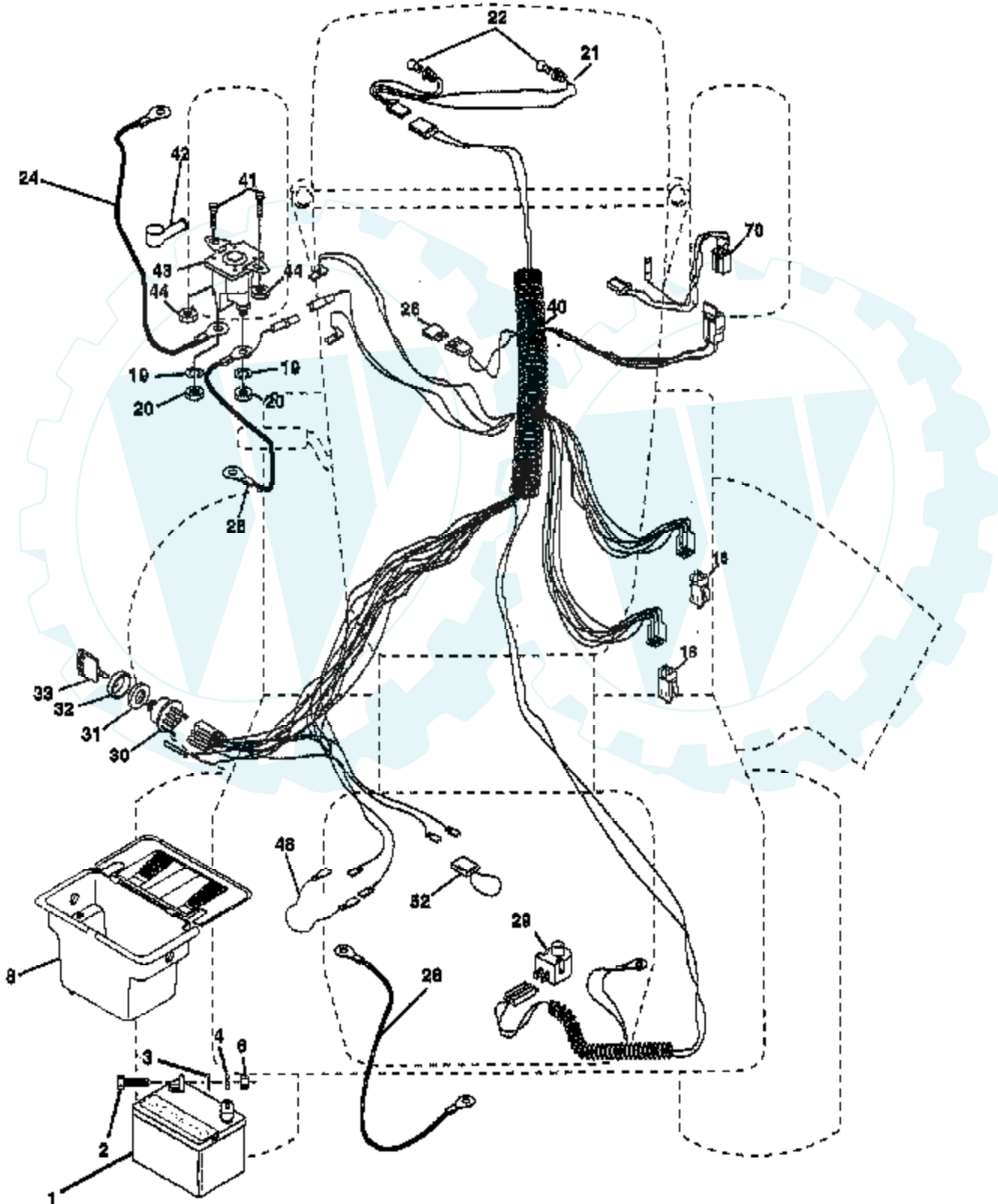
Ref #	Part Number	Qty	Description
2	146682		SPRING.BRAKE.RETU
3	123666X		PULLEY TRANS
4	12000028		SUB= 2267J
5	121520X		STRAP TORQUE
6	17490512		SCREW
7	162240		BRKT.SADDLE.SHIFT
8	131679		SHIFT ROD
10	76020416		PIN COTTER 1/8
11	105701X		WASH-SHFT PLT LT
12	19151216		WASHER
13	74550412		BOLT.1/4-28.W/PAT
14	10040400		LOCKWASHER
15	74490544		BOLT.HX.FLG.5/16
18	74780616		BOLT
19	73800600		NUT
21	106933X		KNOB T (1/2-HOLE)
22	130804		BRAKE ROD
24	73350600		NUT
25	106888X		SPRING ROD LT
26	19131316		WASHER
27	76020412		COTTER PIN
28	145204		ROD.BRAKE.PARK.LT
29	71673		PLUNGER CAP T
30	130807		TRANSAXLE MTG BKT
31	127275X		"KEEPER,BELT LH T"
32	74760512		BOLT
34	155071		SHAFT ASM-PEDAL F
35	120183X		NYLON BEARING
36	19211616		WASHER LT
37	1572H		SUB= 2882J
38	123674X		PULLEY.IDLER.FLAT
39	74760644		BOLT
40	4470J		SPACER T
41	154777		SUB= 165692
42	19131312		WASHER
47	127783		SUB= 139245
48	154407		BELLCRANK.CLUTCH
49	123205X		RETAIN BELT
50	74760624		SUB= 74930624
51	73680600		SUB= 73690600
52	73680500		SUB= 73690500
53	105710X		"LINK, CLUTCH T"
55	105709X		"SPRING, RETURN LT"
56	74760620		SUB= 74780620
57	130801		SUB= 138255
58	127274X		"KEEPER,BELT RH T"
59	140312		KEEPER BELT CNTSP
61	17490612		SCREW
62	8883R		PEDAL COVER T
63	140186		PULLEY.ENGINE
64	71170764		BOLT
65	10040700		LOCKWASHER
66	154778		KEEPER-BELT
70	134683		KEEPER BELT ENG
72	19132012		WASHER
74	109502X		SPACER LT
75	121749X		WASHER
76	12000001		E-RING LT

Ref #	Part Number	Qty	Description
77	123583X		SQUARE KEY
78	121748X		WASHER
112	19091210		WASHER LT
116	72110610		BOLT RDHD 3/8-16
148	159103		SPACER
149	122052X		SPACER RETAINER
150	150935		BUSHING.NYLON
151	19133210		WASHER



TRACTOR -- MODEL NUMBER CT12542P

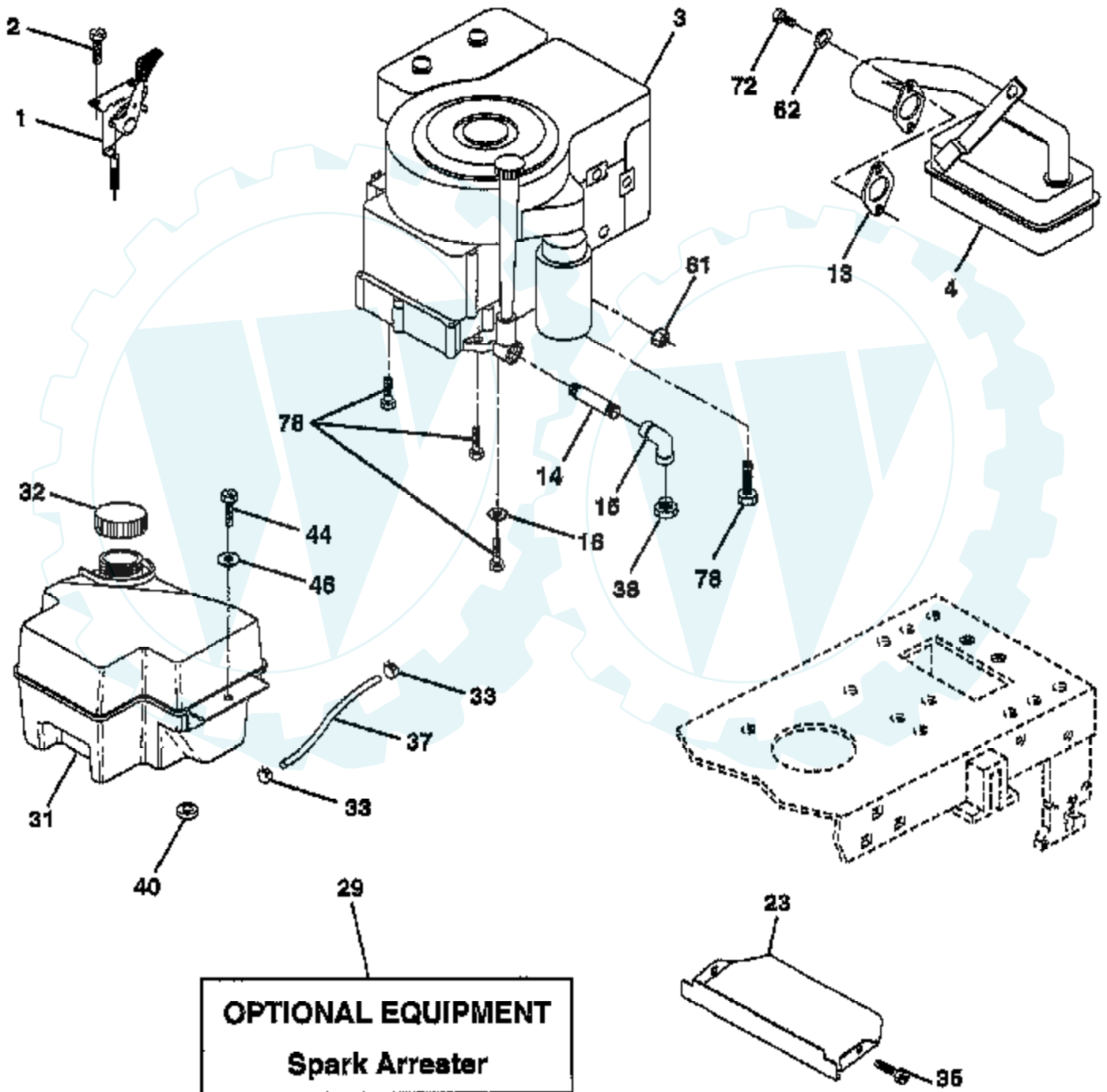
ELECTRICAL



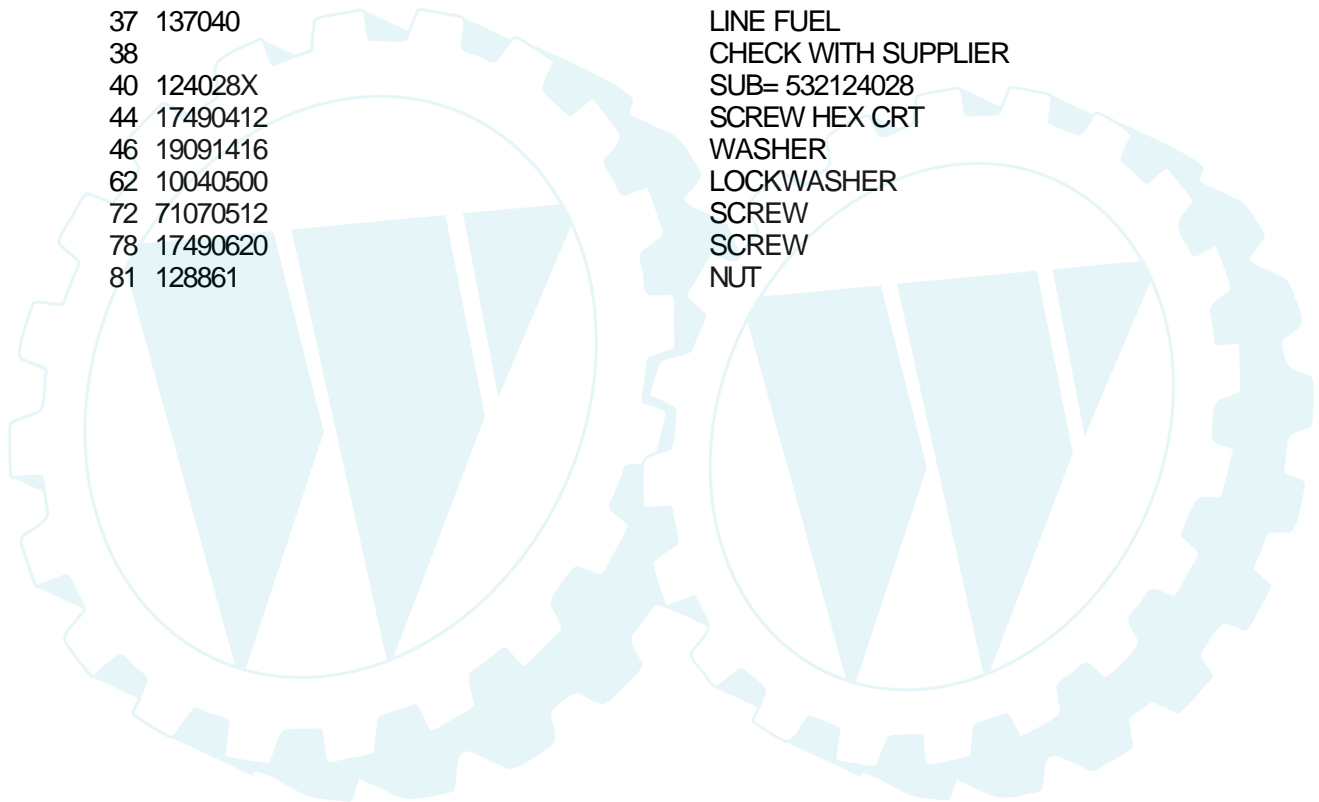
Ref #	Part Number	Qty	Description
1	144925		SUB= 123899X
2	74760412		BOLT LT
3	19091016		WASHER
4	10040400		LOCKWASHER
6	73220400		SUB= 50675
8	156417		"CASE,BATTERY.MECH"
16	153664		SWITCH INTERLOCK
19	10090400		SUB= 10040400
20	73350400		NUT
21	136850		"HARNES,LIGHT SOC"
22	4152J		HEADLAMP BULB
24	4799J		"CABLE T, BATTERY"
25	146147		CABLE.BTRY.6GA.RD
26	108824X		FUSE HYT
28	4207J		CABLE T
29	121305X		SWITCH SEAT
30	140301		SWITCH IGN 4POS
31	124211X		NUT IGNITION
32	141226		COVER KEY SWITCH
33	122147X		KEY
40	156442		HARNES-IGNITION
41	71110408		BOLT HXHD FIN
42	131563		SUB= 154336
43	145673		SUB= 146154
44	73640400		NUT HXKEP 1/4X20
48	140844		ADAPTER AMMETER
52	141940		PROTECTION LOOP
70	140413		HARNES ENG DUAL

TRACTOR - - MODEL NUMBER CT12542P

ENGINE

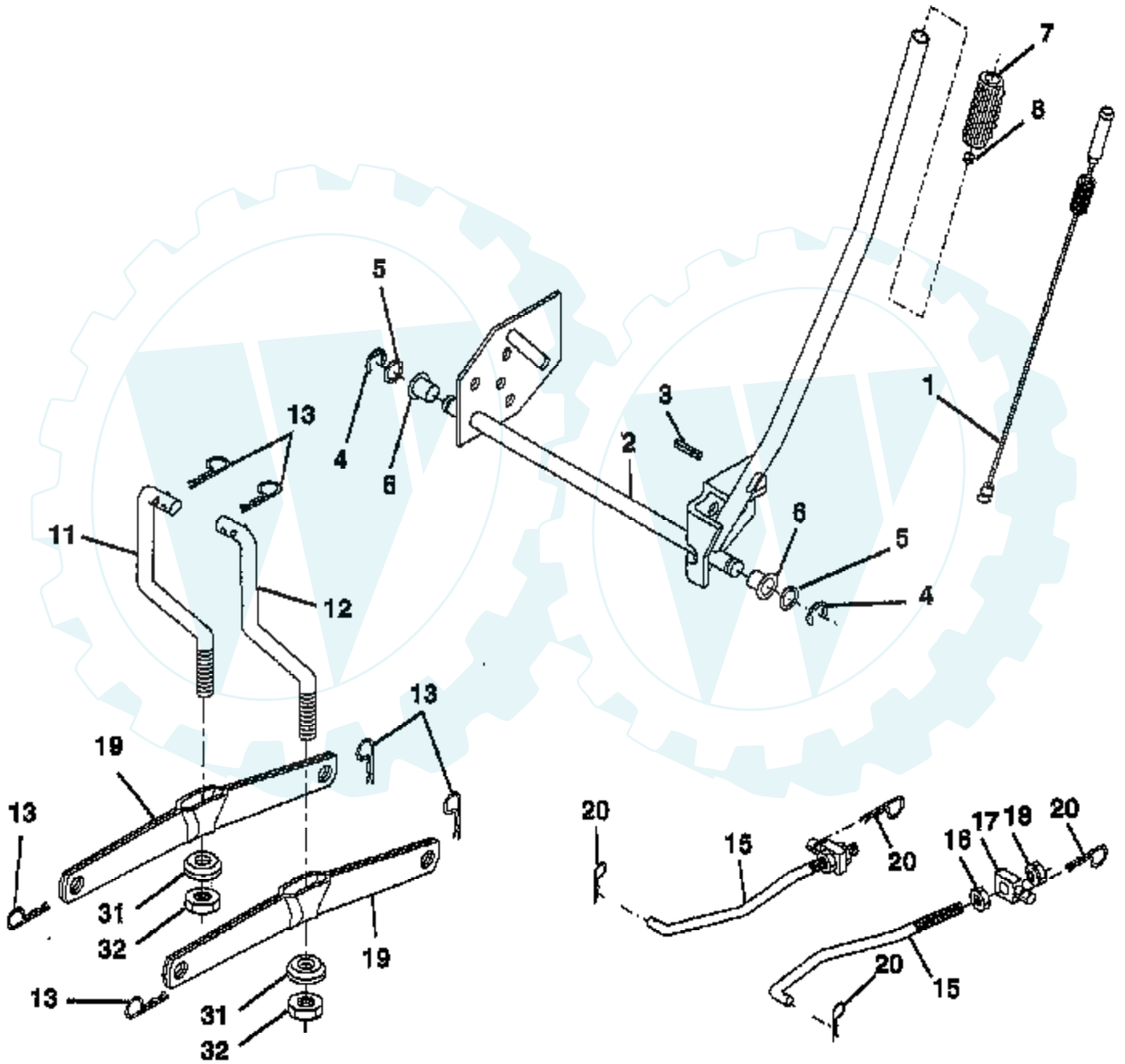


Ref #	Part Number	Qty	Description
1	140310		CONTROL THROTTLE
2	17720410		SCREW LT
3			CHECK WITH SUPPLIER
4	137348		MUFFLER
13	272293		GASKET ENG 1 313 LD TIN PLATED
14	13280324		PIPE NIPPLE
15	13200300		ELBOW
16	11050600		LOCKWASHER
23	159880		SHIELD.BRN/DBR.GD
29	137180		SUB= 532137180
31	161911		TANK.FUEL.FRONT.
32	140527		CAP ASM FUEL
33	123487X		HOSE CLAMP
35	17490512		SCREW
37	137040		LINE FUEL
38			CHECK WITH SUPPLIER
40	124028X		SUB= 532124028
44	17490412		SCREW HEX CRT
46	19091416		WASHER
62	10040500		LOCKWASHER
72	71070512		SCREW
78	17490620		SCREW
81	128861		NUT

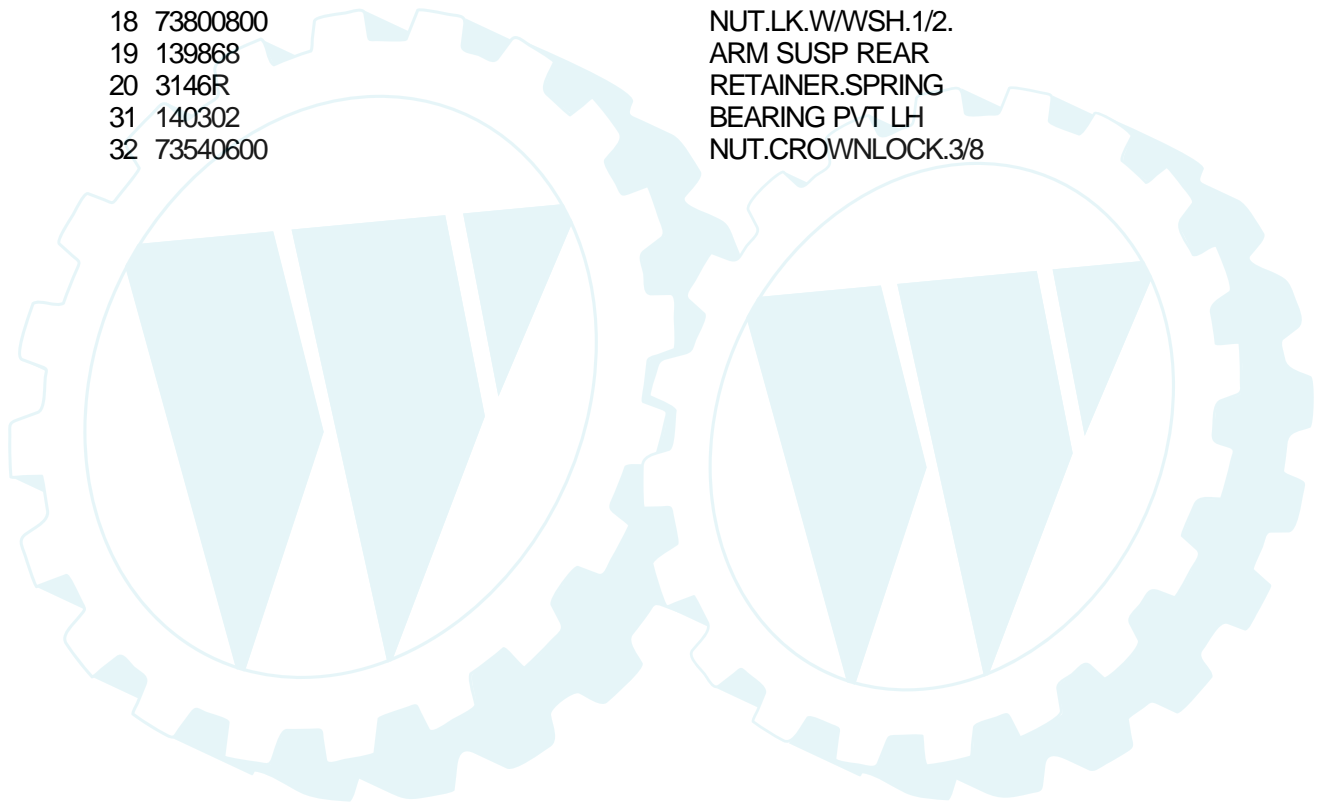


TRACTOR - - MODEL NUMBER CT12542P

LIFT

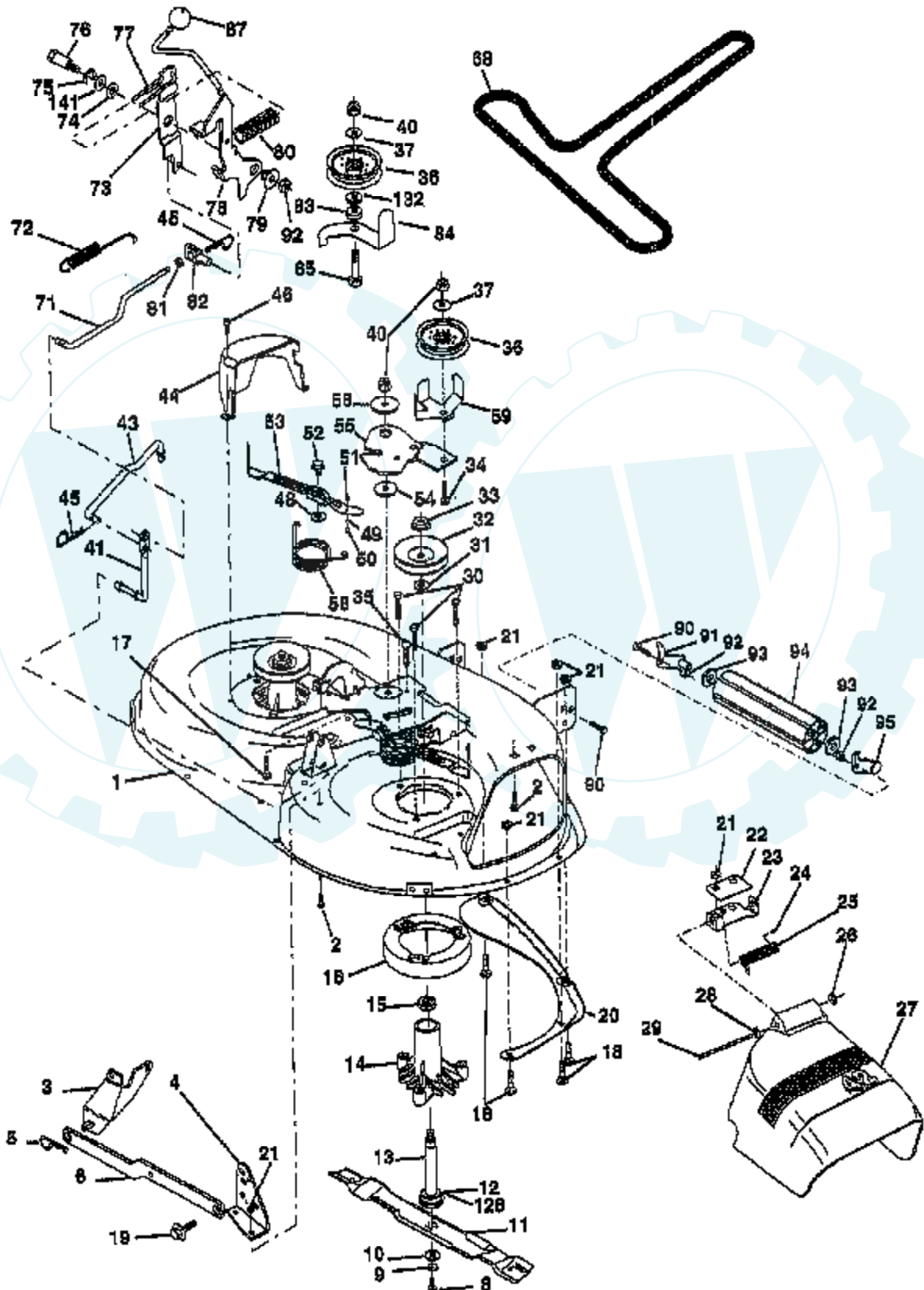


Ref #	Part Number	Qty	Description
1	159460		WIRE ASM W.SPRING
2	159471		"SHAFT ASM LIFT,RH"
3	105767X		PIN-GROOVE LT
4	12000002		SUB= 2225J
5	19211621		WASHER
6	120183X		NYLON BEARING
7	109413X		GRIP
8	124526X		SUB= 125925X
11	139865		SUB= 918139865
12	139866		SUB= 151140
13	4939M		SUB= 85902
15	127218		LINK.FRONT
16	73350800		NUT
17	130171		TRUNION
18	73800800		NUT.LK.W/WSH.1/2.
19	139868		ARM SUSP REAR
20	3146R		RETAINER.SPRING
31	140302		BEARING PVT LH
32	73540600		NUT.CROWNLOCK.3/8



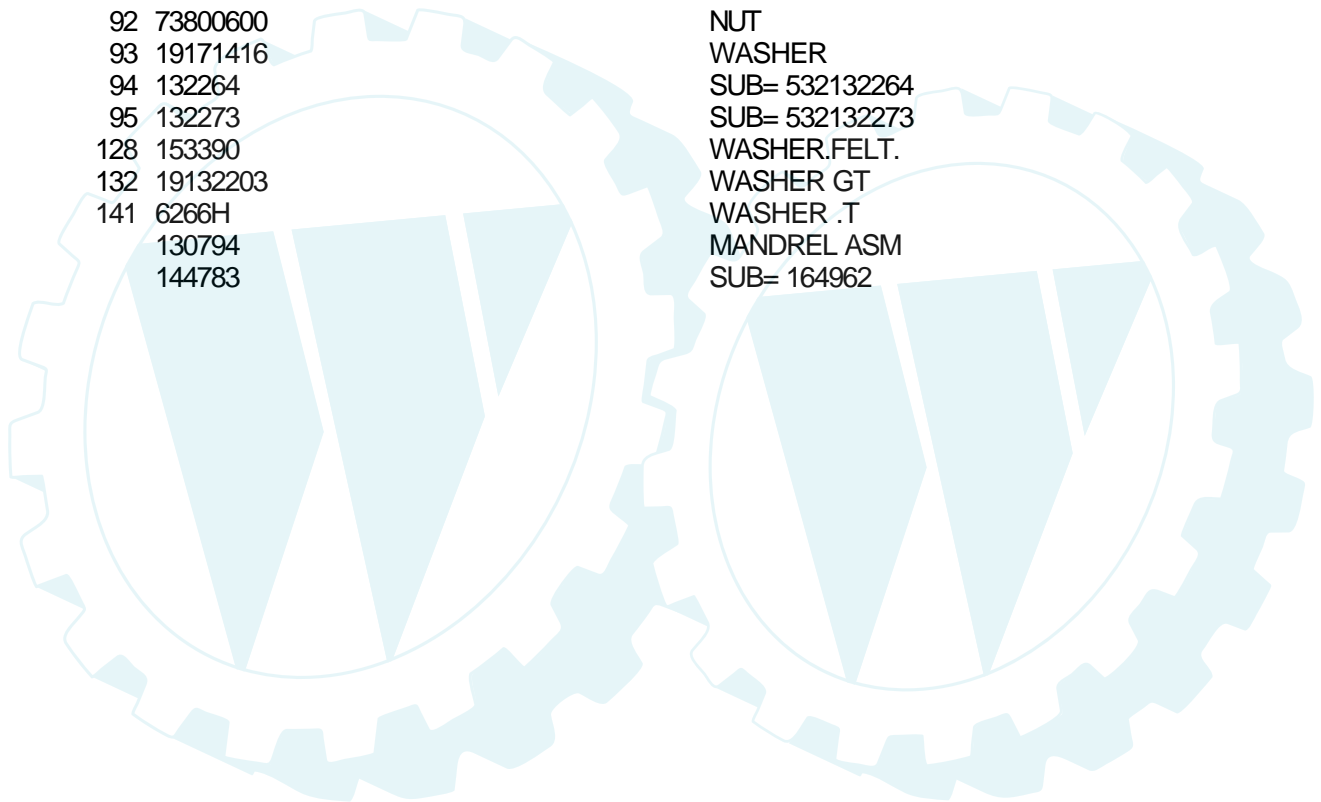
TRACTOR - - MODEL NUMBER CT12542P

MOWER DECK



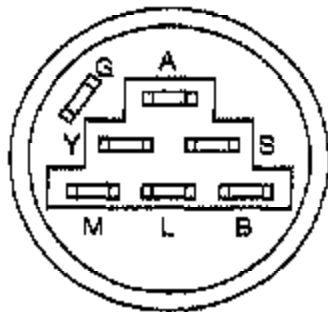
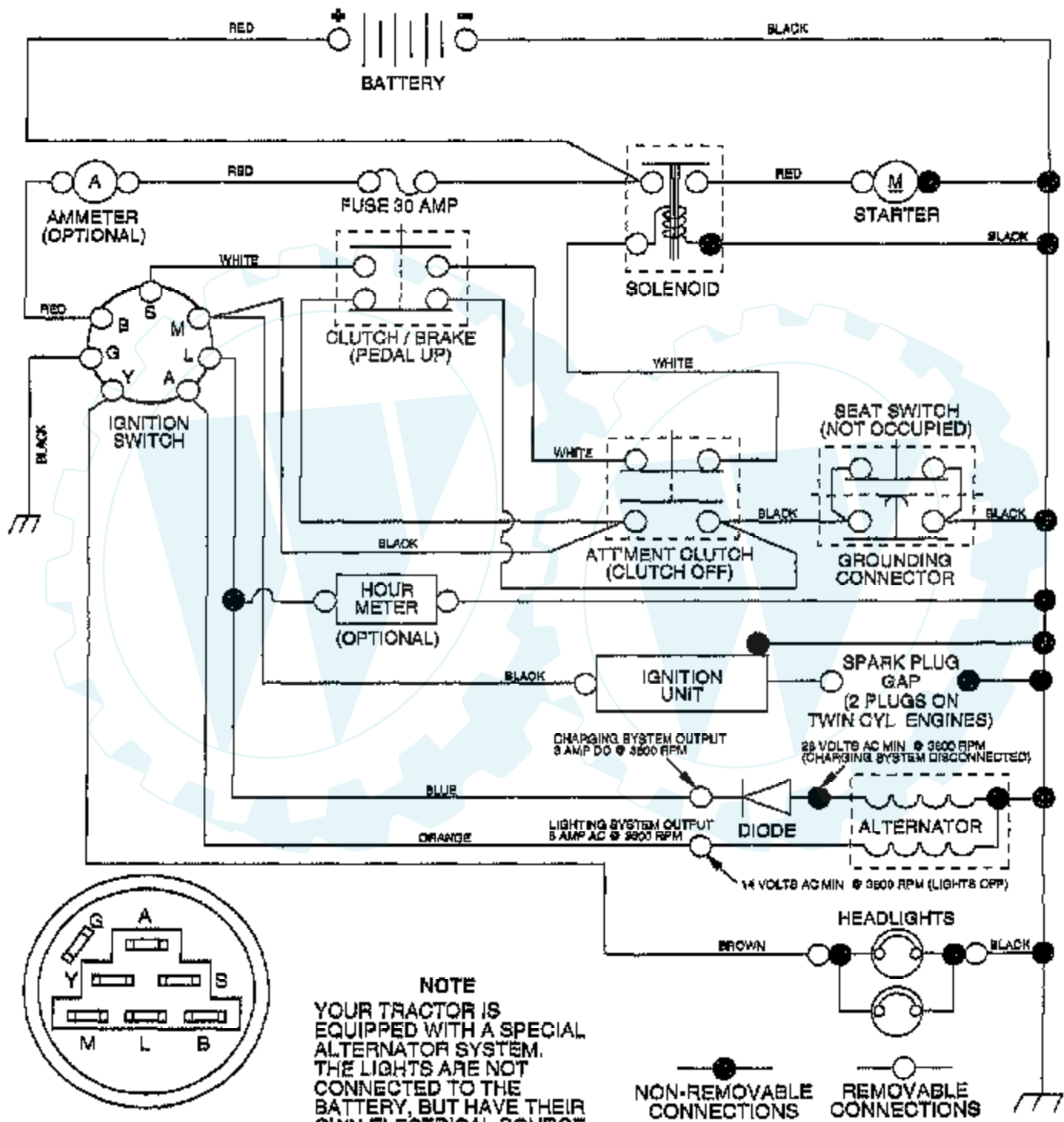
Ref #	Part Number	Qty	Description
1	144393		DECK.WELD.42.
2	72140506		BOLT
3	138017		BRKT ASM SWAY BAR
4	138440		BRKT DECK SW BAR
5	4939M		SUB= 85902
6	130832		SUB= 130833
8	850857		BLADE BOLT
9	10030600		SUB= 10040600
10	140296		WASHER.HARD.BLADE
11	138496		"BLADE.36"" HIPERF"
12	129895		BEARING.BALL
13	137645		SUB= 137646
14	128774		HSG ASM MANDREL
15	110485X		BEARING
16	140329		STRIPPER RND MWR
17	72110610		BOLT RDHD 3/8-16
18	72140505		BOLT
19	132827		BOLT SHD 5/16-18
20	159770		BAFFLE VORTEX 42
21	73680500		SUB= 73690500
22	134753		STIFFENER BRKT
23	131267		DEFLECTOR BRKT
24	105304X		CAP-SLEEVE LT
25	123713X		SPRING TORSION
26	110452X		NUT PUSH M
27	130968		DEFLECTOR.SHIELD
28	19111016		WASHER
29	131491		HINGE ROD
30	157722		"SCREW-THD ROLL,WA"
31	129963		WASHER
32	153535		PULLEY.MANDREL.42
33	137266		SUB= 139729
34	72110614		BOLT
35	133835		XMAS TREE FASTNER
36	131494		FLAT IDLER PULLEY
37	19131316		WASHER
40	73680600		SUB= 73690600
41	133551		PIVOT ROD
43	140083		ROD CLUTCH W/NIBS
44	140088		GUARD MAND LH BLK
45			CHECK WITH SUPPLIER
46	137729		SCREW.1/4-20X5/8
48	133944		HARD SMALL WASHER
49	155066		ROLLER ASM-CAM
50	131340		SHOULDER BOLT
51	69180		LOCKNUT
52	139888		BOLT.SHLD.5/16-18
53	131845		BRAKE PAD ARM ASM
54	133943		HARDENED WASHER
55	155046		ARM-IDLER
56	122052X		SPACER RETAINER
58	140086		SPRING TORSN BRAK
59	141043		GUARD IDLER TUV
67	162132		KNOB.RD.7/16-14
68	144200		BELT.V.T-PATH
71	142427		ROD CLUTCH 38/42
72	131870		RETURN SPRING
73	127847		CLUTCH ARM SECOND

Ref #	Part Number	Qty	Description
74	121748X		WASHER
75	12000029		RING
76	128903		SHOULDER BOLT
77	127845		SPRING KEEPER
78	160570		LEVER.ASM.CLUTCH
79	127498		BUSHING
80	153701		SPRING.CLUTCH.MWR
81	73350600		NUT
82	142028		TRUNION ADJ
83	120958X		WASHER
84	156084		"KEEPER-BELT,FIXED"
85	72140618		BOLT RDHD 3/8-16
90	74760616		BOLT
91	132274		SUB= 532132274
92	73800600		NUT
93	19171416		WASHER
94	132264		SUB= 532132264
95	132273		SUB= 532132273
128	153390		WASHER.FELT.
132	19132203		WASHER GT
141	6266H		WASHER .T
	130794		MANDREL ASM
	144783		SUB= 164962



TRACTOR - - MODEL NUMBER CT12542P

SCHEMATIC

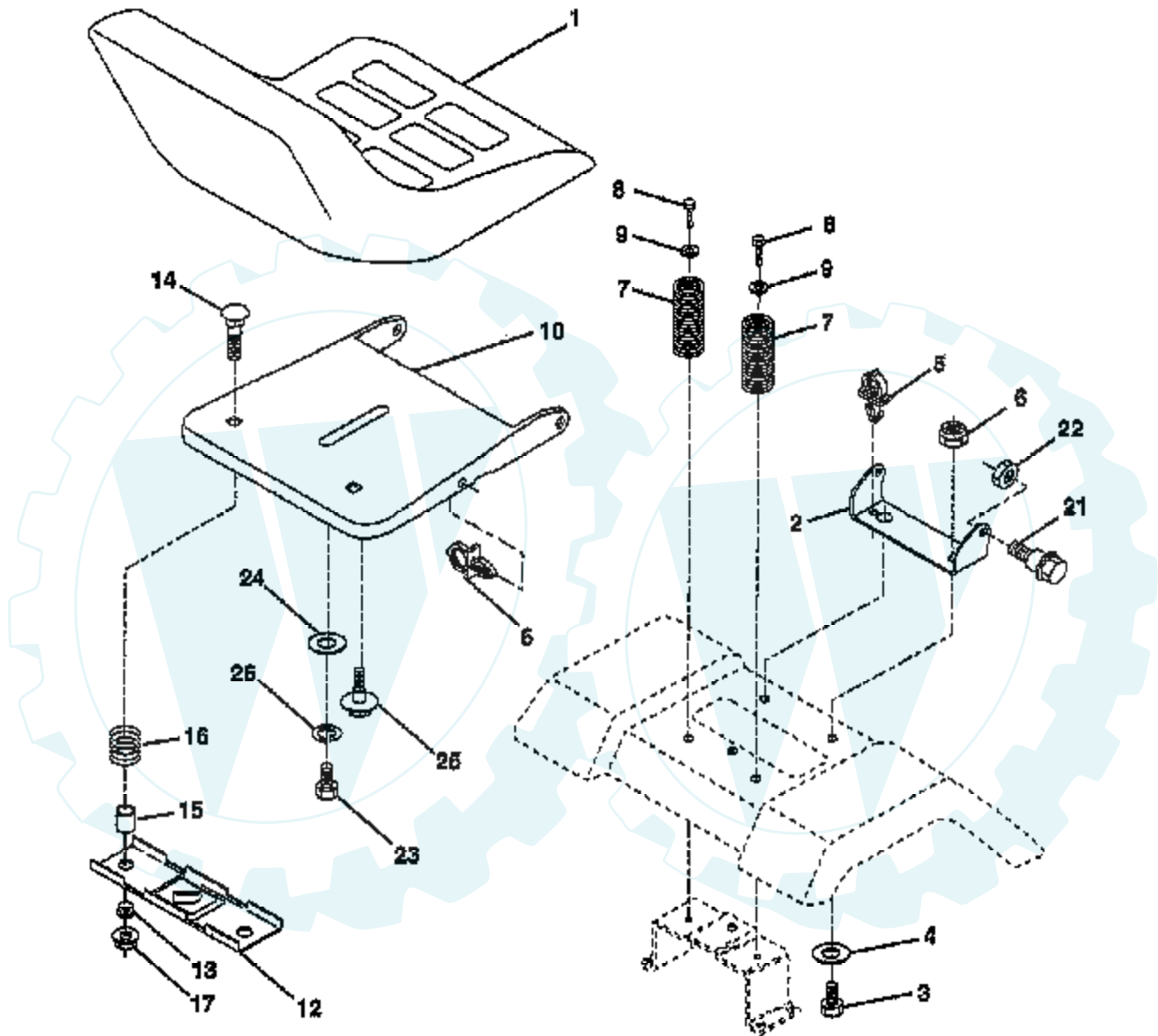


IGNITION SWITCH

POSITION	CIRCUIT	"MAKE"
OFF	G + M + L	NONE
RUN/LIGHT	B + L	A + Y
RUN	B + L	NONE
START	B + L + S	NONE

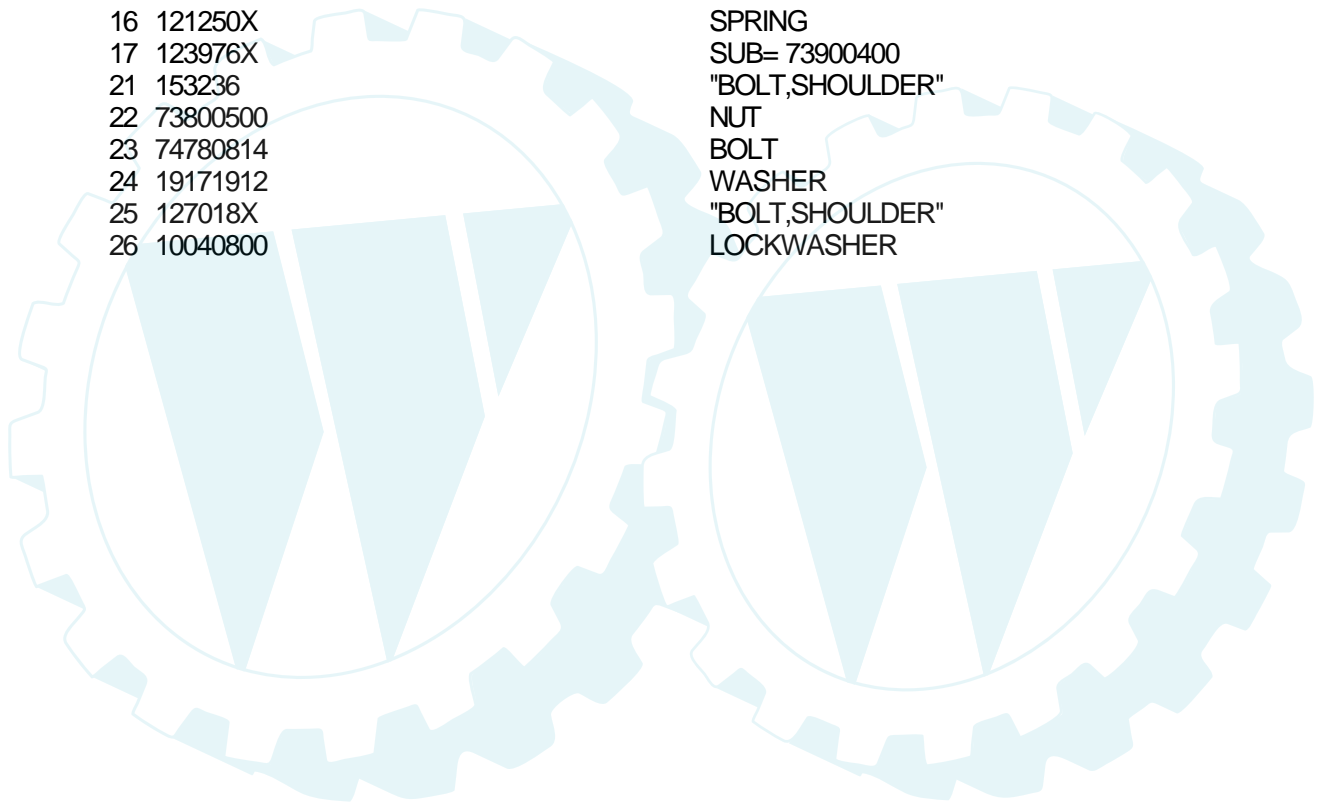
TRACTOR - - MODEL NUMBER CT12542P

SEAT ASSEMBLY



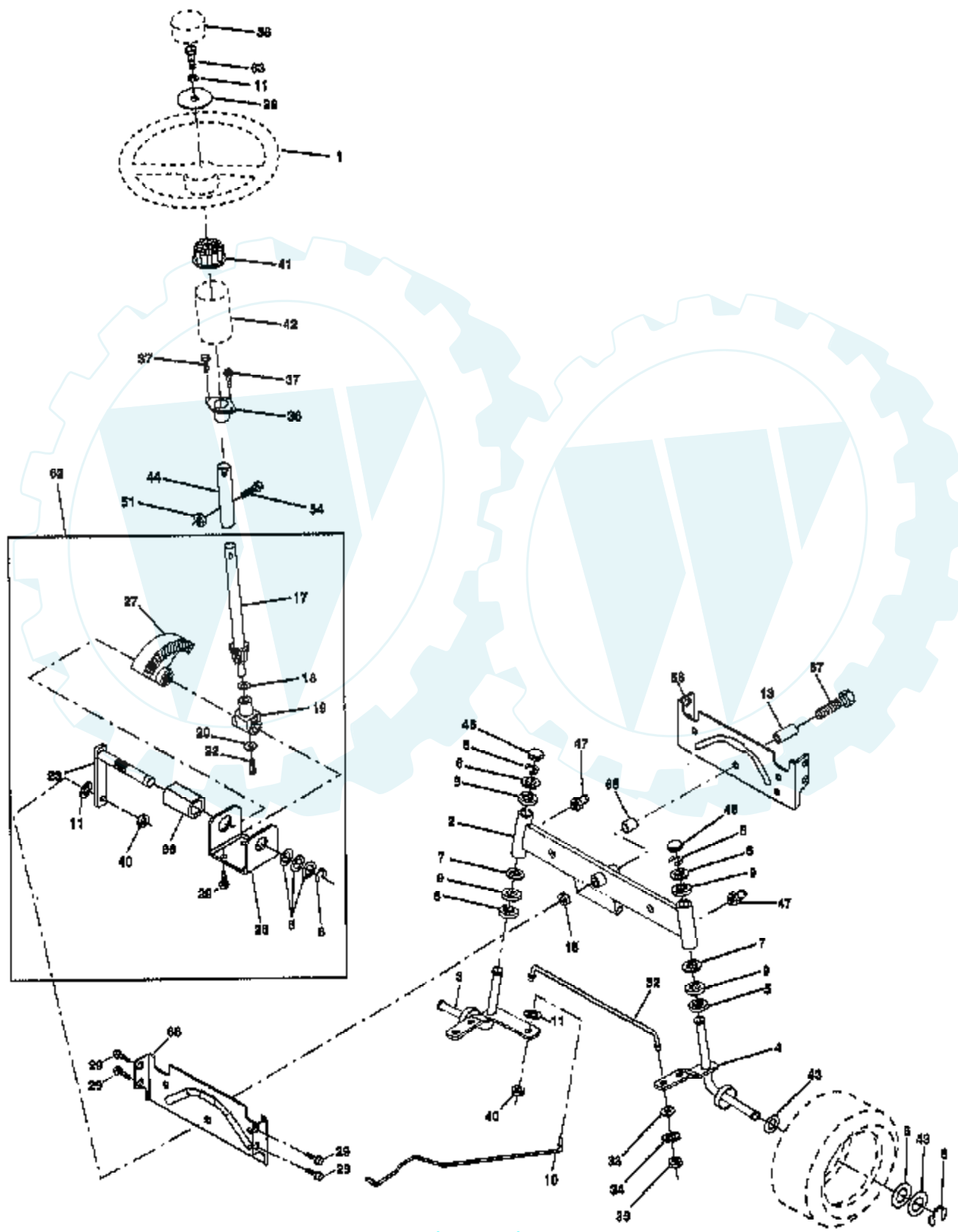
NOTE: All component dimensions given in U.S. Inches.
1 inch = 25.4 mm

Ref #	Part Number	Qty	Description
1	127428		SUB= 140119
2	140551		BRACKET PVT SEAT
3	74760616		BOLT
4	19131610		WASHER PM
5	145006		CLIP.PUSH-IN.HING
6	73800600		NUT
7	124181X		SPRING COMPRESSIO
8	17490616		SCREW GTV
9	19131614		WASHER
10	155925		PAN-SEAT
12	121246X		BRKT SWITCH
13	121248X		BUSHING
14	72050412		BOLT-RD HD SQ NK
15	134300		SPLIT SPACER
16	121250X		SPRING
17	123976X		SUB= 73900400
21	153236		"BOLT,SHOULDER"
22	73800500		NUT
23	74780814		BOLT
24	19171912		WASHER
25	127018X		"BOLT,SHOULDER"
26	10040800		LOCKWASHER



TRACTOR - - MODEL NUMBER CT12542P

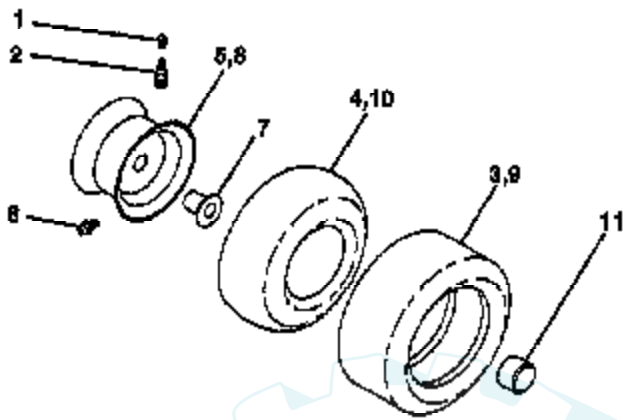
STEERING ASSEMBLY



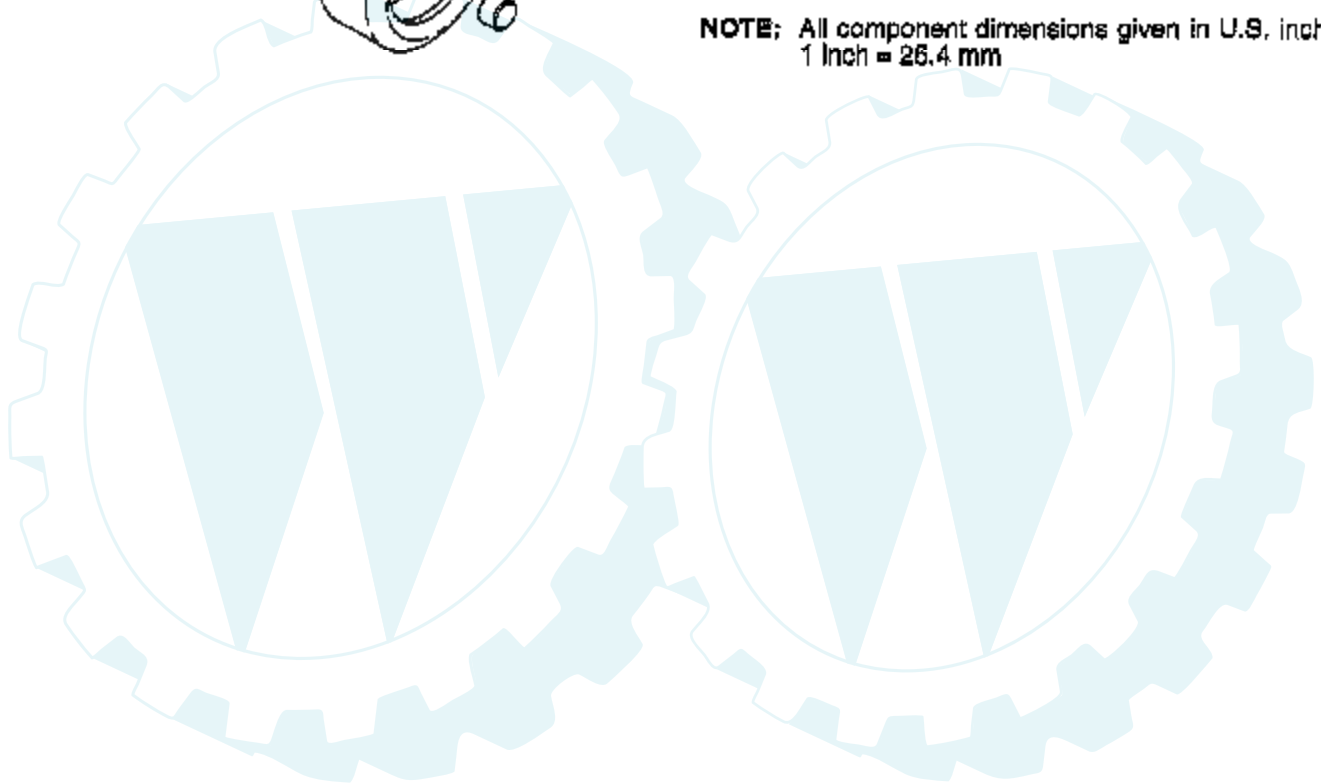
Ref #	Part Number	Qty	Description
1	140044		WHEEL STR AYP BLK
2	154427		AXLE ASM
3	156483		SPINDLE.ASM.LH
4	157473		"SPINDLE ASM,RH"
5	6266H		WASHER .T
6	121748X		WASHER
7	19272016		WASHER
8	12000029		RING
9	3366R		COL. SRTG. BEAR.
10	156438		DRAGLINK-STAMPED
11	10040600		LOCKWASHER
13	154779		BEARING AXLE
15	73901000		"NUT-LOC,FLANGE LT"
17	156546		SHAFT ASM STEERIN
18	57079		THRUST WASHER
19	124035X		SUPPORT.SHAFT
20	126684X		SUB= 532126684
22	71200410		SCREW HEX SOC1/4-
23	127501		SUB= 918127501
25	154406		BRKT-STEERING
27	136874		GEAR SECTOR
29	17490612		SCREW
32	139929		ROD.TIE.19.75
33	19111216		WASHER M
34	10040500		LOCKWASHER
35	73810500		NUT.LOCK.5/16-24
36	155099		BUSHING.STEERING
37	152927		"SCREW-TT,10-32 FL"
38	140045		CAP STEER AYP
39	19133808		WASHER T
40	7810H		GRIPCO NUT
41	100711L		ADAPTER LT
42	145054		BOOT.STEER.PL
43	121749X		WASHER
44	153720		EXT SHAFT STEERIN
46	121232X		CAP
47	6855M		ZERK M
51	73800500		NUT
54	74780520		BOLT
62	156594		KIT STEERING ASM
63	74780616		BOLT
65	154780		SPACER AXLE
66	154404		"BEARING-ARM,PITMA"
67	74781044		BOLT
68	154429		BRACE AXLE

WHEELS & TIRES

TRACTOR - - MODEL NUMBER CT12542P



NOTE: All component dimensions given in U.S. inches.
1 Inch = 25.4 mm



Ref #	Part Number	Qty	Description
1	59192		VALVE CAP
2	65139		VALVE STEM LT
3	106222X		SUB= 122073X
4	59904		TUBE.5.3/4.5/6
5	106732X421		RIM.FRONT.6.YELLO
6	278H		FITTING LT
7	9040H		"FLANGE, BEARING"
8	106108X421		SUB= 106108X416
9	106268X		SUB= 122074X
10	7152J		TUBE.18X9.5-8
11	104757X		HUB CAP
	144334		SEALANT.TIRE 10 OZ. TUBE

