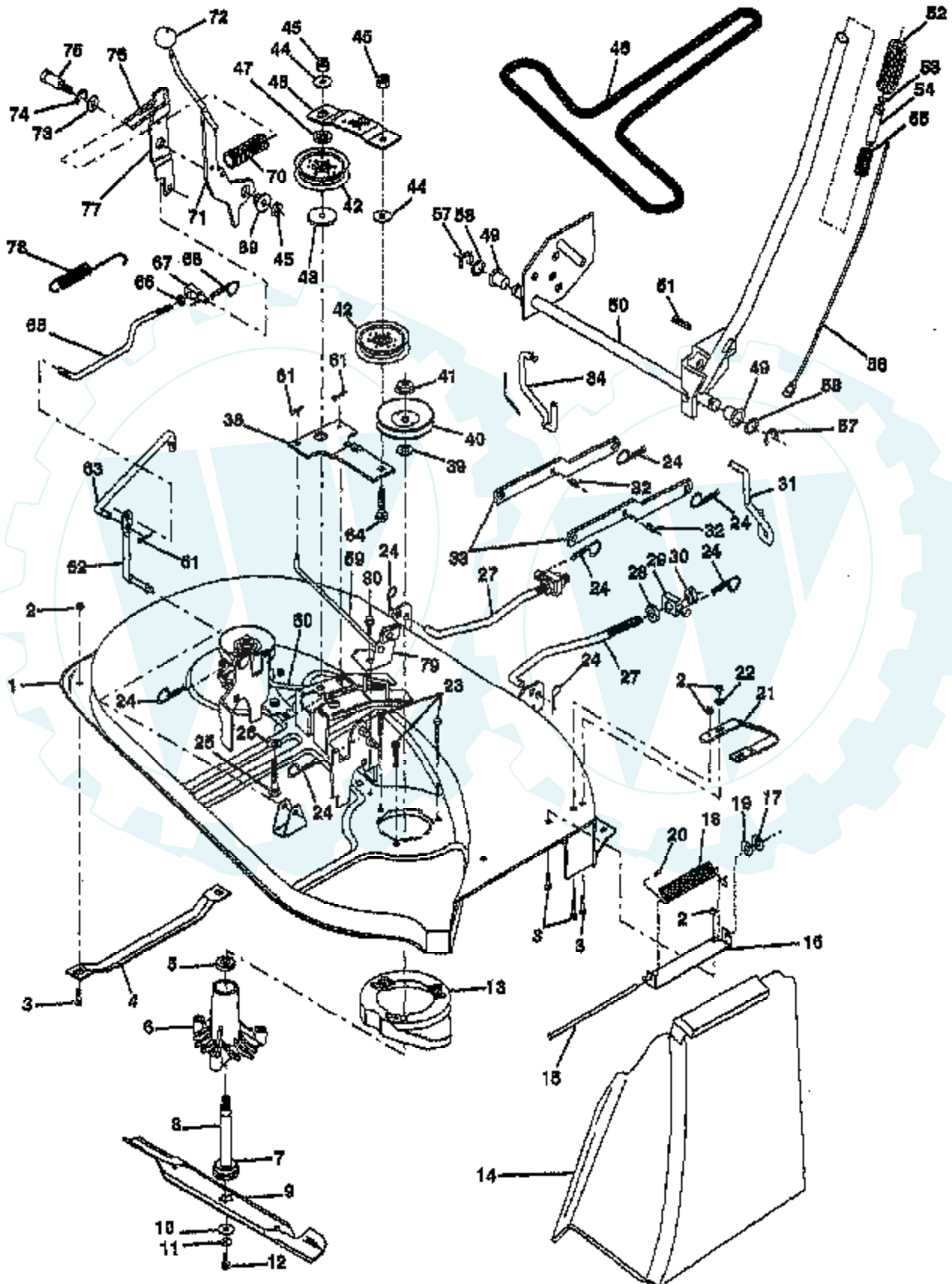


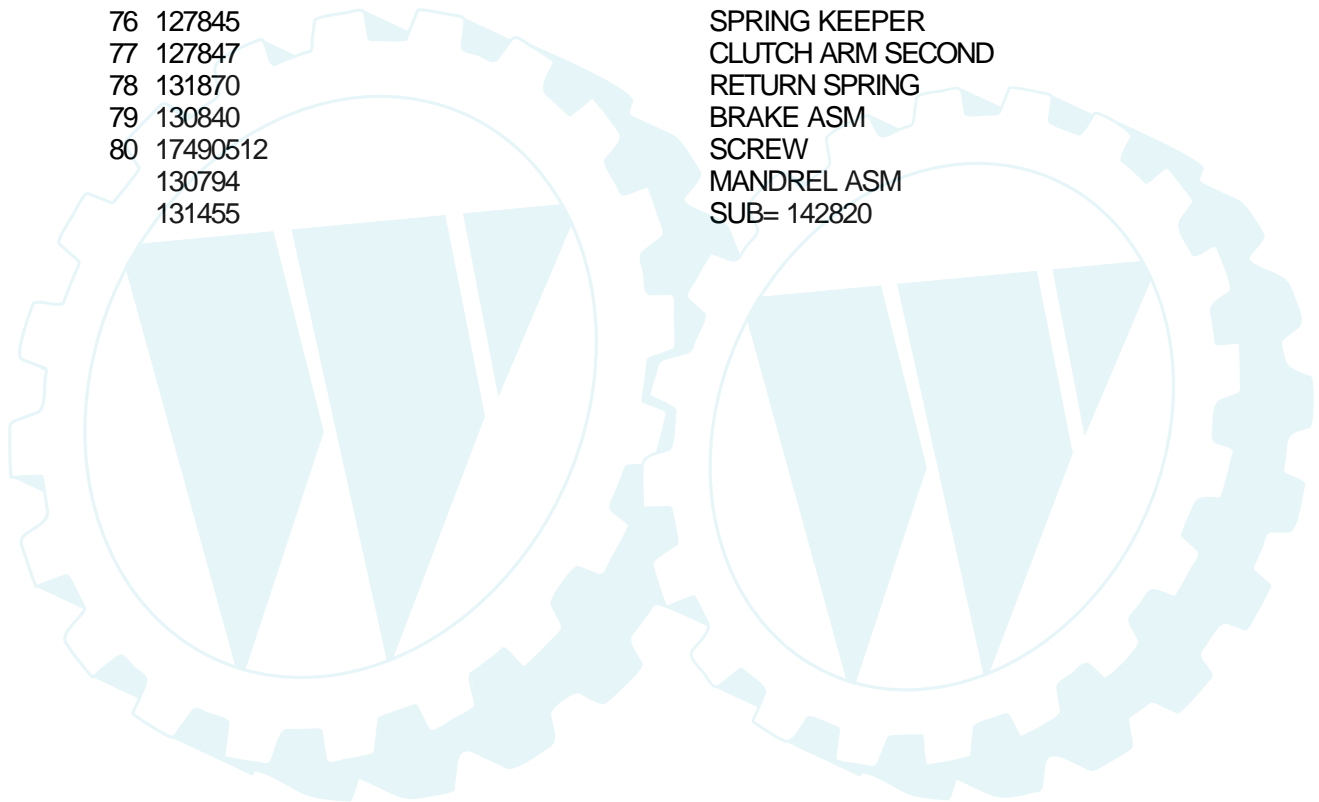
12.5 HP 38" TRACTOR - MODEL NUMBER CT12538B

38" MOWER



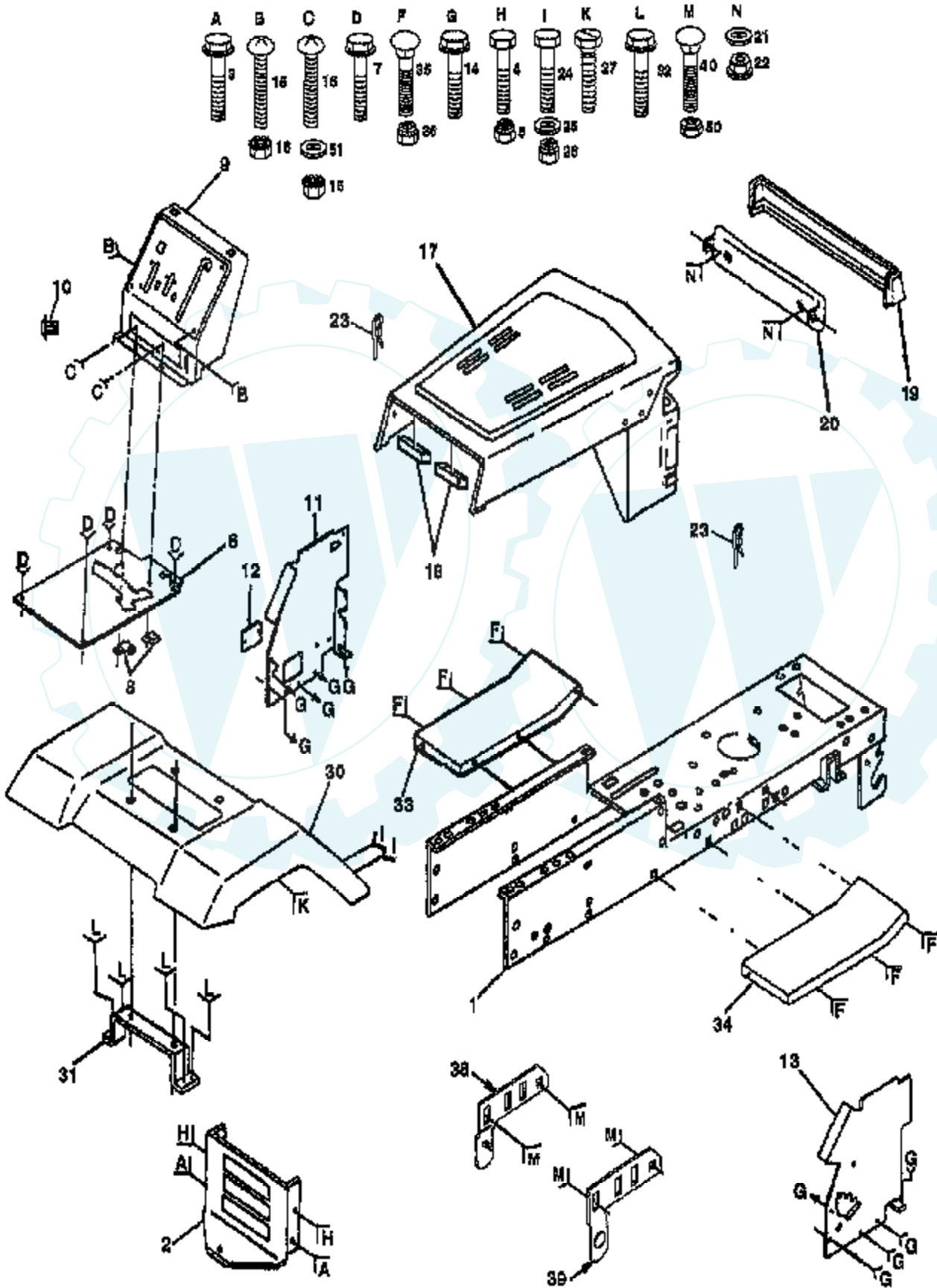
Ref #	Part Number	Qty	Description
1	129365		SUB= 145775
2	73680500		SUB= 73690500
3	72140506		BOLT
4	7631J		RUNNER-LH M
5	110485X		BEARING
6	128774		HSG ASM MANDREL
7	129895		BEARING.BALL
8	133172		SUB= 137646
9	127842		SUB= 138497
10	129962		WASHER BLADE
11	10030600		SUB= 10040600
12	850857		BLADE BOLT
13	128961		SUB= 140329
14	106736X		DEFLECTOR-SHLD T
15	106735X		ROD-HINGE T
16	105896X		SUB= 137607
17	110452X		NUT PUSH M
18	106734X		SUB= 123713X
19	19111016		WASHER
20	105304X		CAP-SLEEVE LT
21	128772		RUNNER RH
22	19111216		WASHER M
23	78158		SUB= 17580520
24	4939M		SUB= 85902
25	74600636		BOLT
26	19131612		WASHER GT
27	127218		LINK.FRONT
28	73350800		NUT
29	130171		TRUNION
30	73800800		NUT.LK.W/WSH.1/2.
31	135388		LIFT LINK RH
32	135563		"PIN,SPRING"
33	130833		SUSP ARM ASM REAR
34	134619		LINK LIFT LH
38	133840		IDLER ARM ASSY
39	129963		WASHER
40	129206		SUB= 153532
41	73050900		SUB= 139729
42	131494		FLAT IDLER PULLEY
43	122052X		SPACER RETAINER
44	19131612		WASHER GT
45	73680600		SUB= 73690600
46	131290		BELT-V.88.12.MW
47	133502		RETAINER SPACER
48	133503		IDLER ARM STIFF
49	120183X		NYLON BEARING
50	122507X		SUB= 145117
51	105767X		PIN-GROOVE LT
52	109413X		GRIP
53	124526X		SUB= 125925X
54	122364X		SUB= 125925X
55	122512X		SUB= 532122512
56	122514X		SUB= 136973
57	12000002		SUB= 2225J
58	19211416		WASHER
59	131288		BRAKE ROD RH
60	131289		BRAKE ROD LH
61	76020312		SUB= 3145

Ref #	Part Number	Qty	Description
62	133551		PIVOT ROD
63	133504		CLUTCH ROD SECOND
64	72110614		BOLT
65	133550		SUB= 142427
66	73350600		NUT
67	133205		TRUNION
68	4497H		RETAINER M
69	127498		BUSHING
70	128759		SUB= 918128759
71	133573		CLUTCH ARM PRI AS
72	106932X		KNOB T(3/8 HOLE)
73	121748X		WASHER
74	12000029		RING
75	128903		SHOULDER BOLT
76	127845		SPRING KEEPER
77	127847		CLUTCH ARM SECOND
78	131870		RETURN SPRING
79	130840		BRAKE ASM
80	17490512		SCREW
	130794		MANDREL ASM
	131455		SUB= 142820



12.5 HP 38" TRACTOR - MODEL NUMBER CT12538B

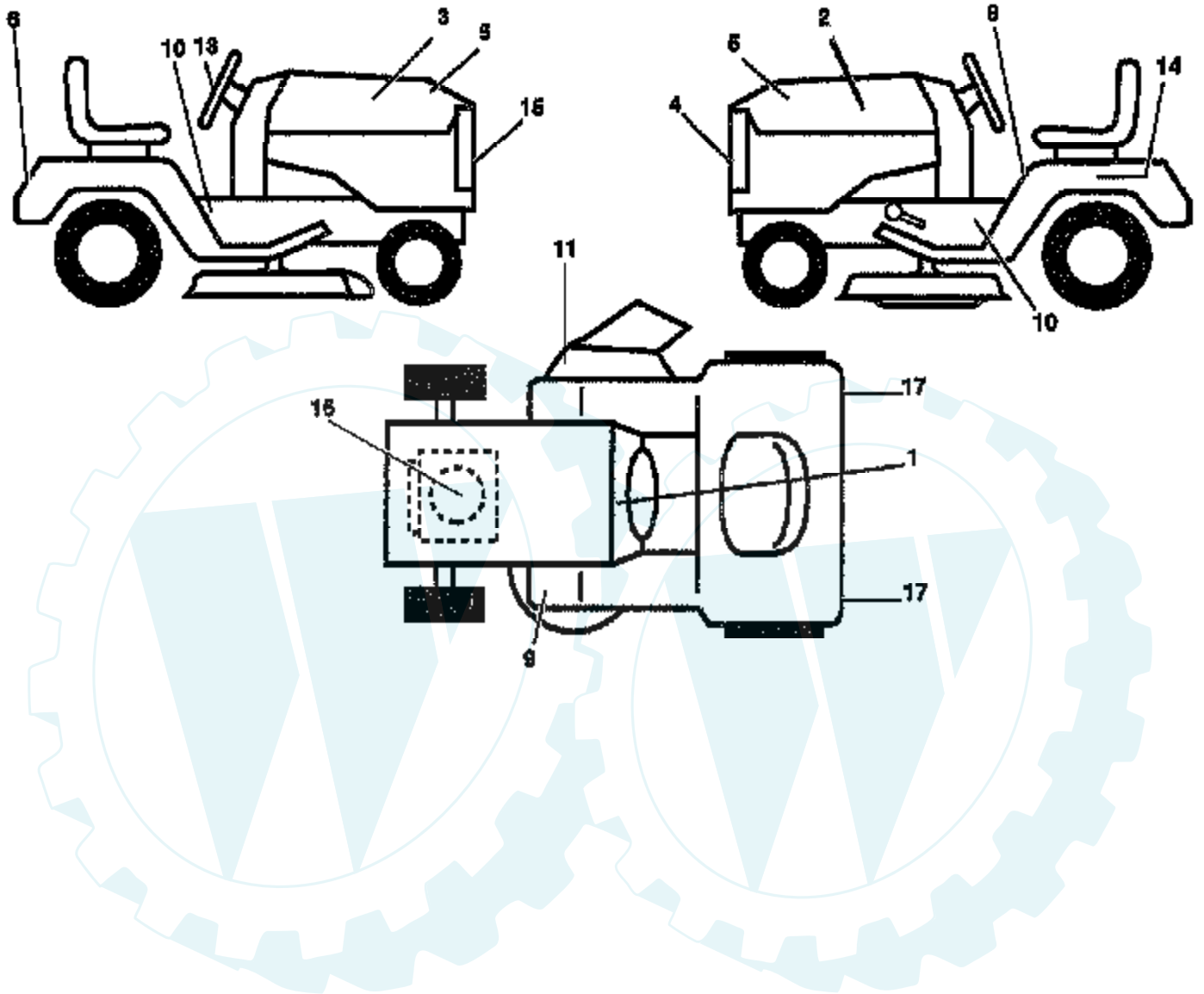
CHASSIS



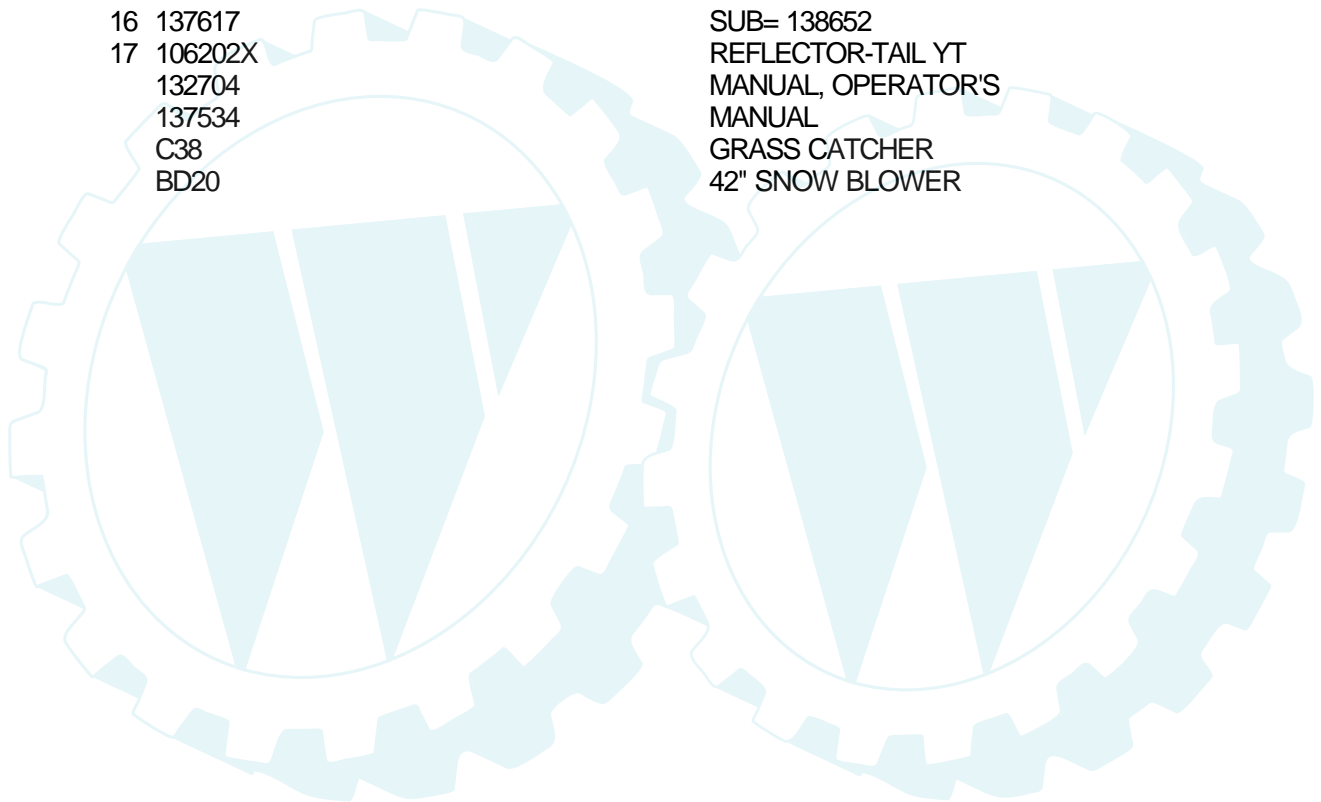
Ref #	Part Number	Qty	Description
1	135034		SUB= 145501
2	127866		DRAWBAR LT/YT
3	17490612		SCREW
4	74760612		SUB= 74780612
5	73680600		SUB= 73690600
6	124464X011		SADDLE
7	17490608		SCREW LT
8	2751R		CLIP T
9	137411X012		DASH
10	5479J		PLUG BUTTON T
11	122795X		PANEL DASH LH
12	121794X		COVER ACCESS
13	124031X012		SUB= 155934X010
14	17490608		SCREW LT
15	74180512		SCREW
16	73510500		NUT
17	133956X505		HOOD/GRILL ASM
18	126938X		SUB= 532126938
19	133954		LENS SERVICE KIT
20	132257		SUB= 918132257
21	19091216		WASHER PM
22	108067X		PAL NUT LT
23	4921H		SPRING.RETAINER
24	74760612		SUB= 74780612
25	19131312		WASHER
26	73680600		SUB= 73690600
27	17490608		SCREW LT
30	109872X505		FENDER
31	109873X		SUB= 136619
32	17490612		SCREW
33	105476X505		FOOTREST LH
34	105475X505		FOOTREST RH
35	72110606		BOLT
36	73680600		SUB= 73690600
38	134618		BRKT ASM PIVOT LH
39	134617		BRKT ASM PIVOT RH
40	72140606		BOLT
50	73800600		NUT
51	19131216		WASHER

12.5 HP 38" TRACTOR - MODEL NUMBER CT12538B

DECALS

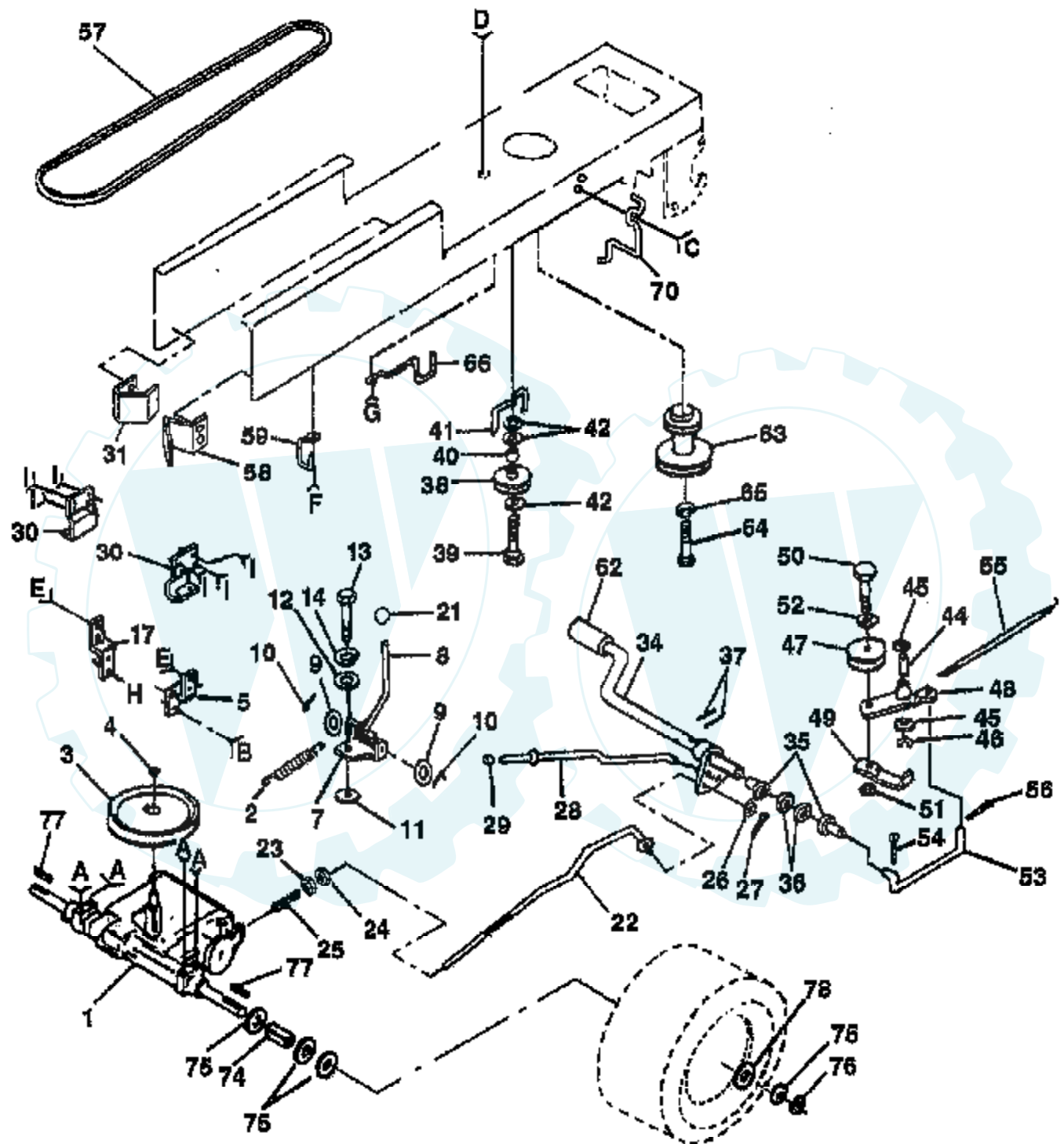


Ref #	Part Number	Qty	Description
1	136795		REFER TO IMAGE
2	136433		SUB= 138956
3	136434		NLA
4	132627		NLA
5	137452		GRILL DECAL
6	132628		"DECAL, HP HOOD"
8	133795		FENDER DECAL
9	101892X		DECAL CAUTION
10	125616X		DECAL T
11	137259		NLA
13	127075		"DECAL, WARNING"
14	121549X		"DECAL,STR WHL"
15	129823		DECAL
16	137617		NLA
17	106202X		SUB= 138652
	132704		REFLECTOR-TAIL YT
	137534		MANUAL, OPERATOR'S
	C38		MANUAL
	BD20		GRASS CATCHER
			42" SNOW BLOWER



12.5 HP 38" TRACTOR - MODEL NUMBER CT12538B

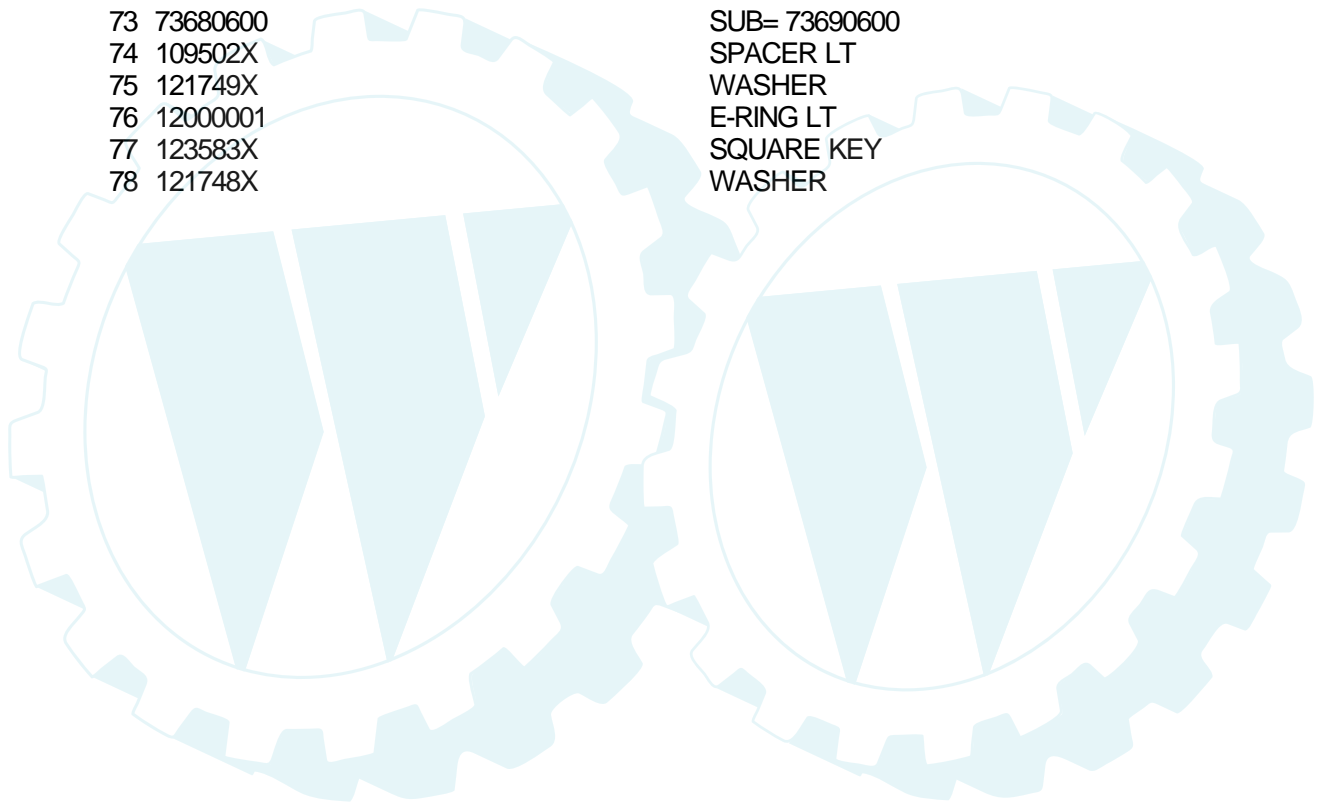
DRIVE



- | | | | | | | | | |
|----------|----------|----------|----------|----------|----------|----------|----------|----------|
| A | B | C | D | E | F | G | H | I |
| | | | | | | | | |
| 15 | 6 | 71 | 43 | 18 | 91 | 67 | 20 | 32 |
| | | | | | | | | |
| 16 | | 72 | | 19 | 60 | 65 | | 33 |
| | | | | | | | | |
| | | 73 | | | | 66 | | |

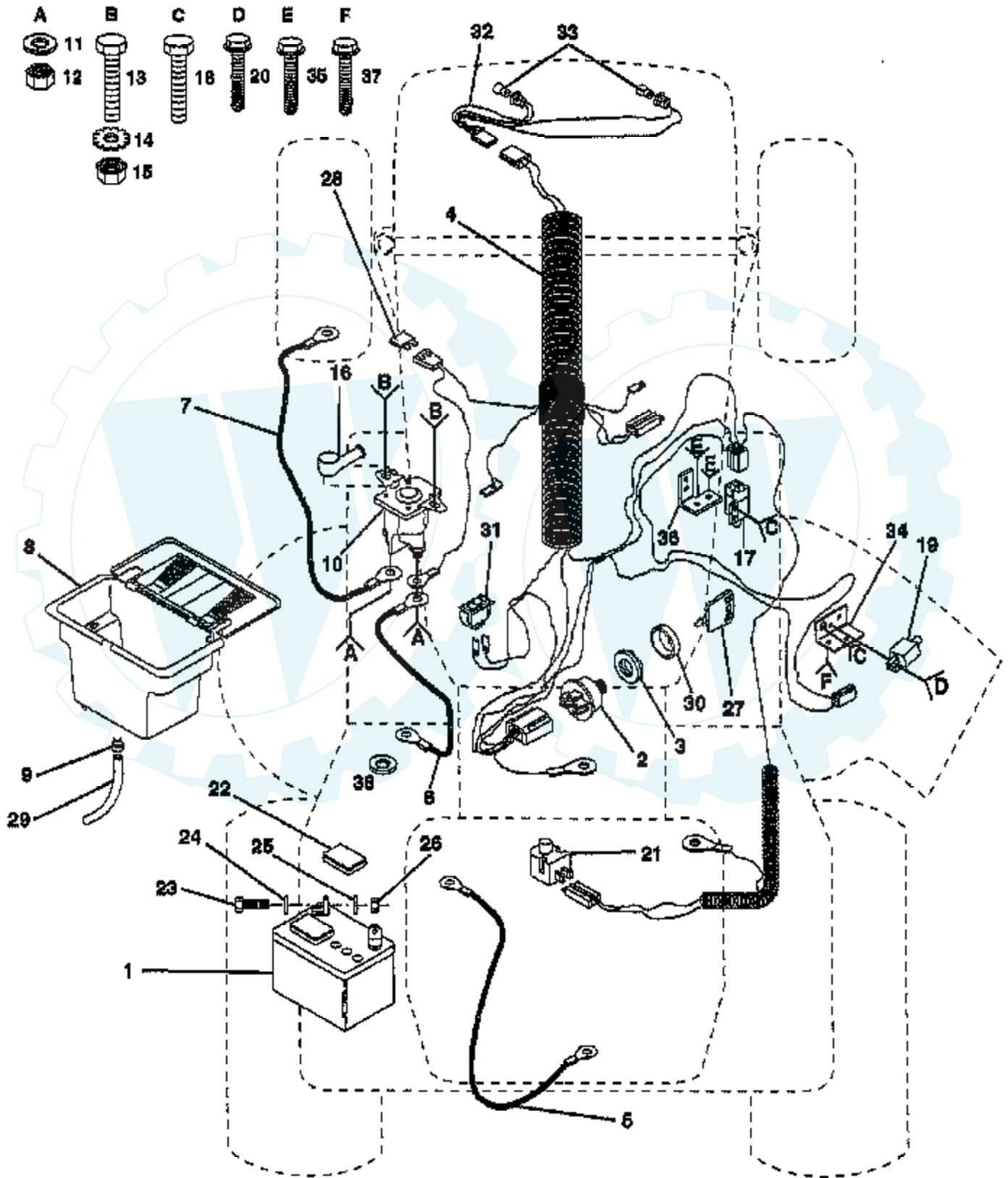
Ref #	Part Number	Qty	Description
1			CHECK WITH SUPPLIER
2	110422X		SUB= 146682
3	123666X		PULLEY TRANS
4	12000028		SUB= 2267J
5	121520X		STRAP TORQUE
6	17490512		SCREW
7	106919X		PLATE SHIFT LT
8	124461X		ROD SHIFTER
9	19151216		WASHER
10	76020416		PIN COTTER 1/8
11	105701X		WASH-SHFT PLT LT
12	19091210		WASHER LT
13	71040412		SUB= 74550412
14	10040400		LOCKWASHER
15	74760644		BOLT
16	73680600		SUB= 73690600
17	121520X		STRAP TORQUE
18	74760612		SUB= 74780612
19	73680600		SUB= 73690600
20	17490512		SCREW
21	106933X		KNOB T (1/2-HOLE)
22	131867		BRAKE ROD
23	73800600		NUT
24	73350600		NUT
25	106888X		SPRING ROD LT
26	19131316		WASHER
27	76020412		COTTER PIN
28	128904		PARKING BRAKE ROD
29	71673		PLUNGER CAP T
30	109167X		BRACKET LT
31	127275X		"KEEPER,BELT LH T"
32	74760612		SUB= 74780612
33	73680600		SUB= 73690600
34	122424X		SUB= 149001
35	120183X		NYLON BEARING
36	19211616		WASHER LT
37	1572H		SUB= 2882J
38	123674X		PULLEY.IDLER.FLAT
39	74760644		BOLT
40	4470J		SPACER T
41	109070X		BELT KEEPER LT
42	19131312		WASHER
43	73680600		SUB= 73690600
44	105706X		"LY, BEARING"
45	110812X		WASHER LT
46	12000039		KLIP RING
47	127783		SUB= 139245
48	123789X		ARM IDLER
49	123205X		RETAIN BELT
50	74760624		SUB= 74930624
51	73680600		SUB= 73690600
52	19131316		WASHER
53	105710X		"LINK, CLUTCH T"
54	76020412		COTTER PIN
55	105709X		"SPRING, RETURN LT"
56	76020412		COTTER PIN
57	125907X		BELT-V 90.0 GD DR
58	127274X		"KEEPER,BELT RH T"

Ref #	Part Number	Qty	Description
59	104777X		SUB= 140312
60	19131312		WASHER
61	17490612		SCREW
62	8883R		PEDAL COVER T
63	134825		SUB= 136004
64	71170764		BOLT
65	10040700		LOCKWASHER
66	129921		KEEPER.BELT.ENG.L
67	74760616		BOLT
68	19131312		WASHER
69	73680600		SUB= 73690600
70	134683		KEEPER BELT ENG
71	74760616		BOLT
72	19132012		WASHER
73	73680600		SUB= 73690600
74	109502X		SPACER LT
75	121749X		WASHER
76	12000001		E-RING LT
77	123583X		SQUARE KEY
78	121748X		WASHER



12.5 HP 38" TRACTOR - MODEL NUMBER CT12538B

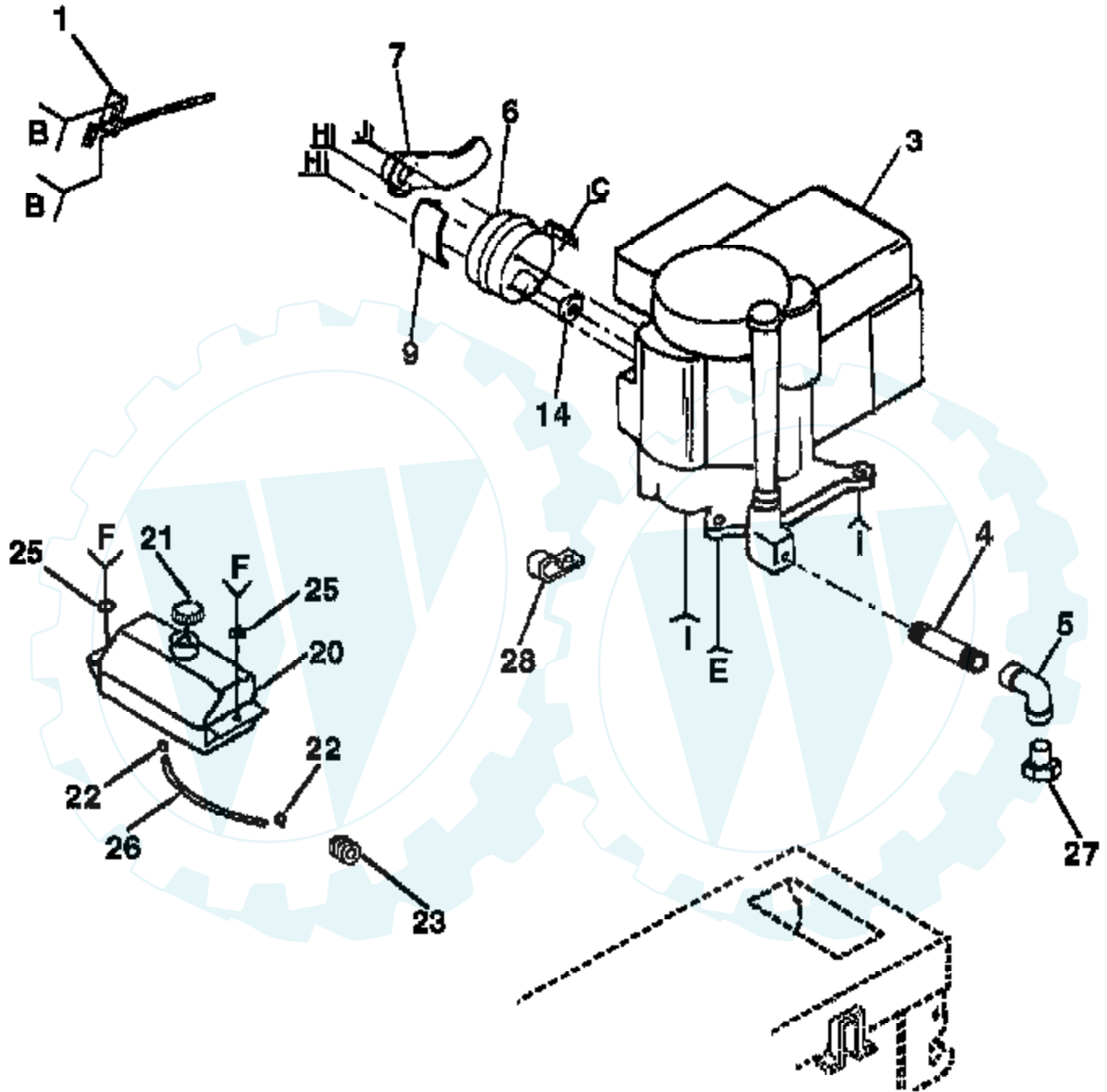
ELECTRICAL



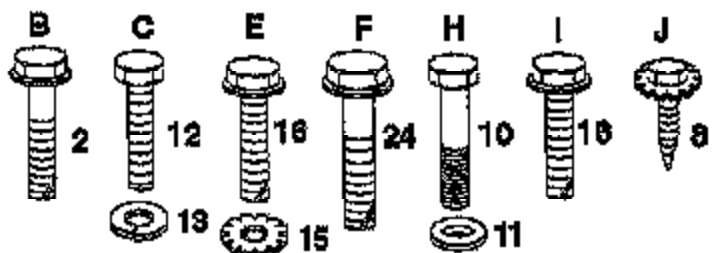
Ref #	Part Number	Qty	Description
			REFER TO IMAGE
1	121265X		SUB= 123899X
2	4406R		SUB= STD365402
3	124211X		NUT IGNITION
4	132017		IGN HARNESS
5	4207J		CABLE T
6	132202		SUB= 146147
7	4799J		"CABLE T, BATTERY"
8	129965		SUB= 156417
9	109596X		HOSE CLAMP T
10	109081X		SUB= 146154
11	10090400		SUB= 10040400
12	73350400		NUT
13	74780408		BOLT
14	11050400		LOCKWASHER
15	73510400		NUT
16	131563		SUB= 154336
17	109553X		SWITCH INTERLOCKT
18	17021008		SCREW
19	104445X		SWITCH-INTER. GT
20	17021008		SCREW
21	121305X		SWITCH SEAT
22	121264X		"CAP,BATTERY "
23	74760412		BOLT LT
24	19091016		WASHER
25	10040400		LOCKWASHER
26	73220400		SUB= 50675
27	7552H		SUB= STD365410
28	108824X		FUSE HYT
29	7697J		"DRAIN TU T, BATT"
30	123620X		SUB= 141226
31	110712X		SWITCH LT
32	136850		"HARNESS,LIGHT SOC"
33	4152J		HEADLAMP BULB
34	130890		SWITCH BRACKET
35	17021008		SCREW
36	108236X		BRACKET LT
37	17021008		SCREW
38	11150400		LOCKWASHER

12.5 HP 38" TRACTOR - MODEL NUMBER CT12538B

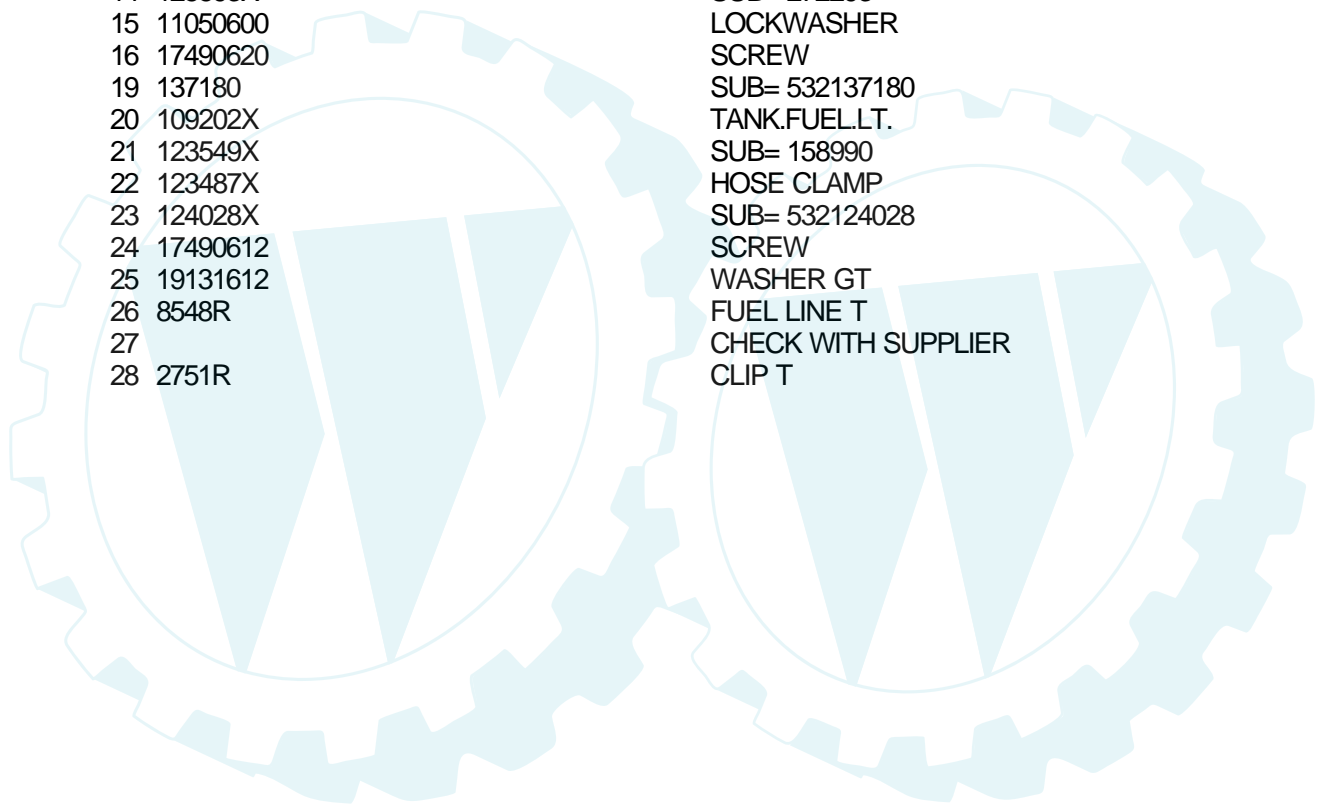
ENGINE



OPTIONAL EQUIPMENT
Spark Arrester

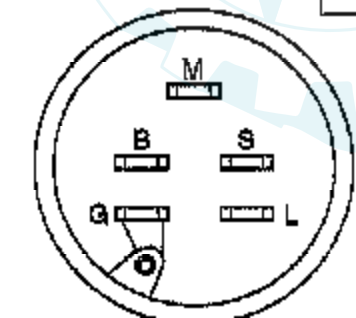
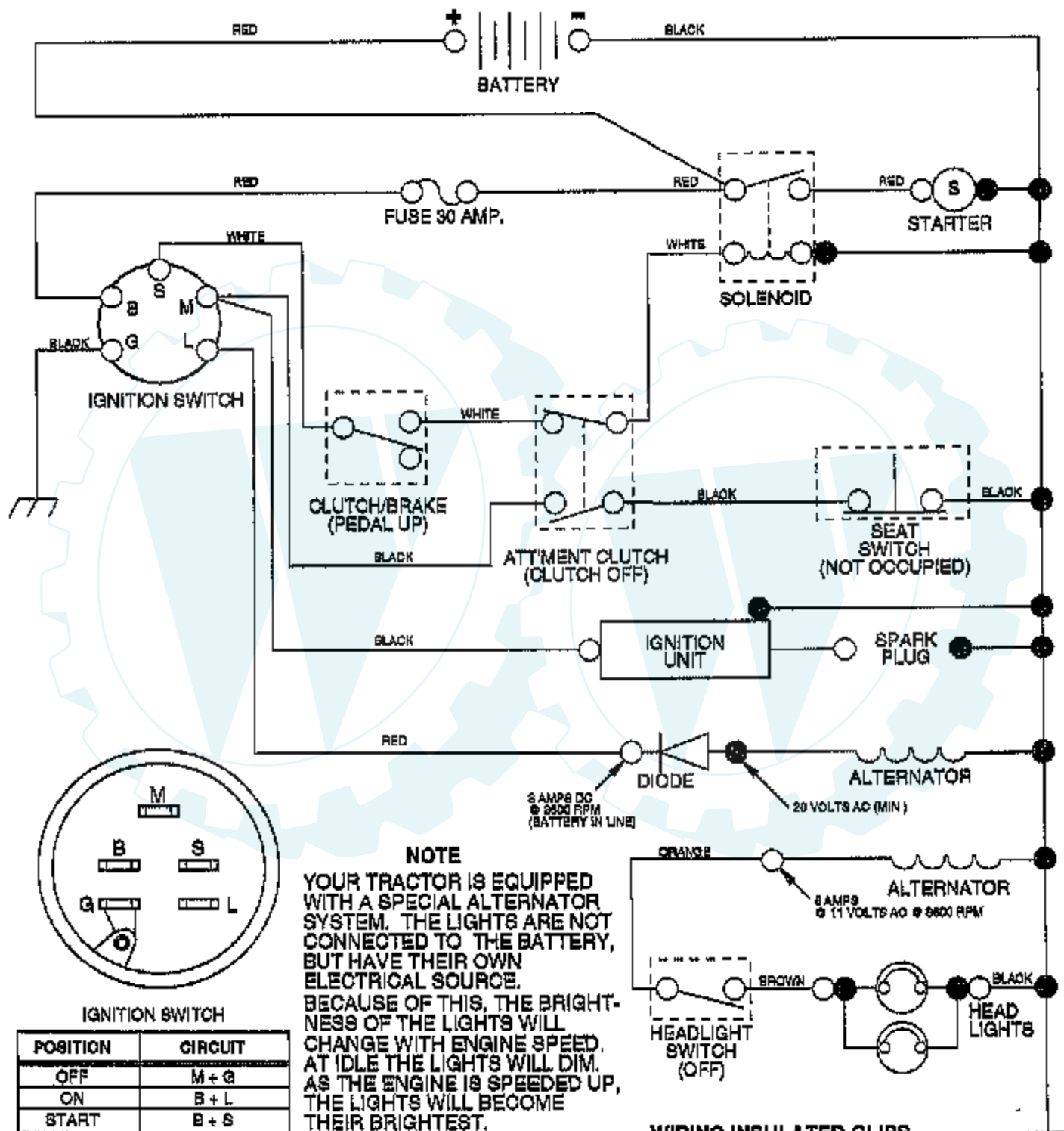


Ref #	Part Number	Qty	Description
1	132771		THROTTLE CONTROL
2	17720410		SCREW LT
3			CHECK WITH SUPPLIER
4	13280324		PIPE NIPPLE
5	13200300		ELBOW
6	101273M		MUFFLER LTV
7	108767X		DEFLECTOR MUFFLER
8	17030808		SUB= 17030814
9	101159L		SHIELD HEAT LTV
10	74780556		"BOLT,HEX"
11	19111012		WASHER T
12	74780408		BOLT
13	10040400		LOCKWASHER
14	125593X		SUB= 272293
15	11050600		LOCKWASHER
16	17490620		SCREW
19	137180		SUB= 532137180
20	109202X		TANK.FUEL.LT.
21	123549X		SUB= 158990
22	123487X		HOSE CLAMP
23	124028X		SUB= 532124028
24	17490612		SCREW
25	19131612		WASHER GT
26	8548R		FUEL LINE T
27			CHECK WITH SUPPLIER
28	2751R		CLIP T



12.5 HP 38" TRACTOR - MODEL NUMBER CT12538B

SCHEMATIC



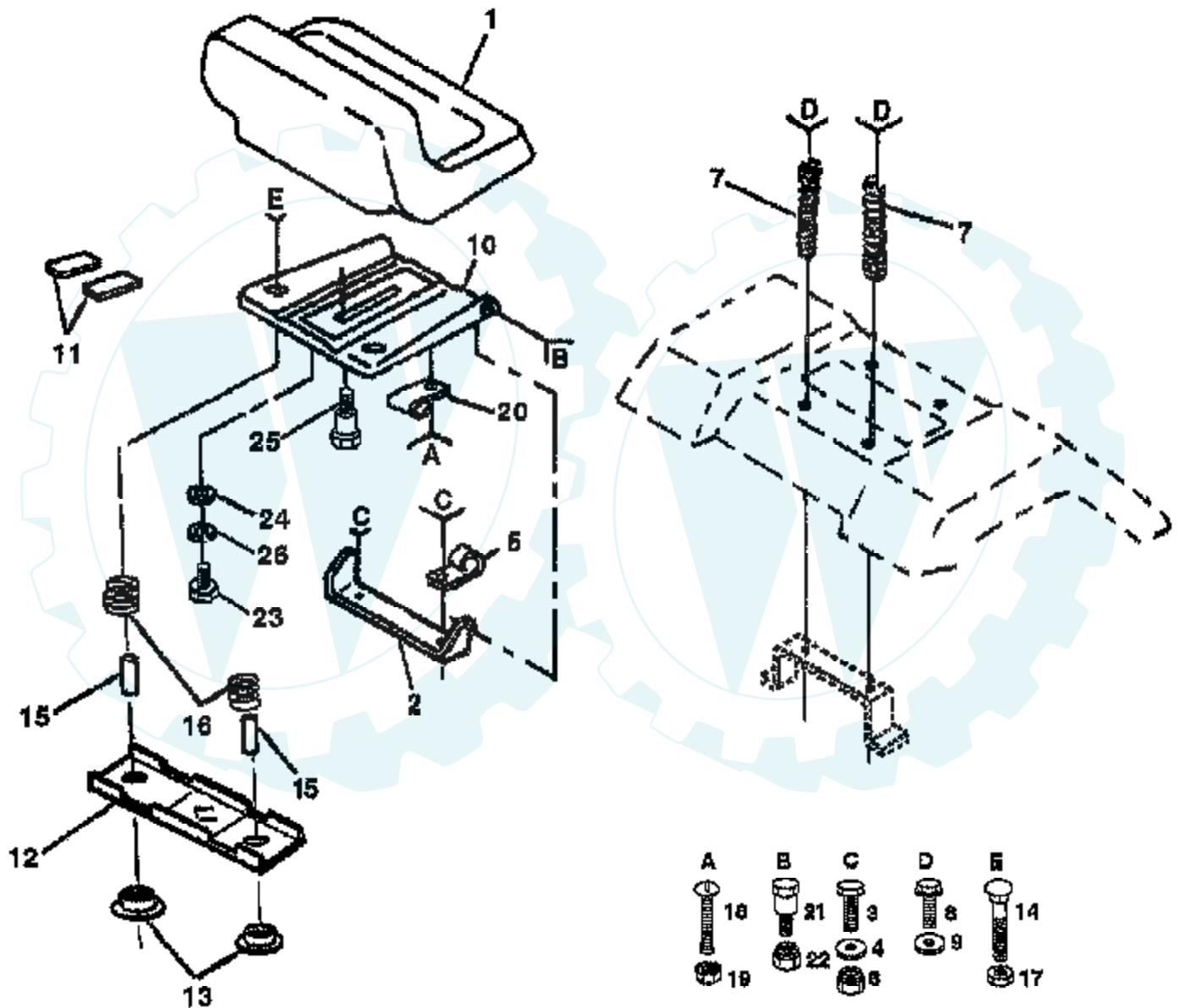
IGNITION SWITCH

POSITION	CIRCUIT
OFF	M + G
ON	B + L
START	B + S

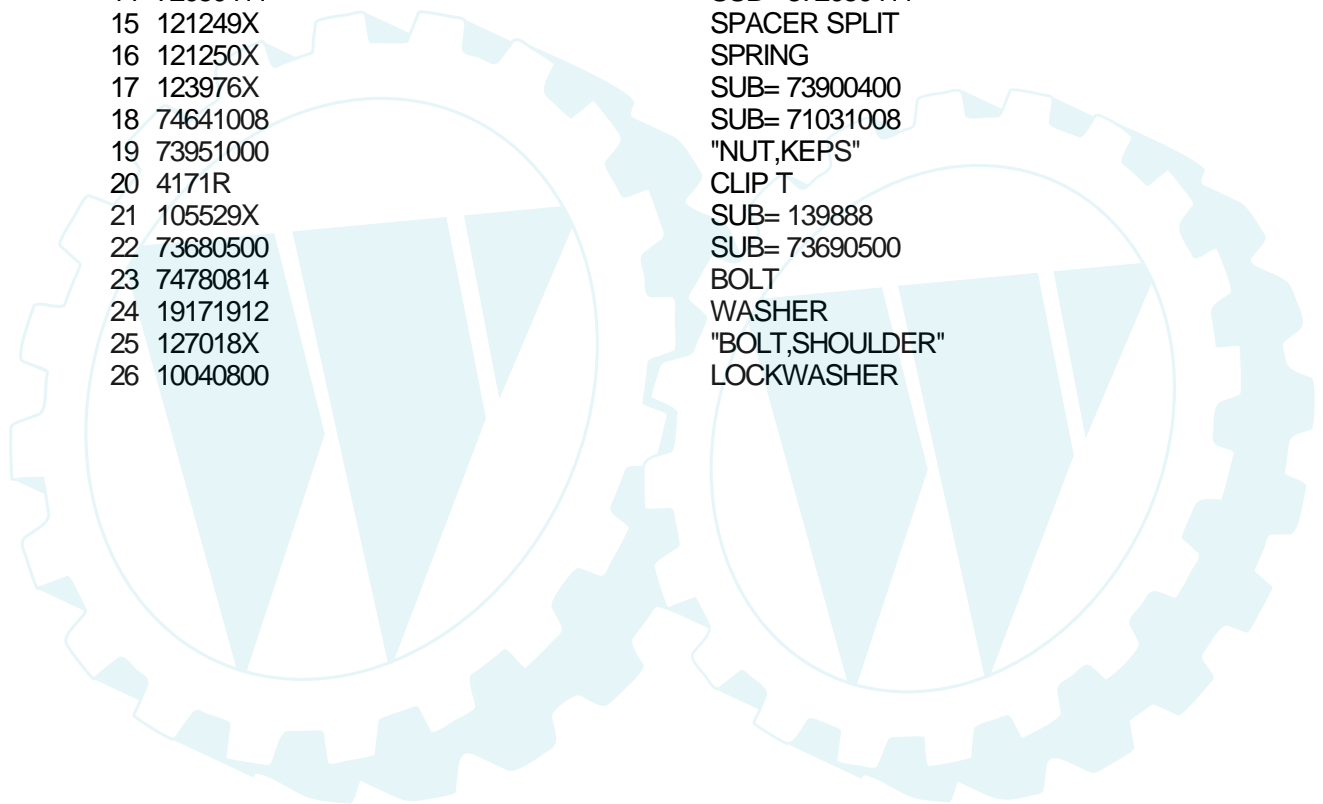
● NON-REMOVABLE CONNECTIONS ○ REMOVABLE CONNECTIONS

WIRING INSULATED CLIPS.
NOTE: If wiring insulated clips were removed for servicing of unit, they should be replaced to properly secure your wiring.

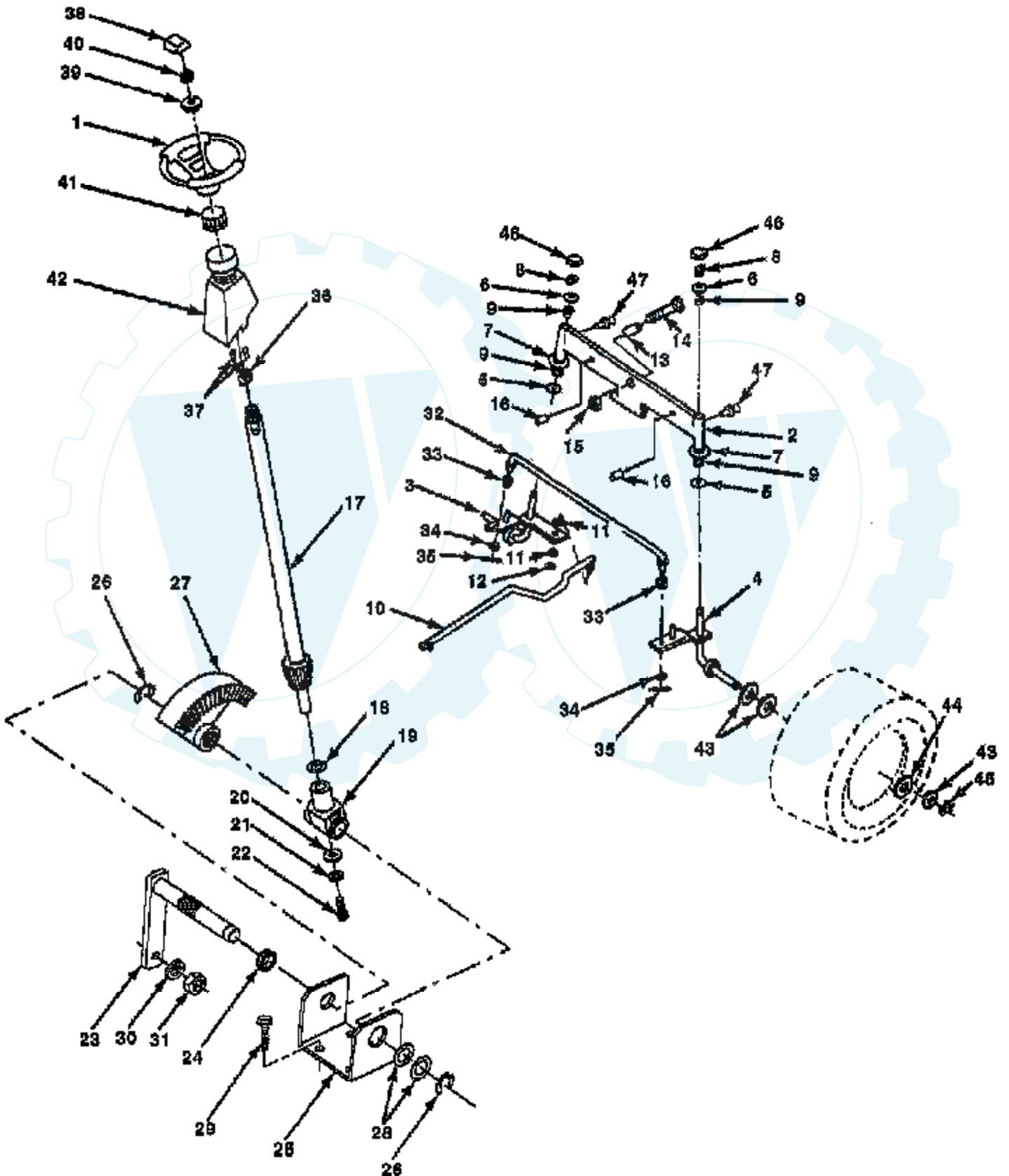
12.5 HP 38" TRACTOR - MODEL NUMBER CT12538B SEAT ASSEMBLY



Ref #	Part Number	Qty	Description
1	127422X		SUB= 140119
2	126656X		SUB= 140551
3	74760612		SUB= 74780612
4	19131210		WASHER
5	2751R		CLIP T
6	73680600		SUB= 73690600
7	124181X		SPRING COMPRESSIO
8	17490616		SCREW GTV
9	19131614		WASHER
10	131451		SUB= 155925
11	121251X		STRIP FORM
12	121246X		BRKT SWITCH
13	121248X		BUSHING
14	72050411		SUB= 872050411
15	121249X		SPACER SPLIT
16	121250X		SPRING
17	123976X		SUB= 73900400
18	74641008		SUB= 71031008
19	73951000		"NUT,KEPS"
20	4171R		CLIP T
21	105529X		SUB= 139888
22	73680500		SUB= 73690500
23	74780814		BOLT
24	19171912		WASHER
25	127018X		"BOLT,SHOULDER"
26	10040800		LOCKWASHER



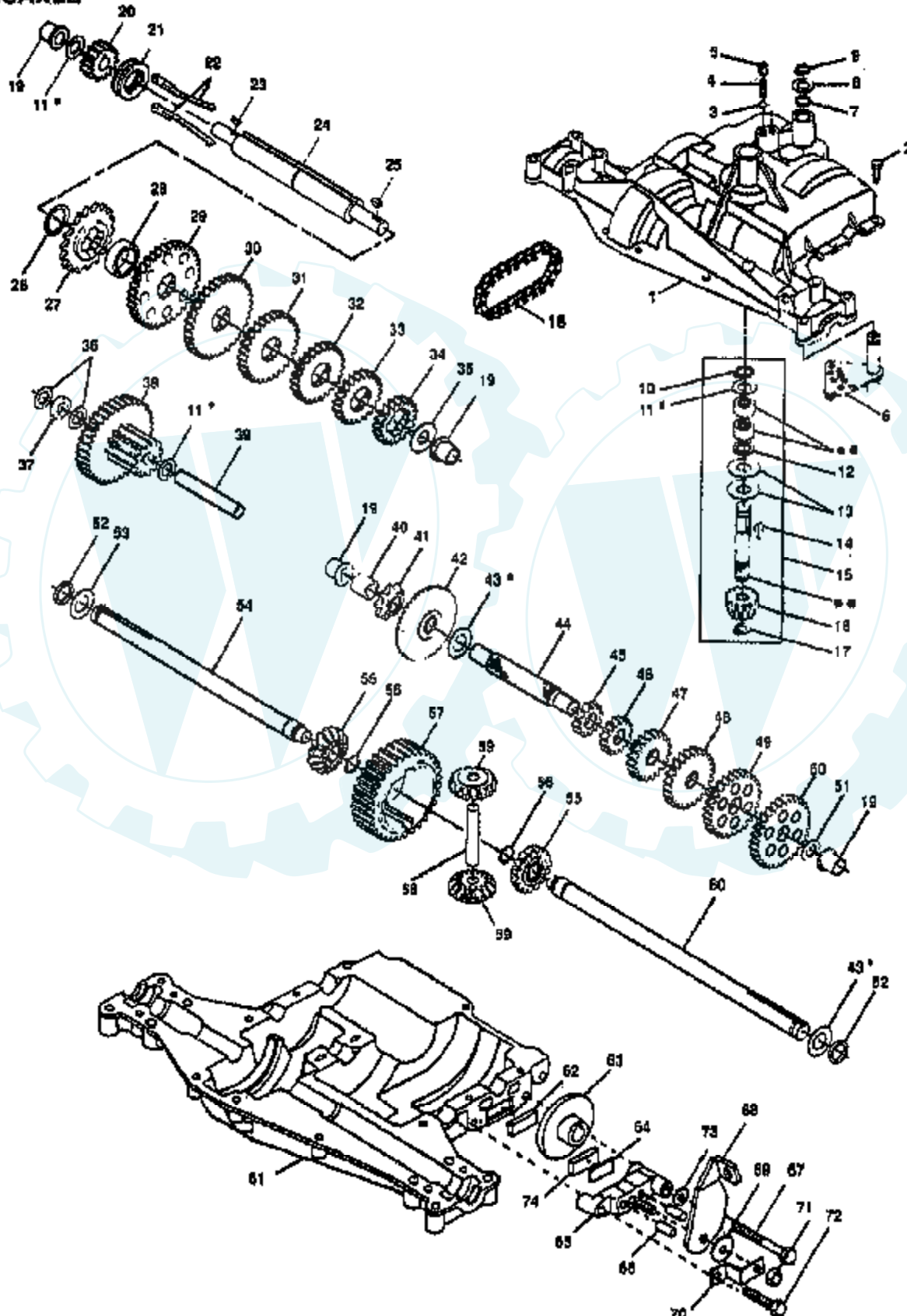
12.5 HP 38" TRACTOR - MODEL NUMBER CT12538B STEERING AND FRONT AXLE



Ref #	Part Number	Qty	Description
1	133741		SUB= 150547
2	133988		SUB= 142033
3	135227		SPINDLE LH
4	135228		SPINDLE RH
5	6266H		WASHER .T
6	121748X		WASHER
7	19272016		WASHER
8	12000029		RING
9	3366R		COL. SRTG. BEAR.
10	130468		SUB= 532130468
11	10040600		LOCKWASHER
12	73610600		SUB= 7810H
13	110438X		BEARING
14	74011056		BOLT HEX 5/8-11
15	73601000		SUB= 73901000
16	132624		AXLE PIN
17	132614		SHAFT ASM
18	57079		THRUST WASHER
19	124035X		SUPPORT.SHAFT
20	126684X		SUB= 532126684
21	10040400		LOCKWASHER
22	71070410		"SCREW,SPECIAL"
23	127501		SUB= 918127501
24	109816X		NYLINER T
25	124036X		"BRKT,STEERING"
26	12000029		RING
27	124034X		SUB= 136874
28	6266H		WASHER .T
29	17490612		SCREW
30	10040600		LOCKWASHER
31	73610600		SUB= 7810H
32	130465		TIE ROD
33	126847X		BUSHING.DRAGLINK
34	19131416		WASHER
35	76020412		COTTER PIN
36	132196		SUB= 155106
37	17431008		SUB= 98000165
38	133742		ST WHL INSERT CAP
39	19133808		WASHER T
40	7810H		GRIPCO NUT
41	104820X		ADAPTER-WHEEL LT
42	124418X		"TUBE, STR SHAFT"
43	121749X		WASHER
44	121748X		WASHER
45	12000029		RING
46	121232X		CAP
47	6855M		ZERK M

12.5 HP 38" TRACTOR - MODEL NUMBER CT12538B TRANSAXLE, DANA-MODEL NUMBER 4360-07

TRANSAXLE

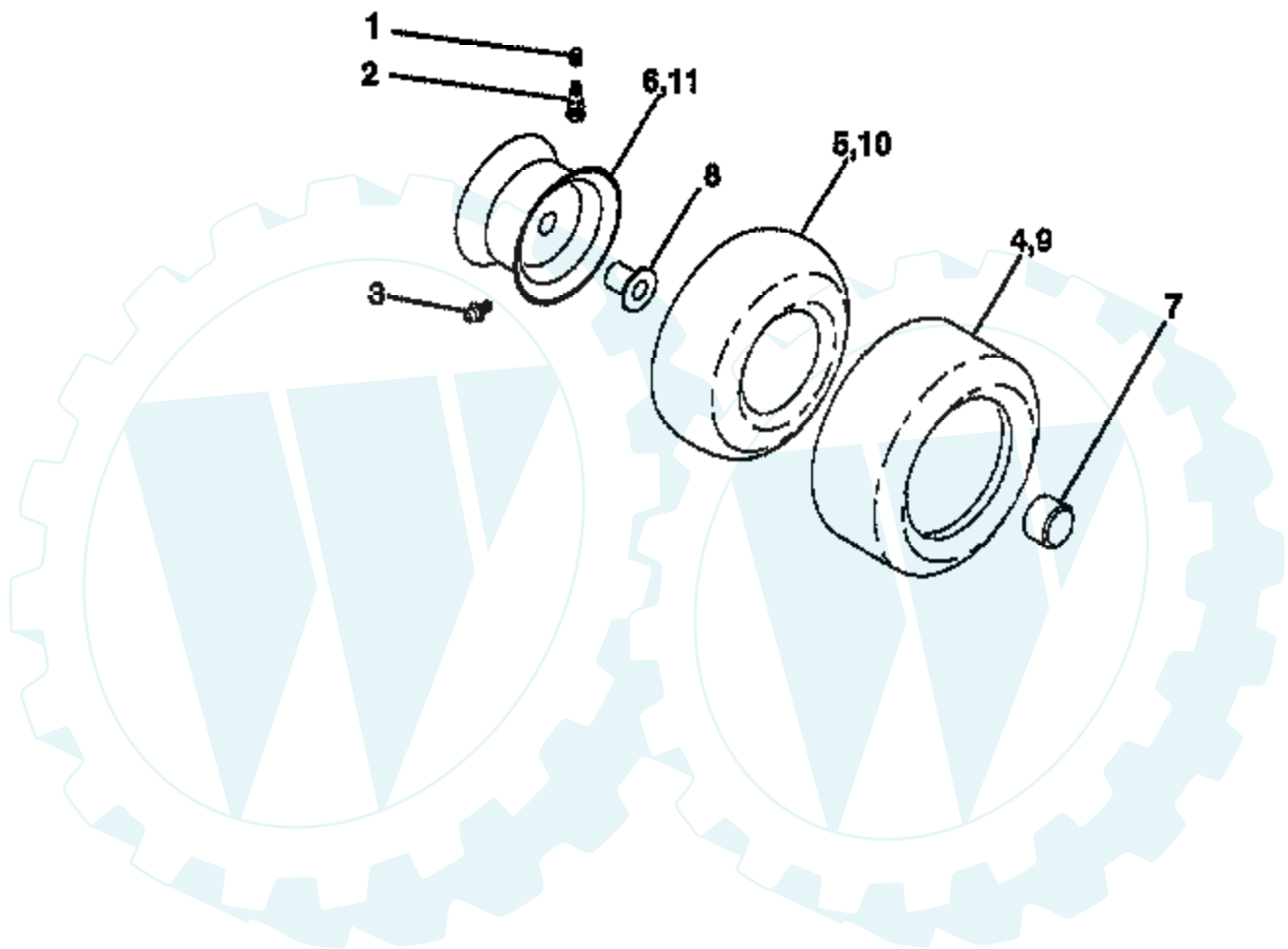


Ref #	Part Number	Qty	Description
1	3865		HOUSING UPPER
2	1919		SCREW
3	1151		BALL DETENT
4	3626		SPRING, DETENT
5	3623		SCREW, SET
6	4336		ASSY SHIFTER
7	3884		O-RING
8	3885		WASHER PLAIN
8	3886		WASHER PLAIN
8	3887		WASHER PLAIN
8	3888		WASHER PLAIN
8	3889		WASHER PLAIN
8	3121		WASHER PLAIN
8	3890		WASHER PLAIN
9	1100		RING RETAINING
10	1099		RING RETAINING
11	1959		WASHER PLAIN
11	1441		WASHER PLAIN
11	1423		WASHER, PLAIN .632 X 1.00 X .026
11	1082		WASHER PLAIN
11	1424		WASHER PLAIN
11	1068		WASHER PLAIN
11	1425		WASHER PLAIN
11	1358		WASHER PLAIN
11	1145		WASHER, PLAIN .632 X 1.00 X .060
11	1319		WASHER PLAIN
12	3312		O-RING
13	3876		WASHER, PLAIN .632 X 1.38 X .046
14	1374		KEY WOODRUFF #9
15	4134		ASSY KIT INPUT SHAFT
16	3590		PINION, BEVEL, 14 TEETH
17	3624		RING, RETAINING
18	3625		CHAIN, 24 PITCHES
19	1542		BEARING, FLANGE
20	3773		GEAR SPUR, 14 TEETH
21	3631		COLLAR CLUTCH
22	3828		KEY CLUTCH
23	1369		KEY WOODRUFF #3
24	3883		SHAFT INTERMEDIATE
25	1375		KEY, WOODRUFF, #61
26	3627		RING, RETAINING
27	3830		SPROCKET, 18 TEETH
28	3841		SPACER
29	3786		GEAR, SPUR, 37 TEETH
30	3785		GEAR, SPUR, 35 TEETH
31	3867		GEAR, SPUR, 30 TEETH
32	3783		GEAR, SPUR, 25 TEETH
33	3869		GEAR, SPUR, 22 TEETH
34	3741		GEAR SPUR
35	3628		WASHER, PLAIN .640 X 1.37 X .061
36	1423		WASHER, PLAIN .632 X 1.00 X .026
37	3422		SPACER .630 X 1.00 X .169
38	4286		ASSY GEAR COMB 12&35 TEETH
39	3877		SHAFT IDLER
40	3901		SPACER .635 X .875 X .755
41	3645		SPROCKET, 9 TEETH
42	3853		GEAR BEVEL 42 TEETH
43	3749		WASHER PLAIN

Ref #	Part Number	Qty	Description
43	3652		WASHER PLAIN
43	3693		WASHER PLAIN
43	3653		WASHER PLAIN
43	3408		WASHER PLAIN
43	3732		WASHER PLAIN
43	3184		WASHER, PLAIN .758 X 1.25 X .031
43	3733		WASHER PLAIN
43	3198		WASHER PLAIN
43	3734		WASHER PLAIN
43	3735		WASHER PLAIN
43	3736		WASHER PLAIN
43	3180		WASHER PLAIN
44	3882		SHAFT, DRIVE
45	3646		GEAR, SPUR, 12 TEETH
46	3707		GEAR SPUR, 15 TEETH
47	3866		GEAR, SPUR, 20 TEETH
48	3719		GEAR, SPUR, 25 TEETH
49	3868		GEAR, SPUR, 28 TEETH
50	3683		GEAR, SPUR, 31 TEETH
51	1145		WASHER, PLAIN .632 X 1.00 X .060
52	3191		SEAL FELT
53	3180		WASHER PLAIN
54	3880		AXLE LEFT HAND
55	3780		GEAR, MITER, 15 TEETH
56	3656		RING, RETAINING
57	3839		GEAR, SPUR, 32 TEETH
58	3919		SHAFT, CROSS
59	3781		GEAR, MITER, 15 TEETH
60	3881		AXLE, R.H.
61	3864		HOUSING LOWER
62	3920		PUCK, FRICTION
63	3276		DISC, BRAKE
64	3758		SPACER
65	3916		JAW, BRAKE
66	3843		PIN, DOWEL
67	3915		SCREW TAPPING
68	3768		LEVER, ACTUATING
69	3760		WASHER, PLAIN .321 X 1.00 X .055
70	3917		BRACKET, ANTI-ROTATION
71	3847		LOCKNUT 5/16-24
72	3724		SCREW TAPPING
73	3906		WASHER PLAIN
74	3907		PUCK, FRICTION
75	4300		GREASE

12.5 HP 38" TRACTOR - MODEL NUMBER CT12538B

WHEELS & TIRES



Ref #	Part Number	Qty	Description
1	59192		VALVE CAP
2	65139		VALVE STEM LT
3	278H		FITTING LT
4	126182X		TIRE
5	59904		TUBE.5.3/4.5/6
6	106732X311		SUB= 106732X427
7	104757X		HUB CAP
8	9040H		"FLANGE, BEARING"
9	124157X		SUB= 122073X
10	7152J		TUBE.18X9.5-8
11	106108X311		SUB= 106108X427

