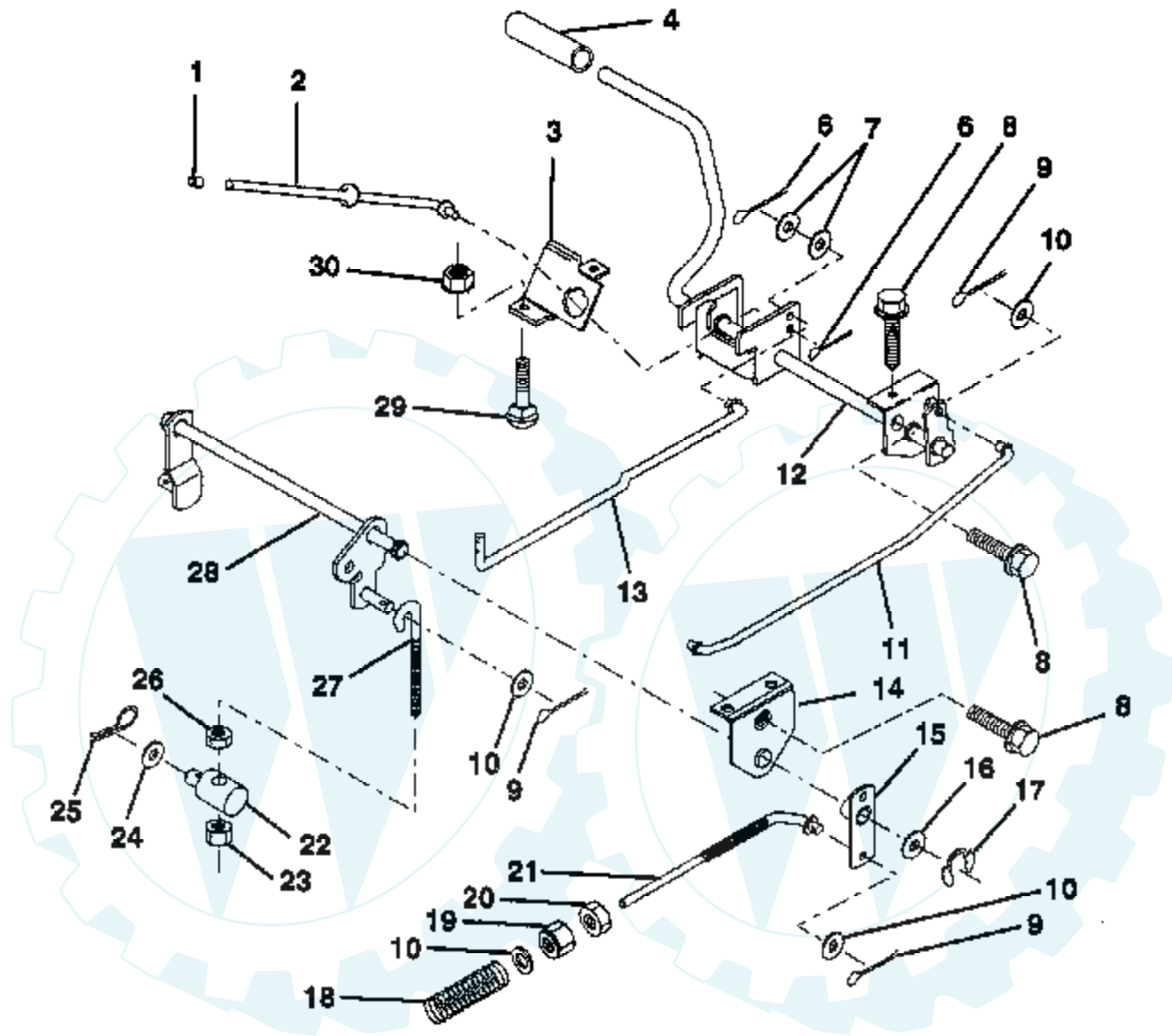


10 HP 36" LAWN RIDER - - MODEL NUMBER CT10L36A BRAKE / REAR MOWER LIFT ASSEMBLY

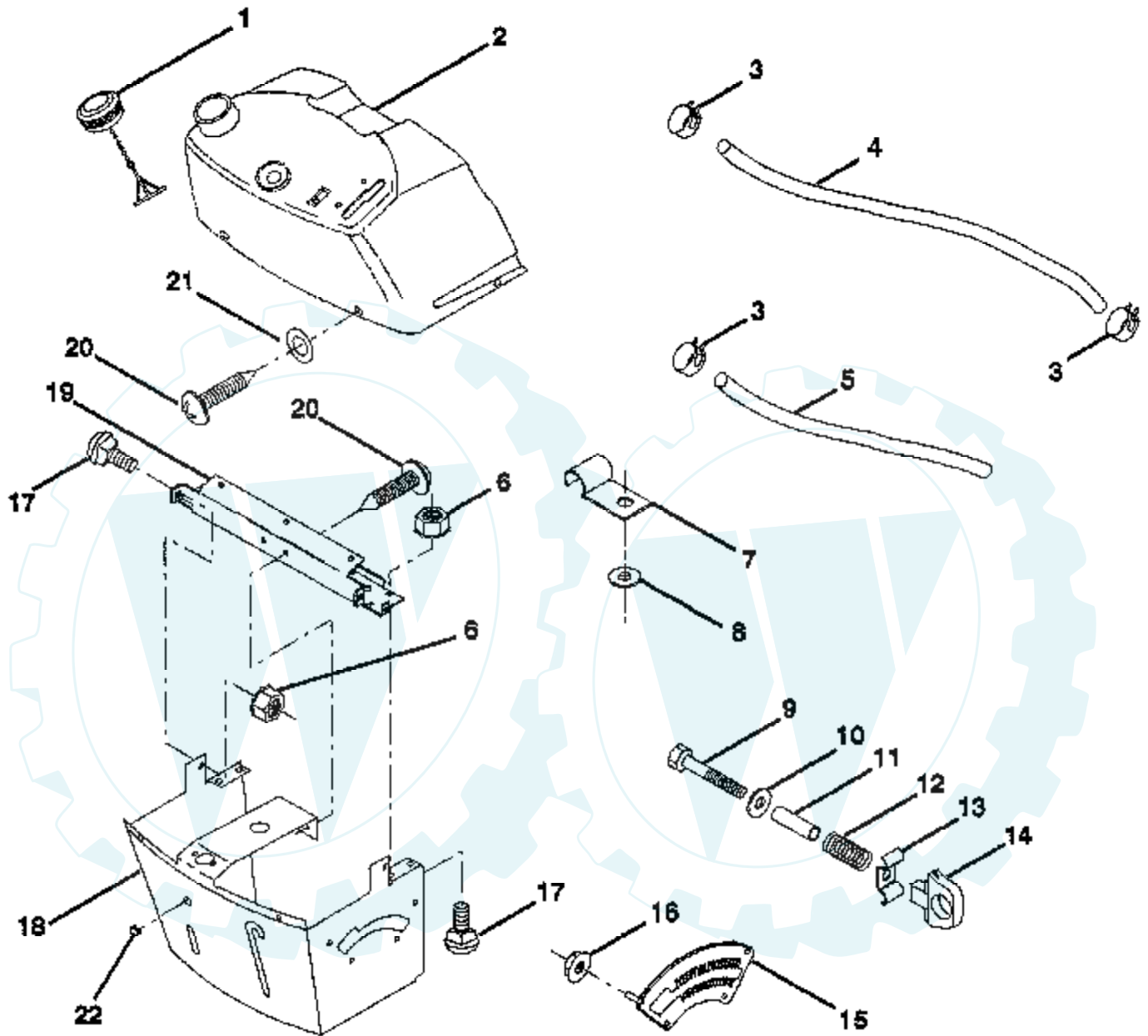


* STANDARD HARDWARE - - PURCHASE LOCALLY
NOTE: All component dimensions given in U.S. inches

Ref #	Part Number	Qty	Description
1	71673		PLUNGER CAP T
2	123436X		"ROD,PARK BRAKE"
3	123437X		"BRKT,PARK BRAKE"
4	8156H		FOOT PEDAL COVER
6	76020312		SUB= 3145
7	19131016		WASHER
8	17490508		SCREW LT
9	76020412		COTTER PIN
10	19131316		WASHER
11	131656		SUB= 136225
12	133483		SUB= 139933
13	123394X		"ROD,CLUTCH"
14	121978X		"BRKT,LIFT SHAFT"
15	133332		PVT BRAKE ARM ASM
16	19251816		WASHER T
17	12000034		KLIP RING
18	106888X		SPRING ROD LT
19	73680600		SUB= 73690600
20	73350600		NUT
21	131460		SUB= 532131460
22	127378		SUB= 144585
23	73680600		SUB= 73690600
24	19132012		WASHER
25	4921H		SPRING.RETAINER
26	73930600		LOCKNUT
27	127369		"LINK, MOWER REAR"
28	127358		SUB= 140776
29	72110506		SUB= 72270506
30	73510500		NUT

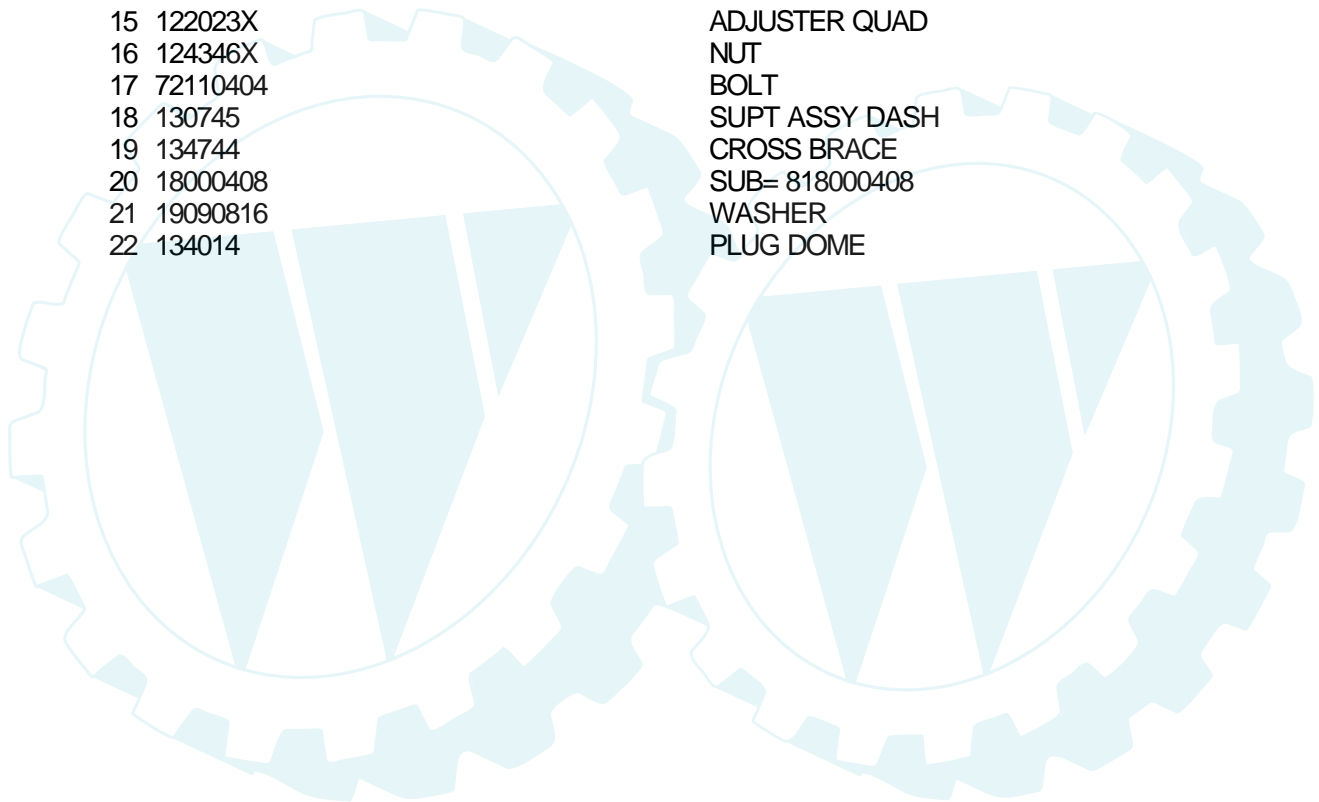
10 HP 36" LAWN RIDER - - MODEL NUMBER CT10L36A

DASH



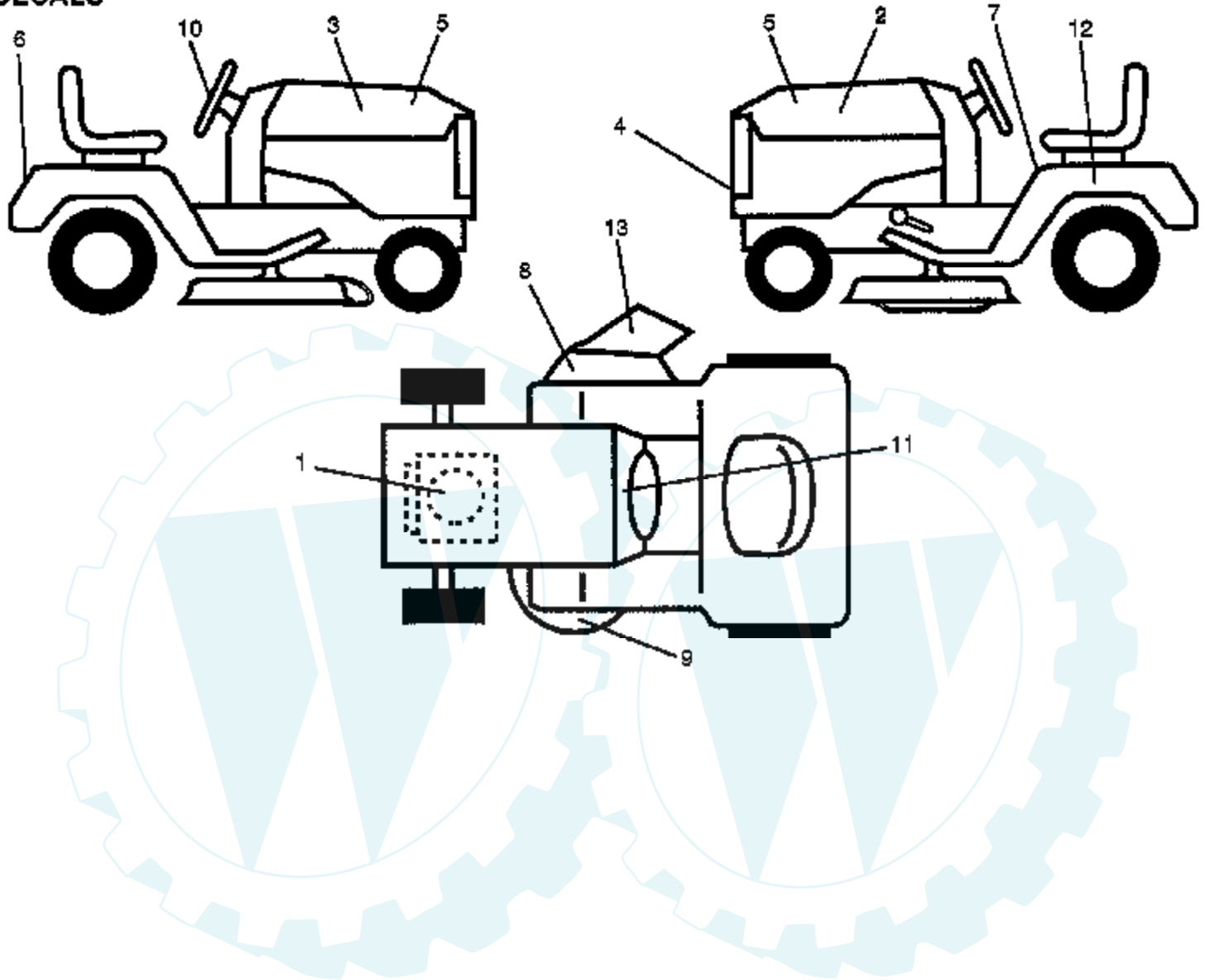
* STANDARD HARDWARE - - PURCHASE LOCALLY
NOTE: All component dimensions given in U.S. inches
1 Inch = 25.4 mm

Ref #	Part Number	Qty	Description
1	122015X		SUB= 141523
2	130913		SUB= 138393
3	123487X		HOSE CLAMP
4	8544R		SUB= 295J
5	8548R		FUEL LINE T
6	73510400		NUT
7	2751R		CLIP T
8	19091216		WASHER PM
9	74760428		BOLT
10	19091413		WASHER
11	121249X		SPACER SPLIT
12	3720R		SPRING M
13	126450X		"KNOB,HGT RETAINER"
14	126115X		KNOB
15	122023X		ADJUSTER QUAD
16	124346X		NUT
17	72110404		BOLT
18	130745		SUPT ASSY DASH
19	134744		CROSS BRACE
20	18000408		SUB= 818000408
21	19090816		WASHER
22	134014		PLUG DOME

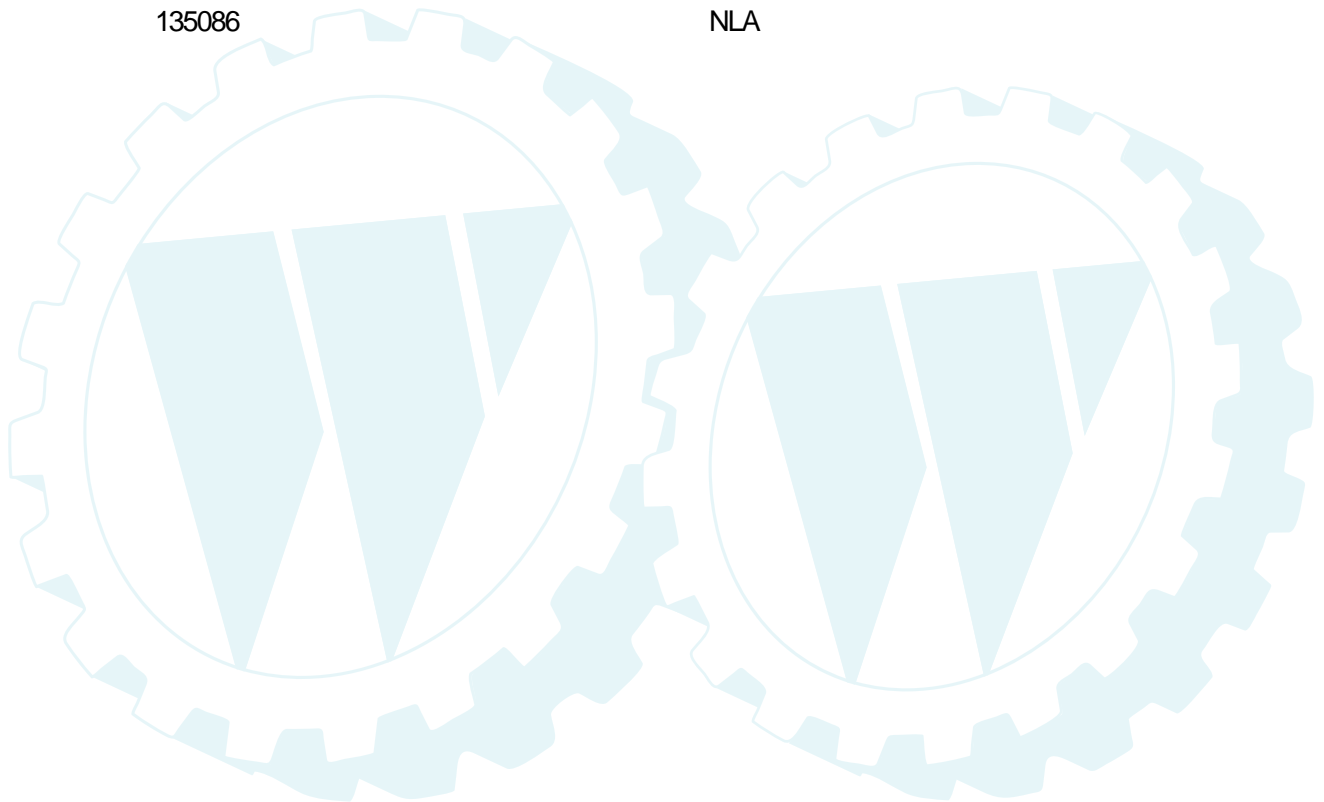


10 HP 36" LAWN RIDER - - MODEL NUMBER CT10L36A

DECALS

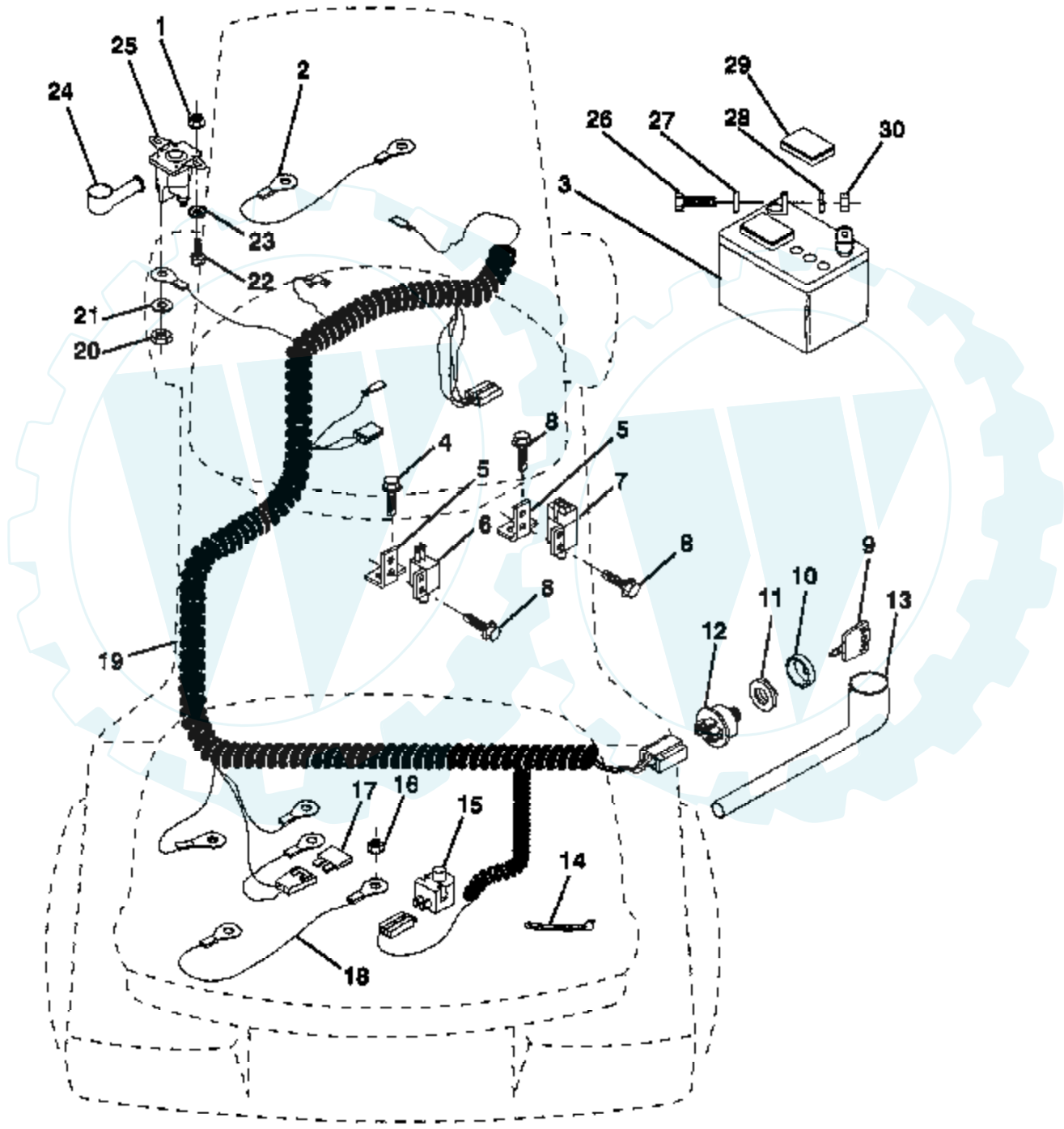


Ref #	Part Number	Qty	Description
1	126685X		DECAL.B&S.272129
2	130569		"DECAL,STP HD LH"
3	130568		"DECAL,STP HD RH"
4	127036		NLA
5	127032		NLA
6	127037		"DECAL,FENDER"
7	133796		DECAL
8	121343X		DECAL WARING
9	3713J		DECAL INSTRUCTION CAUTION
10	127075		"DECAL,STR WHL"
11	126712X		SUB= 138272
12	121549X		DECAL
13	123649X		DECAL WARNING
	133626		OPERATORS MANUAL
	135086		NLA



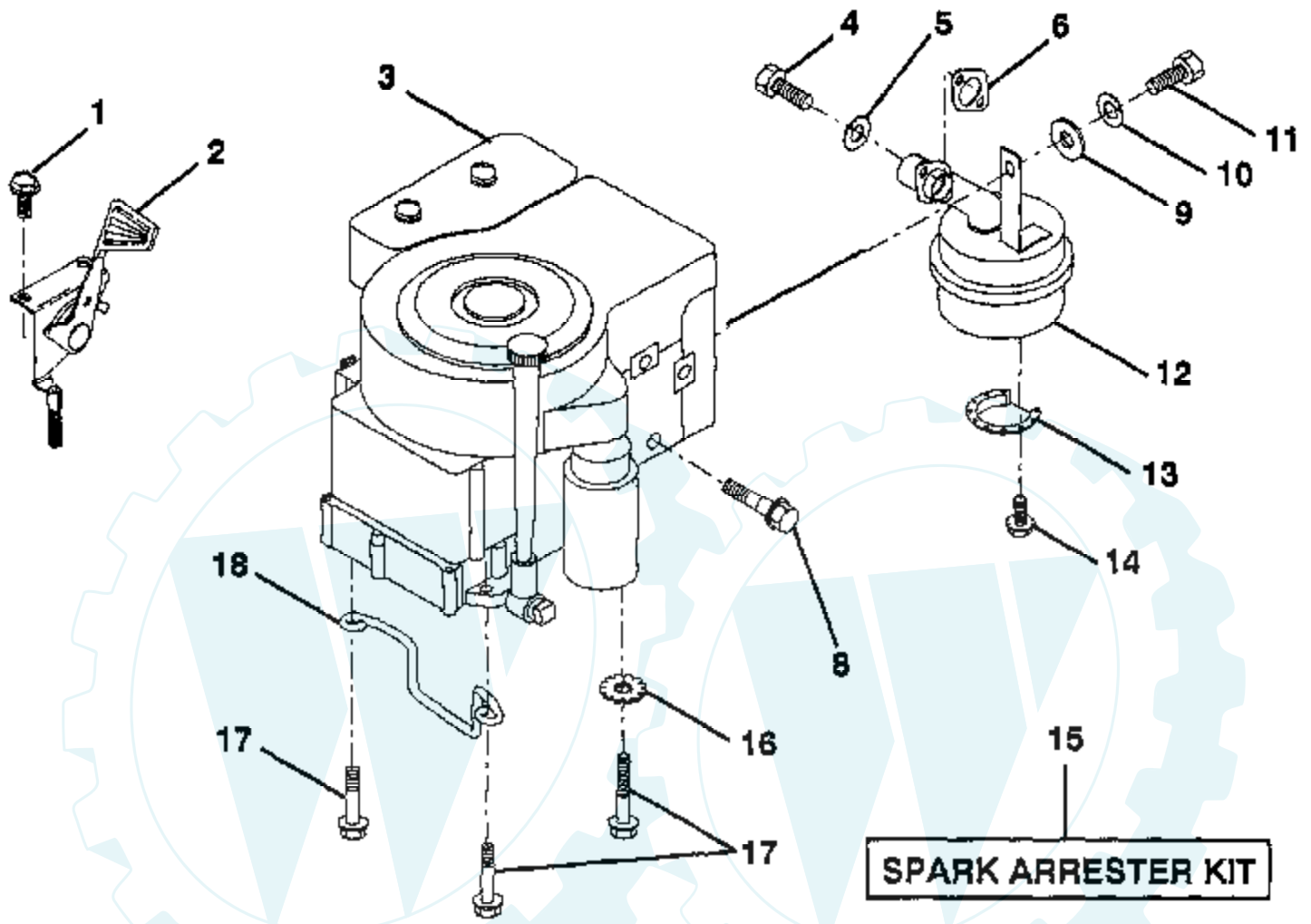
10 HP 36" LAWN RIDER - MODEL NO. CT10L36A

ELECTRICAL



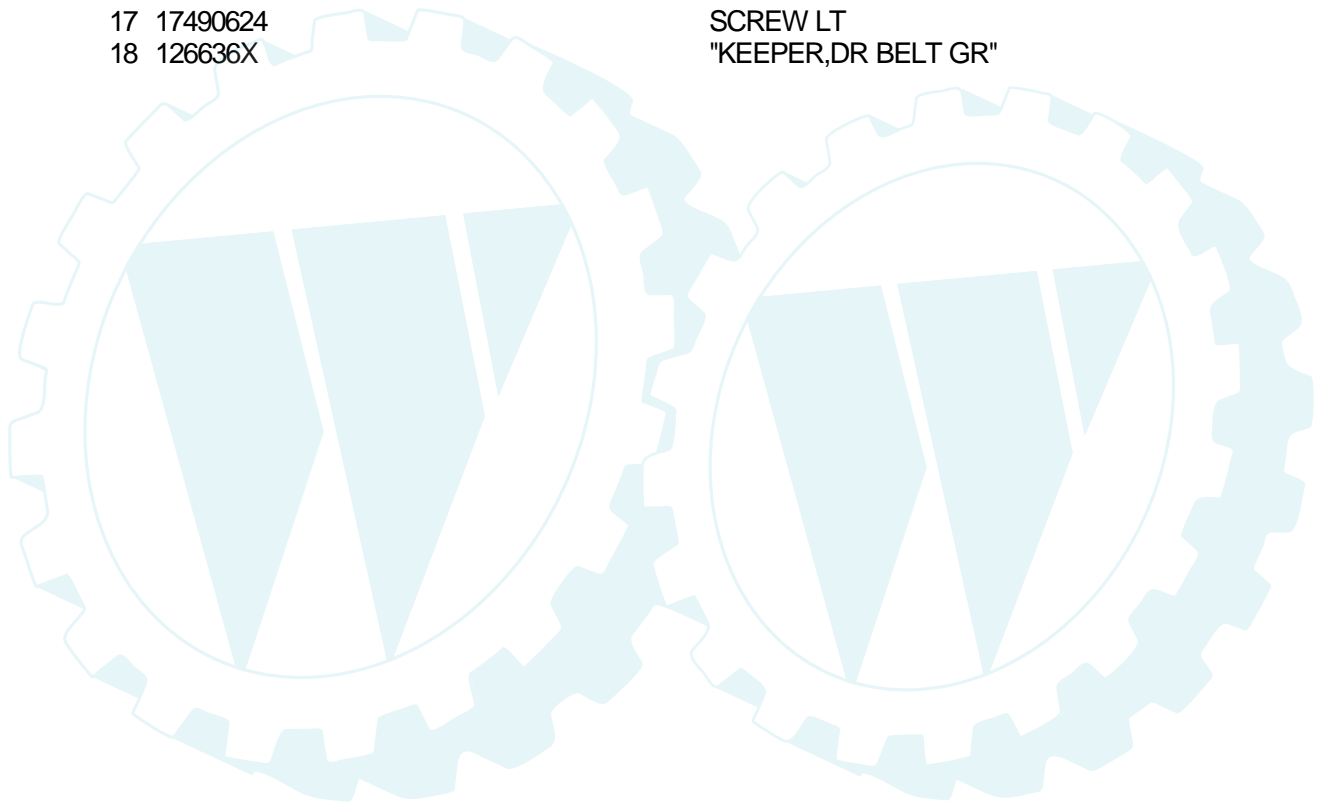
Ref #	Part Number	Qty	Description
1	73510400		NUT
2	108423X		CABLE ASM.
3	133909		SUB= 123899X
4	17211008		SCREW
5	108236X		BRACKET LT
6	104445X		SWITCH-INTER. GT
7	109553X		SWITCH INTERLOCKT
8	17021008		SCREW
9	122147X		KEY
10	123620X		SUB= 141226
11	124211X		NUT IGNITION
12	4406R		SUB= STD365402
13	124083X		COVER IGNITION SW
14	7192J		WIRE TIE
15	121305X		SWITCH SEAT
16	73510500		NUT
17	108824X		FUSE HYT
18	128353		CABLE ASSY
19	132223		SUB= 532132223
20	73350400		NUT
21	10090400		SUB= 10040400
22	74780408		BOLT
23	11050400		LOCKWASHER
24	131563		SUB= 154336
25	109081X		SUB= 146154
26	74760412		BOLT LT
27	19091016		WASHER
28	10040400		LOCKWASHER
29	121264X		"CAP,BATTERY "
30	73220400		SUB= 50675

10 HP 36" LAWN RIDER - - MODEL NUMBER CT10L36A
ENGINE / THROTTLE

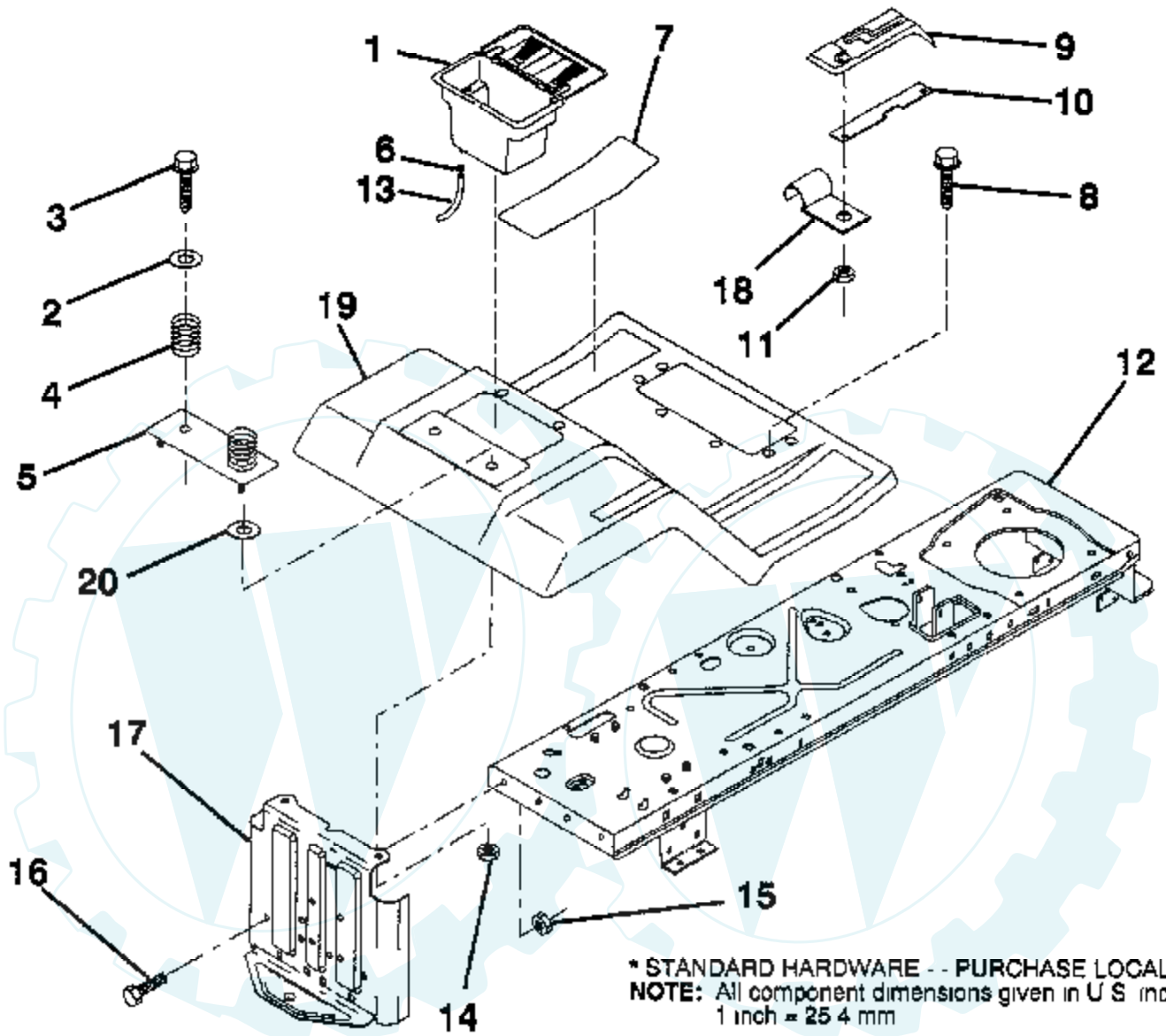


* STANDARD HARDWARE - - PURCHASE LOCALLY
NOTE: All component dimensions given in U.S. Inches
1 Inch = 25.4 mm

Ref #	Part Number	Qty	Description
1	17720408		SCREW
2	132521		THROTTLE CONTROL
3			REFER TO IMAGE
4	71070512		SCREW
5	10040500		LOCKWASHER
6	125593X		SUB= 272293
9	19101216		WASHER
10	10040400		LOCKWASHER
11	74780412		SUB= 74780414
12	124097X		MUFFLER
13	101326L		DEFLECTOR.222573
14	17030808		SUB= 17030814
15	121851X		SUB= 532137180
16	11050600		LOCKWASHER
17	17490624		SCREW LT
18	126636X		"KEEPER,DR BELT GR"

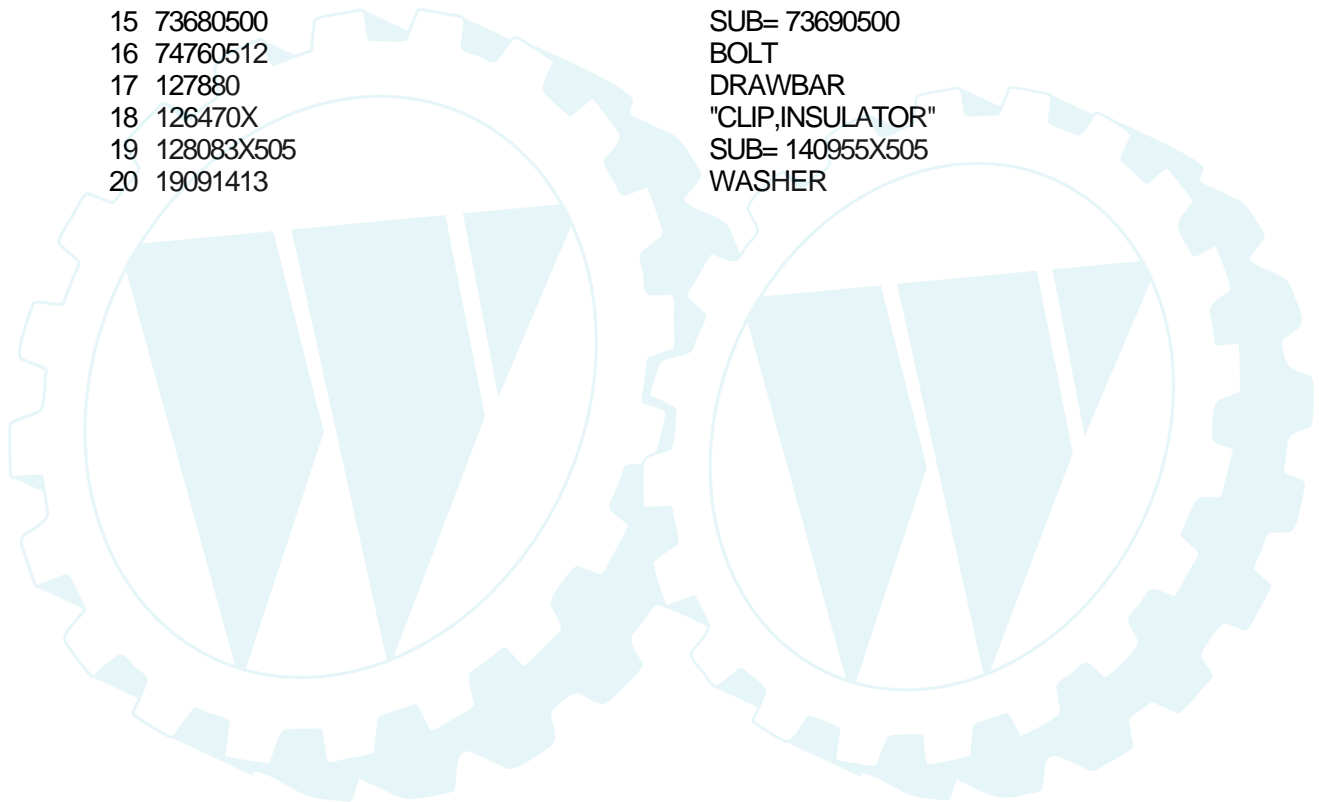


10 HP 36" LAWN RIDER - - MODEL NUMBER CT10L36A FENDER / CHASSIS



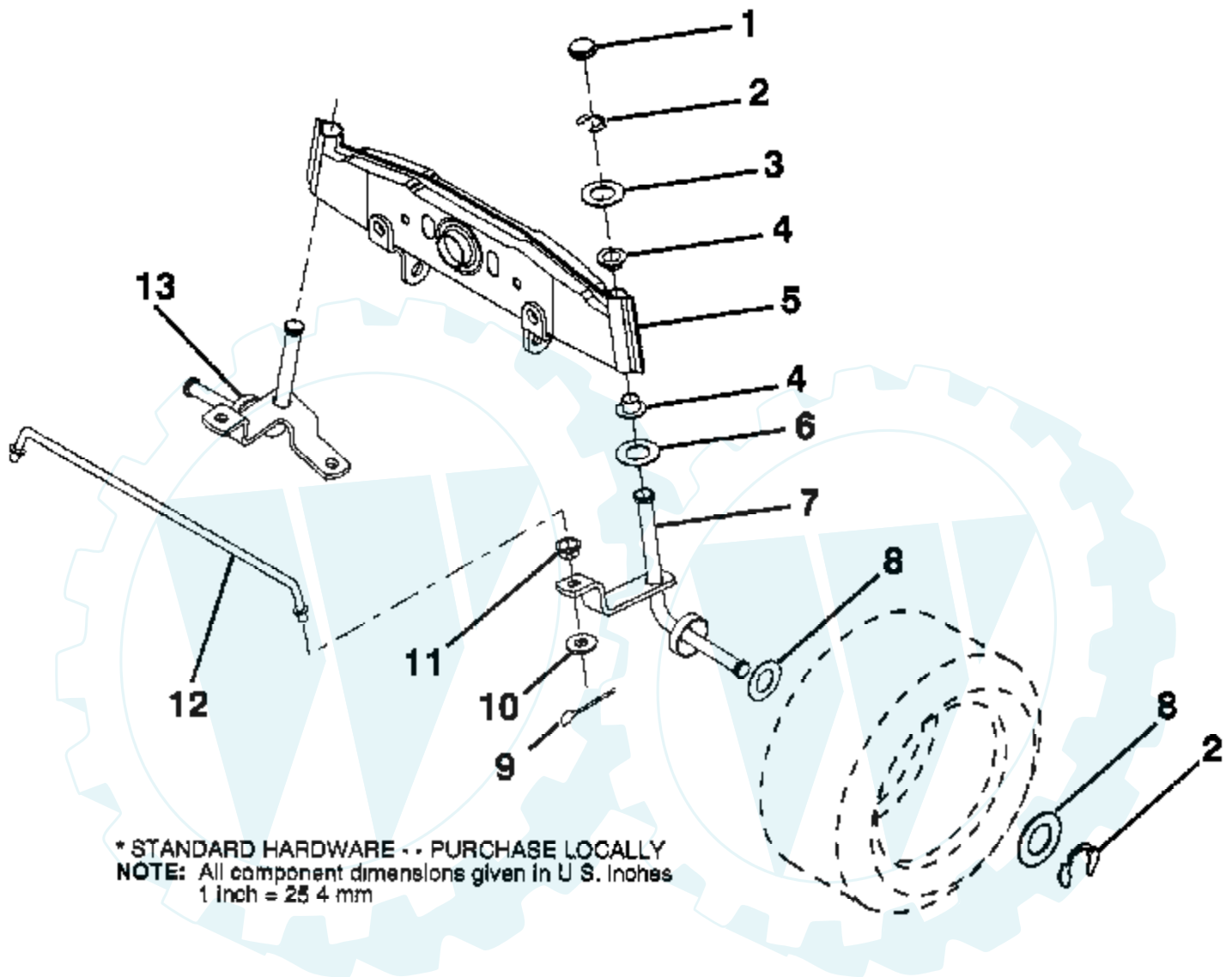
* STANDARD HARDWARE - - PURCHASE LOCALLY
NOTE: All component dimensions given in U S inches
1 inch = 25.4 mm

Ref #	Part Number	Qty	Description
1	129965		SUB= 156417
2	19132012		WASHER
3	17490612		SCREW
4	124181X		SPRING COMPRESSIO
5	127115X505		BTRY FENDER PLATE
6	109596X		HOSE CLAMP T
7	124144X		PAD FOOTREST
8	17490512		SCREW
9	126993X		CONSOLE SHFT 4SP
10	124602X		SUB= 139783
11	124346X		NUT
12	131880		CHASSIS
13	105687X		SUB= 109238X
14	73510400		NUT
15	73680500		SUB= 73690500
16	74760512		BOLT
17	127880		DRAWBAR
18	126470X		"CLIP,INSULATOR"
19	128083X505		SUB= 140955X505
20	19091413		WASHER



10 HP 36" LAWN RIDER - - MODEL NUMBER CT10L36A

FRONT AXLE

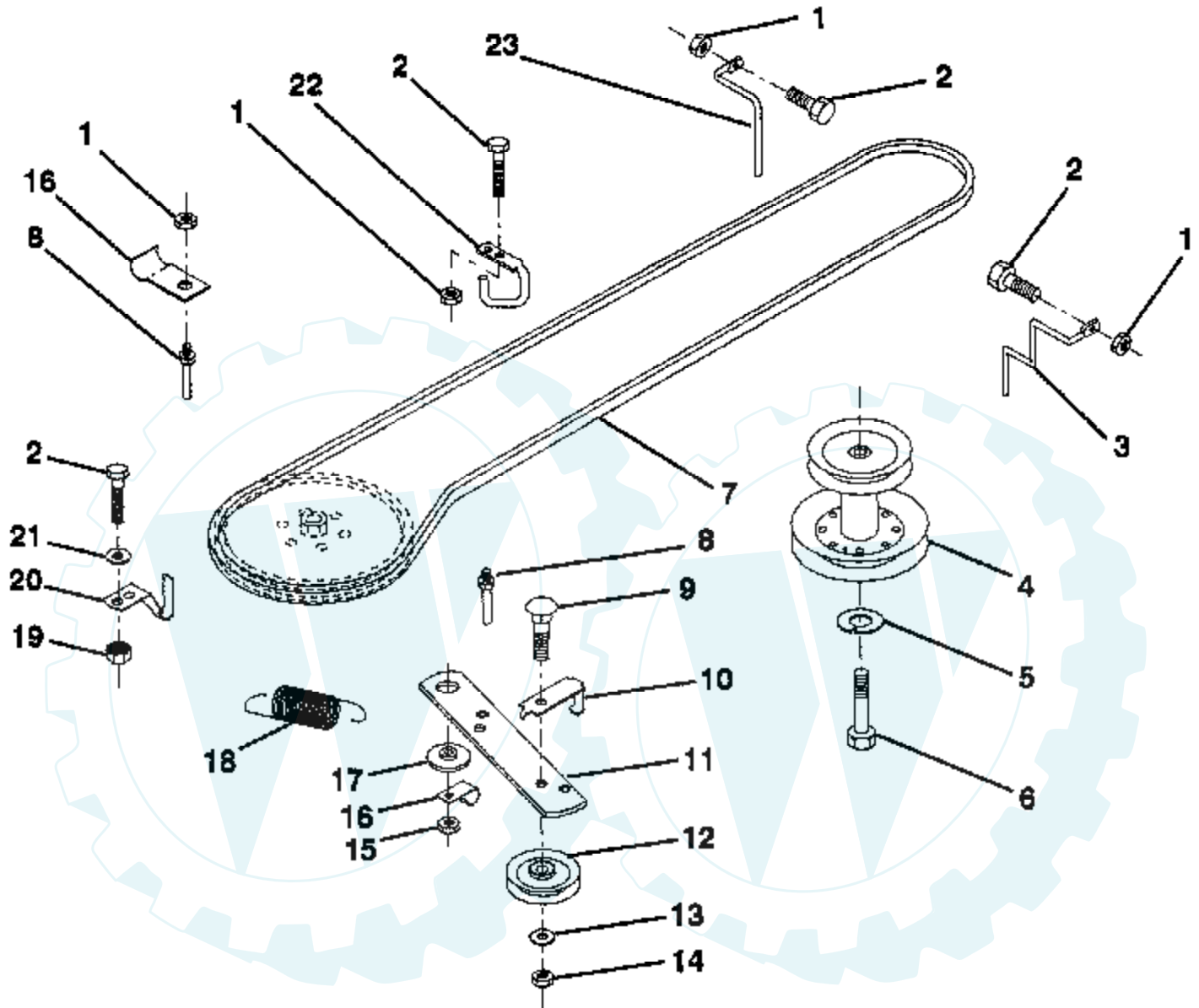


Ref #	Part Number	Qty	Description
1	121232X		CAP
2	12000029		RING
3	121748X		WASHER
4	121922X		NYLINER
5	121914X		AXLE FRONT
6	6266H		WASHER .T
7	121919X		SPINDLE RH
8	121749X		WASHER
9	76020412		COTTER PIN
10	19131316		WASHER
11	126847X		BUSHING.DRAGLINK
12	121924X		ROD TIE
13	121916X		SPINDLE LH



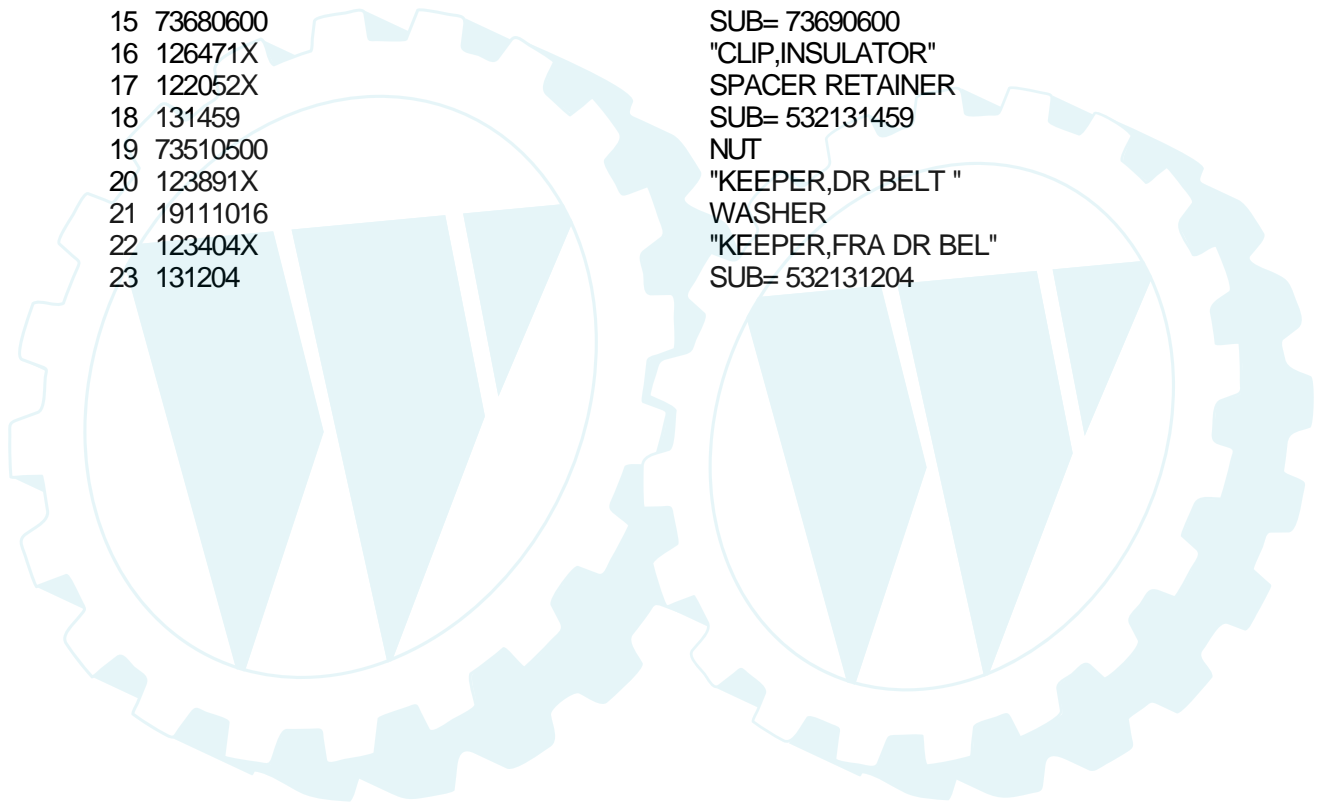
10 HP 36" LAWN RIDER - - MODEL NUMBER CT10L36A

GROUND DRIVE



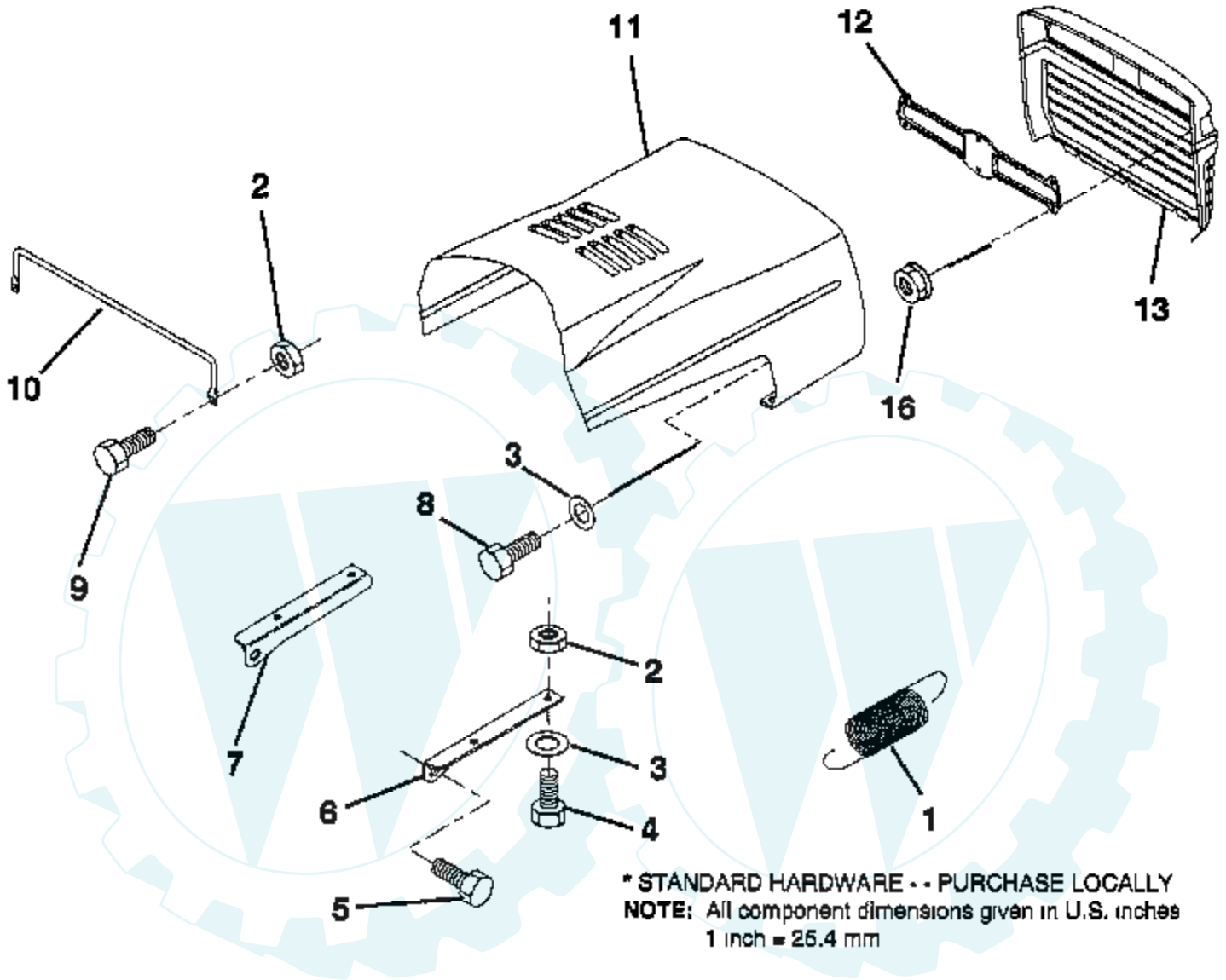
* STANDARD HARDWARE - - PURCHASE LOCALLY
NOTE: All component dimensions given in U.S. inches
1 inch = 25.4 mm

Ref #	Part Number	Qty	Description
1	73680500		SUB= 73690500
2	74760512		BOLT
3	131205		SUB= 532131205
4	134828		SUB= 138029
5	10040700		LOCKWASHER
6	71170744		HEX BOLT
7	124525X		BELT
8	123405X		"KEEPER,DRIVE BELT"
9	72140612		BOLT
10	123396X		"KEEP,IDLER DR BEL "
11	123395X		SUB= 140911
12	4859J		SUB= 123674X
13	19131316		WASHER
14	73930600		LOCKNUT
15	73680600		SUB= 73690600
16	126471X		"CLIP,INSULATOR"
17	122052X		SPACER RETAINER
18	131459		SUB= 532131459
19	73510500		NUT
20	123891X		"KEEPER,DR BELT "
21	19111016		WASHER
22	123404X		"KEEPER,FRA DR BEL "
23	131204		SUB= 532131204



10 HP 36" LAWN RIDER - - MODEL NUMBER CT10L36A

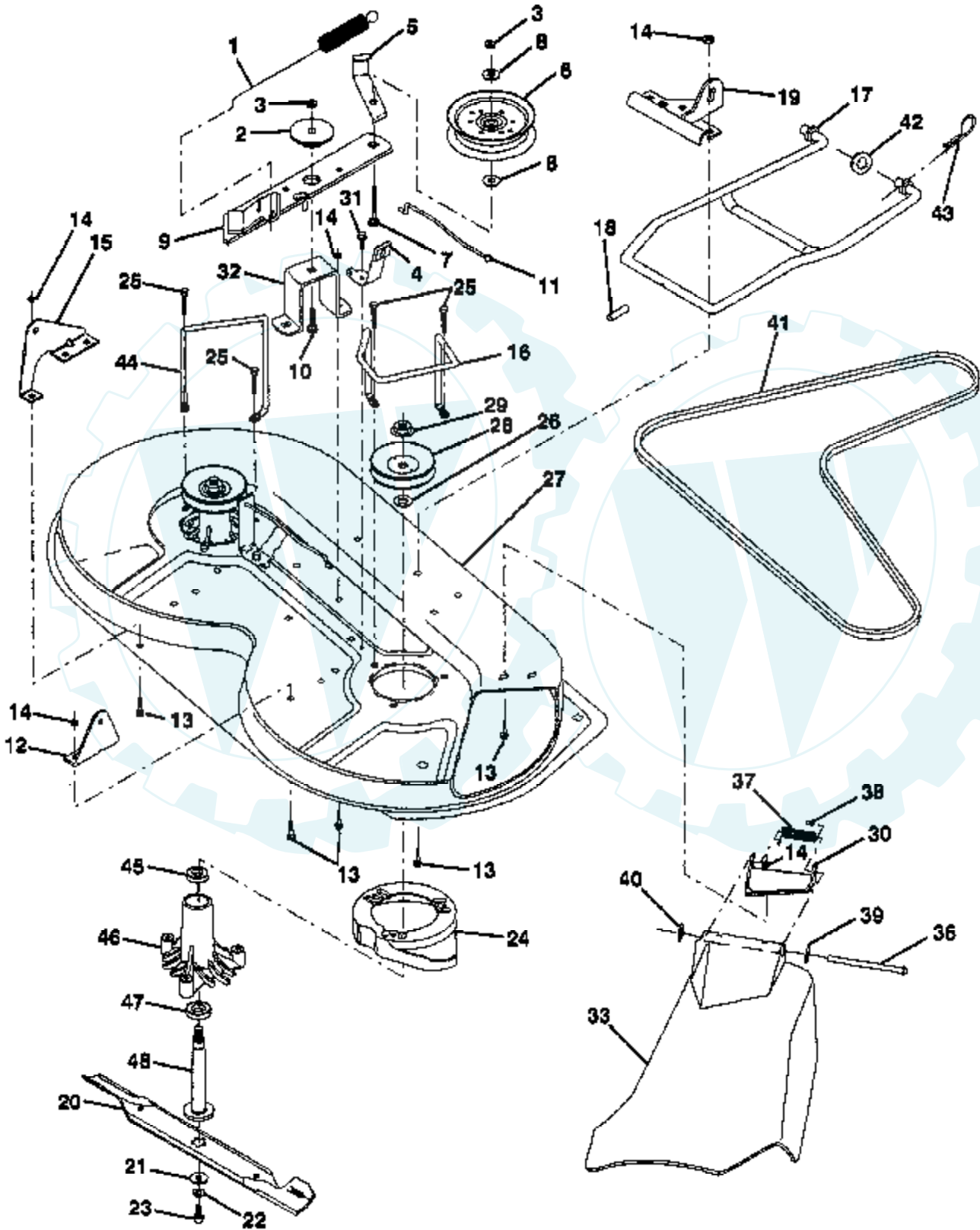
HOOD



Ref #	Part Number	Qty	Description
1	124657X		EXT SPRING
2	73510400		NUT
3	19091016		WASHER
4	74780410		BOLT
5	126675X		SUB= 139888
6	122549X		BRKT HOOD RH
7	122548X		BRKT HOOD LH
8	17411310		SUB= 17521312
9	74780412		SUB= 74780414
10	123693X		"BRACE,HOOD"
11	132918X505		HOOD
12	127178		LENS T
13	134232		GRILL
16	124346X		NUT

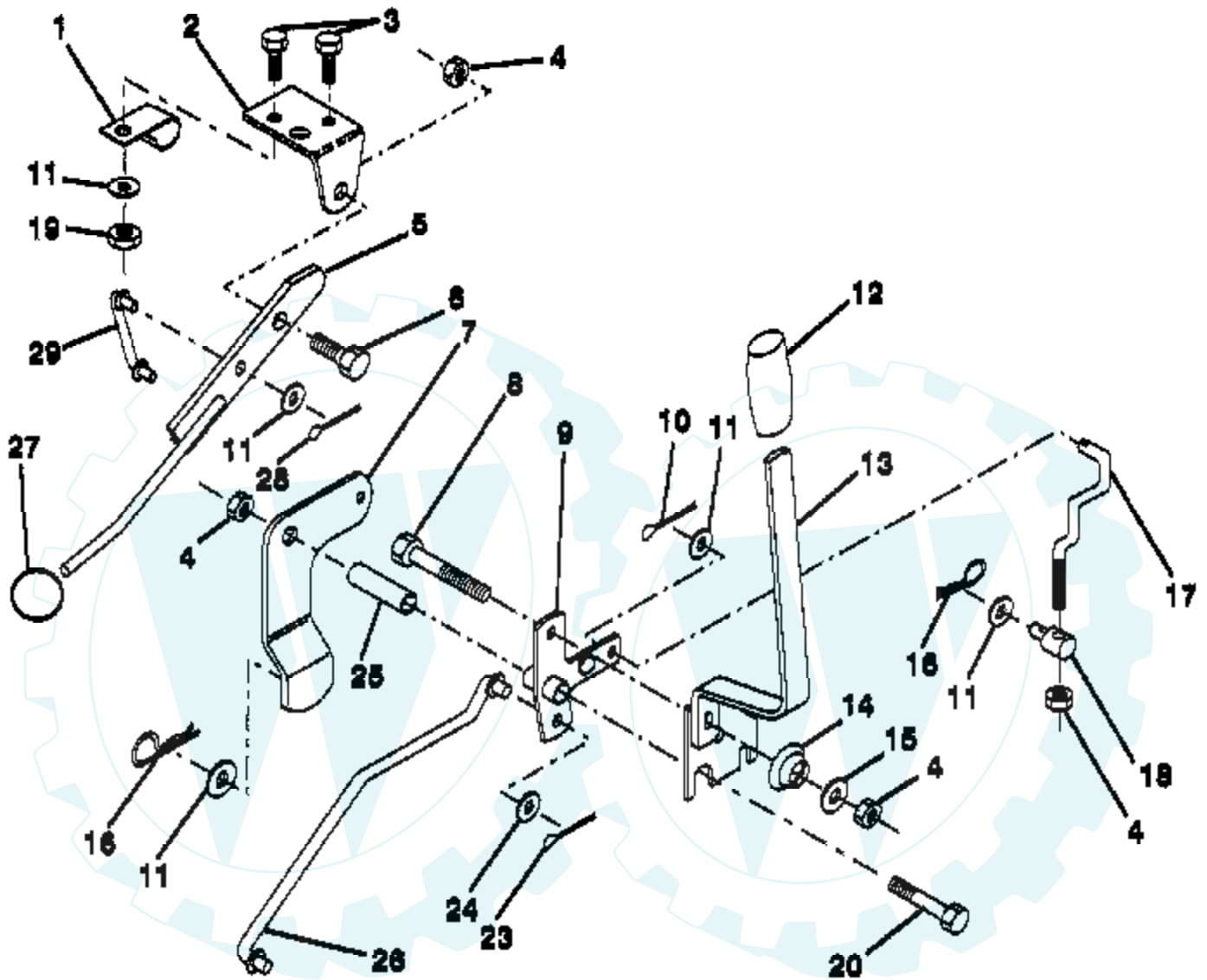


10 HP 36" LAWN RIDER - - MODEL NUMBER CT10L36A
MOWER DECK



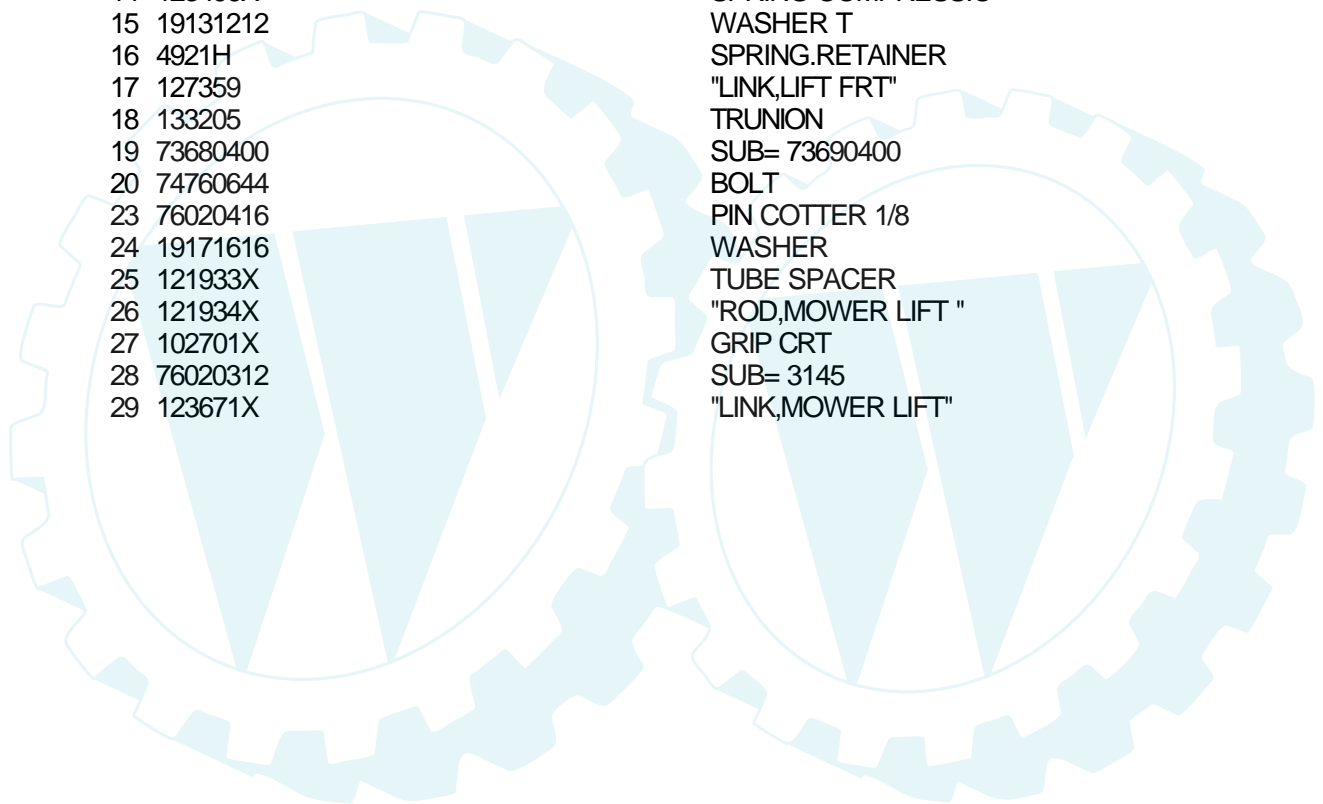
Ref #	Part Number	Qty	Description
1	127743		SUB= 140064
2	122052X		SPACER RETAINER
3	73680600		SUB= 73690600
4	130840		BRAKE ASM
5	131251		IDLER BELT GUIDE
6	121316X		PULLEY IDLER
7	72110616		BOLT
8	19131410		WASHER
9	127744		SUB= 140092
10	72110608		BOLT D
11	130841		BRAKE ROD
12	127356		"BRKT,LIFT REAR"
13	72140505		BOLT
14	73680500		SUB= 73690500
15	127357		"BRKT,LIFT REAR LH"
16	130837		SUB= 153298
17	128508		MOWER LINK STAB
18	128511		"PIN,GROOVE"
19	127380		"BRKT,LINK STABILI"
20	127380		"BRKT,LINK STABILI"
21	129962		WASHER BLADE
22	10030600		SUB= 10040600
23	850857		BLADE BOLT
24	128961		SUB= 140329
25	78158		SUB= 17580520
26	129963		WASHER
27	129983		SUB= 156600
28	129207		SUB= 153531
29	73050900		SUB= 139729
30	126361X		SUB= 532136631
31	17490508		SCREW LT
32	122051X		"SUPT,IDLER ARM"
33	131560		SUB= 532131560
36	121980X		HINGE ROD
37	123713X		SPRING TORSION
38	105304X		CAP-SLEEVE LT
39	19111016		WASHER
40	110452X		NUT PUSH M
41	131264		V-BELT.PRIM.78.5.
42	19171616		WASHER
43	3146R		RETAINER.SPRING
44	130836		SUB= 140608
45	110485X		BEARING
46	128774		HSG ASM MANDREL
47	129895		BEARING.BALL
48	128285		SUB= 137646
	130794		MANDREL ASM

10 HP 36" LAWN RIDER -- MODEL NUMBER CT10L36A
MOWER LIFT LEVER



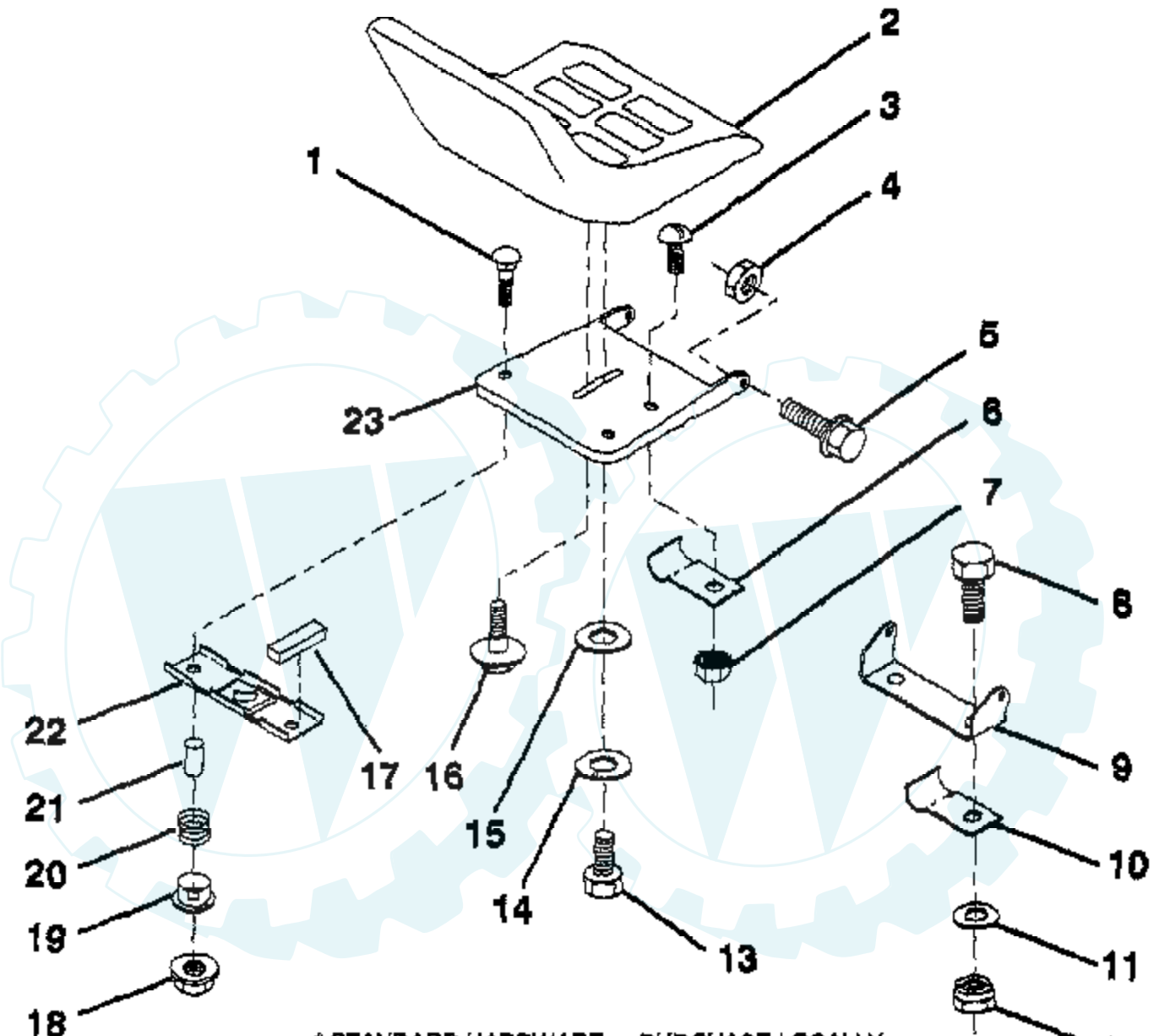
* STANDARD HARDWARE . . PURCHASE LOCALLY
NOTE: All component dimensions given in U.S. Inches
1 inch = 25.4 mm

Ref #	Part Number	Qty	Description
1	126470X		"CLIP,INSULATOR"
2	122018X		BRKT CLUTCH
3	74780408		BOLT
4	73680600		SUB= 73690600
5	123417X		CLUTCH LEVER AS
6	106451X		"BOLT, SHOULDER LT"
7	132281		MOWER CLUTCH ARM
8	74760636		BOLT
9	121930X		"BELLCRANK,LIFT"
10	76020412		COTTER PIN
11	19131316		WASHER
12	131861		SUB= 532131861
13	127028		"HDLE,LIFT T"
14	123496X		SPRING COMPRESSIO
15	19131212		WASHER T
16	4921H		SPRING.RETAINER
17	127359		"LINK,LIFT FRT"
18	133205		TRUNION
19	73680400		SUB= 73690400
20	74760644		BOLT
23	76020416		PIN COTTER 1/8
24	19171616		WASHER
25	121933X		TUBE SPACER
26	121934X		"ROD,MOWER LIFT "
27	102701X		GRIP CRT
28	76020312		SUB= 3145
29	123671X		"LINK,MOWER LIFT"



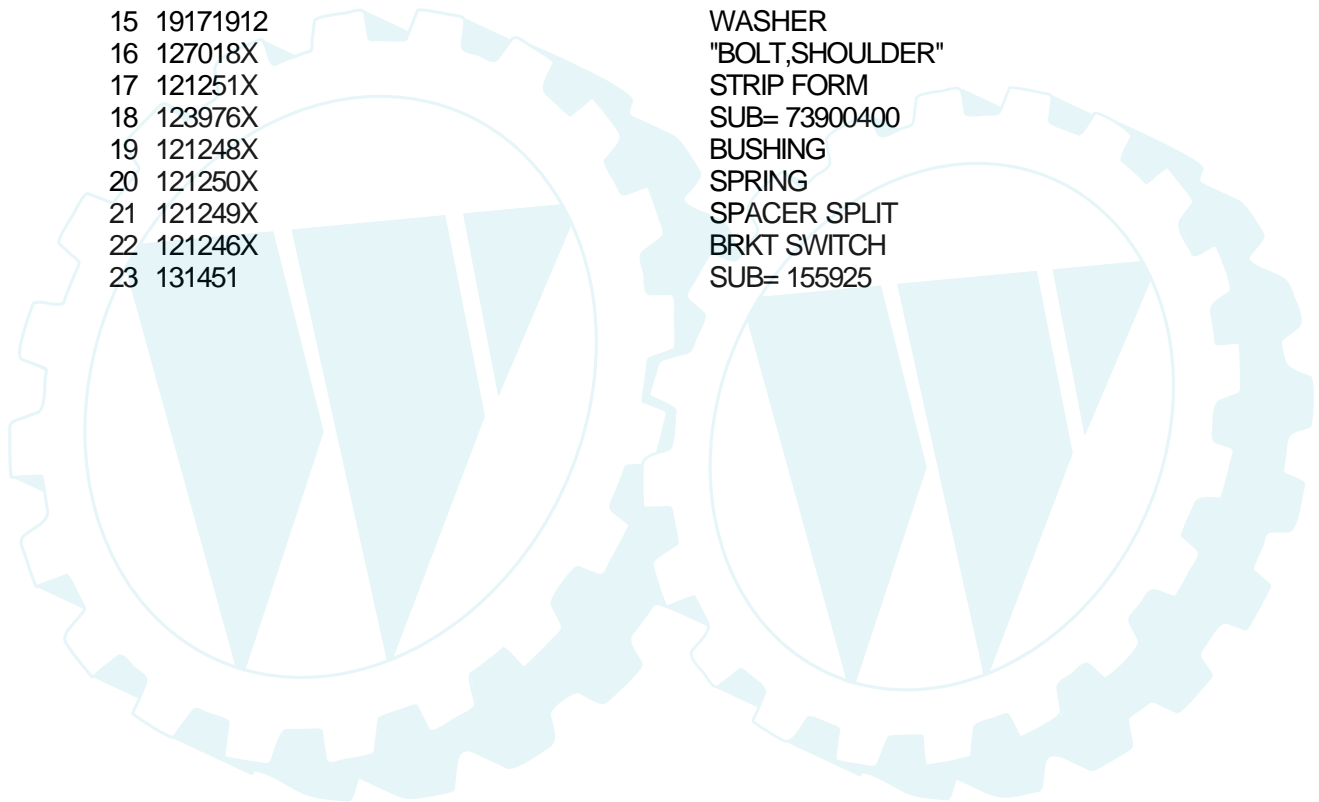
10 HP 36" LAWN RIDER - - MODEL NUMBER CT10L36A

SEAT

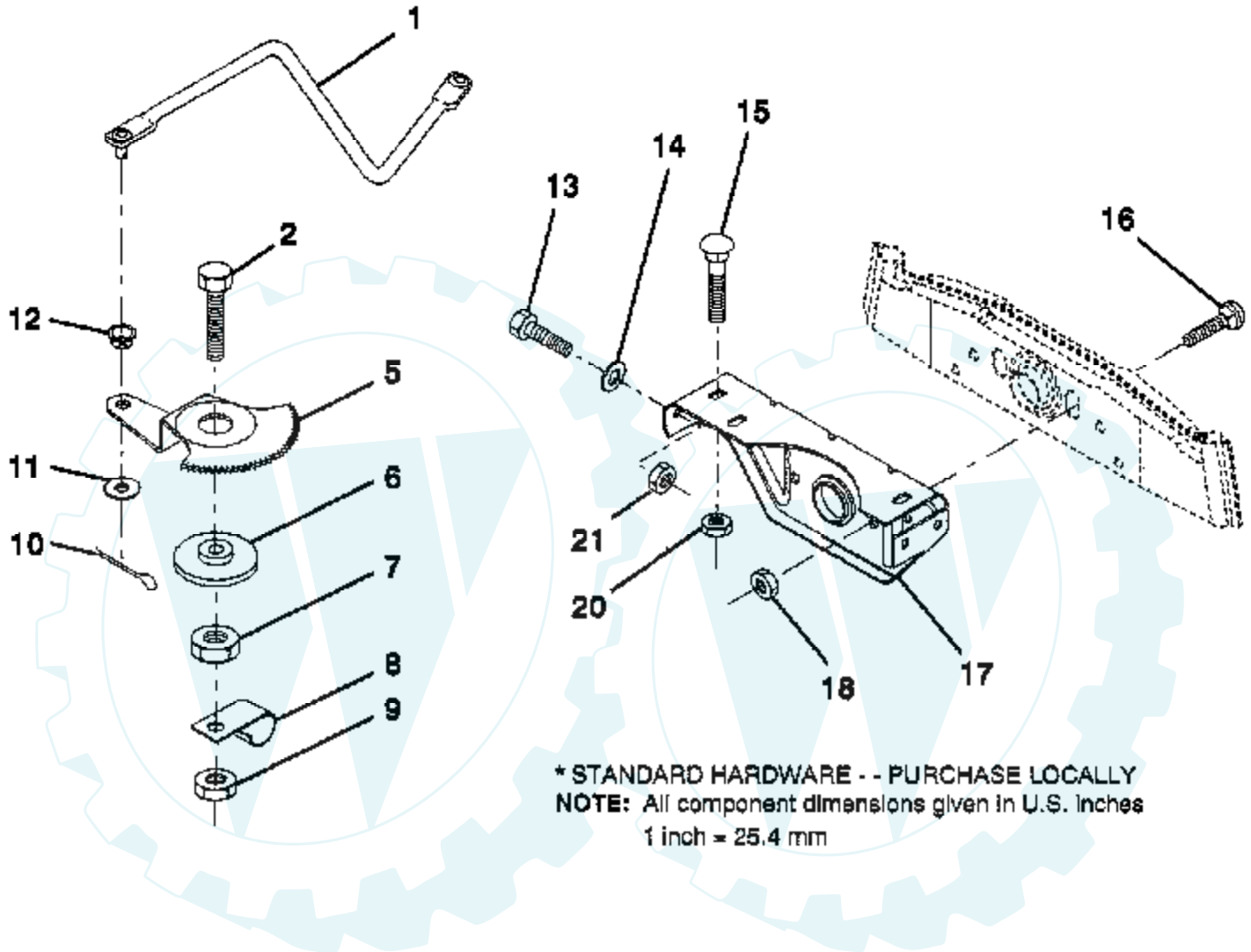


* STANDARD HARDWARE - - PURCHASE LOCALLY
NOTE: All component dimensions given in U.S. inches
1 inch = 25.4 mm

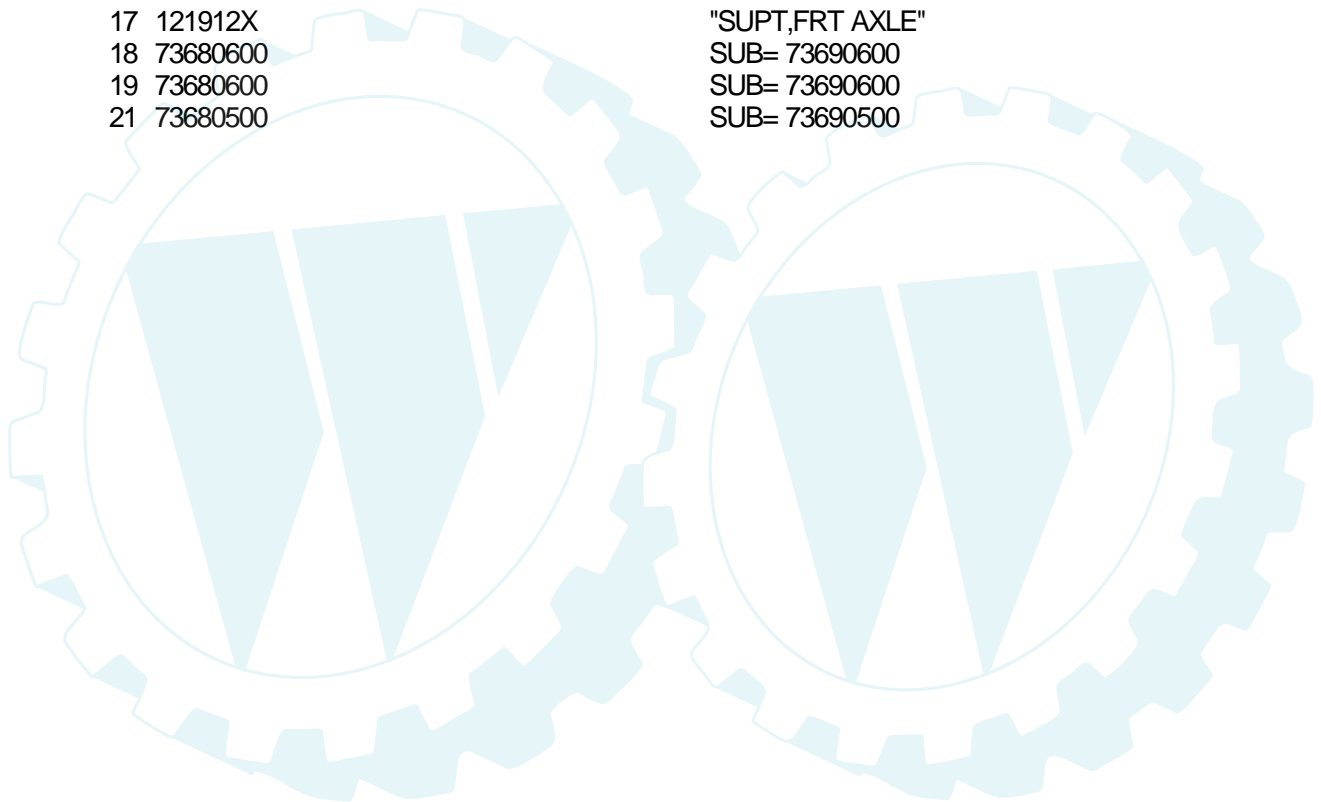
Ref #	Part Number	Qty	Description
1	72050411		SUB= 872050411
2	134647		SUB= 140119
3	74641008		SUB= 71031008
4	73680500		SUB= 73690500
5	105529X		SUB= 139888
6	4171R		CLIP T
7	73951000		"NUT,KEPS"
8	74760612		SUB= 74780612
9	126656X		SUB= 140551
10	126471X		"CLIP,INSULATOR"
11	19131210		WASHER
12	73680600		SUB= 73690600
14	10040800		LOCKWASHER
13	74780814		BOLT
15	19171912		WASHER
16	127018X		"BOLT,SHOULDER"
17	121251X		STRIP FORM
18	123976X		SUB= 73900400
19	121248X		BUSHING
20	121250X		SPRING
21	121249X		SPACER SPLIT
22	121246X		BRKT SWITCH
23	131451		SUB= 155925



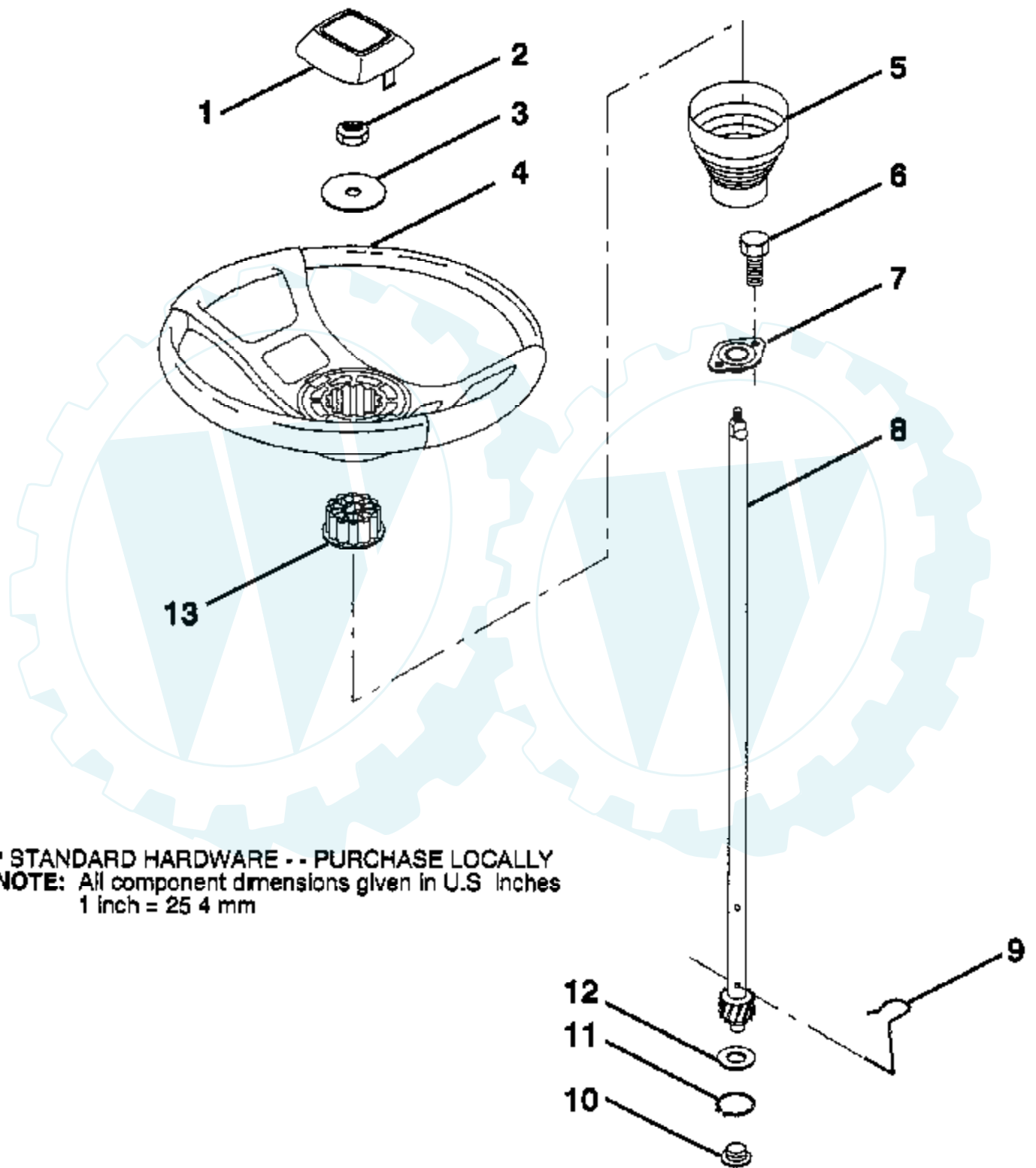
10 HP 36" LAWN RIDER - - MODEL NUMBER CT10L36A SECTOR GEAR / AXLE SUPPORT



Ref #	Part Number	Qty	Description
1	132566		DRAG LINK
2	74780828		"BOLT,HEX"
5	121926X		GEAR SECTOR
6	121927X		BUSHING
7	73030800		NUT
8	126472X		CLIP INSULATOR
9	73680800		NUT LTV
10	76020412		COTTER PIN
11	19131316		WASHER
12	126847X		BUSHING.DRAGLINK
13	74760512		BOLT
14	19111416		WASHER
15	72110606		BOLT
16	72140622		BOLT
17	121912X		"SUPT,FRT AXLE"
18	73680600		SUB= 73690600
19	73680600		SUB= 73690600
21	73680500		SUB= 73690500



10 HP 36" LAWN RIDER - - MODEL NUMBER CT10L36A STEERING WHEEL

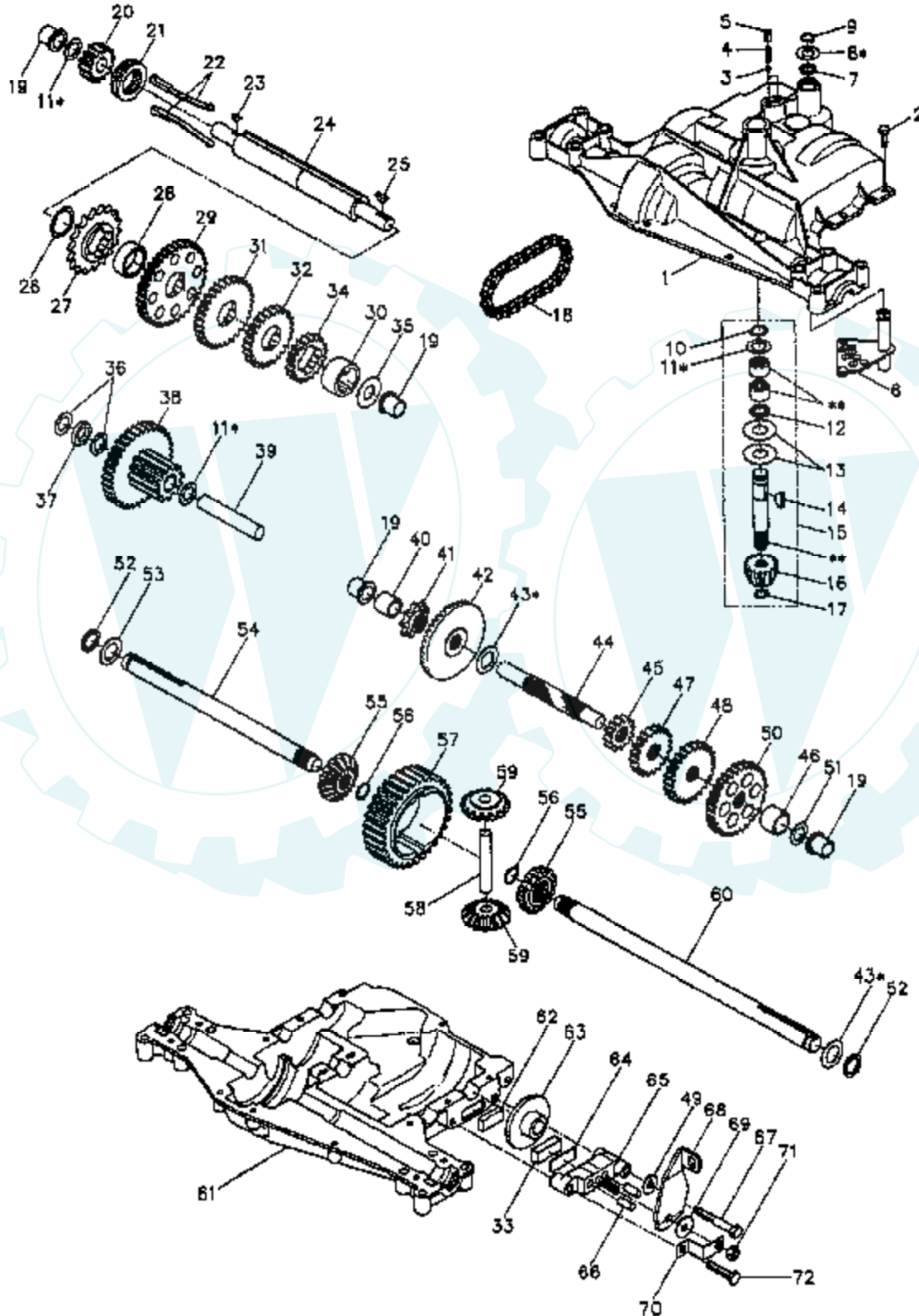


* STANDARD HARDWARE - - PURCHASE LOCALLY
NOTE: All component dimensions given in U.S. inches
1 inch = 25.4 mm

Ref #	Part Number	Qty	Description
1	100710L		INSERT-WHEEL LT
2	7810H		GRIPCO NUT
3	19133808		WASHER T
4	100713N		SUB= 150547
5	121897X		SLEEVE STEERING
6	17431008		SUB= 98000165
7	102803X		SUB= 918102803X
8	123651X		SUB= 148966
9	124210X		STEERING CLIP
10	123438X		BUSHING STEER LWR
11	12000045		RING
12	19211616		WASHER LT
13	104820X		ADAPTER-WHEEL LT



10 HP 36" LAWN RIDER - - MODEL NUMBER CT10L36A
FOOTE/DANA TRANSAXLE - MODEL NUMBER 4360-15

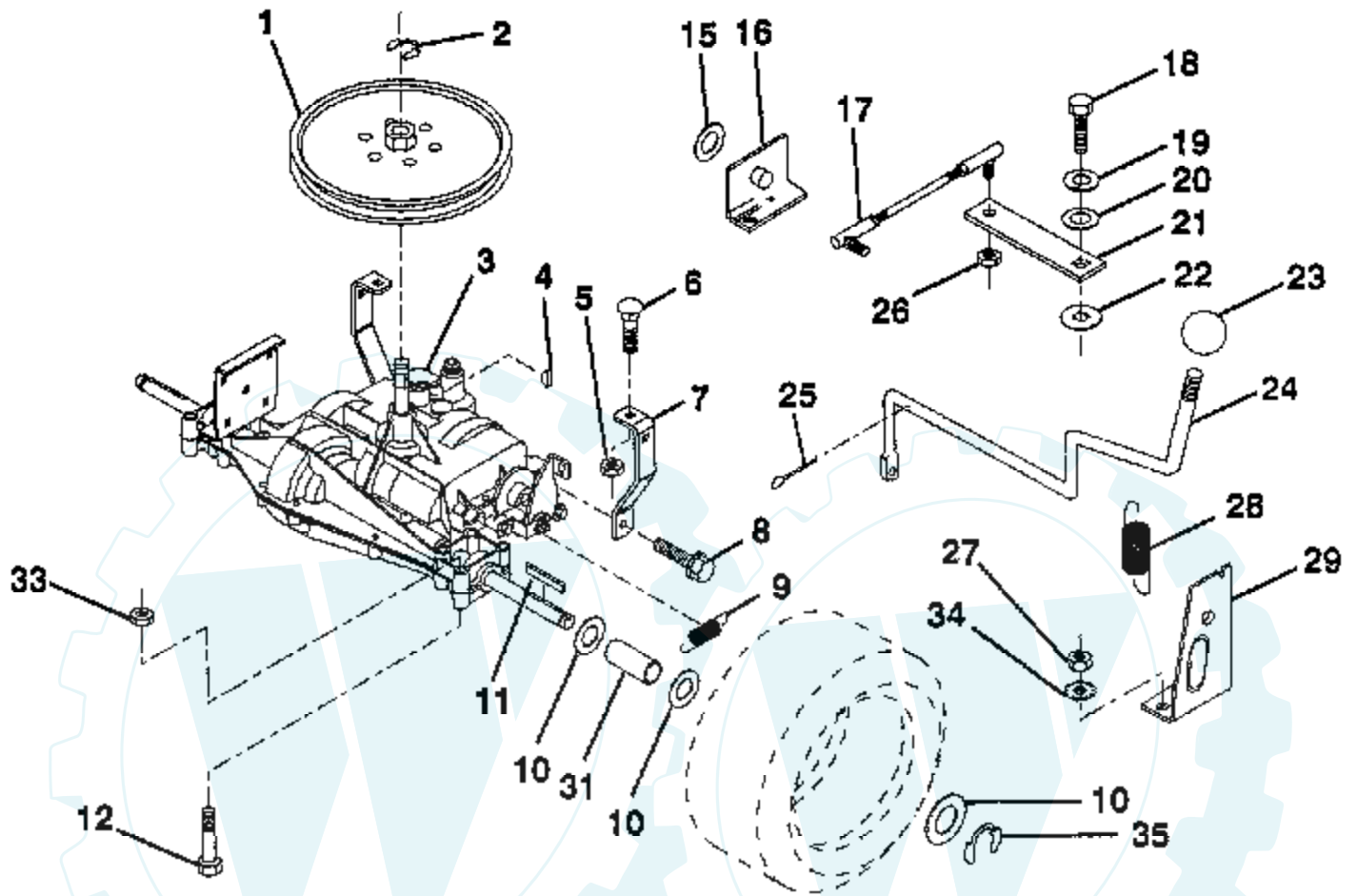


Ref #	Part Number	Qty	Description
1	120458X		SUB= 150228
2	2274J		SUB= 74760412
3	68003		"DETENT, BALL(68003)"
4	105904X		"SPRING, DETENT LT"
5	105905X		"SCREW, SET LT"
6	120460X		NLA
7	120461X		ORING T
8	120462X		WASHER T
	120463X		WASHER T
	120464X		WASHER T
	120465X		WASHER T
	120466X		WASHER T
	83818		PLAIN WASHER
	120467X		WASHER T
9	2286J		RETAINING RING LT
10	2267J		RETAINING RING LT
11	3413J		WASHER
	2233J		WASHER 020
	2232J		WASHER 025
	2231J		WASHER 031
	2230J		WASHER 035
	2229J		WASHER 040
	2228J		WASHER 045
	2227J		WASHER 050
	2226J		WASHER 060
	105906X		"WASHER, PLAIN LT"
12	6725J		O-RING T
13	120415X		WASHER T
14	2257J		WOODRUFF KEY
15	110077X		INPUT KIT T
16	110078X		PINION 14T T
17	105909X		"RING,RETAINING LT"
18	105910X		"CHAIN,24 PTCH LT"
19	105911X		BEARING.FLNG.5510
20	108976X		GEAR 14T LT
21	105913X		SUB= 138246
22	120468X		KEY T
23	2242J		KEY
24	120469X		SUB= 153655
25	2244J		WOODRUFF KEY
26	105916X		"RING,RETAINING LT"
27	120470X		SPROCKET 18T T
28	110070X		SPACER YT
29	108977X		KIT.GEAR.12/37TH
30	120524X		SPACER T
31	120405X		SUB= 124644X
32	108980X		GEAR 25T LT
33	120951X		PUCK T
34	108455X		SUB= 134796
35	105925X		"WASHER, PLAIN LT"
36	2232J		WASHER 025
37	108978X		SPACER
38	110079X		ASSM GEAR COMB
39	120471X		SHAFT IDLER T
40	120472X		SPACER T
41	105928X		SPROCKET 9T LT
42	110084X		SUB= 167148
43	108983X		WASHER LT

Ref #	Part Number	Qty	Description
	105930X		"WASHER, PLAIN LT"
	105931X		"WASHER, PLAIN LT"
	105932X		"WASHER, PLAIN LT"
	3417J		WASHER
	106097X		"WASHER, PLAIN LT"
	2264J		WASHER 031
	106098X		"WASHER, PLAIN LT"
	2265J		WASHER 040
	106586X		WASHER PLAIN
	106587X		"WASHER, PLAIN LT"
	106588X		"WASHER, PLAIN LT"
	2263J		WASHER 062
44	120473X		SHAFT T
45	105933X		SUB= 108977X
46	120523X		SPACER T
47	120407X		SUB= 124641X
48	106589X		"GEAR, SPUR 25T LT"
49	120993X		WASHER T
50	105937X		"GEAR, SPUR 31T LT"
51	2226J		WASHER 060
52	2272J		SUB= 134401
53	2263J		WASHER 062
54			REFER TO IMAGE
55	110081X		GEAR 15T T
56	105941X		"RING,RETAINING LT"
57	110071X		SUB= 120478X
58	120952X		SHAFT T
59	110082X		GEAR 1ST T
60			REFER TO IMAGE
61	120476X		SUB= 134798
62	120961X		PUCK T
63	7294J		BRAKE DISC. T
64	108989X		SPACER LT
65	120953X		SUB= 918120953X
66	120954X		PIN T
67	120955X		SCREW T
68	108992X		LEVER ACTUATOR
69	108996X		WASHER LT
70	120956X		NLA
71	73810500		NUT.LOCK.5/16-24
72	106596X		"SCREW, TAPPING LT"
73	120416X		SUB= 126976X

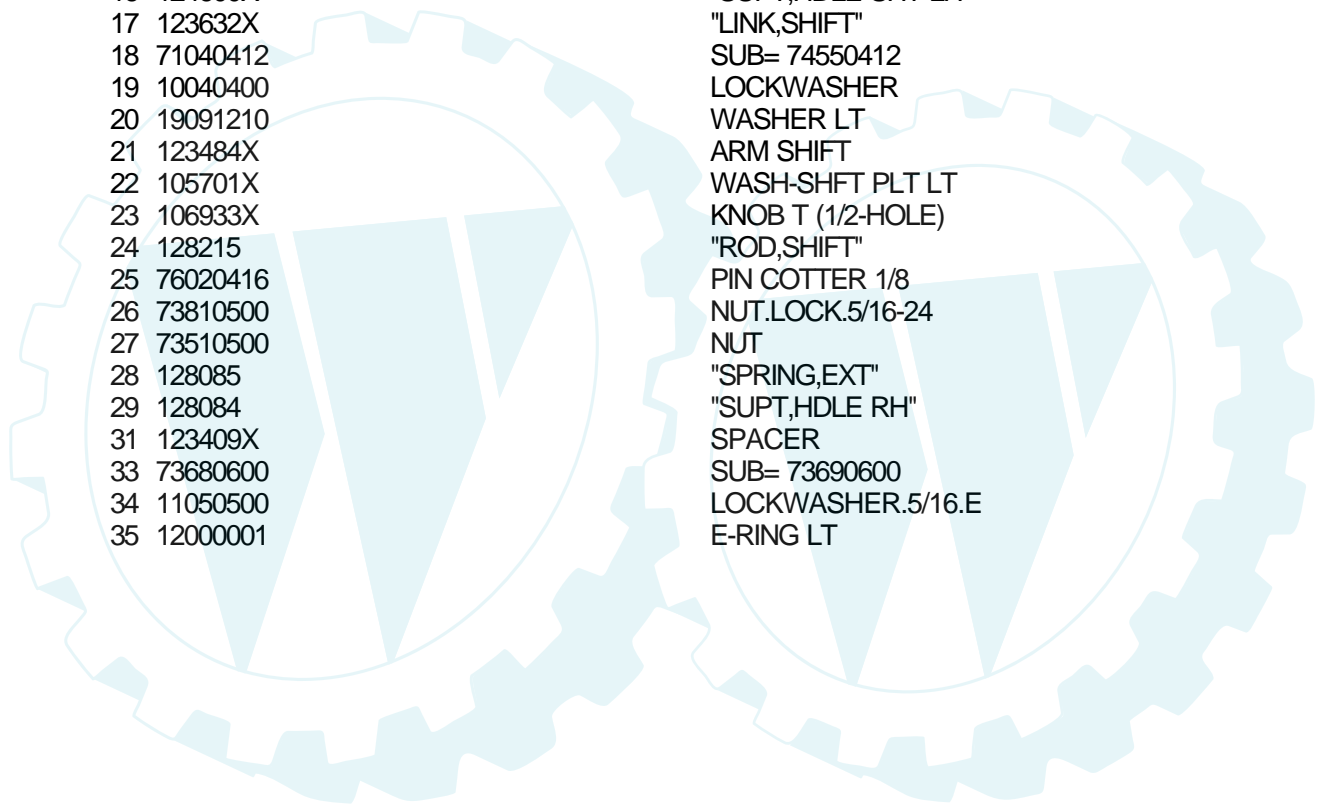
10 HP 36" LAWN RIDER - - MODEL NUMBER CT10L36A

TRANSAXLE

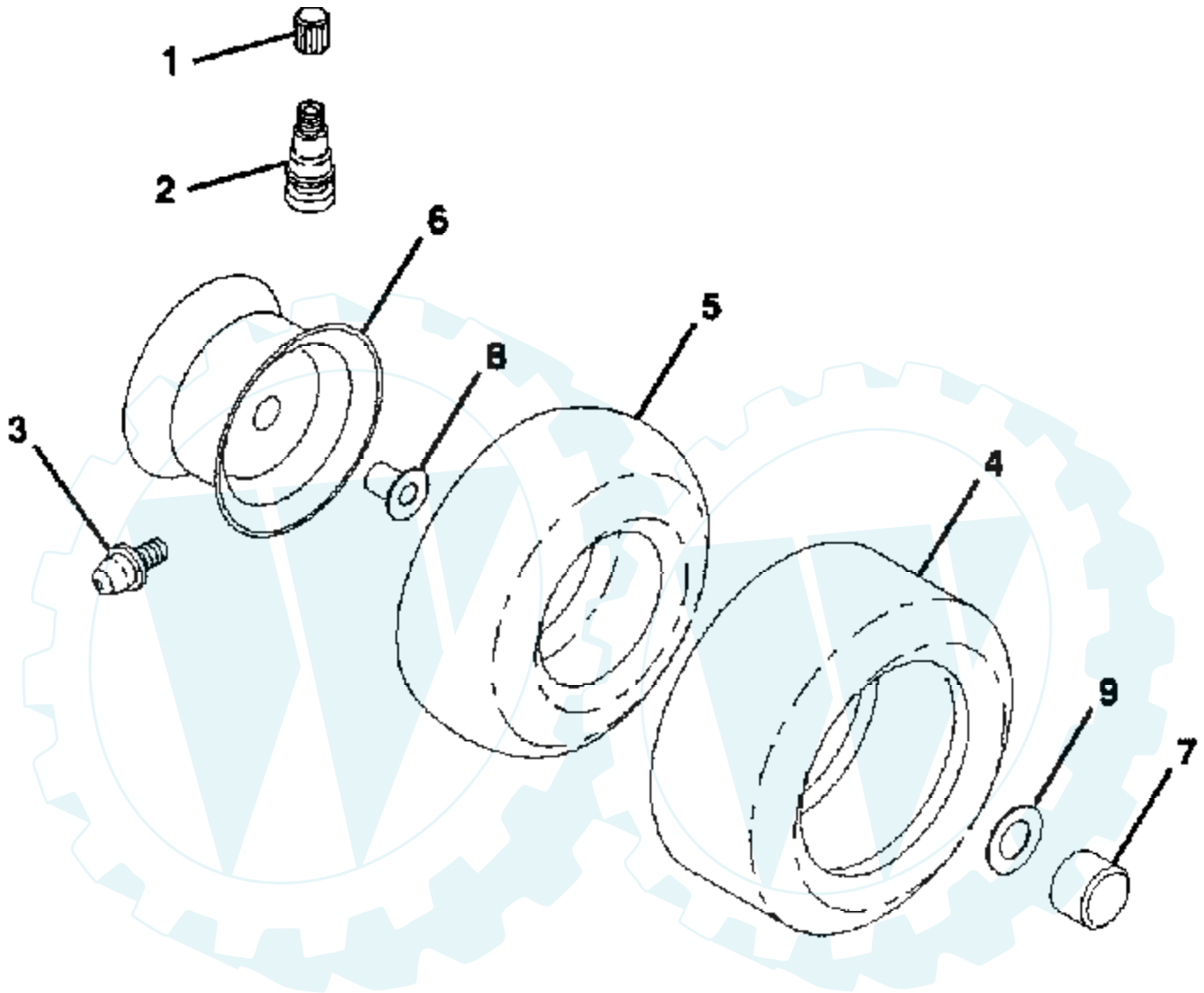


* STANDARD HARDWARE - - PURCHASE LOCALLY
NOTE: All component dimensions given in U.S. inches
1 inch = 25.4 mm

Ref #	Part Number	Qty	Description
1	123385X		PULLEY
2	12000028		SUB= 2267J
3	123385X		PULLEY
4	2228M		SUB= 2228M1
5	73680500		SUB= 73690500
6	72140506		BOLT
8	17490512		SCREW
7	123378X		"STRAP,TORQUE"
9	110422X		SUB= 146682
10	121749X		WASHER
11	123583X		SQUARE KEY
12	74760644		BOLT
15	19171616		WASHER
16	124600X		"SUPT,HDLE SHT LH"
17	123632X		"LINK,SHIFT"
18	71040412		SUB= 74550412
19	10040400		LOCKWASHER
20	19091210		WASHER LT
21	123484X		ARM SHIFT
22	105701X		WASH-SHFT PLT LT
23	106933X		KNOB T (1/2-HOLE)
24	128215		"ROD,SHIFT"
25	76020416		PIN COTTER 1/8
26	73810500		NUT.LOCK.5/16-24
27	73510500		NUT
28	128085		"SPRING,EXT"
29	128084		"SUPT,HDLE RH"
31	123409X		SPACER
33	73680600		SUB= 73690600
34	11050500		LOCKWASHER.5/16.E
35	12000001		E-RING LT



WHEELS



Ref #	Part Number	Qty	Description
1	59192		VALVE CAP
2	65139		VALVE STEM LT
3	278H		FITTING LT
4	124142X		SUB= 123410X
	124143X		SUB= 122075X
5	59904		TUBE.5.3/4.5/6
	8134H		TUBE.16X6.5/7.5-8
6	122394X311		SUB= 137237X427
	123412X311		SUB= 123412X427
7	104757X		HUB CAP
8	9040H		"FLANGE, BEARING"
9	121748X		WASHER

