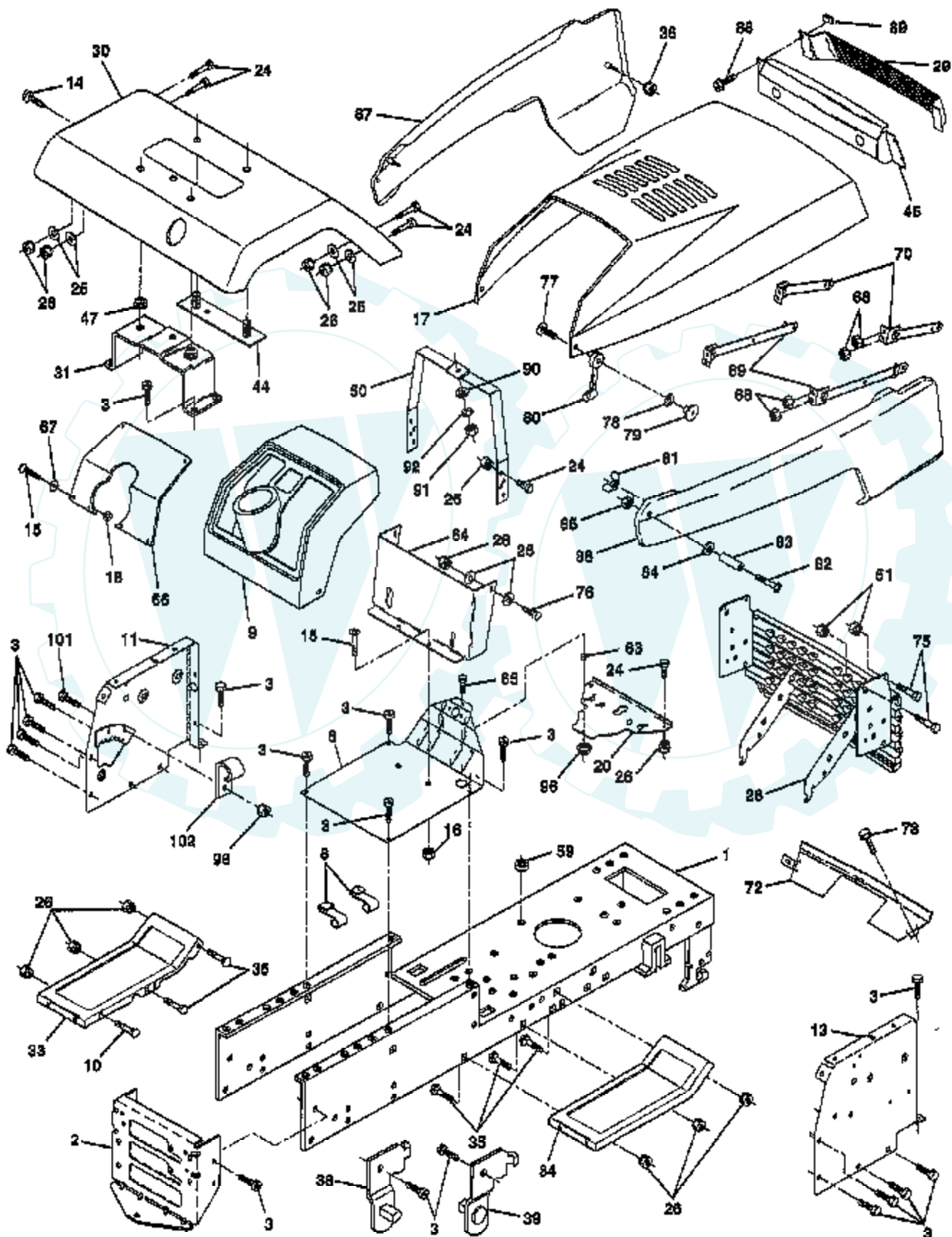


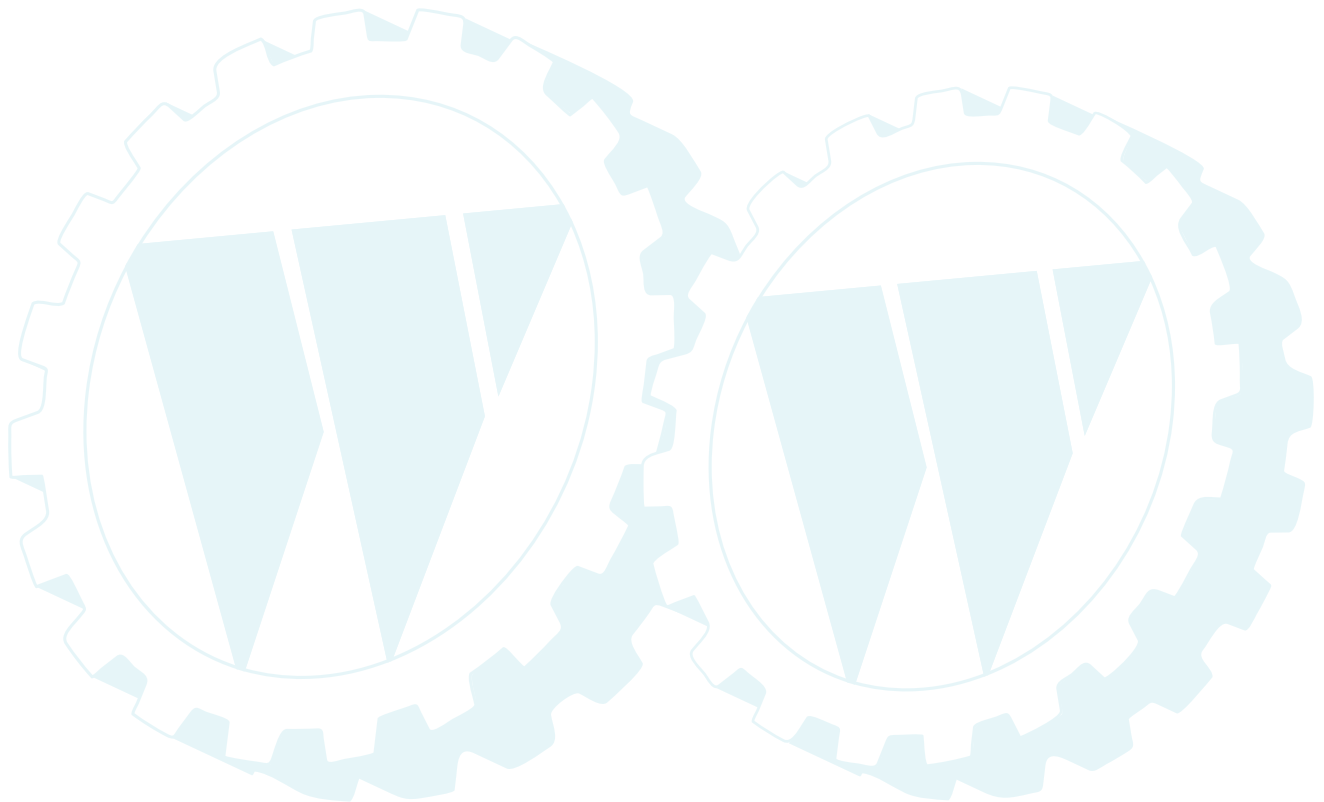
18 HP 42" TRACTOR - - MODEL NUMBER CP1842D

CHASSIS AND ENCLOSURES

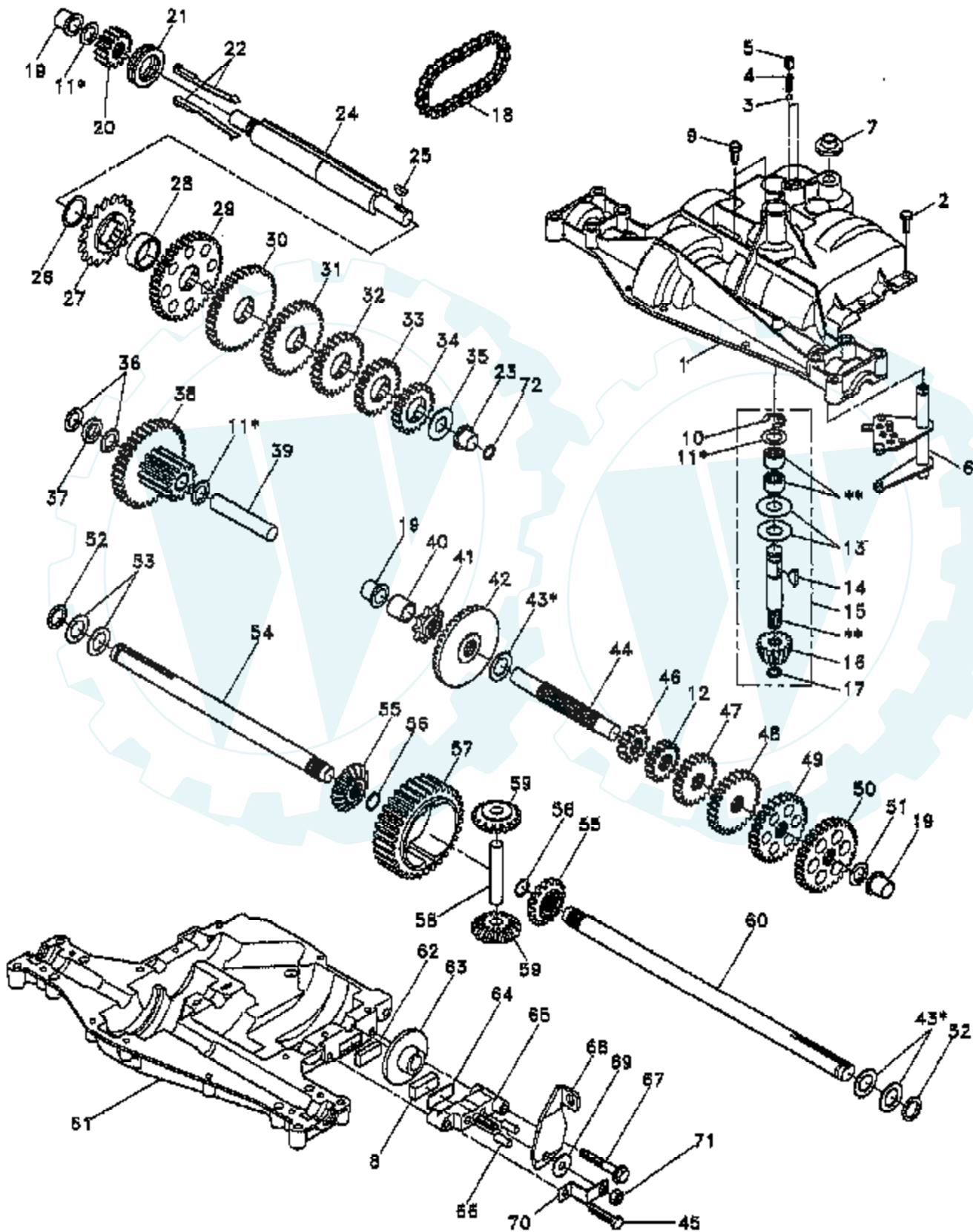


Ref #	Part Number	Qty	Description
1	140341		SUB= 145501
2	140356		SUB= 145009
3	17490612		SCREW
6	127543		SUB= 127543X011
8	126471X		"CLIP,INSULATOR"
9	140398		DASHBOARD BLACK
10	72140608		SUB= 72110608
11	141108		PANEL.DASH.LH.ASM
13	140284		PANEL.DASH.RH.ASM
14	17490608		SCREW LT
15	74180512		SCREW
16	73510500		NUT
17	132635X520		HOOD.LT/YT/GT
20	140181		PLATE.SUPT.BATTER
24	74780616		BOLT
25	19131312		WASHER
26	73800600		NUT
28	131716		SUB= 532131716
29	106395X		LENS LT
30	140001X520		FENDER.PNTD
31	137113		BRKT.ASM.FENDER
33	105465X417		SUB= 145244X417
34	105464X417		SUB= 145243X417
35	72110606		BOLT
36	108067X		PAL NUT LT
38	139886		BRACKET ASM LH
39	139887		BRACKET ASM RH
44	140675		STRAP ASM FENDER
45	124392X417		SUB= 147717
47	105531X		NUT-PUSH YT
50	124130X		SUPPORT ASSY
51	73680400		SUB= 73690400
59	110436X		SUB= 9151R
63	121236X		SPACER
64	132177		LOWER DASH
65	74760532		BOLT
66	140300X012		PLATE.SILKSCREEN
67	19111116		WASHER
68	73510400		NUT
69	106784X		SUB= 155013
70	104618X		SUB= 155013
72	144916X417		STRAP.GRILLE.PNT
73	17580408		SCREW CRT
75	123481X		SUB= 7605J
76	74780620		BOLT
77	74191008		SCREW
78	10071000		LOCKWASHER
79	2029J		WELDNUT
80	109808X		HOOD LATCH T
81	123198X		SUB= 146525
82	74981020		SCREW
83	7206J		SPACER LT
84	19070818		WASHER
85	73731000		NUT
86	137655X417		"PANEL, SIDE RH"
87	132637X417		"PANEL,SIDE LH"
88	17211010		SCREW LT
89	104755X		"J" FASTENER LT"

Ref #	Part Number	Qty	Description
90	10040400		LOCKWASHER
91	73220400		SUB= 50675
92	19091216		WASHER PM
96	73800500		NUT
101	74780512		BOLT
102	2751R		CLIP T

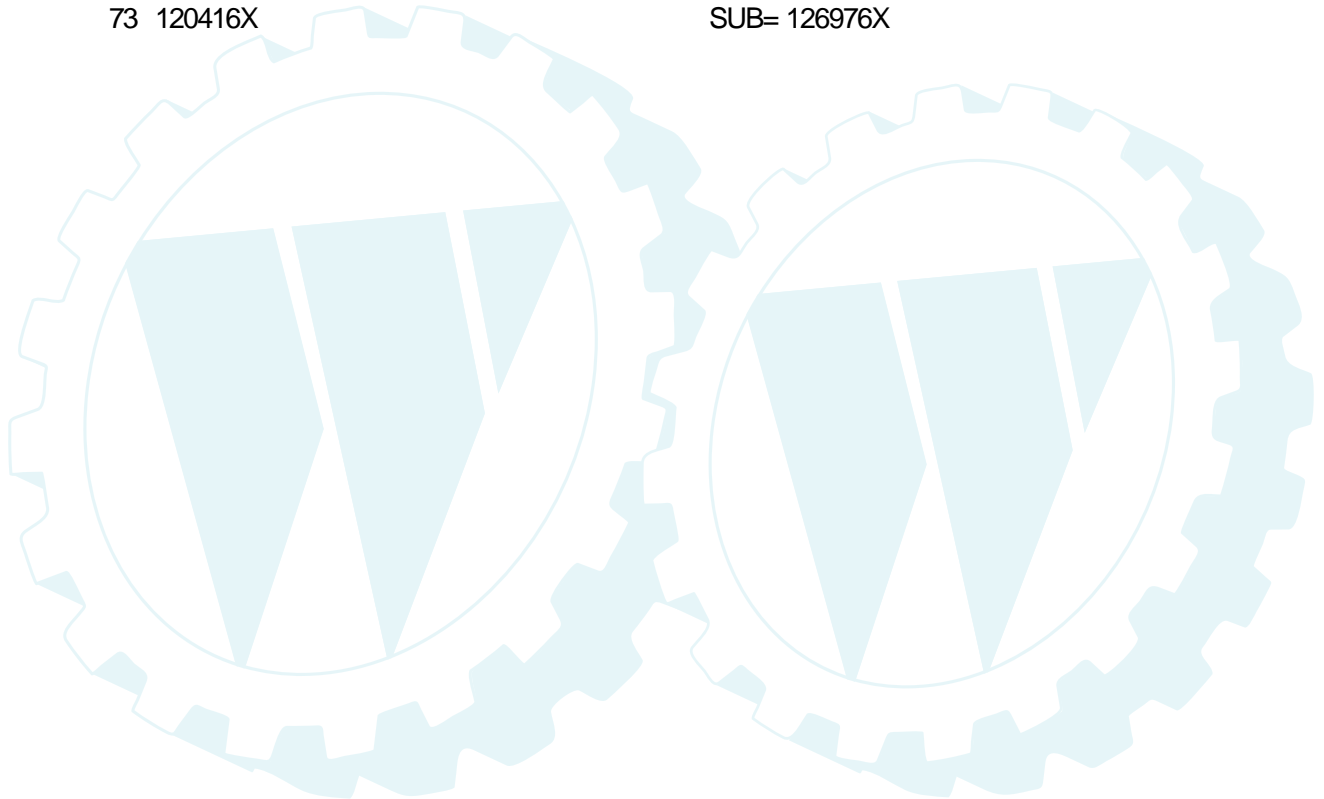


18 HP 42" TRACTOR - - MODEL NUMBER CP1842D DANA TRANSAXLE - MODEL NUMBER 4360-81



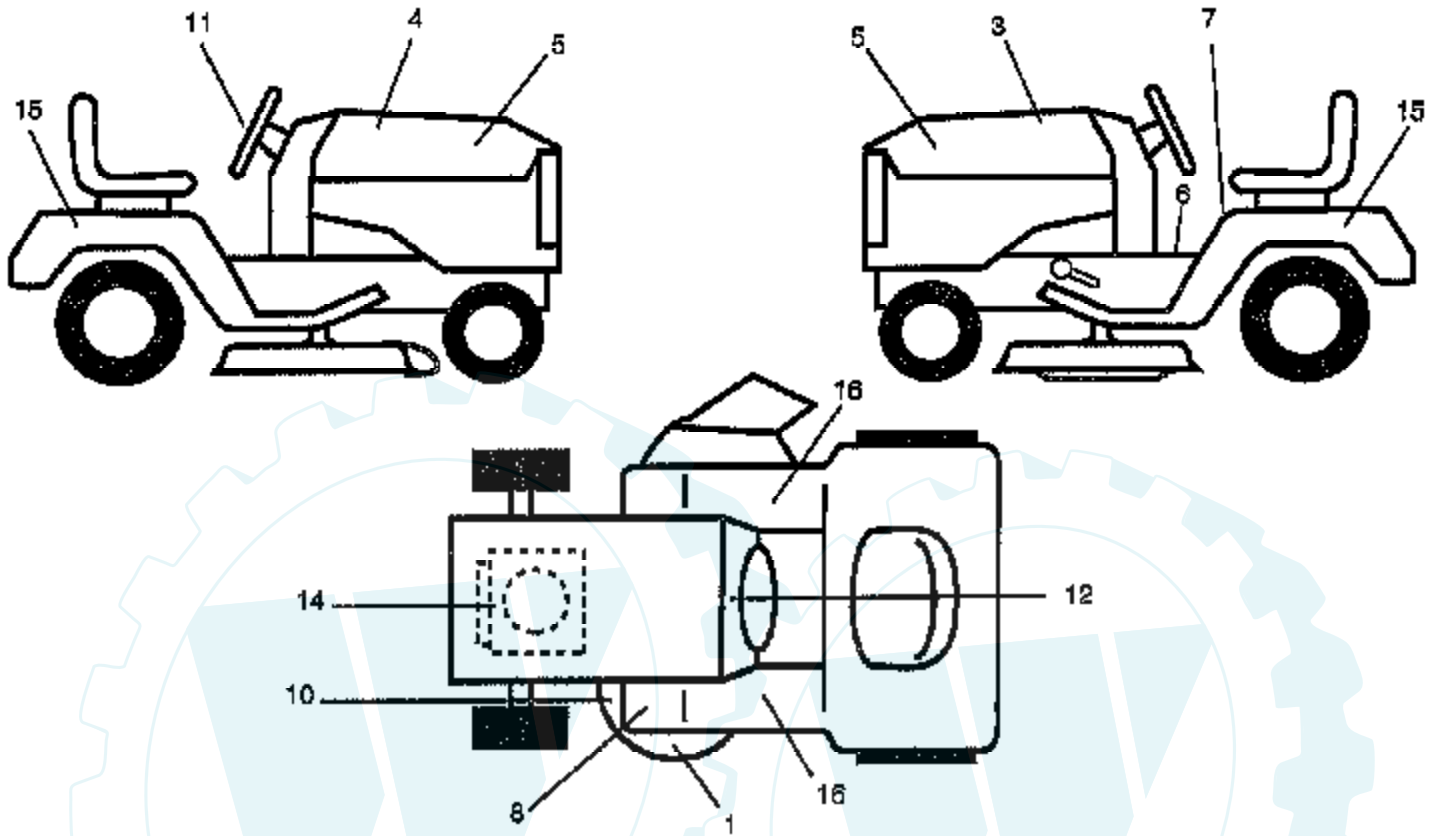
Ref #	Part Number	Qty	Description
1	142671		HOUSING UPPER TRN
2	2274J		SUB= 74760412
3	134400		SUB= 68003
4	105904X		"SPRING, DETENT LT"
5	105905X		"SCREW, SET LT"
6	134788		SHIFTER.ASM.KIT.
7	134399		SHIFTER BOOT
8	120951X		PUCK T
9	134791		SCREW TAP W/SEAL
10	142672		SUB= 2225J
11	134793		ASM KIT SHIM 4689
12	142679		GEAR SPUR 15 TTH
13	120415X		WASHER T
14	142674		KEY WOODRUFF-DANA
15	106846X		SUB= 167148
16	106095X		SUB= 95-8060-6F
17	105909X		"RING,RETAINING LT"
18	105910X		"CHAIN,24 PTCH LT"
19	105911X		BEARING.FLNG.5510
20	142675		GEAR SPUR 14 TTH
21	138246		COLLAR CLUTCH
22	138237		KIT.ASM.CLUTCH KY
23	143051		SUB= 148268
24	142676		SHAFT INTERM DANA
25	2244J		WOODRUFF KEY
26	105916X		"RING,RETAINING LT"
27	120470X		SPROCKET 18T T
28	110070X		SPACER YT
29	142677		GEAR SPUR 37 TTH
30	142681		GEAR SPUR 35 TTH
31	120405X		SUB= 124644X
32	108980X		GEAR 25T LT
33	120406X		GEAR SPUR 22 TT
34	134796		SPUR GEAR 19T
35	105925X		"WASHER, PLAIN LT"
36	2232J		WASHER 025
37	108978X		SPACER
38	110079X		ASSM GEAR COMB
39	124639X		SHAFT IDLER
40	120472X		SPACER T
41	105928X		SPROCKET 9T LT
42	106605X		SUB= 167148
43	134394		ASM KIT SHIM
44	120473X		SHAFT T
45	106596X		"SCREW, TAPPING LT"
46	142678		GEAR SPUR 12 TTH
47	120407X		SUB= 124641X
48	106589X		"GEAR, SPUR 25T LT"
49	120408X		GEAR 28T T
50	105937X		"GEAR, SPUR 31T LT"
51	2226J		WASHER 060
52	134401		NEOPRENE WASHER
53	2264J		WASHER 031
54	120474X		SUB= 154658
55	120409X		GEAR LT
56	105941X		"RING,RETAINING LT"
57	110071X		SUB= 120478X
58	120952X		SHAFT T

Ref #	Part Number	Qty	Description
59	106592X		"GEAR,MITER 15T YT"
60	120475X		SUB= 154659
61	142680		HOUSING LOWER TNS
62	120961X		PUCK T
63	7294J		BRAKE DISC. T
64	108989X		SPACER LT
65	120953X		SUB= 918120953X
66	120954X		PIN T
67	134799		TAP SCREW
68	138244		SUB= 108992X
69	108996X		WASHER LT
70	120956X		NLA
71	73810500		NUT.LOCK.5/16-24
72	143045		SEAL OIL DANA5416
73	120416X		SUB= 126976X



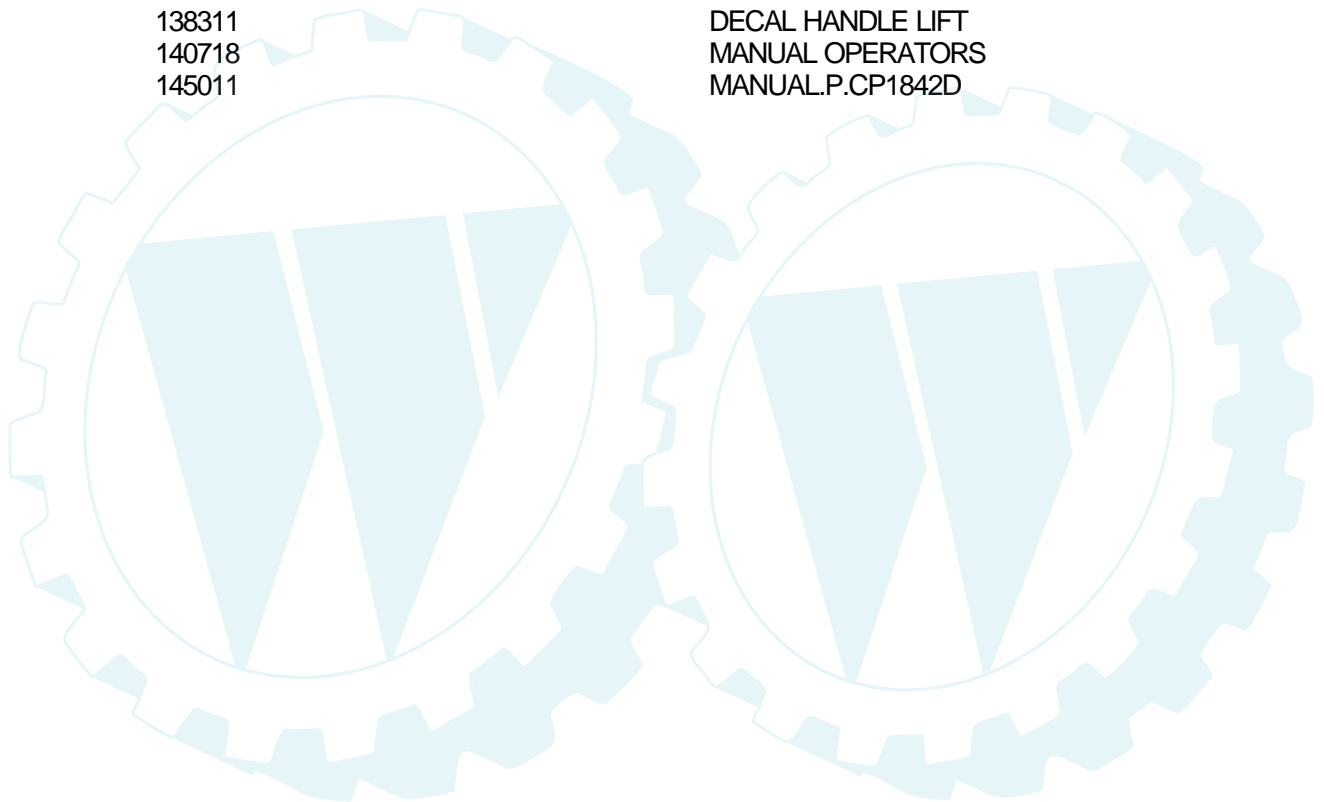
18 HP 42" TRACTOR -- MODEL NUMBER CP1842D

DECALS



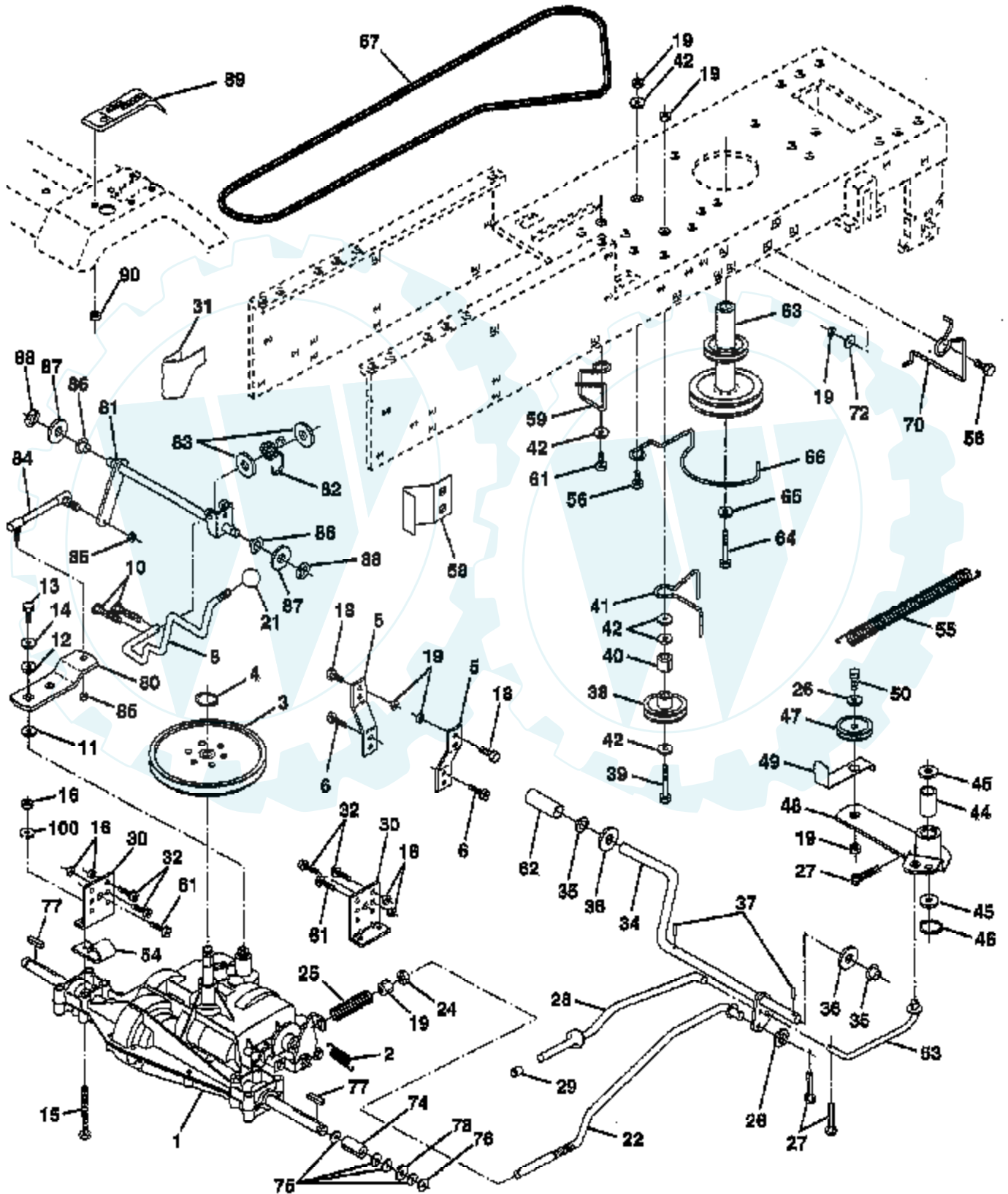
NOTE: All component dimensions given in U.S. inches
1 inch = 25.4 mm

Ref #	Part Number	Qty	Description
			REFER TO IMAGE
1	135013		NLA
3	135581		NLA
4	135580		DECAL HOOD STRIPE RH
5	131425		CHASSIS DECAL
6	140837		DECAL BRAK PARK
7	133796		DECAL
8	4900J		DECAL T
10	136830		DECAL.V.BELT
11	139349		DECAL.WHL.STRG.
12	138955		DECAL.DASH.INST.
14	135429		DECAL.ENG.272757
15	138841		DECAL.FEND.QUICK.
16	133671		FOOTREST PAD
	138311		DECAL HANDLE LIFT
	140718		MANUAL OPERATORS
	145011		MANUAL.P.CP1842D



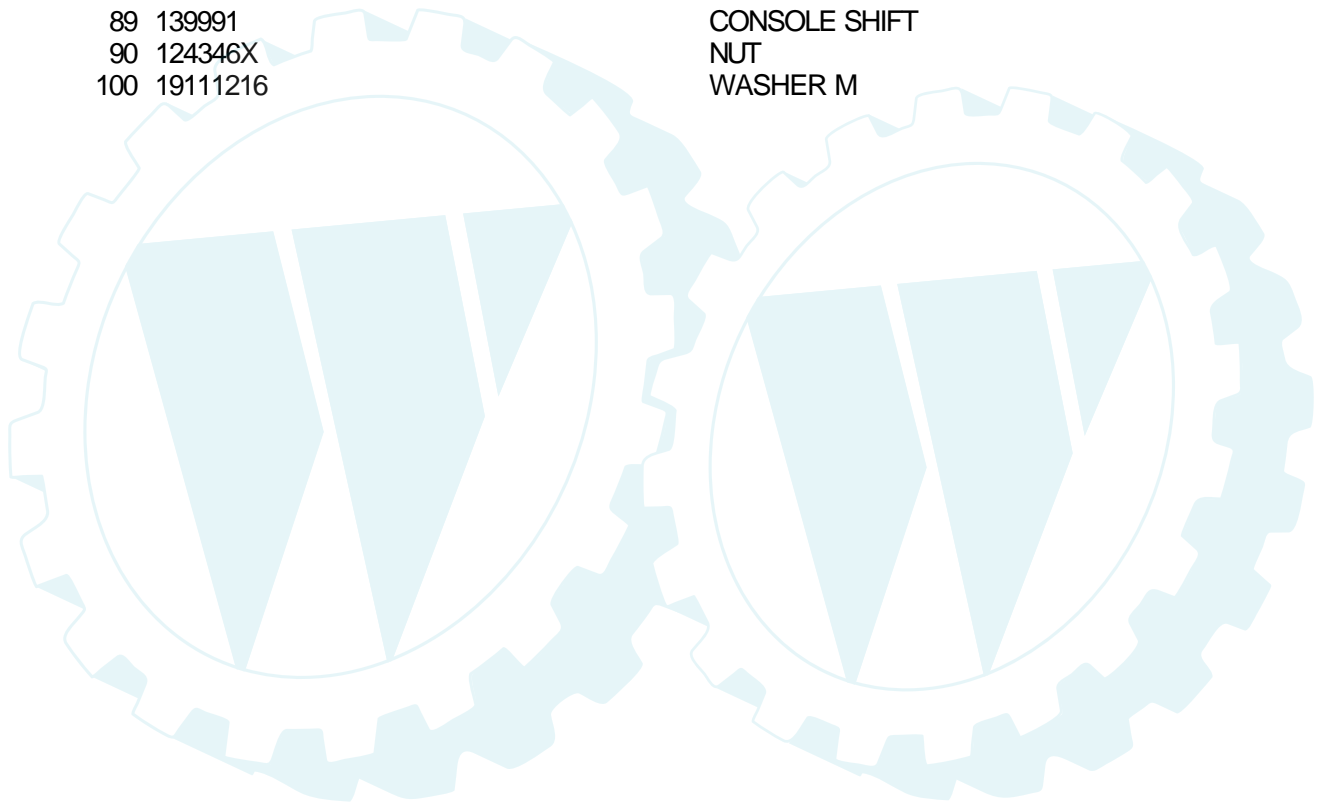
18 HP 42" TRACTOR - - MODEL NUMBER CP1842D

DRIVE



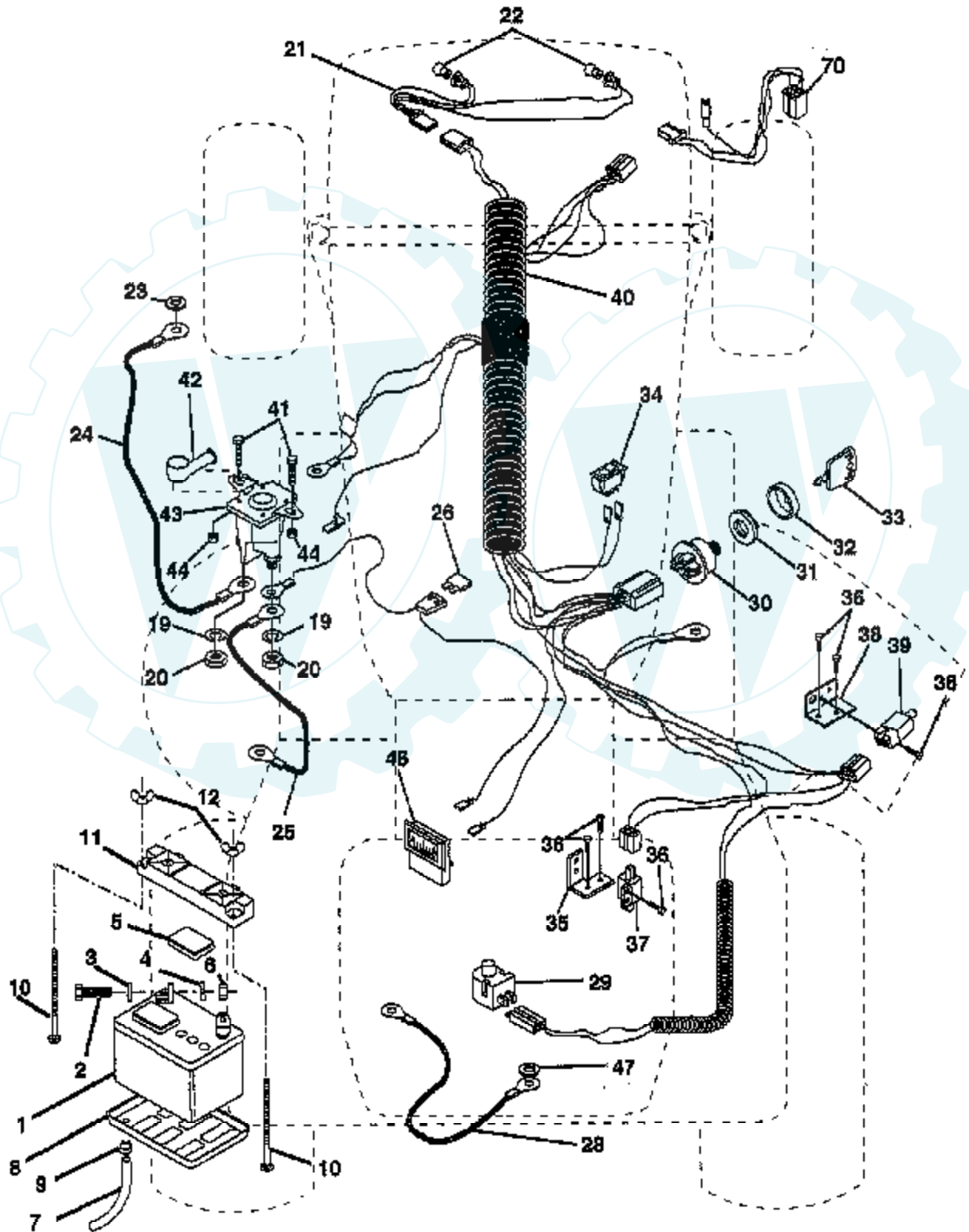
Ref #	Part Number	Qty	Description
1	142607		SUB= 145605
2	110422X		SUB= 146682
3	123666X		PULLEY TRANS
4	12000028		SUB= 2267J
5	121520X		STRAP TORQUE
6	17490512		SCREW
8	141002		ROD SHIFT FEND YT
10	76020416		PIN COTTER 1/8
11	105701X		WASH-SHFT PLT LT
12	19151216		WASHER
13	71040412		SUB= 74550412
14	10040400		LOCKWASHER
15	74780544		BOLT HEX
16	73800500		NUT
18	74780616		BOLT
19	73800600		NUT
21	106933X		KNOB T (1/2-HOLE)
22	130804		BRAKE ROD
24	73350600		NUT
25	106888X		SPRING ROD LT
26	19131316		WASHER
27	76020412		COTTER PIN
28	133261		BRAKE PARK ROD
29	71673		PLUNGER CAP T
30	130807		TRANSAXLE MTG BKT
31	127275X		"KEEPER,BELT LH T"
32	74760512		BOLT
34	122424X		SUB= 149001
35	120183X		NYLON BEARING
36	19211616		WASHER LT
37	1572H		SUB= 2882J
38	123674X		PULLEY.IDLER.FLAT
39	74760644		BOLT
40	4470J		SPACER T
41	109070X		BELT KEEPER LT
42	19131312		WASHER
44	105706X		"LY, BEARING"
45	110812X		WASHER LT
46	12000039		KLIP RING
47	127783		SUB= 139245
48	123789X		ARM IDLER
49	123205X		RETAIN BELT
50	74760624		SUB= 74930624
53	105710X		"LINK, CLUTCH T"
54	2751R		CLIP T
55	105709X		"SPRING, RETURN LT"
56	74760620		SUB= 74780620
57	130801		SUB= 138255
58	127274X		"KEEPER,BELT RH T"
59	140312		KEEPER BELT CNTSP
61	17490612		SCREW
62	8883R		PEDAL COVER T
63	140186		PULLEY.ENGINE
64	71170764		BOLT
65	10040700		LOCKWASHER
66	129921		KEEPER.BELT.ENG.L
70	134683		KEEPER BELT ENG
72	19132012		WASHER

Ref #	Part Number	Qty	Description
74	109502X		SPACER LT
75	121749X		WASHER
76	12000001		E-RING LT
77	123583X		SQUARE KEY
78	121748X		WASHER
80	131487		ARM SHIFT TRANS
81	136933		SHAFT ASM.SHIFT
82	123782X		"SPRING,TORSION"
83	19171216		WASHER
84	132183		TIE ROD
85	73530400		NUT 1/4-28
86	71208		BUSHING
87	19212016		WASHER D
88	12000008		KLIP RING
89	139991		CONSOLE SHIFT
90	124346X		NUT
100	19111216		WASHER M



18 HP 42" TRACTOR -- MODEL NUMBER CP1842D

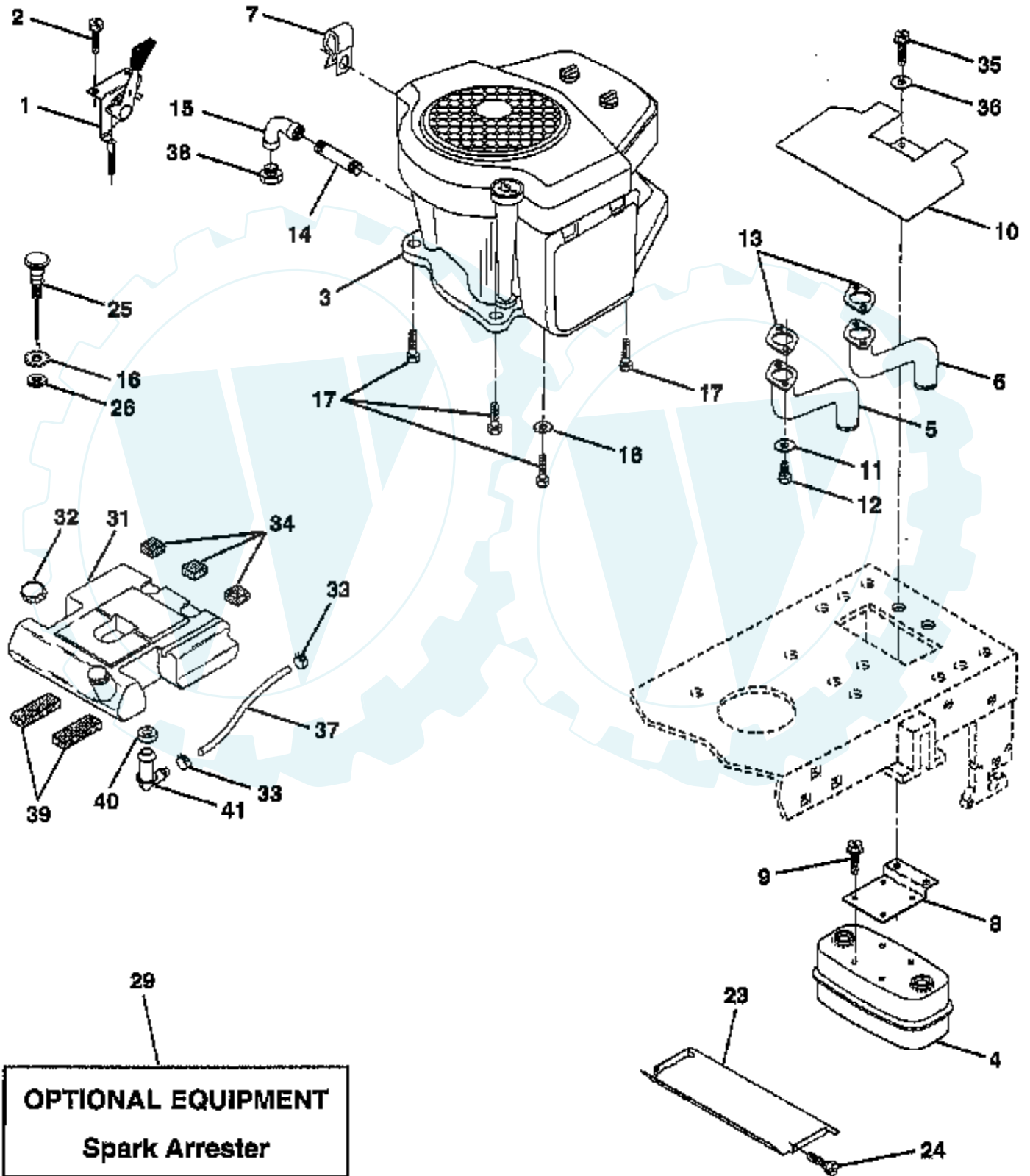
ELECTRICAL



Ref #	Part Number	Qty	Description
			REFER TO IMAGE
1	121537X		SUB= 123899X
2	74760412		BOLT LT
3	19091016		WASHER
4	10040400		LOCKWASHER
5	121264X		"CAP,BATTERY "
6	73220400		SUB= 50675
7	7697J		"DRAIN TU T, BATT"
8	7603J		"TRAY T, BATTERY"
9	109596X		HOSE CLAMP T
10	72240460		BOLT
11	102476X		SUB= 150109
12	123198X		SUB= 146525
19	10090400		SUB= 10040400
20	73350400		NUT
21	136850		"HARNES,LIGHT SOC"
22	4152J		HEADLAMP BULB
23	11150400		LOCKWASHER
24	4799J		"CABLE T, BATTERY"
25	4206J		CABLE-BATTERY T
26	108824X		FUSE HYT
28	4207J		CABLE T
29	121305X		SWITCH SEAT
30	144921		SUB= 163088
31	140400		SUB= 145774
32	141226		COVER KEY SWITCH
33	140401		KEY MLD GEN DELTA
34	110712X		SWITCH LT
35	108236X		BRACKET LT
36	17021008		SCREW
37	104445X		SWITCH-INTER. GT
38	140336		BRACKET SWITCH IN
39	109553X		SWITCH INTERLOCKT
40	140419		HARNES.IGN.DASH
41	71110408		BOLT HXHD FIN
42	131563		SUB= 154336
43	138406		SUB= 146154
44	73640400		NUT HXKEP 1/4X20
45	121433X		SUB= 122822X
47	11050600		LOCKWASHER
70	140413		HARNES ENG DUAL

18 HP 42" TRACTOR -- MODEL NUMBER CP1842D

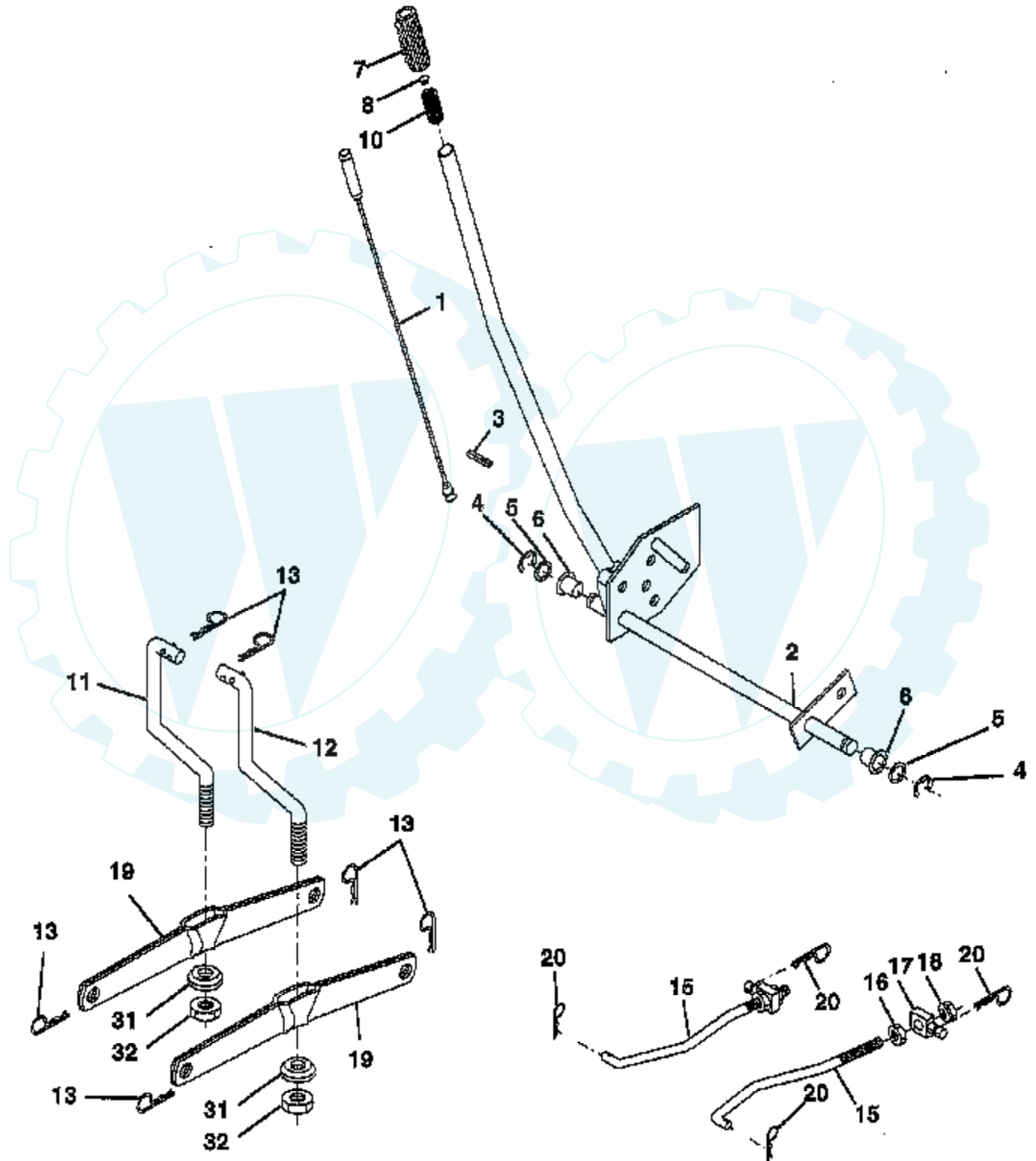
ENGINE



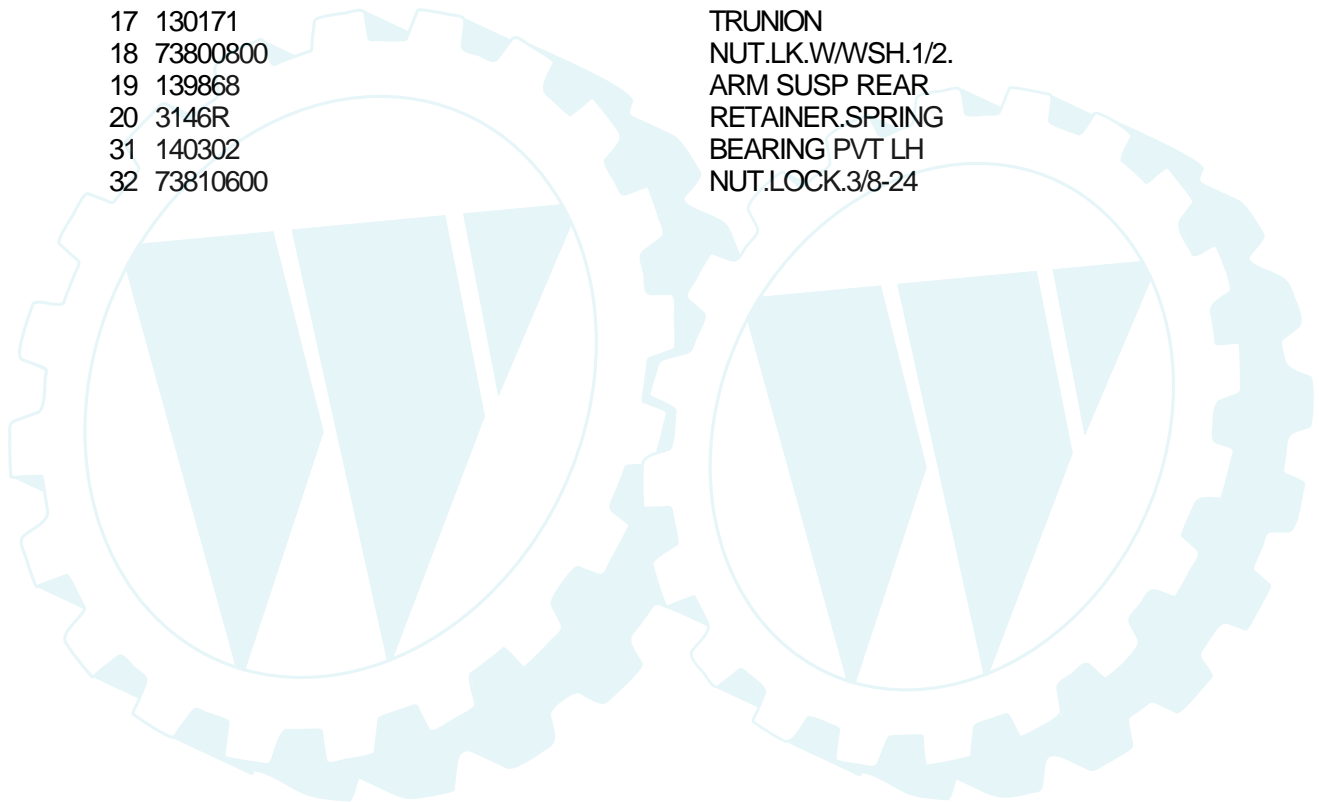
Ref #	Part Number	Qty	Description
1	132747		SUB= 532132748
2	17720410		SCREW LT
3			CHECK WITH SUPPLIER
4	137978		SUB= 149723
5	136989		EXHAUST ASM LH
6	136988		SUB= 144068
7	2751R		CLIP T
8	122439X		BRACKET MUFFLER
9	17190408		SCREW ST
10	143600		SHIELD HEAT LT
11	10040400		LOCKWASHER
12	74780412		SUB= 74780414
13	8545J		SUB= 272250
14	13280336		PIPE NIPPLE LT
15	13200300		ELBOW
16	11050600		LOCKWASHER
17	17490624		SCREW LT
23	128953		HEAT SHIELD
24	17021008		SCREW
25	132781		CHOKE CONTROL
26	73610600		SUB= 7810H
29	137180		SUB= 532137180
31	141069		SUB= 151346
32	140527		CAP ASM FUEL
33	123487X		HOSE CLAMP
34	106082X		PAD-SPACER LT
35	17490512		SCREW
36	19132012		WASHER
37	8543R		FUEL LINE T
38			CHECK WITH SUPPLIER
39	109227X		PAD IDLER TI
40	3645J		BUSHING OUTLET T
41	139277		STEM.TANK.FUEL

18 HP 42" TRACTOR - - MODEL NUMBER CP1842D

MOWER LIFT

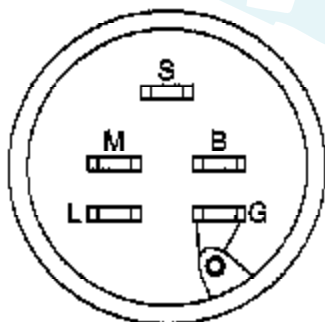
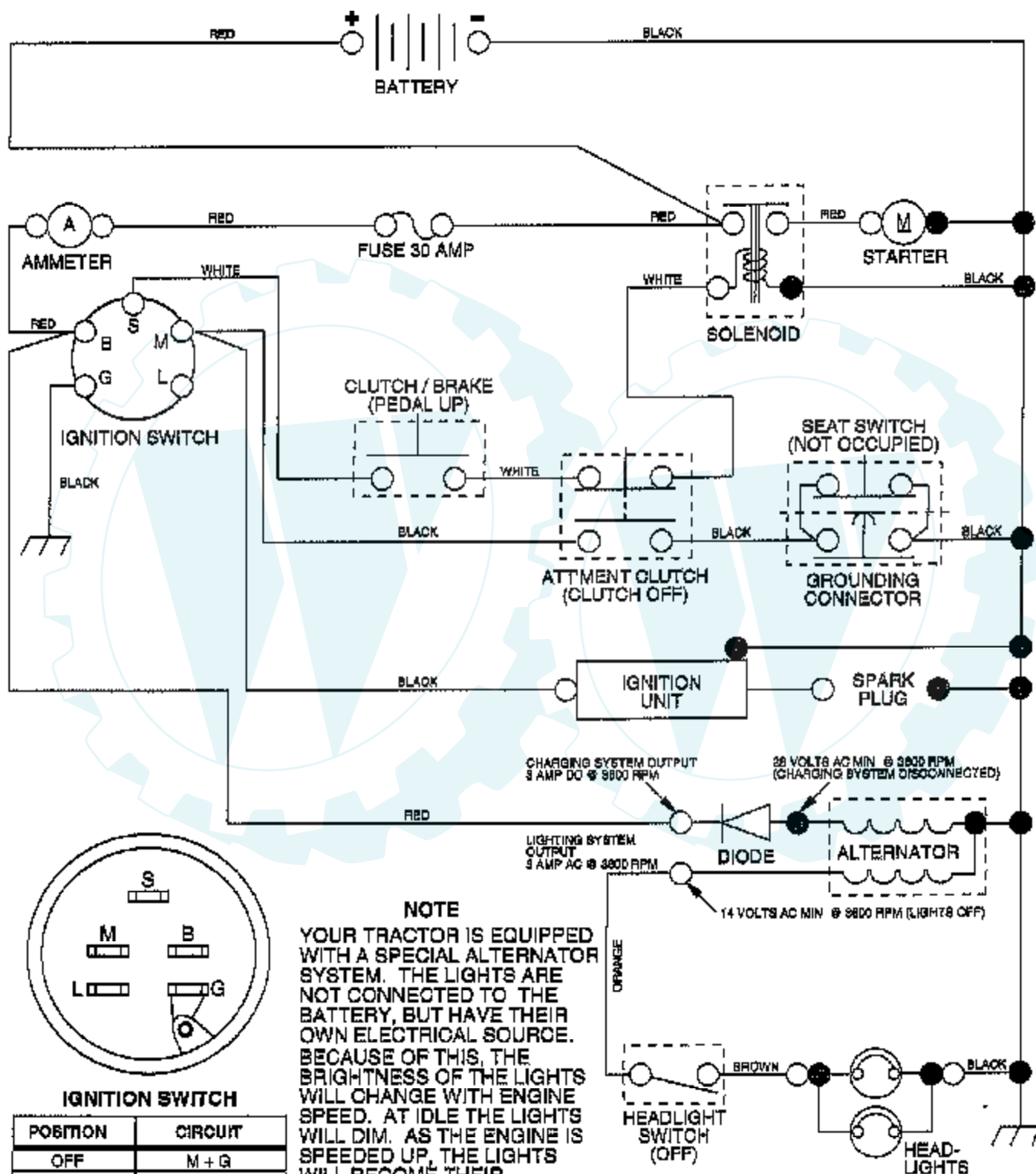


Ref #	Part Number	Qty	Description
1	136973		WIRE ASM
2	137111		SHAFT.ASM.LIFT LH
3	138284		PIN GROOVE
4	12000002		SUB= 2225J
5	19211416		WASHER
6	120183X		NYLON BEARING
7	109413X		GRIP
8	124526X		SUB= 125925X
10	122512X		SUB= 532122512
11	139865		SUB= 918139865
12	139866		SUB= 151140
13	4939M		SUB= 85902
15	127218		LINK.FRONT
16	73350800		NUT
17	130171		TRUNION
18	73800800		NUT.LK.W/WSH.1/2.
19	139868		ARM SUSP REAR
20	3146R		RETAINER.SPRING
31	140302		BEARING PVT LH
32	73810600		NUT.LOCK.3/8-24



18 HP 42" TRACTOR - - MODEL NUMBER CP1842D

SCHEMATIC



IGNITION SWITCH

POSITION	CIRCUIT
OFF	M + G
ON	B + L
START	B + S + L

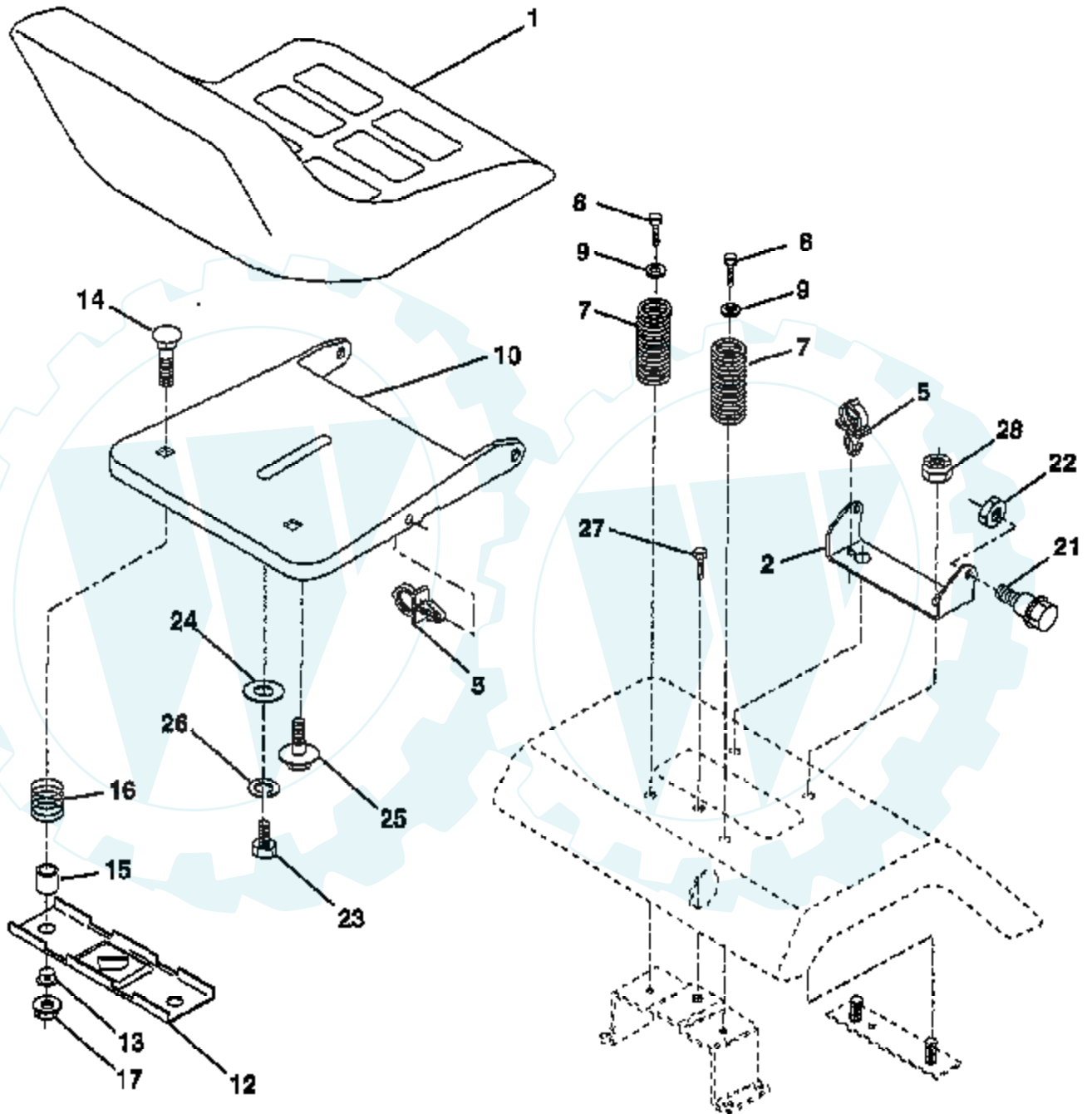
● NON-REMOVABLE CONNECTIONS

○ REMOVABLE CONNECTIONS

WIRING INSULATED CLIPS

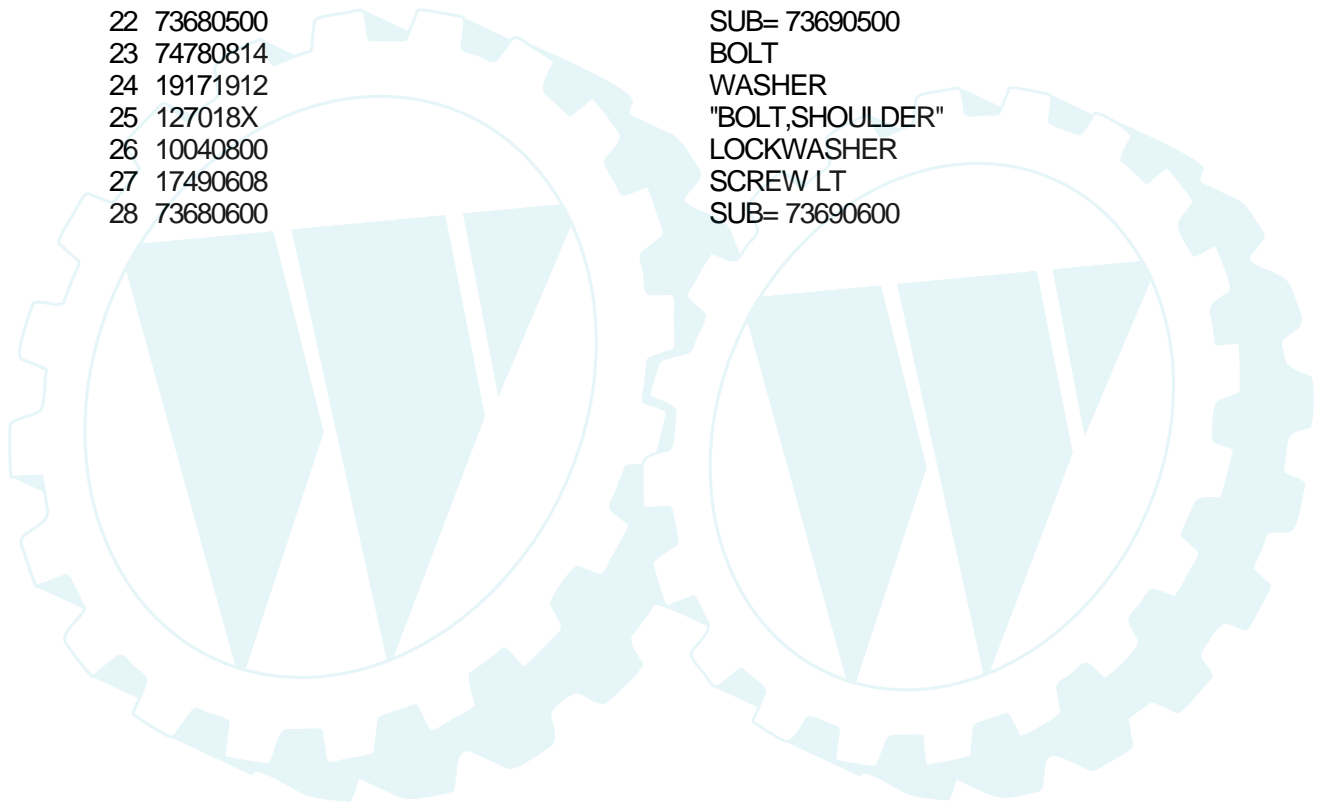
NOTE: IF WIRING INSULATED CLIPS WERE REMOVED FOR SERVICING OF UNIT, THEY SHOULD BE REPLACED TO PROPERLY SECURE YOUR WIRING.

18 HP 42" TRACTOR - - MODEL NUMBER CP1842D SEAT ASSEMBLY



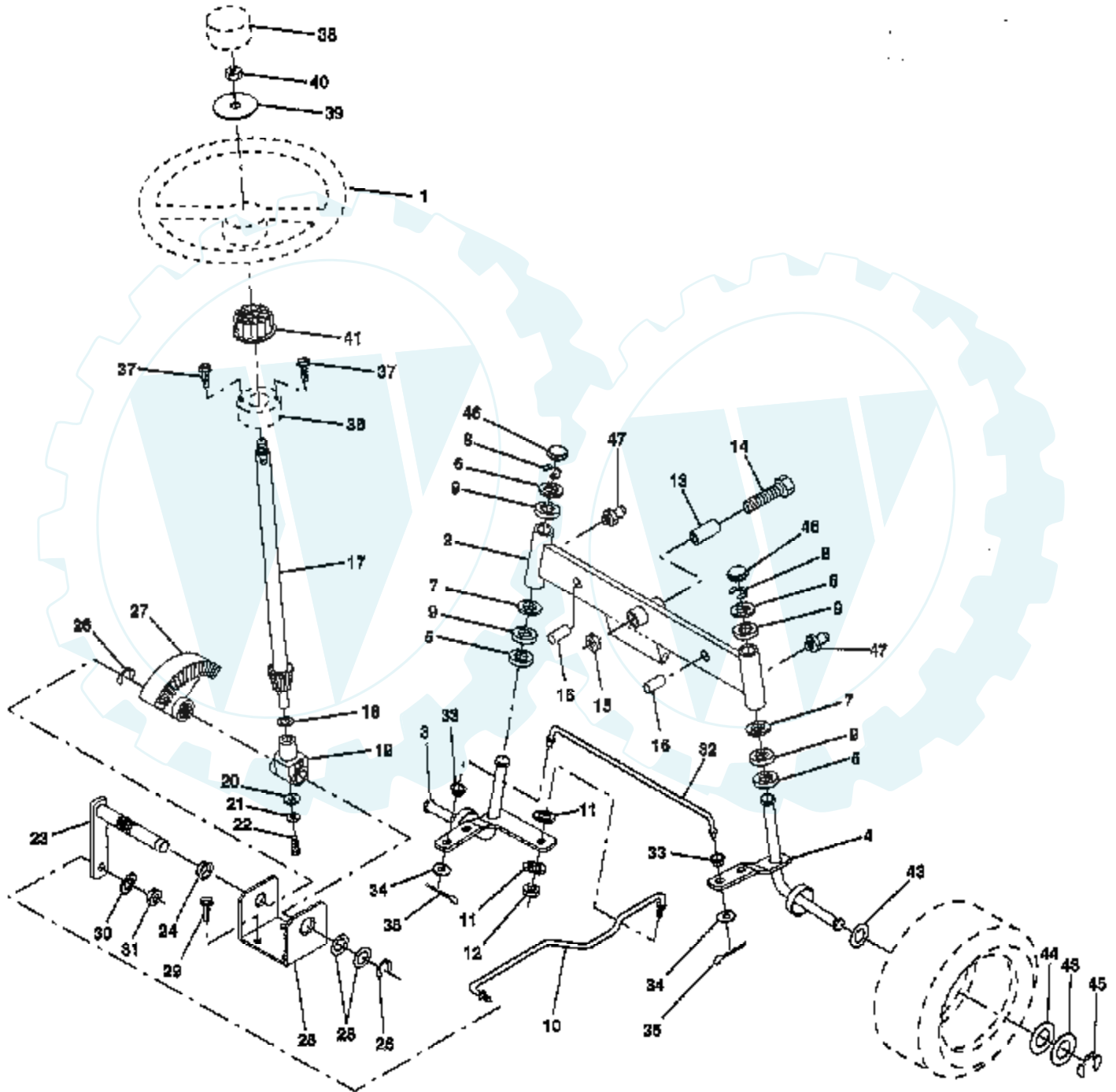
NOTE: All component dimensions given in U.S. Inches
1 Inch = 25.4 mm

Ref #	Part Number	Qty	Description
1	127429X		SUB= 140121
2	140551		BRACKET PVT SEAT
5	140407		CLIP PUSH - IN
7	124181X		SPRING COMPRESSIO
8	17490508		SCREW LT
9	19131614		WASHER
10	140552		SUB= 155925
12	121246X		BRKT SWITCH
13	121248X		BUSHING
14	72050411		SUB= 872050411
15	121249X		SPACER SPLIT
16	123740X		SPRING COMPRESSED
17	123976X		SUB= 73900400
21	139888		BOLT.SHLD.5/16-18
22	73680500		SUB= 73690500
23	74780814		BOLT
24	19171912		WASHER
25	127018X		"BOLT,SHOULDER"
26	10040800		LOCKWASHER
27	17490608		SCREW LT
28	73680600		SUB= 73690600



18 HP 42" TRACTOR -- MODEL NUMBER CP1842D

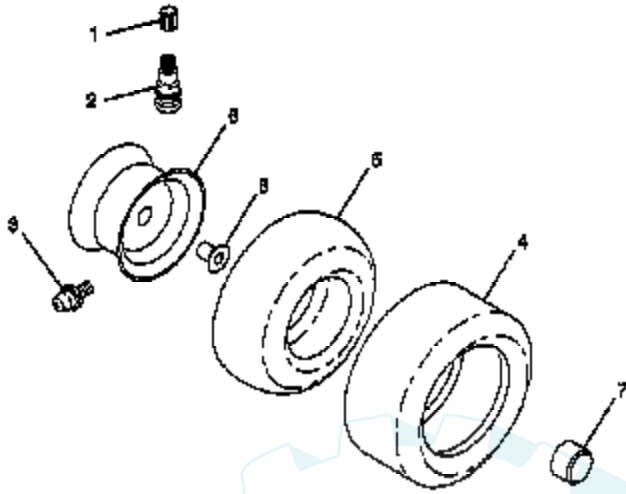
STEERING ASSEMBLY



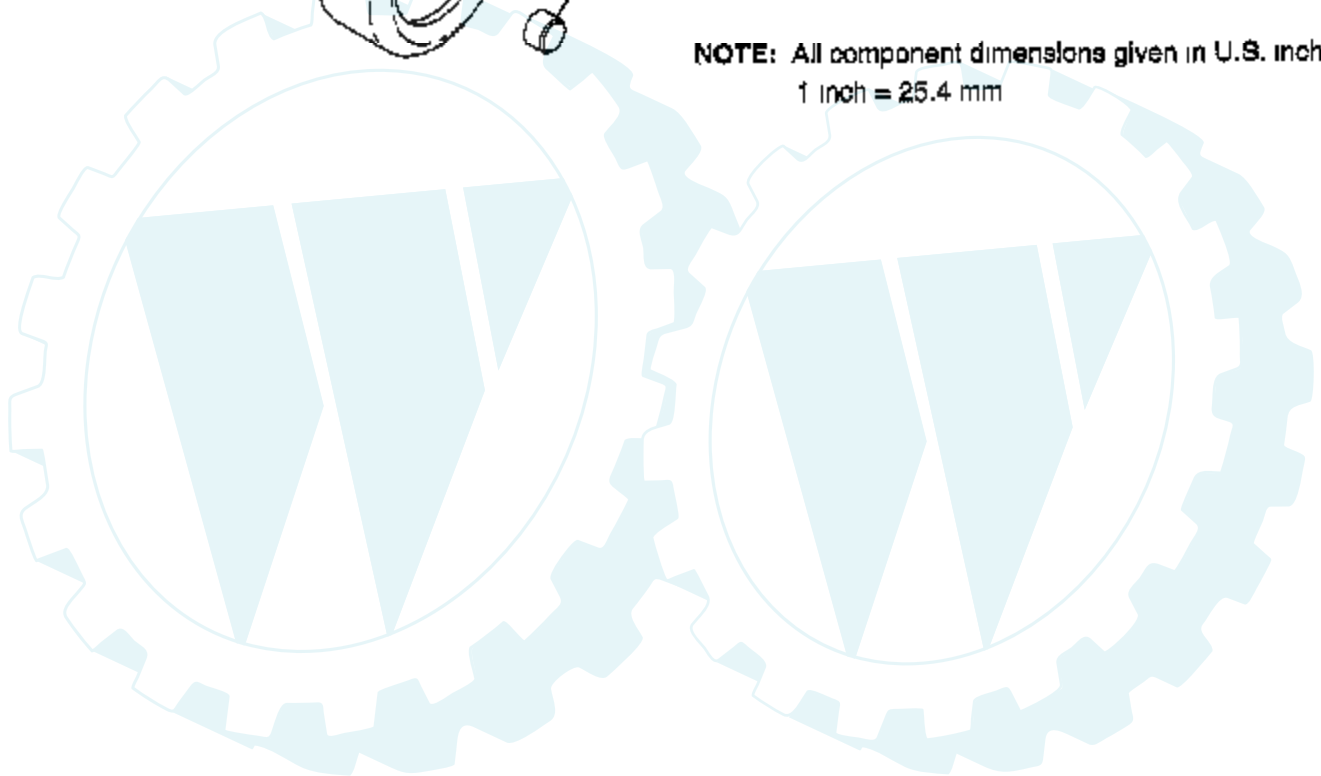
Ref #	Part Number	Qty	Description
1	121472X		SUB= 150546
2	142033		AXLE ASM FRONT
3	135227		SPINDLE LH
4	135228		SPINDLE RH
5	6266H		WASHER .T
6	121748X		WASHER
7	19272016		WASHER
8	12000029		RING
9	3366R		COL. SRTG. BEAR.
10	130468		SUB= 532130468
11	10040600		LOCKWASHER
12	73610600		SUB= 7810H
13	110438X		BEARING
14	74011056		BOLT HEX 5/8-11
15	73901000		"NUT-LOC,FLANGE LT"
16	132624		AXLE PIN
17	128758		STEERING SHAFT
18	57079		THRUST WASHER
19	124035X		SUPPORT.SHAFT
20	126684X		SUB= 532126684
21	10040400		LOCKWASHER
22	71070410		"SCREW,SPECIAL"
23	127501		SUB= 918127501
24	109816X		NYLINER T
25	124036X		"BRKT,STEERING"
26	12000029		RING
27	136874		GEAR SECTOR
28	6266H		WASHER .T
29	17490612		SCREW
30	10040600		LOCKWASHER
31	73610600		SUB= 7810H
32	130465		TIE ROD
33	126847X		BUSHING.DRAGLINK
34	19131416		WASHER
35	76020412		COTTER PIN
36	1554J		SUB= 155108
37	17431008		SUB= 98000165
38	126805X		"INSERT,STR WHEEL"
39	100712K		WASHER
40	73940800		SUB= 73360800
41	100711L		ADAPTER LT
43	121749X		WASHER
44	121748X		WASHER
45	12000029		RING
46	121232X		CAP
47	6855M		ZERK M

18 HP 42" TRACTOR - - MODEL NUMBER CP1842D

WHEELS & TIRES



NOTE: All component dimensions given in U.S. inches
1 inch = 25.4 mm



Ref #	Part Number	Qty	Description
1	59192		VALVE CAP
2	65139		VALVE STEM LT
3	278H		FITTING LT
4	106222X		SUB= 122073X
4	138468		TIRE.20X8-8
5	59904		TUBE.5.3/4.5/6
5	7152J		TUBE.18X9.5-8
6	106732X417		"RIM,FRT T"
6	106108X417		"RIM 8""
7	104757X		HUB CAP
8	9040H		"FLANGE, BEARING"

