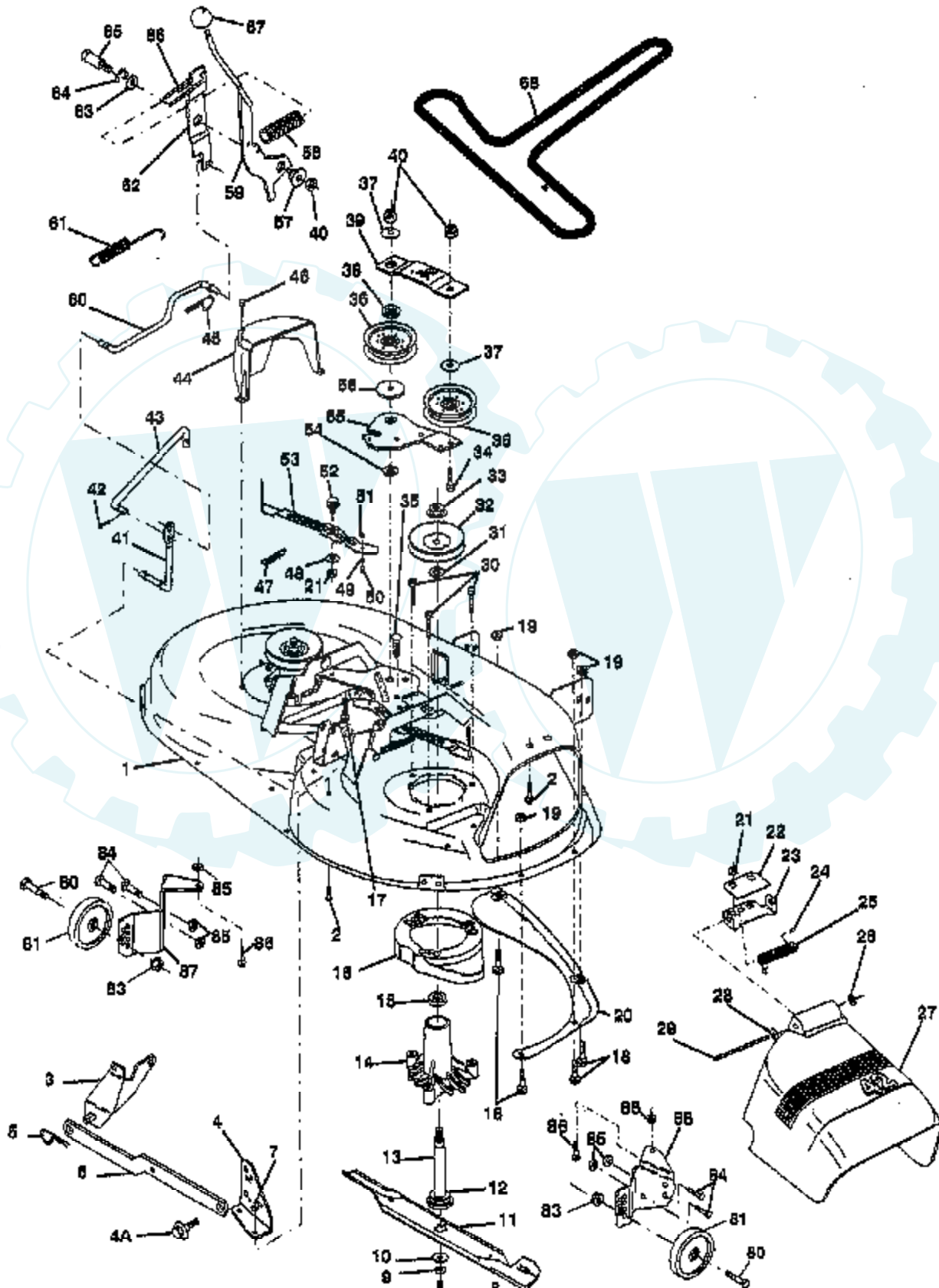


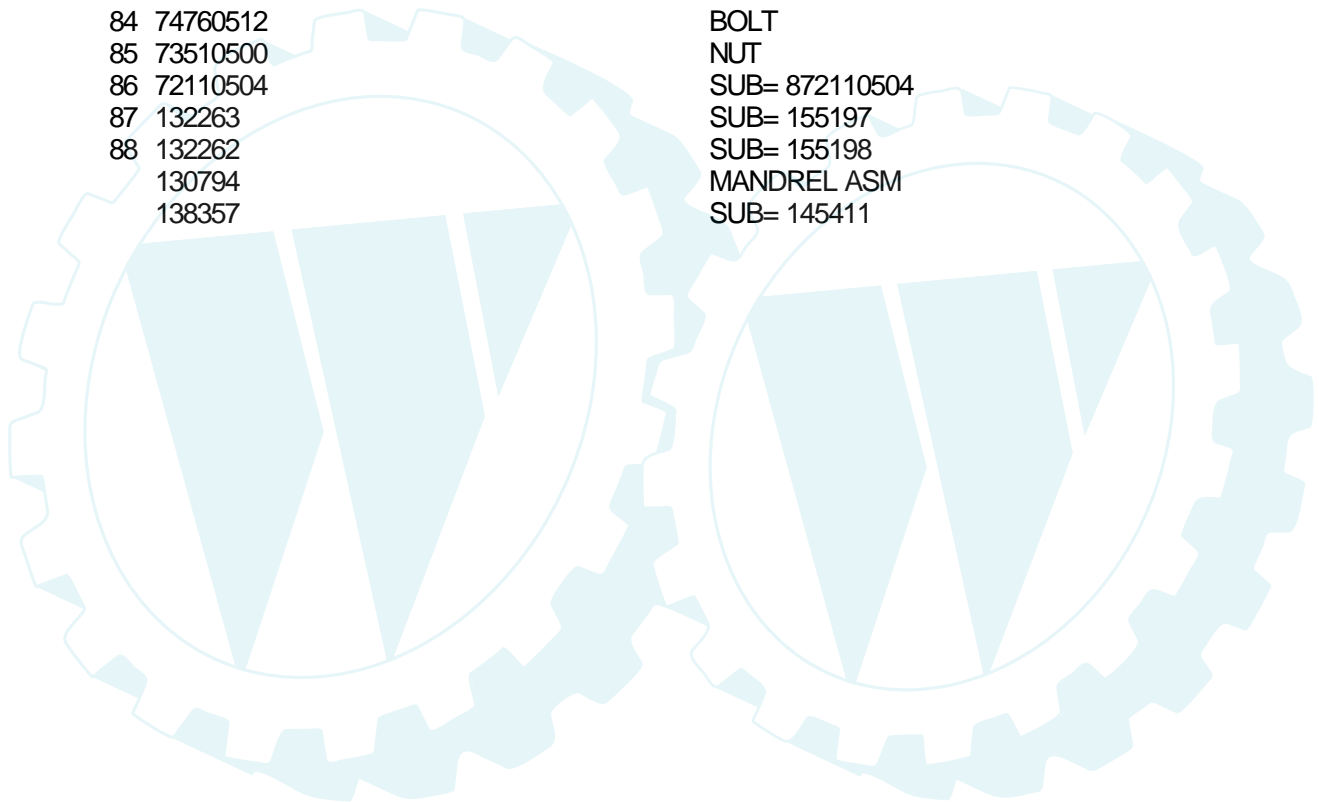
18 HP 42" TRACTOR - - MODEL NUMBER CP1842C

42" MOWER DECK



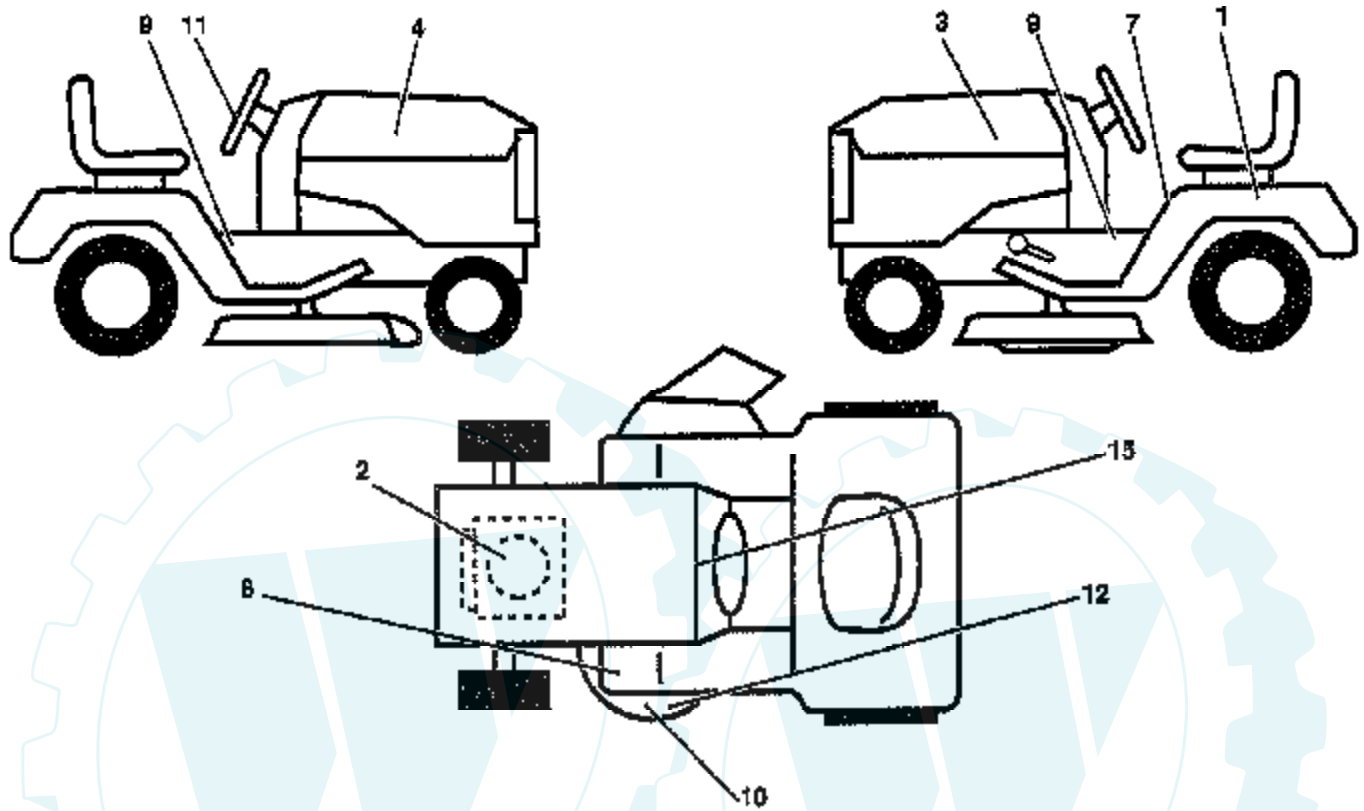
Ref #	Part Number	Qty	Description
1	138024		SUB= 145338
2	72140506		BOLT
3	138017		BRKT ASM SWAY BAR
4	138440		BRKT DECK SW BAR
4A	132827		BOLT SHD 5/16-18
5	4939M		SUB= 85902
6	130832		SUB= 130833
7	73800500		NUT
8	850857		BLADE BOLT
9	10030600		SUB= 10040600
10	129962		WASHER BLADE
11	138498		"BLADE.42"" HIPERF"
12	129895		BEARING.BALL
13	137645		SUB= 137646
14	128774		HSG ASM MANDREL
15	110485X		BEARING
16	136929		SUB= 140329
17	72110618		BOLT CARRIAGE
18	72140505		BOLT
19	73800500		NUT
20	136888		SUB= 918136888
21	73680500		SUB= 73690500
22	134753		STIFFENER BRKT
23	131267		DEFLECTOR BRKT
24	105304X		CAP-SLEEVE LT
25	123713X		SPRING TORSION
26	110452X		NUT PUSH M
27	130968		DEFLECTOR.SHIELD
28	19111016		WASHER
29	131491		HINGE ROD
30	78158		SUB= 17580520
31	129963		WASHER
32	129861		SUB= 153535
33	73050900		SUB= 139729
34	72110614		BOLT
35	133835		XMAS TREE FASTNER
36	131494		FLAT IDLER PULLEY
37	19131612		WASHER GT
38	133502		RETAINER SPACER
39	133503		IDLER ARM STIFF
40	73680600		SUB= 73690600
41	133551		PIVOT ROD
42	76020312		SUB= 3145
43	133504		CLUTCH ROD SECOND
44	134236		SUB= 140088
45	4497H		RETAINER M
46	137729		SCREW.1/4-20X5/8
47	131335		SPRING EXTENSION
48	133944		HARD SMALL WASHER
49	133940		SUB= 151785
50	131340		SHOULDER BOLT
51	69180		LOCKNUT
52	105529X		SUB= 139888
53	131845		BRAKE PAD ARM ASM
54	133943		HARDENED WASHER
55	133844		IDLER ARM
56	122052X		SPACER RETAINER
57	127498		BUSHING

Ref #	Part Number	Qty	Description
58	128759		SUB= 918128759
59	138003		LEVER.ASM.CLUTCH
60	134666		"ROD, CLUTCH PRIM"
61	131870		RETURN SPRING
62	127847		CLUTCH ARM SECOND
63	121748X		WASHER
64	12000029		RING
65	128903		SHOULDER BOLT
66	127845		SPRING KEEPER
67	132044		SUB= 532132044
68	130969		BELT-V.92.4.MWR
80	4898H		BOLT M
81	105455X		WHEEL.GAGE.BLK.PL
83	73800600		NUT
84	74760512		BOLT
85	73510500		NUT
86	72110504		SUB= 872110504
87	132263		SUB= 155197
88	132262		SUB= 155198
	130794		MANDREL ASM
	138357		SUB= 145411



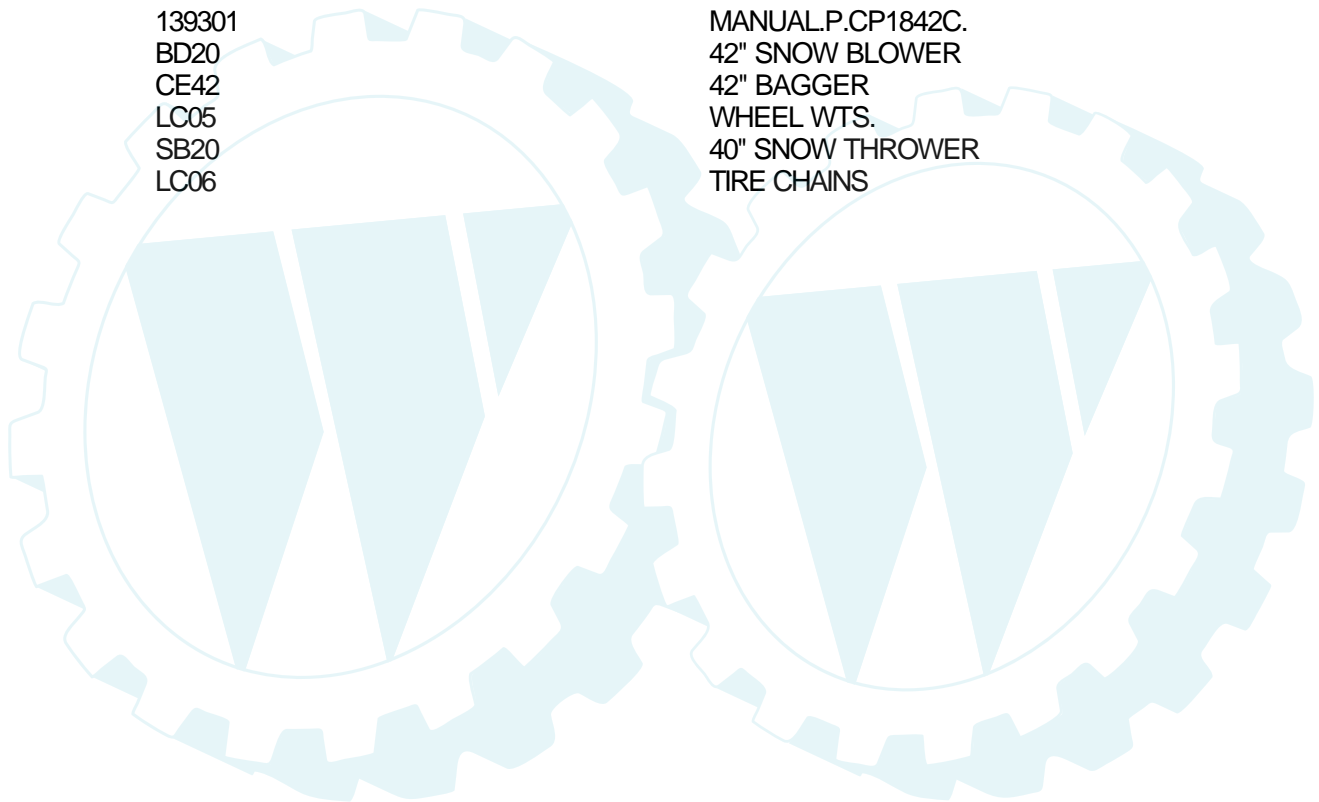
18 HP 42" TRACTOR - - MODEL NUMBER CP1842C

DECALS



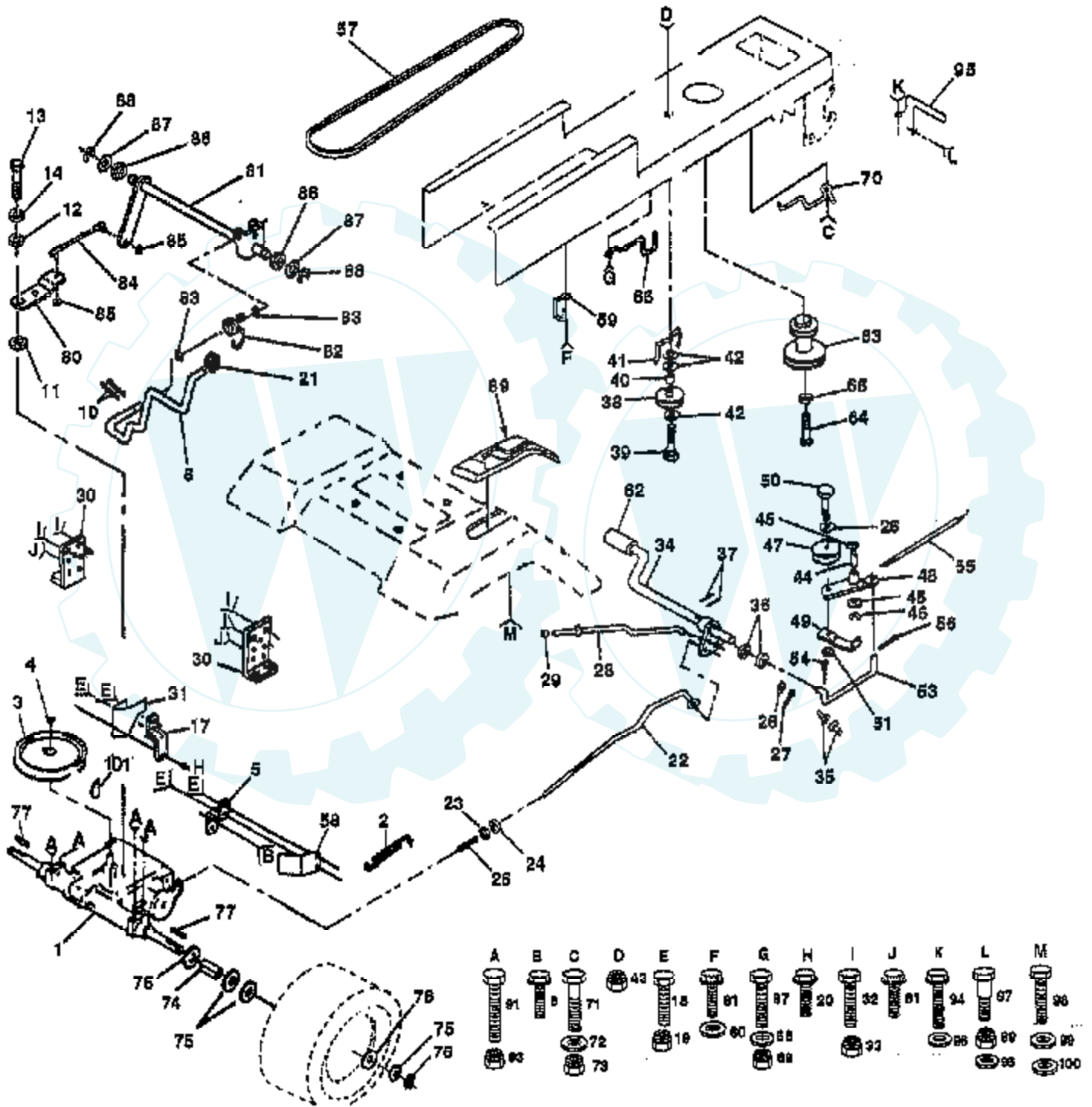
NOTE: All component dimensions given in U.S. inches.
1 inch = 25.4 mm.

Ref #	Part Number	Qty	Description
1	138841		REFER TO IMAGE
2	135429		DECAL.FEND.QUICK.
3	135581		DECAL.ENG.272757
4	135580		NLA
7	133796		DECAL HOOD STRIPE RH
8	4900J		DECAL
9	131425		DECAL T
10	133179		CHASSIS DECAL
11	139349		DECAL MWR QC SYS
12	135013		DECAL.WHL.STRG.
15	138955		NLA
	138311		DECAL.DASH.INST.
	137372		DECAL HANDLE LIFT
	139301		MANUAL
	BD20		MANUAL.P.CP1842C.
	CE42		42" SNOW BLOWER
	LC05		42" BAGGER
	SB20		WHEEL WTS.
	LC06		40" SNOW THROWER
			TIRE CHAINS



18 HP 42" TRACTOR - - MODEL NUMBER CP1842C

DRIVE











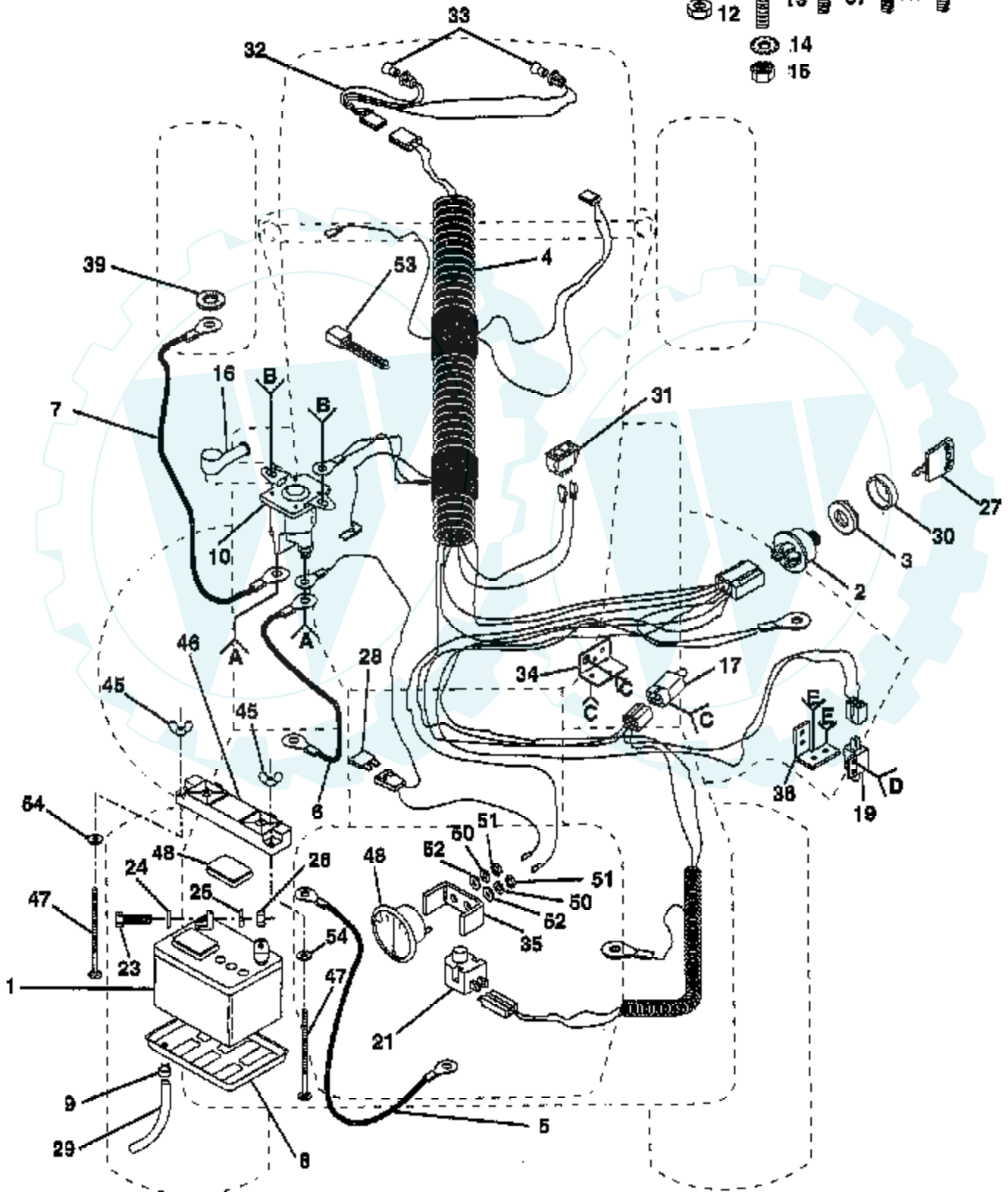
Ref #	Part Number	Qty	Description
1	137369		SUB= 137367
2	110422X		SUB= 146682
3	123667X		"PULLEY,TRANSAXLE"
4	12000028		SUB= 2267J
5	121520X		STRAP TORQUE
6	17490512		SCREW
8	127288X		"ROD,SHIFTER "
10	76020416		PIN COTTER 1/8
11	105701X		WASH-SHFT PLT LT
12	19151216		WASHER
13	71040412		SUB= 74550412
14	10040400		LOCKWASHER
17	121520X		STRAP TORQUE
18	74760612		SUB= 74780612
19	73680600		SUB= 73690600
20	17490512		SCREW
21	106933X		KNOB T (1/2-HOLE)
22	130804		BRAKE ROD
23	73800600		NUT
24	73350600		NUT
25	106888X		SPRING ROD LT
26	19131316		WASHER
27	76020412		COTTER PIN
28	133261		BRAKE PARK ROD
29	71673		PLUNGER CAP T
30	130807		TRANSAXLE MTG BKT
31	127289		"KEEPER,BELT LH"
32	74760512		BOLT
33	73680500		SUB= 73690500
34	122424X		SUB= 149001
35	120183X		NYLON BEARING
36	19211616		WASHER LT
37	1572H		SUB= 2882J
38	123674X		PULLEY.IDLER.FLAT
39	74760644		BOLT
40	4470J		SPACER T
41	109070X		BELT KEEPER LT
42	19131312		WASHER
43	73680600		SUB= 73690600
44	105706X		"LY, BEARING"
45	110812X		WASHER LT
46	12000039		KLIP RING
47	127783		SUB= 139245
48	123789X		ARM IDLER
49	123205X		RETAIN BELT
50	74760624		SUB= 74930624
51	73680600		SUB= 73690600
53	105710X		"LINK, CLUTCH T"
54	76020412		COTTER PIN
55	105709X		"SPRING, RETURN LT"
56	76020412		COTTER PIN
57	131006		BELT-V
58	127290		"KEEPER,BELT RH"
59	136715		SUB= 140312
60	19131312		WASHER
61	17490612		SCREW
62	8883R		PEDAL COVER T
63	134825		SUB= 136004

Ref #	Part Number	Qty	Description
64	71170764		BOLT
65	10040700		LOCKWASHER
66	129921		KEEPER.BELT.ENG.L
67	74760616		BOLT
68	19131312		WASHER
69	73680600		SUB= 73690600
70	134683		KEEPER BELT ENG
71	74760616		BOLT
72	19132012		WASHER
73	73680600		SUB= 73690600
74	109502X		SPACER LT
75	121749X		WASHER
76	12000001		E-RING LT
77	123583X		SQUARE KEY
78	121748X		WASHER
80	131487		ARM SHIFT TRANS
81	136933		SHAFT ASM.SHIFT
82	123782X		"SPRING,TORSION"
83	19171216		WASHER
84	132183		TIE ROD
85	73530400		NUT 1/4-28
86	71208		BUSHING
87	19212016		WASHER D
88	12000008		KLIP RING
89	127287X		SUB= 532127287
91	74760540		BOLT
93	73680500		SUB= 73690500
94	17490616		SCREW GTV
95	135029		MUFFLER GUARD
96	19131616		WASHER HYT
97	72110608		BOLT D
98	74640808		SCREW
99	10100800		"WASHER,LOCK"
100	19060718		WASHER
101	2228M		SUB= 2228M1

18 HP 42" TRACTOR -- MODEL NUMBER CP1842C

ELECTRICAL

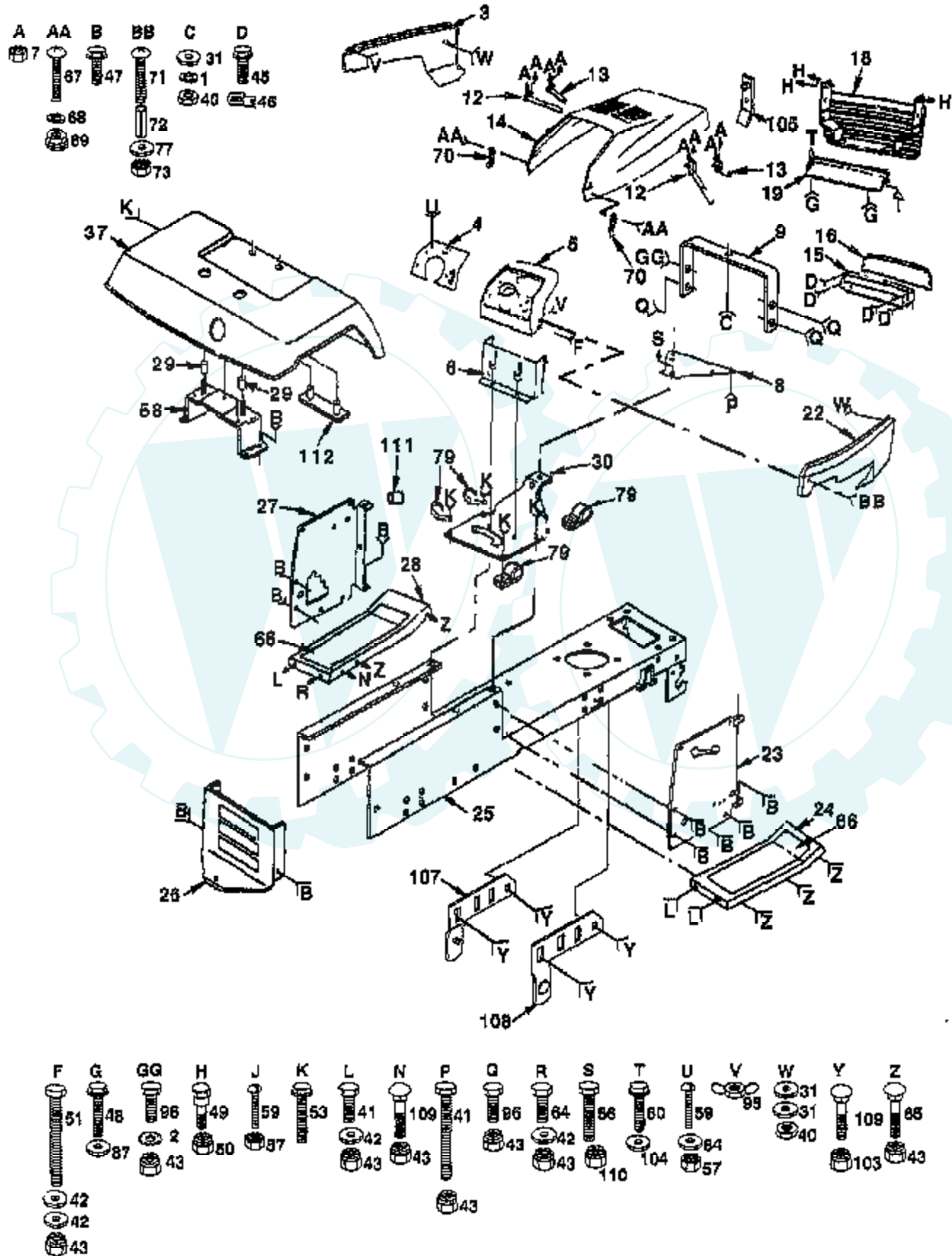
- | A | B | C | D | E |
|--|--|--|--|--|
|  11 |  13 |  37 |  20 |  35 |
|  12 | | | | |
| |  14 | | | |
| |  15 | | | |



Ref #	Part Number	Qty	Description
			REFER TO IMAGE
1	121265X		SUB= 123899X
2	4406R		SUB= STD365402
3	124211X		NUT IGNITION
4	134298		IGNITION HARNESS
5	4207J		CABLE T
6	4206J		CABLE-BATTERY T
7	4799J		"CABLE T, BATTERY"
8	7603J		"TRAY T, BATTERY"
9	109596X		HOSE CLAMP T
10	138406		SUB= 146154
11	10090400		SUB= 10040400
12	73350400		NUT
13	74780408		BOLT
14	11050400		LOCKWASHER
15	73510400		NUT
16	131563		SUB= 154336
17	109553X		SWITCH INTERLOCKT
19	104445X		SWITCH-INTER. GT
20	17021008		SCREW
21	121305X		SWITCH SEAT
22	121264X		"CAP,BATTERY "
23	74760412		BOLT LT
24	19091016		WASHER
25	10040400		LOCKWASHER
26	73220400		SUB= 50675
27	122147X		KEY
28	108824X		FUSE HYT
29	7697J		"DRAIN TU T, BATT"
30	123620X		SUB= 141226
31	110712X		SWITCH LT
32	136850		"HARNESS,LIGHT SOC"
33	7662J		SUB= 4152J
34	108236X		BRACKET LT
35	17021008		SCREW
36	130890		SWITCH BRACKET
37	17021008		SCREW
39	11150400		LOCKWASHER
45	123198X		SUB= 146525
46	102476X		SUB= 150109
47	72240460		BOLT
48	9433R		AMMETER T
49	131708		SUB= 532131708
50	10101000		SUB= 10071000
51	73911000		NUT
52	19070818		WASHER
53	7192J		WIRE TIE
54	19121618		WASHER.3/4X1X18GA

18 HP 42" TRACTOR - - MODEL NUMBER CP1842C

ENCLOSURES



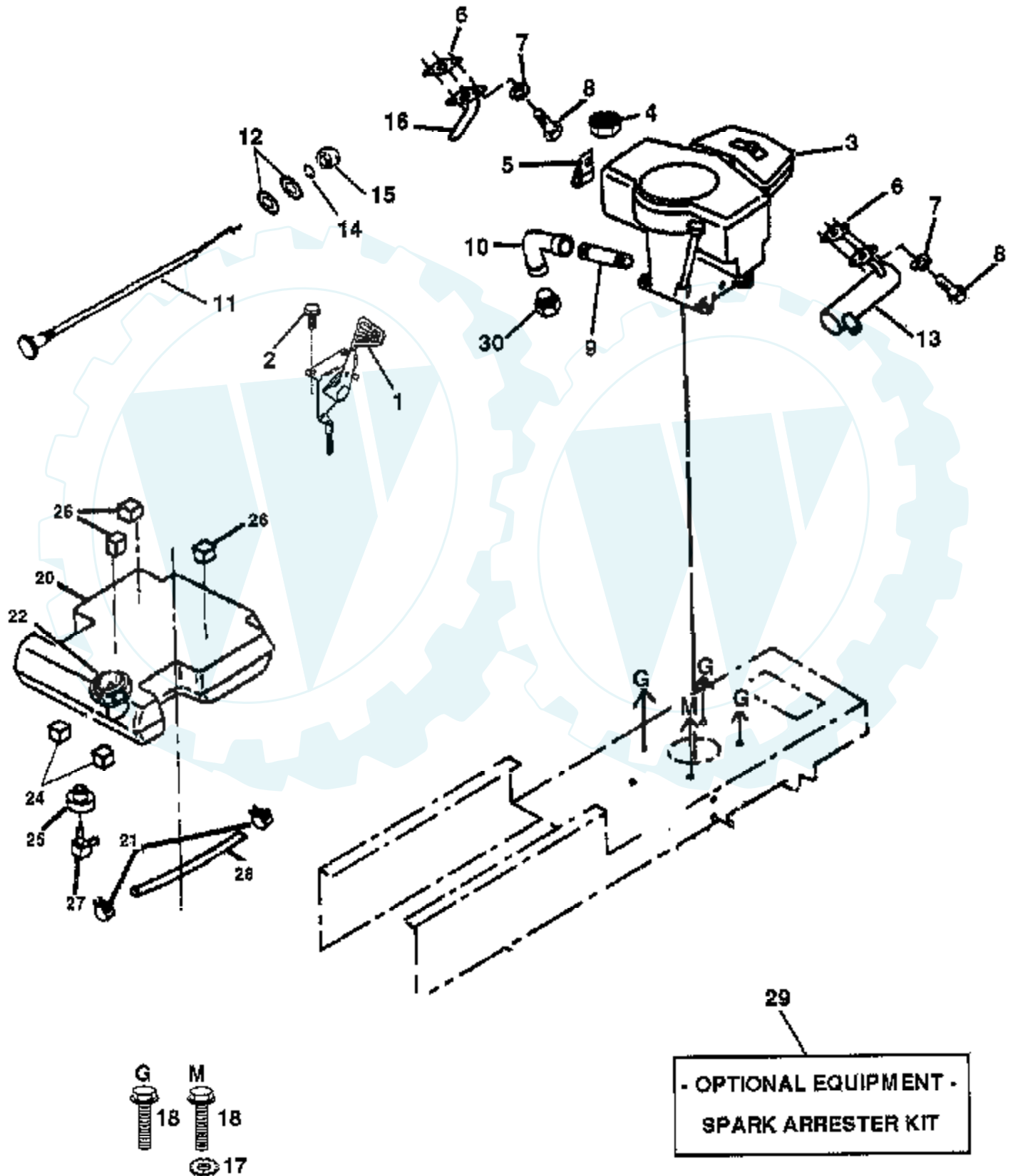
Ref #	Part Number	Qty	Description
1	10040400		LOCKWASHER
2	11050600		LOCKWASHER
3	132637X417		"PANEL,SIDE LH"
4	135040X026		PLATE.SLKSCR.DASH
5	124252X		SUB= 140398
6	132177		LOWER DASH
7	73510400		NUT
8	137654		SUB= 140181
9	124130X		SUPPORT ASSY
12	106784X		SUB= 155013
13	104618X		SUB= 155013
14	132635X510		HOOD
15	124392X417		SUB= 147717
16	106395X		LENS LT
18	131716		SUB= 532131716
19	105419X417		"STRAP,GRILL"
22	137655X417		"PANEL, SIDE RH"
23	132069		SUB= 532132069
24	105464X417		SUB= 145243X417
25	135034		SUB= 145501
26	137275		SUB= 145009
27	132178		DASH PANEL LH
28	105465X417		SUB= 145244X417
29	105531X		NUT-PUSH YT
30	123783X016		SADDLE.YT.GOOSE N
31	19091216		WASHER PM
37	123784X510		FENDER
40	73220400		SUB= 50675
41	74760612		SUB= 74780612
42	19131312		WASHER
43	73680600		SUB= 73690600
45	17211010		SCREW LT
46	104755X		""J"" FASTENER LT"
47	17490612		SCREW
48	17490512		SCREW
49	123481X		SUB= 7605J
50	73680400		SUB= 73690400
51	74760620		SUB= 74780620
53	17490608		SCREW LT
56	74780512		BOLT
57	73510500		NUT
58	137113		BRKT.ASM.FENDER
59	74180512		SCREW
60	17490412		SCREW HEX CRT
64	74760614		SUB= 74760616
65	72110606		BOLT
66	133671		FOOTREST PAD
67	74191008		SCREW
68	10071000		LOCKWASHER
69	2029J		WELDNUT
70	109808X		HOOD LATCH T
71	74981020		SCREW
72	7206J		SPACER LT
73	73731000		NUT
77	19070818		WASHER
79	2751R		CLIP T
84	19111116		WASHER
87	19131210		WASHER

Ref #	Part Number	Qty	Description
95	123198X		SUB= 146525
96	74760616		BOLT
103	73800600		NUT
104	19091016		WASHER
105	132644		SUB= 532132644
107	134774		PIVOT BRKT LH
108	134775		PIVOT BRKT RH
109	72140608		SUB= 72110608
110	73680500		SUB= 73690500
111	110436X		SUB= 9151R
112	105511X		SUB= 140675



18 HP 42" TRACTOR - - MODEL NUMBER CP1842C

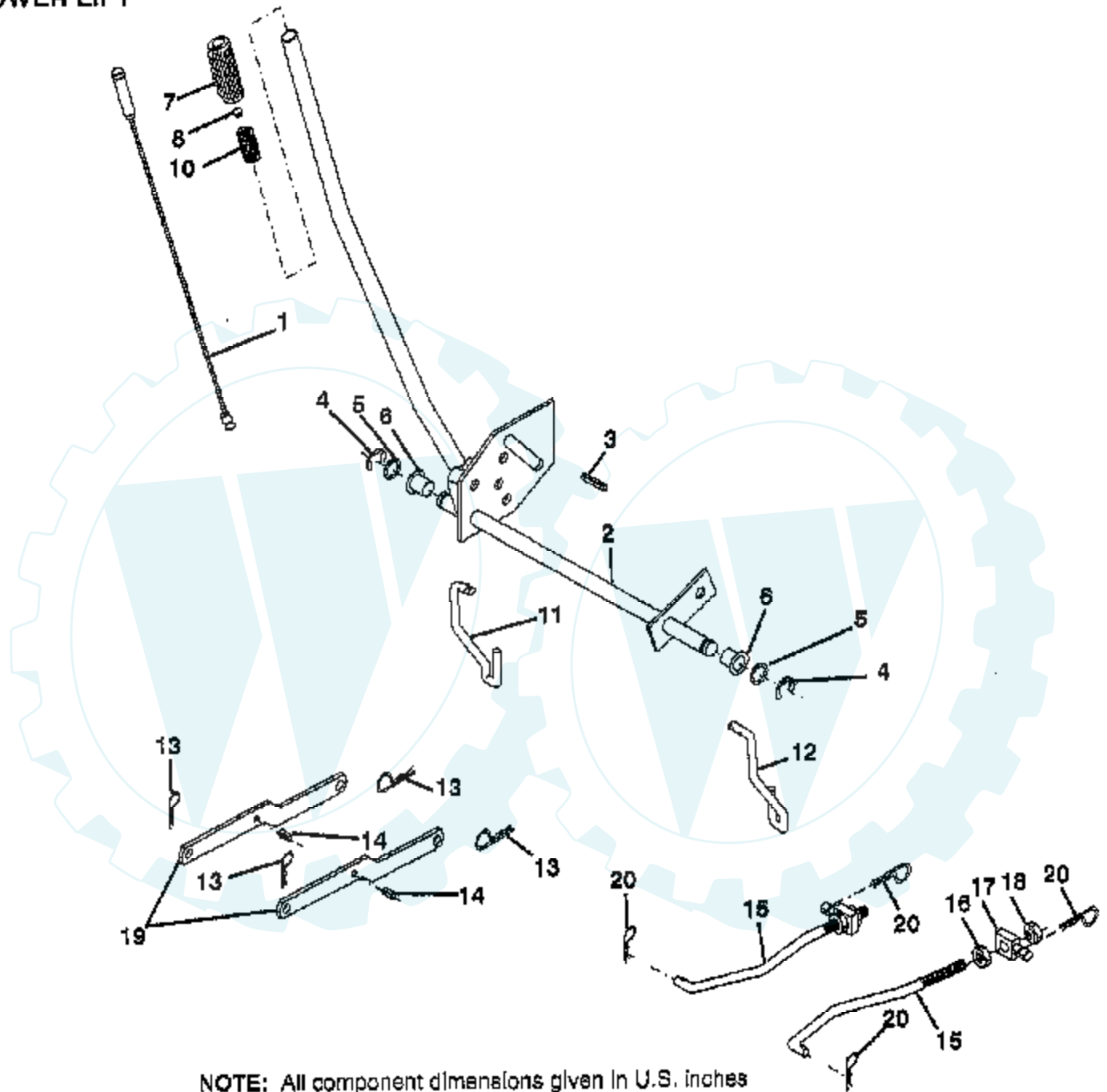
ENGINE



Ref #	Part Number	Qty	Description
1	132747		SUB= 532132748
2	17720410		SCREW LT
3			CHECK WITH SUPPLIER
4	73510600		NUT
5	2751R		CLIP T
6	8545J		SUB= 272250
7	10040400		LOCKWASHER
8	74780412		SUB= 74780414
9	13280336		PIPE NIPPLE LT
10	13200300		ELBOW
11	132781		CHOKE CONTROL
12	19131316		WASHER
13	108373X		MUFFLER HYT
14	11050600		LOCKWASHER
15	73610600		SUB= 7810H
16	100229L		EXHAUST TUBE T
17	11050600		LOCKWASHER
18	17490624		SCREW LT
20	127334X		SUB= 151346
21	123487X		HOSE CLAMP
22	123549X		SUB= 158990
24	109227X		PAD IDLER TI
25	3645J		BUSHING OUTLET T
26	106082X		PAD-SPACER LT
27	8710J		FUEL TANK STEM GT
28	7834R		SUB= 8542R
29	132922		SPARK ARREST KIT
30			CHECK WITH SUPPLIER

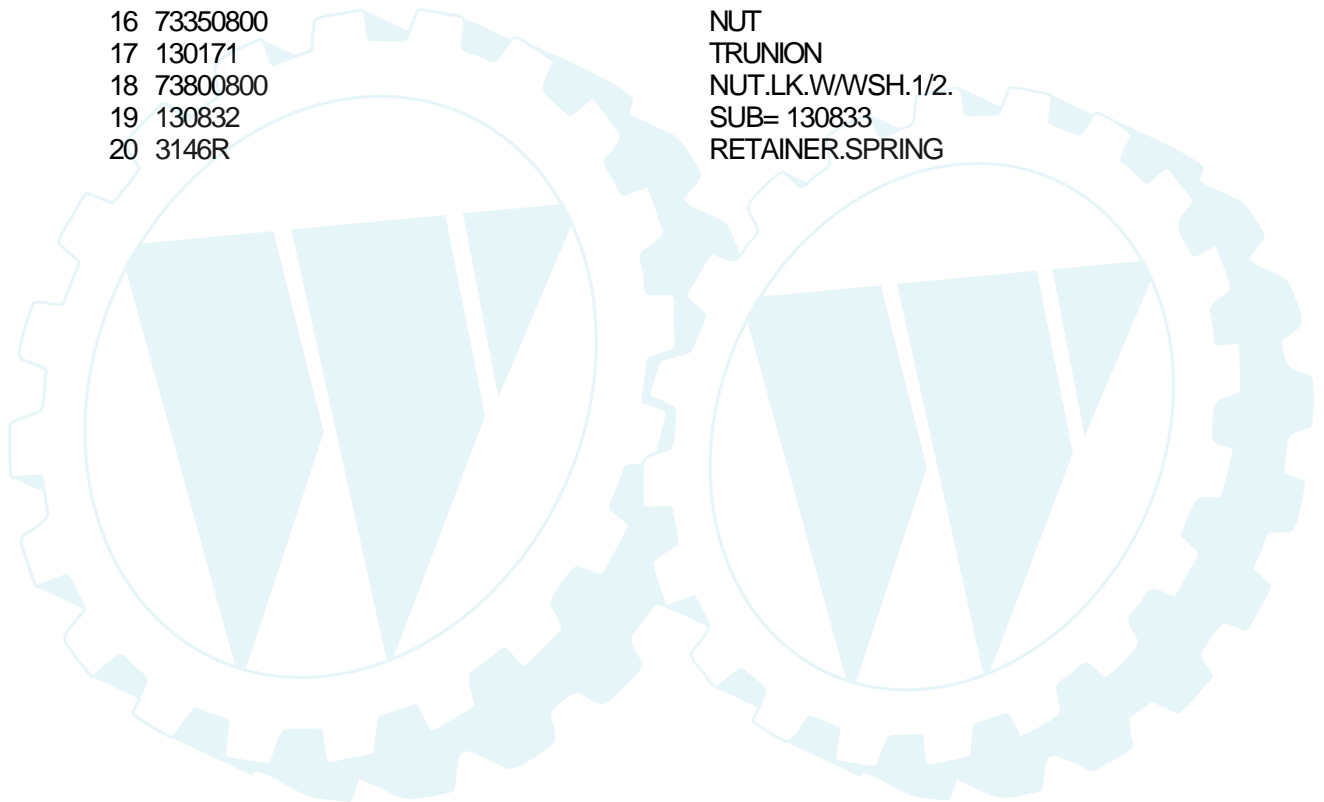
18 HP 42" TRACTOR - - MODEL NUMBER CP1842C

MOWER LIFT



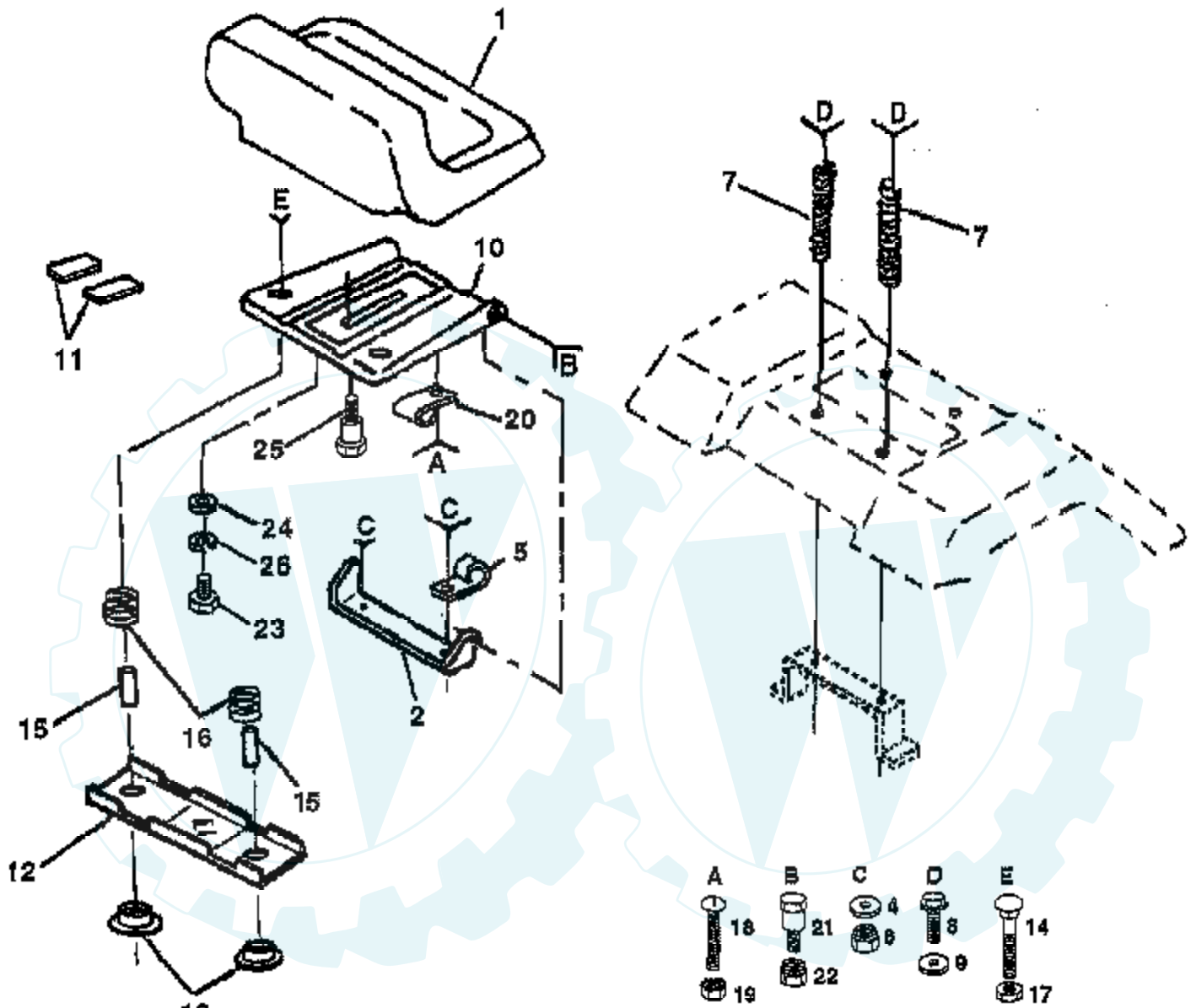
NOTE: All component dimensions given in U.S. inches
1 inch = 25.4 mm

Ref #	Part Number	Qty	Description
1	136973		WIRE ASM
2	137111		SHAFT.ASM.LIFT LH
3	138284		PIN GROOVE
4	12000002		SUB= 2225J
5	19211416		WASHER
6	120183X		NYLON BEARING
7	109413X		GRIP
8	124526X		SUB= 125925X
10	122512X		SUB= 532122512
11	134619		LINK LIFT LH
12	135388		LIFT LINK RH
13	4939M		SUB= 85902
14	135563		"PIN,SPRING"
15	127218		LINK.FRONT
16	73350800		NUT
17	130171		TRUNION
18	73800800		NUT.LK.W/WSH.1/2.
19	130832		SUB= 130833
20	3146R		RETAINER.SPRING



18 HP 42" TRACTOR - - MODEL NUMBER CP1842C

SEAT ASSEMBLY

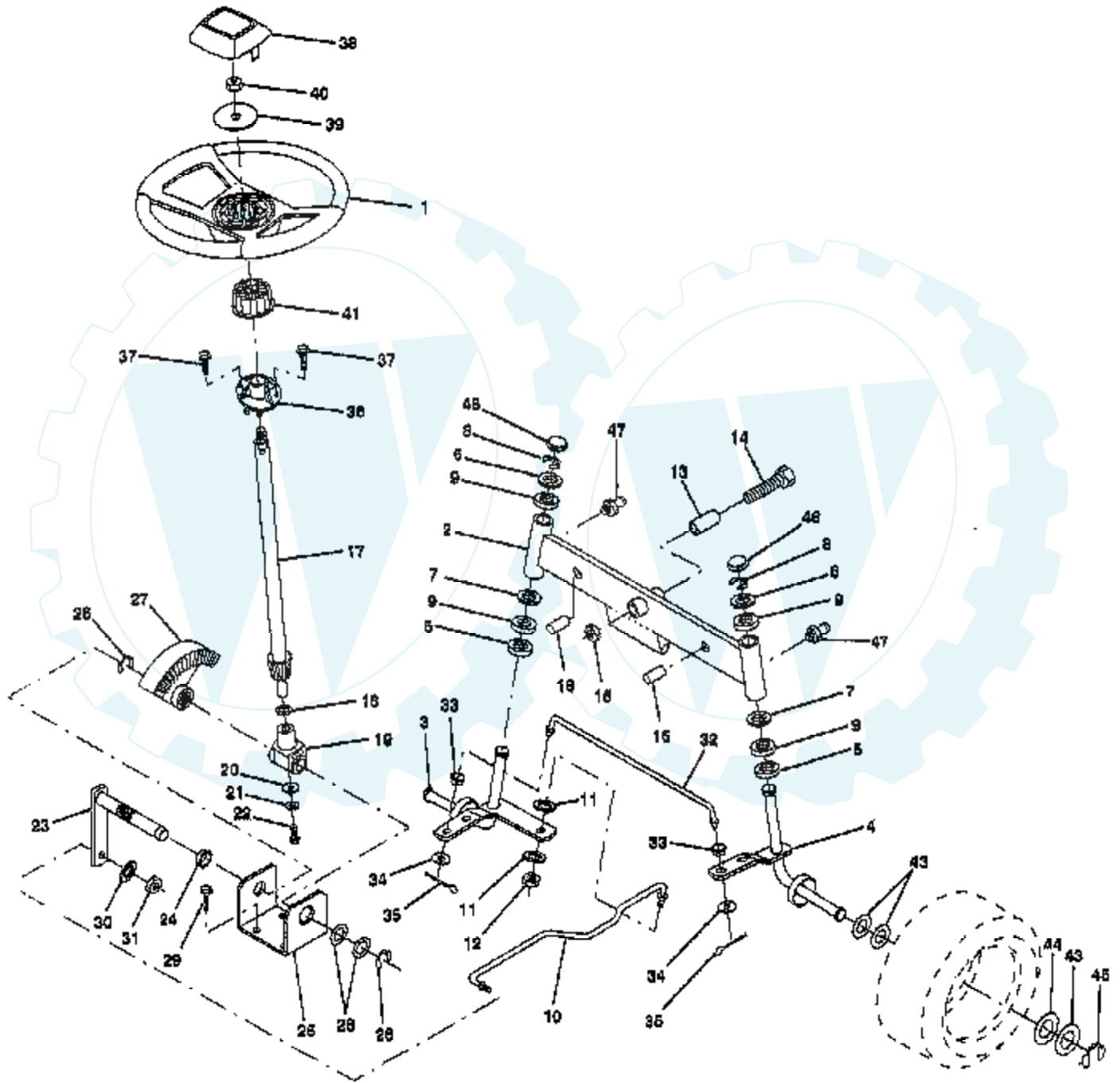


NOTE: All component dimensions given in U.S. inches
1 Inch = 25.4 mm

Ref #	Part Number	Qty	Description
1	127429X		SUB= 140121
2	126656X		SUB= 140551
3	74760612		SUB= 74780612
4	19131210		WASHER
5	2751R		CLIP T
6	73680600		SUB= 73690600
7	124181X		SPRING COMPRESSIO
8	17490508		SCREW LT
9	19131614		WASHER
10	131451		SUB= 155925
11	121251X		STRIP FORM
12	121246X		BRKT SWITCH
13	121248X		BUSHING
14	72050411		SUB= 872050411
15	121249X		SPACER SPLIT
16	123740X		SPRING COMPRESSED
17	123976X		SUB= 73900400
18	74641008		SUB= 71031008
19	73951000		"NUT,KEPS"
20	4171R		CLIP T
21	105529X		SUB= 139888
22	73680500		SUB= 73690500
23	74780814		BOLT
24	19171912		WASHER
25	127018X		"BOLT,SHOULDER"
26	10040800		LOCKWASHER
27	73680600		SUB= 73690600

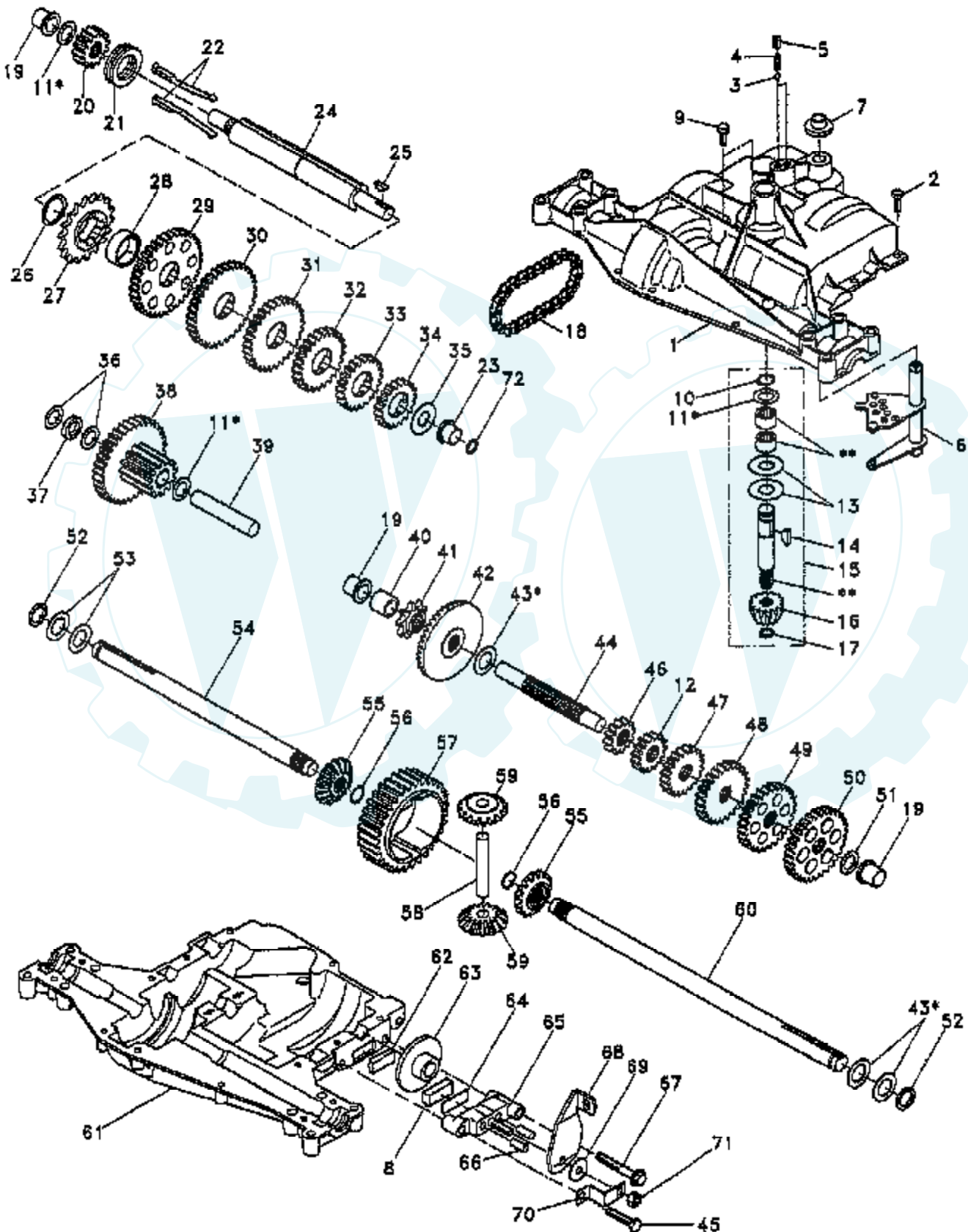
18 HP 42" TRACTOR - - MODEL NUMBER CP1842C

STEERING ASSEMBLY



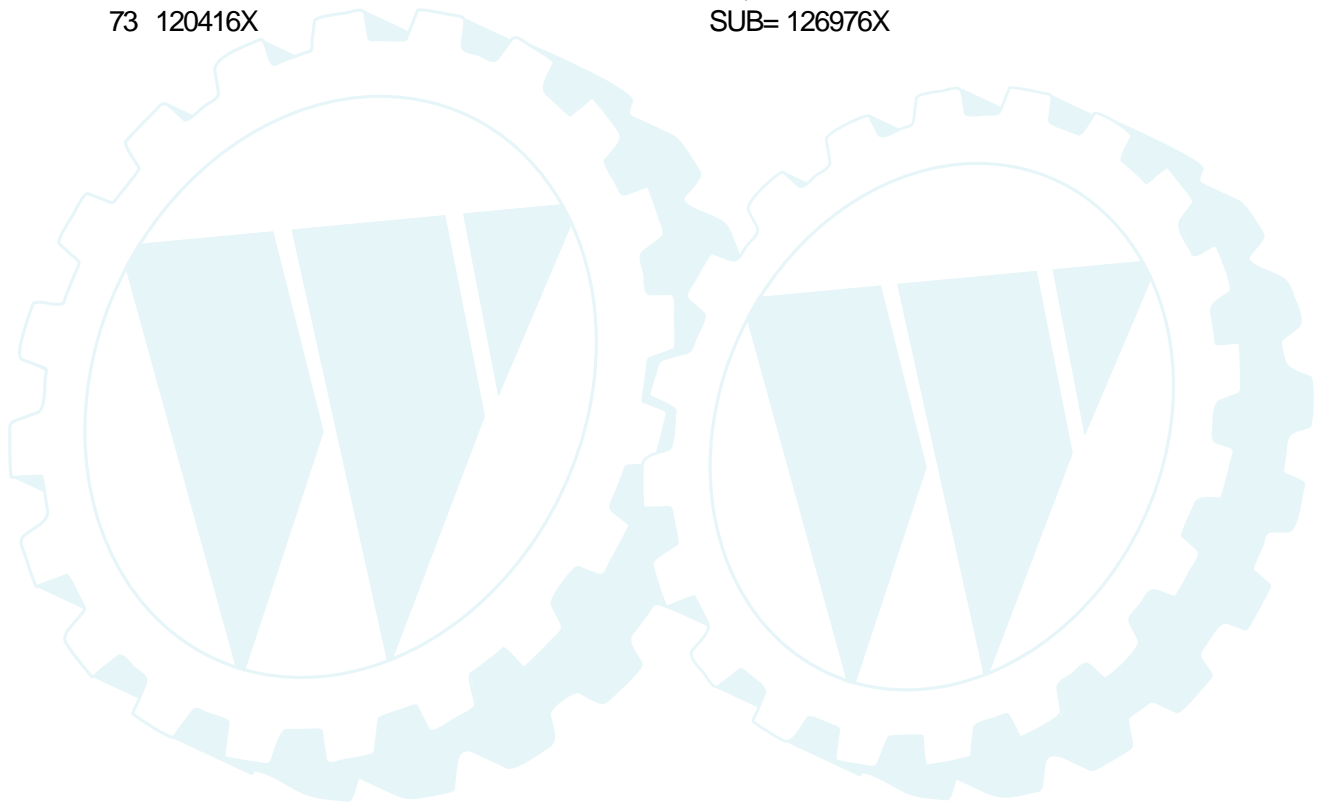
Ref #	Part Number	Qty	Description
1	121472X		SUB= 150546
2	133988		SUB= 142033
3	135227		SPINDLE LH
4	135228		SPINDLE RH
5	6266H		WASHER .T
6	121748X		WASHER
7	19272016		WASHER
8	12000029		RING
9	3366R		COL. SRTG. BEAR.
10	130468		SUB= 532130468
11	10040600		LOCKWASHER
12	73610600		SUB= 7810H
13	110438X		BEARING
14	74011056		BOLT HEX 5/8-11
15	73601000		SUB= 73901000
16	132624		AXLE PIN
17	128758		STEERING SHAFT
18	57079		THRUST WASHER
19	124035X		SUPPORT.SHAFT
20	126684X		SUB= 532126684
21	10040400		LOCKWASHER
22	71070410		"SCREW,SPECIAL"
23	127501		SUB= 918127501
24	109816X		NYLINER T
25	124036X		"BRKT,STEERING"
26	12000029		RING
27	136874		GEAR SECTOR
28	6266H		WASHER .T
29	17490612		SCREW
30	10040600		LOCKWASHER
31	73610600		SUB= 7810H
32	130465		TIE ROD
33	126847X		BUSHING.DRAGLINK
34	19131416		WASHER
35	76020412		COTTER PIN
36	1554J		SUB= 155108
37	17431008		SUB= 98000165
38	126805X		"INSERT,STR WHEEL"
39	100712K		WASHER
40	73940800		SUB= 73360800
41	100711L		ADAPTER LT
43	121749X		WASHER
44	121748X		WASHER
45	1200029		KLIP, RING
46	121232X		CAP
47	6855M		ZERK M

18 HP 42" TRACTOR - - MODEL NUMBER CP1842C TRANSAXLE DANA - - MODEL NUMBER 4360-54



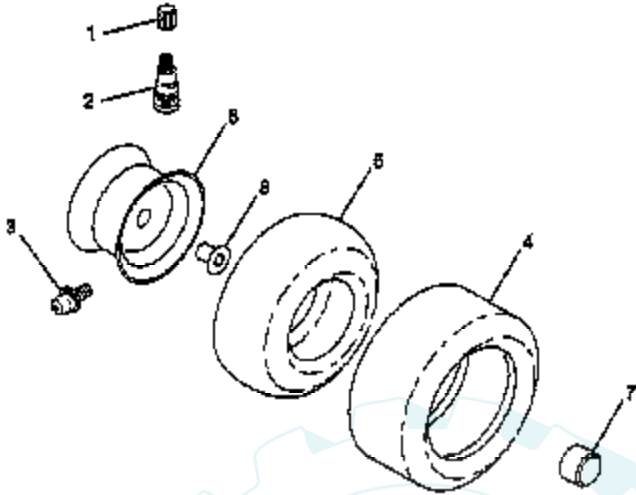
Ref #	Part Number	Qty	Description
1	138248		SUB= 160951
2	2274J		SUB= 74760412
3	134400		SUB= 68003
4	105904X		"SPRING, DETENT LT"
5	105905X		"SCREW, SET LT"
6	134788		SHIFTER.ASM.KIT.
7	134399		SHIFTER BOOT
8	120951X		PUCK T
9	134791		SCREW TAP W/SEAL
10	2267J		RETAINING RING LT
11	134793		ASM KIT SHIM 4689
12	106151X		SUB= 144893
13	120415X		WASHER T
14	2257J		WOODRUFF KEY
15	106846X		SUB= 167148
16	106095X		SUB= 95-8060-6F
17	105909X		"RING,RETAINING LT"
18	105910X		"CHAIN,24 PTCH LT"
19	105911X		BEARING.FLNG.5510
20	138242		GEAR SPUR 14T
21	138246		COLLAR CLUTCH
22	138237		KIT.ASM.CLUTCH KY
23	138240		"FLANGE, BEARING"
24	138243		SHAFT INTERM
25	2244J		WOODRUFF KEY
26	105916X		"RING,RETAINING LT"
27	120470X		SPROCKET 18T T
28	110070X		SPACER YT
29	108977X		KIT.GEAR.12/37TH
30	109254X		SUB= 144893
31	124644X		GEAR SPUR 30T
32	108980X		GEAR 25T LT
33	120406X		GEAR SPUR 22 TT
34	134796		SPUR GEAR 19T
35	105925X		"WASHER, PLAIN LT"
36	2232J		WASHER 025
37	108978X		SPACER
38	110079X		ASSM GEAR COMB
39	124639X		SHAFT IDLER
40	120472X		SPACER T
41	105928X		SPROCKET 9T LT
42	106605X		SUB= 167148
43	134394		ASM KIT SHIM
44	120473X		SHAFT T
45	106596X		"SCREW, TAPPING LT"
46	105933X		SUB= 108977X
47	120407X		SUB= 124641X
48	106589X		"GEAR, SPUR 25T LT"
49	120408X		GEAR 28T T
50	105937X		"GEAR, SPUR 31T LT"
51	2226J		WASHER 060
52	134401		NEOPRENE WASHER
53	2264J		WASHER 031
54	120474X		SUB= 154658
55	120409X		GEAR LT
56	105941X		"RING,RETAINING LT"
57	110071X		SUB= 120478X
58	120952X		SHAFT T

Ref #	Part Number	Qty	Description
59	106592X		"GEAR,MITER 15T YT"
60	120475X		SUB= 154659
61	138247		SUB= 160951
62	120961X		PUCK T
63	7294J		BRAKE DISC. T
64	108989X		SPACER LT
65	120953X		SUB= 918120953X
66	120954X		PIN T
67	134799		TAP SCREW
68	138244		SUB= 108992X
69	108996X		WASHER LT
70	120956X		NLA
71	73810500		NUT.LOCK.5/16-24
72	138241		SQUARE RING
73	120416X		SUB= 126976X



18 HP 42" TRACTOR - - MODEL NUMBER CP1842C

WHEELS & TIRES



NOTE: All component dimensions given in U.S. inches.
1 inch = 25.4 mm.

Ref #	Part Number	Qty	Description
1	59192		VALVE CAP
2	65139		VALVE STEM LT
3	278H		FITTING LT
4	106222X		SUB= 122073X
4	138468		TIRE.20X8-8
5	59904		TUBE.5.3/4.5/6
5	7152J		TUBE.18X9.5-8
6	106732X361		SUB= 106732X417
6	106108X361		SUB= 106108X417
7	104757X		HUB CAP
8	9040H		"FLANGE, BEARING"

