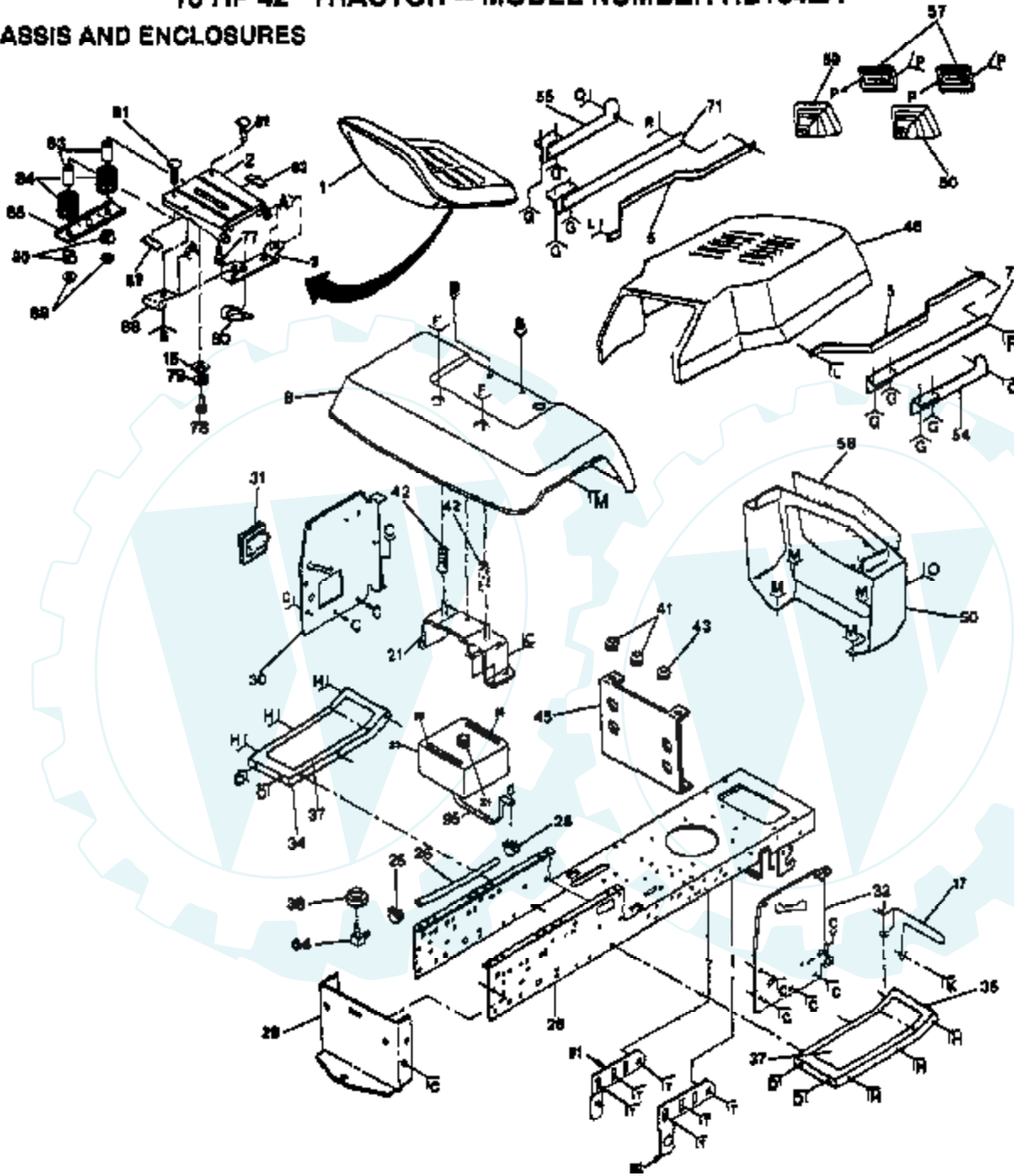


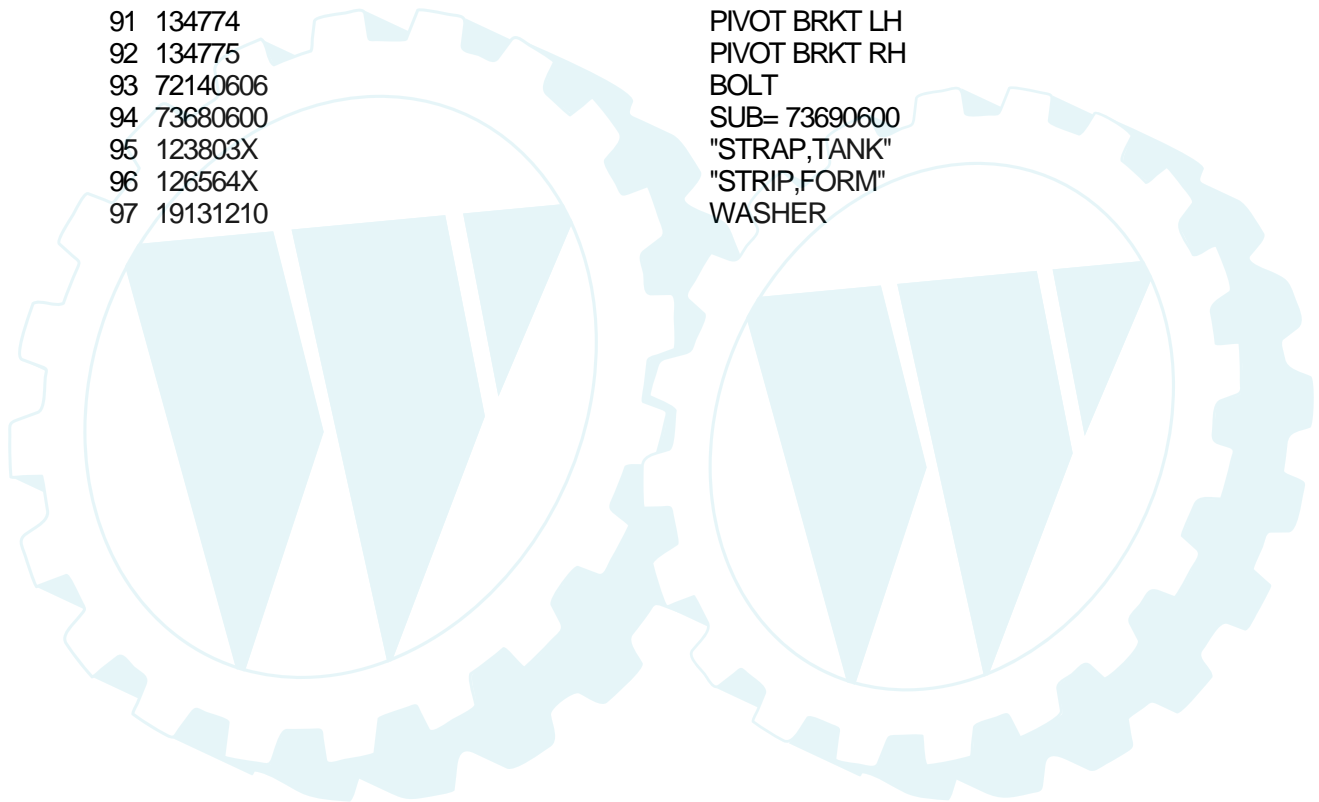
### 18 HP 42" TRACTOR -- MODEL NUMBER RE1842A CHASSIS AND ENCLOSURES



- |                    |                     |                     |                     |                     |                     |                     |                      |                           |                            |                      |                      |                      |                            |                            |                      |                      |
|--------------------|---------------------|---------------------|---------------------|---------------------|---------------------|---------------------|----------------------|---------------------------|----------------------------|----------------------|----------------------|----------------------|----------------------------|----------------------------|----------------------|----------------------|
| <b>A</b><br>4<br>6 | <b>B</b><br>13<br>7 | <b>C</b><br>11<br>7 | <b>D</b><br>13<br>7 | <b>F</b><br>20<br>7 | <b>G</b><br>72<br>7 | <b>H</b><br>26<br>7 | <b>J</b><br>66<br>67 | <b>K</b><br>62<br>67<br>7 | <b>L</b><br>33<br>39<br>74 | <b>M</b><br>49<br>70 | <b>O</b><br>69<br>70 | <b>P</b><br>58<br>70 | <b>Q</b><br>73<br>44<br>48 | <b>R</b><br>75<br>44<br>48 | <b>S</b><br>86<br>87 | <b>T</b><br>93<br>84 |
|--------------------|---------------------|---------------------|---------------------|---------------------|---------------------|---------------------|----------------------|---------------------------|----------------------------|----------------------|----------------------|----------------------|----------------------------|----------------------------|----------------------|----------------------|

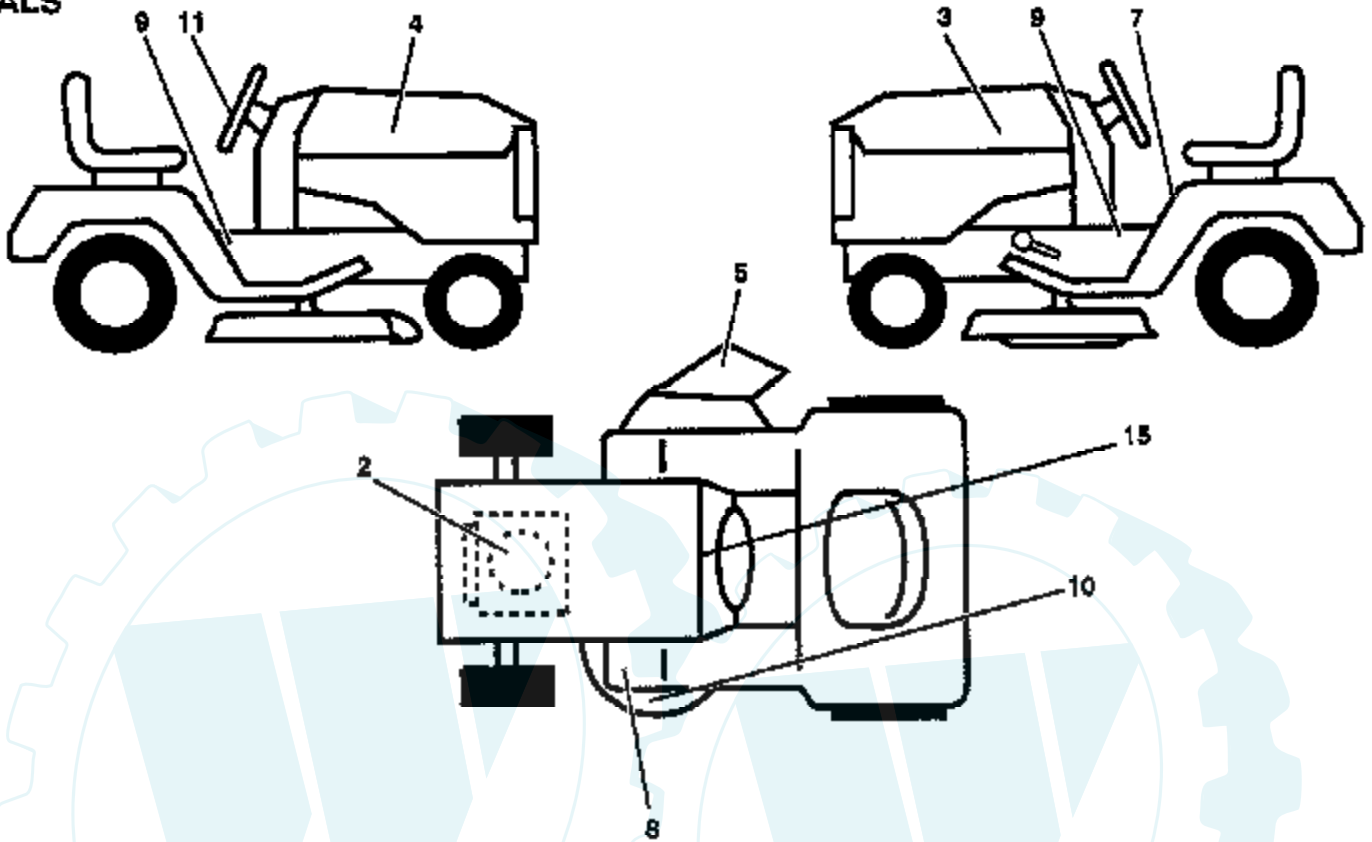
| Ref # | Part Number | Qty | Description       |
|-------|-------------|-----|-------------------|
| 1     | 133680      |     | SUB= 140121       |
| 2     | 131451      |     | SUB= 155925       |
| 3     | 126656X     |     | SUB= 140551       |
| 4     | 105529X     |     | SUB= 139888       |
| 5     | 109587X     |     | NLA               |
| 6     | 73680500    |     | SUB= 73690500     |
| 7     | 73680600    |     | SUB= 73690600     |
| 8     | 109872X419  |     | FENDER            |
| 11    | 17490612    |     | SCREW             |
| 12    | 19131312    |     | WASHER            |
| 13    | 74760612    |     | SUB= 74780612     |
| 15    | 19171912    |     | WASHER            |
| 17    | 135029      |     | MUFFLER GUARD     |
| 20    | 19131614    |     | WASHER            |
| 21    | 109873X     |     | SUB= 136619       |
| 23    | 124067X     |     | SUB= 136251       |
| 24    | 123549X     |     | SUB= 158990       |
| 25    | 123487X     |     | HOSE CLAMP        |
| 26    | 5277J       |     | SUB= 8543R        |
| 28    | 135034      |     | SUB= 145501       |
| 29    | 130805      |     | SUB= 145009       |
| 30    | 132072      |     | SUB= 532132072    |
| 31    | 121794X     |     | COVER ACCESS      |
| 32    | 132071      |     | SUB= 532132071    |
| 33    | 74760412    |     | BOLT LT           |
| 34    | 105465X419  |     | SUB= 145244X419   |
| 35    | 105464X419  |     | FOOTREST RH       |
| 36    | 72110606    |     | BOLT              |
| 37    | 131864      |     | "PAD,FOOTREST"    |
| 38    | 3645J       |     | BUSHING OUTLET T  |
| 39    | 10040400    |     | LOCKWASHER        |
| 41    | 9151R       |     | SNAP BUSHING T    |
| 42    | 124181X     |     | SPRING COMPRESSIO |
| 43    | 110436X     |     | SUB= 9151R        |
| 44    | 19090816    |     | WASHER            |
| 45    | 104920X     |     | NLA               |
| 46    | 3607J366    |     | SUB= 3607J419     |
| 48    | 73680400    |     | SUB= 73690400     |
| 49    | 17490608    |     | SCREW LT          |
| 50    | 5351J419    |     | GRILL T           |
| 54    | 677A876     |     | STRAP ASSY T      |
| 55    | 677A875     |     | STRAP ASSY T      |
| 56    | 101235L     |     | SCREEN GRILL GTV  |
| 57    | 109671X     |     | LENS T            |
| 58    | 17990808    |     | SCREW             |
| 59    | 7606J366    |     | SUB= 7606J361     |
| 60    | 7607J366    |     | SUB= 7607J361     |
| 63    | 74760616    |     | BOLT              |
| 64    | 8710J       |     | FUEL TANK STEM GT |
| 66    | 17490616    |     | SCREW GTV         |
| 67    | 19131616    |     | WASHER HYT        |
| 69    | 17511208    |     | SCREW             |
| 70    | 8019J       |     | SUB= 19071018     |
| 71    | 677A432     |     | STRAP ASSY-REAR T |
| 72    | 17411310    |     | SUB= 17521312     |
| 73    | 7605J       |     | BOLT T            |
| 74    | 73220400    |     | SUB= 50675        |
| 75    | 124549X     |     | "BOLT,SHOULDER"   |

| Ref # | Part Number | Qty | Description       |
|-------|-------------|-----|-------------------|
| 77    | 127018X     |     | "BOLT,SHOULDER"   |
| 78    | 74780814    |     | BOLT              |
| 79    | 10040800    |     | LOCKWASHER        |
| 80    | 2751R       |     | CLIP T            |
| 81    | 72050411    |     | SUB= 872050411    |
| 82    | 121251X     |     | STRIP FORM        |
| 83    | 121249X     |     | SPACER SPLIT      |
| 84    | 123740X     |     | SPRING COMPRESSED |
| 85    | 121246X     |     | BRKT SWITCH       |
| 86    | 74641008    |     | SUB= 71031008     |
| 87    | 73951000    |     | "NUT,KEPS"        |
| 88    | 4171R       |     | CLIP T            |
| 89    | 123976X     |     | SUB= 73900400     |
| 90    | 121248X     |     | BUSHING           |
| 91    | 134774      |     | PIVOT BRKT LH     |
| 92    | 134775      |     | PIVOT BRKT RH     |
| 93    | 72140606    |     | BOLT              |
| 94    | 73680600    |     | SUB= 73690600     |
| 95    | 123803X     |     | "STRAP,TANK"      |
| 96    | 126564X     |     | "STRIP,FORM"      |
| 97    | 19131210    |     | WASHER            |



### 18 HP 42" TRACTOR - - MODEL NUMBER CP1842A

#### DECALS



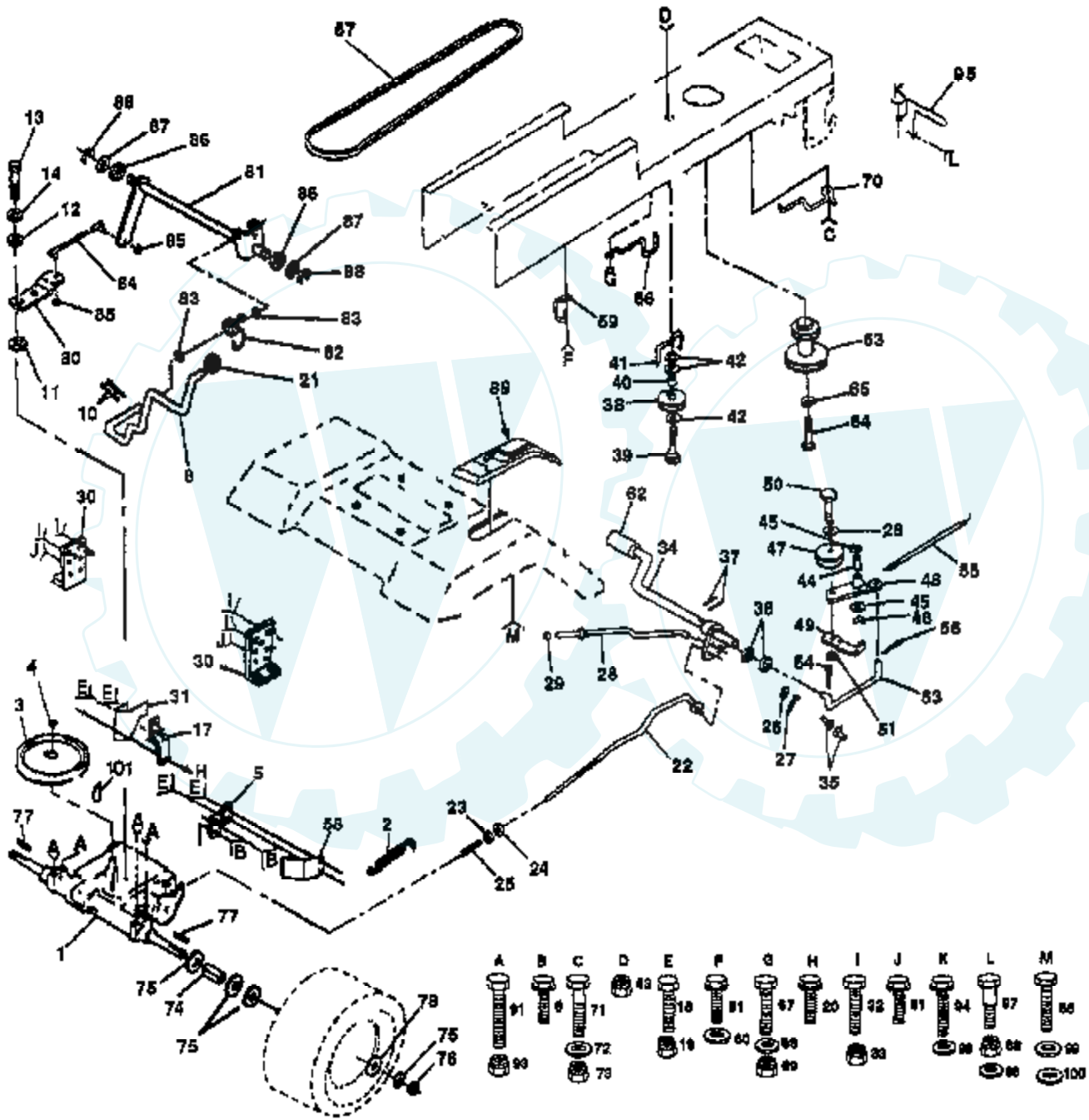
**NOTE:** All component dimensions given in U.S. inches  
1 inch - 25.4 mm.

| Ref # | Part Number | Qty | Description               |
|-------|-------------|-----|---------------------------|
| 2     | 135429      |     | DECAL.ENG.272757          |
| 3     | 135581      |     | NLA                       |
| 4     | 135580      |     | DECAL HOOD STRIPE RH      |
| 5     | 121343X     |     | DECAL WARING              |
| 7     | 133796      |     | DECAL                     |
| 8     | 4900J       |     | DECAL T                   |
| 9     | 131425      |     | CHASSIS DECAL             |
| 10    | 3713J       |     | DECAL INSTRUCTION CAUTION |
| 11    | 135582      |     | "DECAL,STRG WHL"          |
| 15    | 108456X     |     | SUB= 138955               |
|       | 132704      |     | MANUAL, OPERATOR'S        |
|       | 135472      |     | NLA                       |



### 18 HP 42" TRACTOR -- MODEL NUMBER CP1842A

#### DRIVE



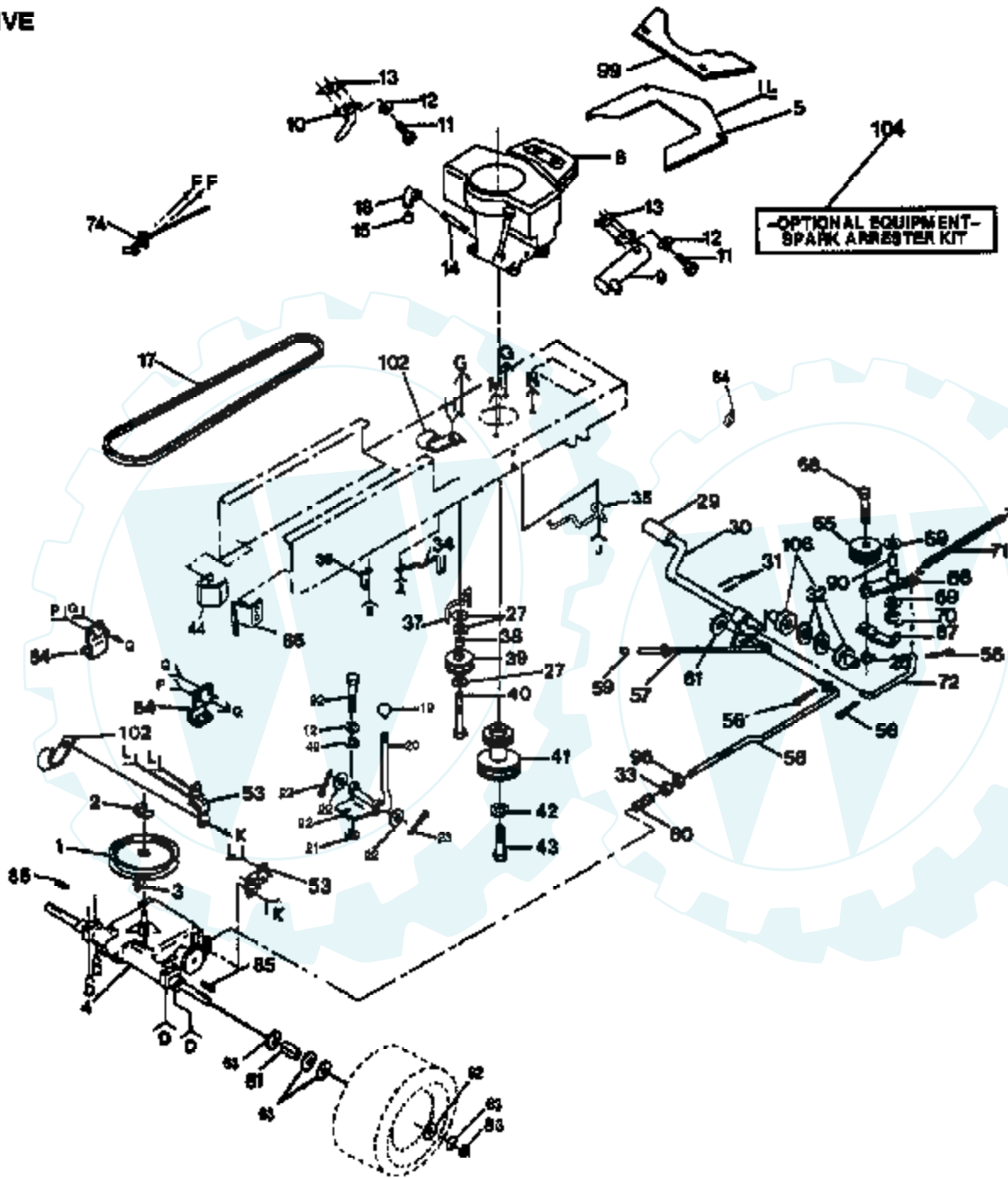
| Ref # | Part Number | Qty | Description         |
|-------|-------------|-----|---------------------|
| 1     | 131965      |     | SUB= 137367         |
| 2     | 110422X     |     | SUB= 146682         |
| 3     | 123667X     |     | "PULLEY,TRANSAXLE"  |
| 4     | 12000028    |     | SUB= 2267J          |
| 5     | 121520X     |     | STRAP TORQUE        |
| 6     | 17490512    |     | SCREW               |
| 8     | 127288X     |     | "ROD,SHIFTER "      |
| 10    | 76020416    |     | PIN COTTER 1/8      |
| 11    | 105701X     |     | WASH-SHFT PLT LT    |
| 12    | 19151216    |     | WASHER              |
| 13    | 71040412    |     | SUB= 74550412       |
| 14    | 10040400    |     | LOCKWASHER          |
| 17    | 121520X     |     | STRAP TORQUE        |
| 18    | 74760612    |     | SUB= 74780612       |
| 19    | 73680600    |     | SUB= 73690600       |
| 20    | 17490512    |     | SCREW               |
| 21    | 106933X     |     | KNOB T (1/2-HOLE)   |
| 22    | 130804      |     | BRAKE ROD           |
| 23    | 73800600    |     | NUT                 |
| 24    | 73350600    |     | NUT                 |
| 25    | 106888X     |     | SPRING ROD LT       |
| 26    | 19131316    |     | WASHER              |
| 27    | 76020412    |     | COTTER PIN          |
| 28    | 133261      |     | BRAKE PARK ROD      |
| 29    | 71673       |     | PLUNGER CAP T       |
| 30    | 130807      |     | TRANSAXLE MTG BKT   |
| 31    | 127289      |     | "KEEPER,BELT LH"    |
| 32    | 74760512    |     | BOLT                |
| 33    | 73680500    |     | SUB= 73690500       |
| 34    | 122424X     |     | SUB= 149001         |
| 35    | 120183X     |     | NYLON BEARING       |
| 36    | 19211616    |     | WASHER LT           |
| 37    | 1572H       |     | SUB= 2882J          |
| 38    | 123674X     |     | PULLEY.IDLER.FLAT   |
| 39    | 74760644    |     | BOLT                |
| 40    | 4470J       |     | SPACER T            |
| 41    | 109070X     |     | BELT KEEPER LT      |
| 42    | 19131312    |     | WASHER              |
| 43    | 73680600    |     | SUB= 73690600       |
| 44    | 105706X     |     | "LY, BEARING"       |
| 45    | 110812X     |     | WASHER LT           |
| 46    | 12000039    |     | KLIP RING           |
| 47    | 127783      |     | SUB= 139245         |
| 48    | 123789X     |     | ARM IDLER           |
| 49    | 123205X     |     | RETAIN BELT         |
| 50    | 74760624    |     | SUB= 74930624       |
| 51    | 73680600    |     | SUB= 73690600       |
| 53    | 105710X     |     | "LINK, CLUTCH T"    |
| 54    | 76020412    |     | COTTER PIN          |
| 55    | 105709X     |     | "SPRING, RETURN LT" |
| 56    | 76020412    |     | COTTER PIN          |
| 57    | 131006      |     | BELT-V              |
| 58    | 127290      |     | "KEEPER,BELT RH"    |
| 59    | 104777X     |     | SUB= 140312         |
| 60    | 19131312    |     | WASHER              |
| 61    | 17490612    |     | SCREW               |
| 62    | 8883R       |     | PEDAL COVER T       |
| 63    | 134825      |     | SUB= 136004         |

| Ref # | Part Number | Qty | Description       |
|-------|-------------|-----|-------------------|
| 64    | 71170764    |     | BOLT              |
| 65    | 10040700    |     | LOCKWASHER        |
| 66    | 129921      |     | KEEPER.BELT.ENG.L |
| 67    | 74760616    |     | BOLT              |
| 68    | 19131312    |     | WASHER            |
| 69    | 73680600    |     | SUB= 73690600     |
| 70    | 134683      |     | KEEPER BELT ENG   |
| 71    | 74760616    |     | BOLT              |
| 72    | 19132012    |     | WASHER            |
| 73    | 73680600    |     | SUB= 73690600     |
| 74    | 109502X     |     | SPACER LT         |
| 75    | 121749X     |     | WASHER            |
| 76    | 12000001    |     | E-RING LT         |
| 77    | 123583X     |     | SQUARE KEY        |
| 78    | 121748X     |     | WASHER            |
| 80    | 131487      |     | ARM SHIFT TRANS   |
| 81    | 131811      |     | SUB= 136977       |
| 82    | 123782X     |     | "SPRING,TORSION"  |
| 83    | 19171216    |     | WASHER            |
| 84    | 132183      |     | TIE ROD           |
| 85    | 73530400    |     | NUT 1/4-28        |
| 86    | 127272X     |     | "BUSH,PIVOT T"    |
| 87    | 126591X     |     | "WSHER,SHIM"      |
| 88    | 12000003    |     | RING T            |
| 89    | 127287X     |     | SUB= 532127287    |
| 91    | 74760540    |     | BOLT              |
| 93    | 73680500    |     | SUB= 73690500     |
| 94    | 17490616    |     | SCREW GTV         |
| 95    | 135029      |     | MUFFLER GUARD     |
| 96    | 19131616    |     | WASHER HYT        |
| 97    | 72110608    |     | BOLT D            |
| 98    | 74640808    |     | SCREW             |
| 99    | 10100800    |     | "WASHER,LOCK"     |
| 100   | 19060718    |     | WASHER            |
| 101   | 2228M       |     | SUB= 2228M1       |



### 18 HP 42" TRACTOR -- MODEL NUMBER RE1842A

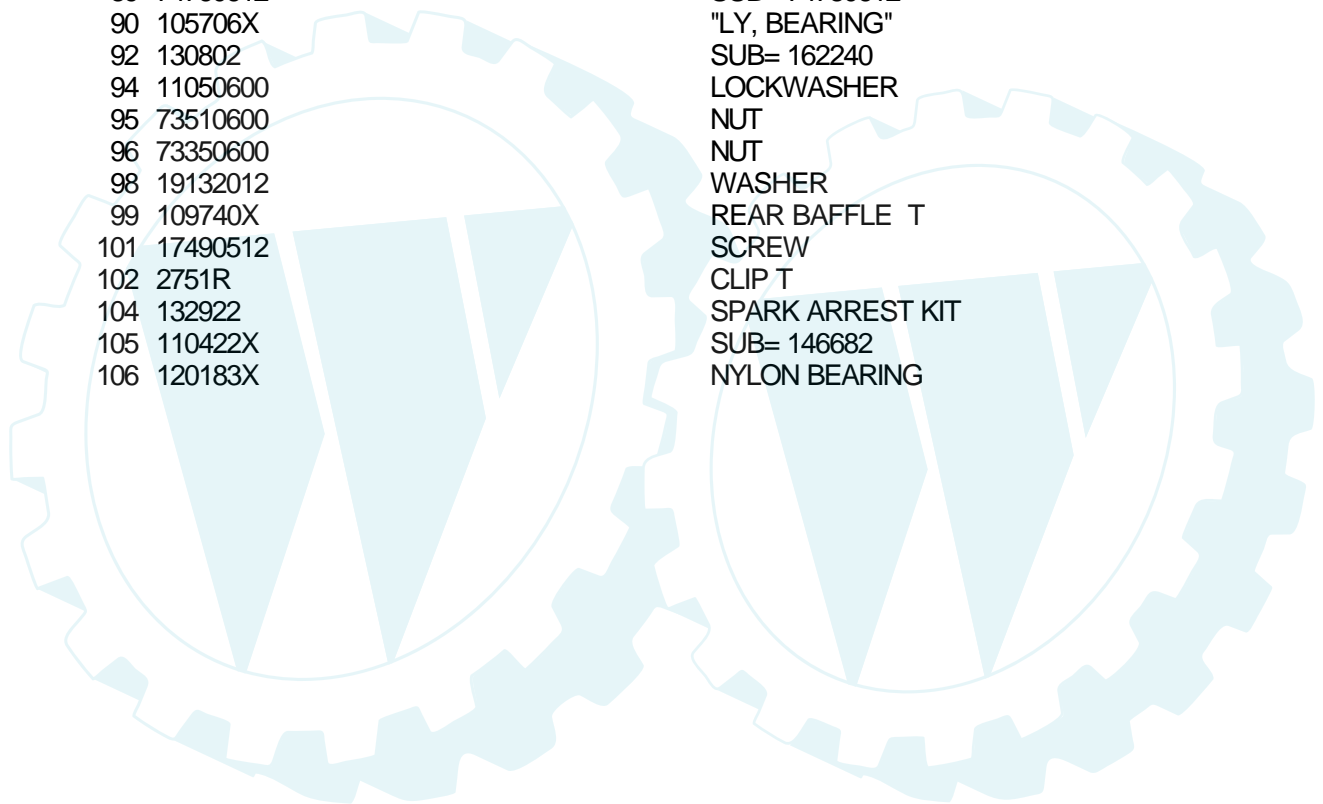
#### DRIVE



- |          |          |          |          |          |          |          |          |          |          |          |          |          |
|----------|----------|----------|----------|----------|----------|----------|----------|----------|----------|----------|----------|----------|
| <b>A</b> | <b>B</b> | <b>D</b> | <b>F</b> | <b>G</b> | <b>H</b> | <b>J</b> | <b>K</b> | <b>L</b> | <b>M</b> | <b>N</b> | <b>P</b> | <b>Q</b> |
| 26       | 24       | 52       | 75       | 87       | 28       | 26       | 101      | 89       | 87       | 87       | 24       | 50       |
| 27       | 27       |          |          |          |          | 98       |          | 28       | 94       | 95       |          | 51       |
| 28       |          |          |          |          |          | 28       |          |          |          |          |          |          |
|          |          | 51       |          |          |          |          |          |          |          |          |          |          |

| Ref # | Part Number | Qty | Description        |
|-------|-------------|-----|--------------------|
| 1     | 123666X     |     | PULLEY TRANS       |
| 2     | 12000028    |     | SUB= 2267J         |
| 3     | 2228M       |     | SUB= 2228M1        |
| 4     | 120898X     |     | SUB= 137367        |
| 5     | 123190X     |     | SHIELD HEAT FRT    |
| 8     |             |     | REFER TO IMAGE     |
| 9     | 134700      |     | MUFFLER            |
| 10    | 122379X     |     | PREMMUFFLER        |
| 11    | 74780412    |     | SUB= 74780414      |
| 12    | 10040400    |     | LOCKWASHER         |
| 13    | 8545J       |     | SUB= 272250        |
| 14    | 13280336    |     | PIPE NIPPLE LT     |
| 15    |             |     | REFER TO IMAGE     |
| 17    | 130801      |     | SUB= 138255        |
| 18    | 13240300    |     | STREET ELBOW LT    |
| 19    | 106933X     |     | KNOB T (1/2-HOLE)  |
| 20    | 131679      |     | SHIFT ROD          |
| 21    | 105701X     |     | WASH-SHFT PLT LT   |
| 22    | 19151216    |     | WASHER             |
| 23    | 76020416    |     | PIN COTTER 1/8     |
| 24    | 17490612    |     | SCREW              |
| 26    | 74760616    |     | BOLT               |
| 27    | 19131312    |     | WASHER             |
| 28    | 73680600    |     | SUB= 73690600      |
| 29    | 8883R       |     | PEDAL COVER T      |
| 30    | 122424X     |     | SUB= 149001        |
| 31    | 1572H       |     | SUB= 2882J         |
| 32    | 19211616    |     | WASHER LT          |
| 33    | 73800600    |     | NUT                |
| 34    | 129921      |     | KEEPER.BELT.ENG.L  |
| 35    | 134683      |     | KEEPER BELT ENG    |
| 36    | 104777X     |     | SUB= 140312        |
| 37    | 109070X     |     | BELT KEEPER LT     |
| 38    | 4470J       |     | SPACER T           |
| 39    | 123674X     |     | PULLEY.IDLER.FLAT  |
| 40    | 74760644    |     | BOLT               |
| 41    | 134825      |     | SUB= 136004        |
| 42    | 10040700    |     | LOCKWASHER         |
| 43    | 71170764    |     | BOLT               |
| 44    | 127275X     |     | "KEEPER,BELT LH T" |
| 48    | 71040412    |     | SUB= 74550412      |
| 49    | 19091210    |     | WASHER LT          |
| 50    | 74760512    |     | BOLT               |
| 51    | 73680500    |     | SUB= 73690500      |
| 52    | 74760540    |     | BOLT               |
| 53    | 121520X     |     | STRAP TORQUE       |
| 54    | 130807      |     | TRANSAXLE MTG BKT  |
| 56    | 76020412    |     | COTTER PIN         |
| 57    | 133261      |     | BRAKE PARK ROD     |
| 58    | 130804      |     | BRAKE ROD          |
| 59    | 71673       |     | PLUNGER CAP T      |
| 60    | 106888X     |     | SPRING ROD LT      |
| 61    | 19131316    |     | WASHER             |
| 62    | 121748X     |     | WASHER             |
| 63    | 121749X     |     | WASHER             |
| 64    | 122758X     |     | MUFFLER CLAMP      |
| 65    | 127783      |     | SUB= 139245        |
| 66    | 123789X     |     | ARM IDLER          |

| Ref # | Part Number | Qty | Description         |
|-------|-------------|-----|---------------------|
| 67    | 123205X     |     | RETAIN BELT         |
| 68    | 74760624    |     | SUB= 74930624       |
| 69    | 110812X     |     | WASHER LT           |
| 70    | 12000039    |     | KLIP RING           |
| 71    | 105709X     |     | "SPRING, RETURN LT" |
| 72    | 105710X     |     | "LINK, CLUTCH T"    |
| 74    | 132773      |     | SUB= 133439         |
| 75    | 17720410    |     | SCREW LT            |
| 81    | 109502X     |     | SPACER LT           |
| 83    | 12000001    |     | E-RING LT           |
| 85    | 123583X     |     | SQUARE KEY          |
| 86    | 127274X     |     | "KEEPER,BELT RH T"  |
| 87    | 17490624    |     | SCREW LT            |
| 89    | 74760612    |     | SUB= 74780612       |
| 90    | 105706X     |     | "LY, BEARING"       |
| 92    | 130802      |     | SUB= 162240         |
| 94    | 11050600    |     | LOCKWASHER          |
| 95    | 73510600    |     | NUT                 |
| 96    | 73350600    |     | NUT                 |
| 98    | 19132012    |     | WASHER              |
| 99    | 109740X     |     | REAR BAFFLE T       |
| 101   | 17490512    |     | SCREW               |
| 102   | 2751R       |     | CLIP T              |
| 104   | 132922      |     | SPARK ARREST KIT    |
| 105   | 110422X     |     | SUB= 146682         |
| 106   | 120183X     |     | NYLON BEARING       |

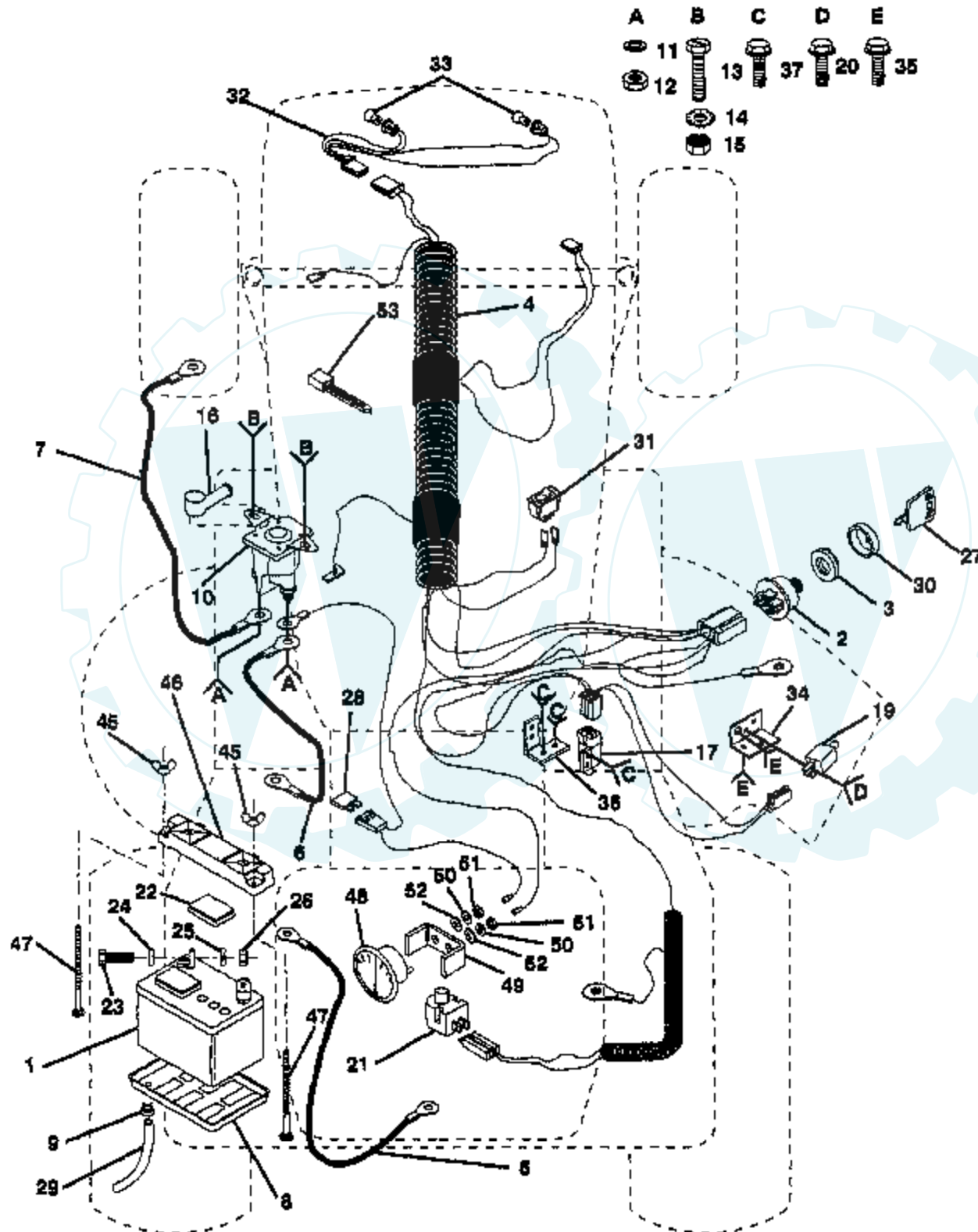




| Ref # | Part Number | Qty | Description        |
|-------|-------------|-----|--------------------|
| 1     | 122147X     |     | KEY                |
| 2     | 110859X     |     | HARNESS T          |
| 3     | 7662J       |     | SUB= 4152J         |
| 4     | 4406R       |     | SUB= STD365402     |
| 5     | 7603J       |     | "TRAY T, BATTERY"  |
| 6     | 124211X     |     | NUT IGNITION       |
| 7     | 110712X     |     | SWITCH LT          |
| 8     | 109081X     |     | SUB= 146154        |
| 9     | 10090400    |     | SUB= 10040400      |
| 10    | 73350400    |     | NUT                |
| 11    | 74780408    |     | BOLT               |
| 12    | 11050400    |     | LOCKWASHER         |
| 13    | 73510400    |     | NUT                |
| 14    | 131563      |     | SUB= 154336        |
| 15    | 133691      |     | HARNESS            |
| 16    | 4799J       |     | "CABLE T, BATTERY" |
| 17    | 109670X     |     | CABLE LT           |
| 18    | 4207J       |     | CABLE T            |
| 19    | 109596X     |     | HOSE CLAMP T       |
| 20    | 121537X     |     | SUB= 123899X       |
| 21    | 100541K     |     | SUB= 7697J         |
| 22    | 104445X     |     | SWITCH-INTER. GT   |
| 23    | 17021008    |     | SCREW              |
| 24    | 108824X     |     | FUSE HYT           |
| 25    | 74760412    |     | BOLT LT            |
| 26    | 19091016    |     | WASHER             |
| 27    | 10040400    |     | LOCKWASHER         |
| 28    | 73220400    |     | SUB= 50675         |
| 29    | 123198X     |     | SUB= 146525        |
| 31    | 102476X     |     | SUB= 150109        |
| 32    | 72240460    |     | BOLT               |
| 33    | 121433X     |     | SUB= 122822X       |
| 39    | 109553X     |     | SWITCH INTERLOCKT  |
| 42    | 71031008    |     | SCREW              |
| 43    | 73951000    |     | "NUT,KEPS"         |
| 45    | 121305X     |     | SWITCH SEAT        |
| 46    | 11050600    |     | LOCKWASHER         |
| 47    | 123620X     |     | SUB= 141226        |
| 48    | 121264X     |     | "CAP,BATTERY "     |
| 49    | 130890      |     | SWITCH BRACKET     |
| 50    | 17021008    |     | SCREW              |
| 51    | 108236X     |     | BRACKET LT         |

### 18 HP 42" TRACTOR -- MODEL NUMBER CP1842A

#### ELECTRICAL



| Ref # | Part Number | Qty | Description        |
|-------|-------------|-----|--------------------|
| 1     | 121265X     |     | SUB= 123899X       |
| 2     | 4406R       |     | SUB= STD365402     |
| 3     | 124211X     |     | NUT IGNITION       |
| 4     | 134298      |     | IGNITION HARNESS   |
| 5     | 4207J       |     | CABLE T            |
| 6     | 4206J       |     | CABLE-BATTERY T    |
| 7     | 4799J       |     | "CABLE T, BATTERY" |
| 8     | 7603J       |     | "TRAY T, BATTERY"  |
| 9     | 109596X     |     | HOSE CLAMP T       |
| 10    | 109081X     |     | SUB= 146154        |
| 11    | 10090400    |     | SUB= 10040400      |
| 12    | 73350400    |     | NUT                |
| 13    | 74780408    |     | BOLT               |
| 14    | 11050400    |     | LOCKWASHER         |
| 15    | 73510400    |     | NUT                |
| 16    | 131563      |     | SUB= 154336        |
| 17    | 109553X     |     | SWITCH INTERLOCKT  |
| 19    | 104445X     |     | SWITCH-INTER. GT   |
| 20    | 17021008    |     | SCREW              |
| 21    | 121305X     |     | SWITCH SEAT        |
| 22    | 121264X     |     | "CAP,BATTERY "     |
| 23    | 74760412    |     | BOLT LT            |
| 24    | 19091016    |     | WASHER             |
| 25    | 10040400    |     | LOCKWASHER         |
| 26    | 73220400    |     | SUB= 50675         |
| 27    | 122147X     |     | KEY                |
| 28    | 108824X     |     | FUSE HYT           |
| 29    | 7604J       |     | SUB= 7697J         |
| 30    | 123620X     |     | SUB= 141226        |
| 31    | 110712X     |     | SWITCH LT          |
| 32    | 127441X     |     | SUB= 136850        |
| 33    | 7662J       |     | SUB= 4152J         |
| 34    | 108236X     |     | BRACKET LT         |
| 35    | 17021008    |     | SCREW              |
| 36    | 130890      |     | SWITCH BRACKET     |
| 37    | 17021008    |     | SCREW              |
| 45    | 123198X     |     | SUB= 146525        |
| 46    | 102476X     |     | SUB= 150109        |
| 47    | 72240460    |     | BOLT               |
| 48    | 9433R       |     | AMMETER T          |
| 49    | 131708      |     | SUB= 532131708     |
| 50    | 10101000    |     | SUB= 10071000      |
| 51    | 73911000    |     | NUT                |
| 52    | 19070818    |     | WASHER             |
| 53    | 7192J       |     | WIRE TIE           |





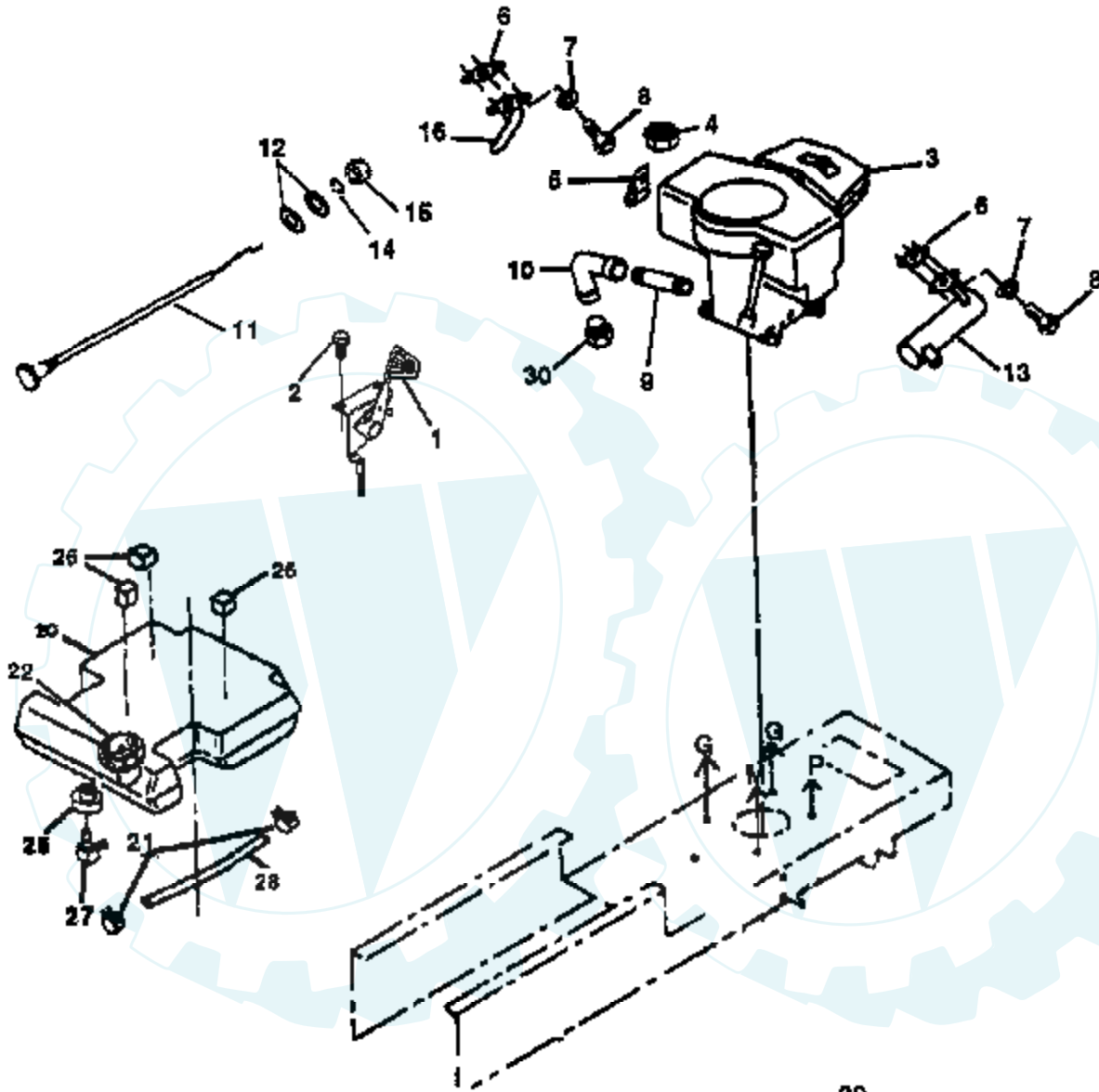
| Ref # | Part Number | Qty | Description        |
|-------|-------------|-----|--------------------|
| 1     | 10040400    |     | LOCKWASHER         |
| 2     | 11050600    |     | LOCKWASHER         |
| 3     | 132637X417  |     | "PANEL,SIDE LH"    |
| 4     | 125581X015  |     | DASH PLATE         |
| 5     | 124252X     |     | SUB= 140398        |
| 6     | 132177      |     | LOWER DASH         |
| 7     | 73510400    |     | NUT                |
| 8     | 106965X     |     | SUB= 140181        |
| 9     | 124130X     |     | SUPPORT ASSY       |
| 10    | 5479J       |     | PLUG BUTTON T      |
| 12    | 106784X     |     | SUB= 155013        |
| 13    | 104618X     |     | SUB= 155013        |
| 14    | 132635X510  |     | HOOD               |
| 15    | 124392X417  |     | SUB= 147717        |
| 16    | 106395X     |     | LENS LT            |
| 18    | 131716      |     | SUB= 532131716     |
| 19    | 105419X417  |     | "STRAP,GRILL"      |
| 22    | 132636X417  |     | "PANEL,SIDE RH"    |
| 23    | 132069      |     | SUB= 532132069     |
| 24    | 105464X417  |     | SUB= 145243X417    |
| 25    | 135034      |     | SUB= 145501        |
| 26    | 130805      |     | SUB= 145009        |
| 27    | 132178      |     | DASH PANEL LH      |
| 28    | 105465X417  |     | SUB= 145244X417    |
| 30    | 131343X021  |     | SADDLE             |
| 31    | 19091216    |     | WASHER PM          |
| 37    | 109872X510  |     | FENDER             |
| 40    | 73220400    |     | SUB= 50675         |
| 41    | 74760612    |     | SUB= 74780612      |
| 42    | 19131312    |     | WASHER             |
| 43    | 73680600    |     | SUB= 73690600      |
| 45    | 17211010    |     | SCREW LT           |
| 46    | 104755X     |     | ""J"" FASTENER LT" |
| 47    | 17490612    |     | SCREW              |
| 48    | 17490512    |     | SCREW              |
| 49    | 123481X     |     | SUB= 7605J         |
| 50    | 73680400    |     | SUB= 73690400      |
| 51    | 74760620    |     | SUB= 74780620      |
| 53    | 17490608    |     | SCREW LT           |
| 56    | 74760512    |     | BOLT               |
| 57    | 73510500    |     | NUT                |
| 58    | 109873X     |     | SUB= 136619        |
| 59    | 74180512    |     | SCREW              |
| 60    | 17490412    |     | SCREW HEX CRT      |
| 65    | 72110606    |     | BOLT               |
| 66    | 133671      |     | FOOTREST PAD       |
| 67    | 74191008    |     | SCREW              |
| 68    | 10071000    |     | LOCKWASHER         |
| 69    | 2029J       |     | WELDNUT            |
| 70    | 109808X     |     | HOOD LATCH T       |
| 71    | 74981020    |     | SCREW              |
| 72    | 7206J       |     | SPACER LT          |
| 73    | 73731000    |     | NUT                |
| 77    | 19070818    |     | WASHER             |
| 79    | 2751R       |     | CLIP T             |
| 84    | 19111116    |     | WASHER             |
| 87    | 19131210    |     | WASHER             |
| 95    | 123198X     |     | SUB= 146525        |

| Ref # | Part Number | Qty | Description    |
|-------|-------------|-----|----------------|
| 104   | 19091016    |     | WASHER         |
| 105   | 132644      |     | SUB= 532132644 |
| 107   | 134774      |     | PIVOT BRKT LH  |
| 108   | 134775      |     | PIVOT BRKT RH  |
| 109   | 72140606    |     | BOLT           |

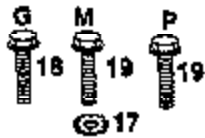


**18 HP 42" TRACTOR - - MODEL NUMBER CP1842A**

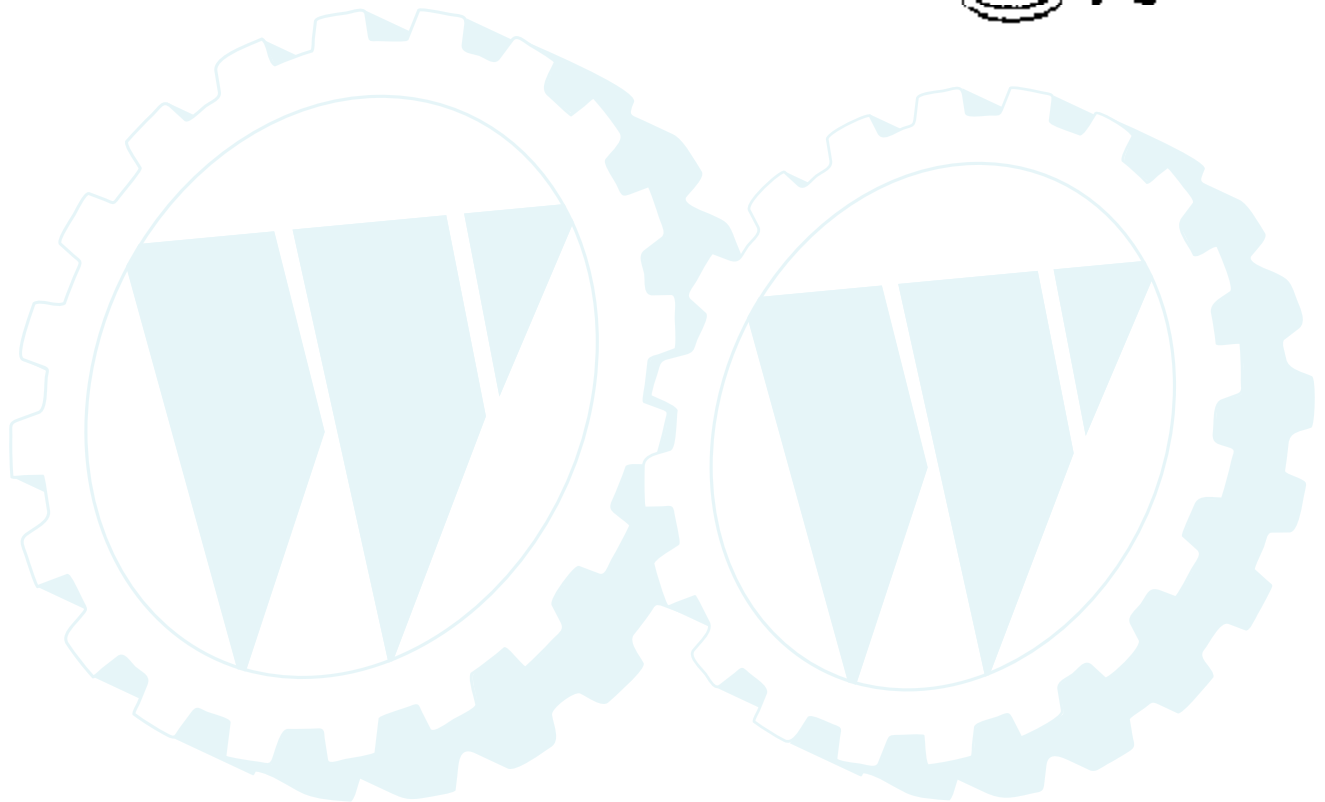
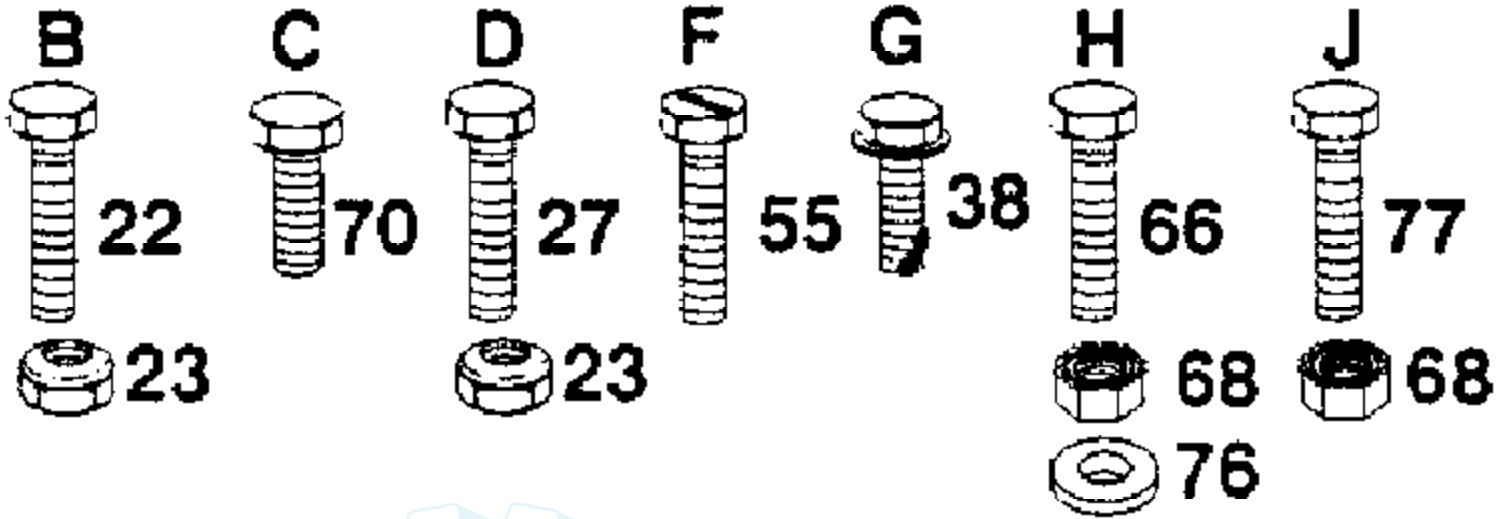
**ENGINE**



**- OPTIONAL EQUIPMENT -  
SPARK ARRESTER KIT**



| Ref # | Part Number | Qty | Description       |
|-------|-------------|-----|-------------------|
| 1     | 132747      |     | SUB= 532132748    |
| 2     | 17720410    |     | SCREW LT          |
| 3     |             |     | REFER TO IMAGE    |
| 4     | 73510600    |     | NUT               |
| 5     | 2751R       |     | CLIP T            |
| 6     | 8545J       |     | SUB= 272250       |
| 7     | 10040400    |     | LOCKWASHER        |
| 8     | 74780412    |     | SUB= 74780414     |
| 9     | 13280336    |     | PIPE NIPPLE LT    |
| 10    | 13200300    |     | ELBOW             |
| 11    | 132781      |     | CHOKE CONTROL     |
| 12    | 19131316    |     | WASHER            |
| 13    | 108373X     |     | MUFFLER HYT       |
| 14    | 11050600    |     | LOCKWASHER        |
| 15    | 73610600    |     | SUB= 7810H        |
| 16    | 100229L     |     | EXHAUST TUBE T    |
| 17    | 11050600    |     | LOCKWASHER        |
| 18    | 17490624    |     | SCREW LT          |
| 19    | 17490628    |     | SCREW LT          |
| 20    | 106020X     |     | SUB= 151346       |
| 21    | 123487X     |     | HOSE CLAMP        |
| 22    | 123549X     |     | SUB= 158990       |
| 25    | 3645J       |     | BUSHING OUTLET T  |
| 26    | 106082X     |     | PAD-SPACER LT     |
| 27    | 8710J       |     | FUEL TANK STEM GT |
| 28    | 8543R       |     | FUEL LINE T       |
| 29    | 121851X     |     | SUB= 532137180    |
| 30    |             |     | REFER TO IMAGE    |

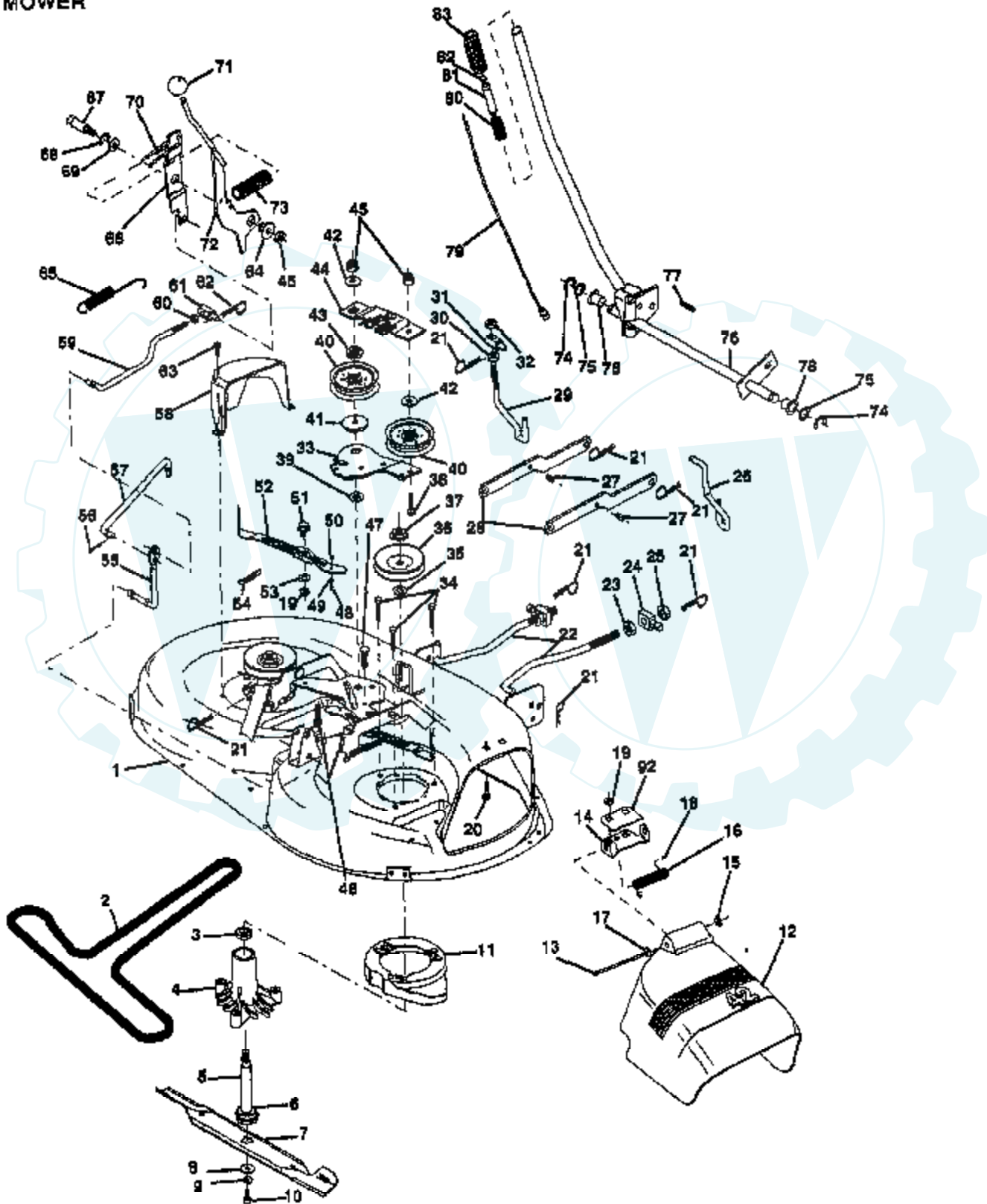


| Ref # | Part Number | Qty | Description   |
|-------|-------------|-----|---------------|
| 22    | 74180512    |     | SCREW         |
| 23    | 73510500    |     | NUT           |
| 27    | 74760512    |     | BOLT          |
| 38    | 17490608    |     | SCREW LT      |
| 55    | 17431008    |     | SUB= 98000165 |
| 66    | 74760612    |     | SUB= 74780612 |
| 68    | 73510600    |     | NUT           |
| 70    | 17490612    |     | SCREW         |
| 76    | 19131316    |     | WASHER        |
| 77    | 74760616    |     | BOLT          |



### 18 HP 42" TRACTOR - - MODEL NUMBER CP1842A

#### 42" MOWER



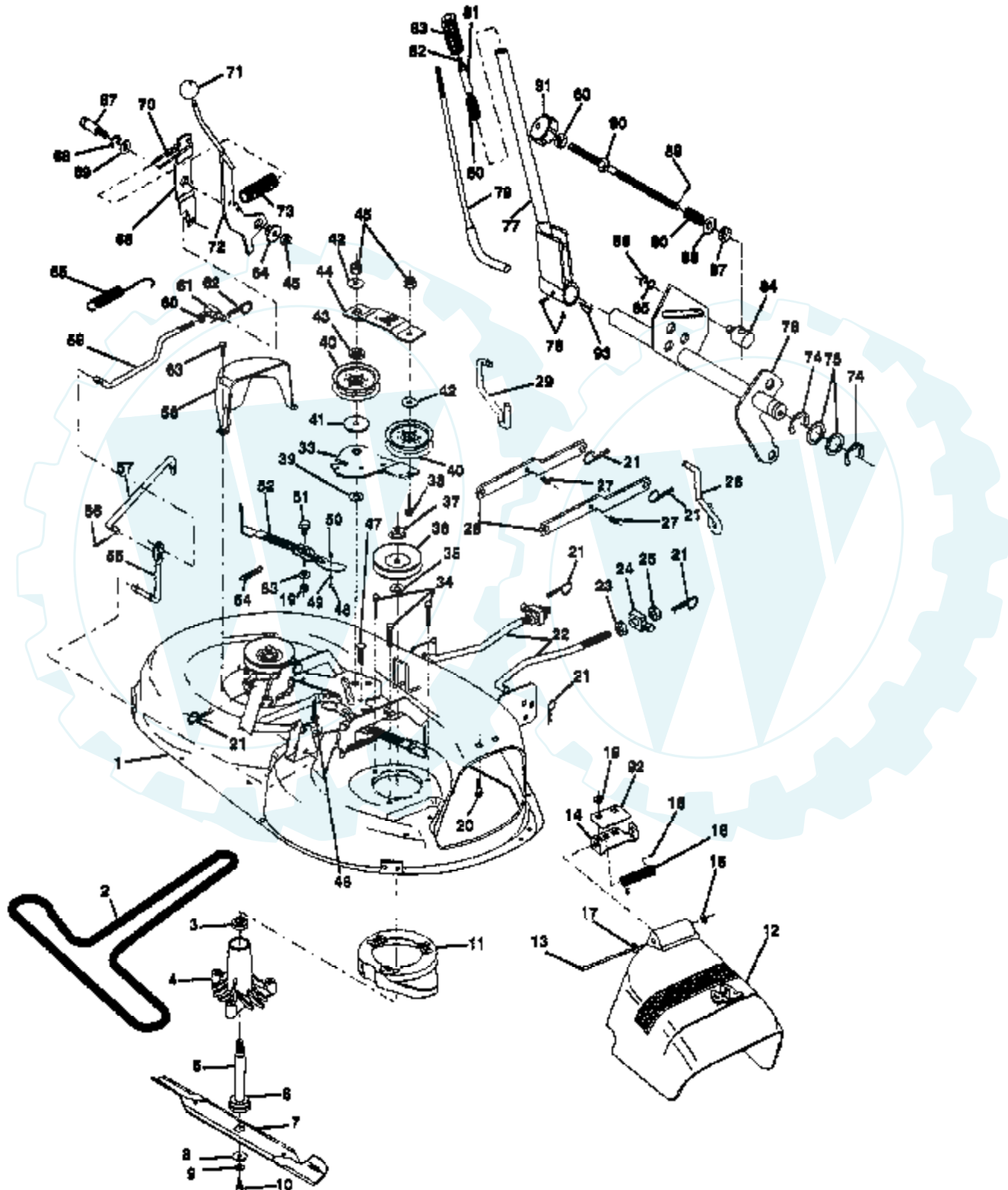
| Ref # | Part Number | Qty | Description       |
|-------|-------------|-----|-------------------|
| 1     | 130970      |     | SUB= 145338       |
| 2     | 130969      |     | BELT-V.92.4.MWR   |
| 3     | 110485X     |     | BEARING           |
| 4     | 128774      |     | HSG ASM MANDREL   |
| 5     | 133172      |     | SUB= 137646       |
| 6     | 129895      |     | BEARING.BALL      |
| 7     | 127843      |     | SUB= 138498       |
| 8     | 129962      |     | WASHER BLADE      |
| 9     | 10030600    |     | SUB= 10040600     |
| 10    | 850857      |     | BLADE BOLT        |
| 11    | 128961      |     | SUB= 140329       |
| 12    | 130968      |     | DEFLECTOR.SHIELD  |
| 13    | 131491      |     | HINGE ROD         |
| 14    | 131267      |     | DEFLECTOR BRKT    |
| 15    | 110452X     |     | NUT PUSH M        |
| 16    | 123713X     |     | SPRING TORSION    |
| 17    | 19111016    |     | WASHER            |
| 18    | 105304X     |     | CAP-SLEEVE LT     |
| 19    | 73680500    |     | SUB= 73690500     |
| 20    | 72140506    |     | BOLT              |
| 21    | 4939M       |     | SUB= 85902        |
| 22    | 127218      |     | LINK.FRONT        |
| 23    | 73350800    |     | NUT               |
| 24    | 130171      |     | TRUNION           |
| 25    | 73800800    |     | NUT.LK.W/WSH.1/2. |
| 26    | 135388      |     | LIFT LINK RH      |
| 27    | 135563      |     | "PIN,SPRING"      |
| 28    | 130832      |     | SUB= 130833       |
| 29    | 134619      |     | LINK LIFT LH      |
| 33    | 133844      |     | IDLER ARM         |
| 34    | 78158       |     | SUB= 17580520     |
| 35    | 129963      |     | WASHER            |
| 36    | 129861      |     | SUB= 153535       |
| 37    | 73050900    |     | SUB= 139729       |
| 38    | 72110614    |     | BOLT              |
| 39    | 133943      |     | HARDENED WASHER   |
| 40    | 131494      |     | FLAT IDLER PULLEY |
| 41    | 122052X     |     | SPACER RETAINER   |
| 42    | 19131612    |     | WASHER GT         |
| 43    | 133502      |     | RETAINER SPACER   |
| 44    | 133503      |     | IDLER ARM STIFF   |
| 45    | 73680600    |     | SUB= 73690600     |
| 46    | 72110618    |     | BOLT CARRIAGE     |
| 47    | 133835      |     | XMAS TREE FASTNER |
| 48    | 131340      |     | SHOULDER BOLT     |
| 49    | 133940      |     | SUB= 151785       |
| 50    | 69180       |     | LOCKNUT           |
| 51    | 105529X     |     | SUB= 139888       |
| 52    | 131845      |     | BRAKE PAD ARM ASM |
| 53    | 133944      |     | HARD SMALL WASHER |
| 54    | 131335      |     | SPRING EXTENSION  |
| 55    | 133551      |     | PIVOT ROD         |
| 56    | 76020312    |     | SUB= 3145         |
| 57    | 133504      |     | CLUTCH ROD SECOND |
| 58    | 131857      |     | SUB= 140088       |
| 59    | 133550      |     | SUB= 142427       |
| 60    | 73350600    |     | NUT               |
| 61    | 133205      |     | TRUNION           |



| Ref # | Part Number | Qty | Description       |
|-------|-------------|-----|-------------------|
| 62    | 4497H       |     | RETAINER M        |
| 63    | 17720410    |     | SCREW LT          |
| 64    | 127498      |     | BUSHING           |
| 65    | 131870      |     | RETURN SPRING     |
| 66    | 127847      |     | CLUTCH ARM SECOND |
| 67    | 128903      |     | SHOULDER BOLT     |
| 68    | 12000029    |     | RING              |
| 69    | 121748X     |     | WASHER            |
| 70    | 127845      |     | SPRING KEEPER     |
| 71    | 132044      |     | SUB= 532132044    |
| 72    | 131813      |     | SUB= 532131813    |
| 73    | 128759      |     | SUB= 918128759    |
| 74    | 12000002    |     | SUB= 2225J        |
| 75    | 19211416    |     | WASHER            |
| 76    | 132172      |     | LIFT SHAFT ASM    |
| 77    | 105767X     |     | PIN-GROOVE LT     |
| 78    | 120183X     |     | NYLON BEARING     |
| 79    | 132175      |     | SUB= 136973       |
| 80    | 122512X     |     | SUB= 532122512    |
| 81    | 122364X     |     | SUB= 125925X      |
| 82    | 124526X     |     | SUB= 125925X      |
| 83    | 109413X     |     | GRIP              |
| 92    | 134753      |     | STIFFENER BRKT    |
| 93    | 132262      |     | SUB= 155198       |
| 94    | 132263      |     | SUB= 155197       |
| 95    | 72110504    |     | SUB= 872110504    |
| 96    | 74760512    |     | BOLT              |
| 97    | 73680500    |     | SUB= 73690500     |
| 98    | 134249      |     | SUB= 4898H        |
| 99    | 105455X     |     | WHEEL.GAGE.BLK.PL |
| 100   | 19171512    |     | WASHER            |
| 102   | 73980600    |     | NUT SPECIAL T     |
|       | 134745      |     | SUB= 145411       |
|       | 130794      |     | MANDREL ASM       |

### 18 HP 42" TRACTOR - - MODEL NUMBER RE1842A

#### 42" MOWER

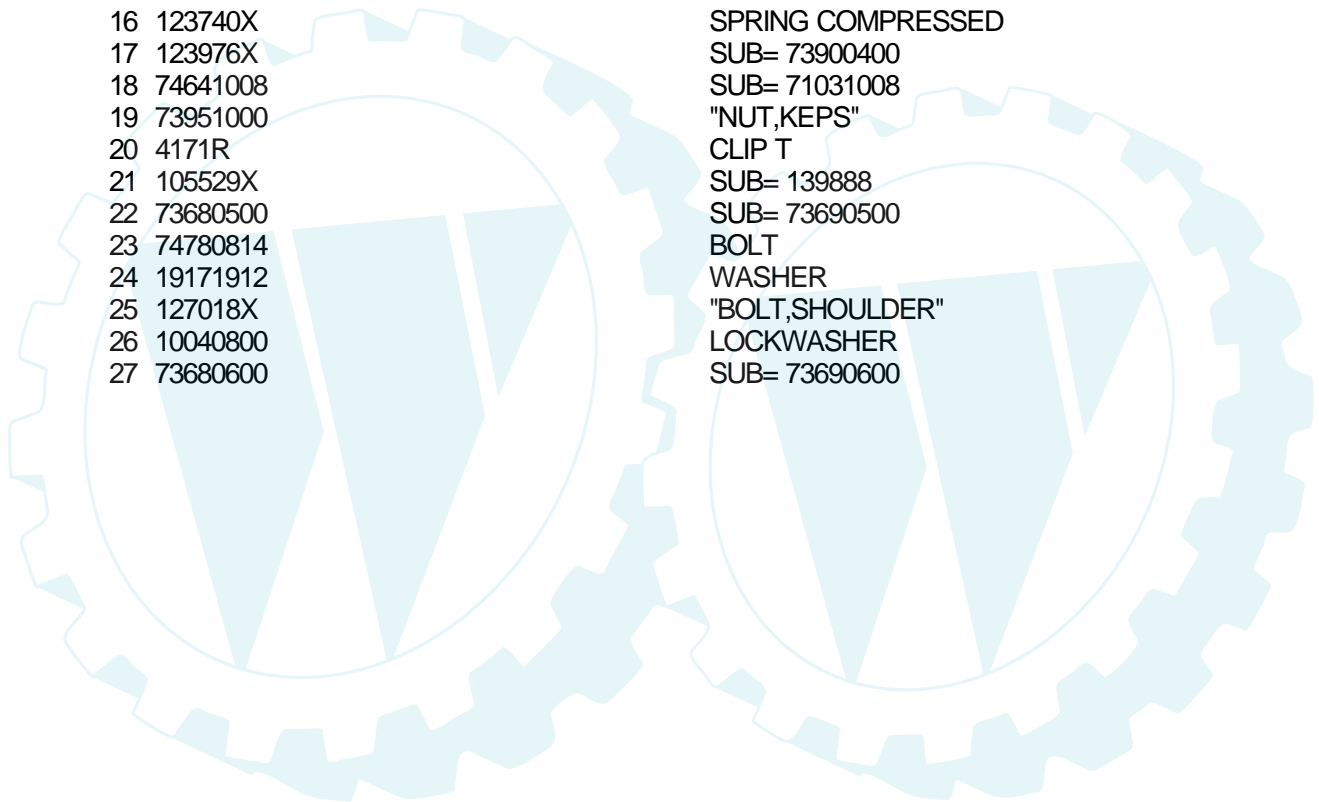


| Ref # | Part Number | Qty | Description       |
|-------|-------------|-----|-------------------|
| 1     | 130970      |     | SUB= 145338       |
| 2     | 130969      |     | BELT-V.92.4.MWR   |
| 3     | 110485X     |     | BEARING           |
| 4     | 128774      |     | HSG ASM MANDREL   |
| 5     | 133172      |     | SUB= 137646       |
| 6     | 129895      |     | BEARING.BALL      |
| 7     | 127843      |     | SUB= 138498       |
| 8     | 129962      |     | WASHER BLADE      |
| 9     | 10030600    |     | SUB= 10040600     |
| 10    | 850857      |     | BLADE BOLT        |
| 11    | 128961      |     | SUB= 140329       |
| 12    | 130968      |     | DEFLECTOR.SHIELD  |
| 13    | 131491      |     | HINGE ROD         |
| 14    | 131267      |     | DEFLECTOR BRKT    |
| 15    | 110452X     |     | NUT PUSH M        |
| 16    | 123713X     |     | SPRING TORSION    |
| 17    | 19111016    |     | WASHER            |
| 18    | 105304X     |     | CAP-SLEEVE LT     |
| 19    | 73680500    |     | SUB= 73690500     |
| 20    | 72140506    |     | BOLT              |
| 21    | 4939M       |     | SUB= 85902        |
| 22    | 127218      |     | LINK.FRONT        |
| 23    | 73350800    |     | NUT               |
| 24    | 130171      |     | TRUNION           |
| 25    | 73800800    |     | NUT.LK.W/WSH.1/2. |
| 26    | 135388      |     | LIFT LINK RH      |
| 27    | 128763      |     | SPRING PIN        |
| 28    | 130832      |     | SUB= 130833       |
| 29    | 134619      |     | LINK LIFT LH      |
| 33    | 133844      |     | IDLER ARM         |
| 34    | 78158       |     | SUB= 17580520     |
| 35    | 129963      |     | WASHER            |
| 36    | 129861      |     | SUB= 153535       |
| 37    | 73050900    |     | SUB= 139729       |
| 38    | 72110614    |     | BOLT              |
| 39    | 133943      |     | HARDENED WASHER   |
| 40    | 131494      |     | FLAT IDLER PULLEY |
| 41    | 122052X     |     | SPACER RETAINER   |
| 42    | 19131612    |     | WASHER GT         |
| 43    | 133502      |     | RETAINER SPACER   |
| 44    | 133503      |     | IDLER ARM STIFF   |
| 45    | 73680600    |     | SUB= 73690600     |
| 46    | 72110618    |     | BOLT CARRIAGE     |
| 47    | 133835      |     | XMAS TREE FASTNER |
| 48    | 131340      |     | SHOULDER BOLT     |
| 49    | 133940      |     | SUB= 151785       |
| 50    | 69180       |     | LOCKNUT           |
| 51    | 105529X     |     | SUB= 139888       |
| 52    | 131845      |     | BRAKE PAD ARM ASM |
| 53    | 133944      |     | HARD SMALL WASHER |
| 54    | 131335      |     | SPRING EXTENSION  |
| 55    | 133551      |     | PIVOT ROD         |
| 56    | 76020312    |     | SUB= 3145         |
| 57    | 133504      |     | CLUTCH ROD SECOND |
| 58    | 131857      |     | SUB= 140088       |
| 59    | 133550      |     | SUB= 142427       |
| 60    | 73350600    |     | NUT               |
| 61    | 133205      |     | TRUNION           |

| Ref # | Part Number | Qty | Description       |
|-------|-------------|-----|-------------------|
| 62    | 4497H       |     | RETAINER M        |
| 63    | 17720410    |     | SCREW LT          |
| 64    | 127498      |     | BUSHING           |
| 65    | 131870      |     | RETURN SPRING     |
| 66    | 127847      |     | CLUTCH ARM SECOND |
| 67    | 128903      |     | SHOULDER BOLT     |
| 68    | 12000029    |     | RING              |
| 69    | 121748X     |     | WASHER            |
| 70    | 127845      |     | SPRING KEEPER     |
| 71    | 132044      |     | SUB= 532132044    |
| 72    | 131813      |     | SUB= 532131813    |
| 73    | 128759      |     | SUB= 918128759    |
| 74    | 12000022    |     | E-RING            |
| 75    | 19292016    |     | WASHER            |
| 76    | 131874X     |     | SUB= 532131874    |
| 77    | 121718X     |     | LEVER LIFT        |
| 78    | 23180606    |     | SCREW             |
| 79    | 121719X     |     | ROD ASS'Y LEVER   |
| 80    | 2876H       |     | SPRING T          |
| 81    | 122364X     |     | SUB= 125925X      |
| 82    | 124526X     |     | SUB= 125925X      |
| 83    | 109413X     |     | GRIP              |
| 84    | 110810X     |     | TRUNION LT        |
| 85    | 19151216    |     | WASHER            |
| 86    | 12000037    |     | KLIP RING         |
| 87    | 110807X     |     | NUT T             |
| 88    | 19131016    |     | WASHER            |
| 89    | 76020308    |     | SUB= 3145         |
| 90    | 110729X     |     | ROD LIFT LT       |
| 91    | 100734K     |     | SUB= 138057       |
| 92    | 134753      |     | STIFFENER BRKT    |
| 93    | 8330H       |     | KEY STD           |
|       | 132708      |     | MANUAL            |
|       | 130794      |     | MANDREL ASM       |

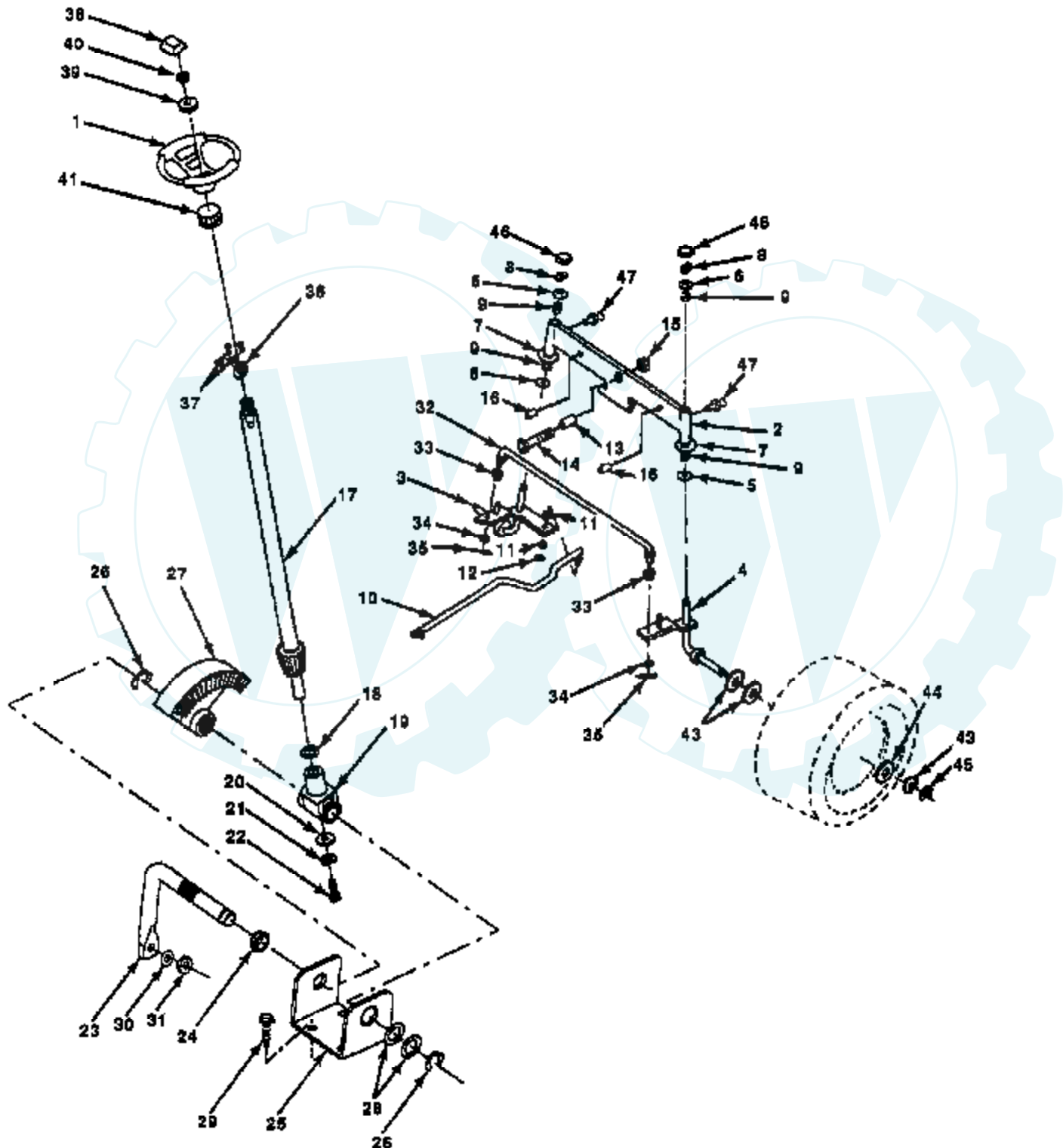


| Ref # | Part Number | Qty | Description       |
|-------|-------------|-----|-------------------|
| 1     | 127514      |     | SUB= 140121       |
| 2     | 126656X     |     | SUB= 140551       |
| 3     | 74760612    |     | SUB= 74780612     |
| 4     | 19131210    |     | WASHER            |
| 5     | 2751R       |     | CLIP T            |
| 6     | 73680600    |     | SUB= 73690600     |
| 7     | 124181X     |     | SPRING COMPRESSIO |
| 9     | 19131614    |     | WASHER            |
| 10    | 131451      |     | SUB= 155925       |
| 11    | 121251X     |     | STRIP FORM        |
| 12    | 121246X     |     | BRKT SWITCH       |
| 13    | 121248X     |     | BUSHING           |
| 14    | 72050411    |     | SUB= 872050411    |
| 15    | 121249X     |     | SPACER SPLIT      |
| 16    | 123740X     |     | SPRING COMPRESSED |
| 17    | 123976X     |     | SUB= 73900400     |
| 18    | 74641008    |     | SUB= 71031008     |
| 19    | 73951000    |     | "NUT,KEPS"        |
| 20    | 4171R       |     | CLIP T            |
| 21    | 105529X     |     | SUB= 139888       |
| 22    | 73680500    |     | SUB= 73690500     |
| 23    | 74780814    |     | BOLT              |
| 24    | 19171912    |     | WASHER            |
| 25    | 127018X     |     | "BOLT,SHOULDER"   |
| 26    | 10040800    |     | LOCKWASHER        |
| 27    | 73680600    |     | SUB= 73690600     |



### 18 HP 42" TRACTOR - - MODEL NUMBER CP1842A

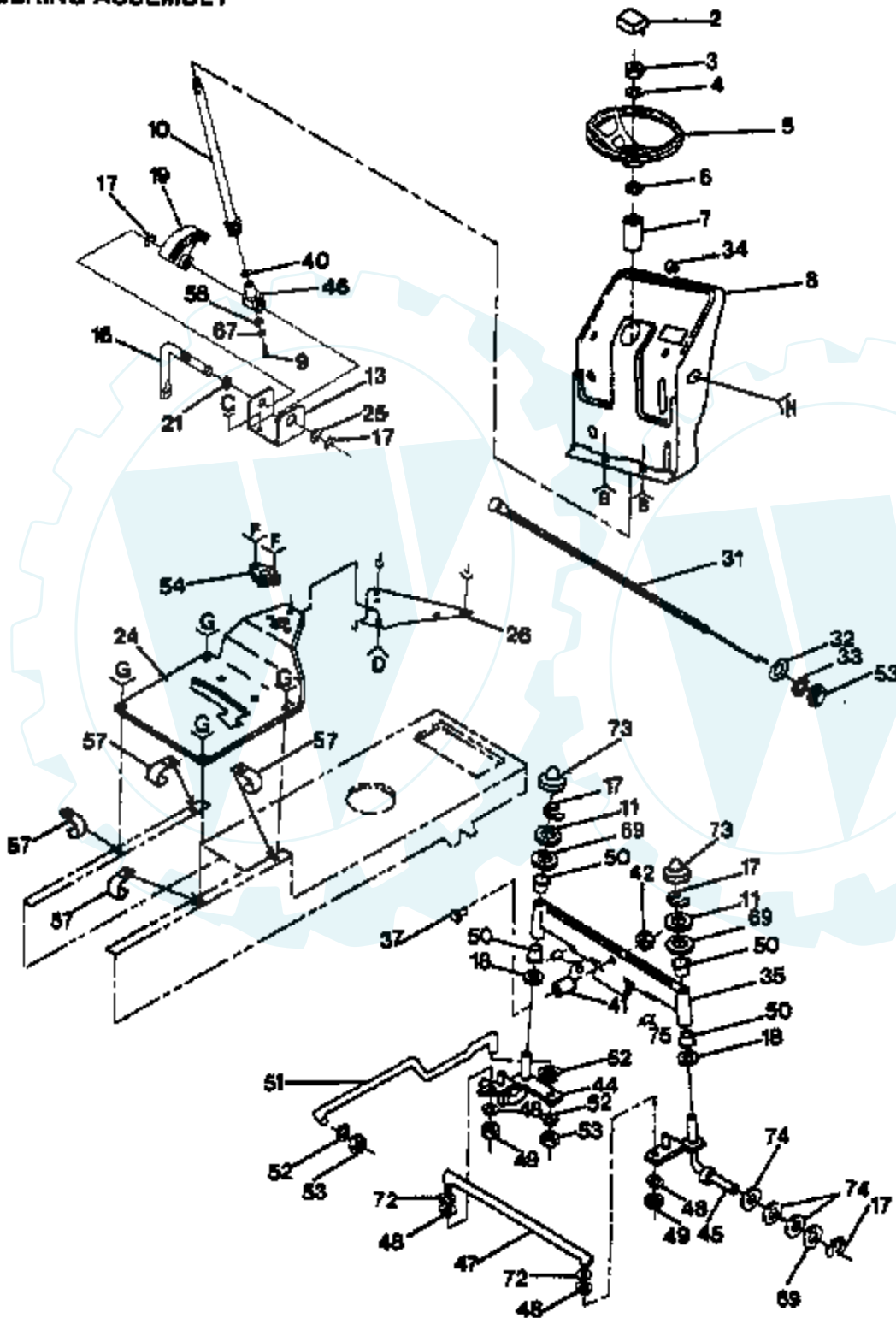
#### STEERING ASSEMBLY



| Ref # | Part Number | Qty | Description      |
|-------|-------------|-----|------------------|
| 1     | 121021X     |     | SUB= 150546      |
| 2     | 133988      |     | SUB= 142033      |
| 3     | 135227      |     | SPINDLE LH       |
| 4     | 135228      |     | SPINDLE RH       |
| 5     | 6266H       |     | WASHER .T        |
| 6     | 121748X     |     | WASHER           |
| 7     | 19272016    |     | WASHER           |
| 8     | 12000029    |     | RING             |
| 9     | 3366R       |     | COL. SRTG. BEAR. |
| 10    | 130468      |     | SUB= 532130468   |
| 11    | 10040600    |     | LOCKWASHER       |
| 12    | 73610600    |     | SUB= 7810H       |
| 13    | 110438X     |     | BEARING          |
| 14    | 74011056    |     | BOLT HEX 5/8-11  |
| 15    | 73601000    |     | SUB= 73901000    |
| 16    | 132624      |     | AXLE PIN         |
| 17    | 128758      |     | STEERING SHAFT   |
| 18    | 57079       |     | THRUST WASHER    |
| 19    | 124035X     |     | SUPPORT.SHAFT    |
| 20    | 126684X     |     | SUB= 532126684   |
| 21    | 10040400    |     | LOCKWASHER       |
| 22    | 71070410    |     | "SCREW,SPECIAL"  |
| 23    | 127501      |     | SUB= 918127501   |
| 24    | 109816X     |     | NYLINER T        |
| 25    | 124036X     |     | "BRKT,STEERING"  |
| 26    | 12000029    |     | RING             |
| 27    | 124034X     |     | SUB= 136874      |
| 28    | 6266H       |     | WASHER .T        |
| 29    | 17490612    |     | SCREW            |
| 30    | 10040600    |     | LOCKWASHER       |
| 31    | 73610600    |     | SUB= 7810H       |
| 32    | 130465      |     | TIE ROD          |
| 33    | 126847X     |     | BUSHING.DRAGLINK |
| 34    | 19131416    |     | WASHER           |
| 35    | 76020412    |     | COTTER PIN       |
| 36    | 1554J       |     | SUB= 155108      |
| 37    | 17431008    |     | SUB= 98000165    |
| 38    | 100710L     |     | INSERT-WHEEL LT  |
| 39    | 100712K     |     | WASHER           |
| 40    | 73940800    |     | SUB= 73360800    |
| 41    | 100711L     |     | ADAPTER LT       |
| 43    | 121749X     |     | WASHER           |
| 44    | 121748X     |     | WASHER           |
| 45    | 12000029    |     | RING             |
| 46    | 121232X     |     | CAP              |
| 47    | 6855M       |     | ZERK M           |

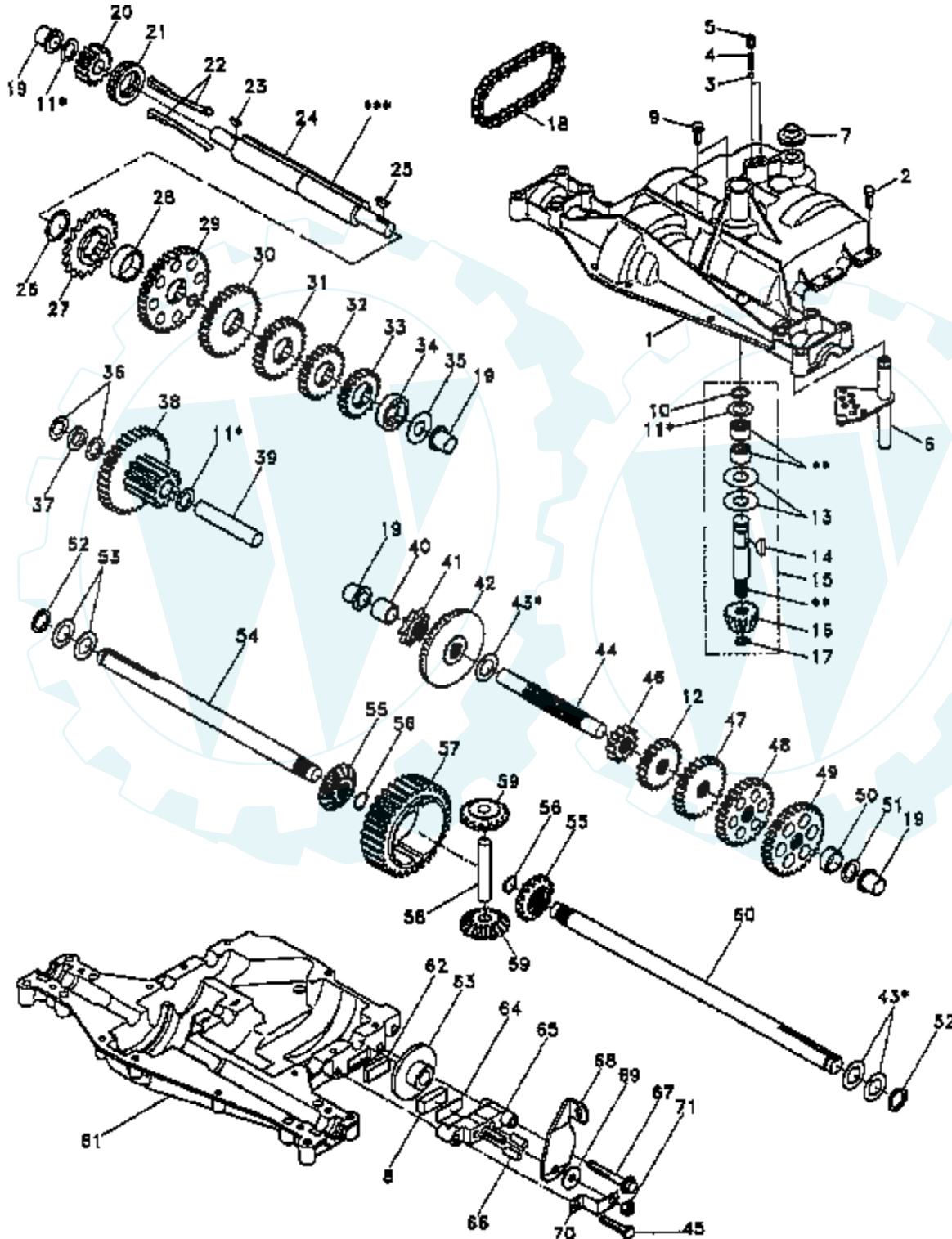


### 18 HP 42" GARDEN TRACTOR -- MODEL NUMBER RE1842A STEERING ASSEMBLY



| Ref # | Part Number | Qty | Description         |
|-------|-------------|-----|---------------------|
| 2     | 133742      |     | ST WHL INSERT CAP   |
| 3     | 73940800    |     | SUB= 73360800       |
| 4     | 100712K     |     | WASHER              |
| 5     | 133741      |     | SUB= 150547         |
| 6     | 100711L     |     | ADAPTER LT          |
| 7     | 100714L     |     | SLEEVE LTV          |
| 8     | 122341X     |     | DASH                |
| 9     | 71070410    |     | "SCREW,SPECIAL"     |
| 10    | 128755      |     | SHAFT&GEAR STR T    |
| 11    | 19272016    |     | WASHER              |
| 13    | 124036X     |     | "BRKT,STEERING"     |
| 16    | 127501      |     | SUB= 918127501      |
| 17    | 12000029    |     | RING                |
| 18    | 6266H       |     | WASHER .T           |
| 19    | 124034X     |     | SUB= 136874         |
| 21    | 109816X     |     | NYLINER T           |
| 22    | 74180512    |     | SCREW               |
| 23    | 73510500    |     | NUT                 |
| 24    | 131343X017  |     | SADDLE              |
| 25    | 6266H       |     | WASHER .T           |
| 26    | 106965X     |     | SUB= 140181         |
| 27    | 74760512    |     | BOLT                |
| 31    | 132779      |     | CHOKE CONTROL       |
| 32    | 19131316    |     | WASHER              |
| 33    | 11050600    |     | LOCKWASHER          |
| 34    | 8022J       |     | PLUG-DASH T         |
| 35    | 131450      |     | SUB= 142033         |
| 37    | 74011056    |     | BOLT HEX 5/8-11     |
| 38    | 17490608    |     | SCREW LT            |
| 40    | 57079       |     | THRUST WASHER       |
| 41    | 110438X     |     | BEARING             |
| 42    | 73901000    |     | "NUT-LOC,FLANGE LT" |
| 44    | 135227      |     | SPINDLE LH          |
| 45    | 135228      |     | SPINDLE RH          |
| 46    | 124035X     |     | SUPPORT.SHAFT       |
| 47    | 130467      |     | TIE ROD             |
| 48    | 10040500    |     | LOCKWASHER          |
| 49    | 73810500    |     | NUT.LOCK.5/16-24    |
| 50    | 3366R       |     | COL. SRTG. BEAR.    |
| 51    | 134068      |     | SUB= 532130468      |
| 52    | 10040500    |     | LOCKWASHER          |
| 53    | 73610600    |     | SUB= 7810H          |
| 54    | 1554J       |     | SUB= 155108         |
| 55    | 17431008    |     | SUB= 98000165       |
| 57    | 2751R       |     | CLIP T              |
| 58    | 126684X     |     | SUB= 532126684      |
| 66    | 74760612    |     | SUB= 74780612       |
| 67    | 10040400    |     | LOCKWASHER          |
| 68    | 73510600    |     | NUT                 |
| 69    | 121748X     |     | WASHER              |
| 70    | 17490612    |     | SCREW               |
| 72    | 19111216    |     | WASHER M            |
| 73    | 121232X     |     | CAP                 |
| 74    | 121749X     |     | WASHER              |
| 75    | 132624      |     | AXLE PIN            |
| 76    | 19131316    |     | WASHER              |
| 77    | 74760616    |     | BOLT                |

**18 HP 42" TRACTOR - - MODEL NUMBER CP1842A**  
**TRANSAXLE FOOTE - - MODEL NUMBER 4360-37**

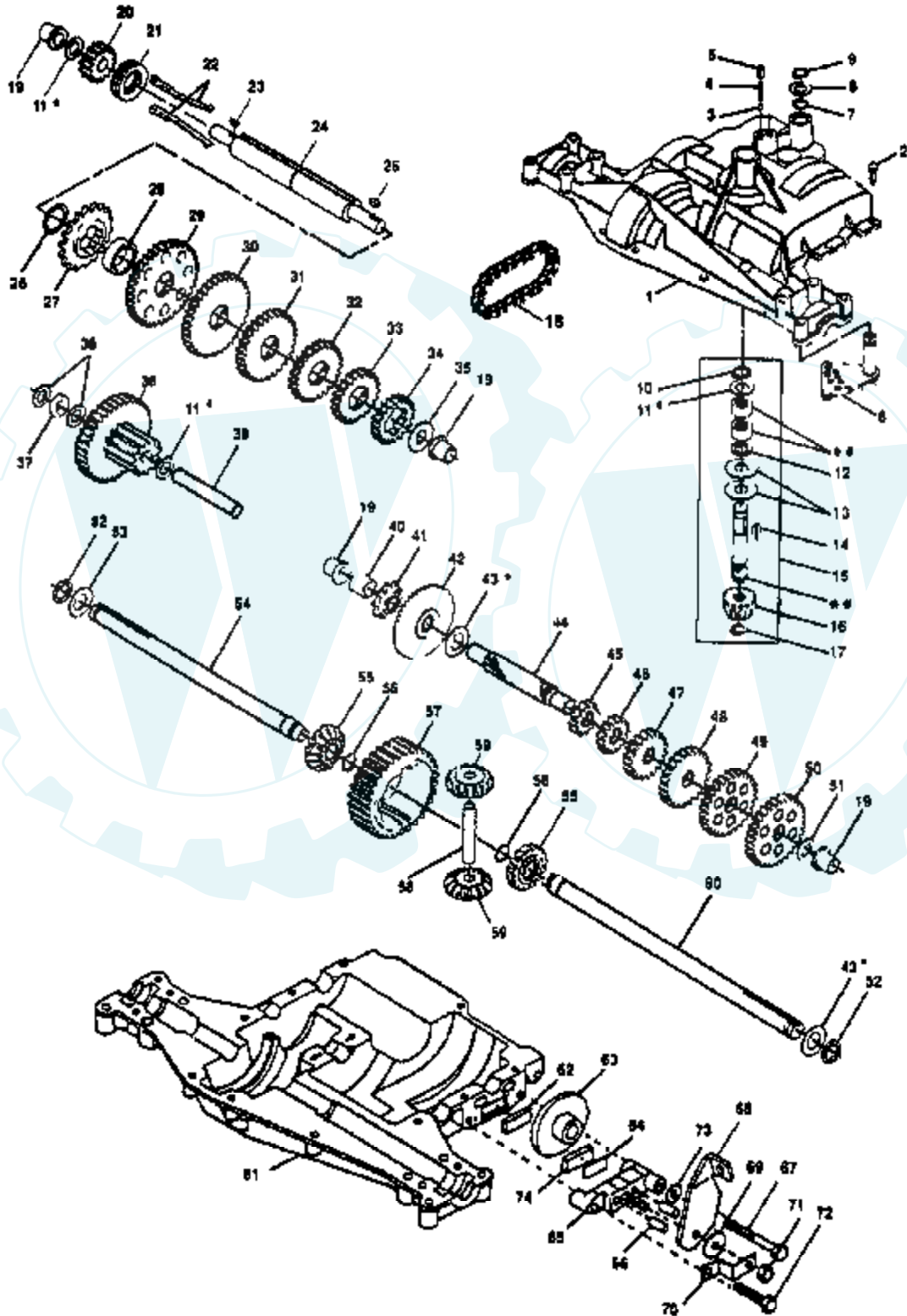


| Ref # | Part Number | Qty | Description                      |
|-------|-------------|-----|----------------------------------|
| 1     | 3865-A      |     | HOUSING UPPER                    |
| 2     | 1919        |     | SCREW                            |
| 3     | 5112        |     | BALL, DETENT                     |
| 4     | 3626        |     | SPRING, DETENT                   |
| 5     | 3623        |     | SCREW, SET                       |
| 6     | 4601        |     | KIT SHIFTER ASSY                 |
| 7     | 5024        |     | BOOT, SHIFTER                    |
| 8     | 3907        |     | PUCK, FRICTION                   |
| 9     | 5131        |     | SCREW TAPPING WITH SEALER        |
| 10    | 1099        |     | RING RETAINING                   |
| 11    | 4689        |     | ASSY, KIT, SHIM .625 SHAFT       |
| 12    | 3707        |     | GEAR SPUR, 15 TEETH              |
| 13    | 3876        |     | WASHER, PLAIN .632 X 1.38 X .046 |
| 14    | 1374        |     | KEY WOODRUFF #9                  |
| 15    | 4171        |     | ASSY KIT INPUT SHAFT             |
| 16    | 3725        |     | PINION BEVEL 14 TEETH            |
| 17    | 3624        |     | RING, RETAINING                  |
| 18    | 3625        |     | CHAIN, 24 PITCHES                |
| 19    | 1542        |     | BEARING, FLANGE                  |
| 20    | 3773        |     | GEAR SPUR, 14 TEETH              |
| 21    | 3631        |     | COLLAR CLUTCH                    |
| 22    | 5266        |     | KEY CLUTCH                       |
| 23    | 1369        |     | KEY WOODRUFF #3                  |
| 24    | 3883        |     | SHAFT INTERMEDIATE               |
| 25    | 1375        |     | KEY, WOODRUFF, #61               |
| 26    | 3627        |     | RING, RETAINING                  |
| 27    | 3830        |     | SPROCKET, 18 TEETH               |
| 28    | 3841        |     | SPACER                           |
| 29    | 3786        |     | GEAR, SPUR, 37 TEETH             |
| 30    | 3785        |     | GEAR, SPUR, 35 TEETH             |
| 31    | 3867        |     | GEAR, SPUR, 30 TEETH             |
| 32    | 3783        |     | GEAR, SPUR, 25 TEETH             |
| 33    | 3869        |     | GEAR, SPUR, 22 TEETH             |
| 34    | 5202        |     | GEAR, SPUR, 19 TEETH             |
| 35    | 3628        |     | WASHER, PLAIN .640 X 1.37 X .061 |
| 36    | 1423        |     | WASHER, PLAIN .632 X 1.00 X .026 |
| 37    | 3422        |     | SPACER .630 X 1.00 X .169        |
| 38    | 4286        |     | ASSY GEAR COMB 12&35 TEETH       |
| 39    | 3967        |     | SHAFT, IDLER                     |
| 40    | 3901        |     | SPACER .635 X .875 X .755        |
| 41    | 3645        |     | SPROCKET, 9 TEETH                |
| 42    | 3589        |     | GEAR, BEVEL, 42 TEETH            |
| 43    | 4691        |     | ASSY, KIT, SHIM .750 SHAFT       |
| 44    | 3882        |     | SHAFT, DRIVE                     |
| 45    | 3724        |     | SCREW TAPPING                    |
| 46    | 3646        |     | GEAR, SPUR, 12 TEETH             |
| 47    | 3866        |     | GEAR, SPUR, 20 TEETH             |
| 48    | 3719        |     | GEAR, SPUR, 25 TEETH             |
| 49    | 3868        |     | GEAR, SPUR, 28 TEETH             |
| 50    | 3683        |     | GEAR, SPUR, 31 TEETH             |
| 51    | 1145        |     | WASHER, PLAIN .632 X 1.00 X .060 |
| 52    | 5130        |     | WASHER, NEOPRENE                 |
| 53    | 3184        |     | WASHER, PLAIN .758 X 1.25 X .031 |
| 54    | 3880        |     | AXLE LEFT HAND                   |
| 55    | 3871        |     | GEAR MITER 15 TEETH              |
| 56    | 3656        |     | RING, RETAINING                  |
| 57    | 3839        |     | GEAR, SPUR, 32 TEETH             |
| 58    | 3919        |     | SHAFT, CROSS                     |

| Ref # | Part Number | Qty | Description                      |
|-------|-------------|-----|----------------------------------|
| 59    | 3726        |     | GEAR, MITER, 15 TEETH            |
| 60    | 3881        |     | AXLE, R.H.                       |
| 61    | 3864-B      |     | HOUSING LOWER                    |
| 62    | 3920        |     | PUCK, FRICTION                   |
| 63    | 3276        |     | DISC, BRAKE                      |
| 64    | 3758        |     | SPACER                           |
| 65    | 3916        |     | JAW, BRAKE                       |
| 66    | 3843        |     | PIN, DOWEL                       |
| 67    | 5120        |     | SCREW, SELF-TAPPING              |
| 68    | 3768        |     | LEVER, ACTUATING                 |
| 69    | 3760        |     | WASHER, PLAIN .321 X 1.00 X .055 |
| 70    | 3917        |     | BRACKET, ANTI-ROTATION           |
| 71    | 3847        |     | LOCKNUT 5/16-24                  |
| 72    | 4300        |     | GREASE                           |



**18 HP 42" TRACTOR -- MODEL NUMBER RE1842A**  
**DANA TRANSAXLE - MODEL NUMBER 4360-07**



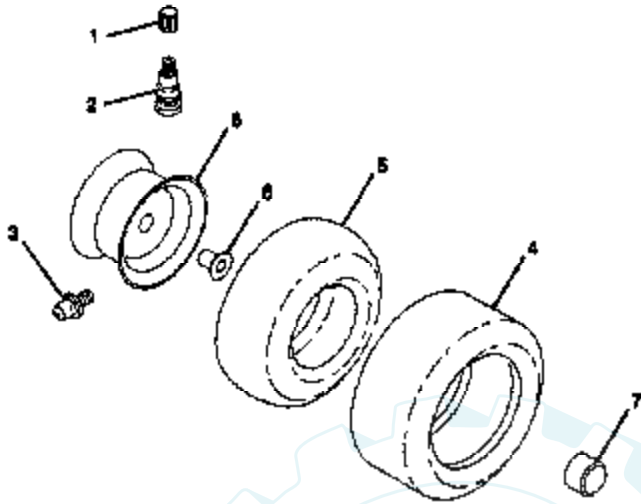
| Ref # | Part Number | Qty | Description                      |
|-------|-------------|-----|----------------------------------|
| 1     | 3865        |     | HOUSING UPPER                    |
| 2     | 1919        |     | SCREW                            |
| 3     | 1151        |     | BALL DETENT                      |
| 4     | 3626        |     | SPRING, DETENT                   |
| 5     | 3623        |     | SCREW, SET                       |
| 6     | 4336        |     | ASSY SHIFTER                     |
| 7     | 3884        |     | O-RING                           |
| 8     | 3885        |     | WASHER PLAIN                     |
|       | 3886        |     | WASHER PLAIN                     |
|       | 3887        |     | WASHER PLAIN                     |
|       | 3888        |     | WASHER PLAIN                     |
|       | 3889        |     | WASHER PLAIN                     |
|       | 3121        |     | WASHER PLAIN                     |
|       | 3890        |     | WASHER PLAIN                     |
| 9     | 1100        |     | RING RETAINING                   |
| 10    | 1099        |     | RING RETAINING                   |
| 11    | 1959        |     | WASHER PLAIN                     |
|       | 1441        |     | WASHER PLAIN                     |
|       | 1423        |     | WASHER, PLAIN .632 X 1.00 X .026 |
|       | 1082        |     | WASHER PLAIN                     |
|       | 1424        |     | WASHER PLAIN                     |
|       | 1068        |     | WASHER PLAIN                     |
|       | 1425        |     | WASHER PLAIN                     |
|       | 1358        |     | WASHER PLAIN                     |
|       | 1145        |     | WASHER, PLAIN .632 X 1.00 X .060 |
|       | 1319        |     | WASHER PLAIN                     |
| 12    | 3312        |     | O-RING                           |
| 13    | 3876        |     | WASHER, PLAIN .632 X 1.38 X .046 |
| 14    | 1374        |     | KEY WOODRUFF #9                  |
| 15    | 4134        |     | ASSY KIT INPUT SHAFT             |
| 16    | 3590        |     | PINION, BEVEL, 14 TEETH          |
| 17    | 3624        |     | RING, RETAINING                  |
| 18    | 3625        |     | CHAIN, 24 PITCHES                |
| 19    | 1542        |     | BEARING, FLANGE                  |
| 20    | 3773        |     | GEAR SPUR, 14 TEETH              |
| 21    | 3631        |     | COLLAR CLUTCH                    |
| 22    | 3828        |     | KEY CLUTCH                       |
| 23    | 1369        |     | KEY WOODRUFF #3                  |
| 24    | 3883        |     | SHAFT INTERMEDIATE               |
| 25    | 1375        |     | KEY, WOODRUFF, #61               |
| 26    | 3627        |     | RING, RETAINING                  |
| 27    | 3830        |     | SPROCKET, 18 TEETH               |
| 28    | 3841        |     | SPACER                           |
| 29    | 3786        |     | GEAR, SPUR, 37 TEETH             |
| 30    | 3785        |     | GEAR, SPUR, 35 TEETH             |
| 31    | 3867        |     | GEAR, SPUR, 30 TEETH             |
| 32    | 3783        |     | GEAR, SPUR, 25 TEETH             |
| 33    | 3869        |     | GEAR, SPUR, 22 TEETH             |
| 34    | 3741        |     | GEAR SPUR                        |
| 35    | 3628        |     | WASHER, PLAIN .640 X 1.37 X .061 |
| 36    | 1423        |     | WASHER, PLAIN .632 X 1.00 X .026 |
| 37    | 3422        |     | SPACER .630 X 1.00 X .169        |
| 38    | 4286        |     | ASSY GEAR COMB 12&35 TEETH       |
| 39    | 3877        |     | SHAFT IDLER                      |
| 40    | 3901        |     | SPACER .635 X .875 X .755        |
| 41    | 3645        |     | SPROCKET, 9 TEETH                |
| 42    | 3853        |     | GEAR BEVEL 42 TEETH              |
| 43    | 3749        |     | WASHER PLAIN                     |

| Ref # | Part Number | Qty | Description                      |
|-------|-------------|-----|----------------------------------|
|       | 3652        |     | WASHER PLAIN                     |
|       | 3693        |     | WASHER PLAIN                     |
|       | 3653        |     | WASHER PLAIN                     |
|       | 3408        |     | WASHER PLAIN                     |
|       | 3732        |     | WASHER PLAIN                     |
|       | 3184        |     | WASHER, PLAIN .758 X 1.25 X .031 |
|       | 3733        |     | WASHER PLAIN                     |
|       | 3198        |     | WASHER PLAIN                     |
|       | 3734        |     | WASHER PLAIN                     |
|       | 3735        |     | WASHER PLAIN                     |
|       | 3736        |     | WASHER PLAIN                     |
|       | 3180        |     | WASHER PLAIN                     |
| 44    | 3882        |     | SHAFT, DRIVE                     |
| 45    | 3646        |     | GEAR, SPUR, 12 TEETH             |
| 46    | 3707        |     | GEAR SPUR, 15 TEETH              |
| 47    | 3866        |     | GEAR, SPUR, 20 TEETH             |
| 48    | 3719        |     | GEAR, SPUR, 25 TEETH             |
| 49    | 3868        |     | GEAR, SPUR, 28 TEETH             |
| 50    | 3683        |     | GEAR, SPUR, 31 TEETH             |
| 51    | 1145        |     | WASHER, PLAIN .632 X 1.00 X .060 |
| 52    | 3191        |     | SEAL FELT                        |
| 53    | 3180        |     | WASHER PLAIN                     |
| 54    | 3880        |     | AXLE LEFT HAND                   |
| 55    | 3780        |     | GEAR, MITER, 15 TEETH            |
| 56    | 3656        |     | RING, RETAINING                  |
| 57    | 3839        |     | GEAR, SPUR, 32 TEETH             |
| 58    | 3919        |     | SHAFT, CROSS                     |
| 59    | 3781        |     | GEAR, MITER, 15 TEETH            |
| 60    | 3881        |     | AXLE, R.H.                       |
| 61    | 3864        |     | HOUSING LOWER                    |
| 62    | 3920        |     | PUCK, FRICTION                   |
| 63    | 3276        |     | DISC, BRAKE                      |
| 64    | 3758        |     | SPACER                           |
| 65    | 3916        |     | JAW, BRAKE                       |
| 66    | 3843        |     | PIN, DOWEL                       |
| 67    | 3915        |     | SCREW TAPPING                    |
| 68    | 3768        |     | LEVER, ACTUATING                 |
| 69    | 3760        |     | WASHER, PLAIN .321 X 1.00 X .055 |
| 70    | 3917        |     | BRACKET, ANTI-ROTATION           |
| 71    | 3847        |     | LOCKNUT 5/16-24                  |
| 72    | 3724        |     | SCREW TAPPING                    |
| 73    | 3906        |     | WASHER PLAIN                     |
| 74    | 3907        |     | PUCK, FRICTION                   |
| 75    | 4300        |     | GREASE                           |



**WHEELS & TIRES**

**18 HP 42" TRACTOR - - MODEL NUMBER CP1842A**



**NOTE:** All component dimensions given in U.S. Inches  
1 Inch = 25.4 mm.

| Ref # | Part Number | Qty | Description       |
|-------|-------------|-----|-------------------|
| 1     | 59192       |     | VALVE CAP         |
| 2     | 65139       |     | VALVE STEM LT     |
| 3     | 278H        |     | FITTING LT        |
| 4     | 134971      |     | TIRE TM 15X6X6    |
| 4     | 134970      |     | TIRE TM 20X8X8    |
| 5     | 59904       |     | TUBE.5.3/4.5/6    |
| 5     | 7152J       |     | TUBE.18X9.5-8     |
| 6     | 106732X361  |     | SUB= 106732X417   |
| 6     | 106108X361  |     | SUB= 106108X417   |
| 7     | 104757X     |     | HUB CAP           |
| 8     | 9040H       |     | "FLANGE, BEARING" |

