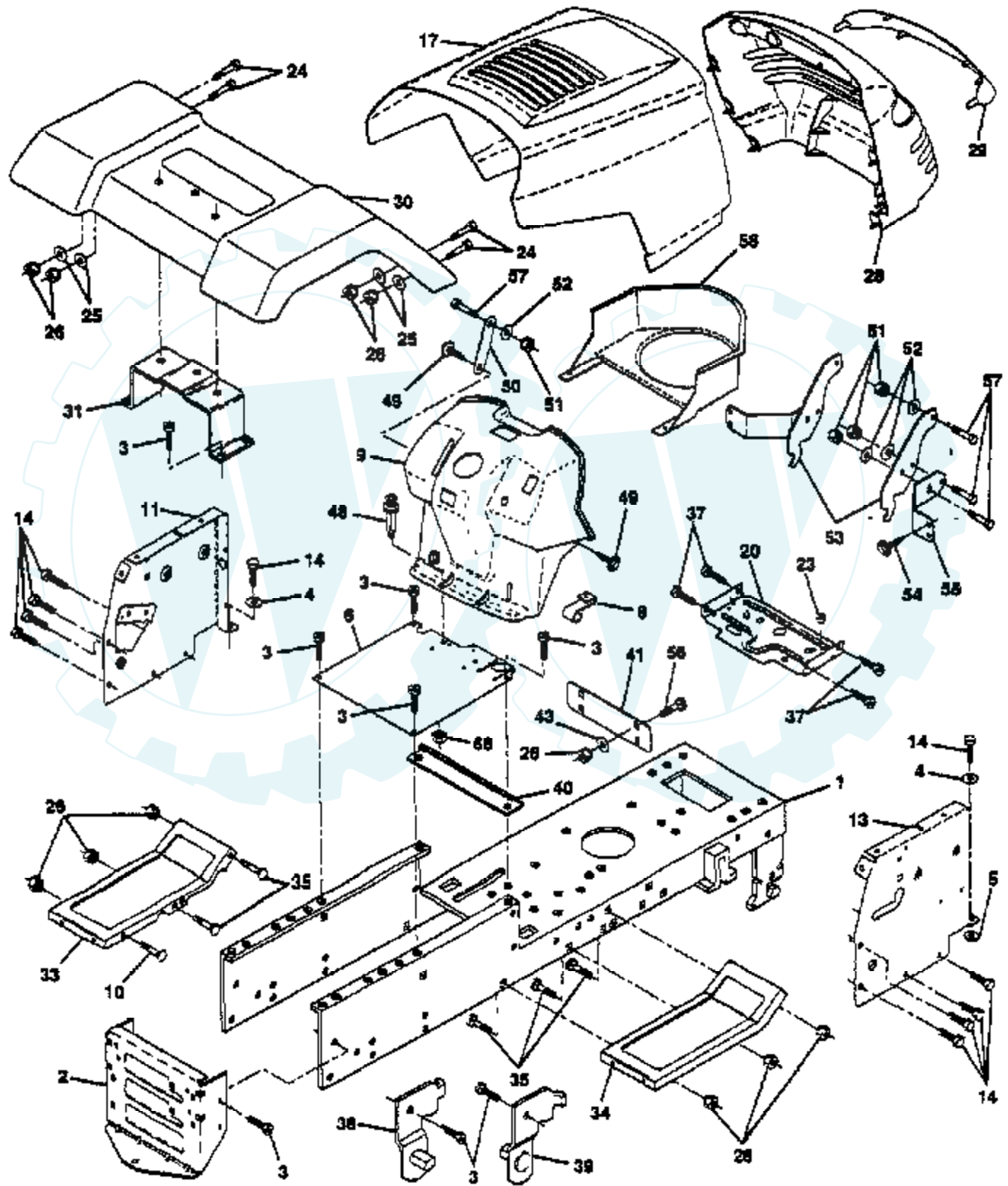


# 14 HP 42" TRACTOR -- MODEL NUMBER CP14542A

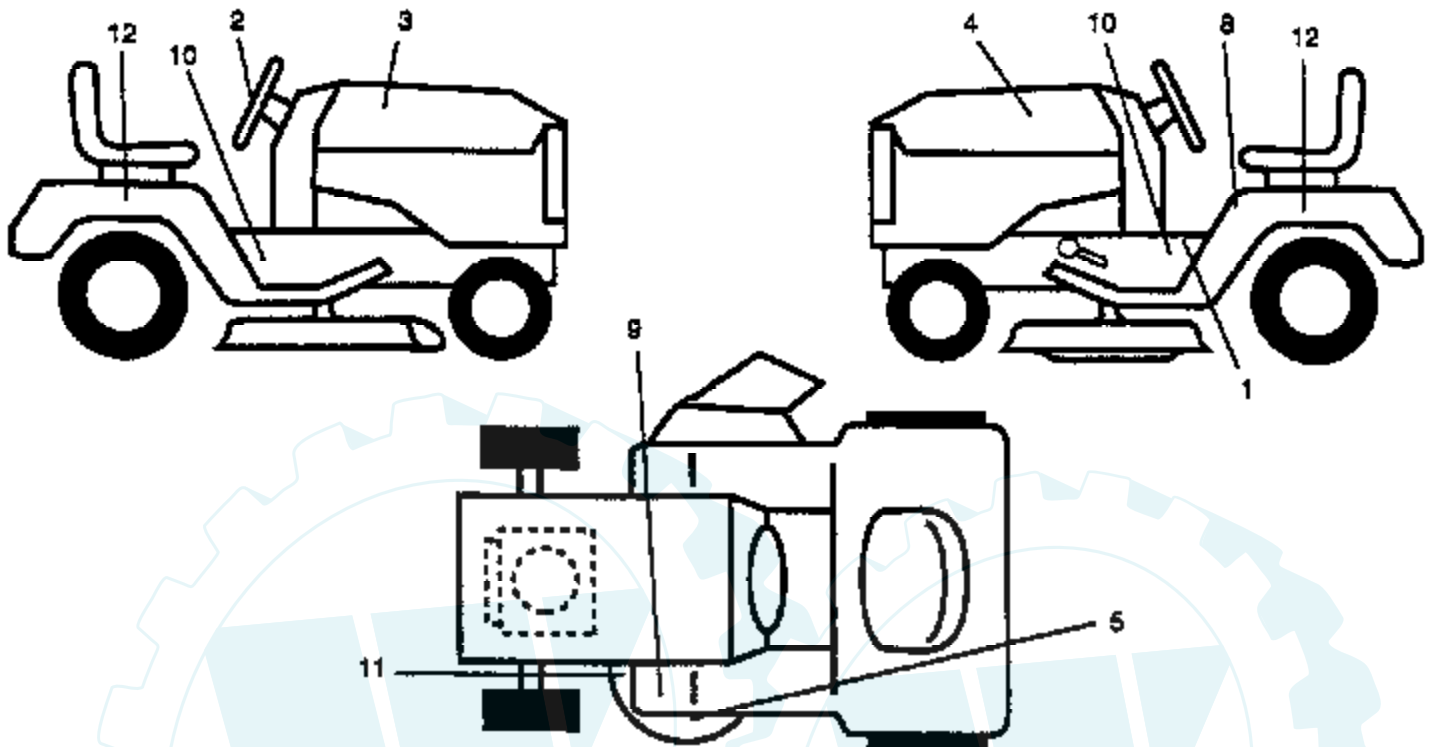
## CHASSIS AND ENCLOSURES



| Ref # | Part Number | Qty | Description       |
|-------|-------------|-----|-------------------|
| 1     | 140341      |     | SUB= 145501       |
| 2     | 140356      |     | SUB= 145009       |
| 3     | 17490612    |     | SCREW             |
| 4     | 19131216    |     | WASHER            |
| 5     | 11050600    |     | LOCKWASHER        |
| 6     | 140169      |     | SUB= 145206X431   |
| 8     | 126471X     |     | "CLIP,INSULATOR"  |
| 9     | 140622      |     | SUB= 532142467    |
| 10    | 72140608    |     | SUB= 72110608     |
| 11    | 140815      |     | SUB= 146965       |
| 13    | 140178      |     | SUB= 146959       |
| 14    | 17490608    |     | SCREW LT          |
| 17    | 139394X520  |     | HOOD.STL.PRIV.LA  |
| 20    | 140281      |     | SUB= 140281X431   |
| 23    | 124028X     |     | SUB= 532124028    |
| 24    | 74780616    |     | BOLT              |
| 25    | 19131312    |     | WASHER            |
| 26    | 73800600    |     | NUT               |
| 28    | 140141      |     | SUB= 157373       |
| 29    | 140273      |     | LENS GRILLE       |
| 30    | 140001X520  |     | FENDER.PNTD       |
| 31    | 139976      |     | BRACKET SUPT FEND |
| 33    | 105465X417  |     | SUB= 145244X417   |
| 34    | 105464X417  |     | SUB= 145243X417   |
| 35    | 72110606    |     | BOLT              |
| 37    | 17490512    |     | SCREW             |
| 38    | 139886      |     | BRACKET ASM LH    |
| 39    | 139887      |     | BRACKET ASM RH    |
| 40    | 139977      |     | SPACER FENDER LT  |
| 41    | 139978      |     | PLATE EXTEN FEND  |
| 43    | 19171416    |     | WASHER            |
| 48    | 138096      |     | RIVET.PUSH.PLATE  |
| 49    | 17490412    |     | SCREW HEX CRT     |
| 50    | 142779      |     | BRACE SUPT DASH   |
| 51    | 73800400    |     | NUT               |
| 52    | 19091416    |     | WASHER            |
| 53    | 140219      |     | HING PICK-OFF HD  |
| 54    | 17030814    |     | SUB= 91817030814  |
| 55    | 143007      |     | BRACKET GRILLE    |
| 56    | 72140608    |     | SUB= 72110608     |
| 57    | 74780412    |     | SUB= 74780414     |
| 58    | 140806      |     | DUCT AIR 12-15H   |
| 68    | 73510400    |     | NUT               |
|       | 5479J       |     | PLUG BUTTON T     |
|       | 134014      |     | PLUG DOME         |

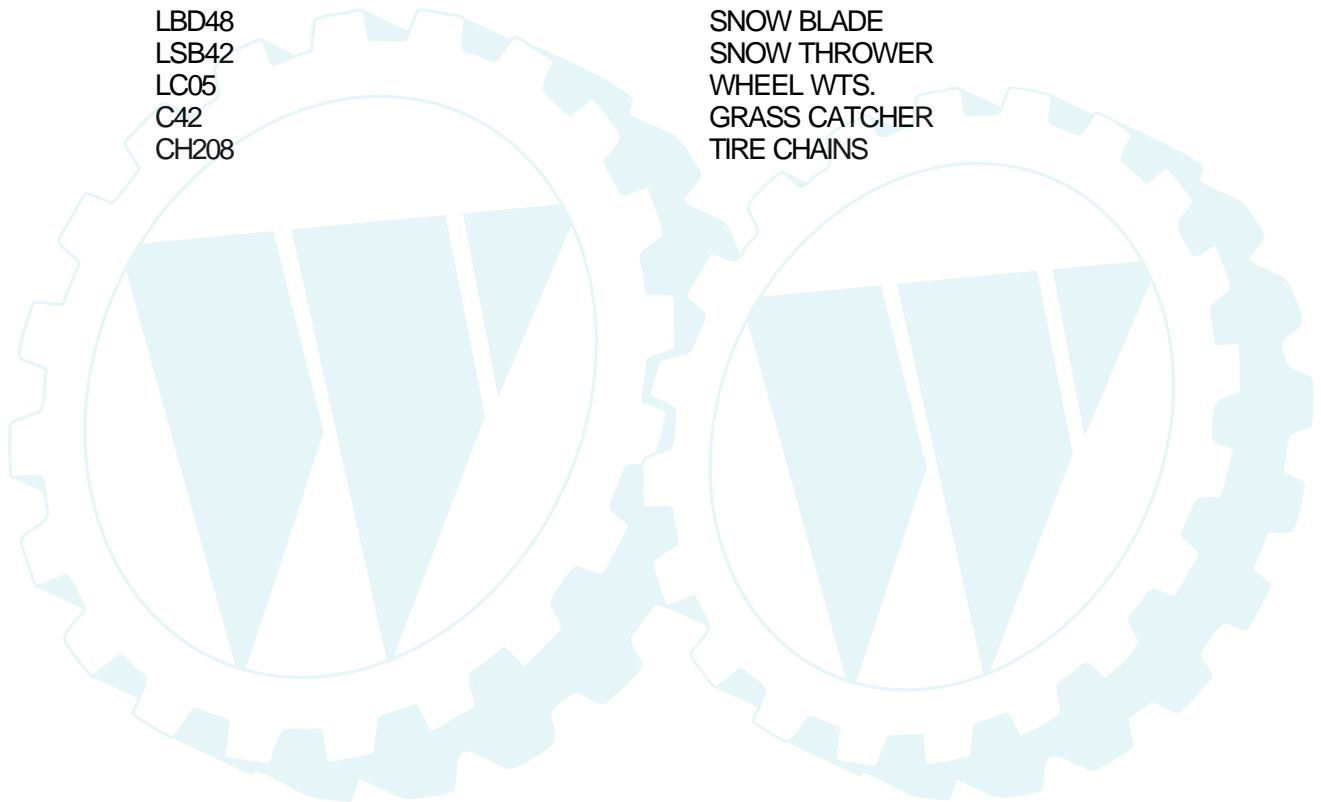
### 14 HP 42" TRACTOR - - MODEL NUMBER CP14542A

#### DECALS



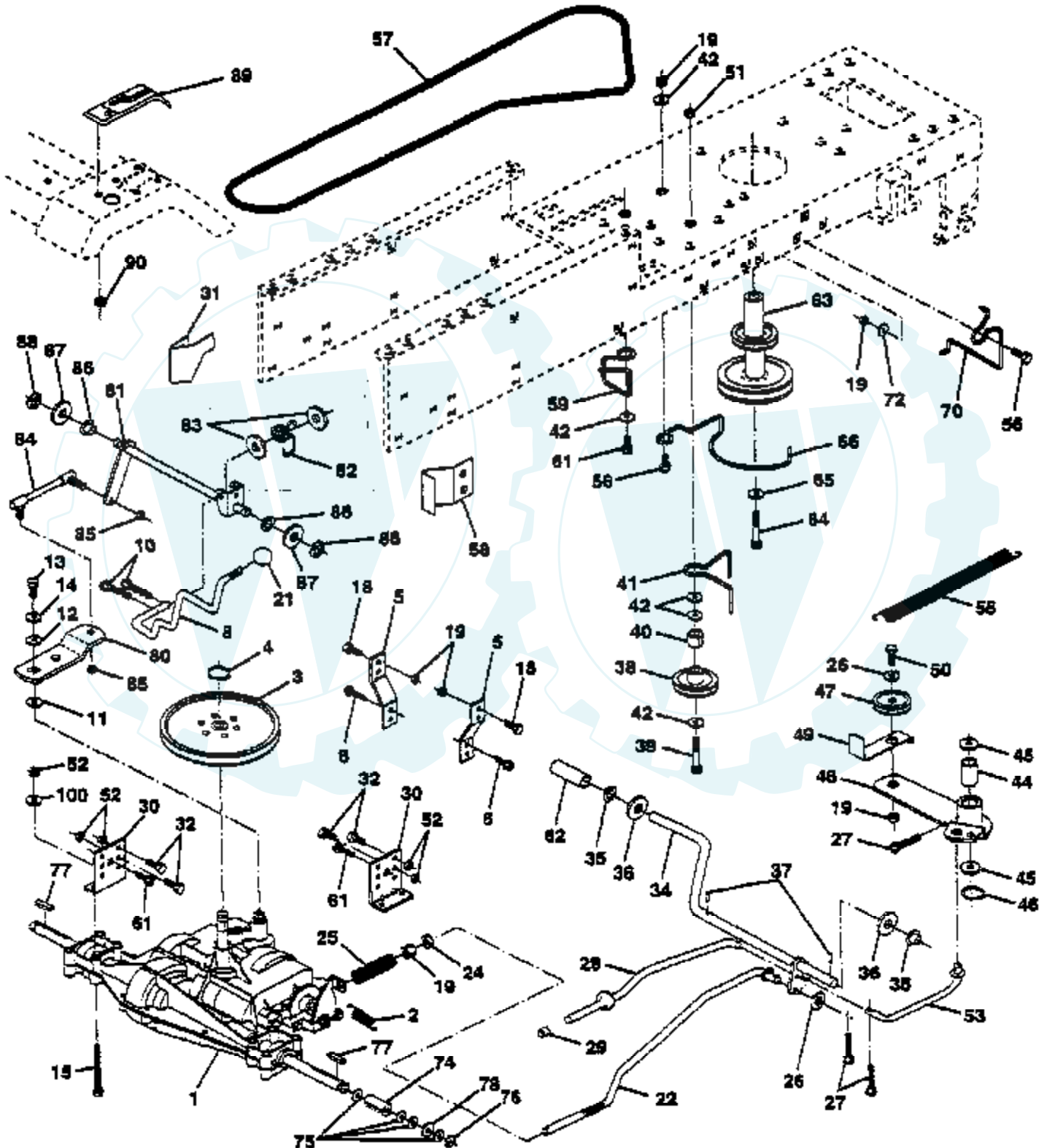
**NOTE:** All component dimensions given in U.S. inches  
1 inch = 25.4 mm

| Ref # | Part Number | Qty | Description       |
|-------|-------------|-----|-------------------|
| 1     | 140819      |     | SUB= 156867       |
| 2     | 135594      |     | NLA               |
| 3     | 145588      |     | DECAL.HD.RH.CP.   |
| 4     | 145589      |     | DECAL.HD.LH.CP.   |
| 5     | 135013      |     | NLA               |
| 8     | 133796      |     | DECAL             |
| 9     | 4900J       |     | DECAL T           |
| 10    | 131425      |     | CHASSIS DECAL     |
| 11    | 136832      |     | DECAL             |
| 12    | 138841      |     | DECAL.FEND.QUICK. |
|       | 133671      |     | FOOTREST PAD      |
|       | 138311      |     | DECAL HANDLE LIFT |
|       | 145278      |     | MANUAL.OP.GENERIC |
|       | 145593      |     | MANUAL.P.CP14542A |
|       | LBD48       |     | SNOW BLADE        |
|       | LSB42       |     | SNOW THROWER      |
|       | LC05        |     | WHEEL WTS.        |
|       | C42         |     | GRASS CATCHER     |
|       | CH208       |     | TIRE CHAINS       |



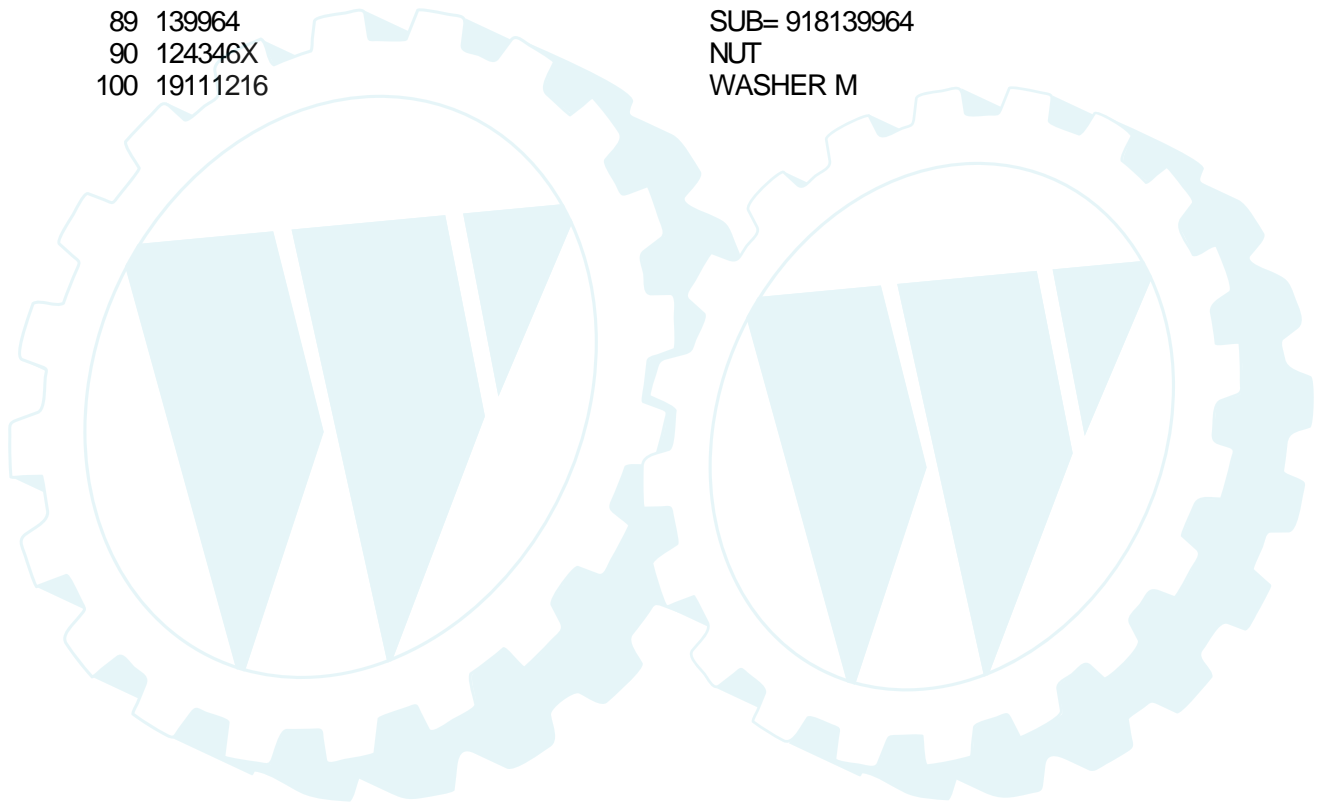
### 14 HP 42" TRACTOR - - MODEL NUMBER CP14542A

#### DRIVE



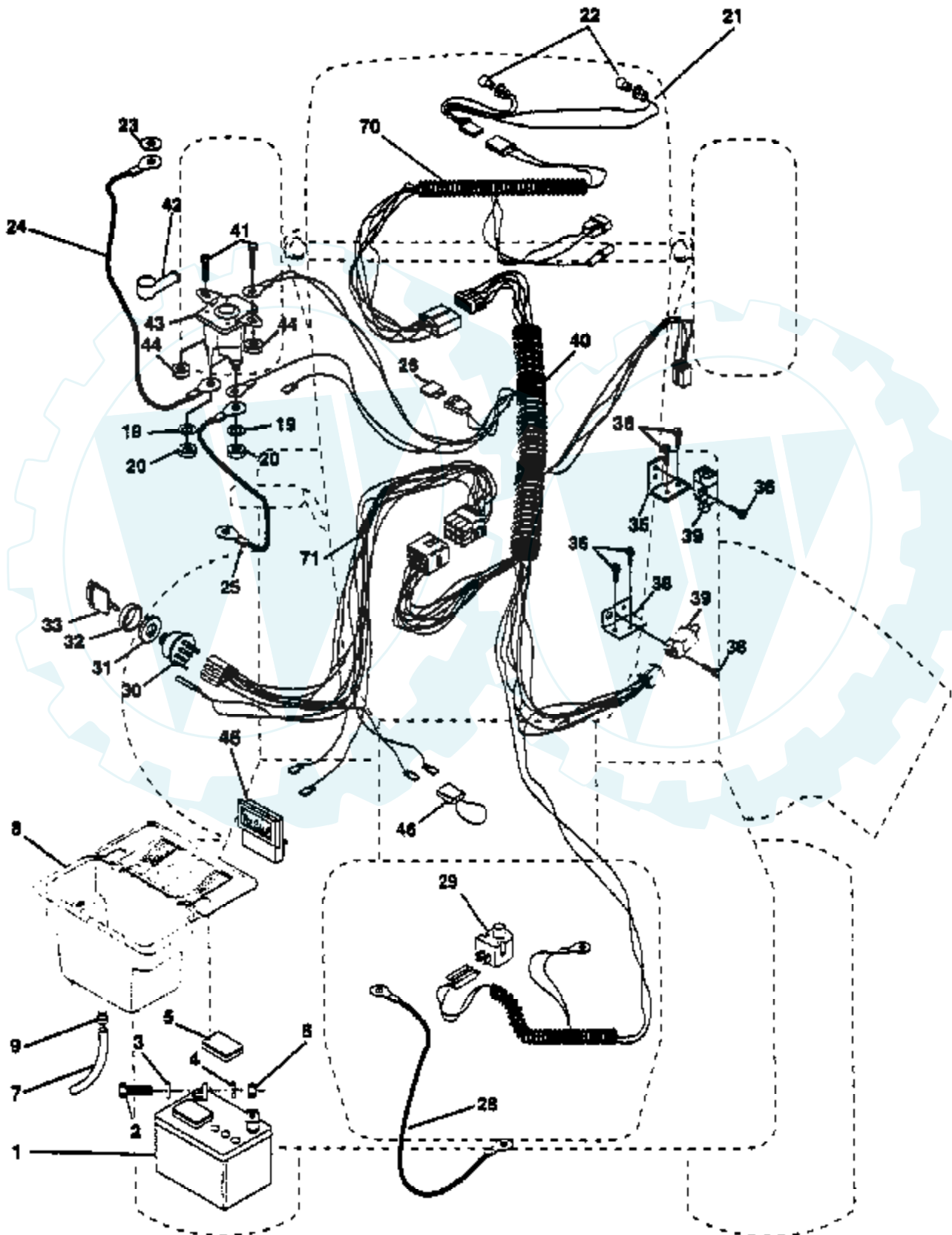
| Ref # | Part Number | Qty | Description         |
|-------|-------------|-----|---------------------|
| 1     | 142607      |     | SUB= 145605         |
| 2     | 110422X     |     | SUB= 146682         |
| 3     | 123666X     |     | PULLEY TRANS        |
| 4     | 12000028    |     | SUB= 2267J          |
| 5     | 121520X     |     | STRAP TORQUE        |
| 6     | 17490512    |     | SCREW               |
| 8     | 141003      |     | ROD SHIFT FEND LT   |
| 10    | 76020416    |     | PIN COTTER 1/8      |
| 11    | 105701X     |     | WASH-SHFT PLT LT    |
| 12    | 19151216    |     | WASHER              |
| 13    | 74550412    |     | BOLT.1/4-28.W/PAT   |
| 14    | 10040400    |     | LOCKWASHER          |
| 15    | 74780544    |     | BOLT HEX            |
| 16    | 73800500    |     | NUT                 |
| 18    | 74780616    |     | BOLT                |
| 19    | 73800600    |     | NUT                 |
| 21    | 106933X     |     | KNOB T (1/2-HOLE)   |
| 22    | 130804      |     | BRAKE ROD           |
| 24    | 73350600    |     | NUT                 |
| 25    | 106888X     |     | SPRING ROD LT       |
| 26    | 19131316    |     | WASHER              |
| 27    | 76020412    |     | COTTER PIN          |
| 28    | 140448      |     | ROD PARK BRAKE      |
| 29    | 71673       |     | PLUNGER CAP T       |
| 30    | 130807      |     | TRANSAXLE MTG BKT   |
| 31    | 127275X     |     | "KEEPER,BELT LH T"  |
| 32    | 74760512    |     | BOLT                |
| 34    | 122424X     |     | SUB= 149001         |
| 35    | 120183X     |     | NYLON BEARING       |
| 36    | 19211616    |     | WASHER LT           |
| 37    | 1572H       |     | SUB= 2882J          |
| 38    | 123674X     |     | PULLEY.IDLER.FLAT   |
| 39    | 74760644    |     | BOLT                |
| 40    | 4470J       |     | SPACER T            |
| 41    | 109070X     |     | BELT KEEPER LT      |
| 42    | 19131312    |     | WASHER              |
| 44    | 105706X     |     | "LY, BEARING"       |
| 45    | 110812X     |     | WASHER LT           |
| 46    | 12000039    |     | KLIP RING           |
| 47    | 127783      |     | SUB= 139245         |
| 48    | 123789X     |     | ARM IDLER           |
| 49    | 123205X     |     | RETAIN BELT         |
| 50    | 74760624    |     | SUB= 74930624       |
| 52    | 73680500    |     | SUB= 73690500       |
| 53    | 105710X     |     | "LINK, CLUTCH T"    |
| 55    | 105709X     |     | "SPRING, RETURN LT" |
| 56    | 74760620    |     | SUB= 74780620       |
| 57    | 130801      |     | SUB= 138255         |
| 58    | 127274X     |     | "KEEPER,BELT RH T"  |
| 59    | 140312      |     | KEEPER BELT CNTSP   |
| 61    | 17490612    |     | SCREW               |
| 62    | 8883R       |     | PEDAL COVER T       |
| 63    | 140186      |     | PULLEY.ENGINE       |
| 64    | 71170764    |     | BOLT                |
| 65    | 10040700    |     | LOCKWASHER          |
| 66    | 129921      |     | KEEPER.BELT.ENG.L   |
| 70    | 134683      |     | KEEPER BELT ENG     |
| 72    | 19132012    |     | WASHER              |

| Ref # | Part Number | Qty | Description      |
|-------|-------------|-----|------------------|
| 74    | 109502X     |     | SPACER LT        |
| 75    | 121749X     |     | WASHER           |
| 76    | 12000001    |     | E-RING LT        |
| 77    | 123583X     |     | SQUARE KEY       |
| 78    | 121748X     |     | WASHER           |
| 80    | 131487      |     | ARM SHIFT TRANS  |
| 81    | 136933      |     | SHAFT ASM.SHIFT  |
| 82    | 123782X     |     | "SPRING,TORSION" |
| 83    | 19171216    |     | WASHER           |
| 84    | 132183      |     | TIE ROD          |
| 85    | 73530400    |     | NUT 1/4-28       |
| 86    | 71208       |     | BUSHING          |
| 87    | 19212016    |     | WASHER D         |
| 88    | 12000008    |     | KLIP RING        |
| 89    | 139964      |     | SUB= 918139964   |
| 90    | 124346X     |     | NUT              |
| 100   | 19111216    |     | WASHER M         |



### 14 HP 42" TRACTOR -- MODEL NUMBER CP14542A

### ELECTRICAL

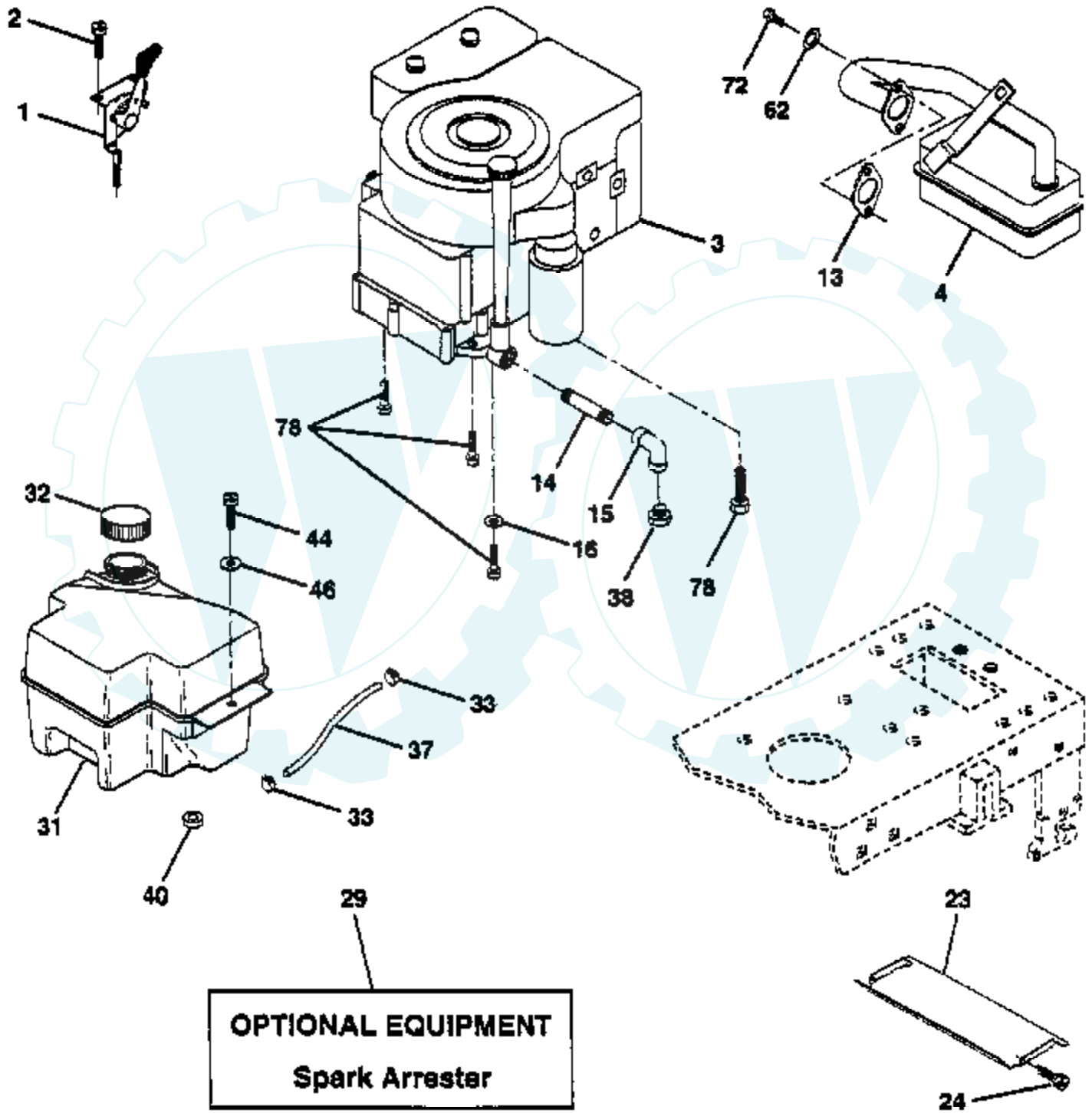




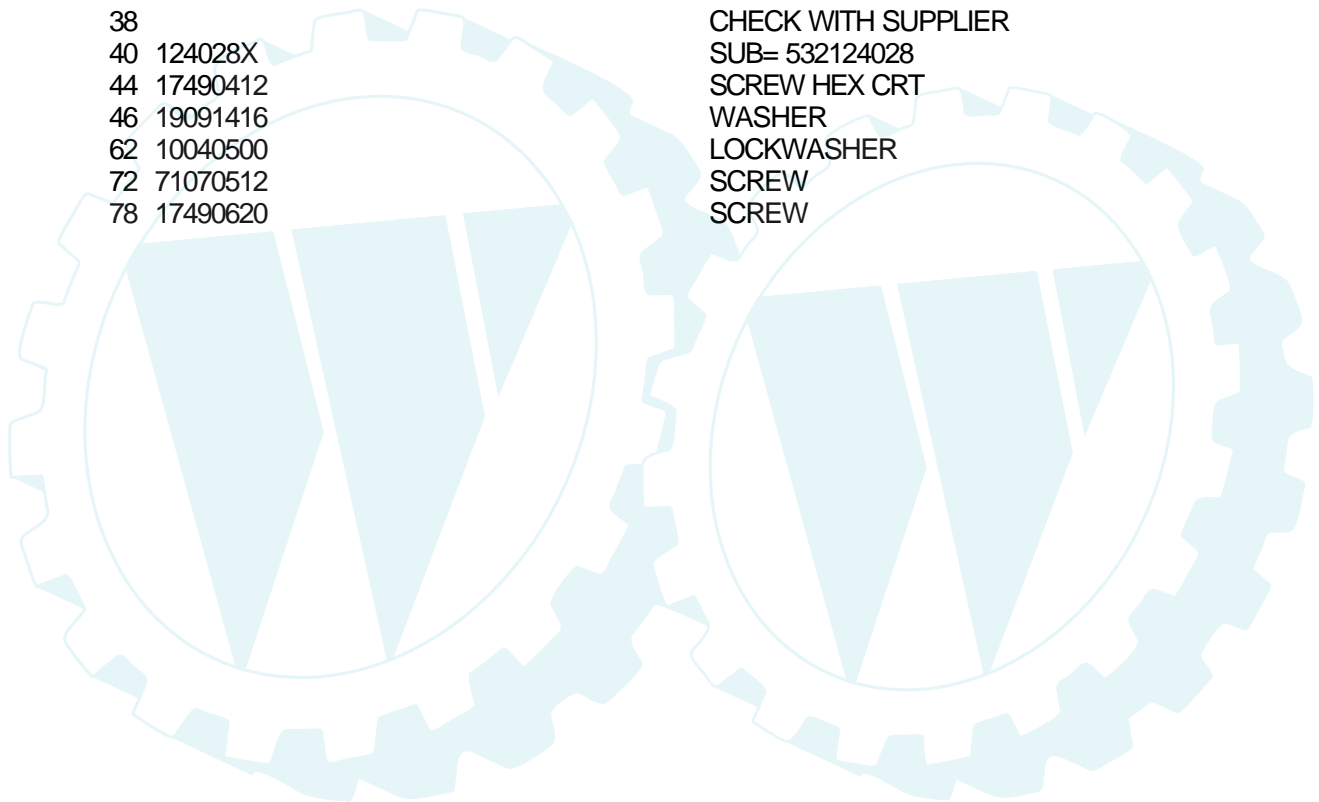
| Ref # | Part Number | Qty | Description         |
|-------|-------------|-----|---------------------|
| 1     | 121265X     |     | SUB= 123899X        |
| 2     | 74760412    |     | BOLT LT             |
| 3     | 19091016    |     | WASHER              |
| 4     | 10040400    |     | LOCKWASHER          |
| 5     | 121264X     |     | "CAP,BATTERY "      |
| 6     | 73220400    |     | SUB= 50675          |
| 7     | 109238X     |     | TUBE T              |
| 8     | 129965      |     | SUB= 156417         |
| 9     | 109596X     |     | HOSE CLAMP T        |
| 19    | 10090400    |     | SUB= 10040400       |
| 20    | 73350400    |     | NUT                 |
| 21    | 136850      |     | "HARNESS,LIGHT SOC" |
| 22    | 4152J       |     | HEADLAMP BULB       |
| 23    | 11150400    |     | LOCKWASHER          |
| 24    | 132202      |     | SUB= 146147         |
| 25    | 4799J       |     | "CABLE T, BATTERY"  |
| 26    | 108824X     |     | FUSE HYT            |
| 28    | 4207J       |     | CABLE T             |
| 29    | 121305X     |     | SWITCH SEAT         |
| 30    | 140301      |     | SWITCH IGN 4POS     |
| 31    | 124211X     |     | NUT IGNITION        |
| 32    | 141226      |     | COVER KEY SWITCH    |
| 33    | 122147X     |     | KEY                 |
| 35    | 108236X     |     | BRACKET LT          |
| 36    | 17021008    |     | SCREW               |
| 38    | 140336      |     | BRACKET SWITCH IN   |
| 39    | 109553X     |     | SWITCH INTERLOCKT   |
| 40    | 140707      |     | HARNESS IGN B&S     |
| 41    | 71110408    |     | BOLT HXHD FIN       |
| 42    | 131563      |     | SUB= 154336         |
| 43    | 138406      |     | SUB= 146154         |
| 44    | 73640400    |     | NUT HXKEP 1/4X20    |
| 45    | 122822X     |     | AMMETER             |
| 46    | 141940      |     | PROTECTION LOOP     |
| 70    | 141164      |     | HARNESS ENGINE      |
| 71    | 140710      |     | HARNESS DASH LT     |

### 14 HP 42" TRACTOR - MODEL NUMBER CP14542A

#### ENGINE

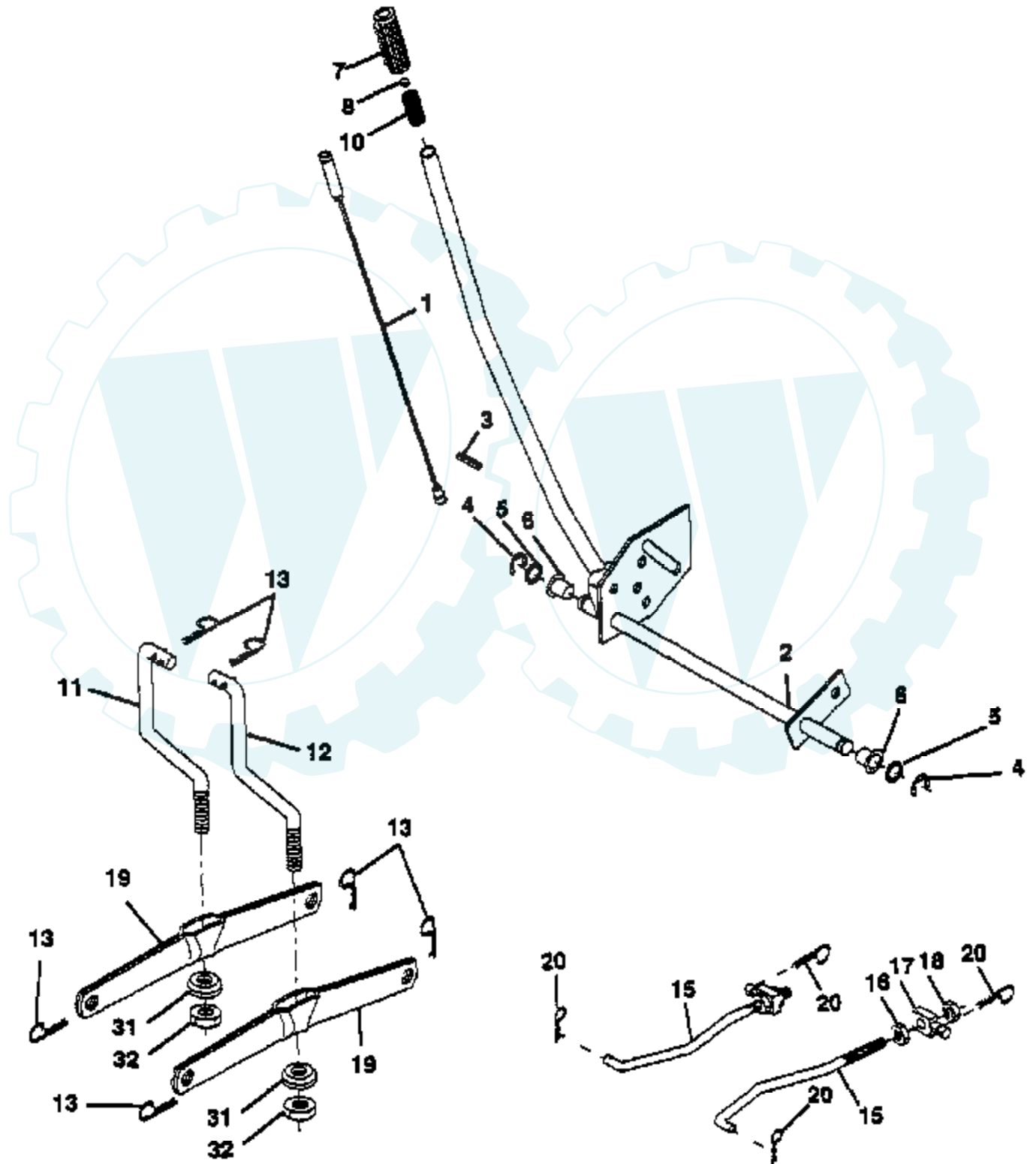


| Ref # | Part Number | Qty | Description         |
|-------|-------------|-----|---------------------|
| 1     | 140310      |     | CONTROL THROTTLE    |
| 2     | 17720410    |     | SCREW LT            |
| 3     | 287707      |     | ENGINE B&S          |
| 4     | 137352      |     | MUFFLER             |
| 13    | 125593X     |     | SUB= 272293         |
| 14    | 13280324    |     | PIPE NIPPLE         |
| 15    | 13200300    |     | ELBOW               |
| 16    | 11050600    |     | LOCKWASHER          |
| 23    | 128953      |     | HEAT SHIELD         |
| 24    | 17021008    |     | SCREW               |
| 29    | 137180      |     | SUB= 532137180      |
| 31    | 140280      |     | SUB= 161911         |
| 32    | 140527      |     | CAP ASM FUEL        |
| 33    | 123487X     |     | HOSE CLAMP          |
| 38    |             |     | CHECK WITH SUPPLIER |
| 40    | 124028X     |     | SUB= 532124028      |
| 44    | 17490412    |     | SCREW HEX CRT       |
| 46    | 19091416    |     | WASHER              |
| 62    | 10040500    |     | LOCKWASHER          |
| 72    | 71070512    |     | SCREW               |
| 78    | 17490620    |     | SCREW               |

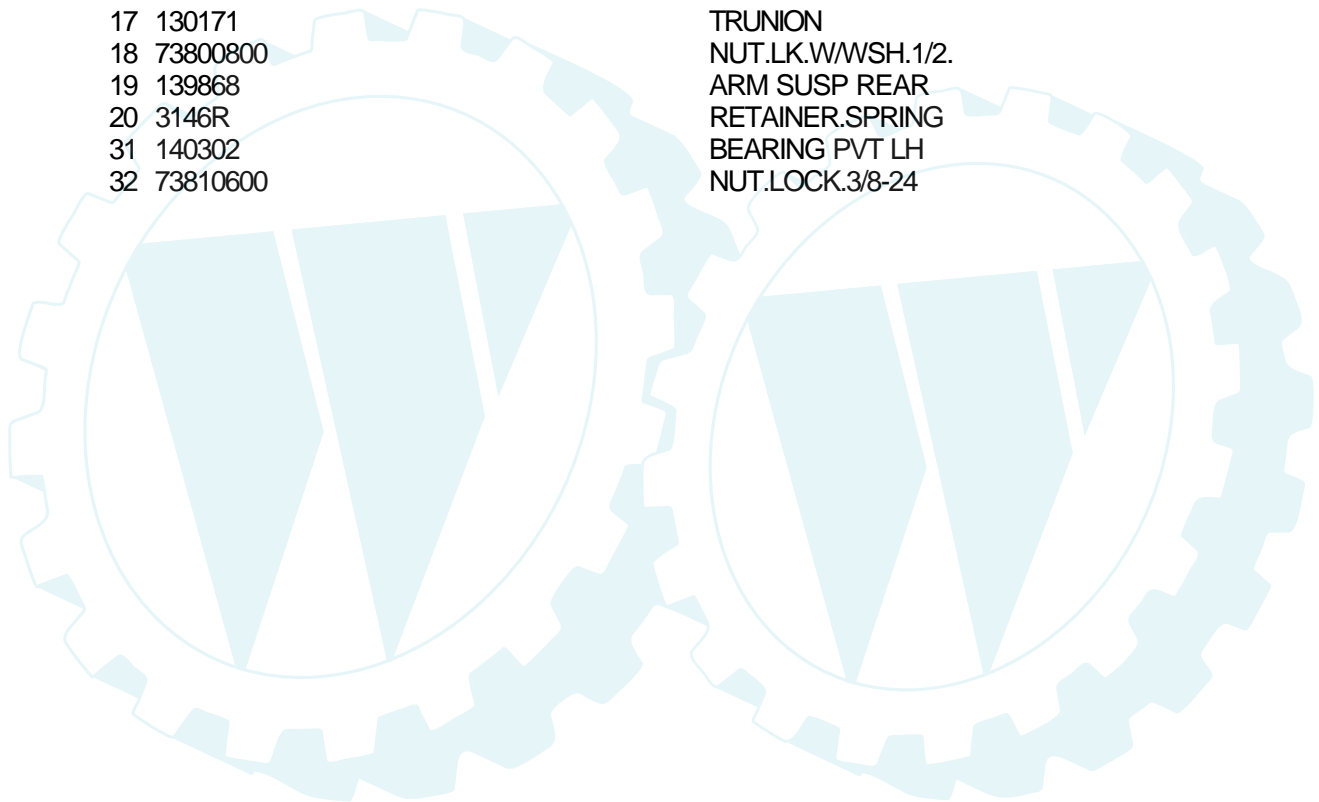


### 14 HP 42" TRACTOR -- MODEL NUMBER CP14542A

#### LIFT

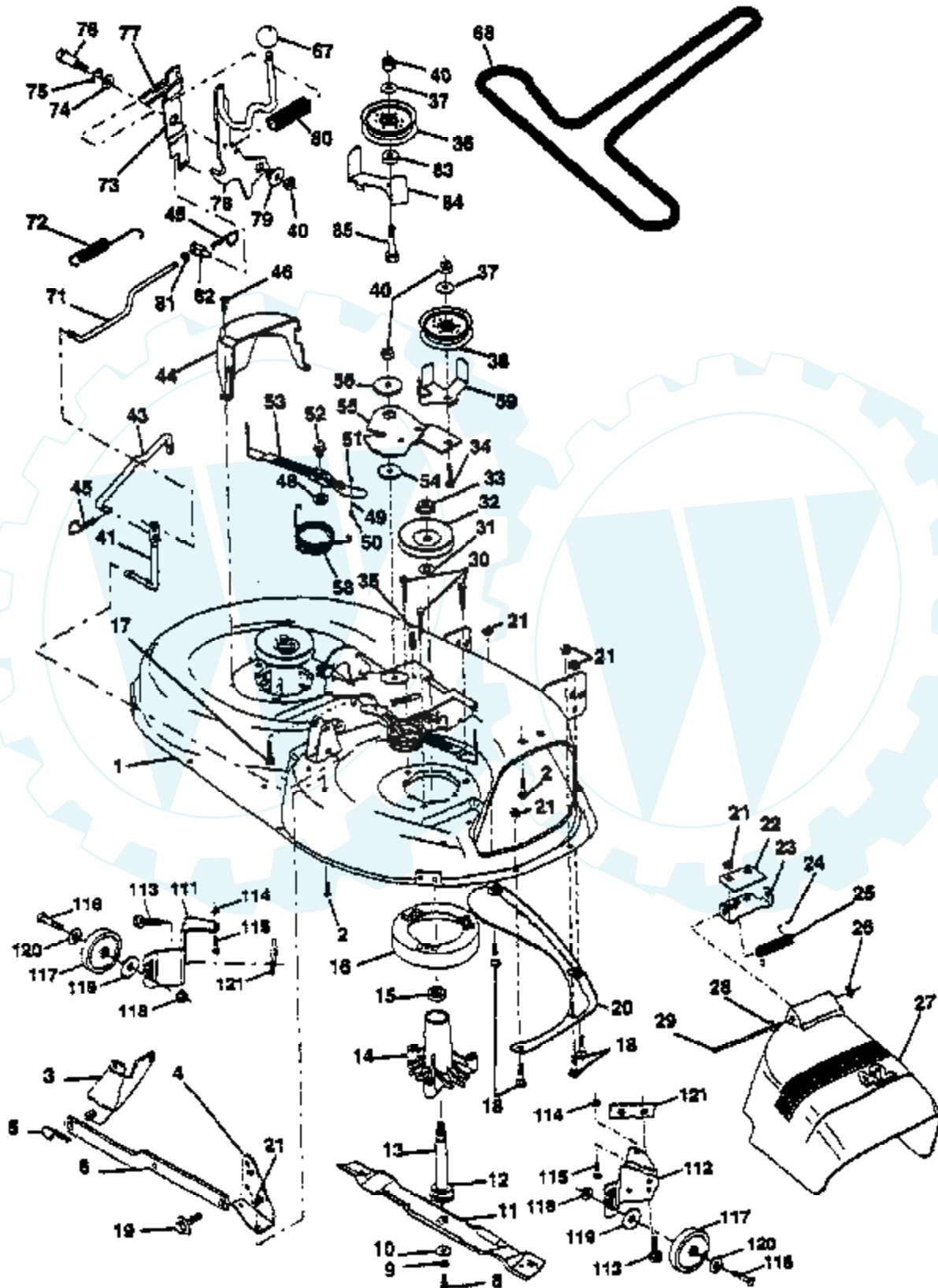


| Ref # | Part Number | Qty | Description       |
|-------|-------------|-----|-------------------|
| 1     | 136973      |     | WIRE ASM          |
| 2     | 140278      |     | HANDLE.LIFT.LH.   |
| 3     | 138284      |     | PIN GROOVE        |
| 4     | 1200002     |     | E-RING            |
| 5     | 19211621    |     | WASHER            |
| 6     | 120183X     |     | NYLON BEARING     |
| 7     | 109413X     |     | GRIP              |
| 8     | 124526X     |     | SUB= 125925X      |
| 10    | 122512X     |     | SUB= 532122512    |
| 11    | 139865      |     | SUB= 918139865    |
| 12    | 139866      |     | SUB= 151140       |
| 13    | 4939M       |     | SUB= 85902        |
| 15    | 127218      |     | LINK.FRONT        |
| 16    | 73350800    |     | NUT               |
| 17    | 130171      |     | TRUNION           |
| 18    | 73800800    |     | NUT.LK.W/WSH.1/2. |
| 19    | 139868      |     | ARM SUSP REAR     |
| 20    | 3146R       |     | RETAINER.SPRING   |
| 31    | 140302      |     | BEARING PVT LH    |
| 32    | 73810600    |     | NUT.LOCK.3/8-24   |



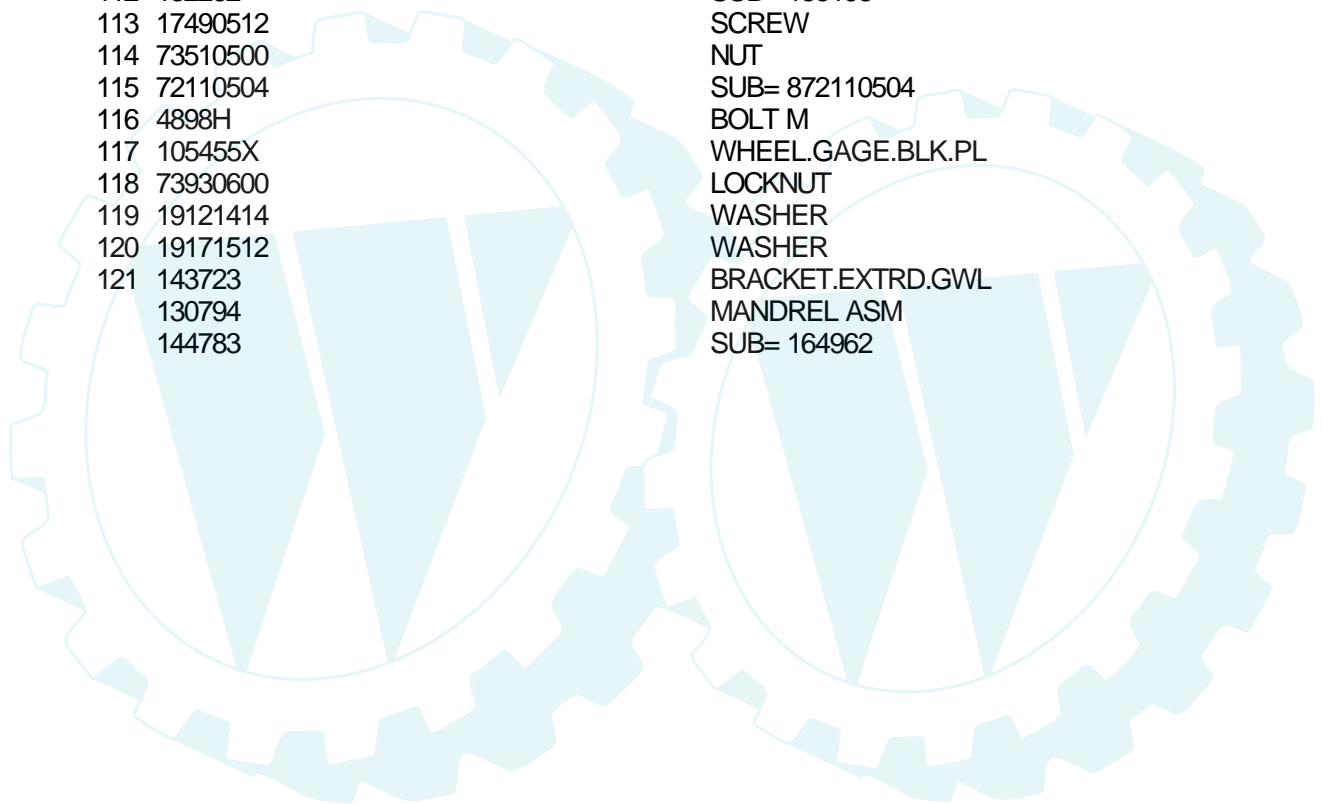
### 14 HP 42" TRACTOR - - MODEL NUMBER CP14542A

### 42" MOWER DECK



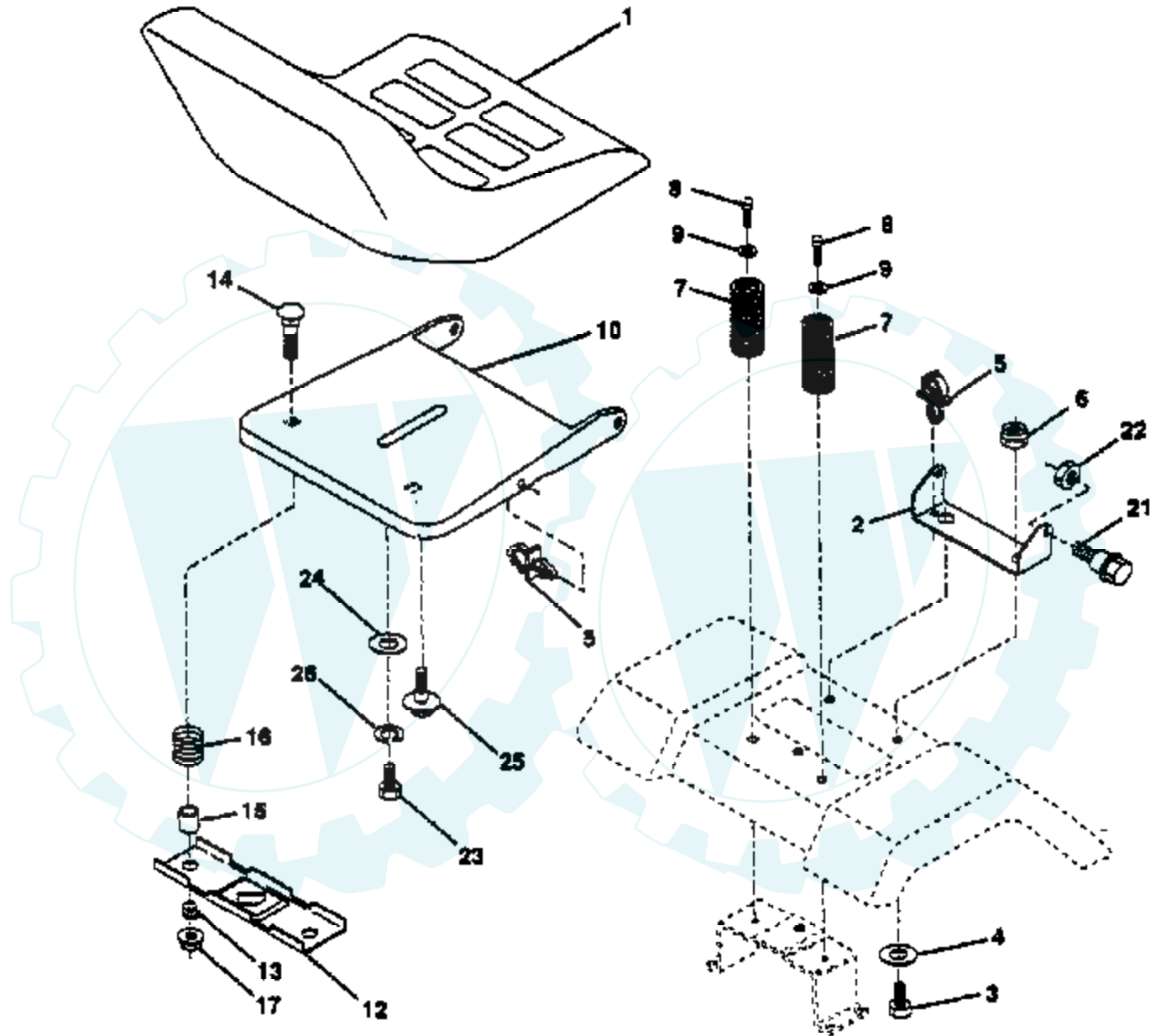
| Ref # | Part Number | Qty | Description         |
|-------|-------------|-----|---------------------|
| 1     | 144393      |     | DECK.WELD.42.       |
| 2     | 72140506    |     | BOLT                |
| 3     | 138017      |     | BRKT ASM SWAY BAR   |
| 4     | 138440      |     | BRKT DECK SW BAR    |
| 5     | 4939M       |     | SUB= 85902          |
| 6     | 130832      |     | SUB= 130833         |
| 8     | 850857      |     | BLADE BOLT          |
| 9     | 10030600    |     | SUB= 10040600       |
| 10    | 140296      |     | WASHER.HARD.BLADE   |
| 11    | 138498      |     | "BLADE.42"" HIPERF" |
| 12    | 129895      |     | BEARING.BALL        |
| 13    | 137645      |     | SUB= 137646         |
| 14    | 128774      |     | HSG ASM MANDREL     |
| 15    | 110485X     |     | BEARING             |
| 16    | 140329      |     | STRIPPER RND MWR    |
| 17    | 72110610    |     | BOLT RDHD 3/8-16    |
| 18    | 72140505    |     | BOLT                |
| 19    | 132827      |     | BOLT SHD 5/16-18    |
| 20    | 136888      |     | SUB= 918136888      |
| 21    | 73680500    |     | SUB= 73690500       |
| 22    | 134753      |     | STIFFENER BRKT      |
| 23    | 131267      |     | DEFLECTOR BRKT      |
| 24    | 105304X     |     | CAP-SLEEVE LT       |
| 25    | 123713X     |     | SPRING TORSION      |
| 26    | 110452X     |     | NUT PUSH M          |
| 27    | 130968      |     | DEFLECTOR.SHIELD    |
| 28    | 19111016    |     | WASHER              |
| 29    | 131491      |     | HINGE ROD           |
| 30    | 138776      |     | SUB= 157722         |
| 31    | 129963      |     | WASHER              |
| 32    | 129861      |     | SUB= 153535         |
| 33    | 137266      |     | SUB= 139729         |
| 34    | 72110614    |     | BOLT                |
| 35    | 133835      |     | XMAS TREE FASTNER   |
| 36    | 131494      |     | FLAT IDLER PULLEY   |
| 37    | 19131316    |     | WASHER              |
| 40    | 73680600    |     | SUB= 73690600       |
| 41    | 133551      |     | PIVOT ROD           |
| 43    | 140083      |     | ROD CLUTCH W/NIBS   |
| 44    | 140088      |     | GUARD MAND LH BLK   |
| 45    | 4497H       |     | RETAINER M          |
| 46    | 137729      |     | SCREW.1/4-20X5/8    |
| 48    | 133944      |     | HARD SMALL WASHER   |
| 49    | 133940      |     | SUB= 151785         |
| 50    | 131340      |     | SHOULDER BOLT       |
| 51    | 69180       |     | LOCKNUT             |
| 52    | 139888      |     | BOLT.SHLD.5/16-18   |
| 53    | 131845      |     | BRAKE PAD ARM ASM   |
| 54    | 133943      |     | HARDENED WASHER     |
| 55    | 140084      |     | SUB= 151785         |
| 56    | 122052X     |     | SPACER RETAINER     |
| 58    | 140086      |     | SPRING TORSN BRAK   |
| 59    | 141043      |     | GUARD IDLER TUV     |
| 67    | 106933X     |     | KNOB T (1/2-HOLE)   |
| 68    | 144200      |     | BELT.V.T-PATH       |
| 71    | 142427      |     | ROD CLUTCH 38/42    |
| 72    | 131870      |     | RETURN SPRING       |
| 73    | 127847      |     | CLUTCH ARM SECOND   |

| Ref # | Part Number | Qty | Description       |
|-------|-------------|-----|-------------------|
| 74    | 121748X     |     | WASHER            |
| 75    | 12000029    |     | RING              |
| 76    | 128903      |     | SHOULDER BOLT     |
| 77    | 127845      |     | SPRING KEEPER     |
| 78    | 140179      |     | LEVER ASM CLT PRM |
| 79    | 127498      |     | BUSHING           |
| 80    | 128759      |     | SUB= 918128759    |
| 81    | 73350600    |     | NUT               |
| 82    | 142028      |     | TRUNION ADJ       |
| 83    | 120958X     |     | WASHER            |
| 84    | 144394      |     | SUB= 156084       |
| 85    | 72140620    |     | BOLT              |
| 111   | 140353      |     | SUB= 155197       |
| 112   | 132262      |     | SUB= 155198       |
| 113   | 17490512    |     | SCREW             |
| 114   | 73510500    |     | NUT               |
| 115   | 72110504    |     | SUB= 872110504    |
| 116   | 4898H       |     | BOLT M            |
| 117   | 105455X     |     | WHEEL.GAGE.BLK.PL |
| 118   | 73930600    |     | LOCKNUT           |
| 119   | 19121414    |     | WASHER            |
| 120   | 19171512    |     | WASHER            |
| 121   | 143723      |     | BRACKET.EXTRD.GWL |
|       | 130794      |     | MANDREL ASM       |
|       | 144783      |     | SUB= 164962       |



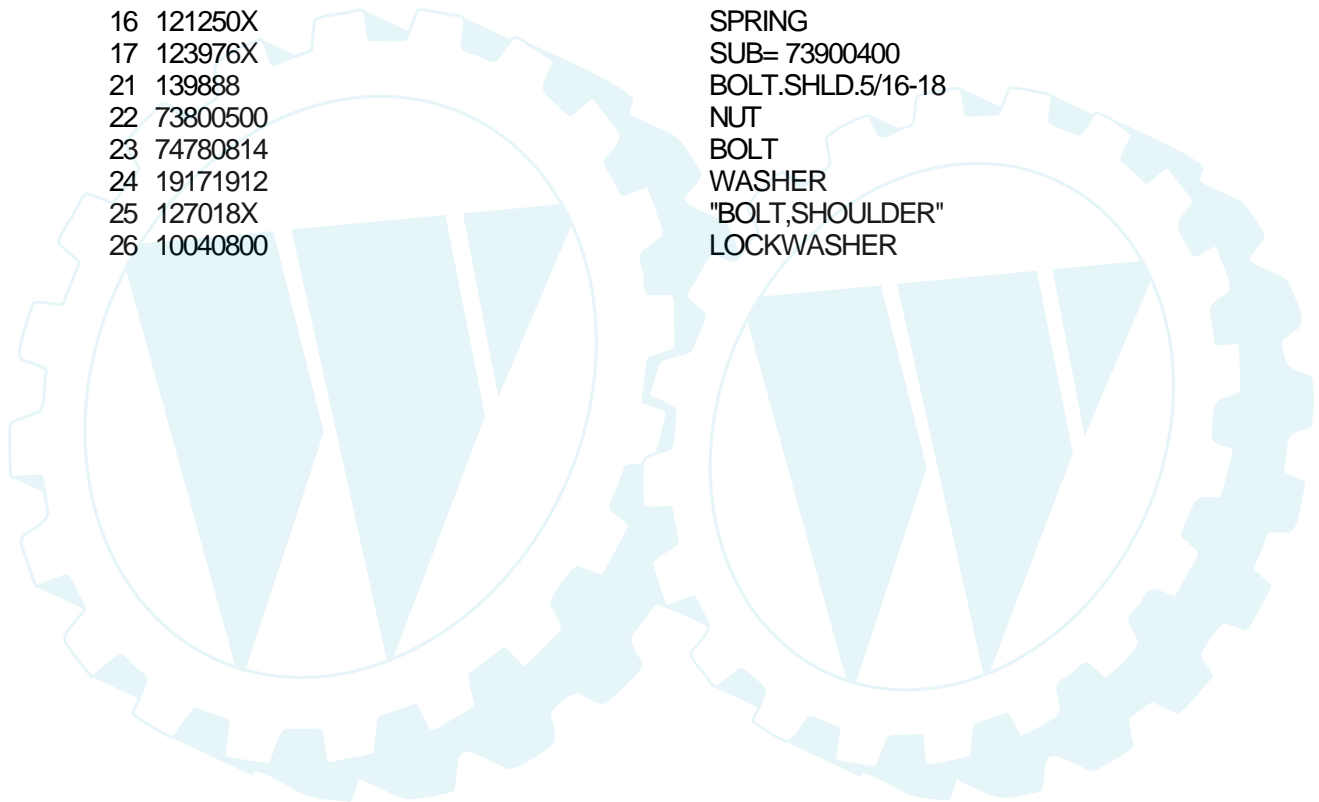


## 14 HP 42" TRACTOR - - MODEL NUMBER CP14542A SEAT ASSEMBLY



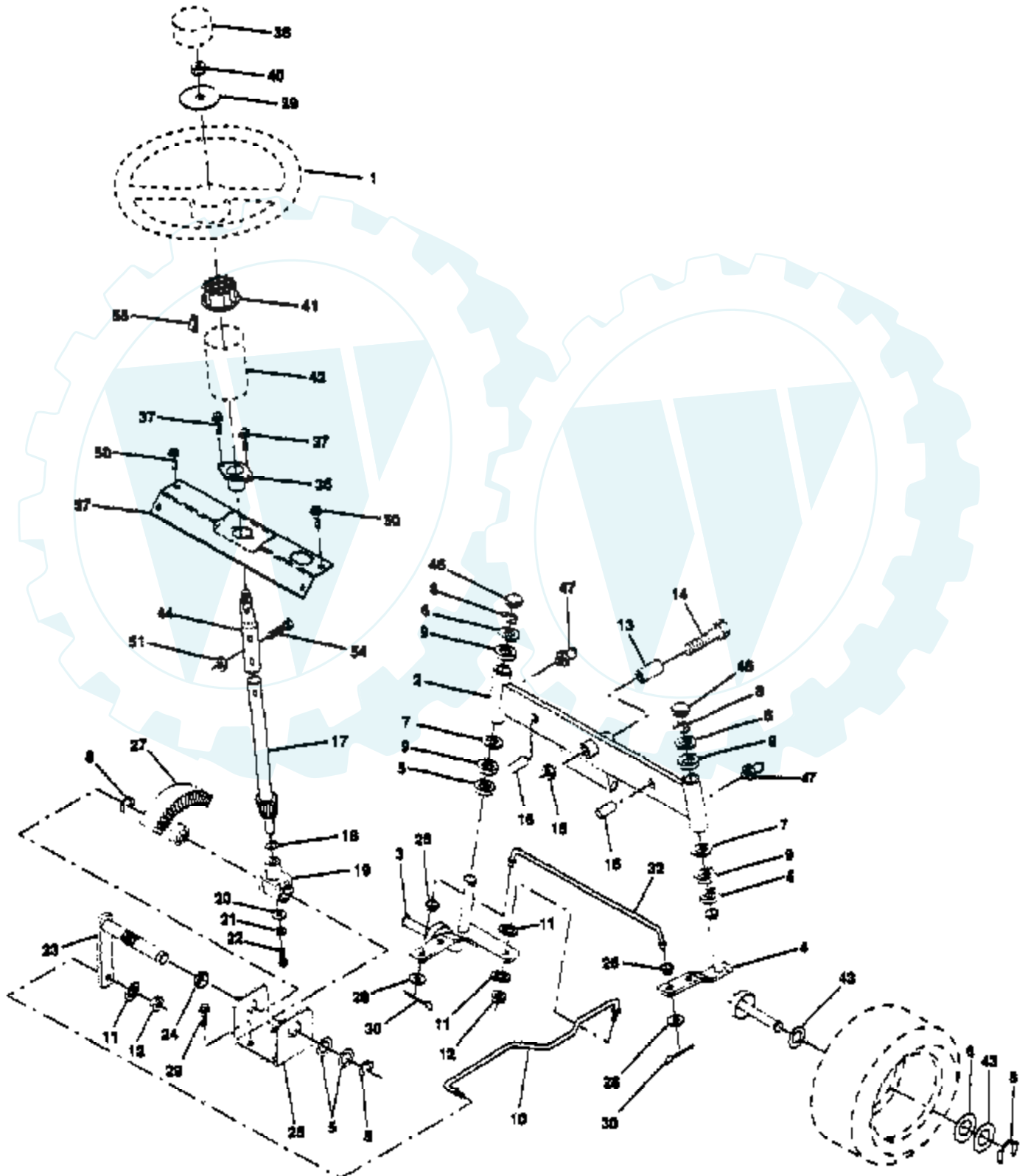
**NOTE:** All component dimensions given in U.S. inches  
1 inch = 25.4 mm

| Ref # | Part Number | Qty | Description       |
|-------|-------------|-----|-------------------|
| 1     | 127428      |     | SUB= 140119       |
| 2     | 140551      |     | BRACKET PVT SEAT  |
| 3     | 74760616    |     | BOLT              |
| 4     | 19131610    |     | WASHER PM         |
| 5     | 145006      |     | CLIP.PUSH-IN.HING |
| 6     | 73800600    |     | NUT               |
| 7     | 124181X     |     | SPRING COMPRESSIO |
| 8     | 17490616    |     | SCREW GTV         |
| 9     | 19131614    |     | WASHER            |
| 10    | 140552      |     | SUB= 155925       |
| 12    | 121246X     |     | BRKT SWITCH       |
| 13    | 121248X     |     | BUSHING           |
| 14    | 72050411    |     | SUB= 872050411    |
| 15    | 134300      |     | SPLIT SPACER      |
| 16    | 121250X     |     | SPRING            |
| 17    | 123976X     |     | SUB= 73900400     |
| 21    | 139888      |     | BOLT.SHLD.5/16-18 |
| 22    | 73800500    |     | NUT               |
| 23    | 74780814    |     | BOLT              |
| 24    | 19171912    |     | WASHER            |
| 25    | 127018X     |     | "BOLT,SHOULDER"   |
| 26    | 10040800    |     | LOCKWASHER        |



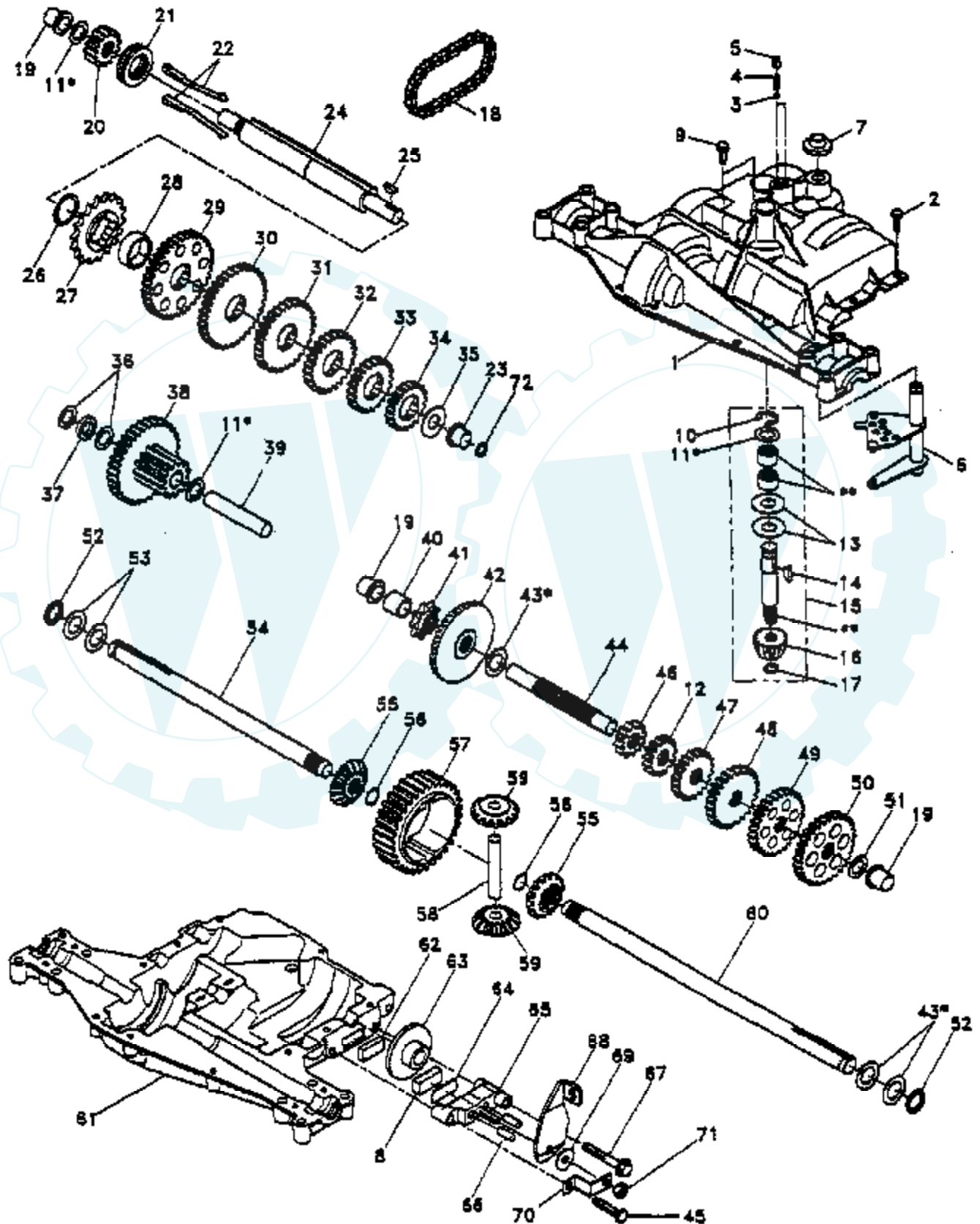
# 14 HP 42" TRACTOR -- MODEL NUMBER CP14542A

## STEERING ASSEMBLY



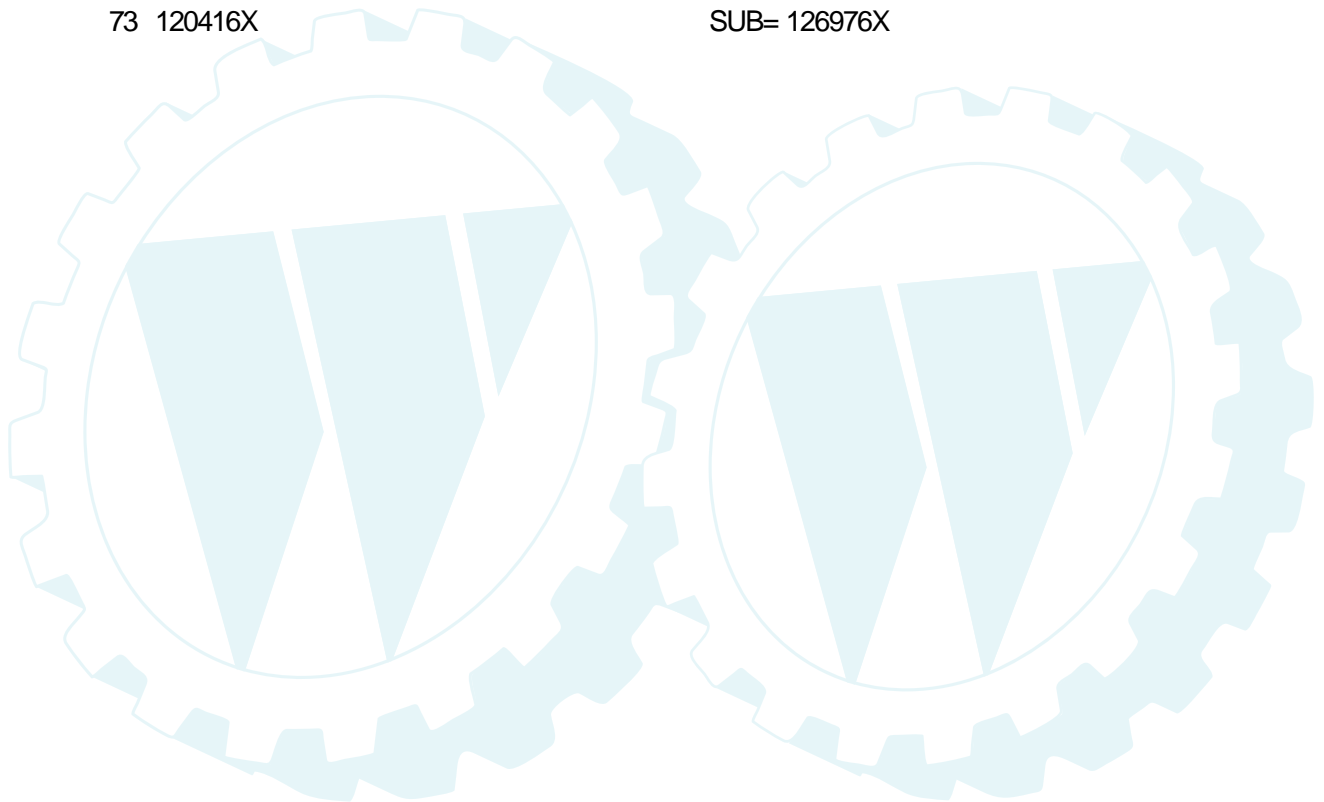
| Ref # | Part Number | Qty | Description         |
|-------|-------------|-----|---------------------|
| 1     | 133741      |     | SUB= 150547         |
| 2     | 142033      |     | AXLE ASM FRONT      |
| 3     | 135227      |     | SPINDLE LH          |
| 4     | 135228      |     | SPINDLE RH          |
| 5     | 6266H       |     | WASHER .T           |
| 6     | 121748X     |     | WASHER              |
| 7     | 19272016    |     | WASHER              |
| 8     | 12000029    |     | RING                |
| 9     | 3366R       |     | COL. SRTG. BEAR.    |
| 10    | 130468      |     | SUB= 532130468      |
| 11    | 10040600    |     | LOCKWASHER          |
| 12    | 73610600    |     | SUB= 7810H          |
| 13    | 110438X     |     | BEARING             |
| 14    | 74011056    |     | BOLT HEX 5/8-11     |
| 15    | 73901000    |     | "NUT-LOC,FLANGE LT" |
| 16    | 132624      |     | AXLE PIN            |
| 17    | 140176      |     | SHAFT ASM STEERIN   |
| 18    | 57079       |     | THRUST WASHER       |
| 19    | 124035X     |     | SUPPORT.SHAFT       |
| 20    | 126684X     |     | SUB= 532126684      |
| 21    | 10040400    |     | LOCKWASHER          |
| 22    | 71070410    |     | "SCREW,SPECIAL"     |
| 23    | 127501      |     | SUB= 918127501      |
| 24    | 109816X     |     | NYLINER T           |
| 25    | 124036X     |     | "BRKT,STEERING"     |
| 27    | 136874      |     | GEAR SECTOR         |
| 26    | 126847X     |     | BUSHING.DRAGLINK    |
| 28    | 19131416    |     | WASHER              |
| 29    | 17490612    |     | SCREW               |
| 30    | 76020412    |     | COTTER PIN          |
| 32    | 130465      |     | TIE ROD             |
| 36    | 102803X     |     | SUB= 918102803X     |
| 37    | 17431008    |     | SUB= 98000165       |
| 38    | 133742      |     | ST WHL INSERT CAP   |
| 39    | 19133808    |     | WASHER T            |
| 40    | 7810H       |     | GRIPCO NUT          |
| 41    | 104820X     |     | ADAPTER-WHEEL LT    |
| 42    | 140216      |     | BOOT SHAFT STEER    |
| 43    | 121749X     |     | WASHER              |
| 44    | 140171      |     | SHAFT EXT STEER     |
| 46    | 121232X     |     | CAP                 |
| 47    | 6855M       |     | ZERK M              |
| 50    | 17490412    |     | SCREW HEX CRT       |
| 51    | 73800500    |     | NUT                 |
| 54    | 74780520    |     | BOLT                |
| 55    | 140285      |     | CLIP TINNERMAN      |
| 57    | 140172      |     | SUPPORT SHAFT STR   |

### 14 HP 42" TRACTOR -- MODEL NUMBER CP14542A DANA TRANSAXLE - MODEL NUMBER 4360-81



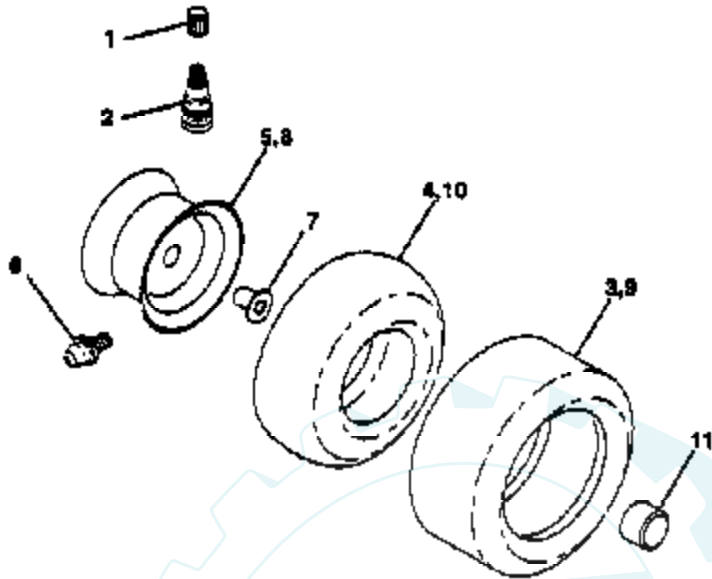
| Ref # | Part Number | Qty | Description         |
|-------|-------------|-----|---------------------|
| 1     | 142671      |     | HOUSING UPPER TRN   |
| 2     | 2274J       |     | SUB= 74760412       |
| 3     | 134400      |     | SUB= 68003          |
| 4     | 105904X     |     | "SPRING, DETENT LT" |
| 5     | 105905X     |     | "SCREW, SET LT"     |
| 6     | 134788      |     | SHIFTER.ASM.KIT.    |
| 7     | 134399      |     | SHIFTER BOOT        |
| 8     | 120951X     |     | PUCK T              |
| 9     | 134791      |     | SCREW TAP W/SEAL    |
| 10    | 142672      |     | SUB= 2225J          |
| 11    | 134793      |     | ASM KIT SHIM 4689   |
| 12    | 142679      |     | GEAR SPUR 15 TTH    |
| 13    | 120415X     |     | WASHER T            |
| 14    | 142674      |     | KEY WOODRUFF-DANA   |
| 15    | 106846X     |     | SUB= 167148         |
| 16    | 106095X     |     | SUB= 95-8060-6F     |
| 17    | 105909X     |     | "RING,RETAINING LT" |
| 18    | 105910X     |     | "CHAIN,24 PTCH LT"  |
| 19    | 105911X     |     | BEARING.FLNG.5510   |
| 20    | 142675      |     | GEAR SPUR 14 TTH    |
| 21    | 138246      |     | COLLAR CLUTCH       |
| 22    | 138237      |     | KIT.ASM.CLUTCH KY   |
| 23    | 143051      |     | SUB= 148268         |
| 24    | 142676      |     | SHAFT INTERM DANA   |
| 25    | 2244J       |     | WOODRUFF KEY        |
| 26    | 105916X     |     | "RING,RETAINING LT" |
| 27    | 120470X     |     | SPROCKET 18T T      |
| 28    | 110070X     |     | SPACER YT           |
| 29    | 142677      |     | GEAR SPUR 37 TTH    |
| 30    | 142681      |     | GEAR SPUR 35 TTH    |
| 31    | 120405X     |     | SUB= 124644X        |
| 32    | 108980X     |     | GEAR 25T LT         |
| 33    | 120406X     |     | GEAR SPUR 22 TT     |
| 34    | 134796      |     | SPUR GEAR 19T       |
| 35    | 105925X     |     | "WASHER, PLAIN LT"  |
| 36    | 2232J       |     | WASHER 025          |
| 37    | 108978X     |     | SPACER              |
| 38    | 110079X     |     | ASSM GEAR COMB      |
| 39    | 124639X     |     | SHAFT IDLER         |
| 40    | 120472X     |     | SPACER T            |
| 41    | 105928X     |     | SPROCKET 9T LT      |
| 42    | 106605X     |     | SUB= 167148         |
| 43    | 134394      |     | ASM KIT SHIM        |
| 44    | 120473X     |     | SHAFT T             |
| 45    | 106596X     |     | "SCREW, TAPPING LT" |
| 46    | 142678      |     | GEAR SPUR 12 TTH    |
| 47    | 120407X     |     | SUB= 124641X        |
| 48    | 106589X     |     | "GEAR, SPUR 25T LT" |
| 49    | 120408X     |     | GEAR 28T T          |
| 50    | 105937X     |     | "GEAR, SPUR 31T LT" |
| 51    | 2226J       |     | WASHER 060          |
| 52    | 134401      |     | NEOPRENE WASHER     |
| 53    | 2264J       |     | WASHER 031          |
| 54    | 120474X     |     | SUB= 154658         |
| 55    | 120409X     |     | GEAR LT             |
| 56    | 105941X     |     | "RING,RETAINING LT" |
| 57    | 110071X     |     | SUB= 120478X        |
| 58    | 120952X     |     | SHAFT T             |

| Ref # | Part Number | Qty | Description         |
|-------|-------------|-----|---------------------|
| 59    | 106592X     |     | "GEAR,MITER 15T YT" |
| 60    | 120475X     |     | SUB= 154659         |
| 61    | 142680      |     | HOUSING LOWER TNS   |
| 62    | 120961X     |     | PUCK T              |
| 63    | 7294J       |     | BRAKE DISC. T       |
| 64    | 108989X     |     | SPACER LT           |
| 65    | 120953X     |     | SUB= 918120953X     |
| 66    | 120954X     |     | PIN T               |
| 67    | 134799      |     | TAP SCREW           |
| 68    | 138244      |     | SUB= 108992X        |
| 69    | 108996X     |     | WASHER LT           |
| 70    | 120956X     |     | NLA                 |
| 71    | 73810500    |     | NUT.LOCK.5/16-24    |
| 72    | 143045      |     | SEAL OIL DANA5416   |
| 73    | 120416X     |     | SUB= 126976X        |



## 14 HP 42" TRACTOR - - MODEL NUMBER CP14542A

### WHEELS AND TIRES



**NOTE:** All component dimensions given in U.S. inches  
1 Inch = 25.4 mm



| Ref # | Part Number | Qty | Description       |
|-------|-------------|-----|-------------------|
| 1     | 59192       |     | VALVE CAP         |
| 2     | 65139       |     | VALVE STEM LT     |
| 3     | 106222X     |     | SUB= 122073X      |
| 4     | 59904       |     | TUBE.5.3/4.5/6    |
| 5     | 106732X417  |     | "RIM,FRT T"       |
| 6     | 278H        |     | FITTING LT        |
| 7     | 9040H       |     | "FLANGE, BEARING" |
| 8     | 106108X417  |     | "RIM 8""          |
| 9     | 138468      |     | TIRE.20X8-8       |
| 10    | 7152J       |     | TUBE.18X9.5-8     |
| 11    | 104757X     |     | HUB CAP           |

