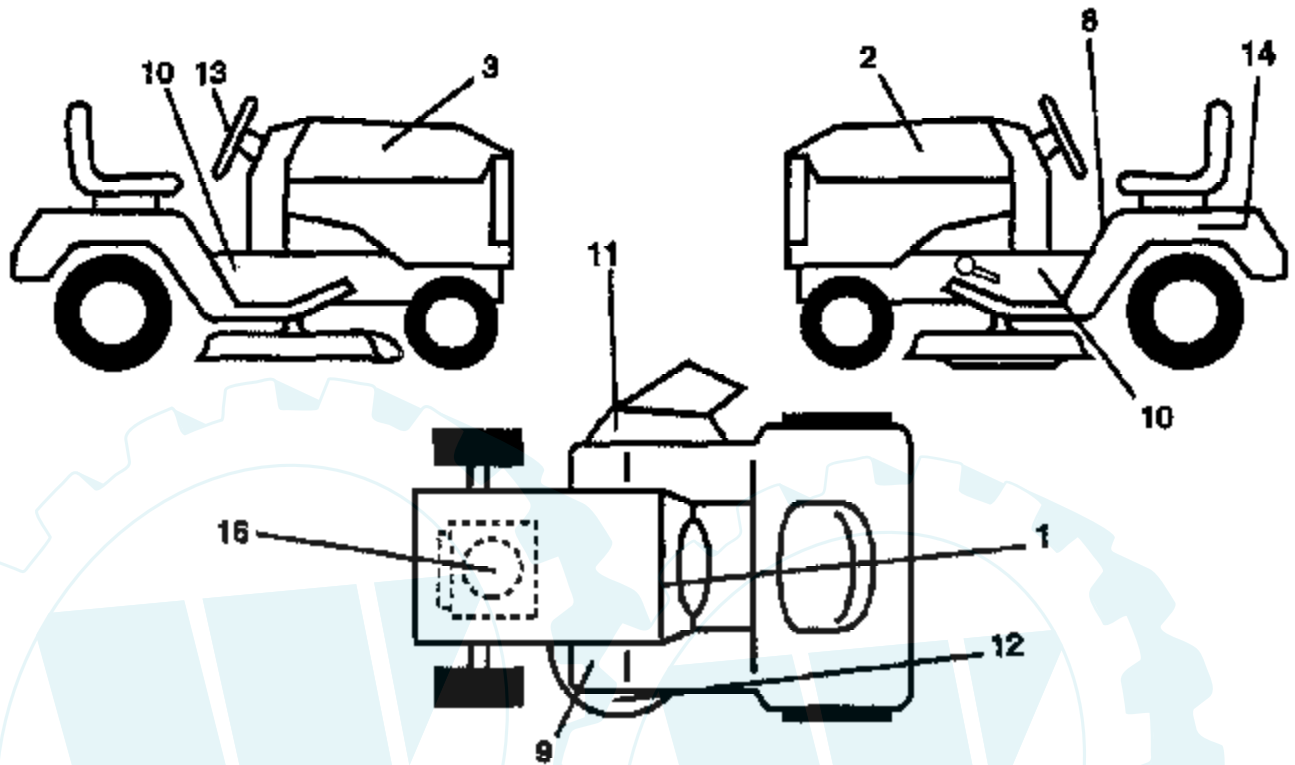


12.5 HP 42" TRACTOR - - MODEL NUMBER CT12542A

DECALS



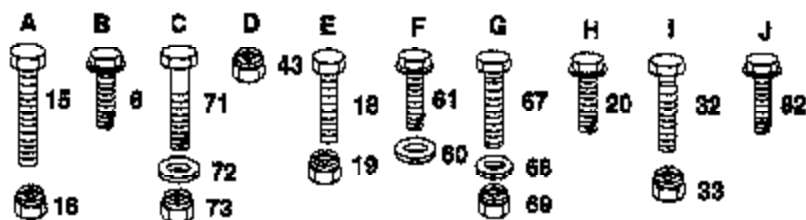
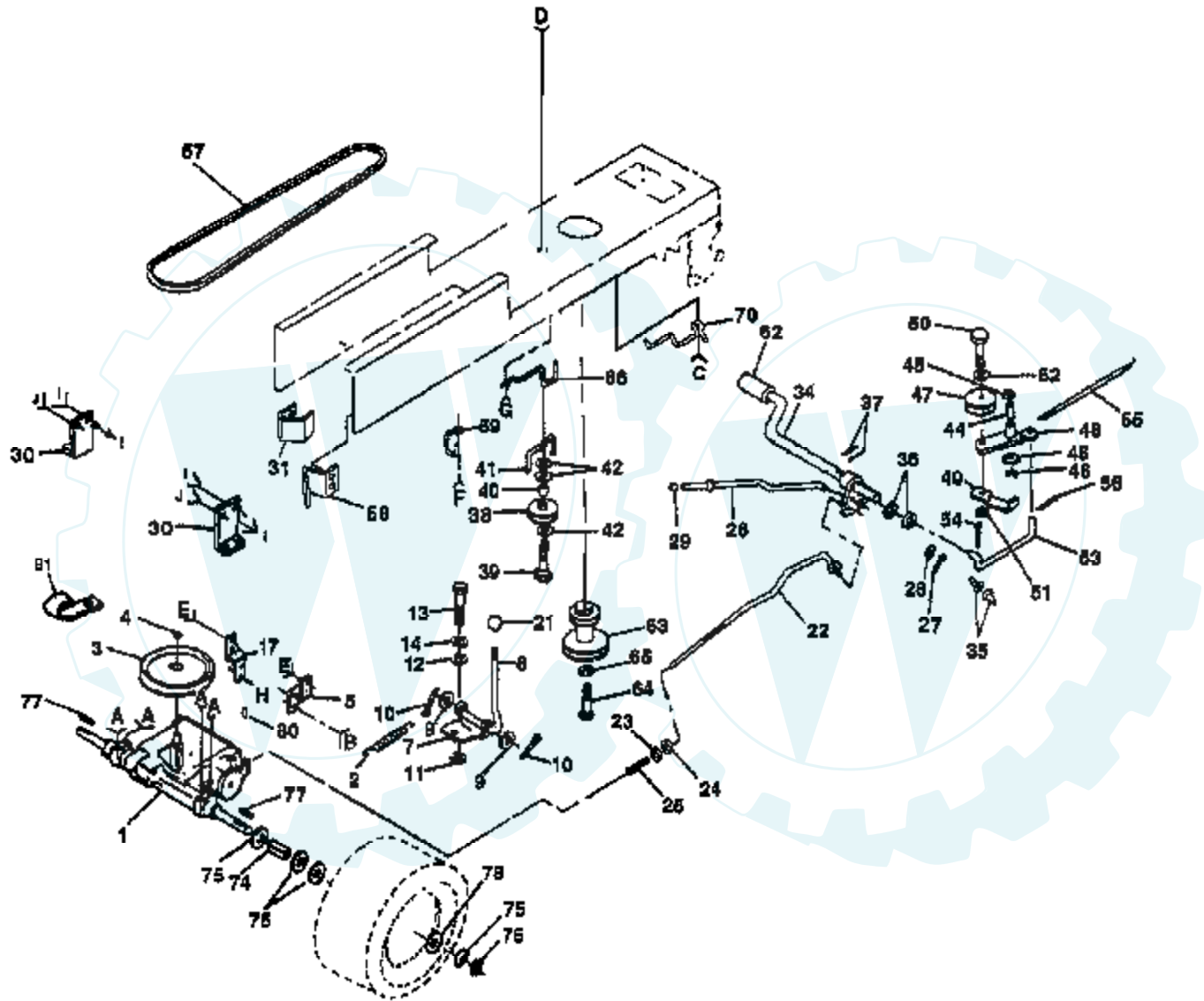
NOTE: All component dimensions given in U. S. inches.
1 inch = 25.4 mm

Ref #	Part Number	Qty	Description
1	108456X		SUB= 138955
2	135593		DECAL HOOD LH
3	135592		DECAL HOOD RH
8	133796		DECAL
9	4900J		DECAL T
10	131425		CHASSIS DECAL
11	121343X		DECAL WARING
12	3713J		DECAL INSTRUCTION CAUTION
13	135594		NLA
14	121549X		DECAL
16	129057		SUB= 532129057
	135540		"MANUAL,PARTS"
	132704		MANUAL, OPERATOR'S



12.5 HP 42" TRACTOR -- MODEL NUMBER CP12542A

DRIVE











Ref #	Part Number	Qty	Description
1	10040400		LOCKWASHER
2	11050600		LOCKWASHER
3	132637X417		"PANEL,SIDE LH"
4	125581X015		DASH PLATE
5	124252X		SUB= 140398
6	132177		LOWER DASH
7	73510400		NUT
8	106965X		SUB= 140181
9	124130X		SUPPORT ASSY
10	5479J		PLUG BUTTON T
12	106784X		SUB= 155013
13	104618X		SUB= 155013
14	132635X510		HOOD
15	124392X417		SUB= 147717
16	106395X		LENS LT
18	131716		SUB= 532131716
19	105419X417		"STRAP,GRILL"
22	132636X417		"PANEL,SIDE RH"
23	132069		SUB= 532132069
24	105464X417		SUB= 145243X417
25	135034		SUB= 145501
26	130805		SUB= 145009
27	132178		DASH PANEL LH
28	105465X417		SUB= 145244X417
30	131343X021		SADDLE
31	19091216		WASHER PM
37	109872X510		FENDER
40	73220400		SUB= 50675
41	74760612		SUB= 74780612
42	19131312		WASHER
43	73680600		SUB= 73690600
45	17211010		SCREW LT
46	104755X		""J"" FASTENER LT"
47	17490612		SCREW
48	17490512		SCREW
49	123481X		SUB= 7605J
50	73680400		SUB= 73690400
51	74760620		SUB= 74780620
53	17490608		SCREW LT
56	74760512		BOLT
57	73510500		NUT
58	109873X		SUB= 136619
59	74180512		SCREW
60	17490412		SCREW HEX CRT
65	72110606		BOLT
66	133671		FOOTREST PAD
67	74191008		SCREW
68	10071000		LOCKWASHER
69	2029J		WELDNUT
70	109808X		HOOD LATCH T
71	74981020		SCREW
72	7206J		SPACER LT
73	73731000		NUT
77	19070818		WASHER
79	2751R		CLIP T
84	19111116		WASHER
87	19131210		WASHER
95	123198X		SUB= 146525

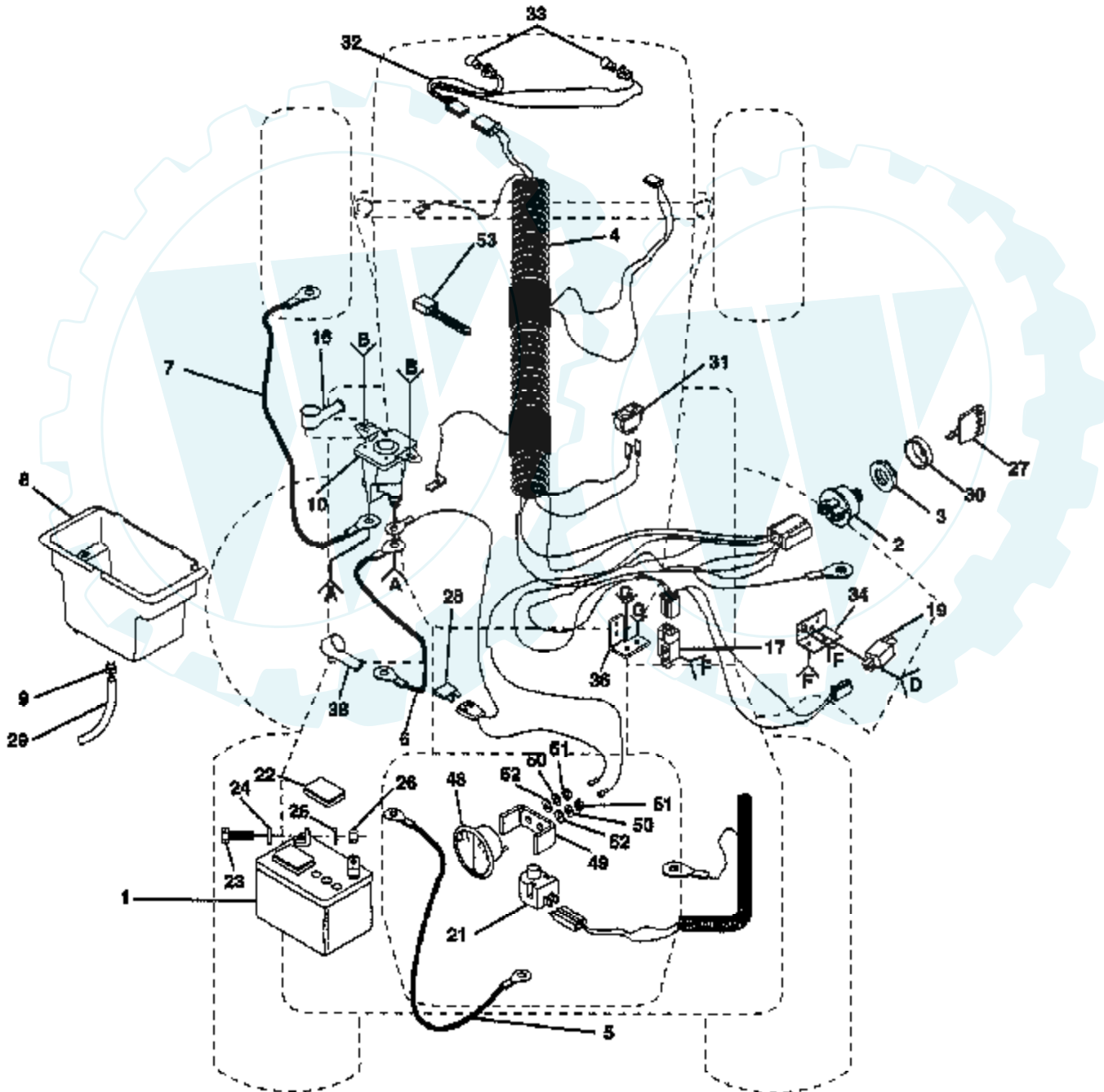
Ref #	Part Number	Qty	Description
104	19091016		WASHER
105	132644		SUB= 532132644
107	134774		PIVOT BRKT LH
108	134775		PIVOT BRKT RH
109	72110606		BOLT
110	133685		BAFFLE HOOD VERT
111	105037X		FOAM-STRIP LT
112	121279X		SUB= 532121279



12.5 HP 42" TRACTOR - - MODEL NUMBER CP12542A

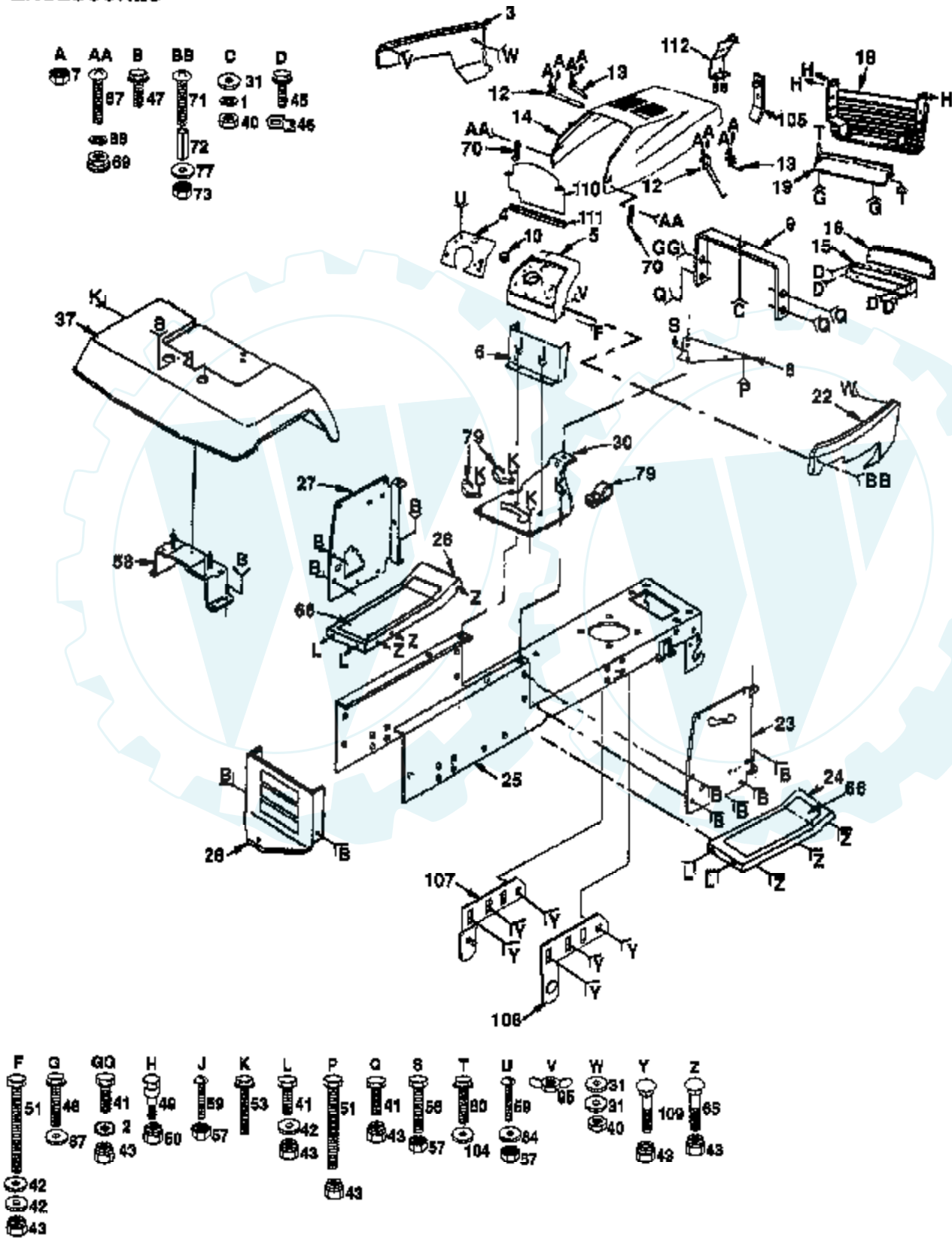
ELECTRICAL

- | | | | | |
|--|--|--|--|--|
| A | B | D | F | G |
|  11 |  13 |  20 |  35 |  37 |
|  12 | | | | |
| |  14 | | | |
| |  15 | | | |



12.5 HP 42" TRACTOR - - MODEL NUMBER CP12542A

ENCLOSURES



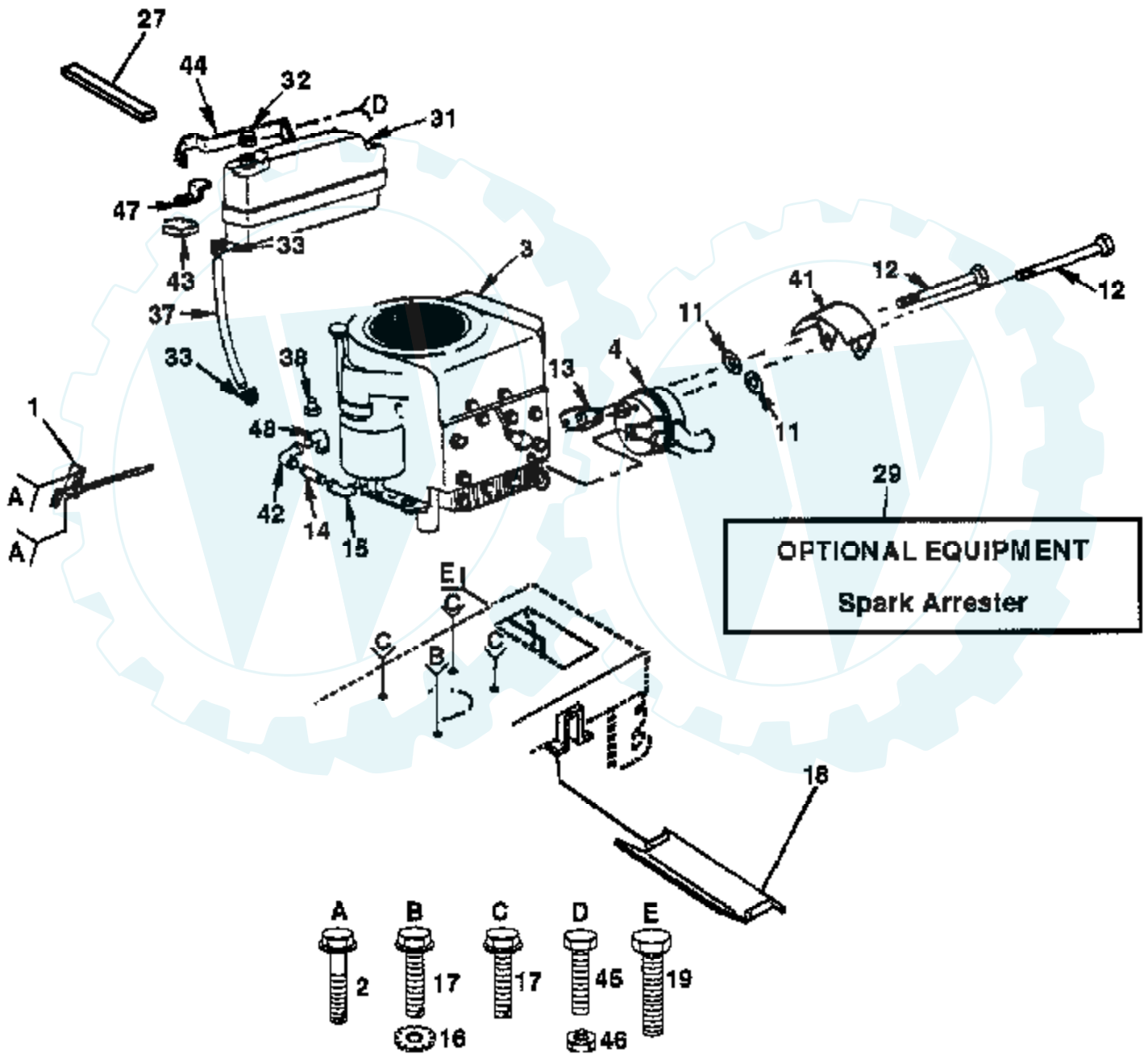
Ref #	Part Number	Qty	Description
1	10040400		LOCKWASHER
2	11050600		LOCKWASHER
3	132637X417		"PANEL,SIDE LH"
4	125581X015		DASH PLATE
5	124252X		SUB= 140398
6	132177		LOWER DASH
7	73510400		NUT
8	106965X		SUB= 140181
9	124130X		SUPPORT ASSY
10	5479J		PLUG BUTTON T
12	106784X		SUB= 155013
13	104618X		SUB= 155013
14	132635X510		HOOD
15	124392X417		SUB= 147717
16	106395X		LENS LT
18	131716		SUB= 532131716
19	105419X417		"STRAP,GRILL"
22	132636X417		"PANEL,SIDE RH"
23	132069		SUB= 532132069
24	105464X417		SUB= 145243X417
25	135034		SUB= 145501
26	130805		SUB= 145009
27	132178		DASH PANEL LH
28	105465X417		SUB= 145244X417
30	131343X021		SADDLE
31	19091216		WASHER PM
37	109872X510		FENDER
40	73220400		SUB= 50675
41	74760612		SUB= 74780612
42	19131312		WASHER
43	73680600		SUB= 73690600
45	17211010		SCREW LT
46	104755X		""J"" FASTENER LT"
47	17490612		SCREW
48	17490512		SCREW
49	123481X		SUB= 7605J
50	73680400		SUB= 73690400
51	74760620		SUB= 74780620
53	17490608		SCREW LT
56	74760512		BOLT
57	73510500		NUT
58	109873X		SUB= 136619
59	74180512		SCREW
60	17490412		SCREW HEX CRT
65	72110606		BOLT
66	133671		FOOTREST PAD
67	74191008		SCREW
68	10071000		LOCKWASHER
69	2029J		WELDNUT
70	109808X		HOOD LATCH T
71	74981020		SCREW
72	7206J		SPACER LT
73	73731000		NUT
77	19070818		WASHER
79	2751R		CLIP T
84	19111116		WASHER
87	19131210		WASHER
95	123198X		SUB= 146525

Ref #	Part Number	Qty	Description
104	19091016		WASHER
105	132644		SUB= 532132644
107	134774		PIVOT BRKT LH
108	134775		PIVOT BRKT RH
109	72110606		BOLT
110	133685		BAFFLE HOOD VERT
111	105037X		FOAM-STRIP LT
112	121279X		SUB= 532121279



12.5 HP 42" TRACTOR - - MODEL NUMBER CP12542A

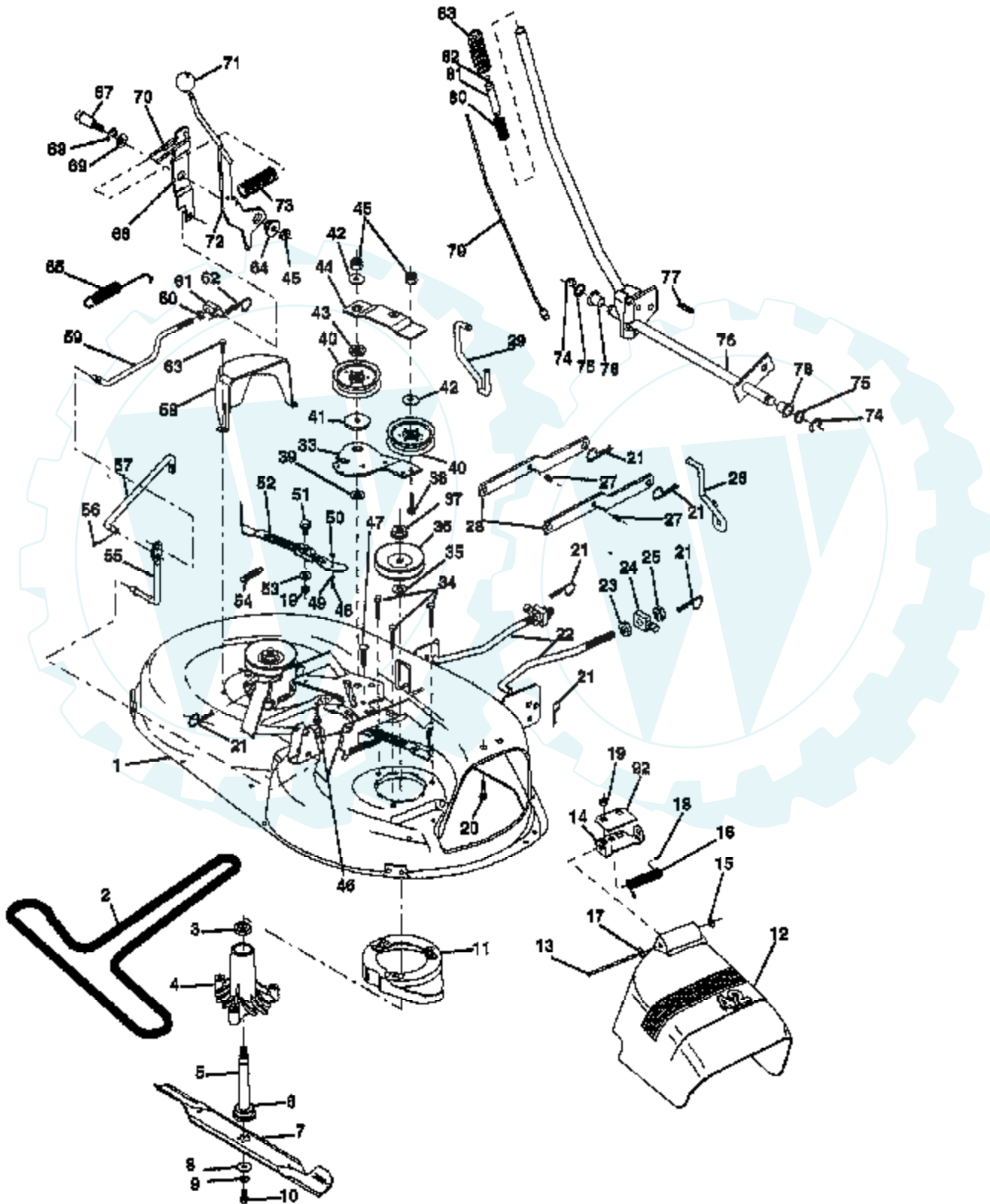
ENGINE



Ref #	Part Number	Qty	Description
1	132754X		SUB= 532132754
2	17720410		SCREW LT
3			REFER TO IMAGE
4	121304X		MUFFLER
11	19151616		SUB= 19171616
13	125593X		SUB= 272293
14	13280328		PIPE NIPPLE
15	13310300		STREET ELBOW LT
16	11050600		LOCKWASHER
17	17490620		SCREW
18	128953		HEAT SHIELD
19	17021008		SCREW
12	121744X		BOLT
27	104915X		SUB= 105037X
29	121851X		SUB= 532137180
31	121280X		FUEL TANK
32	8504J		SUB= 9188504J
33	123487X		HOSE CLAMP
37	7833R		HOSE T
38			REFER TO IMAGE
41	121742X		HEAT SHIELD
42	13240300		STREET ELBOW LT
43	6431J		PAD-SPACER T
44	121281X		SUPT TANK FUEL
45	74780512		BOLT
46	73680500		SUB= 73690500
47	104799X		BRACE-TANK LT
48	13200300		ELBOW

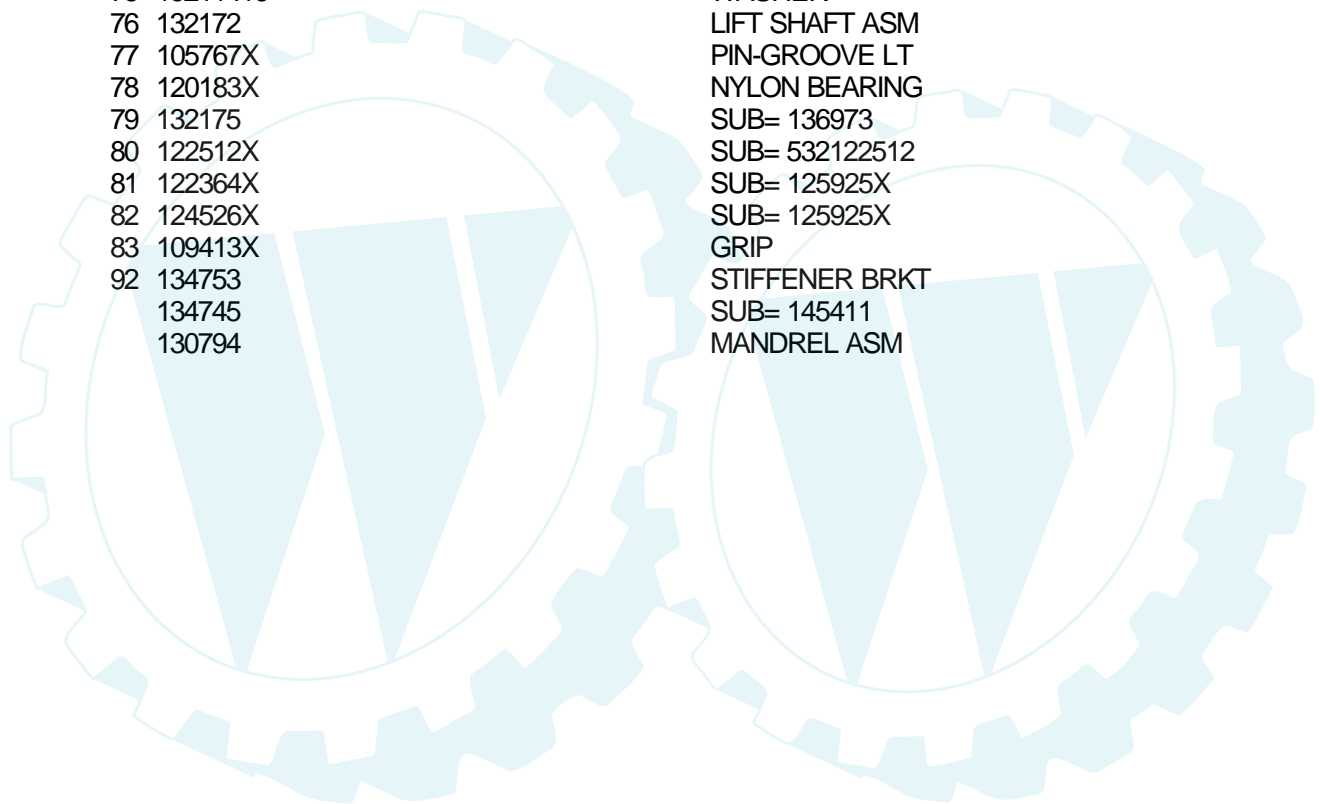
12.5 HP 42" TRACTOR - - MODEL NUMBER CP12542A

42" MOWER



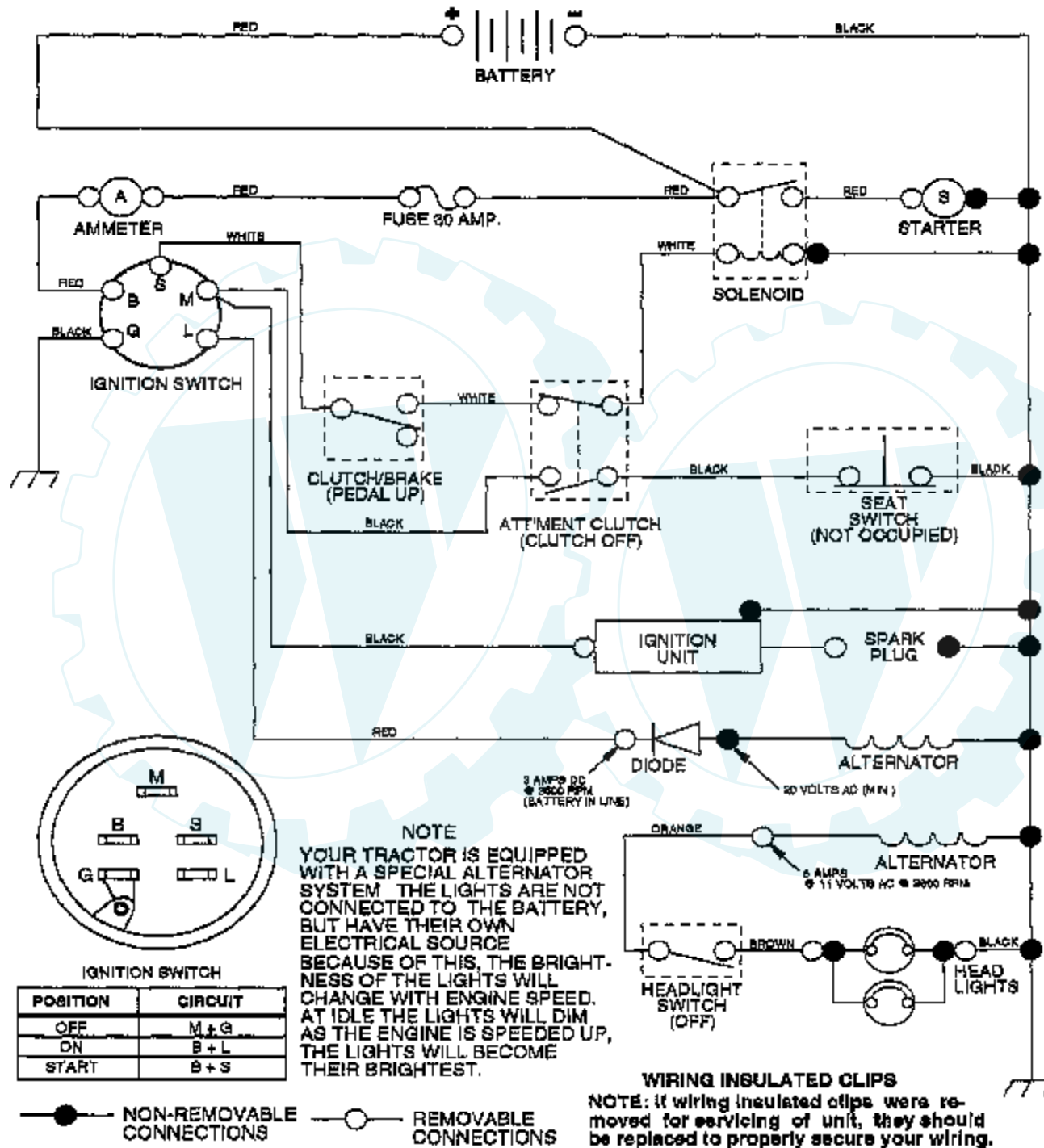
Ref #	Part Number	Qty	Description
1	130970		SUB= 145338
2	130969		BELT-V.92.4.MWR
3	110485X		BEARING
4	128774		HSG ASM MANDREL
5	133172		SUB= 137646
6	129895		BEARING.BALL
7	127843		SUB= 138498
8	129962		WASHER BLADE
9	10030600		SUB= 10040600
10	850857		BLADE BOLT
11	128961		SUB= 140329
12	130968		DEFLECTOR.SHIELD
13	131491		HINGE ROD
14	131267		DEFLECTOR BRKT
15	110452X		NUT PUSH M
16	123713X		SPRING TORSION
17	19111016		WASHER
18	105304X		CAP-SLEEVE LT
19	73680500		SUB= 73690500
20	72140506		BOLT
21	4939M		SUB= 85902
22	127218		LINK.FRONT
23	73350800		NUT
24	130171		TRUNION
25	73800800		NUT.LK.W/WSH.1/2.
26	135388		LIFT LINK RH
27	135563		"PIN,SPRING"
28	130832		SUB= 130833
29	134619		LINK LIFT LH
33	133844		IDLER ARM
34	78158		SUB= 17580520
35	129963		WASHER
36	129861		SUB= 153535
37	73050900		SUB= 139729
38	72110614		BOLT
39	133943		HARDENED WASHER
40	131494		FLAT IDLER PULLEY
41	122052X		SPACER RETAINER
42	19131612		WASHER GT
43	133502		RETAINER SPACER
44	133503		IDLER ARM STIFF
45	73680600		SUB= 73690600
46	72110618		BOLT CARRIAGE
47	133835		XMAS TREE FASTNER
48	131340		SHOULDER BOLT
49	133940		SUB= 151785
50	69180		LOCKNUT
51	105529X		SUB= 139888
52	131845		BRAKE PAD ARM ASM
53	133944		HARD SMALL WASHER
54	131335		SPRING EXTENSION
55	133551		PIVOT ROD
56	76020312		SUB= 3145
57	133504		CLUTCH ROD SECOND
58	131857		SUB= 140088
59	133550		SUB= 142427
60	73350600		NUT
61	133205		TRUNION

Ref #	Part Number	Qty	Description
62	4497H		RETAINER M
63	17720410		SCREW LT
64	127498		BUSHING
65	131870		RETURN SPRING
66	127847		CLUTCH ARM SECOND
67	128903		SHOULDER BOLT
68	12000029		RING
69	121748X		WASHER
70	127845		SPRING KEEPER
71	132044		SUB= 532132044
72	131813		SUB= 532131813
73	128759		SUB= 918128759
74	12000002		SUB= 2225J
75	19211416		WASHER
76	132172		LIFT SHAFT ASM
77	105767X		PIN-GROOVE LT
78	120183X		NYLON BEARING
79	132175		SUB= 136973
80	122512X		SUB= 532122512
81	122364X		SUB= 125925X
82	124526X		SUB= 125925X
83	109413X		GRIP
92	134753		STIFFENER BRKT
	134745		SUB= 145411
	130794		MANDREL ASM



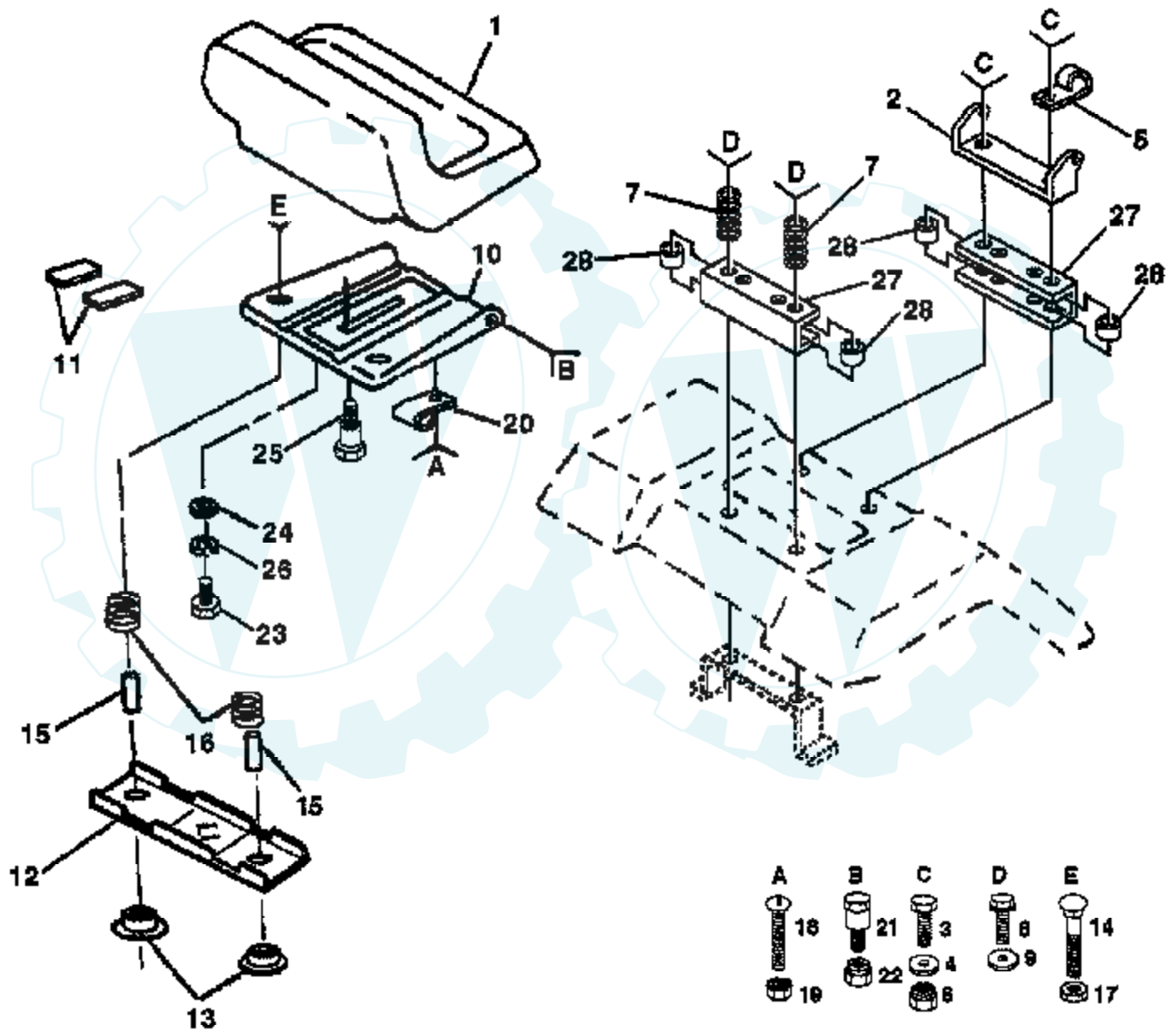
12.5 HP 42" TRACTOR - - MODEL NUMBER CP12542A

SCHEMATIC



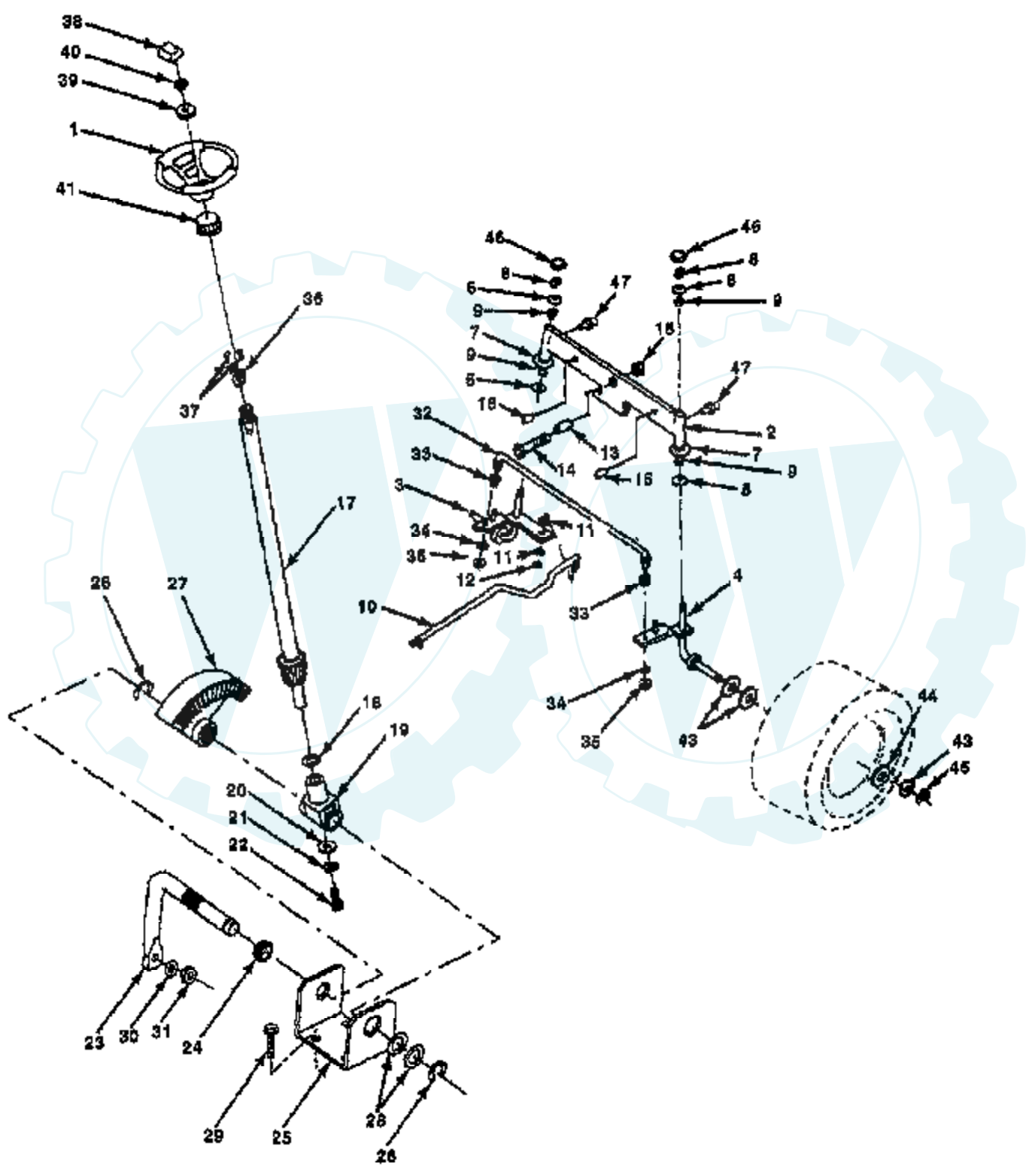
12.5 HP 42" TRACTOR - - MODEL NUMBER CP12542A

SEAT ASSEMBLY



Ref #	Part Number	Qty	Description
1	127424X		SUB= 140121
2	126656X		SUB= 140551
3	74760640		BOLT
4	19131210		WASHER
5	2751R		CLIP T
6	73680600		SUB= 73690600
7	124181X		SPRING COMPRESSIO
8	17490640		SCREW
9	19131614		WASHER
10	131451		SUB= 155925
11	121251X		STRIP FORM
12	121246X		BRKT SWITCH
13	121248X		BUSHING
14	72050411		SUB= 872050411
15	121249X		SPACER SPLIT
16	121250X		SPRING
17	123976X		SUB= 73900400
18	74641008		SUB= 71031008
19	73951000		"NUT,KEPS"
20	4171R		CLIP T
21	105529X		SUB= 139888
22	73680500		SUB= 73690500
23	74780816		BOLT
24	19171912		WASHER
25	127018X		"BOLT,SHOULDER"
26	10040800		LOCKWASHER
27	131772		SEAT SPACER
28	131771		SPLIT SPACER

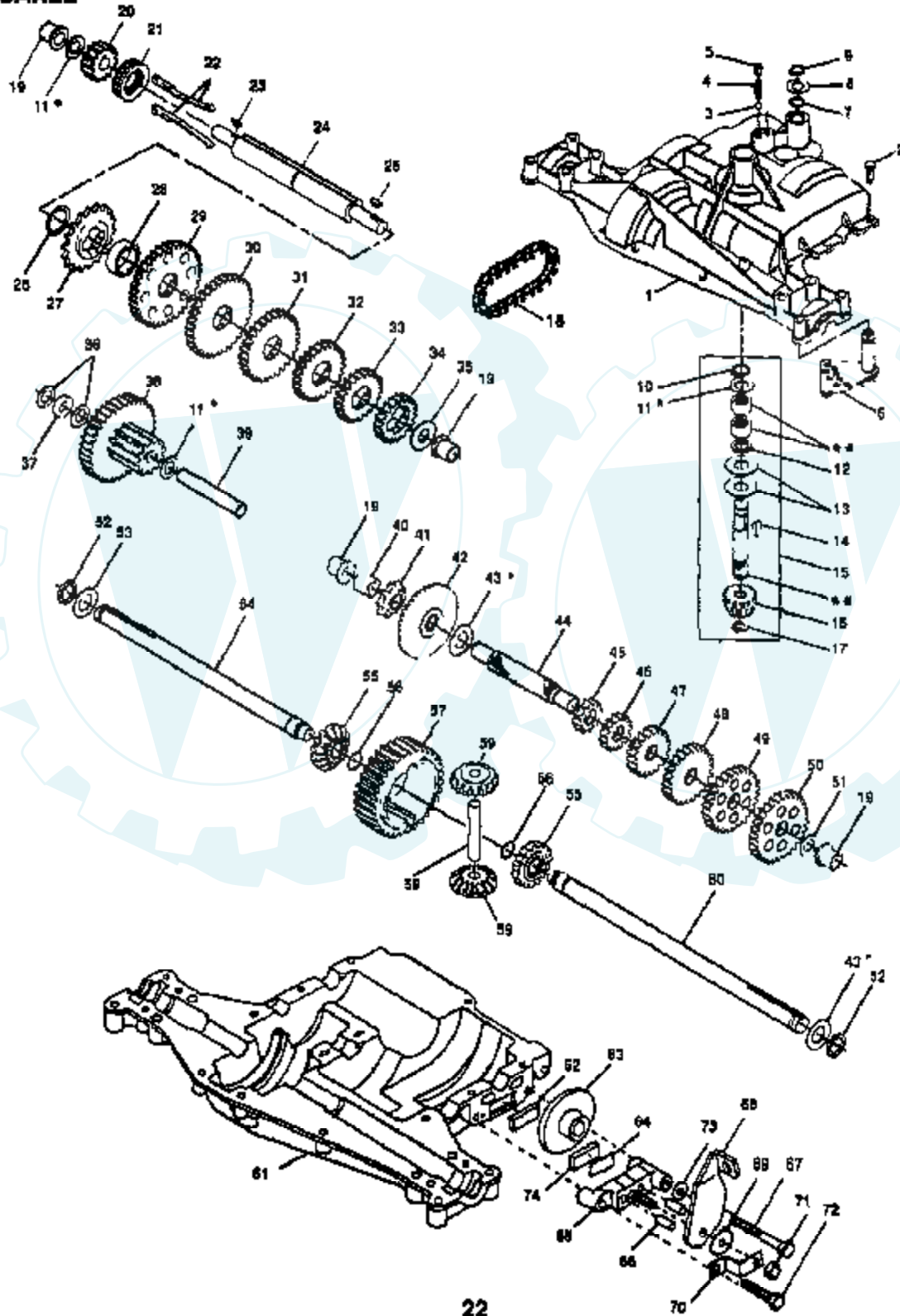
12.5 HP 42" TRACTOR - - MODEL NUMBER CP12542A STEERING AND FRONT AXLE



Ref #	Part Number	Qty	Description
1	133741		SUB= 150547
2	133988		SUB= 142033
3	135227		SPINDLE LH
4	135228		SPINDLE RH
5	6266H		WASHER .T
6	121748X		WASHER
7	19272016		WASHER
8	12000029		RING
9	3366R		COL. SRTG. BEAR.
10	130468		SUB= 532130468
11	10040600		LOCKWASHER
12	73610600		SUB= 7810H
13	110438X		BEARING
14	74011056		BOLT HEX 5/8-11
15	73601000		SUB= 73901000
16	132624		AXLE PIN
17	128758		STEERING SHAFT
18	57079		THRUST WASHER
19	124035X		SUPPORT.SHAFT
20	126684X		SUB= 532126684
21	10040400		LOCKWASHER
22	71070410		"SCREW,SPECIAL"
23	127501		SUB= 918127501
24	109816X		NYLINER T
25	124036X		"BRKT,STEERING"
26	12000029		RING
27	124034X		SUB= 136874
28	6266H		WASHER .T
29	17490612		SCREW
30	10040600		LOCKWASHER
31	73610600		SUB= 7810H
32	130465		TIE ROD
33	126847X		BUSHING.DRAGLINK
34	19131416		WASHER
35	76020412		COTTER PIN
36	1554J		SUB= 155108
37	17431008		SUB= 98000165
38	133742		ST WHL INSERT CAP
39	100712K		WASHER
40	73940800		SUB= 73360800
41	100711L		ADAPTER LT
43	121749X		WASHER
44	121748X		WASHER
45	12000029		RING
46	121232X		CAP
47	6855M		ZERK M

**12.5 HP 42" TRACTOR - - MODEL NUMBER CP12542A
TRANSAXLE DANA - MODEL NUMBER 4360-7**

TRANSAXLE

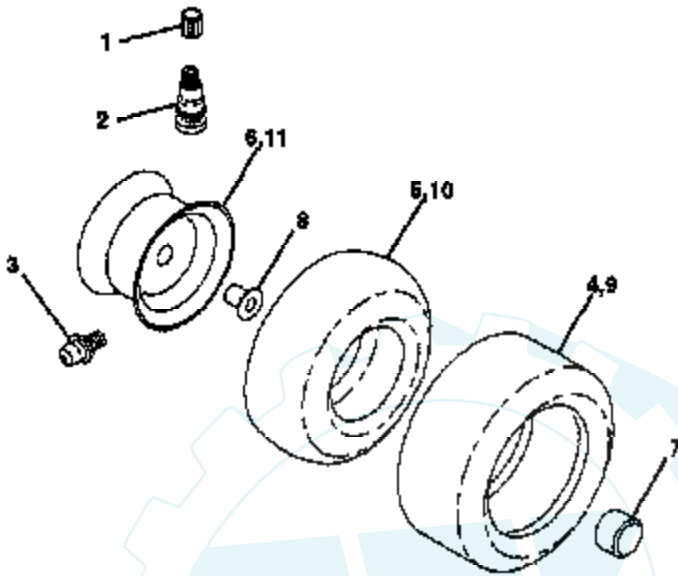


Ref #	Part Number	Qty	Description
1	3865		HOUSING UPPER
2	1919		SCREW
3	1151		BALL DETENT
4	3626		SPRING, DETENT
5	3623		SCREW, SET
6	4336		ASSY SHIFTER
7	3884		O-RING
8	3885		WASHER PLAIN
	3886		WASHER PLAIN
	3887		WASHER PLAIN
	3888		WASHER PLAIN
	3889		WASHER PLAIN
	3121		WASHER PLAIN
	3890		WASHER PLAIN
9	1100		RING RETAINING
10	1099		RING RETAINING
11	1959		WASHER PLAIN
	1441		WASHER PLAIN
	1423		WASHER, PLAIN .632 X 1.00 X .026
	1082		WASHER PLAIN
	1424		WASHER PLAIN
	1068		WASHER PLAIN
	1425		WASHER PLAIN
	1358		WASHER PLAIN
	1145		WASHER, PLAIN .632 X 1.00 X .060
	1319		WASHER PLAIN
12	3312		O-RING
13	3876		WASHER, PLAIN .632 X 1.38 X .046
14	1374		KEY WOODRUFF #9
15	4134		ASSY KIT INPUT SHAFT
16	3590		PINION, BEVEL, 14 TEETH
17	3624		RING, RETAINING
18	3625		CHAIN, 24 PITCHES
19	1542		BEARING, FLANGE
20	3773		GEAR SPUR, 14 TEETH
21	3631		COLLAR CLUTCH
22	3828		KEY CLUTCH
23	1369		KEY WOODRUFF #3
24	3883		SHAFT INTERMEDIATE
25	1375		KEY, WOODRUFF, #61
26	3627		RING, RETAINING
27	3830		SPROCKET, 18 TEETH
28	3841		SPACER
29	3786		GEAR, SPUR, 37 TEETH
30	3785		GEAR, SPUR, 35 TEETH
31	3867		GEAR, SPUR, 30 TEETH
32	3783		GEAR, SPUR, 25 TEETH
33	3869		GEAR, SPUR, 22 TEETH
34	3741		GEAR SPUR
35	3628		WASHER, PLAIN .640 X 1.37 X .061
36	1423		WASHER, PLAIN .632 X 1.00 X .026
37	3422		SPACER .630 X 1.00 X .169
38	4286		ASSY GEAR COMB 12&35 TEETH
39	3877		SHAFT IDLER
40	3901		SPACER .635 X .875 X .755
41	3645		SPROCKET, 9 TEETH
42	3853		GEAR BEVEL 42 TEETH
43	3749		WASHER PLAIN

Ref #	Part Number	Qty	Description
	3652		WASHER PLAIN
	3693		WASHER PLAIN
	3653		WASHER PLAIN
	3408		WASHER PLAIN
	3732		WASHER PLAIN
	3184		WASHER, PLAIN .758 X 1.25 X .031
	3733		WASHER PLAIN
	3198		WASHER PLAIN
	3734		WASHER PLAIN
	3735		WASHER PLAIN
	3736		WASHER PLAIN
	3180		WASHER PLAIN
44	3882		SHAFT, DRIVE
45	3646		GEAR, SPUR, 12 TEETH
46	3707		GEAR SPUR, 15 TEETH
47	3866		GEAR, SPUR, 20 TEETH
48	3719		GEAR, SPUR, 25 TEETH
49	3868		GEAR, SPUR, 28 TEETH
50	3683		GEAR, SPUR, 31 TEETH
51	1145		WASHER, PLAIN .632 X 1.00 X .060
52	3191		SEAL FELT
53	3180		WASHER PLAIN
54	3880		AXLE LEFT HAND
55	3780		GEAR, MITER, 15 TEETH
56	3656		RING, RETAINING
57	3839		GEAR, SPUR, 32 TEETH
58	3919		SHAFT, CROSS
59	3781		GEAR, MITER, 15 TEETH
60	3881		AXLE, R.H.
61	3864		HOUSING LOWER
62	3920		PUCK, FRICTION
63	3276		DISC, BRAKE
64	3758		SPACER
65	3916		JAW, BRAKE
66	3843		PIN, DOWEL
67	3915		SCREW TAPPING
68	3768		LEVER, ACTUATING
69	3760		WASHER, PLAIN .321 X 1.00 X .055
70	3917		BRACKET, ANTI-ROTATION
71	3847		LOCKNUT 5/16-24
72	3724		SCREW TAPPING
73	3906		WASHER PLAIN
74	3907		PUCK, FRICTION
75	4300		GREASE

12.5 HP 42" TRACTOR - - MODEL NUMBER CT12542A

WHEELS & TIRES



NOTE: All component dimensions given in U. S. inches.
1 inch = 25.4 mm

Ref #	Part Number	Qty	Description
1	59192		VALVE CAP
2	65139		VALVE STEM LT
3	278H		FITTING LT
4	124635X		SUB= 126957X
5	59904		TUBE.5.3/4.5/6
6	106732X361		SUB= 106732X417
7	104757X		HUB CAP
8	9040H		"FLANGE, BEARING"
9	106222X		SUB= 122073X
10	7152J		TUBE.18X9.5-8
11	106108X361		SUB= 106108X417

