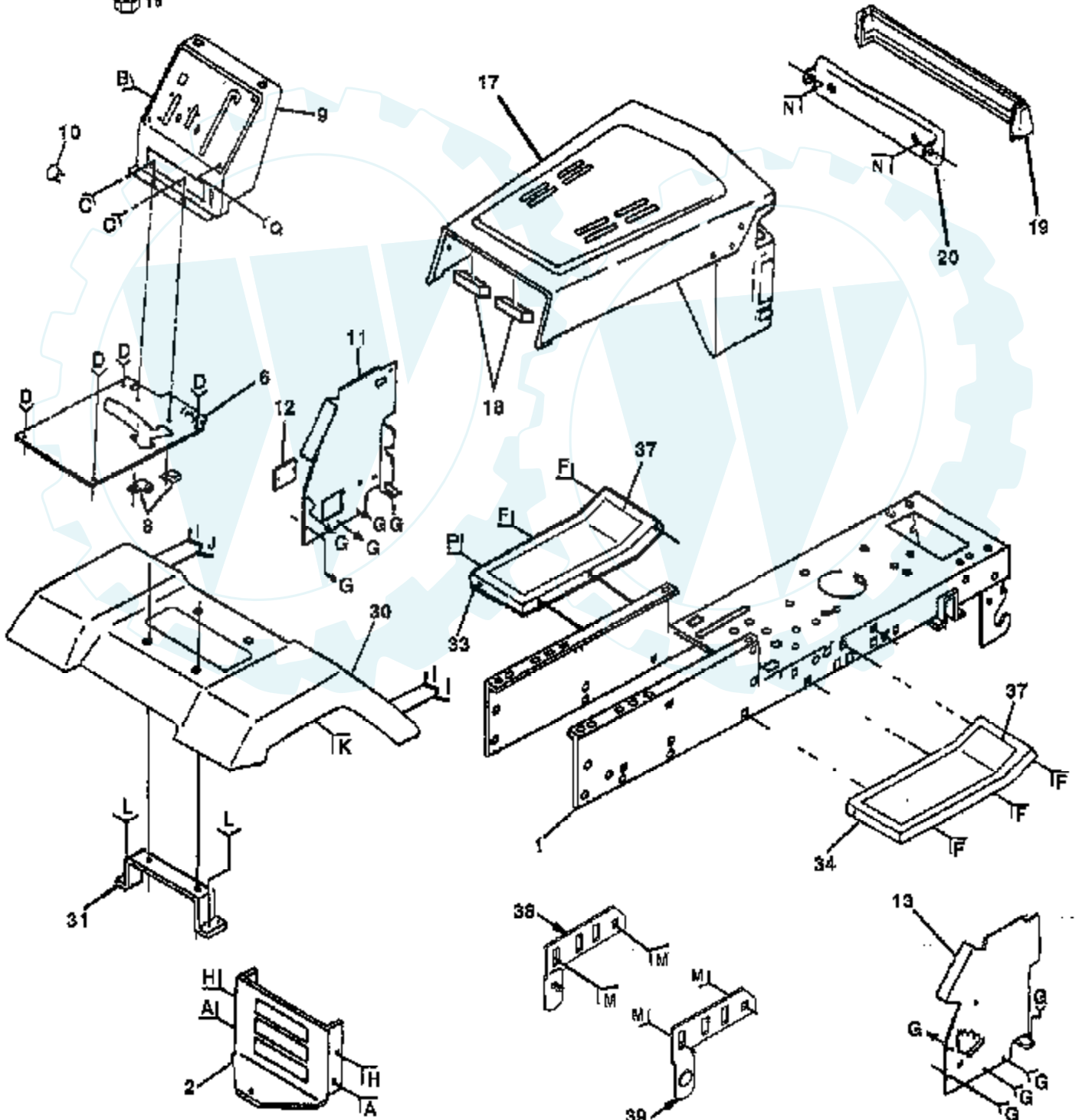
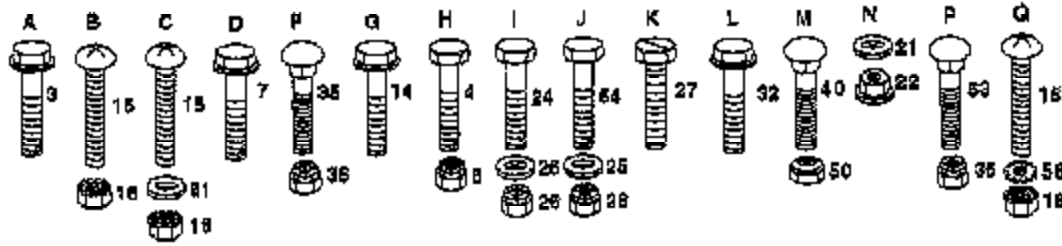


## 12 HP 38" TRACTOR -- MODEL NO. CP1238A

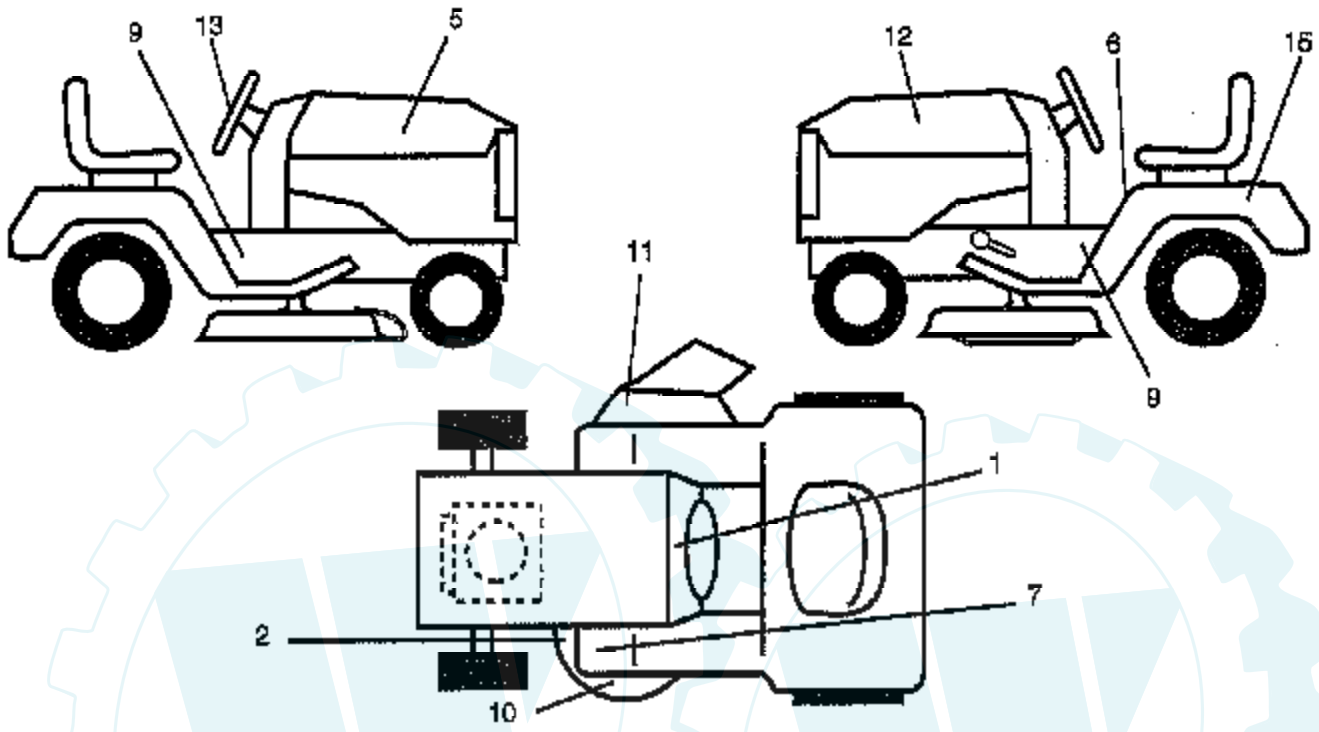
### CHASSIS



| Ref # | Part Number | Qty | Description       |
|-------|-------------|-----|-------------------|
| 1     | 135034      |     | SUB= 145501       |
| 2     | 137275      |     | SUB= 145009       |
| 3     | 17490612    |     | SCREW             |
| 4     | 74760612    |     | SUB= 74780612     |
| 5     | 73680600    |     | SUB= 73690600     |
| 6     | 124464X017  |     | SADDLE            |
| 7     | 17490608    |     | SCREW LT          |
| 8     | 2751R       |     | CLIP T            |
| 9     | 137411X012  |     | DASH              |
| 10    | 5479J       |     | PLUG BUTTON T     |
| 11    | 122795X     |     | PANEL DASH LH     |
| 12    | 121794X     |     | COVER ACCESS      |
| 13    | 124031X     |     | SUB= 155934X010   |
| 14    | 17490608    |     | SCREW LT          |
| 15    | 74180512    |     | SCREW             |
| 16    | 73510500    |     | NUT               |
| 17    | 133956X510  |     | HOOD/GRILL.ASM    |
| 18    | 126938X     |     | SUB= 532126938    |
| 19    | 133954      |     | LENS SERVICE KIT  |
| 20    | 132257      |     | SUB= 918132257    |
| 21    | 19091216    |     | WASHER PM         |
| 22    | 108067X     |     | PAL NUT LT        |
| 24    | 74760612    |     | SUB= 74780612     |
| 25    | 19131312    |     | WASHER            |
| 26    | 73680600    |     | SUB= 73690600     |
| 27    | 17490608    |     | SCREW LT          |
| 30    | 109872X417  |     | SUB= 157584X417   |
| 31    | 136619      |     | BRKT FENDER       |
| 32    | 17490612    |     | SCREW             |
| 33    | 105465X417  |     | SUB= 145244X417   |
| 34    | 105464X417  |     | SUB= 145243X417   |
| 35    | 72110606    |     | BOLT              |
| 36    | 73680600    |     | SUB= 73690600     |
| 37    | 133671      |     | FOOTREST PAD      |
| 38    | 134618      |     | BRKT ASM PIVOT LH |
| 39    | 134617      |     | BRKT ASM PIVOT RH |
| 40    | 72140608    |     | SUB= 72110608     |
| 50    | 73800600    |     | NUT               |
| 51    | 19131216    |     | WASHER            |
| 53    | 72140608    |     | SUB= 72110608     |
| 54    | 74760614    |     | SUB= 74760616     |
| 58    | 11050600    |     | LOCKWASHER        |

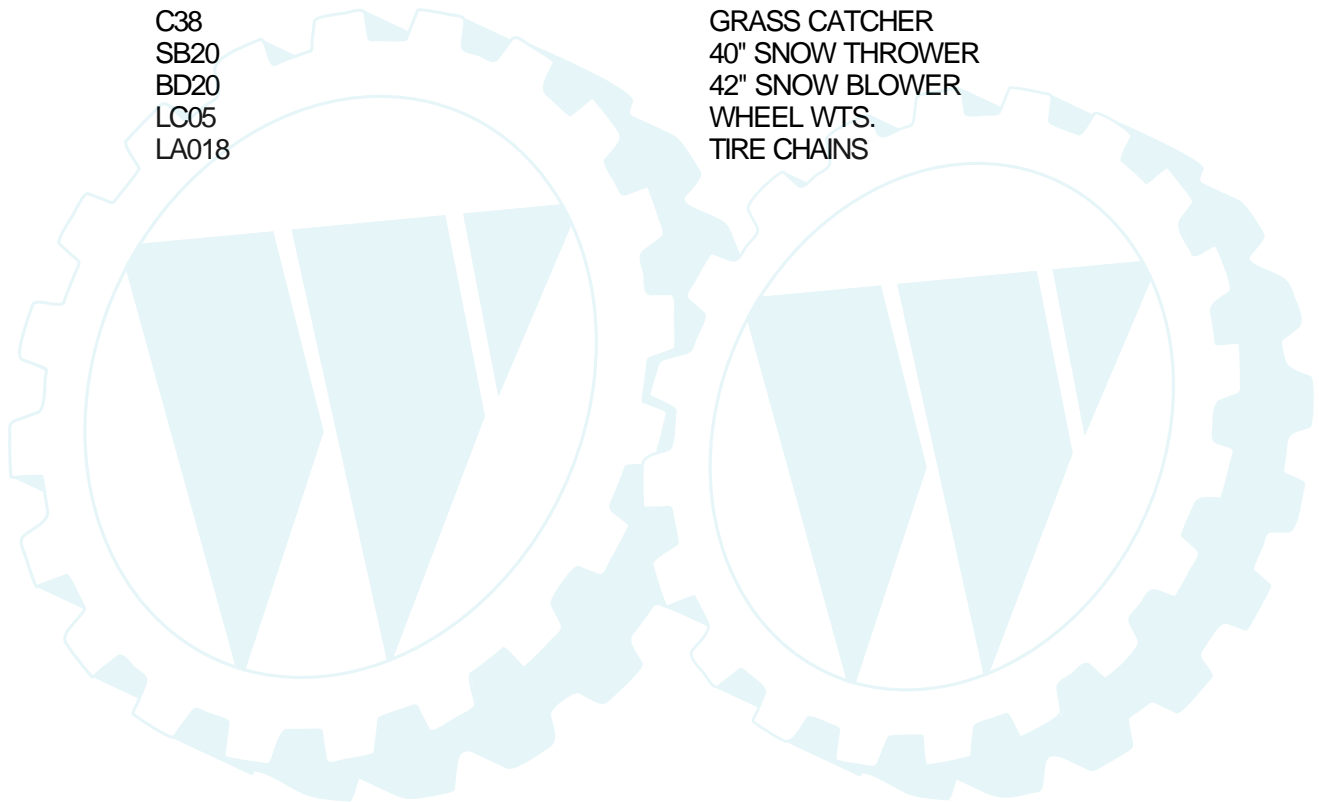
## 12 HP 38" TRACTOR - - MODEL NUMBER CP1238A

### DECALS



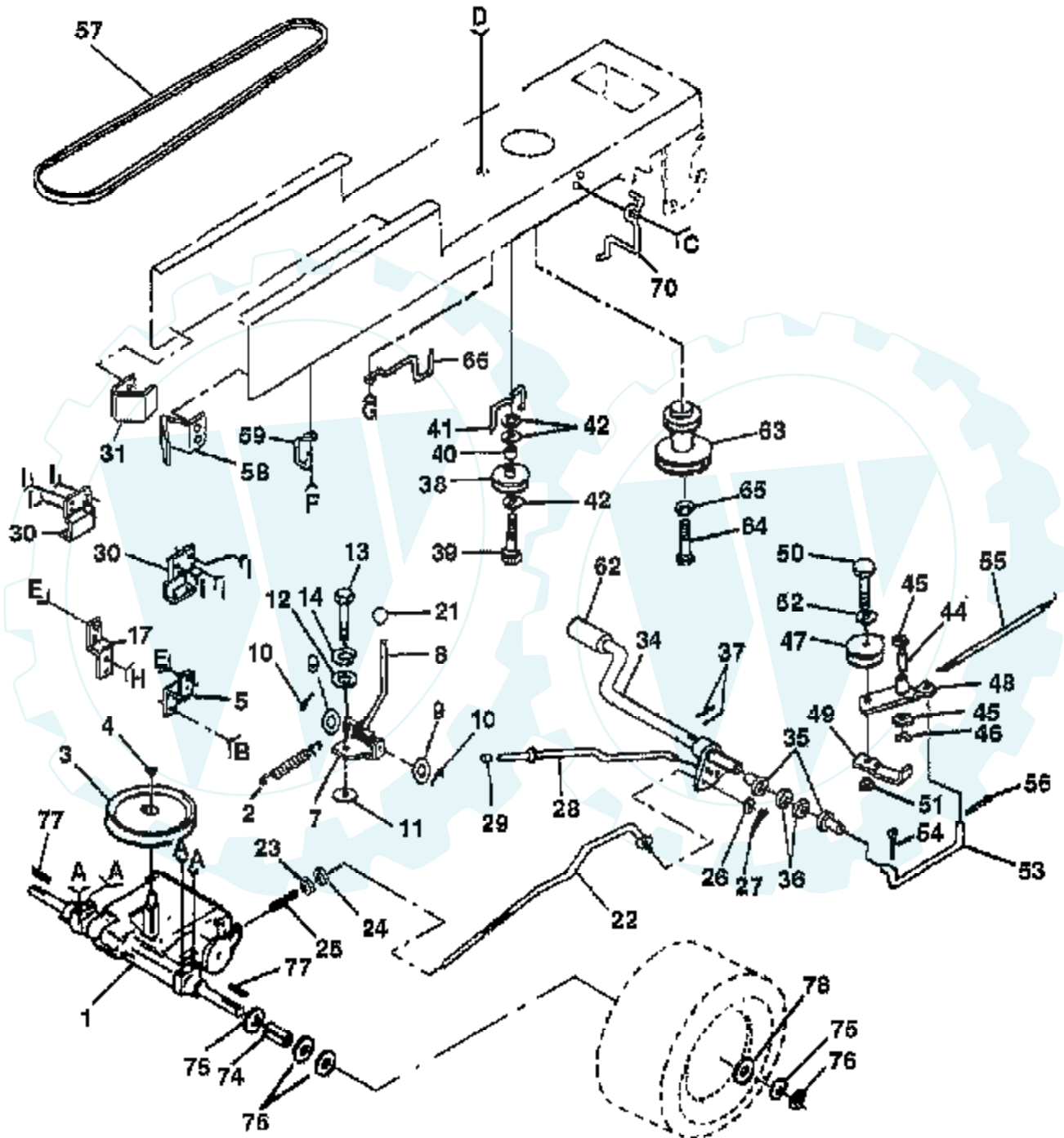
**NOTE:** All component dimensions given in U.S. inches -  
1 inch = 25.4 mm.

| Ref # | Part Number | Qty | Description              |
|-------|-------------|-----|--------------------------|
| 1     | 138956      |     | DECAL.DASH.INSTR.        |
| 2     | 136832      |     | DECAL                    |
| 5     | 140098      |     | DECAL.HOOD.RH            |
| 6     | 133795      |     | DECAL CAUTION            |
| 7     | 101892X     |     | DECAL T                  |
| 9     | 127900      |     | DECAL CHASSIS SPEED DECK |
| 10    | 135013      |     | NLA                      |
| 11    | 137259      |     | "DECAL, WARNING"         |
| 12    | 140099      |     | DECAL.HOOD.LH            |
| 13    | 135594      |     | NLA                      |
| 15    | 121549X     |     | DECAL                    |
|       | 138311      |     | DECAL HANDLE LIFT        |
|       | 137372      |     | MANUAL                   |
|       | 140184      |     | NLA                      |
|       | C38         |     | GRASS CATCHER            |
|       | SB20        |     | 40" SNOW THROWER         |
|       | BD20        |     | 42" SNOW BLOWER          |
|       | LC05        |     | WHEEL WTS.               |
|       | LA018       |     | TIRE CHAINS              |



### 12 HP 38" TRACTOR -- MODEL NO. CP1238A

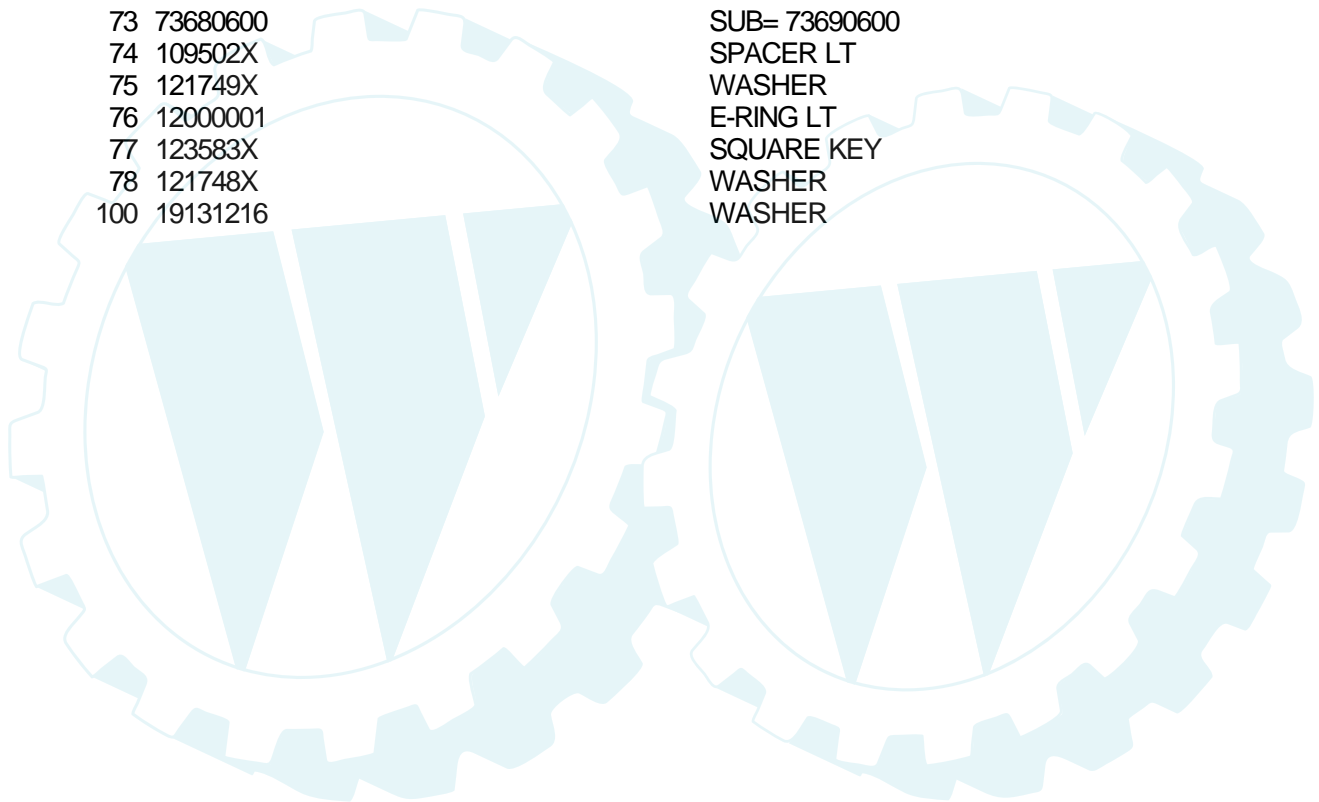
#### DRIVE



- | A   | B | C  | D  | E  | F  | G  | H  | I  |
|-----|---|----|----|----|----|----|----|----|
| 15  | 6 | 71 | 43 | 18 | 61 | 67 | 20 | 32 |
| 100 |   | 72 |    | 18 | 60 | 68 |    | 33 |
| 18  |   | 73 |    |    |    | 69 |    |    |

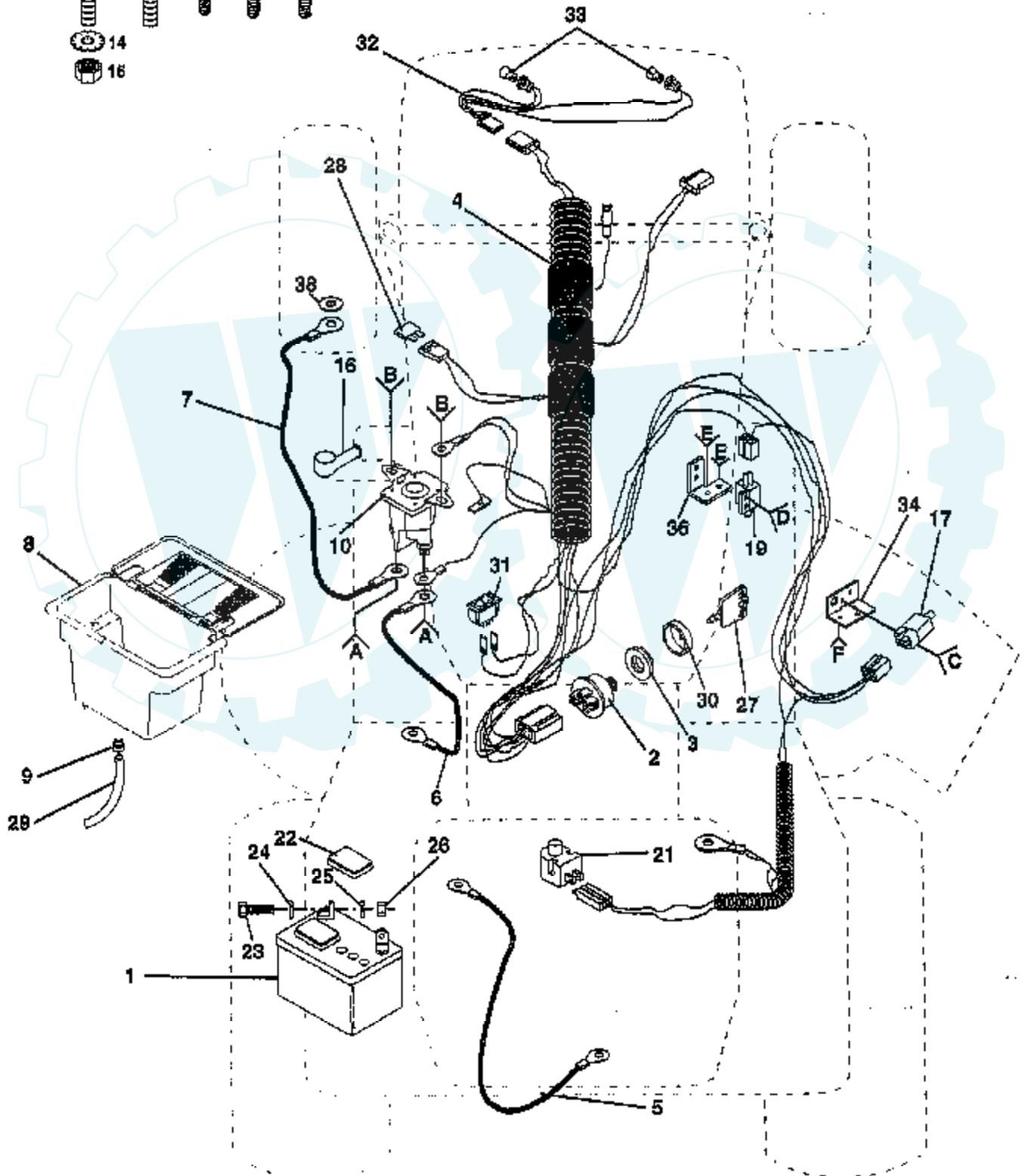
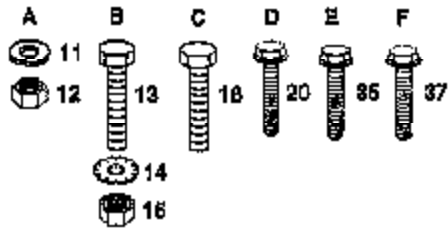
| Ref # | Part Number | Qty | Description         |
|-------|-------------|-----|---------------------|
| 1     | 137362      |     | SUB= 160851         |
| 2     | 110422X     |     | SUB= 146682         |
| 3     | 123666X     |     | PULLEY TRANS        |
| 4     | 12000028    |     | SUB= 2267J          |
| 5     | 121520X     |     | STRAP TORQUE        |
| 6     | 17490512    |     | SCREW               |
| 7     | 106919X     |     | PLATE SHIFT LT      |
| 8     | 124461X     |     | ROD SHIFTER         |
| 9     | 19151216    |     | WASHER              |
| 10    | 76020416    |     | PIN COTTER 1/8      |
| 11    | 105701X     |     | WASH-SHFT PLT LT    |
| 12    | 19091210    |     | WASHER LT           |
| 13    | 71040412    |     | SUB= 74550412       |
| 14    | 10040400    |     | LOCKWASHER          |
| 15    | 74760644    |     | BOLT                |
| 16    | 73680600    |     | SUB= 73690600       |
| 17    | 121520X     |     | STRAP TORQUE        |
| 18    | 74760612    |     | SUB= 74780612       |
| 19    | 73680600    |     | SUB= 73690600       |
| 20    | 17490512    |     | SCREW               |
| 21    | 106933X     |     | KNOB T (1/2-HOLE)   |
| 22    | 131867      |     | BRAKE ROD           |
| 23    | 73800600    |     | NUT                 |
| 24    | 73350600    |     | NUT                 |
| 25    | 106888X     |     | SPRING ROD LT       |
| 26    | 19131316    |     | WASHER              |
| 27    | 76020412    |     | COTTER PIN          |
| 28    | 128904      |     | PARKING BRAKE ROD   |
| 29    | 71673       |     | PLUNGER CAP T       |
| 30    | 109167X     |     | BRACKET LT          |
| 31    | 127275X     |     | "KEEPER,BELT LH T"  |
| 32    | 74760616    |     | BOLT                |
| 33    | 73680600    |     | SUB= 73690600       |
| 34    | 122424X     |     | SUB= 149001         |
| 35    | 120183X     |     | NYLON BEARING       |
| 36    | 19211616    |     | WASHER LT           |
| 37    | 1572H       |     | SUB= 2882J          |
| 38    | 123674X     |     | PULLEY.IDLER.FLAT   |
| 39    | 74760644    |     | BOLT                |
| 40    | 4470J       |     | SPACER T            |
| 41    | 109070X     |     | BELT KEEPER LT      |
| 42    | 19131312    |     | WASHER              |
| 43    | 73680600    |     | SUB= 73690600       |
| 44    | 105706X     |     | "LY, BEARING"       |
| 45    | 110812X     |     | WASHER LT           |
| 46    | 12000039    |     | KLIP RING           |
| 47    | 127783      |     | SUB= 139245         |
| 48    | 123789X     |     | ARM IDLER           |
| 49    | 123205X     |     | RETAIN BELT         |
| 50    | 74760624    |     | SUB= 74930624       |
| 51    | 73680600    |     | SUB= 73690600       |
| 52    | 19131316    |     | WASHER              |
| 53    | 105710X     |     | "LINK, CLUTCH T"    |
| 54    | 76020412    |     | COTTER PIN          |
| 55    | 105709X     |     | "SPRING, RETURN LT" |
| 56    | 76020412    |     | COTTER PIN          |
| 57    | 125907X     |     | BELT-V 90.0 GD DR   |
| 58    | 127274X     |     | "KEEPER,BELT RH T"  |

| Ref # | Part Number | Qty | Description       |
|-------|-------------|-----|-------------------|
| 59    | 136715      |     | SUB= 140312       |
| 60    | 19131312    |     | WASHER            |
| 61    | 17490612    |     | SCREW             |
| 62    | 8883R       |     | PEDAL COVER T     |
| 63    | 134825      |     | SUB= 136004       |
| 64    | 71170764    |     | BOLT              |
| 65    | 10040700    |     | LOCKWASHER        |
| 66    | 129921      |     | KEEPER.BELT.ENG.L |
| 67    | 74760616    |     | BOLT              |
| 68    | 19131312    |     | WASHER            |
| 69    | 73680600    |     | SUB= 73690600     |
| 70    | 134683      |     | KEEPER BELT ENG   |
| 71    | 74760616    |     | BOLT              |
| 72    | 19132012    |     | WASHER            |
| 73    | 73680600    |     | SUB= 73690600     |
| 74    | 109502X     |     | SPACER LT         |
| 75    | 121749X     |     | WASHER            |
| 76    | 12000001    |     | E-RING LT         |
| 77    | 123583X     |     | SQUARE KEY        |
| 78    | 121748X     |     | WASHER            |
| 100   | 19131216    |     | WASHER            |



# 12 HP 38" TRACTOR -- MODEL NO. CP1238A

## ELECTRICAL

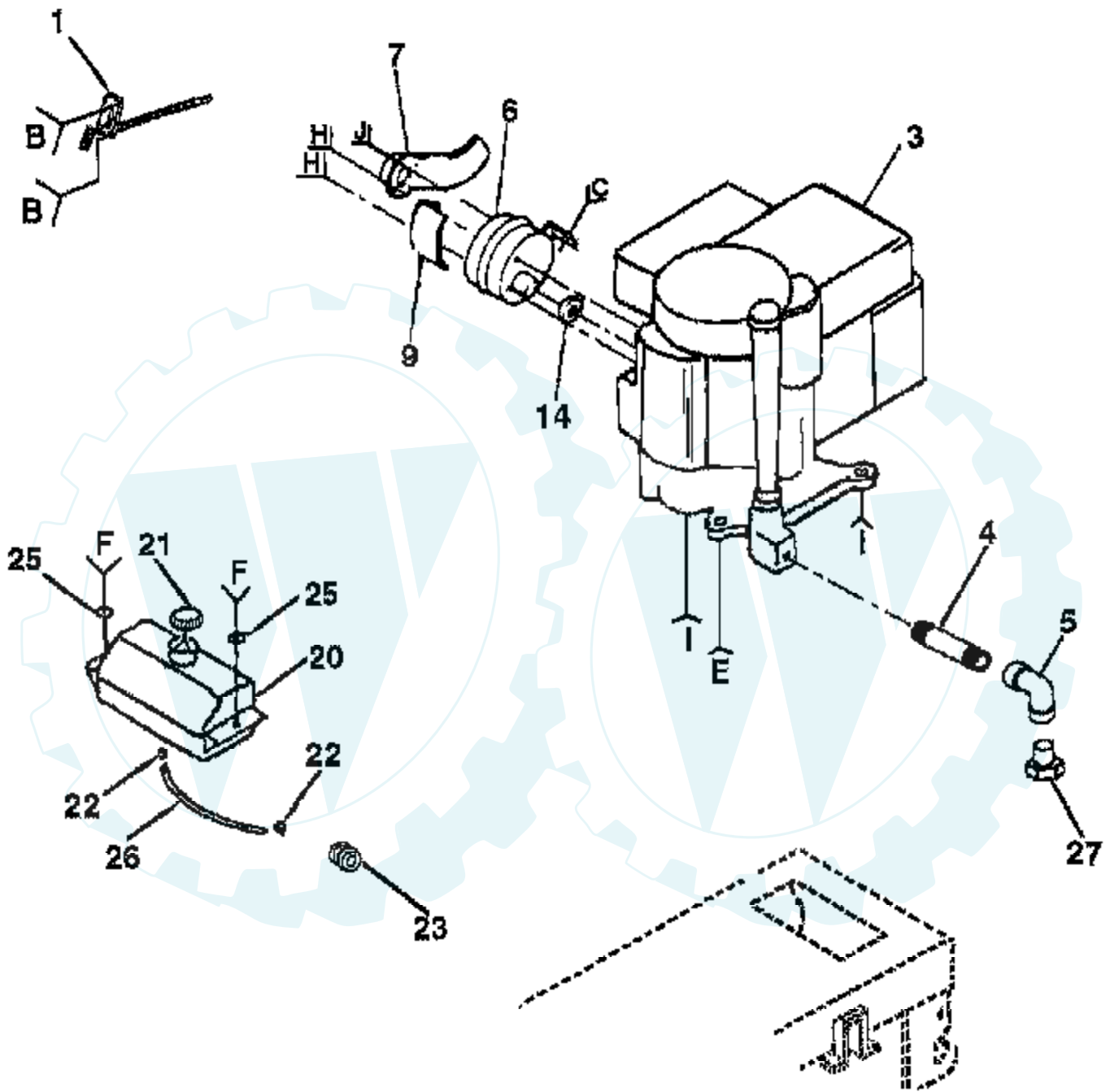




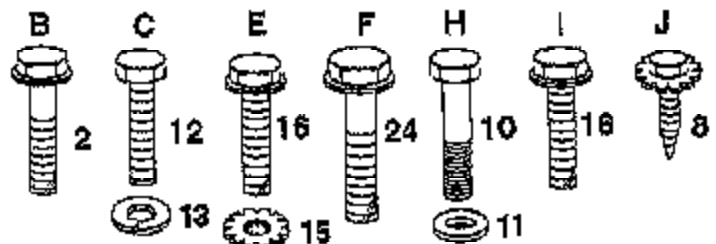
| Ref # | Part Number | Qty | Description         |
|-------|-------------|-----|---------------------|
|       |             |     | REFER TO IMAGE      |
| 1     | 121265X     |     | SUB= 123899X        |
| 2     | 4406R       |     | SUB= STD365402      |
| 3     | 124211X     |     | NUT IGNITION        |
| 4     | 132017      |     | IGN HARNESS         |
| 5     | 4207J       |     | CABLE T             |
| 6     | 132202      |     | SUB= 146147         |
| 7     | 4799J       |     | "CABLE T, BATTERY"  |
| 8     | 129965      |     | SUB= 156417         |
| 9     | 109596X     |     | HOSE CLAMP T        |
| 10    | 138406      |     | SUB= 146154         |
| 11    | 10090400    |     | SUB= 10040400       |
| 12    | 73350400    |     | NUT                 |
| 13    | 74780408    |     | BOLT                |
| 14    | 11050400    |     | LOCKWASHER          |
| 15    | 73510400    |     | NUT                 |
| 16    | 131563      |     | SUB= 154336         |
| 17    | 109553X     |     | SWITCH INTERLOCKT   |
| 18    | 17021008    |     | SCREW               |
| 19    | 104445X     |     | SWITCH-INTER. GT    |
| 20    | 17021008    |     | SCREW               |
| 21    | 121305X     |     | SWITCH SEAT         |
| 22    | 121264X     |     | "CAP,BATTERY "      |
| 23    | 74760412    |     | BOLT LT             |
| 24    | 19091016    |     | WASHER              |
| 25    | 10040400    |     | LOCKWASHER          |
| 26    | 73220400    |     | SUB= 50675          |
| 27    | 7552H       |     | SUB= STD365410      |
| 28    | 108824X     |     | FUSE HYT            |
| 29    | 109238X     |     | TUBE T              |
| 30    | 123620X     |     | SUB= 141226         |
| 31    | 110712X     |     | SWITCH LT           |
| 32    | 136850      |     | "HARNESS,LIGHT SOC" |
| 33    | 4152J       |     | HEADLAMP BULB       |
| 34    | 108236X     |     | BRACKET LT          |
| 35    | 17021008    |     | SCREW               |
| 36    | 130890      |     | SWITCH BRACKET      |
| 37    | 17021008    |     | SCREW               |
| 38    | 11150400    |     | LOCKWASHER          |

### 12 HP 38" TRACTOR -- MODEL NO. CP1238A

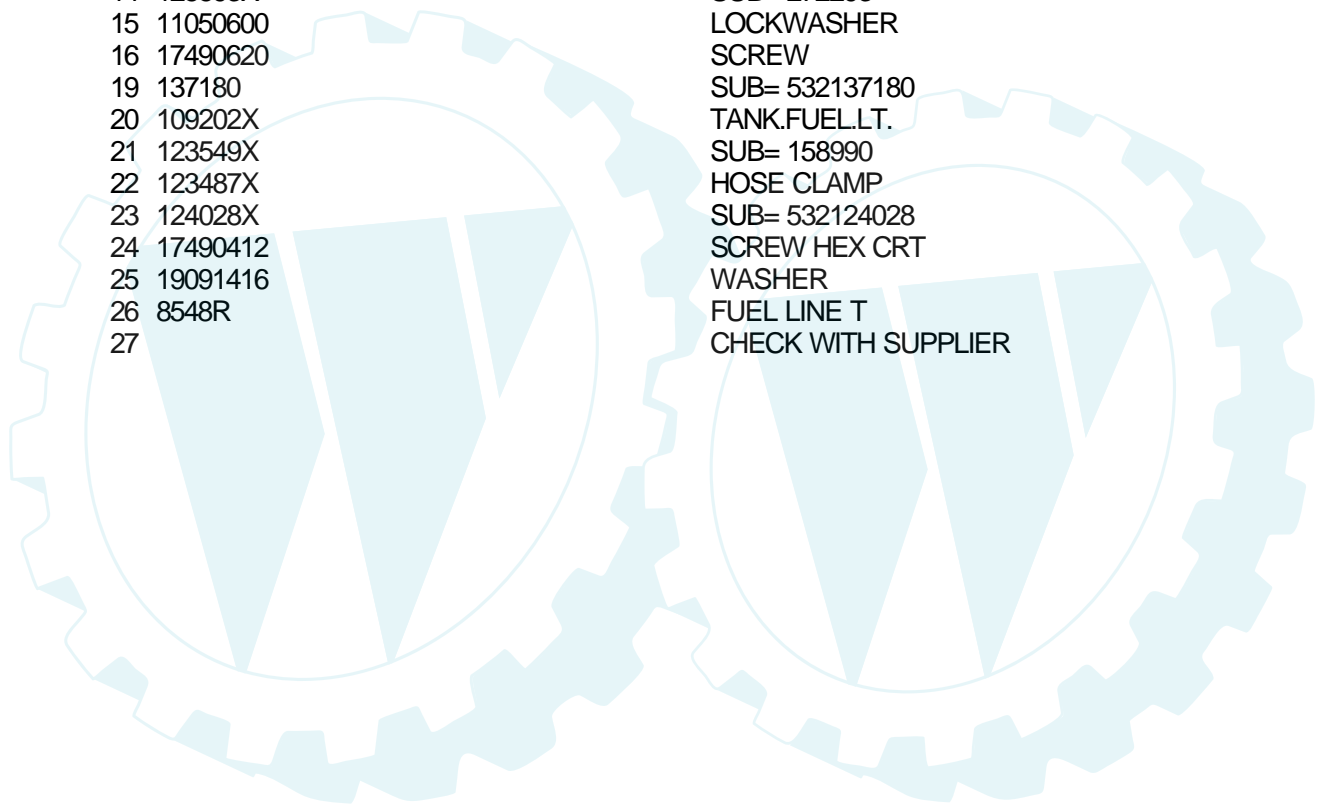
#### ENGINE



19  
**OPTIONAL EQUIPMENT**  
**Spark Arrester**

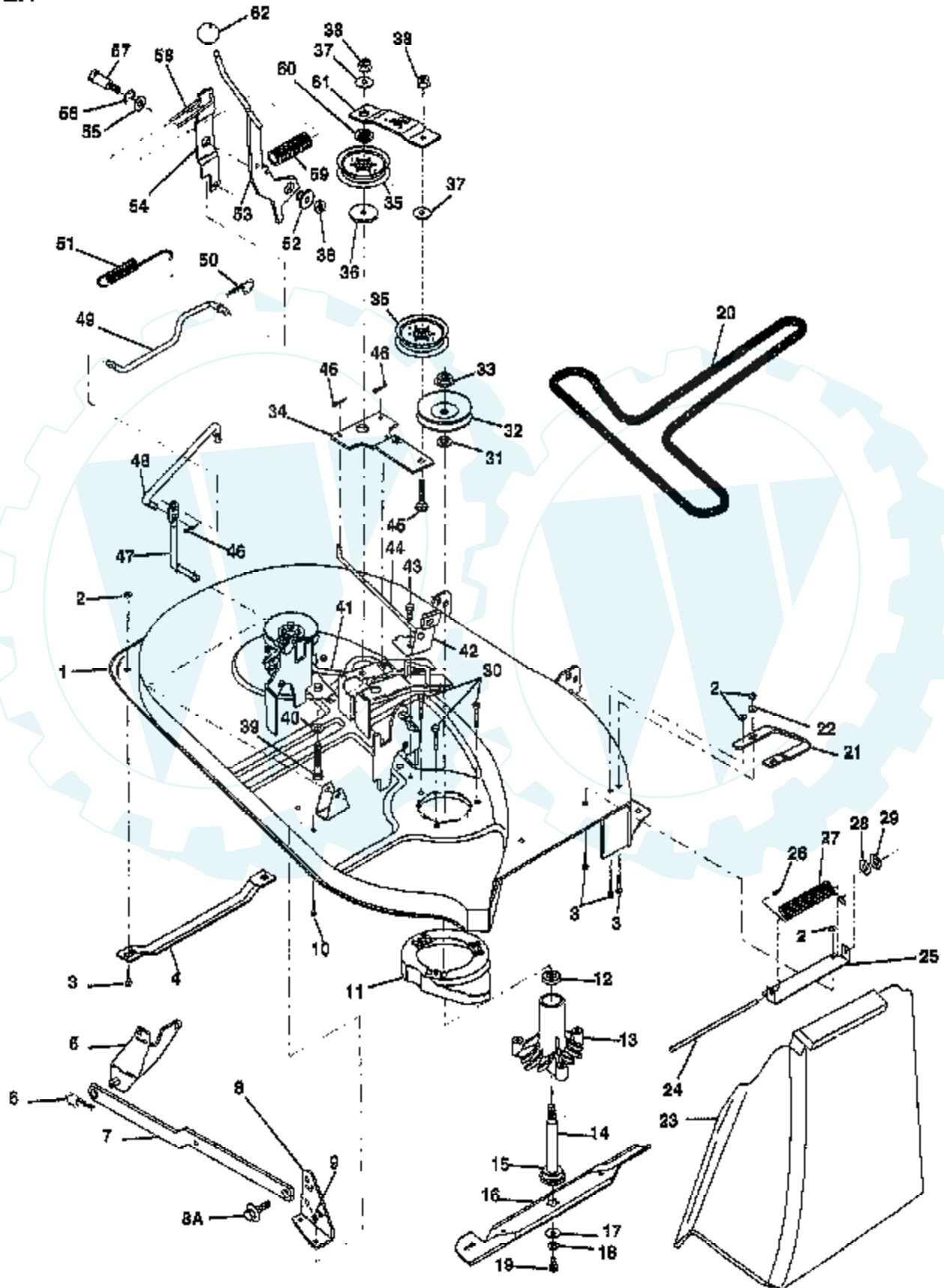


| Ref # | Part Number | Qty | Description         |
|-------|-------------|-----|---------------------|
| 1     | 132771      |     | THROTTLE CONTROL    |
| 2     | 17720410    |     | SCREW LT            |
| 3     |             |     | CHECK WITH SUPPLIER |
| 4     | 13280324    |     | PIPE NIPPLE         |
| 5     | 13200300    |     | ELBOW               |
| 6     | 101273M     |     | MUFFLER LTV         |
| 7     | 108767X     |     | DEFLECTOR MUFFLER   |
| 8     | 17030808    |     | SUB= 17030814       |
| 9     | 101159L     |     | SHIELD HEAT LTV     |
| 10    | 74780556    |     | "BOLT,HEX"          |
| 11    | 19111012    |     | WASHER T            |
| 12    | 74780408    |     | BOLT                |
| 13    | 10040400    |     | LOCKWASHER          |
| 14    | 125593X     |     | SUB= 272293         |
| 15    | 11050600    |     | LOCKWASHER          |
| 16    | 17490620    |     | SCREW               |
| 19    | 137180      |     | SUB= 532137180      |
| 20    | 109202X     |     | TANK.FUEL.LT.       |
| 21    | 123549X     |     | SUB= 158990         |
| 22    | 123487X     |     | HOSE CLAMP          |
| 23    | 124028X     |     | SUB= 532124028      |
| 24    | 17490412    |     | SCREW HEX CRT       |
| 25    | 19091416    |     | WASHER              |
| 26    | 8548R       |     | FUEL LINE T         |
| 27    |             |     | CHECK WITH SUPPLIER |



### 12 HP 38" TRACTOR -- MODEL NO. CP1238A

#### MOWER



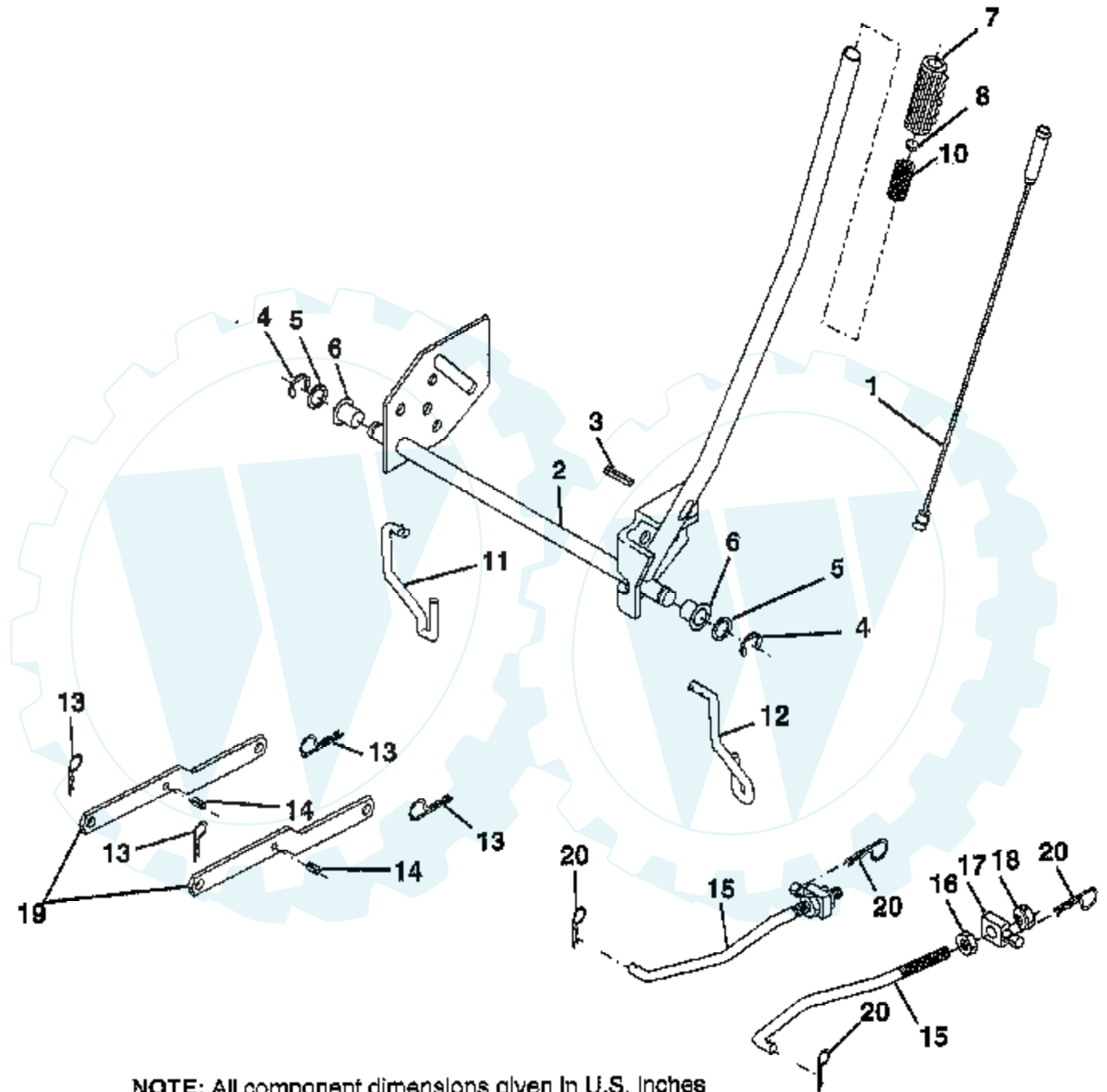
| Ref # | Part Number | Qty | Description         |
|-------|-------------|-----|---------------------|
| 1     | 138026      |     | SUB= 145775         |
| 2     | 73680500    |     | SUB= 73690500       |
| 3     | 72140506    |     | BOLT                |
| 4     | 7631J       |     | RUNNER-LH M         |
| 5     | 138017      |     | BRKT ASM SWAY BAR   |
| 6     | 4939M       |     | SUB= 85902          |
| 7     | 130832      |     | SUB= 130833         |
| 8     | 138440      |     | BRKT DECK SW BAR    |
| 8A    | 132827      |     | BOLT SHD 5/16-18    |
| 9     | 73800500    |     | NUT                 |
| 10    | 72140506    |     | BOLT                |
| 11    | 136929      |     | SUB= 140329         |
| 12    | 110485X     |     | BEARING             |
| 13    | 128774      |     | HSG ASM MANDREL     |
| 14    | 137645      |     | SUB= 137646         |
| 15    | 129895      |     | BEARING.BALL        |
| 16    | 138497      |     | "BLADE.38"" HIPERF" |
| 17    | 129962      |     | WASHER BLADE        |
| 18    | 10030600    |     | SUB= 10040600       |
| 19    | 850857      |     | BLADE BOLT          |
| 20    | 131290      |     | BELT-V.88.12.MW     |
| 21    | 128772      |     | RUNNER RH           |
| 22    | 19111216    |     | WASHER M            |
| 23    | 106736X     |     | DEFLECTOR-SHLD T    |
| 24    | 106735X     |     | ROD-HINGE T         |
| 25    | 137607      |     | BRKT DEFLECTOR      |
| 26    | 105304X     |     | CAP-SLEEVE LT       |
| 27    | 123713X     |     | SPRING TORSION      |
| 28    | 19111016    |     | WASHER              |
| 29    | 110452X     |     | NUT PUSH M          |
| 30    | 17580520    |     | BOLT.5/16-18X1.25   |
| 31    | 129963      |     | WASHER              |
| 32    | 129206      |     | SUB= 153532         |
| 33    | 137266      |     | SUB= 139729         |
| 34    | 133840      |     | IDLER ARM ASSY      |
| 35    | 131494      |     | FLAT IDLER PULLEY   |
| 36    | 122052X     |     | SPACER RETAINER     |
| 37    | 19131612    |     | WASHER GT           |
| 38    | 73680600    |     | SUB= 73690600       |
| 39    | 74600636    |     | BOLT                |
| 40    | 19131612    |     | WASHER GT           |
| 41    | 131289      |     | BRAKE ROD LH        |
| 42    | 130840      |     | BRAKE ASM           |
| 43    | 17490512    |     | SCREW               |
| 44    | 131288      |     | BRAKE ROD RH        |
| 45    | 72110614    |     | BOLT                |
| 46    | 76020312    |     | SUB= 3145           |
| 47    | 133551      |     | PIVOT ROD           |
| 48    | 133504      |     | CLUTCH ROD SECOND   |
| 49    | 134666      |     | "ROD, CLUTCH PRIM"  |
| 50    | 4497H       |     | RETAINER M          |
| 51    | 131870      |     | RETURN SPRING       |
| 52    | 127498      |     | BUSHING             |
| 53    | 133573      |     | CLUTCH ARM PRI AS   |
| 54    | 127847      |     | CLUTCH ARM SECOND   |
| 55    | 121748X     |     | WASHER              |
| 56    | 12000029    |     | RING                |
| 57    | 128903      |     | SHOULDER BOLT       |

| Ref # | Part Number | Qty | Description      |
|-------|-------------|-----|------------------|
| 58    | 127845      |     | SPRING KEEPER    |
| 59    | 128759      |     | SUB= 918128759   |
| 60    | 133502      |     | RETAINER SPACER  |
| 61    | 133503      |     | IDLER ARM STIFF  |
| 62    | 106932X     |     | KNOB T(3/8 HOLE) |
|       | 138360      |     | SUB= 142820      |
|       | 130794      |     | MANDREL ASM      |



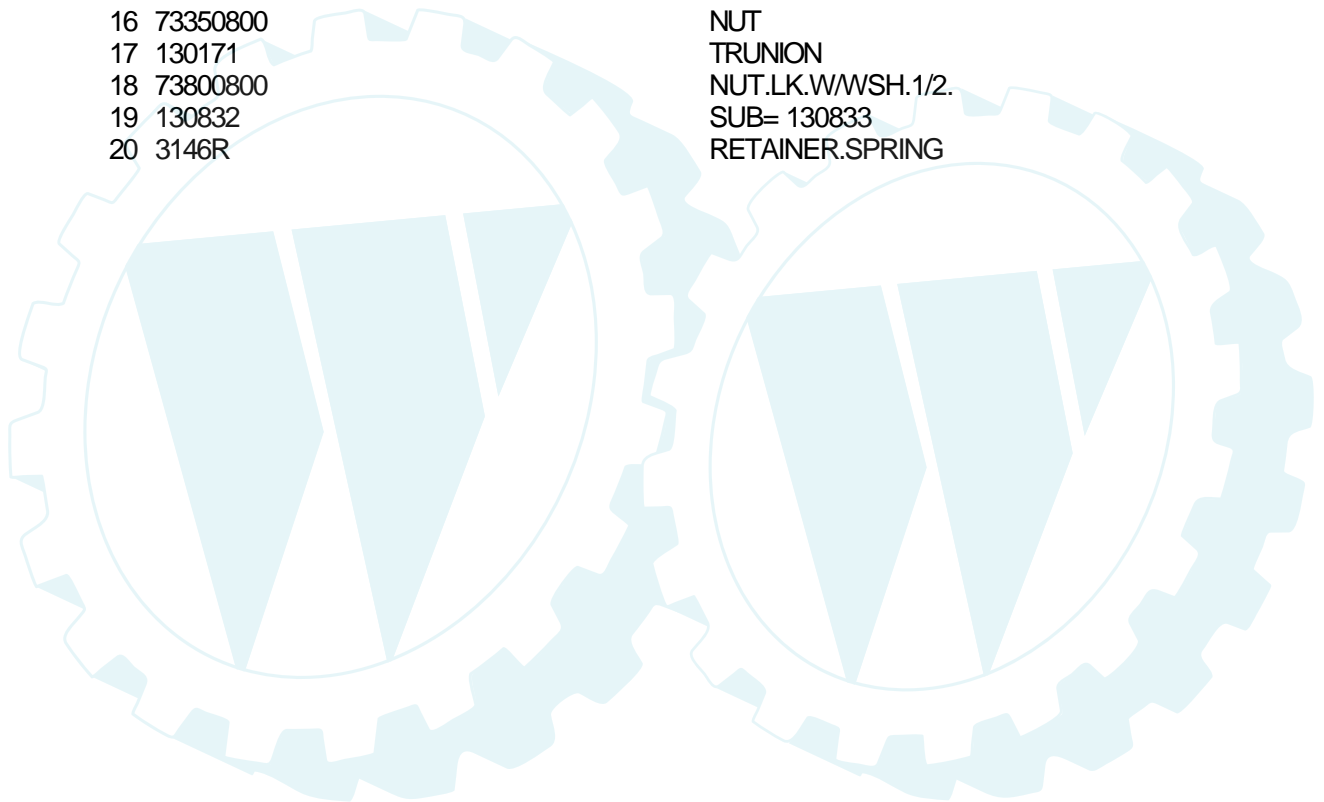
## 12 HP 38" TRACTOR - - MODEL NO. CP1238A

### MOWER LIFT



**NOTE:** All component dimensions given in U.S. inches  
1 inch = 25.4 mm.

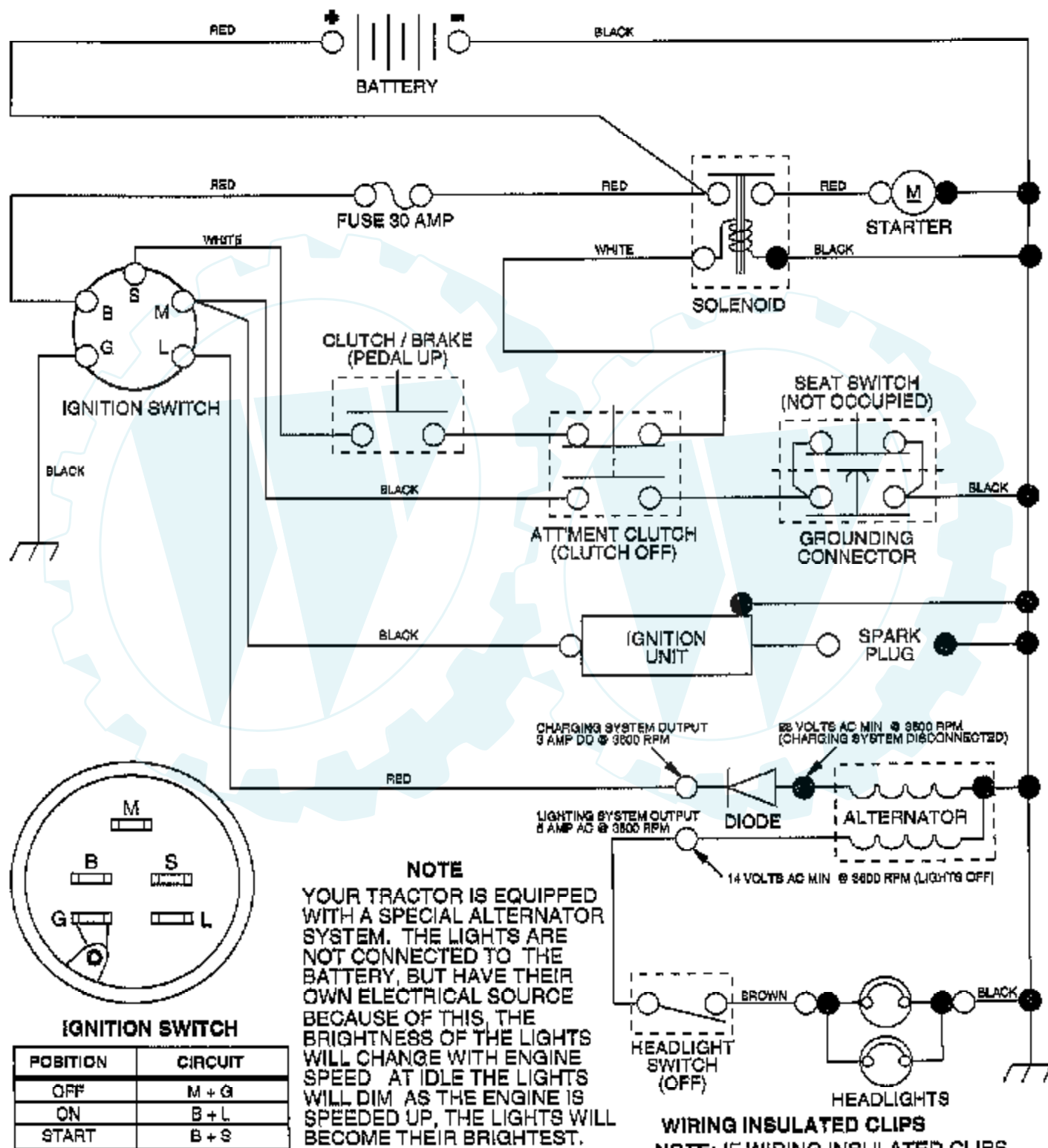
| Ref # | Part Number | Qty | Description       |
|-------|-------------|-----|-------------------|
| 1     | 136973      |     | WIRE ASM          |
| 2     | 122507X     |     | SUB= 145117       |
| 3     | 105767X     |     | PIN-GROOVE LT     |
| 4     | 12000002    |     | SUB= 2225J        |
| 5     | 19211621    |     | WASHER            |
| 6     | 120183X     |     | NYLON BEARING     |
| 7     | 109413X     |     | GRIP              |
| 8     | 124526X     |     | SUB= 125925X      |
| 10    | 122512X     |     | SUB= 532122512    |
| 11    | 134619      |     | LINK LIFT LH      |
| 12    | 135388      |     | LIFT LINK RH      |
| 13    | 4939M       |     | SUB= 85902        |
| 14    | 135563      |     | "PIN,SPRING"      |
| 15    | 127218      |     | LINK.FRONT        |
| 16    | 73350800    |     | NUT               |
| 17    | 130171      |     | TRUNION           |
| 18    | 73800800    |     | NUT.LK.W/WSH.1/2. |
| 19    | 130832      |     | SUB= 130833       |
| 20    | 3146R       |     | RETAINER.SPRING   |





## 12 HP 38" TRACTOR - - MODEL NUMBER CP1238A

### SCHEMATIC

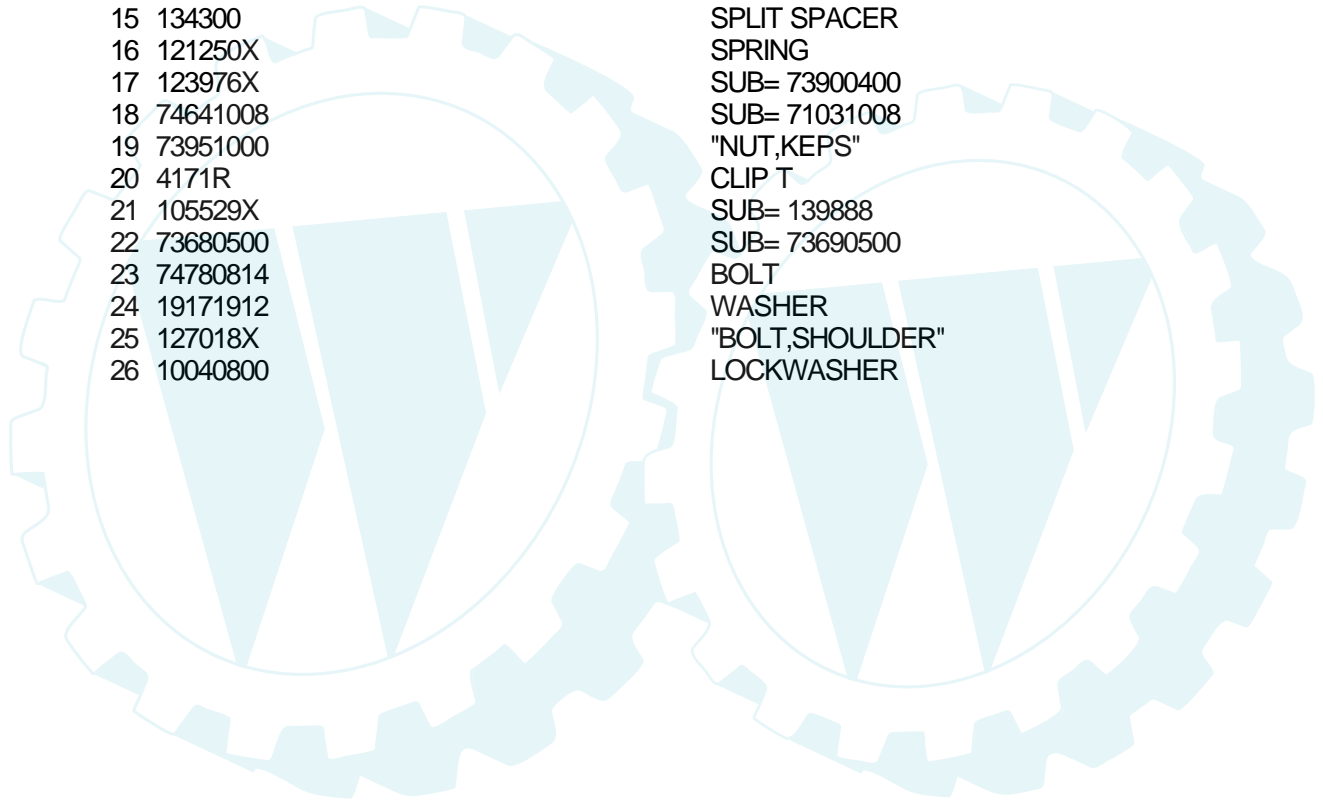


● NON-REMOVABLE CONNECTIONS

○ REMOVABLE CONNECTIONS



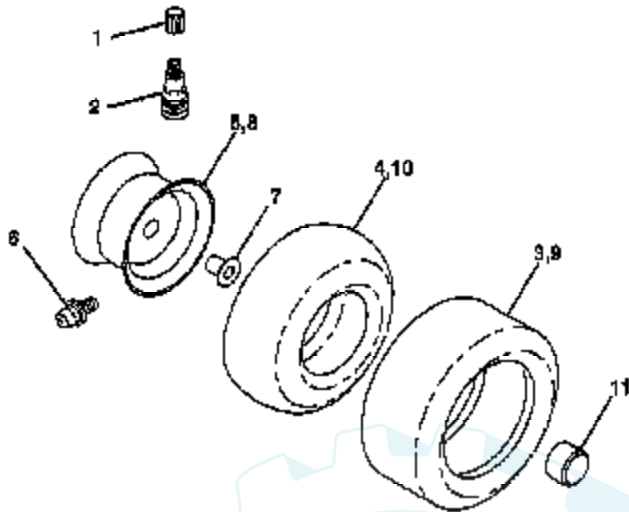
| Ref # | Part Number | Qty | Description       |
|-------|-------------|-----|-------------------|
| 1     | 127427      |     | SUB= 140119       |
| 2     | 126656      |     | SUB= 140551       |
| 3     | 74760612    |     | SUB= 74780612     |
| 4     | 19131610    |     | WASHER PM         |
| 5     | 2751R       |     | CLIP T            |
| 6     | 73680600    |     | SUB= 73690600     |
| 7     | 124181X     |     | SPRING COMPRESSIO |
| 8     | 17490616    |     | SCREW GTV         |
| 9     | 19131614    |     | WASHER            |
| 10    | 131451      |     | SUB= 155925       |
| 11    | 121251X     |     | STRIP FORM        |
| 12    | 121246X     |     | BRKT SWITCH       |
| 13    | 121248X     |     | BUSHING           |
| 14    | 72050411    |     | SUB= 872050411    |
| 15    | 134300      |     | SPLIT SPACER      |
| 16    | 121250X     |     | SPRING            |
| 17    | 123976X     |     | SUB= 73900400     |
| 18    | 74641008    |     | SUB= 71031008     |
| 19    | 73951000    |     | "NUT,KEPS"        |
| 20    | 4171R       |     | CLIP T            |
| 21    | 105529X     |     | SUB= 139888       |
| 22    | 73680500    |     | SUB= 73690500     |
| 23    | 74780814    |     | BOLT              |
| 24    | 19171912    |     | WASHER            |
| 25    | 127018X     |     | "BOLT,SHOULDER"   |
| 26    | 10040800    |     | LOCKWASHER        |



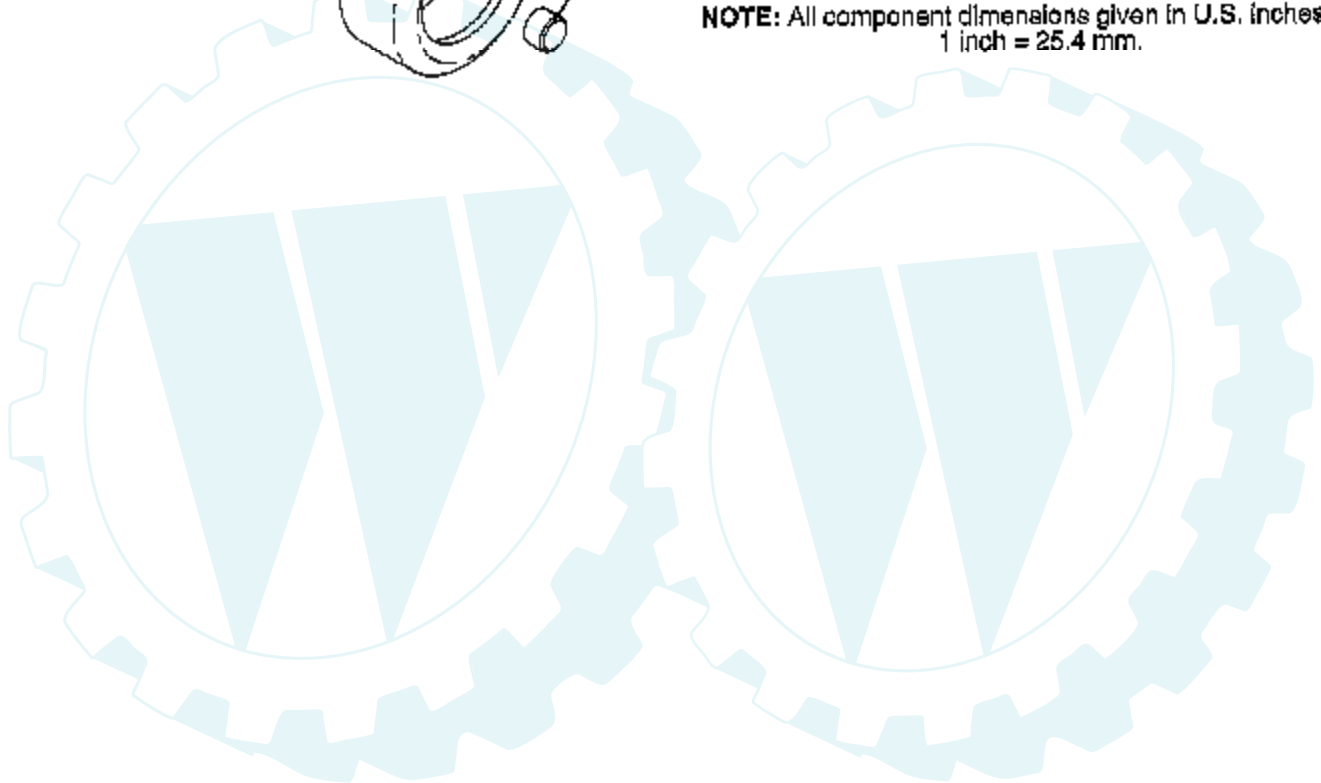


| Ref # | Part Number | Qty | Description         |
|-------|-------------|-----|---------------------|
| 1     | 133741      |     | SUB= 150547         |
| 2     | 133988      |     | SUB= 142033         |
| 3     | 135227      |     | SPINDLE LH          |
| 4     | 135228      |     | SPINDLE RH          |
| 5     | 6266H       |     | WASHER .T           |
| 6     | 121748X     |     | WASHER              |
| 7     | 19272016    |     | WASHER              |
| 8     | 12000029    |     | RING                |
| 9     | 3366R       |     | COL. SRTG. BEAR.    |
| 10    | 130468      |     | SUB= 532130468      |
| 11    | 10040600    |     | LOCKWASHER          |
| 12    | 73610600    |     | SUB= 7810H          |
| 13    | 110438X     |     | BEARING             |
| 14    | 74011056    |     | BOLT HEX 5/8-11     |
| 15    | 73901000    |     | "NUT-LOC,FLANGE LT" |
| 16    | 132624      |     | AXLE PIN            |
| 17    | 132614      |     | SHAFT ASM           |
| 18    | 57079       |     | THRUST WASHER       |
| 19    | 124035X     |     | SUPPORT.SHAFT       |
| 20    | 126684X     |     | SUB= 532126684      |
| 21    | 10040400    |     | LOCKWASHER          |
| 22    | 71070410    |     | "SCREW,SPECIAL"     |
| 23    | 127501      |     | SUB= 918127501      |
| 24    | 109816X     |     | NYLINER T           |
| 25    | 124036X     |     | "BRKT,STEERING"     |
| 26    | 12000029    |     | RING                |
| 27    | 136874      |     | GEAR SECTOR         |
| 28    | 6266H       |     | WASHER .T           |
| 29    | 17490612    |     | SCREW               |
| 30    | 10040600    |     | LOCKWASHER          |
| 31    | 73610600    |     | SUB= 7810H          |
| 32    | 130465      |     | TIE ROD             |
| 33    | 126847X     |     | BUSHING.DRAGLINK    |
| 34    | 19131416    |     | WASHER              |
| 35    | 76020412    |     | COTTER PIN          |
| 36    | 132196      |     | SUB= 155106         |
| 37    | 17431008    |     | SUB= 98000165       |
| 38    | 133742      |     | ST WHL INSERT CAP   |
| 39    | 19133808    |     | WASHER T            |
| 40    | 7810H       |     | GRIPCO NUT          |
| 41    | 104820X     |     | ADAPTER-WHEEL LT    |
| 42    | 124418X     |     | "TUBE, STR SHAFT"   |
| 43    | 121749X     |     | WASHER              |
| 44    | 121748X     |     | WASHER              |
| 45    | 12000029    |     | RING                |
| 46    | 121232X     |     | CAP                 |
| 47    | 6855M       |     | ZERK M              |
| 56    | 19131210    |     | WASHER              |

## WHEELS & TIRES 12 HP 38" TRACTOR - - MODEL NUMBER CP1238A



**NOTE:** All component dimensions given in U.S. inches -  
1 inch = 25.4 mm.



| Ref # | Part Number | Qty | Description       |
|-------|-------------|-----|-------------------|
| 1     | 59192       |     | VALVE CAP         |
| 2     | 65139       |     | VALVE STEM LT     |
| 3     | 106222X     |     | SUB= 122073X      |
| 4     | 59904       |     | TUBE.5.3/4.5/6    |
| 5     | 106732X361  |     | SUB= 106732X417   |
| 6     | 278H        |     | FITTING LT        |
| 7     | 9040H       |     | "FLANGE, BEARING" |
| 8     | 106108X361  |     | SUB= 106108X417   |
| 9     | 106268X     |     | SUB= 122074X      |
| 10    | 7152J       |     | TUBE.18X9.5-8     |
| 11    | 104757X     |     | HUB CAP           |

