

**REPAIR PARTS MANUAL**  
**MODEL NO. CO15538LT (96012007403)**  
**Lawn Tractor**

---

**Rally**

# HOW TO USE THIS MANUAL

This manual is designed to provide the customer with a means to identify the parts on his/her tractor when ordering repair parts. The illustrations may or may not represent the actual assemblies; therefore, it is not recommended to use this manual as a guide to assemble or disassemble the tractor. Some hardware and parts are drawn larger in order to more readily identify them.

Each tractor has its own model number.

The model number for your tractor can be found on the fender under the seat.

When ordering parts, always give the following information:

- Product - "Tractor"
- MODEL NUMBER - "CO15538LT (96012007403)"
- Part Number
- Part Description

## TABLE OF CONTENTS

<b>SCHEMATIC</b> .....	<b>3</b>
<b>ELECTRICAL</b> .....	<b>4-5</b>
<b>CHASSIS</b> .....	<b>6-7</b>
<b>DRIVE</b> .....	<b>8-9</b>
<b>ENGINE</b> .....	<b>10-11</b>
<b>STEERING</b> .....	<b>12-13</b>
<b>MOWER DECK</b> .....	<b>14-15</b>
<b>DECALS</b> .....	<b>16</b>
<b>SEAT</b> .....	<b>17</b>
<b>MOWER LIFT</b> .....	<b>18</b>

# COMMENT UTILISER CE MANUEL

[www.ersatzteil-service.de](http://www.ersatzteil-service.de)

Ce manuel a été dessiné pour fournir le client avec les moyens d'identification des pièces de détachées du tracteur quand il/elle a besoin de commander les pièces de rechange. Les illustrations ne peuvent pas représenter exactement le modèle que vous avez acheté. N'utilisez pas ce manuel comme un guide dans le montage et/ou démontage de votre tracteur. La visserie montrée est plus grande pour faciliter l'identification.

Chaque tracteur a un numéro de modèle particulier.

Le numéro de modèle du produit se trouvera sur l'aile, dessous le siège.

Lorsque vous commandez des pièces de rechange, donnez toujours les renseignements suivants:

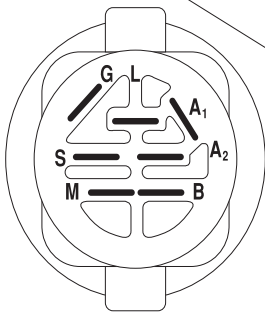
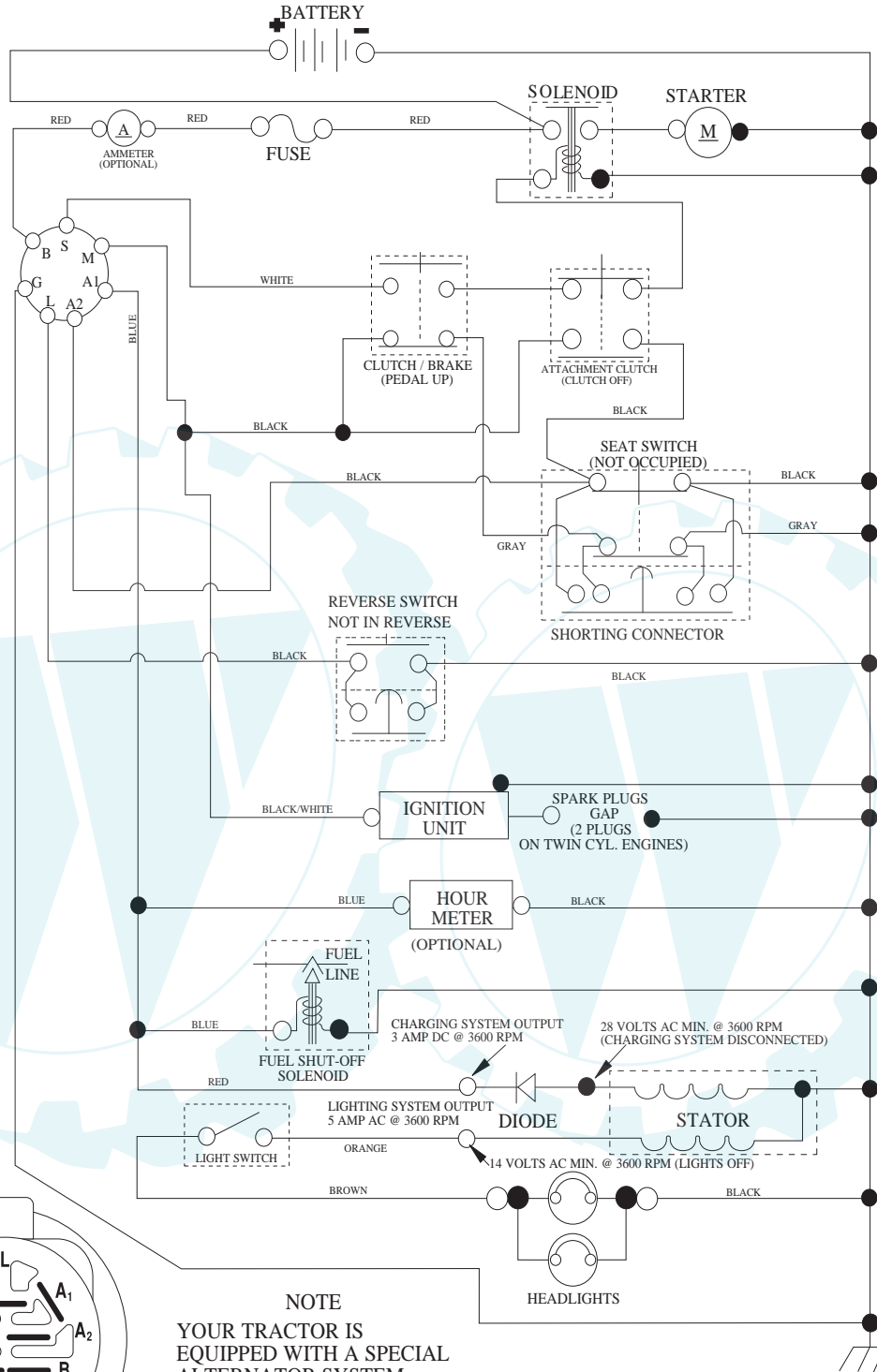
- Produit - "Tracteur"
- Numéro du Modèle - "CO15538LT (96012007403)"
- Numéro de la Pièce
- Description de la Pièce

## TABLE DE MATIERES

SCHÉMA.....	3
ELECTRIQUE .....	4-5
CHÂSSIS/ENCEINTES.....	6-7
ENTRAÎNEMENT.....	8-9
MOTEUR.....	10-11
ENSEMBLE DE LA DIRECTION.....	12-13
CARTER DE TONDEUSE.....	14-15
DECALCOMANIES.....	16
ENSEMBLE DU SIÈGE .....	17
LEVAGE DE LA TONDEUSE.....	18

TRACTOR - - MODEL NUMBER CO15538LT (96012007403), PRODUCT NO. 960 12 00-74  
 SCHEMATIC

SCH03



IGNITION SWITCH

POSITION	CIRCUIT	"MAKE"
OFF	M+G+A1	
RUN/OVERRIDE	B+A1	
RUN	B+A1	L+A2
START	B + S + A1	

NOTE

YOUR TRACTOR IS EQUIPPED WITH A SPECIAL ALTERNATOR SYSTEM. THE LIGHTS ARE NOT CONNECTED TO THE BATTERY, BUT HAVE THEIR OWN ELECTRICAL SOURCE. BECAUSE OF THIS, THE BRIGHTNESS OF THE LIGHTS WILL CHANGE WITH ENGINE SPEED. AT IDLE THE LIGHTS WILL DIM. AS THE ENGINE IS SPEEDED UP, THE LIGHTS WILL BECOME THEIR BRIGHTEST.

● NON-REMOVABLE CONNECTIONS

○ REMOVABLE CONNECTIONS

WIRING INSULATED CLIPS  
 NOTE: IF WIRING INSULATED CLIPS WERE REMOVED FOR SERVICING OF UNIT, THEY SHOULD BE RE-INSTALLED TO PROPERLY SECURE YOUR WIRING.

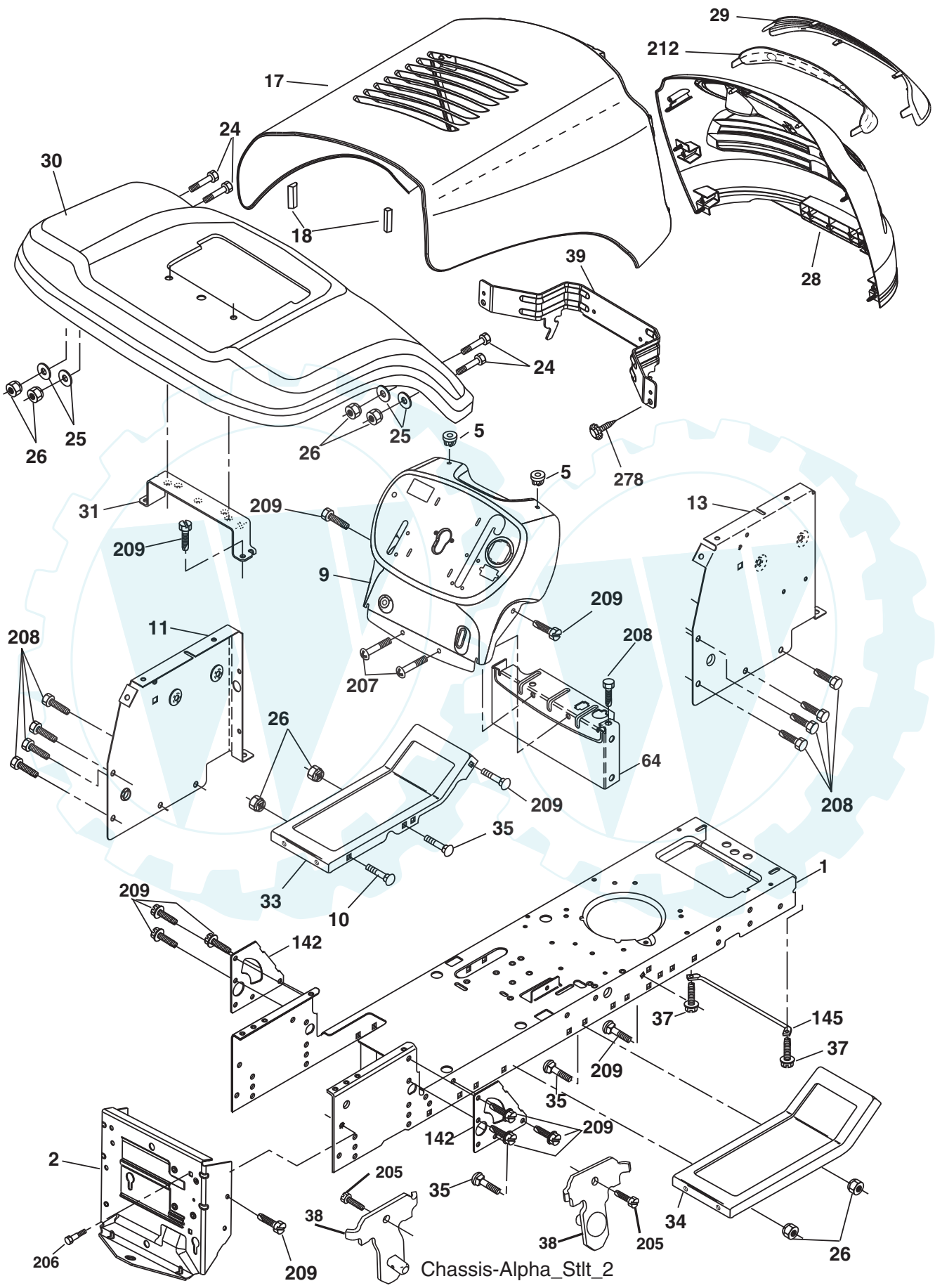


TRACTOR - - MODEL NUMBER CO15538LT (96012007403), PRODUCT NO. 960 12 00-74  
ELECTRICAL

KEY PART NO.	PART NO.	DESCRIPTION
1	532 16 34-65	Battery
2	874 76 04-12	Bolt Hex Hd 1/4-20 unc x 3/4
8	532 17 66-89	Box Battery
16	532 17 61-38	Switch Interlock
21	532 17 56-88	Harness Asm Light W/4152j
22	532 00 41-52	Bulb Light #1156
24	532 12 47-80	Cable Battery 6 Ga. 11"red
25	532 14 61-47	Cable Battery
26	532 17 51-58	Fuse 20 AMP
27	873 51 04-00	Nut Keps Hex 1/4-20 unc
28	532 12 47-73	Cable Ground 6 Ga. 12"black
29	532 19 27-49	Switch
30	532 19 33-50	Switch Ign
33	532 41 19-35	Key/Chain
34	532 11 07-12	Switch Light/Reset
40	532 19 74-28	Harness Ign
41	871 11 04-08	Bolt Blk Fin Hex 1/4-20
42	532 13 15-63	Cover Terminal Red
43	532 19 25-07	Solenoid
48	532 14 08-44	Adapter Ammeter
52	532 14 19-40	Protection Wire Loop
79	532 17 52-42	Socket Asm Bulb
90	532 18 04-49	Cover Terminal Battery
92	532 19 66-15	Harness Pigtail
93	532 19 25-40	Screw Plastite 10-14 x 2.0
94	532 19 18-34	Module Reverse

**NOTE:** All component dimensions given in U. S. inches 1 inch = 25.4 mm.

TRACTOR - - MODEL NUMBER CO15538LT (96012007403), PRODUCT NO. 960 12 00-74  
CHASSIS



Chassis-Alpha\_Stlt\_2

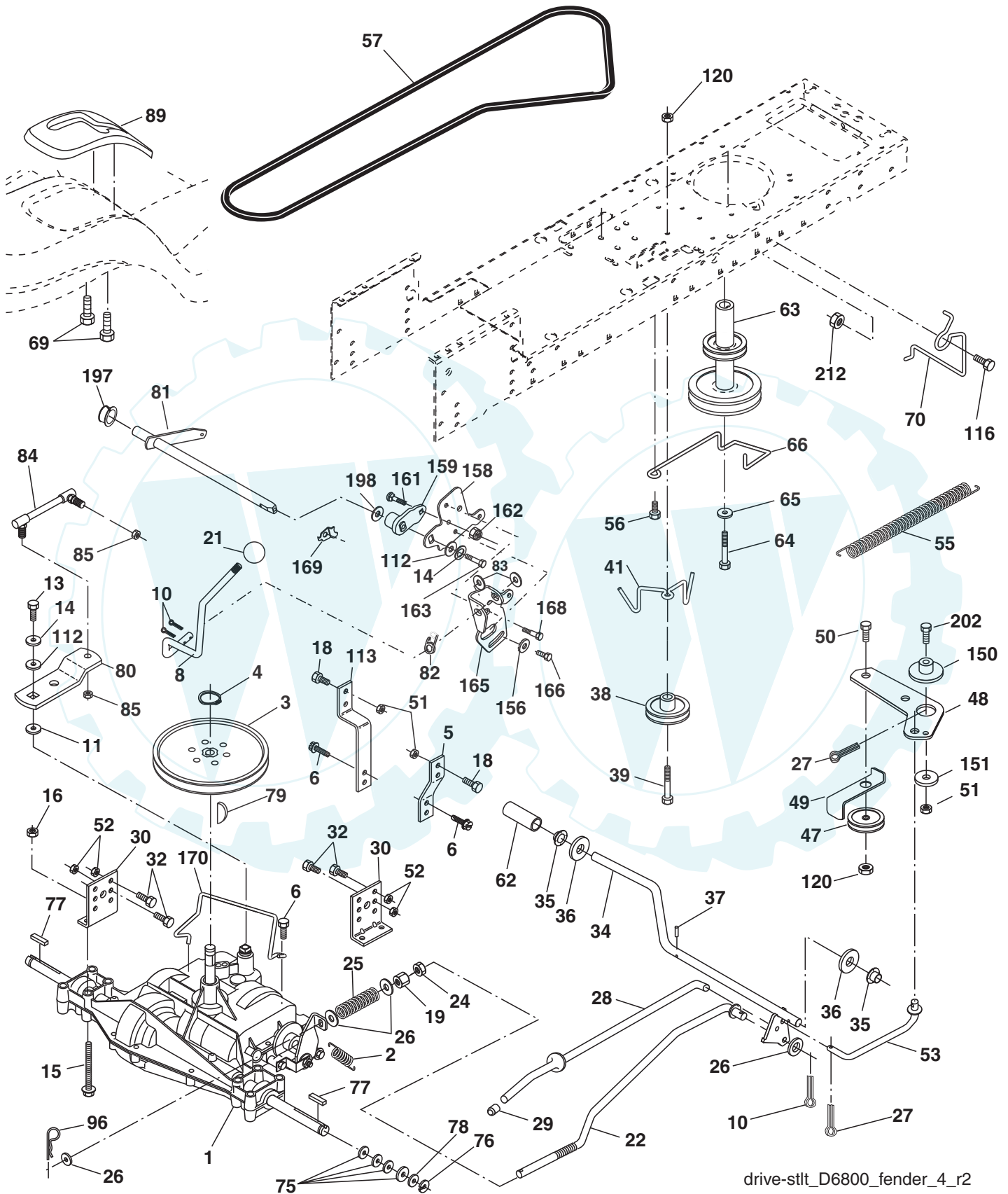
**TRACTOR - - MODEL NUMBER CO15538LT (96012007403), PRODUCT NO. 960 12 00-74 CHASSIS**

[www.ersatzteil-service.de](http://www.ersatzteil-service.de)

KEY NO.	PART NO.	DESCRIPTION
1	532 17 46-19	Chassis
2	532 17 65-54	Drawbar, Stretch
5	532 15 52-72	Bumper, Hood/Dash
9	532 19 41-97	Dash
10	872 14 06-08	Bolt, Carriage 3/8-16 x 1
11	532 17 49-96	Panel Dash LH
13	532 18 17-19	Panel Silkscr Dash RH
17	532 19 47-97	Hood
18	532 18 49-21	Bumper Hood
24	874 78 06-16	Bolt Fin Hex 3/8-16 unc x 1 Gr. 5
25	819 13 13-12	Washer 13/32 x 13/16 x 12 Ga.
26	873 80 06-00	Nut Lock Hex w/Ins 3/8-16 unc
28	532 18 75-98	Grille/Lens Asm (Include Key nos. 29 and 212)
29	532 19 54-02	Lens Grille Basic Bar
30	532 19 57-70	Fender
31	532 13 66-19	Bracket Fender Repl 109873X
33	532 18 11-93	Footrest Pnt LH
34	532 18 11-94	Footrest Pnt RH
35	872 11 06-06	Bolt Rdhd Sht Sqnk 3/8-16 x 3/4
37	817 49 05-08	Screw Thdrol 5/16-18 x 1/2 TYT
38	532 17 57-10	Bracket Asm. Pivot Mower
39	532 18 75-68	Bracket Pivot
64	532 15 47-98	Dash Lower
142	532 17 57-02	Plate Reinforcement
145	532 40 91-67	Rod Pivot Hood
205	817 49 06-08	Screw Thdrol 3/8-16 x 1/2
206	532 17 01-65	Bolt Shoulder 5/16-18
207	817 67 05-08	Screw Thdrol 5/16-18 x 1/2
208	817 67 06-08	Screw Thdrol 3/8-16 x 1/2
209	817 00 06-12	Screw Hex Wsh Thdrol 3/8-16
212	532 18 75-69	Insert Lens Reflect
278	532 41 63-58	Screw 10 x 0.750
--	532 00 54-79	Plug Button Blk 359 Dia Choke
--	532 18 78-01	Plug Dome Plastic

**NOTE:** All component dimensions given in U.S. inches  
1 inch = 25.4 mm.





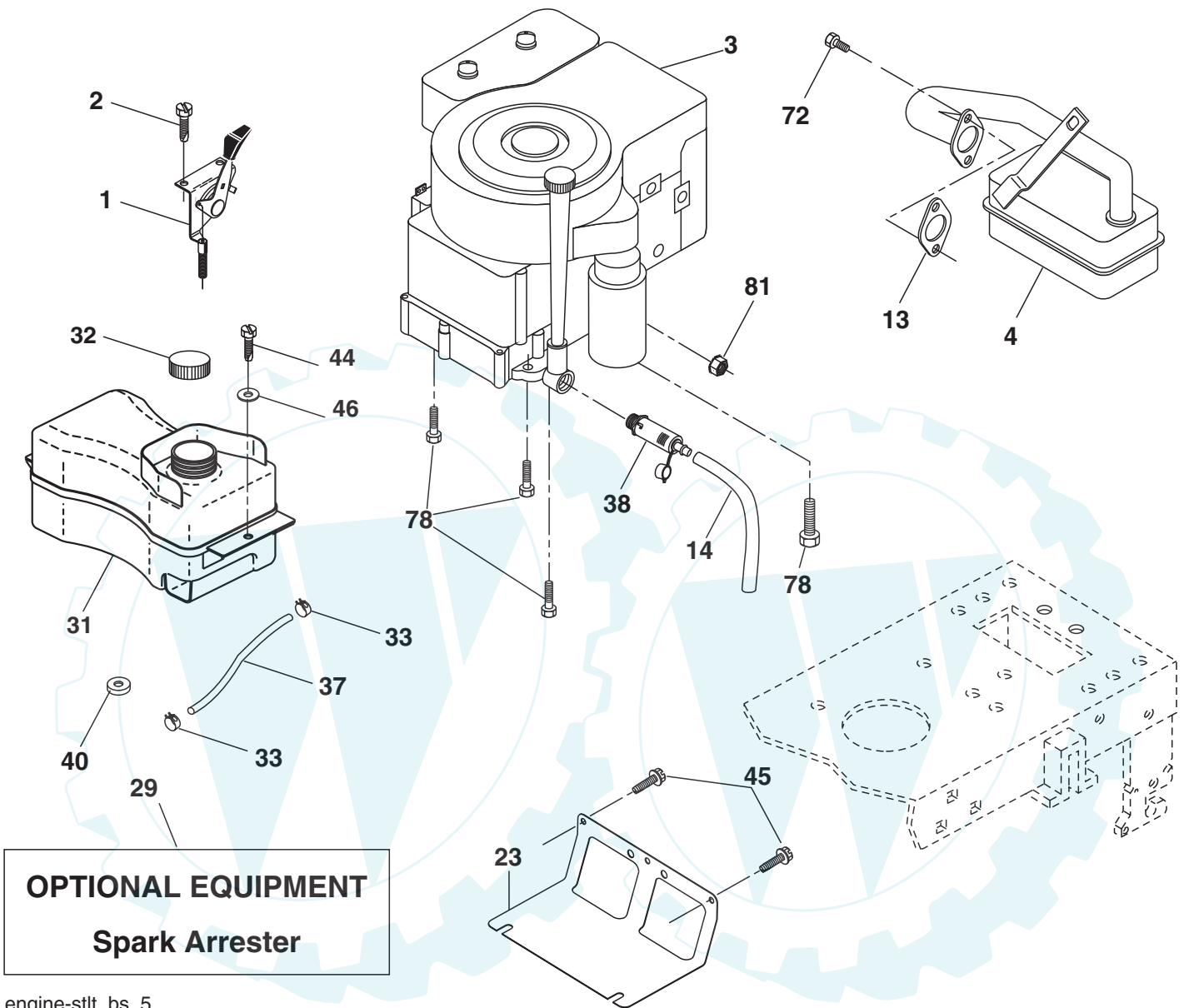
drive-stlt\_D6800\_fender\_4\_r2

**TRACTOR - - MODEL NUMBER C015538LT (96012007403), PRODUCT NO. 960 12 00-74 DRIVE**

[www.ersatzteil-service.de](http://www.ersatzteil-service.de)

KEY NO.	PART NO.	DESCRIPTION	KEY NO.	PART NO.	DESCRIPTION
1	---	Transaxle DANA D6800-5 (Order parts from transaxle manufacturer)	65	810 04 07-00	Washer Lock Hvy Hlcl Spr 7/16
2	532 14 66-82	Spring Return Brake T/a Zinc	66	532 15 47-78	Keeper Belt Engine Foolproof
3	532 12 36-66	Pulley Transaxle 18" tires	69	532 14 24-32	Screw Hex wsh HiLo 1/4 x 1/2 unc
4	812 00 00-28	Ring Retainer # 5100-62	70	532 13 46-83	Guide Belt Mower Drive RH
5	532 12 15-20	Strap Torque 30 Degrees	75	532 12 17-49	Washer 25/32 x 1 1/4 x 16 Ga.
6	817 06 05-12	Screw 5/16-18 x 3/4	76	812 00 00-01	E-ring #5133-75
8	532 19 27-06	Rod Shift Fender Adjust Lt	77	532 12 35-83	Key Square 2 0 x 1845/ 1865
10	876 02 04-16	Pin Cotter 1/8 x 1 Cad	78	532 12 17-48	Washer 25/32 x 1-5/8 x 16 Ga.
11	532 10 57-01	Washer Plate Shf 388 Sq Hole	79	532 12 50-96	Key Woodruff #9 3/16 x 3/4
13	874 55 04-12	Bolt 1/4-28 unF Gr. 8 W/Patch	80	<b>532 13 14-88</b>	Arm Shift
14	810 04 04-00	Washer Lock Hvy Helical	81	532 16 55-94	Shaft Asm Cross Tapered PMST/20
15	874 49 05-44	Bolt Hex FLGHD 5/16-18 Gr. 5	82	532 16 57-11	Spring Torsion T/a
16	873 80 05-00	Nut Lock Hex w/ins 5/16-18	83	819 17 12-16	Washer 17/32 x 3/4 x 16 Ga.
18	874 78 06-16	Bolt, Fin Hex 3/8-16 unc x 1 Gr. 5	84	<b>532 16 62-29</b>	Link Transaxle Dana/18" Zinc
19	873 80 06-00	Nut Lock 3/8-16 unc	85	532 15 03-60	Nut Lock Center 1/4 - 28 FNTHD
21	532 10 69-33	Knob	89	532 19 58-61	Console Shift STLT
22	532 13 08-04	Rod Brake Blk Zinc 26 840	96	532 12 47-88	Retainer Spring 1"
24	873 35 06-00	Nut Hex Jam 3/8-16 unc	112	819 09 12-10	Washer 9/32 x 3/4 x 10 Ga.
25	532 10 68-88	Spring Rod Brake 2 00 Zinc	113	532 12 72-85	Strap Torque LT
26	819 13 13-16	Washer 13/32 x 13/16 x 16 Ga.	116	872 14 06-08	Bolt Rdhd Sq Neck 3/8-16 x 1
27	876 02 04-12	Pin Cotter 1/8 x 3/4 Cad	120	873 90 06-00	Nut Lock Flg. 3/8-16 unc
28	532 17 57-65	Rod Brake Parking LT/YT	150	532 17 54-56	Spacer Retainer
29	532 07 16-73	Cap Brake Parking	151	819 13 32-10	Washer 13/32 x 2 x 10
30	532 17 49-73	Bracket Mtg Transaxle	156	532 16 60-02	Washer Srrted 5/16ID x 1.125
32	874 76 05-12	Bolt Hex Hd 5/16-18 unc x 3/4	158	532 16 55-89	Bracket Shift Mount
34	532 17 55-78	Shaft Asm Pedal Foot	159	532 18 39-00	Hub Tapered Flange Shift Lt
35	532 12 01-83	Bearing Nylon Blk 629 Id	161	872 14 04-06	Bolt Rdhd Sqnk 1/4-20 x 3/4
36	819 21 16-16	Washer 21/32 x 1 x 16 Ga.	162	873 68 04-00	Nut Crownlock 1/4-20 unc
37	532 12 49-63	Pin Roll 3/16 x 1"	163	874 78 04-16	Bolt Hex Fin 1/4-20 unc x 1 Gr. 5
38	532 17 91-14	Pulley Composite Flat	165	532 16 56-23	Bracket Pivot Lever
39	872 11 06-22	Bolt RDHD 3/8-16 unc x 2-3/4 Gr. 5	166	817 49 05-10	Screw 5/16-18 x 5/8
41	532 17 55-56	Keeper Belt Flat Idler	168	532 16 54-92	Bolt Shoulder 5/16-18 x .561
47	532 12 77-83	Pulley Idler V Groove Plastic	169	532 16 55-80	Plate Fastening
48	532 15 44-07	Bellcrank Asm	170	532 18 74-14	Keeper Belt Transaxle Gear
49	532 12 32-05	Retainer Belt Style Spring	197	532 16 96-13	Nyliner Snap-In
50	872 11 06-12	Bolt Carr. Sh. 3/8-16 x 1-1/2 Gr. 5	198	532 16 95-93	Washer Nyliner
51	873 68 06-00	Nut Crownlock 3/8-16 unc	202	872 11 06-14	Bolt RdHd 3/8-16 unc x 1-3/4 Gr. 5
52	873 68 05-00	Nut Crownlock 5/16-18 unc	212	532 14 52-12	Nut Hexflange Lock
53	532 19 96-52	Link Clutch			
55	532 10 57-09	Spring Return Clutch 6 75			
56	817 06 06-20	Screw 3/8-16 x 1-1/4			
57	<b>532 40 16-03</b>	V-Belt Ground Drive			
62	532 12 48-72	Cover Pedal Blk Round			
63	532 17 54-10	Engine Pulley			
64	532 17 39-37	Bolt Hex			

**NOTE:** All component dimensions given in U.S. inches  
1 inch = 25.4 mm



engine-stlt\_bs\_5

**TRACTOR - - MODEL NUMBER CO15538LT (96012007403), PRODUCT NO. 960 12 00-74 ENGINE**

KEY PART NO.	NO.	DESCRIPTION
1	532 17 05-51	Control Th/ch Flag
2	817 72 04-08	Screw Hex Thd Cut 1/4-20 x 1/2
3	-----	Engine, B&S 31A607 (Order parts from engine manufacturer)
4	532 13 73-52	Muffler Exhaust B&S
13	532 16 52-91	Gasket Eng 1 313 Id Tin Plated
14	532 14 84-56	Tube Drain Oil Easy
23	532 16 98-37	Shield BRN/DBR Guard
29	532 13 71-80	Kit Spark Arrestor (Flat Scrn)
31	532 40 75-16	Tank Fuel Front
32	532 19 77-25	Cap Asm Fuel
33	532 12 34-87	Clamp Hose
37	532 40 11-37	Line Fuel 20"
38	532 18 16-54	Plug Drain Oil
40	532 12 40-28	Bushing Snap Nyl Blk Fuel Line
44	817 67 04-12	Screw Thdrol 1/4-20 x 3/4
45	817 00 06-12	Screw Hex Wsh Thdrol 3/8-16
46	819 09 14-16	Washer 9/32 x 7/8 x 16 Ga.
72	532 19 23-34	Screw Socket Hd 5/16-18 x .75
78	817 06 06-20	Screw 3/8-16 x 1-1/4
81	873 51 04-00	Nut Keps Hex 1/4-20 unc

**NOTE:** All component dimensions given in U.S. inches  
1 inch = 25.4 mm

For engine service and replacement parts, call the toll free number for your engine manufacturer listed below:

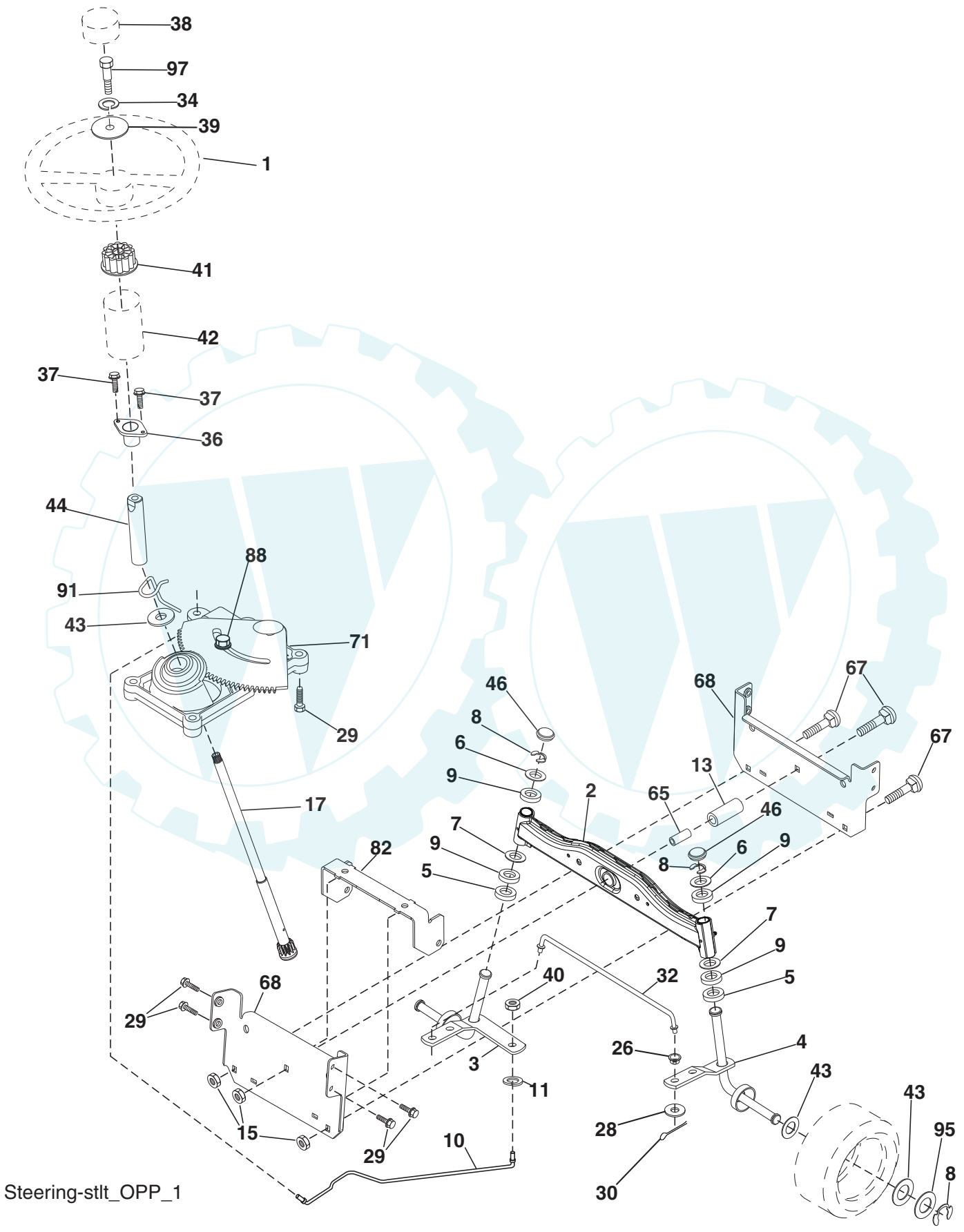
Briggs & Stratton                      1-800-233-3723

**Engine Power Rating Information**

The gross power rating for individual gas engine models is labeled in accordance with SAE (Society of Automotive Engineers) code J11940 (Small Engine Power & Torque Rating Procedure), and rating performance has been obtained and corrected in accordance with SAE J1995 (Revision 2002-5). Actual gross engine power will be lower and is affected by, among other things, ambient operating conditions and engine-to-engine variability. Given both the wide array of products on which engines are placed and the variety of environmental issues applicable to operating the equipment, the gas engine will not develop the rated gross power when used in a given piece of power equipment (actual "on-site" or net horsepower). This difference is due to a variety of factors including, but not limited to, accessories (air cleaner, exhaust, charging, cooling, carburetor, fuel pump, etc.), application limitations, ambient operating conditions (temperature, humidity, altitude), and engine-to-engine variability. Due to manufacturing and capacity limitations, Briggs & Stratton may substitute an engine of higher rated power for this Series engine.

TRACTOR - - MODEL NUMBER CO15538LT (96012007403), PRODUCT NO. 960 12 00-74  
STEERING

[www.ersatzteil-service.de](http://www.ersatzteil-service.de)



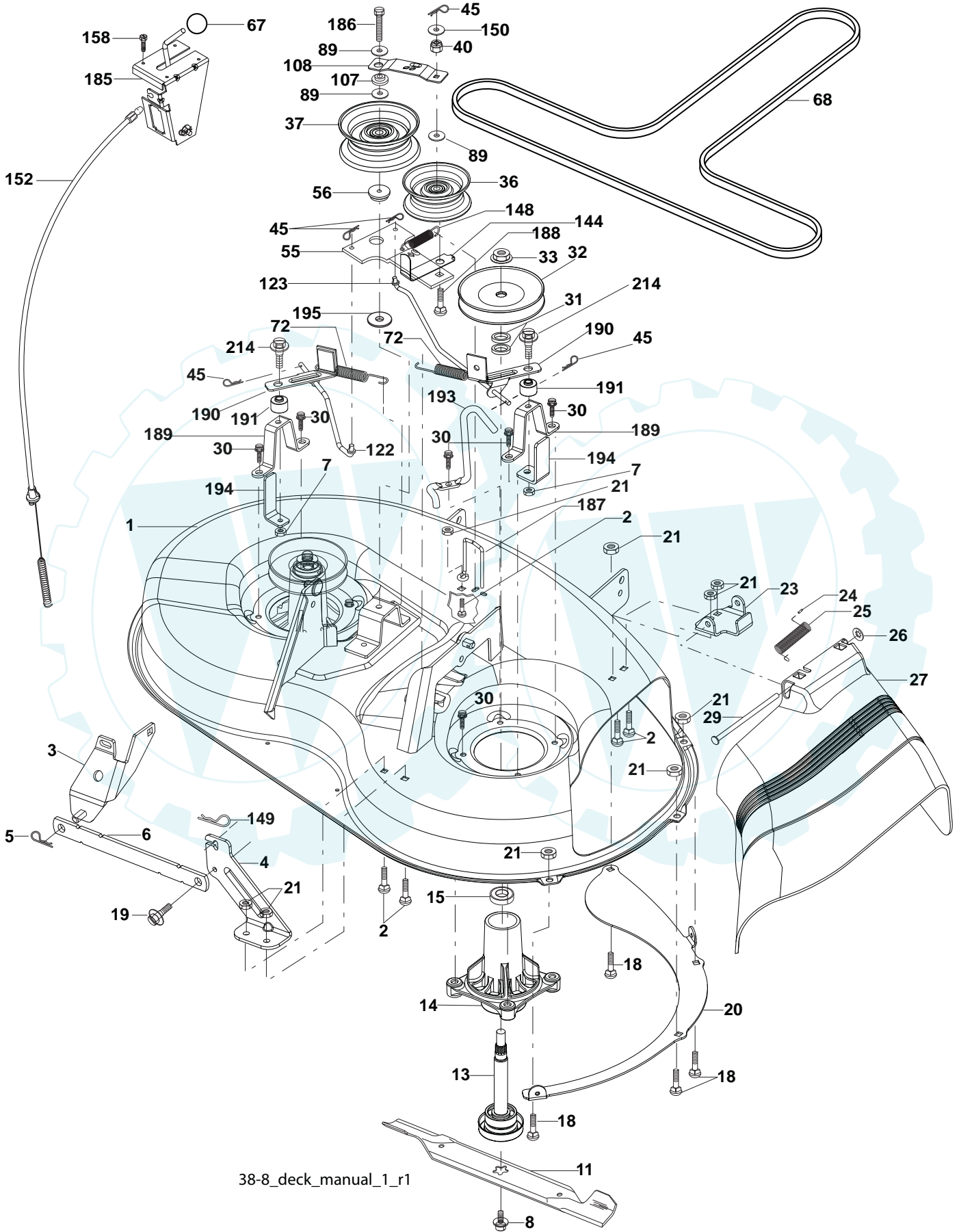
Steering-stlt OPP\_1

**TRACTOR - - MODEL NUMBER CO15538LT (96012007403), PRODUCT NO. 960 12 00-74  
STEERING**

KEY PART NO.	NO.	DESCRIPTION
1	532 18 67-80	Wheel Steering
2	532 41 81-68	Axle Asm
3	532 16 98-40	Spindle Asm LH
4	532 16 98-39	Spindle Asm RH
5	532 12 49-31	Bearing Race Thrust Harden
6	532 12 17-48	Washer 25/32 x 1-5/8 x 16 Ga.
7	819 27 20-16	Washer 27/32 x 1-1/4 x 16 Ga.
8	812 00 00-29	Ring Klip #t5304-75
9	532 12 49-37	Bearing Col Strg Blk
10	532 17 51-21	Link Drag
11	810 04 06-00	Washer Lock Hvy Hlcl Spr 3/8
13	532 13 65-18	Spacer earing Axle Front
15	532 14 52-12	Hexflange Lock
17	532 41 13-86	Shaft Asm Strg
26	532 12 68-47	Bushing Link Drag Blk LR
28	819 13 14-16	Washer 13/32 x 7/8 x 16 Ga.
29	817 00 06-12	Screw 3/8-16 x 3/4
30	876 02 04-12	Pin Cotter 1/8 x 3/4 Cad
32	532 19 27-57	Rod Tie Wire Form 19 75 Mech
34	810 04 05-00	Washer Lock Hvy Hlcl Spr 5/16
36	532 15 50-99	Bushing Strg 5/8 Id Dash
37	532 15 29-27	Screw
38	532 19 29-16	Cap Wheel Steer Ayp
39	819 11 38-12	Washer 11/32 ID x 2-3/8 OD x 12 Ga.
40	873 54 06-00	Nut Crownlock 3/8-24
41	532 18 67-37	Adaptor Wheel Strg
42	532 16 96-33	Boot Dash Mtl Steering Blk
43	532 12 17-49	Washer 25/32 x 1 1/4 x 16 Ga.
44	532 19 07-52	Extension Steering
46	532 12 12-32	Cap Spindle Fr Top Blk
65	532 41 47-36	Spacer Brace Axle
67	872 11 06-18	Bolt RDHD SQNK 3/8-16 x 2-1/4
68	532 16 98-27	Brace Axle
71	532 17 51-46	Steering Asm.
82	532 19 99-78	Bracket Susp Chassis Front
88	532 17 51-18	Bolt Shoulder 7/16-20
91	532 17 55-53	Clip Steering
95	532 18 89-67	Washer Harden .793 x 1.637 x 060
97	874 78 05-64	Bolt 5/16-18 unc x 4"L Hlcl Spr. 5/16

**NOTE:** All component dimensions given in U.S. inches  
1 inch = 25.4 mm.

TRACTOR - - MODEL NUMBER CO15538LT (96012007403), PRODUCT NO. 960 12 00-74  
MOWER DECK



38-8\_deck\_manual\_1\_r1

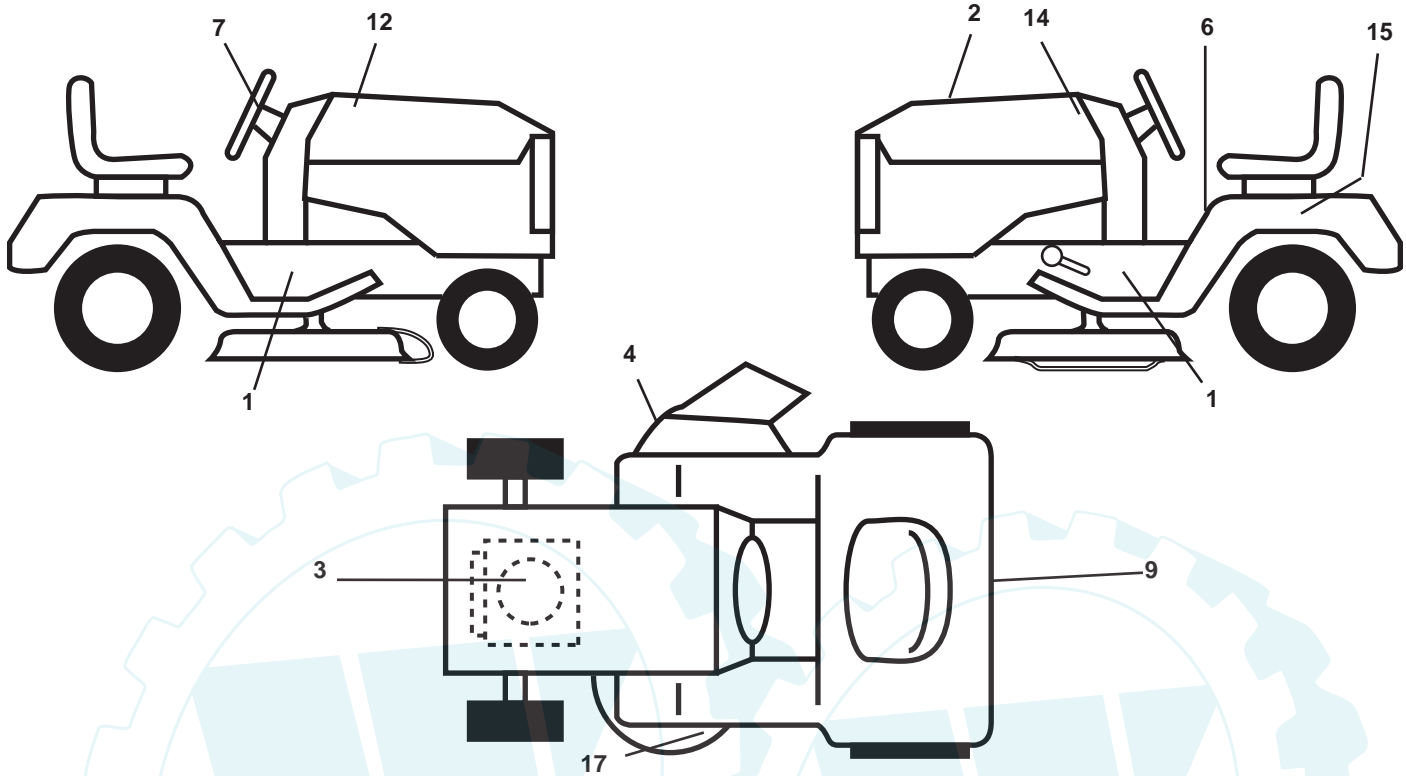
**TRACTOR - - MODEL NUMBER C015538LT (96012007403), PRODUCT NO. 960 12 00-74  
MOWER DECK**

KEY PART NO. NO.	DESCRIPTION	KEY PART NO. NO.	DESCRIPTION
1	532 19 25-56 Mower Housing Assembly	72	532 19 32-16 Spring Brake Return
2	872 14 05-06 Bolt Carriage 5/16-18 x 3/4	89	819 13 13-11 Washer 13/32 x 13/16 x 11 Ga.
3	532 13 80-17 Bracket Asm Fr. Sway Bar	107	532 13 35-02 Spacer Retainer
4	532 19 25-68 Bracket Deck Sway Bar 38"/42"	108	532 13 35-03 Stiffener, Idler Arm
5	532 12 46-70 Retainer Spring	122	532 41 01-89 Rod, Brake LH
6	532 17 80-24 Bar Sway Deck	123	532 41 01-90 Rod, Brake RH
7	873 80 05-00 Nut Lock 5/16 - 18 UNC	144	532 19 34-14 Keeper Belt Idler Tension
8	532 19 30-03 Bolt 3/8-24 x 1.25 Gr. 8	148	532 16 90-22 Spring Return Idler
11	532 19 39-57 Blade Mower Mulching	149	532 16 58-98 Retainer Spring Yellow
--	532 13 84-97 Hi Lift	150	819 09 12-10 Washer 9/32 x 3/4 x 10 Ga.
13	532 19 28-72 Shaft Assembly, Mandrel, Vented (Includes Key Number 6)	152	532 19 32-35 Clutch Cable 38"
14	532 18 72-81 Housing, Mandrel, Vented	158	817 72 04-08 Screw Hex Thd Cut 1/4-20 x 1/2
15	532 11 04-85 Bearing, Ball, Mandrel	185	532 18 82-34 Head Asm Cable Clutch
18	872 14 05-05 Blade Rdhd Sqnk 5/16-18 x 5/8	186	817 49 06-44 Screw Hex Wsh Thdrol 3/8-16x2-3/4
19	532 13 28-27 Bolt, Shoulder	187	532 19 34-12 Keeper Belt M Shape
20	532 40 00-95 Baffle Vortex Front	188	532 16 58-91 Bolt Carriage Idler
21	873 68 05-00 Nut	189	532 19 25-59 Brake Stand
23	532 19 25-57 Bracket, Mower Deflector	190	532 19 25-60 Brake Arm
24	532 10 53-04 Cap, Sleeve	191	532 19 25-61 Brake Spacer
25	532 19 70-26 Spring, Torsion, Deflector	193	532 19 34-13 Keeper Belt Rh Mandrel
26	532 11 04-52 Nut, Push	194	532 19 41-05 Brake Guard
27	532 19 39-68 Shield, Deflector	195	819 13 32-10 Washer 13/32 x 2 x 10 Ga.
29	532 13 14-91 Rod, Hinge	214	532 19 37-82 Bolt/Washer Asm.
30	532 17 39-84 Screw Thdrol.	--	532 19 25-58 Brake Assembly
31	532 18 76-90 Washer, Spacer	--	532 19 28-70 Mandrel Assembly (Includes housing, Shaft assembly, and bearing only - pulley/nut/washer and blade bolt/washers not included)
32	532 15 35-32 Pulley, Mandrel	--	532 19 36-46 Replacement Mower, Complete
33	532 40 02-34 Nut, Toplock		
36	532 13 14-94 Pulley, Idler, Flat		
37	532 19 31-98 Pulley, Idler Flat		
40	873 68 06-00 Nut, Crownlock 3/8-16 unc		
45	532 12 47-88 Retainer		
55	532 13 38-40 Idler Arm Assembly		
56	532 16 57-23 Spacer, Retainer		
67	532 10 69-32 Knob		
68	532 19 32-14 V-Belt		

**NOTE:** All component dimensions given in U.S. inches  
1 inch = 25.4 mm



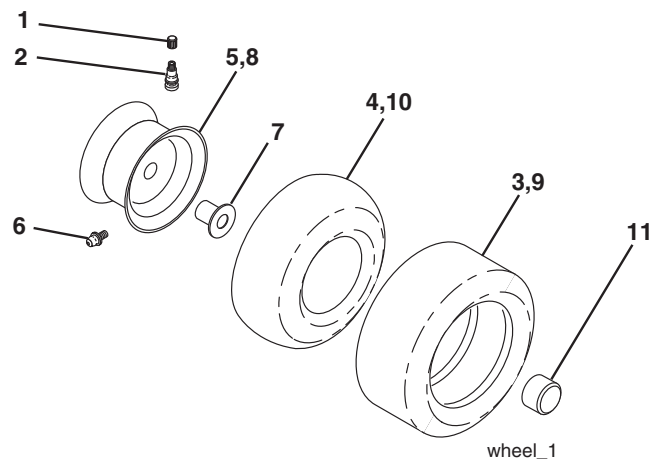
TRACTOR - - MODEL NUMBER CO15538LT (96012007403), PRODUCT NO. 960 12 00-74  
DECALS



KEY NO.	PART NO.	DESCRIPTION
1	532 40 20-77	Decal, Chassis 38"
2	<b>532 42 11-08</b>	Decal, Replacement
3	532 40 88-17	Decal, Engine HP
4	532 17 05-63	Decal Warning
6	532 41 16-58	Decal, Fender Warning
7	532 40 22-26	Decal Ins Str Wh
9	532 18 11-46	Decal Fender

KEY NO.	PART NO.	DESCRIPTION
12	532 41 24-90	Decal, Hood RH
14	532 41 24-91	Decal, Hood LH
15	532 14 50-05	Decal, Caution, Battery
17	532 19 43-02	Decal, V-Belt Sch.
--	532 13 83-11	Decal, Handle Lft Height Adj.
--	532 41 24-82	Manual, Operator's English/French
--	<b>532 42 19-01</b>	Manual, Parts English/French

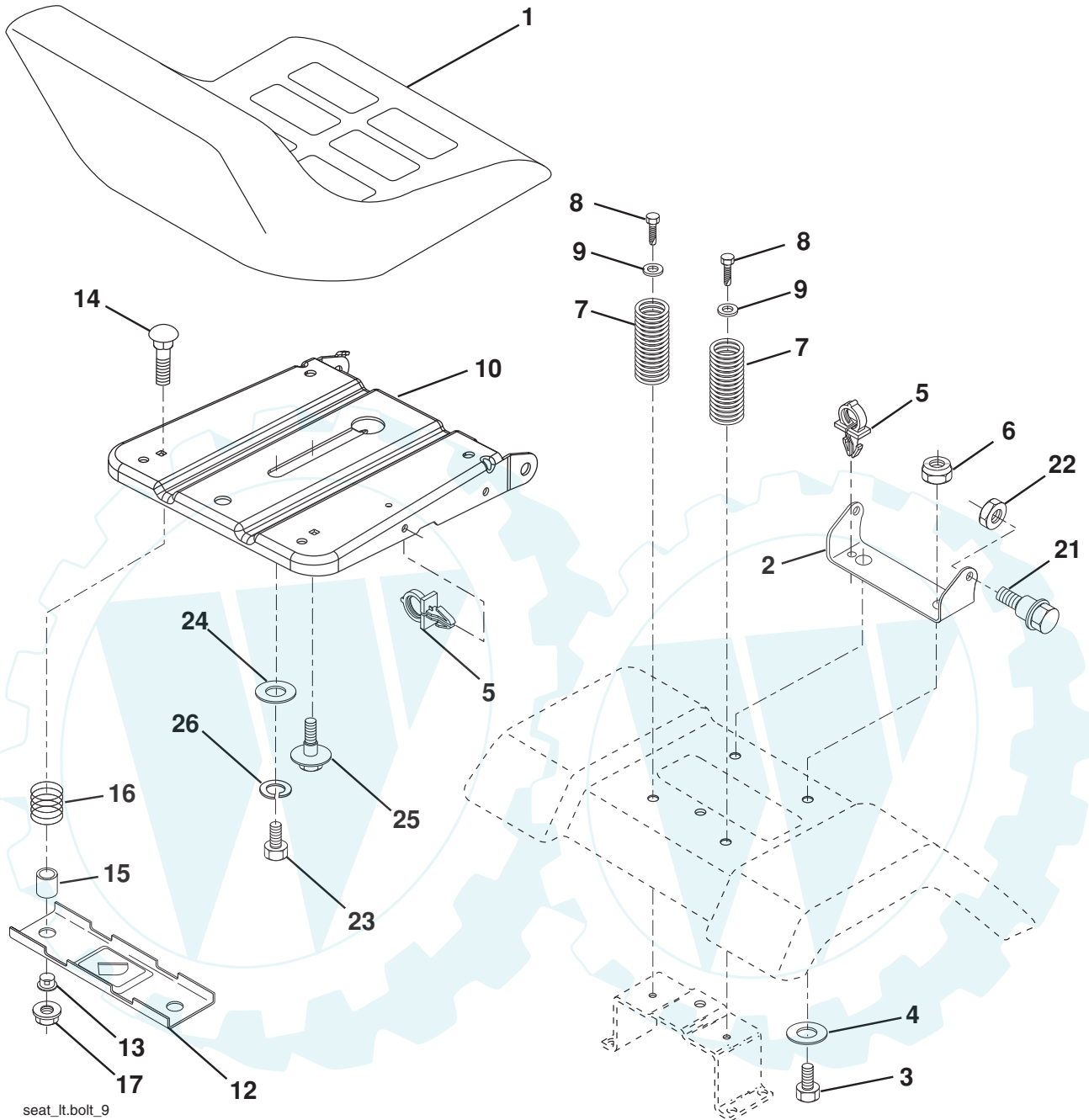
**WHEELS & TIRES**



KEY NO.	PART NO.	DESCRIPTION
1	532 05 91-92	Cap, Tire Valve
2	532 06 51-39	Stem, Valve
3	532 12 41-57	Tire, Front
4	532 05 99-04	Tube, Front (Service item only)
5	532 18 33-37	Rim assembly, 6"front
6	532 12 49-57	Fitting, Grease (Front wheel only)
7	532 12 49-59	Bearing, Flange (Front wheel only)
8	532 18 33-38	Rim assembly, 8" rear
9	532 12 39-69	Tire, Rear
10	532 12 49-26	Tube, Rear (Service item only)
11	532 17 50-39	Cap, Hub Axle
--	532 14 43-34	Sealant, Tire (10 oz. Tube)

**NOTE:** All component dimensions given in U.S. inches  
1 inch = 25.4 mm

TRACTOR - - MODEL NUMBER CO15538LT (96012007403), PRODUCT NO. 960 12 00-74  
SEAT



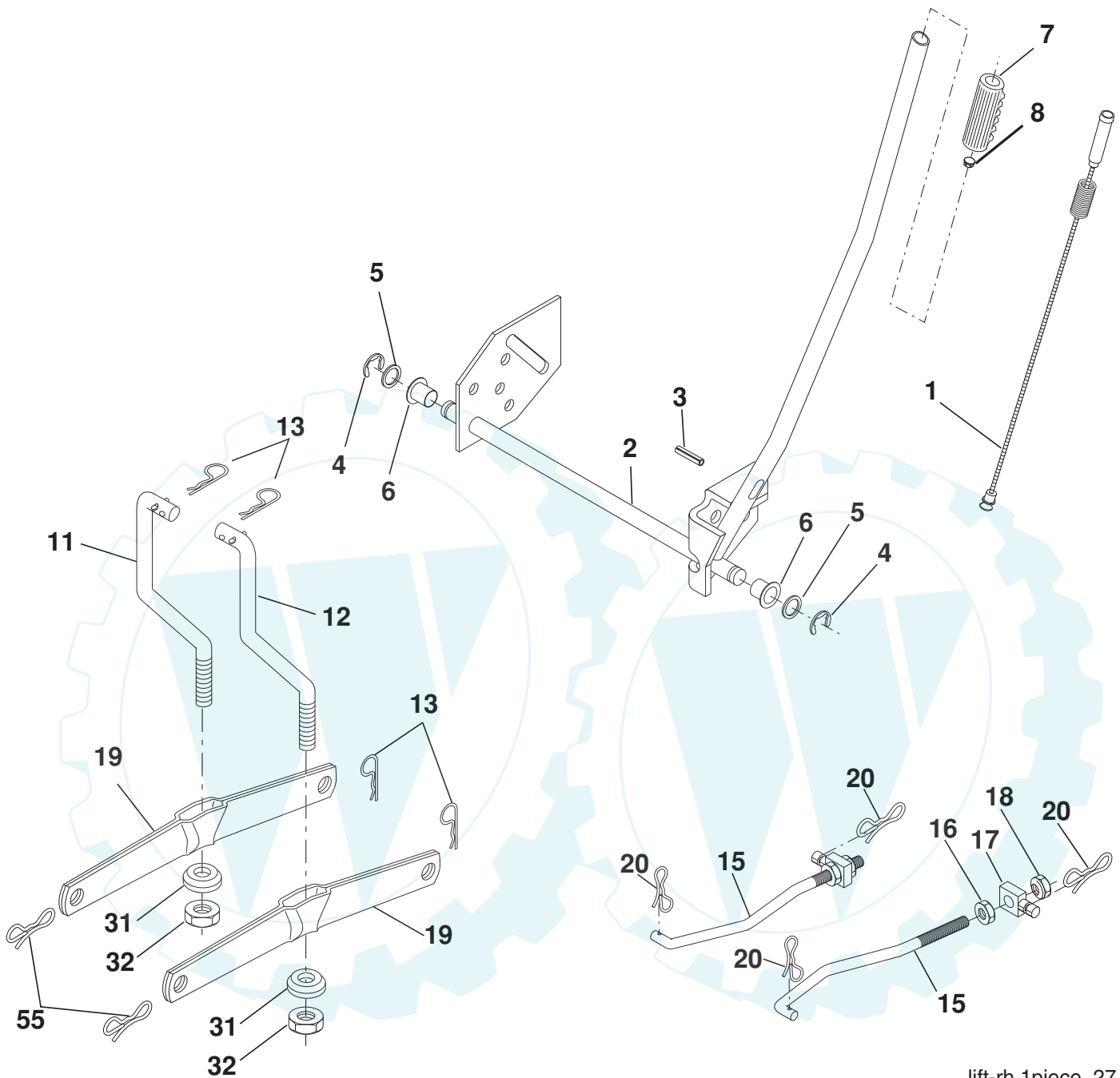
seat\_lt.bolt\_9

KEY PART NO.	NO.	DESCRIPTION
1	532 40 10-42	Seat
2	532 14 05-51	Bracket Seat Pivot
3	871 11 06-16	Bolt Hex 3/8 - 16 x 1
4	819 13 16-10	Washer 13/32 x 1 x10 Ga.
5	532 14 50-06	Clip Push-In Hinged
6	873 80 06-00	Nut Lock Hex w/Ins 3/8 - 16
7	532 12 41-81	Spring Seat Cprsn 2 250 Blk Zi
8	817 00 06-16	Screw 3/8-16 x 1.5
9	819 13 16-14	Washer 13/32 x 1 x 14 Ga.
10	532 19 55-30	Pan Asm. Seat
12	532 17 46-48	Bracket Pnt Mounting Switch
13	532 12 12-48	Bushing Snap Blk Nyl

KEY PART NO.	NO.	DESCRIPTION
14	872 05 04-12	Bolt Rdhd Sht Nk 1/4 - 20 x 1 -1/2
15	532 13 43-00	Spacer Split .28 x .96
16	532 12 12-50	Spring Cprsn
17	532 12 39-76	Nut Lock 1/4 Lge Flg
21	532 17 18-52	Bolt Shoulder 5/16-18 unc-2A
22	873 80 05-00	Nut Lock Hex w/Ins 5/16 - 18
23	871 11 08-14	Bolt Hex
24	819 17 19-12	Washer 17/32 x 1-3/16 x 12 Ga.
25	532 12 70-18	Bolt Shoulder 5/16-18 x .62
26	810 04 08-00	Washer Lock Hvy Hlcl Spr 1/2

**NOTE:** All component dimensions given in U.S. inches  
1 inch = 25.4 mm.

TRACTOR - - MODEL NUMBER CO15538LT (96012007403), PRODUCT NO. 960 12 00-74  
MOWER LIFT



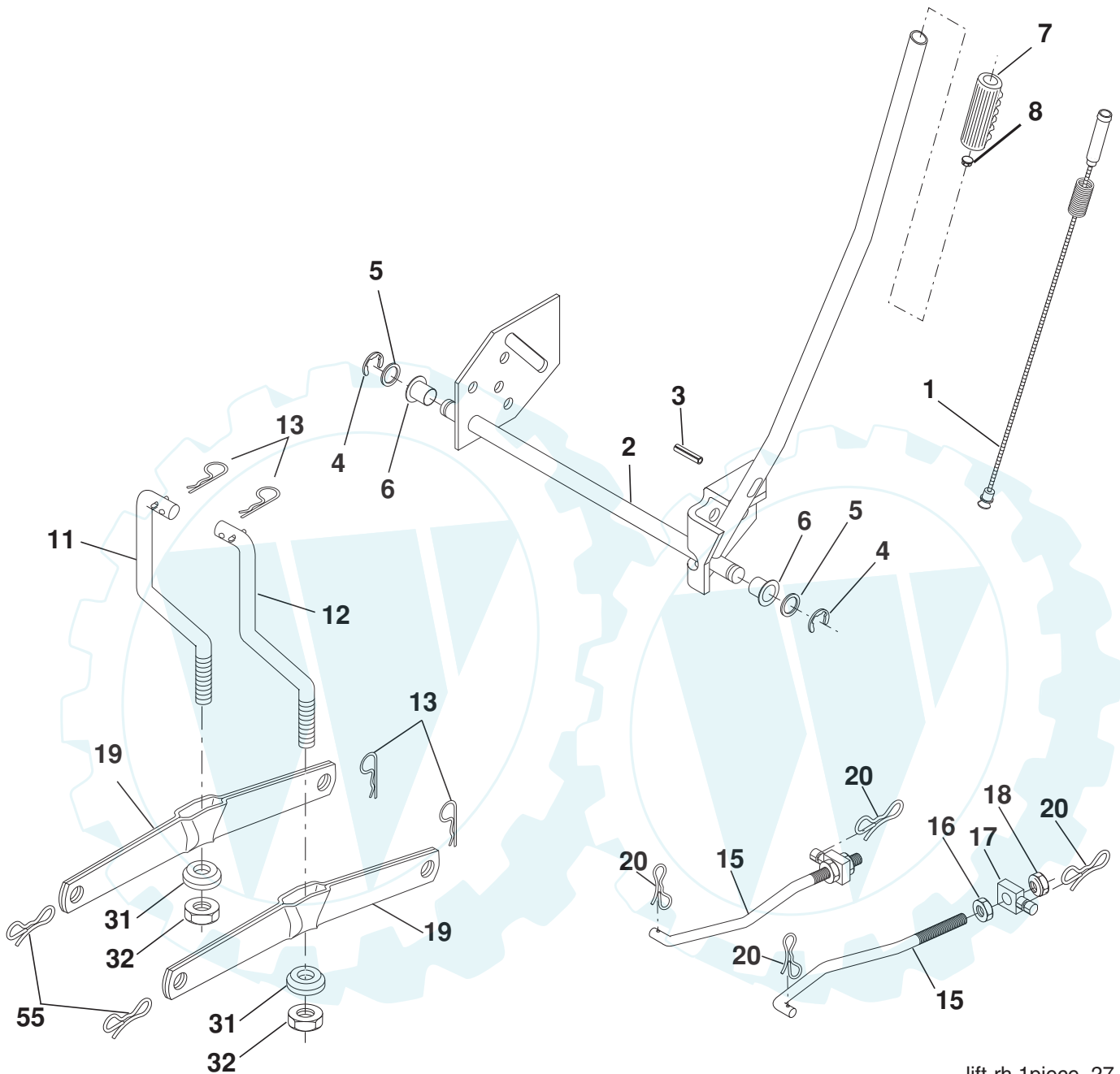
lift-rh.1piece\_27

KEY NO.	PART NO.	DESCRIPTION
1	532 40 49-81	Plunger Asm Lift Lever
2	532 15 94-71	Shaft Asm Lift RH
3	532 10 57-67	Pin Groove 1 500 Zinc
4	812 00 00-02	E Ring #5133-62
5	819 21 16-21	Washer 21/32 x 1 x 21 Ga.
6	532 12 01-83	Bearing Nylon Blk 629 Id
7	532 10 94-13	Grip Handle Bicycle Matte Blk
8	532 12 45-26	Button Plunger Black
11	532 13 98-65	Link Lift LH Fixed Length
12	532 13 98-66	Link Lift RH Fixed Length
13	532 12 46-70	Retainer Spring

KEY NO.	PART NO.	DESCRIPTION
15	532 17 32-88	Link Front
16	873 35 08-00	Nut Jam Hex 1/2-13 unc
17	532 17 56-89	Trunnion
18	873 80 08-00	Nut Lockw/Wsh 1/2-13 unc
19	532 13 98-68	Arm Suspension Rear
20	532 19 42-09	Pin Cotter 7/16 Bow Tie Lock
31	532 16 98-65	Bearing Pvt Lift
32	873 54 06-00	Nut Crownlock 3/8-24
55	532 19 42-08	Pin Cotter 5/16 Bow Tie Lock

**NOTE:** All component dimensions given in U.S. inches  
1 inch = 25.4 mm.

TRACTEUR - - NO. DE MODÈLE [www.ersatzteil-service.de](http://www.ersatzteil-service.de) (96012007403), NO. DE PRODUIT 960 12 00-74  
LEVAGE DE TONDEUSE



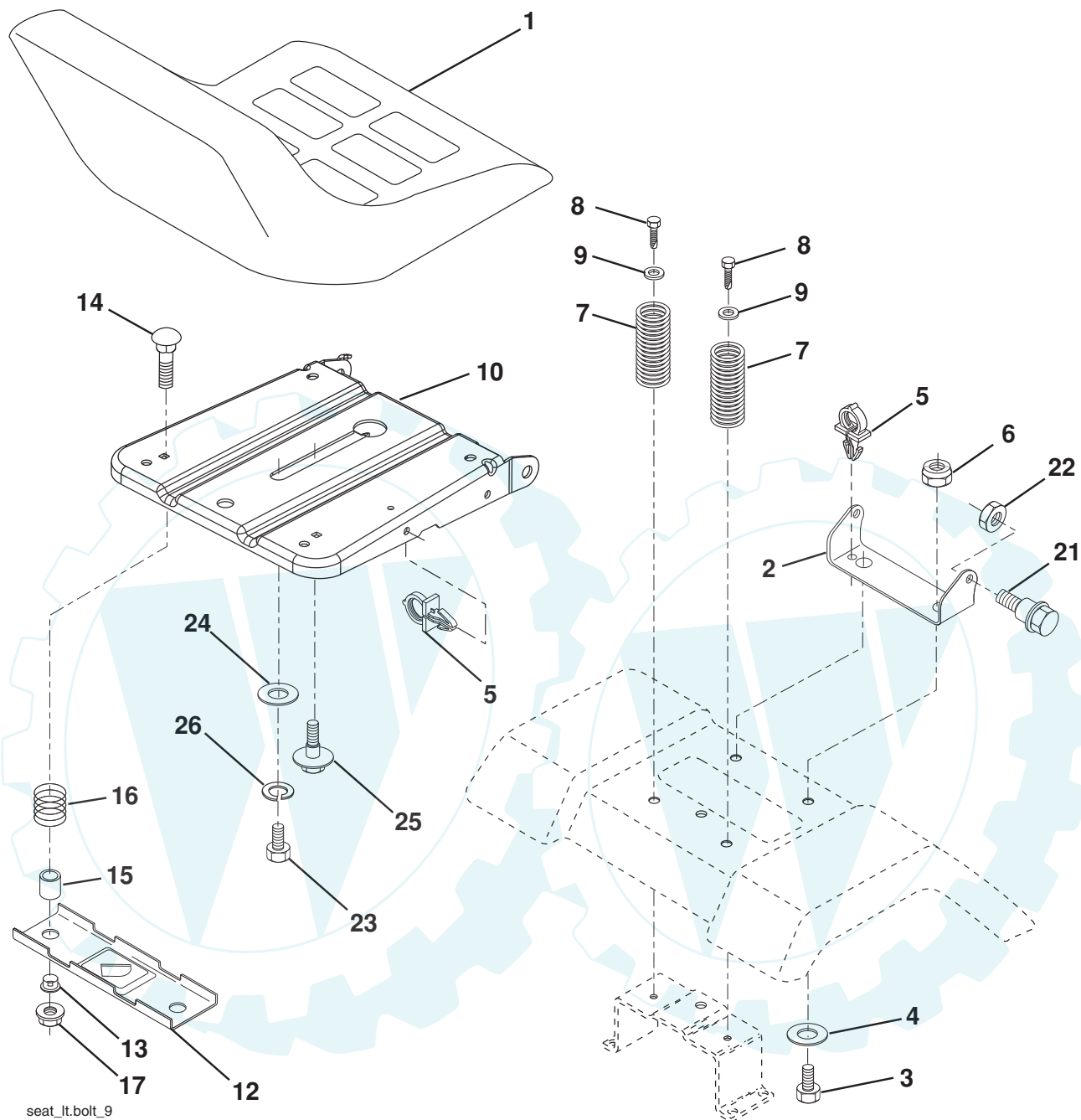
lift-rh.1piece\_27

NO. DE RÉF.	NO. DE PIÈCE	DESCRIPTION
1	532 40 49-81	Ensemble du plongeur, levier du levage
2	532 15 94-71	Ensemble de l'arbre de levage
3	532 10 57-67	Goupille cannelée
4	812 00 00-02	Bague en E n°5133-62
5	819 21 16-21	Rondelle 21/32 x 1 x 21 Ja.
6	532 12 01-83	Palier en Nylon
7	532 10 94-13	Poignée cannelée du levier
8	532 12 45-26	Bouton de plongeur
11	532 13 98-65	Raccord de levage C.G.
12	532 13 98-66	Raccord de levage C.D.
13	532 12 46-70	Ressort de retenue
15	532 17 32-88	Raccord antérieur

NO. DE RÉF.	NO. DE PIÈCE	DESCRIPTION
16	873 35 08-00	Contre-écrou 1/2-13 unc
17	532 17 56-89	Tourillon
18	873 80 08-00	Écrou frein 1/2-13 unc
19	532 13 98-68	Bras de suspension arrière
20	532 19 42-09	Goupille fendue 7/16
31	532 16 98-65	Palier de pivot de levage
32	873 54 06-00	Écrou auto-serrant 3/8-24
55	532 19 42-08	Goupille fendue 5/16

**REMARQUE:** Toutes les dimensions de composant sont données en pouces É.-U. - - 1 pouce = 25,4 mm.

TRACTEUR -- NO. DE MODÈLE C015538LT (96012007403), NO. DE PRODUIT 960 12 00-74  
ENSEMBLE DU SIÈGE

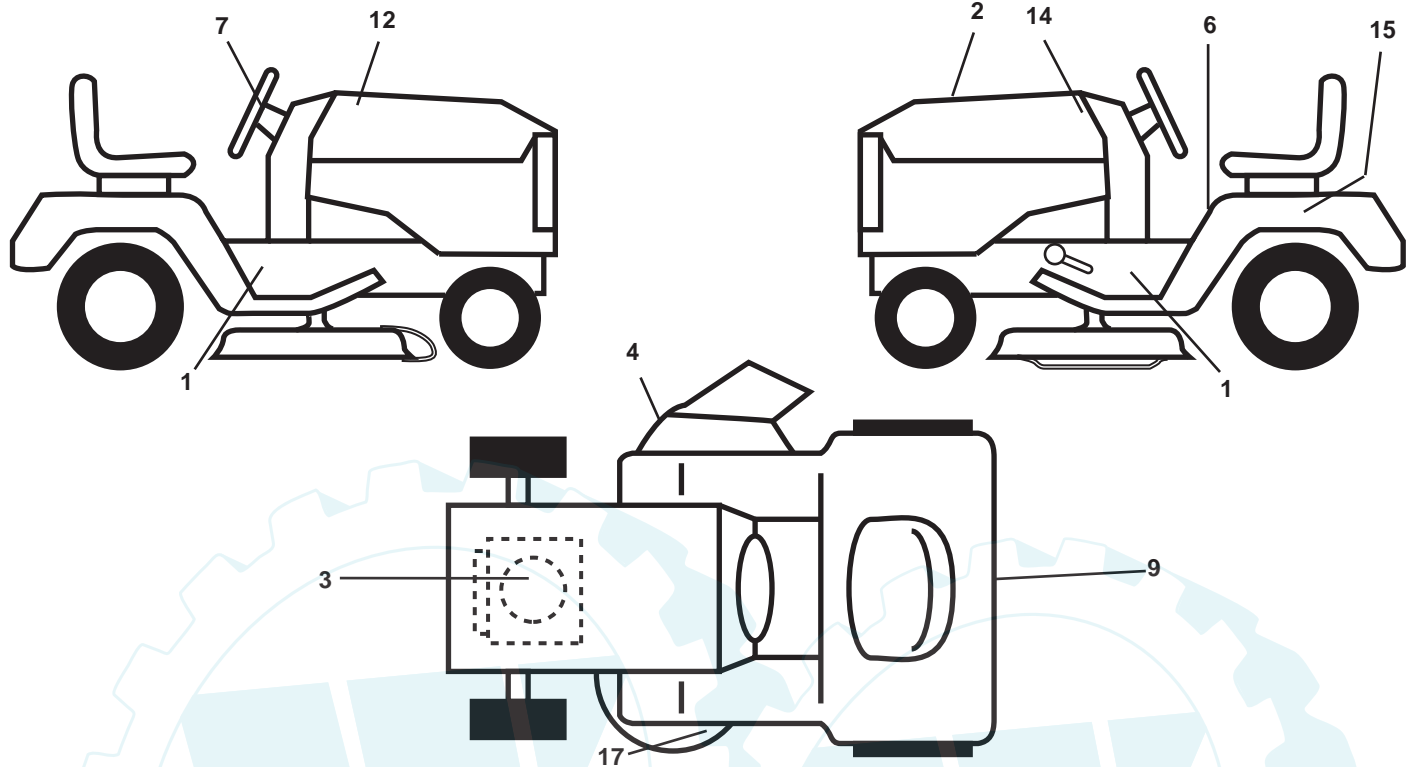


seat\_lt.bolt\_9

NO. DE RÉF.	NO. DE PIÈCE	DESCRIPTION
1	532 40 10-42	Siège
2	532 14 05-51	Support de pivot de siège
3	871 11 06-16	Boulon
4	819 13 16-10	Rondelle 13/32 x 3/4 x 10 Ja.
5	532 14 50-06	Collier pressé
6	873 80 06-00	Écrou
7	532 12 41-81	Ressort de compression de siège
8	817 00 06-16	Vis 3/8-16 x 1.5
9	819 13 16-14	Rondelle 13/32 x 1 x 14 Ja.
10	532 19 55-30	Cuvette de siège
12	532 17 46-48	Support de montage de l'interrupteur
13	532 12 12-48	Douille de bouton-pression

NO. DE RÉF.	NO. DE PIÈCE	DESCRIPTION
14	872 05 04-12	Boulon de chariot 1/4-20 x 1-1/2
15	532 13 43-00	Entretoise fendue
16	532 12 12-50	Ressort de compression
17	532 12 39-76	Écrou frein à bride grande 1/4 Cat. 5
21	532 17 18-52	Boulon à épaulement 5/16-18 unc-2A
22	873 80 05-00	Écrou
23	871 11 08-14	Boulon
24	819 17 19-12	Rondelle 17/32 x 1-3/16 x 12 Ja.
25	532 12 70-18	Boulon à épaulement 5/16-18 x 62
26	810 04 08-00	Rondelle frein

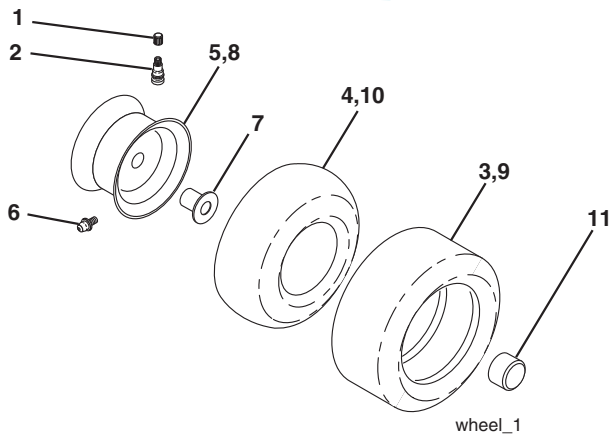
**REMARQUE:** Toutes les dimensions de composant sont données en pouces E.-U. -- 1 pouce = 25,4 mm.



NO. DE RÉF.	NO. DE PIÈCE	DESCRIPTION
1	532 40 20-77	Décalcomanie Châssis 38"
2	<b>532 42 11-08</b>	Décalcomanie Remplacer
3	532 40 88-17	Décalcomanie de C.V. du moteur
4	532 17 05-63	Décalcomanie d'avertissement
6	532 41 16-58	Décalcomanie d'avertissement
7	532 40 22-26	Décalcomanie, l'insert du volant de direction
9	532 18 11-46	Décalcomanie de l'aile

NO. DE RÉF.	NO. DE PIÈCE	DESCRIPTION
12	532 41 24-90	Décalcomanie de capot C.D.
14	532 41 24-91	Décalcomanie de capot C.G.
15	532 14 50-05	Décalcomanie de danger/poison du batterie
17	532 19 43-02	Décalcomanie. de schéma de courroie
--	532 13 83-11	Décalcomanie de poignée de levage
--	532 41 24-82	Manuel du propriétaire (anglais/français)
--	<b>532 42 19-01</b>	Manuel du pièces (anglais/français)

## ROUES & PNEUS



NO. DE RÉF.	NO. DE PIÈCE	DESCRIPTION
1	532 05 91-92	Capuchon de valve de pneu
2	532 06 51-39	Tubulure de valve
3	532 12 41-57	Pneu antérieur
4	532 05 99-04	Chambre à air antérieure (non fournie)
5	532 18 33-37	Ensemble de la jante antérieure 6 po.
6	532 12 49-57	Graisseur (roue antérieure seulement)
7	532 12 49-59	Palier à bride (roue antérieure seulement)
8	532 18 33-38	Ensemble de la jante arrière 8 po.
9	532 12 39-69	Pneu arrière
10	532 12 49-26	Chambre à air arrière (non fournie)
11	532 17 50-39	Capuchon de l'essieu
--	532 14 43-34	Joint d'étanchéité de pneu (tube de .30L)

**REMARQUE:** Toutes les dimensions de composant sont données en pouces E.-U. -- 1 pouce = 25,4 mm.

TRACTEUR - - NO. DE MODÈLE [www.ersatzteil-service.de](http://www.ersatzteil-service.de) (96012007403), NO. DE PRODUIT 960 12 00-74  
CARTER DE TONDEUSE

NO. DE RÉF.	NO. DE PIÈCE	DESCRIPTION	NO. DE RÉF.	NO. DE PIÈCE	DESCRIPTION
1	532 19 25-56	Ensemble du carter	72	532 19 32-16	Ressort de rappel du frein
2	872 14 05-06	Boulon de chariot 5/16-18 unc x 3/4	89	819 13 13-11	Rondelle 13/32 x 13/16 x 11 Ja.
3	532 13 80-17	Support de l'ensemble de la barre de non mouvement antérieure	107	532 13 35-02	Ressort de retenue
4	532 19 25-68	Support de l'ensemble de la barre de non mouvement du carter	108	532 13 35-03	Bras du galet-tendeur du raidisseur
5	532 12 46-70	Ressort de retenue	122	532 41 01-89	Tige du frein C.G.
6	532 17 80-24	Bras de suspension	123	532 41 01-90	Tige du frein C.D.
7	873 80 05-00	Écrou auto-bloquant 5/16 - 18 UNC	144	532 19 34-14	Guide-courroie du galet-tendeur
8	532 19 30-03	Boulon 3/8-24 x 1,25 Cat. 8	148	532 16 90-22	Ressort de retenue
11	532 19 39-57	Lame de broyeuse	149	532 16 58-98	Ressort de retenue
--	532 13 84-97	Lame de tondeuse	150	819 09 12-10	Rondelle 9/32 x 3/4 x 10 Ja.
13	532 19 28-72	Ensemble de l'arbre avec palier inférieur	152	532 19 32-35	Câble d'embrayage
14	532 18 72-81	Boîtier du mandrin ventilé	158	817 72 04-08	Vis 1/4-20 x 1/2
15	532 11 04-85	Roulement à billes du mandrin	185	532 18 82-34	Câble
19	532 13 28-27	Boulon à épaulement	186	817 49 06-44	Vis 3/8-16 x 2-3/4
20	532 40 00-95	Chicane	187	532 19 34-12	Guide-courroie
21	873 68 05-00	Écrou auto-serrant 5/16-18 unc	188	532 16 58-91	Boulon
23	532 19 25-57	Support du déflecteur de la tondeuse	189	532 19 25-59	Support
24	532 10 53-04	Chapeau du manchon 80 x 112	190	532 19 25-60	Levier de frein
25	532 19 70-26	Ressort de torsion du déflecteur	191	532 19 25-61	Entretoise
26	532 11 04-52	Rondelle frein	193	532 19 34-13	Guide-Courroie
27	532 19 39-68	Déflecteur de décharge	194	532 19 41-05	Protection
29	532 13 14-91	Tige de charnière	195	819 13 32-10	Rondelle 13/32 x 2 x 10 Ja.
30	532 17 39-84	Vis	214	532 19 37-82	Ensemble du Boulon/Rondelle
31	532 18 76-90	Rondelle d'entretoise de tondeuse	--	532 19 25-58	Ensemble du frein
32	532 15 35-32	Poulie du mandrin	--	532 19 28-70	Ensemble du mandrin (Inclut boîtier, ensemble arbe, et palier seulement - poulie /écrou / rondelle et lame, boulon /rondelle ne pas inclut)
33	532 40 02-34	Écrou frein à bride en haut	--	532 19 36-46	Carter de tondeuse complete
36	532 13 14-94	Poulie du galet-tendeur plat 3 060			
37	532 19 31-98	Poulie du galet-tendeur plat			
40	873 68 06-00	Écrou auto-serrant 3/8-16 unc			
45	532 12 47-88	Ressort de retenue			
55	532 13 38-40	Bras du galet-tendeur			
56	532 16 57-23	Entretoise de retenue			
67	532 10 69-32	Bouton			
68	532 19 32-14	Courroie trapézoïdale de tondeuse			

**REMARQUE:** Toutes les dimensions de composant sont données en pouces É.U. --1 pouce = 25,4 mm.



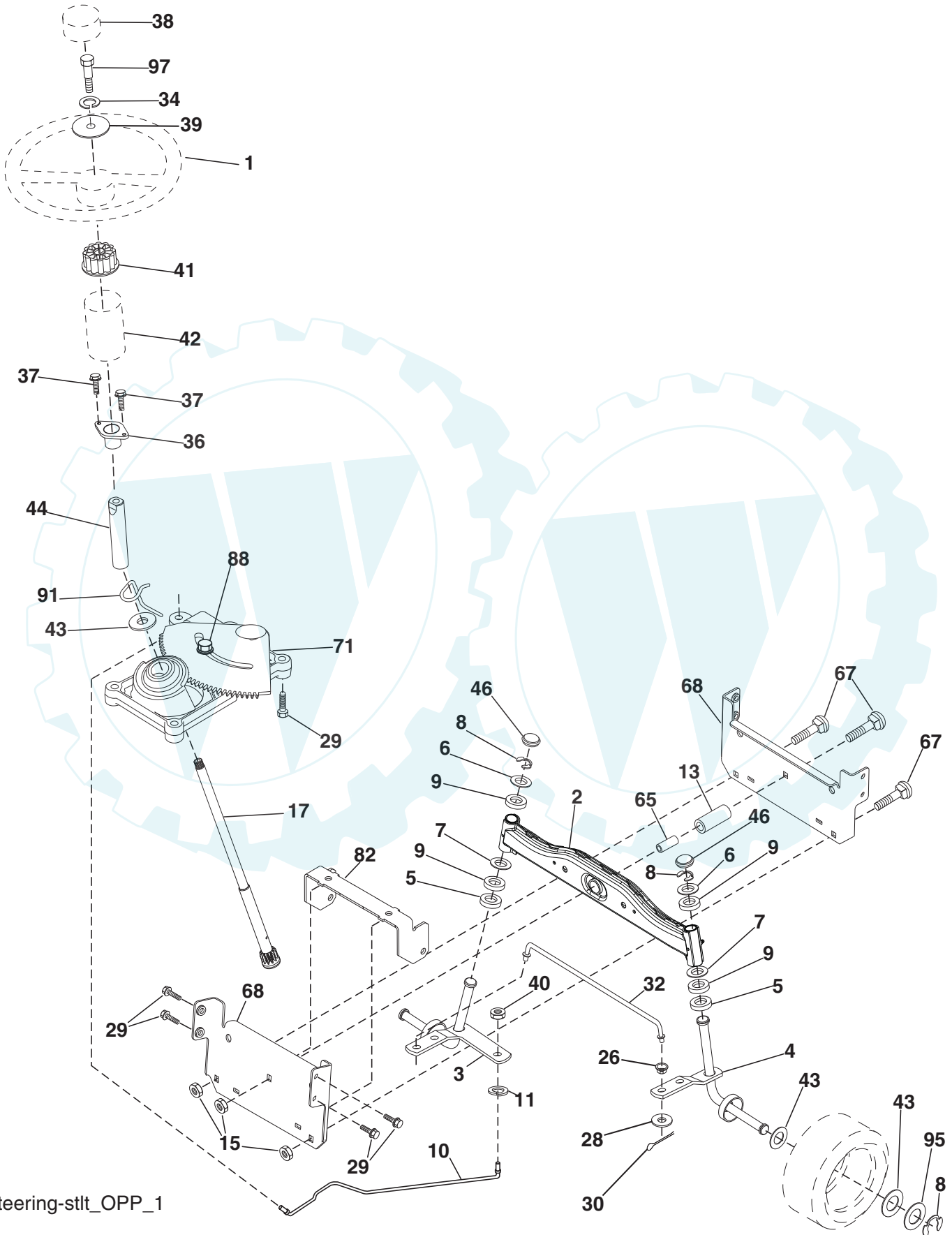


TRACTEUR - - NO. DE MODÈLE [www.ersatzteil-service.de](http://www.ersatzteil-service.de) (96012007403), NO. DE PRODUIT 960 12 00-74  
ENSEMBLE DE LA DIRECTION

NO. DE RÉF.	NO. DE PIÈCE	DESCRIPTION
1	532 18 67-80	Volant de direction
2	532 41 81-68	Ensemble d'essieu antérieur
3	532 16 98-40	Ensemble de broche C.G
4	532 16 98-39	Ensemble de broche C.D.
5	532 12 49-31	Palier de butée
6	532 12 17-48	Rondelle 25/32 x 1 5/8 x 16 Ja.
7	819 27 20-16	Rondelle 27/32 x 1-1/4 x 16 Ja.
8	812 00 00-29	Rondelle clip
9	532 12 49-37	Palier de colonne de direction
10	532 17 51-21	Barre de direction
11	810 04 06-00	Rondelle frein
13	532 13 65-18	Entretoise
15	532 14 52-12	Écrou frein à collet
17	532 41 13-86	Ensemble de l'arbre de direction
26	532 12 68-47	Douille de barre d'accouplement
28	819 13 14-16	Rondelle 13/32 x 7/8 x 16 Ja.
29	817 00 06-12	Vis 3/8-16 x 3/4
30	876 02 04-12	Goupille
32	532 19 27-57	Barre d'accouplement
34	810 04 05-00	Rondelle 5/16
36	532 15 50-99	Douille de direction
37	532 15 29-27	Vis à chapeau n°10-32 x 4 x 3/8
38	532 19 29-16	Insert de chapeau du volant de direction
39	819 11 38-12	Rondelle 11/32 ID x 2-3/8 OD x 12 Ja.
40	873 54 06-00	Écrou auto-serrant 3/8-24
41	532 18 67-37	Adaptateur du volant de direction
42	532 16 96-33	Manchon de l'arbre de direction
43	532 12 17-49	Rondelle 25/32 x 1 1/4 x 16 Ja.
44	532 19 07-52	Direction de rallongement
46	532 12 12-32	Chapeau de broche
65	532 41 47-36	Essieu d'entretoise
67	872 11 06-18	Boulon 3/8-16 x 2-1/4
68	532 16 98-27	Moise
71	532 17 51-46	Ensemble de direction
82	532 19 99-78	Support
88	532 17 51-18	Boulon 7/16-20
91	532 17 55-53	Pince
95	532 18 89-67	Rondelle .793 x 1.637 x 060
97	874 78 05-64	Boulon 5/16-18 unc x 4"L Cat. 5

**REMARQUE:** Toutes les dimensions de composant sont données en pouces E.-U. -- 1 pouce = 25,4 mm.

TRACTEUR - - NO. DE MODÈLE [www.ersatzteil-service.de](http://www.ersatzteil-service.de) (96012007403), NO. DE PRODUIT 960 12 00-74  
 ENSEMBLE DE LA DIRECTION



Steering-stlt\_OPP\_1

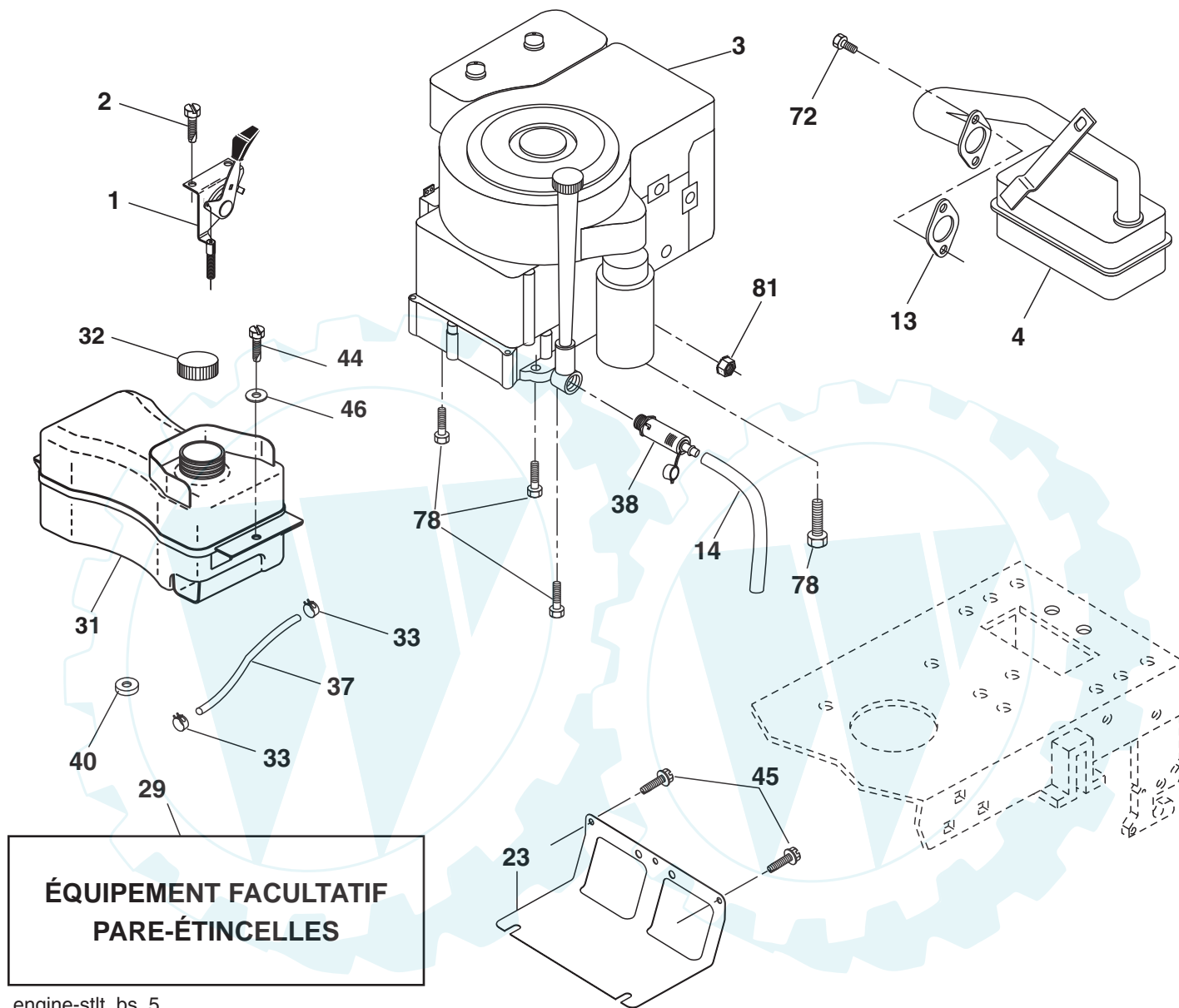
**TRACTEUR - - NO. DE MODÈLE CO15538LT (96012007403), NO. DE PRODUIT 960 12 00-74 MOTEUR**

NO. DE RÉF.	NO. DE PIÈCE	DESCRIPTION
1	532 17 05-51	Commande des gaz
2	817 72 04-08	Vis taraudée 1/4-20 x 1/2
3	-----	Moteur Briggs-No. de modèle 31A607 (Commandez les pièces par suite du fabricant du moteur)
4	532 13 73-52	Silencieux d'échappement
13	532 16 52-91	Garniture
14	532 14 84-56	Tuyau
23	532 16 98-37	Pare-chaueur
29	532 13 71-80	Pare-étincelles
31	532 40 75-16	Réservoir d'essence
32	532 19 77-25	Bouchon de réservoir d'essence
33	532 12 34-87	Bride de serrage du tuyau
37	532 40 11-37	Conduite d'essence-20 po.
38	532 18 16-54	Bouchon de vidange d'huile
40	532 12 40-28	Douille de bouton-pression
44	817 67 04-12	Vis à tête rondelle à filets laminés 1/4-20 x 3/4
45	817 00 06-12	Vis 3/8-16
46	819 09 14-16	Rondelle 9/32 x 7/8 x 16 Ja.
72	532 19 23-34	Vis 5/16-18 x .75
78	817 06 06-20	Vis 3/8-16 x 1-1/4
81	873 51 04-00	Écrou 1/4-20 unc

**REMARQUE:** Toutes les dimensions de composant sont données en pouces É.-U. —1 pouce = 25,4 mm.  
 Pour des pièces de service et de rechange de moteur, réclamez le numéro de téléphone libre pour votre fabricant de moteur énuméré ci-dessous:  
 Briggs & Stratton 1-800-233-3723

**L'Information de Classement de Pouvoir de moteur**

Le pouvoir brut évaluant pour les modèles de moteur de gaz individuels est conformément étiqueté à SAE (la Société d'Ingénieurs Automoteurs) le code J11940 (le Petit Pouvoir de Moteur & le Moment de torsion Evaluant la Procédure), et l'exécution de classement a été obtenue et a été corrigée conformément à SAE J1995 (la Révision 2002-5). Le véritable pouvoir de moteur brut sera plus bas et est affecté par, entre autres choses, les conditions d'opération ambiants et le moteur-à-la variabilité de moteur. Donné les deux le tableau large de produits sur lesquels moteurs est placé et la variété de problèmes écologiques applicables à l'opération de l'équipement, le moteur de gaz ne développera pas le pouvoir de grosse évalué quand utilisé dans un morceau donné d'équipement de pouvoir (la puissance véritable, « sur place » ou nette). Cette différence est en raison d'une assortiment de facteurs inclut, mais pas limité à, les accessoires (le nettoyeur d'air, l'échappement, charger, le refroidissement, le carburateur, la pompe de carburant, etc.), les limitations d'application, les conditions d'opération ambiantes (la température, l'humidité, l'altitude), et le moteur-à-la variabilité de moteur. En raison des limitations de fabrication et capacité, Briggs & Stratton peut substituer un moteur de plus haut pouvoir évalué pour ce moteur de Feuilleton.

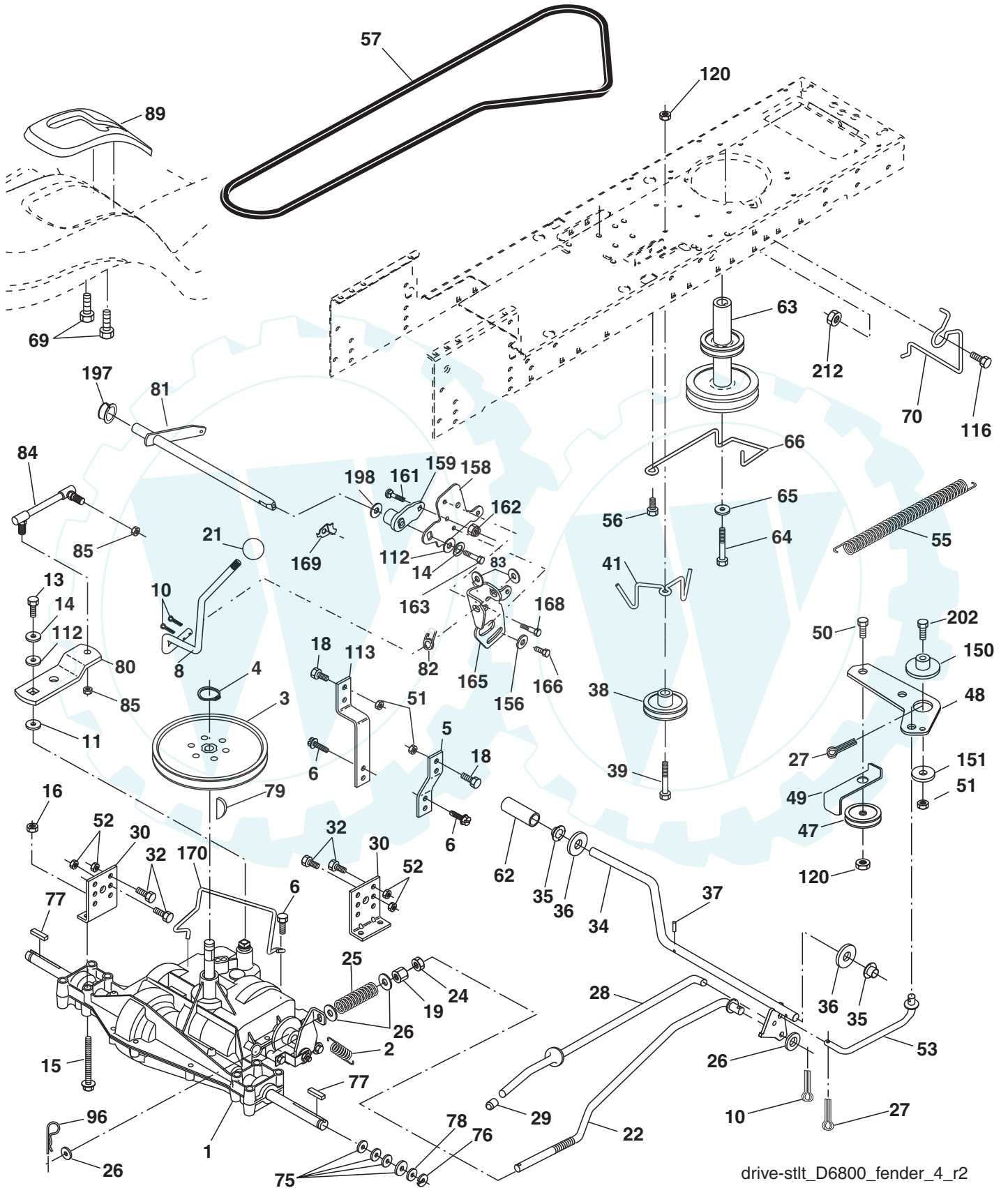


engine-stlt\_bs\_5

TRACTEUR - - NO. DE MODÈLE [www.ersatzteil-service.de](http://www.ersatzteil-service.de) (96012007403), NO. DE PRODUIT 960 12 00-74  
 ENTRAÎNEMENT

NO. DE RÉF.	NO. DE PIÈCE	DESCRIPTION	NO. DE RÉF.	NO. DE PIÈCE	DESCRIPTION
1	---	Transmission DANA D6800-5 (Commandez les pièces par suite du fabricant du la transmission)	66	532 15 47-78	Guide-courroie C.G. du moteur
			69	532 14 24-32	Vis
			70	532 13 46-83	Guide-courroie de l'entraînement de tondeuse C.D.
2	532 14 66-82	Ressort de rappel du frein	75	532 12 17-49	Rondelle 25/32 x 1-1/4 x 16 Ja.
3	532 12 36-66	Poulie de la transmission des pneus de 18"	76	812 00 00-01	Bague en E n°5133-75
4	812 00 00-28	Bague de fermeture n°5100-62	77	532 12 35-83	Clé carrée 2 0 x 1845/ 1865
5	532 12 15-20	Attache de torsion	78	532 12 17-48	Rondelle 25/32 x 1-5/8 x 16 Ja.
6	817 06 05-12	Vis 5/16-18 x .75	79	532 12 50-96	Clé woodruff #9 3/16 x 3/4
8	532 19 27-06	Tige du changement de vitesse	80	<b>532 13 14-88</b>	Bras de changement
10	876 02 04-16	Goupille fendue 1/8 x 1	81	532 16 55-94	Ensemble de l'arbre
11	532 10 57-01	Rondelle bombée	82	532 16 57-11	Ressort de torsion
13	874 55 04-12	Boulon 1/4-28 Unf Cat. 9	83	819 17 12-16	Rondelle 17/32 x 3/4 x 16 Ja.
14	810 04 04-00	Rondelle frein hélicoïdale 1/4	84	<b>532 16 62-29</b>	Raccord
15	874 49 05-44	Boulon 5/16-18 Cat. 5	85	532 15 03-60	Écrou frein central 1/4-28
16	873 80 05-00	Écrou frein	89	532 19 58-61	Panneau du levier de changement
18	874 78 06-16	Boulon 3/8-16 unc x 1 Cat. 5	96	532 12 47-88	Ressort de retenue
19	873 80 06-00	Écrou frein avec insert 3/8-16 unc	112	819 09 12-10	Rondelle 9/32 x 3/4 x 10 Ja.
21	532 10 69-33	Bouton	113	532 12 72-85	Attache de torsion
22	532 13 08-04	Tige du frein	116	872 14 06-08	Boulon 3/8-16 x 1
24	873 35 06-00	Contre-écrou 3/8-16 unc	120	873 90 06-00	Écrou frein
25	532 10 68-88	Ressort de la tige du frein 2 00	150	532 17 54-56	Ressort de retenue
26	819 13 13-16	Rondelle 13/32 x 13/16 x 16 Ja.	151	819 13 32-10	Rondelle 13/32 x 2 x 10
27	876 02 04-12	Goupille fendue 1/8 x 3/4	156	532 16 60-02	Rondelle 5/16 ID x 1.125
28	532 17 57-65	Tige du frein de stationnement	158	532 16 55-89	Support de montage
29	532 07 16-73	Chapeau du frein de stationnement	159	532 18 39-00	Moyeu
30	532 17 49-73	Support de montage de la transmission	161	872 14 04-06	Boulon 1/4-20 x 3/4 Cat. 5
32	874 76 05-12	Boulon 5/16-18 unc x 3/4	162	873 68 04-00	Écrou auto-serrant
34	532 17 55-78	Arbre de l'ensemble de la pédale	163	874 78 04-16	Boulon 1/4-20 unc x 1 Cat. 5
35	532 12 01-83	Palier de nylon 629 Id	165	532 16 56-23	Pivot
36	819 21 16-16	Rondelle 21/32 x 1 x 16 Ja.	166	817 49 05-10	Vis 5/16-18 x 5/8
37	532 12 49-63	Goupille mécanidus 3/16 x 1"	168	532 16 54-92	Boulon à épaulement
38	532 17 91-14	Poulie	169	532 16 55-80	Attache
39	872 11 06-22	Boulon 3/8-16 unc x 2-3/4 Cat. 5	170	532 18 74-14	Guide-courroie
41	532 17 55-56	Guide-courroie du galet-tendeur	197	532 16 96-13	Douille de nylon
47	532 12 77-83	Poulie du galet-tendeur trapézoïdal cannelé	198	532 16 95-93	Rondelle de nylon
48	532 15 44-07	Levier coudé de l'ensemble	202	872 11 06-14	Boulon 3/8-16 unc x 1-3/4 Cat. 5
49	532 12 32-05	Logement de retenue de la courroie à ressort	212	532 14 52-12	Écrou frein
50	872 11 06-12	Boulon 3/8-16 x 1-1/2 Cat. 5			
51	873 68 06-00	Écrou auto-serrant 3/8-16 unc			
52	873 68 05-00	Écrou auto-serrant 5/16-18 unc			
53	532 19 96-52	Raccord d'embrayage			
55	532 10 57-09	Ressort de rappel de l'embrayage 6 75			
56	817 06 06-20	Vis 3/8-16 x 1-1/4			
57	<b>532 40 16-03</b>	Courroie trapézoïdale de masse			
62	532 12 48-72	Couverture de la pédale			
63	532 17 54-10	Poulie du moteur			
64	532 17 39-37	Boulon			
65	810 04 07-00	Rondelle frein hélicoïdale à ressort 7/16			

**REMARQUE:** Toutes les dimensions de composant sont données en pouces E.-U. -- 1 pouce = 25,4 mm.

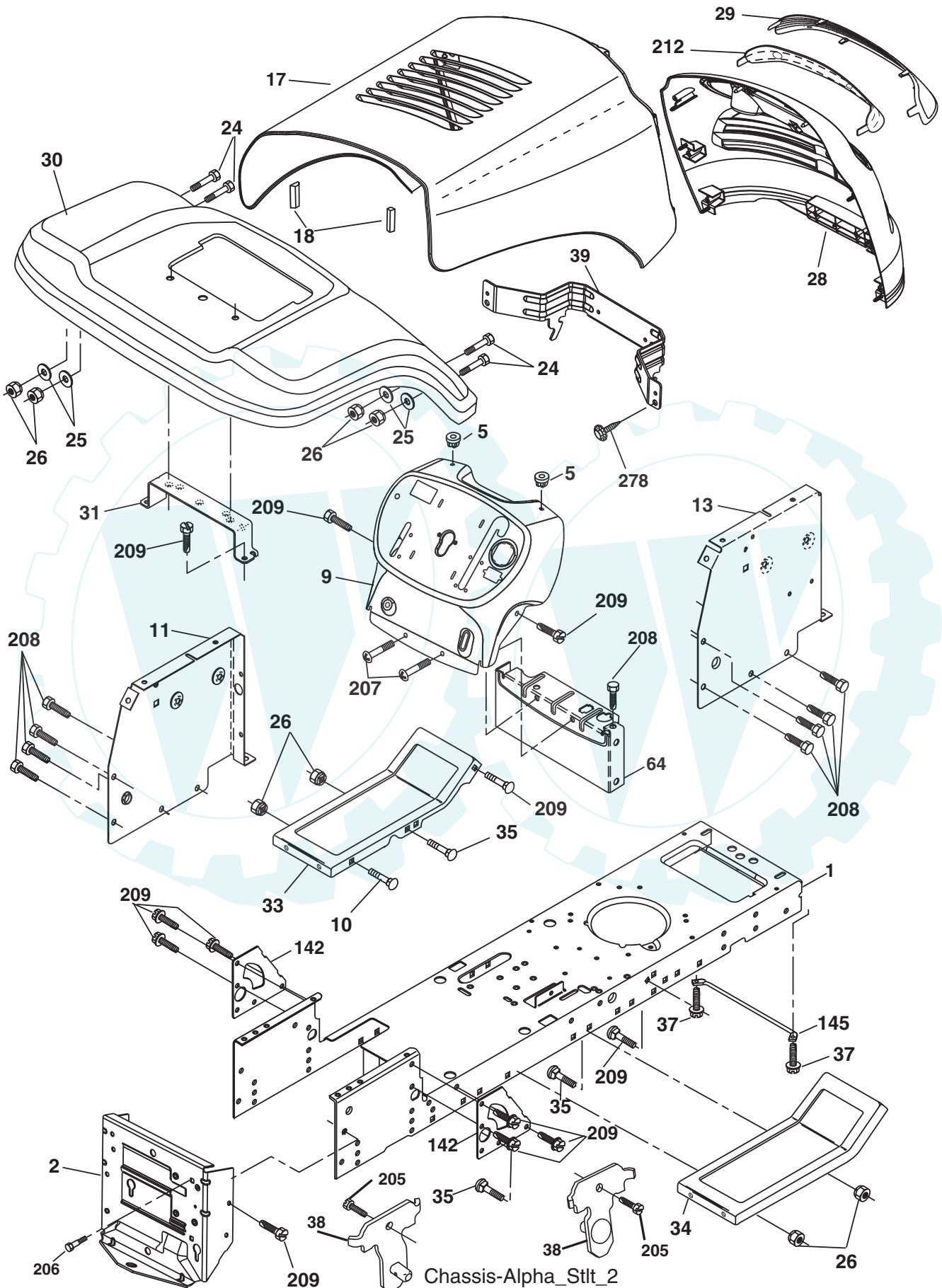


drive-stlt\_D6800\_fender\_4\_r2

TRACTEUR - - NO. DE MODÈLE [www.ersatzteil-service.de](http://www.ersatzteil-service.de) (96012007403), NO. DE PRODUIT 960 12 00-74  
CHÂSSIS/ENCEINTES

NO. DE RÉF.	NO DE PIÈCE	DESCRIPTION
1	532 17 46-19	Châssis
2	532 17 65-54	Barre d'attelage
5	532 15 52-72	Pare-chocs
9	532 19 41-97	Tableau de bord
10	872 14 06-08	Boulon de chariot 3/8-16 x 1
11	532 17 49-96	Panneau du tableau de bord C.G.
13	532 18 17-19	Panneau du tableau de bord C.D.
17	532 19 47-97	Ensemble du capot
18	532 18 49-21	Coussin de capot
24	874 78 06-16	Boulon
25	819 13 13-12	Rondelle 13/32 x 13/16 x 12 Ja.
26	873 80 06-00	Ecrou
28	532 18 75-98	Calandre(comprise les nos. de réf 29 et 212)
29	532 19 54-02	Lentille
30	532 19 57-70	Aile
31	532 13 66-19	Support d'aile
33	532 18 11-93	Repose-pieds C.G.
34	532 18 11-94	Repose-pieds C.D.
35	872 11 06-06	Boulon
37	817 49 05-08	Vis 5/16-18 x 1/2 TYT
38	532 17 57-10	Ensemble de support
39	532 18 75-68	Support
64	532 15 47-98	Tableau de dord
142	532 17 57-02	Plaque
145	532 40 91-67	Tige
205	817 49 06-08	Vis 3/8-16 x 1/2
206	532 17 01-65	Boulon à épaulement
207	817 67 05-08	Vis 5/16-18 x 1/2
208	817 67 06-08	Vis 3/8-16 x 1/2
209	817 00 06-12	Vis 3/8-16
212	532 18 75-69	Insert de lentille
278	532 41 63-58	Vis 10 x 0.075
--	532 00 54-79	Bouchon de bouton
--	532 18 78-01	Bouchon

**REMARQUE:** Toutes les dimensions de composant sont données en pouces E.- U. -- 1 pouce = 25,4 mm.



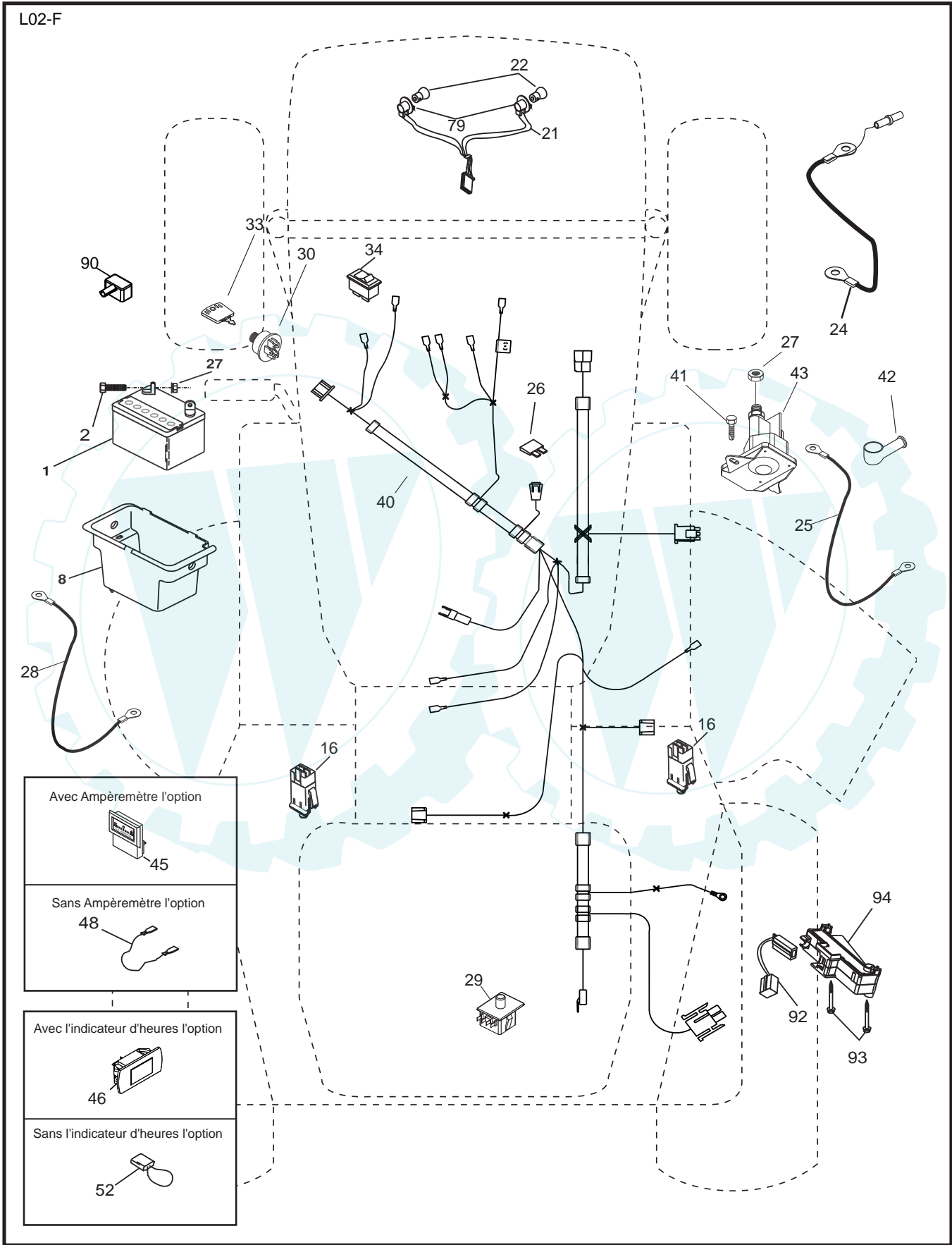
Chassis-Alpha\_Stlt\_2



TRACTEUR - - NO. DE MODÈLE C015538L1 (96012007403), NO. DE PRODUIT 960 12 00-74  
ÉLECTRIQUE

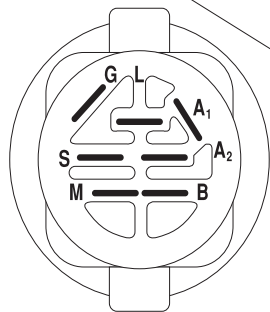
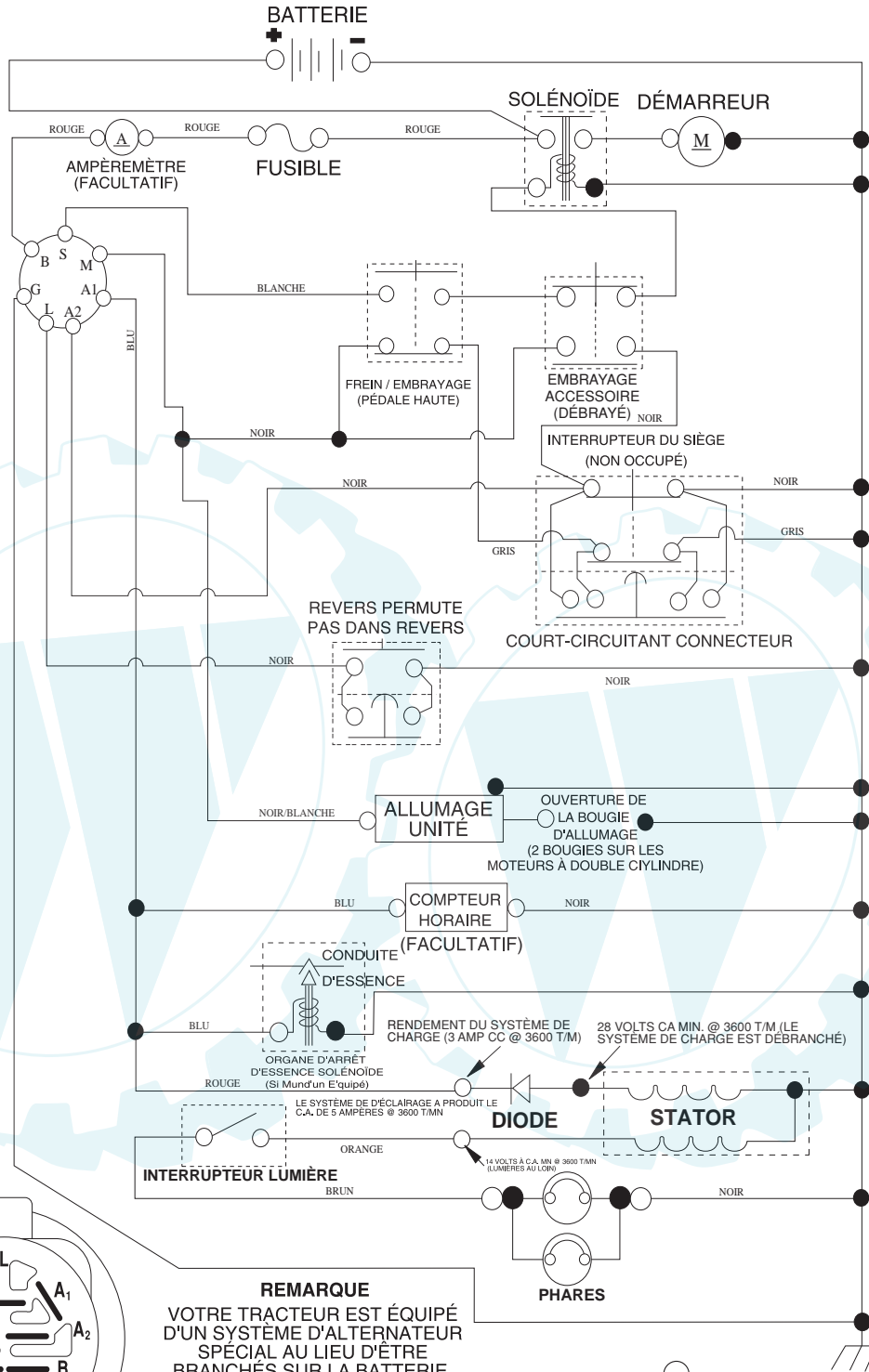
NO. DE RÉF.	NO DE PIÈCE	DESCRIPTION
1	532 16 34-65	Batterie
2	874 76 04-12	Boulon 1/4-20 unc x 3/4
8	532 17 66-89	Bac de batterie
16	532 17 61-38	Interrupteur de verrouillage
21	532 17 56-88	Harnais des prises de courant des phares avec 4152J
22	532 00 41-52	Ampoule N°1156
24	532 12 47-80	Câble de batterie de 6 Ja de 11 po. - rouge
25	532 14 61-47	Câble de batterie de 6 Ja avec un fil de 16 po. - rouge
26	532 17 51-58	Fusible de 20 AMP
27	873 51 04-00	Écrou à taquets 1/4-20 unc
28	532 12 47-73	Câble de masse de 6 Ja de 12 po. - noir
29	532 19 27-49	Interrupteur
30	532 19 33-50	Contacteur d'allumage
33	532 41 19-35	Clé de contact
34	532 11 07-12	Interrupteur
40	532 19 74-28	Harnais des câbles d'allumage
41	871 11 04-08	Boulon 1/4-20 x 1/2
42	532 13 15-63	Couverture de borne
43	532 19 25-07	Solénoïde
48	532 14 08-44	Adaptateur de l'ampèrremètre rectangulaire
52	532 14 19-40	Fil en forme de boucle de protection
79	532 17 52-42	prise de courant du phare
90	532 18 04-49	Couverture
92	532 19 66-15	Harnais
93	532 19 25-40	Vis 10-14 x 2.0
94	532 19 18-34	Inverse du module ROS

**REMARQUE:** Toutes les dimensions de composant sont données en pouces É.-U. --1 pouce = 25,4 mm.



TRACTEUR - - NO. DE MODÈLE C015538L1 (96012007403), NO. DE PRODUIT 960 12 00-74  
 SCHÉMA

SCH03-F



**CONTACTEUR D'ALLUMAGE**

POSITION	CIRCUIT "FAITS"
ARRÊT	M+G+A1
MARCHE/ALLUMAGE	B+A1
MARCHE	B+A1 L+A2
DÉMARRAGE	B + S + A1

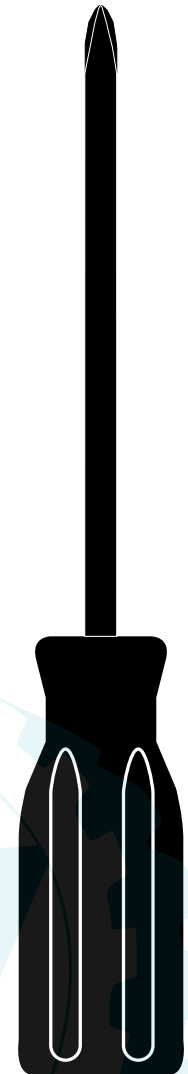
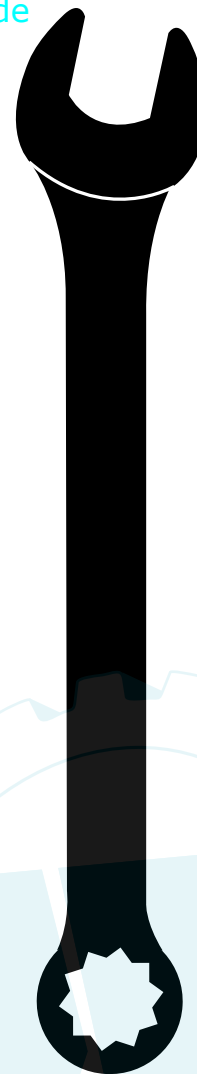
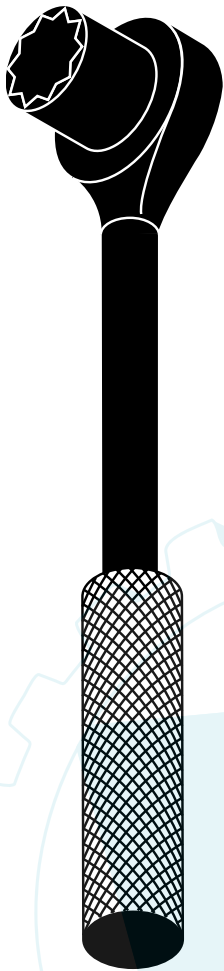
**REMARQUE**  
 VOTRE TRACTEUR EST ÉQUIPÉ D'UN SYSTÈME D'ALTERNATEUR SPÉCIAL AU LIEU D'ÊTRE BRANCHÉS SUR LA BATTERIE, LES PHARES DISPOSENT DE LEUR PROPRE SOURCE D'ÉNERGIE ÉLECTRIQUE, DONC LA BRILLANCE DES PHARES CHANGERA EN FONCTION DE LA VITESSE DU MOTEUR. AU RALENTI, LA BRILLANCE DES PHARES BAISSERA; QUAND LE MOTEUR EST ACCÉLÉRÉ, LA BRILLANCE ATTEINDRA SON MAXIMUM.

**CONNECTEURS AMOVIBLES**

**CONNECTEURS NON-AMOVIBLES**

**PINCES ISOLÉES**

**REMARQUE:** SI LES PINCES ISOLÉES ONT ÉTÉ ENLEVÉES POUR L'ENTRETIEN DU MODÈLE,



**MANUEL DES PIÈCES DE RECHANGE  
NO. DE MODÈLE CO15538LT (96012007403)  
TRACTEUR DE PELOUSE**

---

**Rally**