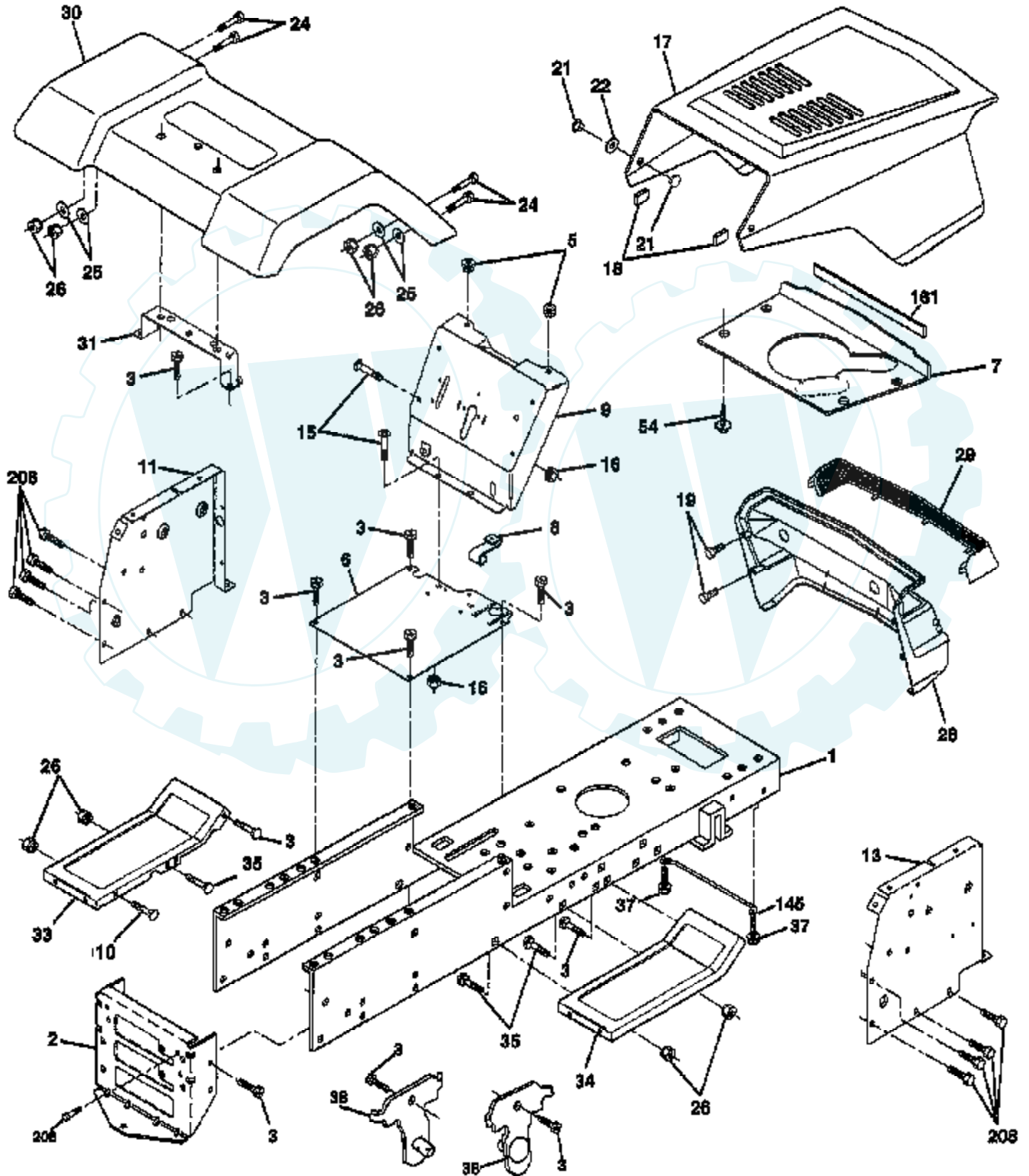


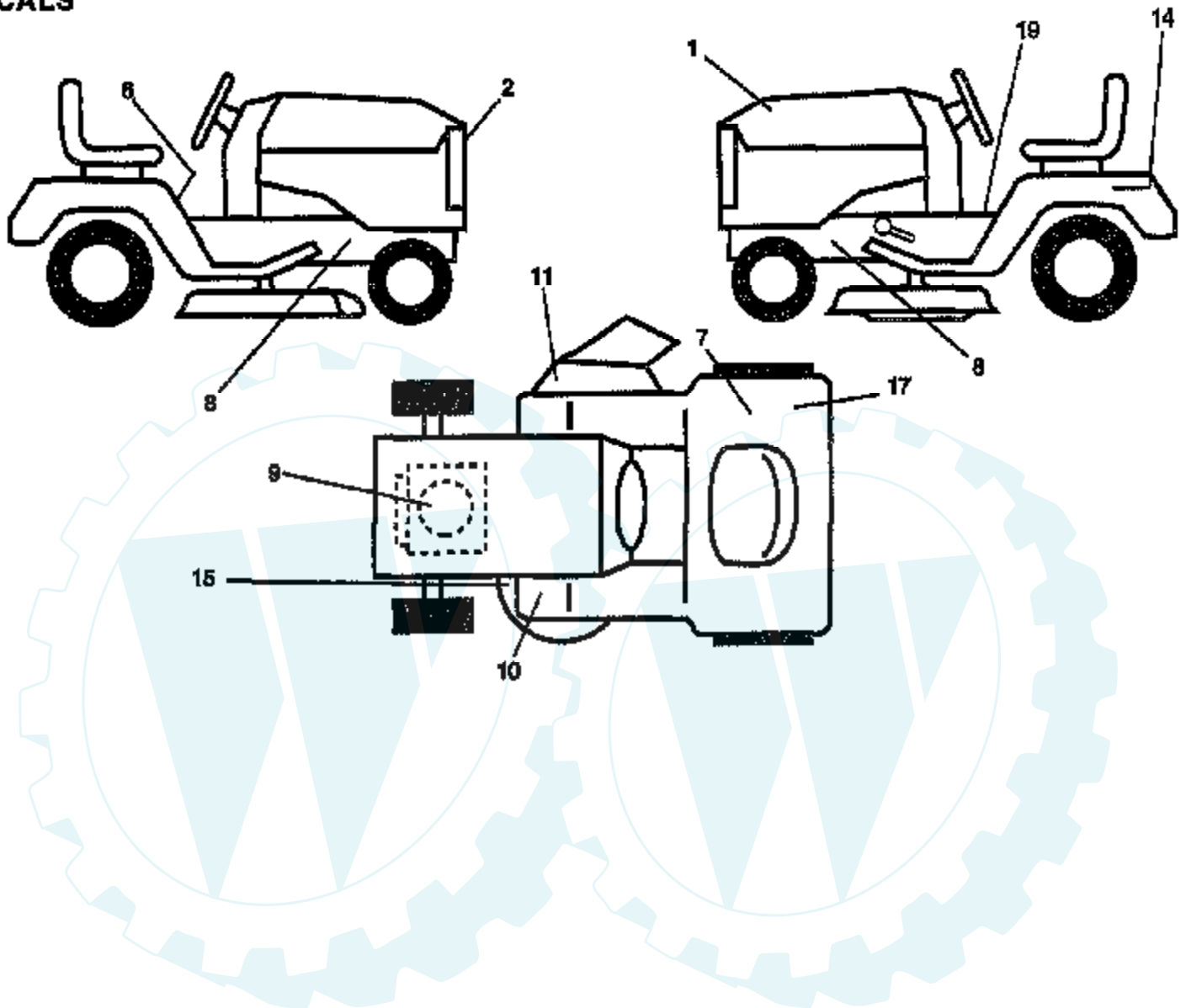
TRACTOR - - MODEL NUMBER 12HP-97CM (CM1238A) CHASSIS AND ENCLOSURES



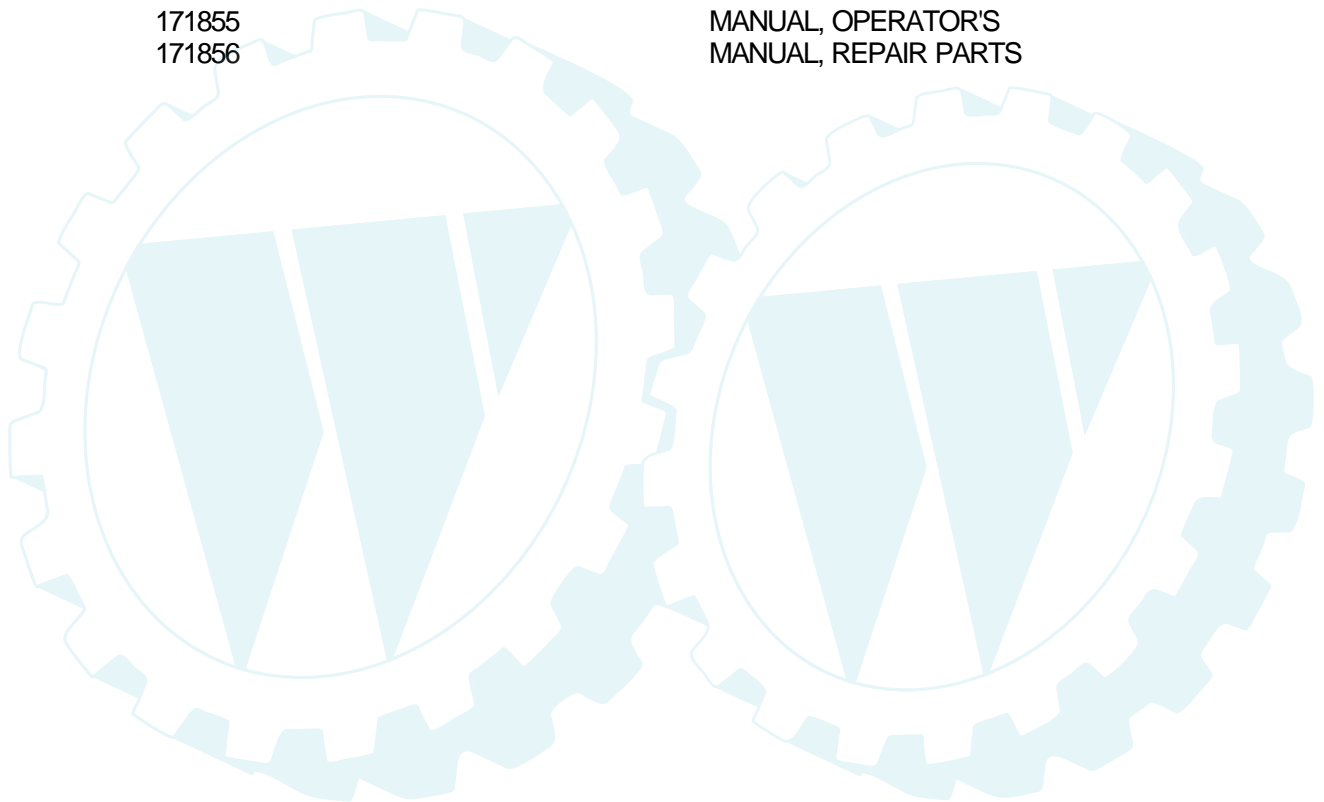
Ref #	Part Number	Qty	Description
1	169831		CHASSIS
2	169061		DRAWBAR
3	17060612		SCREW
5	155272		BUMPER-HOOD/DASH
6	155924X010		"SADDLE FLAT,SLKSC"
7	126842X		"SHIELD,HEAT HOOD"
8	155138		CLIP.RETAINER
9	168655X010		DASH
10	72140608		SUB= 72110608
11	155927		"PANEL-DASH,LH"
13	172107X010		DASHBOARD
15	74180512		SCREW
16	73510500		NUT
17	154988X550		HOOD ASM PNT WELD SLOPE
18	126938X		SUB= 532126938
19	164863		"SCREW,HWHD.HI-LO#13-16X3/4"
21	122933X		"RIVET,PLASTIC"
22	124479X		SUB= 532124479
24	74780616		BOLT
25	19131312		WASHER
26	73800600		NUT
28	140135X428		GRILLE BLK
29	124029X599		LENS HEADLIGHT
30	169465X550		FENDER
31	136619		BRKT FENDER
33	105476X428		FOOTREST LH
34	105475X428		FOOTREST RH
35	72110606		BOLT
37	17490508		SCREW LT
38	169834		BRKT ASM PIVOT MOWER REAR
54	161464		SCREW.HEX.WS.HD
145	156524		"ROD POVOT,CHASSIS"
161	161547		EXTRUSION HOOD
206	170165		BOLT SHOULDER
208	17670608		SCREW
	5479J		PLUG BUTTON T

TRACTOR - - MODEL NUMBER 12HP-97CM (CM1238A)

DECALS

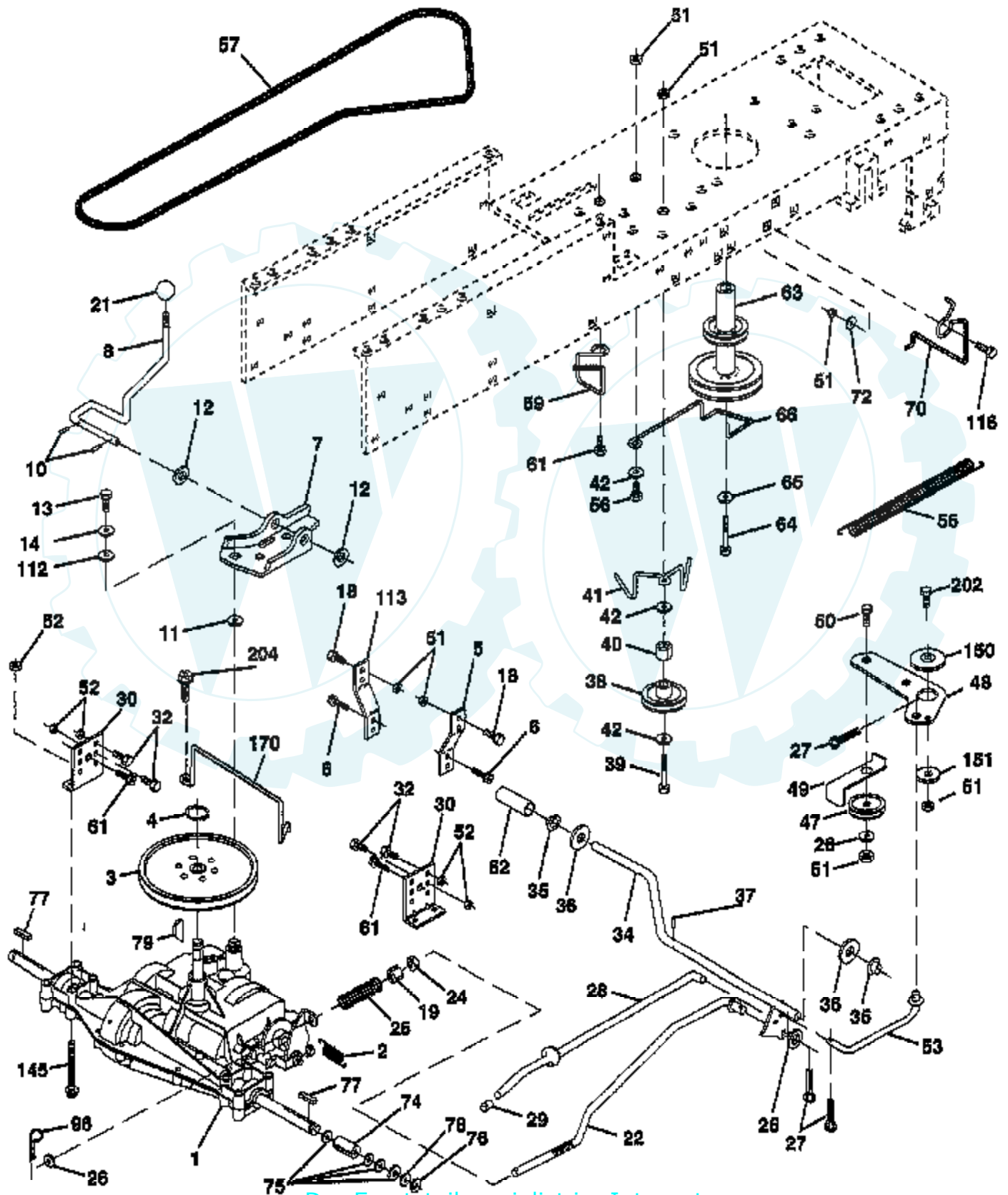


Ref #	Part Number	Qty	Description
1	171925		DECAL, HOOD
2	131265		DECAL LIGHTBOX
6	145498		DECAL.READ.O.MANU
7	145437		DECAL.EURO.ST.CE.
8	159736		"DECAL CHASSIS,HOT"
9	170832		DECAL, ENGINE
10	159737		DECAL-BRAKE/CLUTC
11	145494		DECAL.DANGER.CUTF
14	145006		CLIP.PUSH-IN.HING
15	136832		DECAL
17	126187X		SUB= 532126187
19	140837		DECAL BRAK PARK
	162598		DECAL.DRAWBAR.LDL
	138311		DECAL HANDLE LIFT
	171855		MANUAL, OPERATOR'S
	171856		MANUAL, REPAIR PARTS



TRACTOR - - MODEL NUMBER 12HP-97CM (CM1238A)

DRIVE

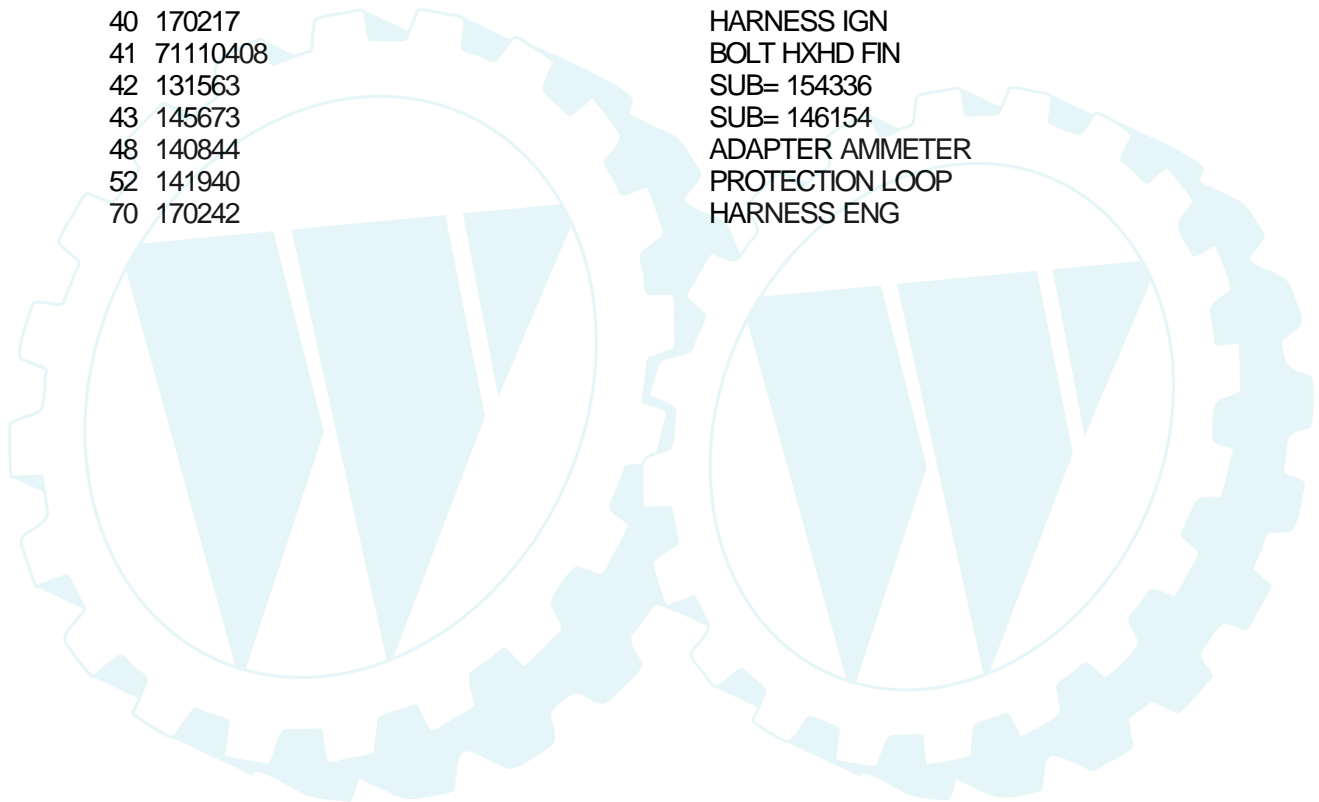


Ref #	Part Number	Qty	Description
1	SUPPLIER		CHECK WITH SUPPLIER
1	PARTSIMAGE		REFER TO PARTS IMAGE
2	146682		SPRING.BRAKE.RETU
3	123666X		PULLEY TRANS
4	12000028		SUB= 2267J
5	121520X		STRAP TORQUE
6	17060512		SCREW
7	162240		BRKT.SADDLE.SHIFT
8	131679		SHIFT ROD
10	76020416		PIN COTTER 1/8
11	105701X		WASH-SHFT PLT LT
12	19151216		WASHER
13	74550412		BOLT.1/4-28.W/PAT
14	10040400		LOCKWASHER
18	74780616		BOLT
19	73800600		NUT
21	106933X		KNOB T (1/2-HOLE)
22	130804		BRAKE ROD
24	73350600		NUT
25	106888X		SPRING ROD LT
26	19131316		WASHER
27	76020412		COTTER PIN
28	145204		ROD.BRAKE.PARK.LT
29	71673		PLUNGER CAP T
30	130807		TRANSAXLE MTG BKT
32	74760512		BOLT
34	155071		SHAFT ASM-PEDAL F
35	120183X		NYLON BEARING
36	19211616		WASHER LT
37	1572H		SUB= 2882J
38	131494		FLAT IDLER PULLEY
39	72110622		BOLT
40	4470J		SPACER T
41	165838		"KEEPER,BELT.IDLER FLAT"
42	19131312		WASHER
47	127783		SUB= 139245
48	154407		BELLCRANK.CLUTCH
49	123205X		RETAIN BELT
50	74760624		SUB= 74930624
51	73680600		SUB= 73690600
52	73680500		SUB= 73690500
53	105710X		"LINK, CLUTCH T"
55	105709X		"SPRING, RETURN LT"
56	74760620		SUB= 74780620
57	130801		SUB= 138255
59	169691		KEEPER BELT SPAN CTR
61	17060612		SCREW
62	8883R		PEDAL COVER T
63	140186		PULLEY.ENGINE
64	71170764		BOLT
65	10040700		LOCKWASHER
66	154778		KEEPER-BELT
70	134683		KEEPER BELT ENG
72	19132012		WASHER
74	137057		SPACER AXLE
75	121749X		WASHER
76	12000001		E-RING LT
77	123583X		SQUARE KEY

Ref #	Part Number	Qty	Description
78	121748X		WASHER
79	2228M		SUB= 2228M1
96	4497H		RETAINER M
112	19091210		WASHER LT
113	127285X		"STRAP,TORQUE"
116	72110610		BOLT RDHD 3/8-16
145	74490540		BOLT.HEX.FLGHD
150	165850		BUSHING.BELLCRANK.GRD.DR
151	19133210		WASHER
170	165849		KEEPER.BELT.TRANSAXLE
202	72110612		BOLT.3/8-16X1.50
204	17060516		SCREW

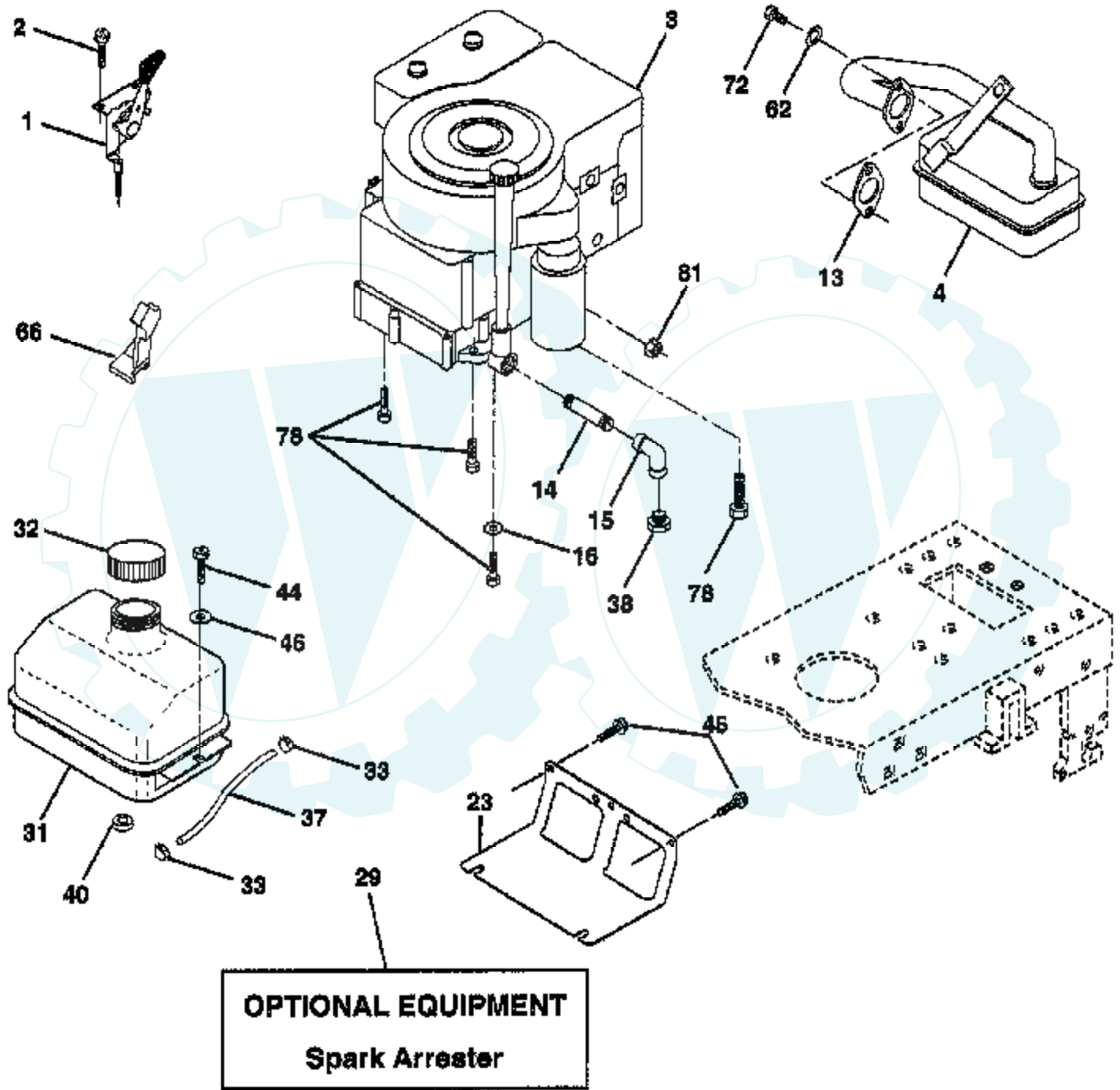


Ref #	Part Number	Qty	Description
1	144925		SUB= 123899X
2	74760412		BOLT LT
8	156417		"CASE,BATTERY.MECH"
16	153664		SWITCH INTERLOCK
21	166181		HARNESS.ASM.LIGHT W/4152J
22	4152J		HEADLAMP BULB
24	4799J		"CABLE T, BATTERY"
25	146147		CABLE.BTRY.6GA.RD
26	166180		FUSE.15 AMP
27	73510400		NUT
28	4207J		CABLE T
29	121305X		SWITCH SEAT
30	163968		SWITCH.IGN.
33	140401		KEY MLD GEN DELTA
40	170217		HARNESS IGN
41	71110408		BOLT HXHD FIN
42	131563		SUB= 154336
43	145673		SUB= 146154
48	140844		ADAPTER AMMETER
52	141940		PROTECTION LOOP
70	170242		HARNESS ENG

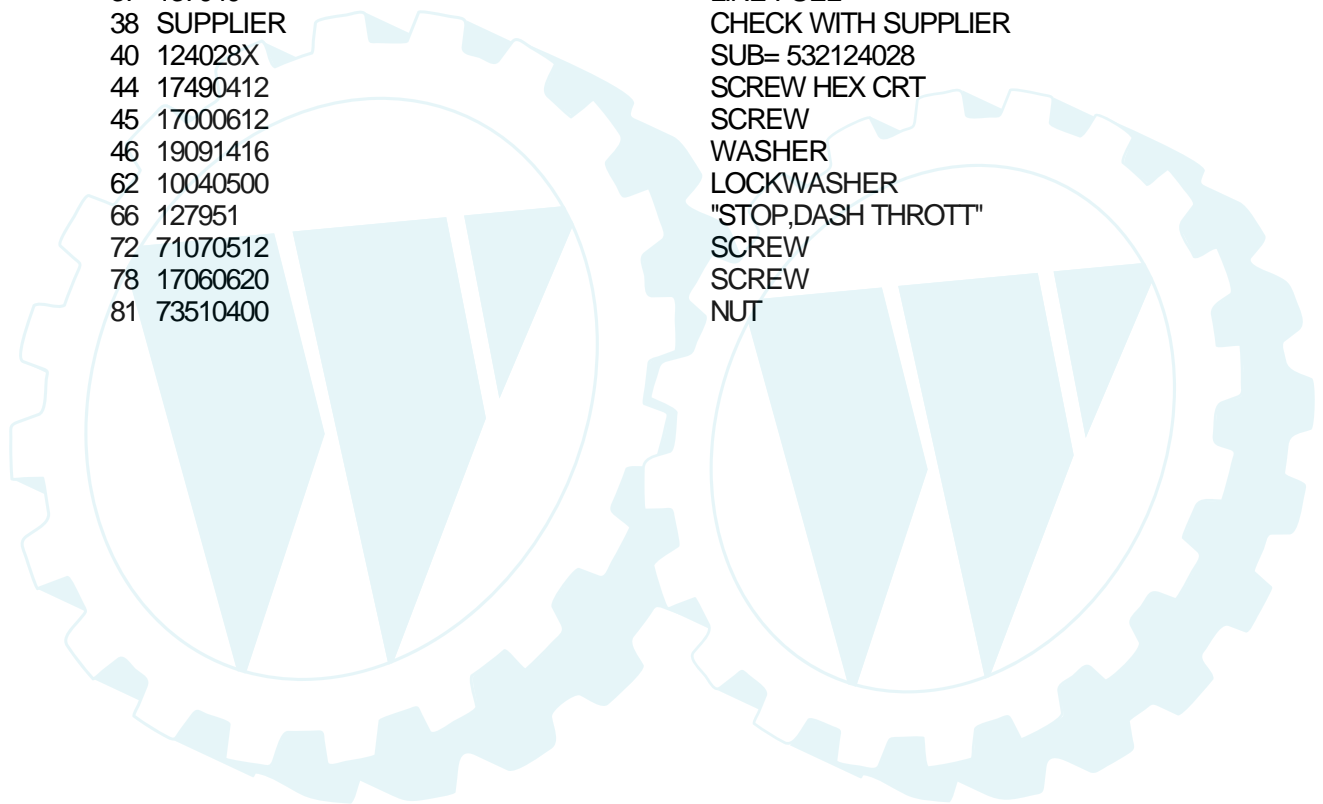


TRACTOR - - MODEL NUMBER 12HP-97CM (CM1238A)

ENGINE



Ref #	Part Number	Qty	Description
1	152141		CONTROL THROTTLE
2	17720410		SCREW LT
3	SUPPLIER		CHECK WITH SUPPLIER
4	137348		MUFFLER
13	165291		SUB= 272293
14	13280324		PIPE NIPPLE
15	13200300		ELBOW
16	11050600		LOCKWASHER
23	169837		SHIELD BROWNING
29	137180		SUB= 532137180
31	109202X		TANK.FUEL.LT.
32	140527		CAP ASM FUEL
33	123487X		HOSE CLAMP
37	137040		LINE FUEL
38	SUPPLIER		CHECK WITH SUPPLIER
40	124028X		SUB= 532124028
44	17490412		SCREW HEX CRT
45	17000612		SCREW
46	19091416		WASHER
62	10040500		LOCKWASHER
66	127951		"STOP,DASH THROTT"
72	71070512		SCREW
78	17060620		SCREW
81	73510400		NUT



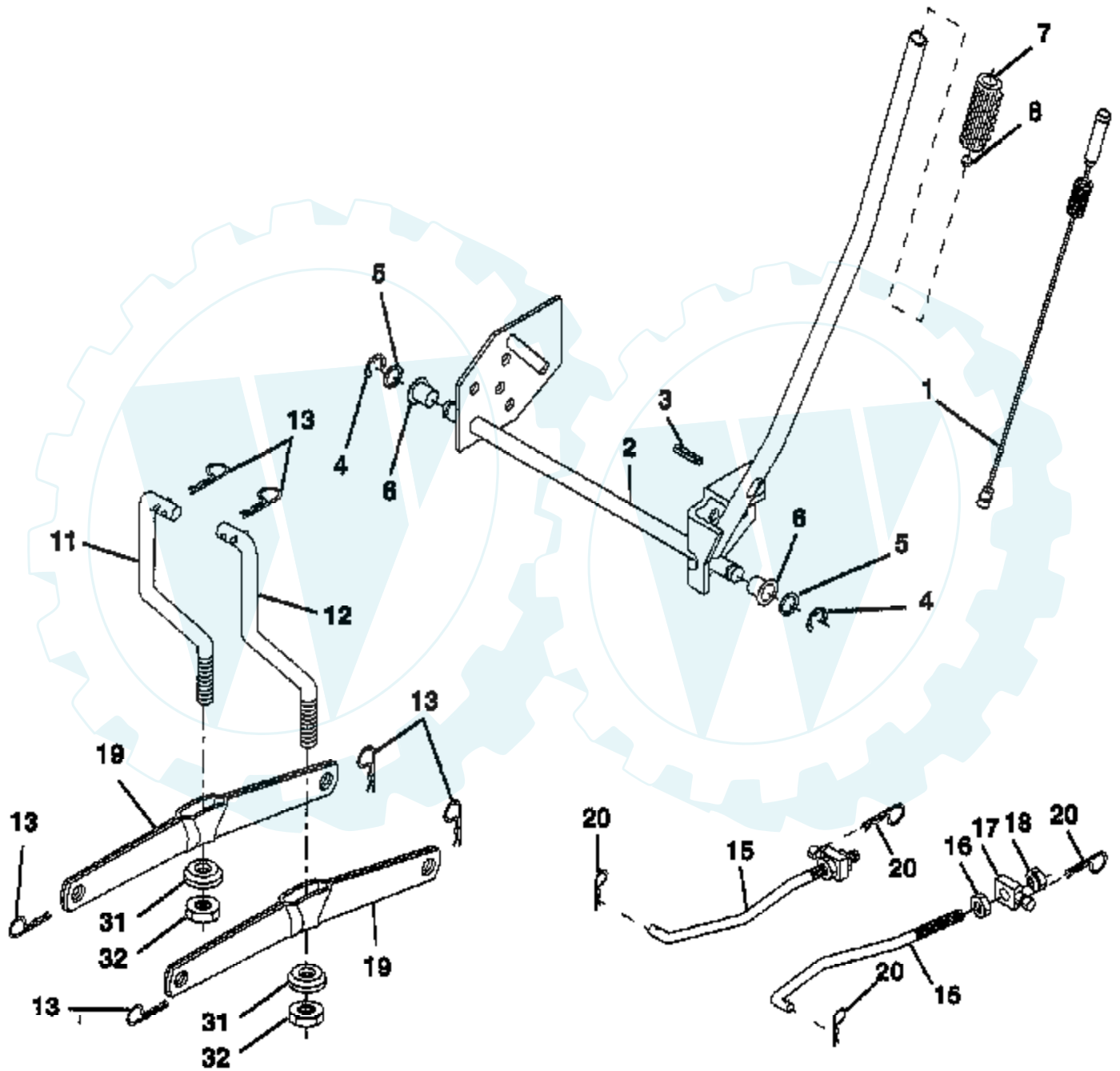
Ref #	Part Number	Qty	Description
1	170280		MOWER HSG ASSY
2	72140506		BOLT
3	138017		BRKT ASM SWAY BAR
4	169970		BRKT SWAY BAR DECK
5	4939M		SUB= 85902
6	130832		SUB= 130833
8	850857		BLADE BOLT
9	10030600		SUB= 10040600
10	140296		WASHER.HARD.BLADE
11	138497		"BLADE.38"" HIPERF"
12	129895		BEARING.BALL
13	137645		SUB= 137646
14	128774		HSG ASM MANDREL
15	110485X		BEARING
16	140329		STRIPPER RND MWR
19	132827		BOLT SHD 5/16-18
21	73680500		SUB= 73690500
23	137607		BRKT DEFLECTOR
24	105304X		CAP-SLEEVE LT
25	123713X		SPRING TORSION
26	110452X		NUT PUSH M
27	106736X428		DEFLECTOR, SHIELD
28	19111016		WASHER
29	106735X		ROD-HINGE T
30	157722		"SCREW-THD ROLL,WA"
31	129963		WASHER
32	153532		PULLEY.MANDREL.38
33	137266		SUB= 139729
36	131494		FLAT IDLER PULLEY
40	73680600		SUB= 73690600
45	4497H		RETAINER M
53	130840		BRAKE ASM
54	133943		HARDENED WASHER
55	133840		IDLER ARM ASSY
56	165723		SPACER.RETAINER.MOWER
67	106932X		KNOB T(3/8 HOLE)
68	144200		BELT.V.T-PATH
69	76020312		SUB= 3145
86	7631J		RUNNER-LH M
87	128772		RUNNER RH
88	19111216		WASHER M
89	19131612		WASHER GT
107	133502		RETAINER SPACER
108	133503		IDLER ARM STIFF
109	74760640		BOLT
110	142587		UPSTOP DECK FT 38
113	17060512		SCREW
122	131289		BRAKE ROD LH
123	169971		ROD
128	153390		WASHER.FELT.
146	165891		BOLT
148	169022		SPRING RETURN IDLER
149	165898		RETAINER SPRING
150	19091216		WASHER PM
151	169670		BRKT CLUTCH CABLE
152	172758		CLUTCH CABLE
153	169674		WASHER FLAT
154	169675		SPRING RETAINER

Ref #	Part Number	Qty	Description
155	169671		SPRING RETENTION LVR CLUTCH CAB
156	169672		SPACER
157	169669		ROD.CLUTCH.CABLE.3/8
158	17720410		SCREW LT
	130794		MANDREL ASM
	170317		MOWER DECK, COMPLETE

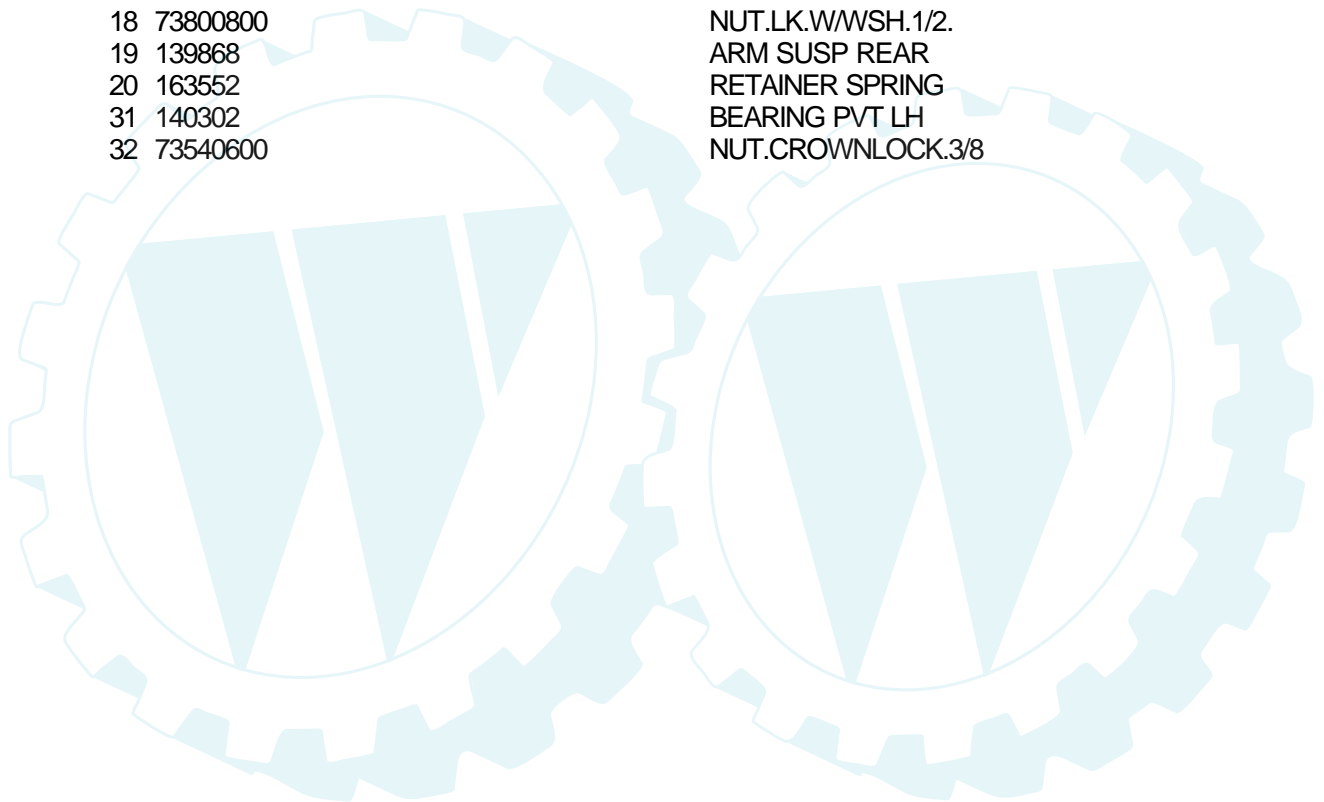


TRACTOR - - MODEL NUMBER 12HP-97CM (CM1238A)

MOWER LIFT

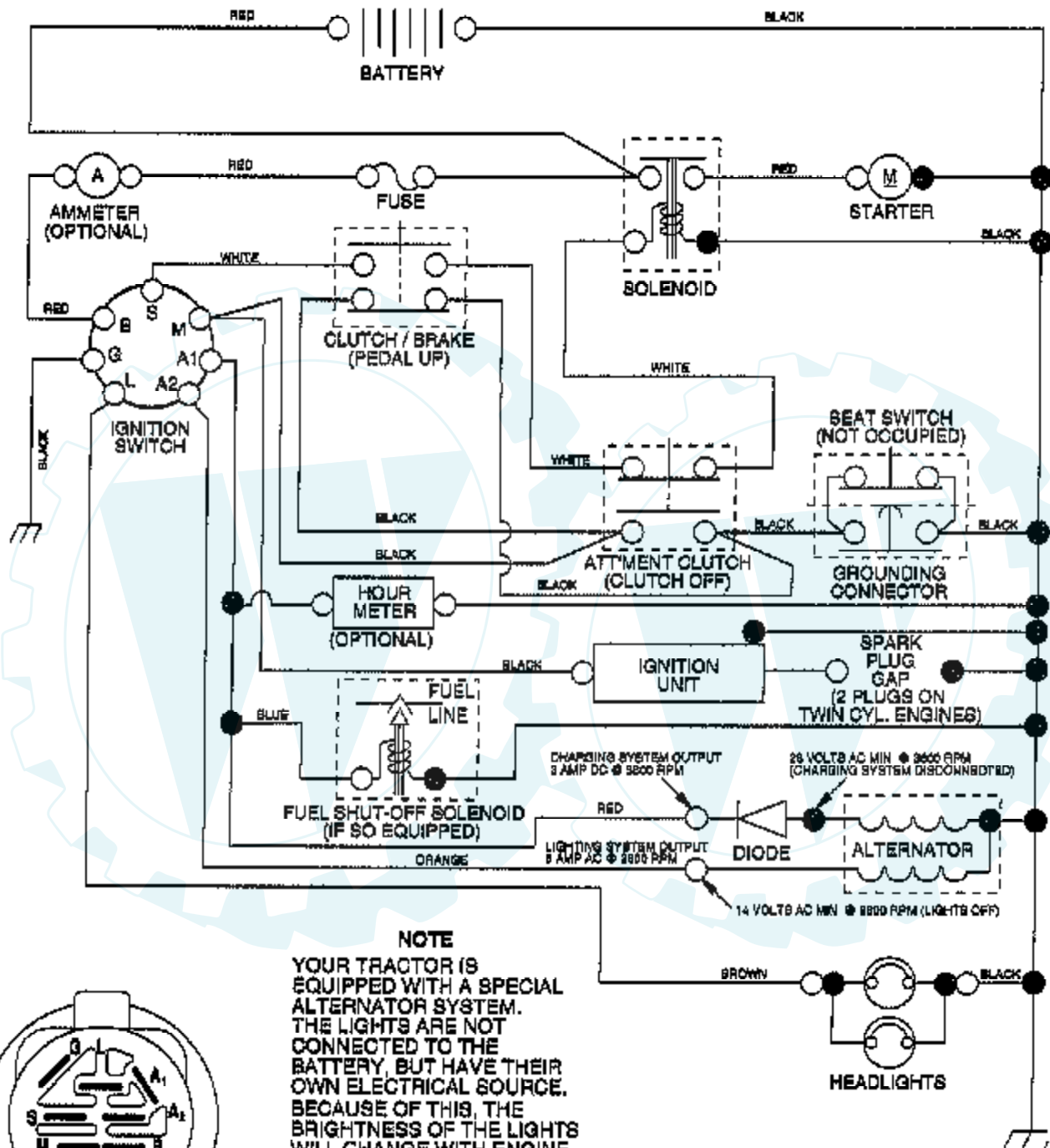


Ref #	Part Number	Qty	Description
1	159460		WIRE ASM W.SPRING
2	159474		SHAFT ASM.LIFT
3	105767X		PIN-GROOVE LT
4	12000002		SUB= 2225J
5	19211621		WASHER
6	120183X		NYLON BEARING
7	109413X		GRIP
8	124526X		SUB= 125925X
11	139865		SUB= 918139865
12	139866		SUB= 151140
13	4939M		SUB= 85902
15	167253		LINK, FRONT
16	73350800		NUT
17	130171		TRUNION
18	73800800		NUT.LK.W/WSH.1/2.
19	139868		ARM SUSP REAR
20	163552		RETAINER SPRING
31	140302		BEARING PVT LH
32	73540600		NUT.CROWNLOCK.3/8

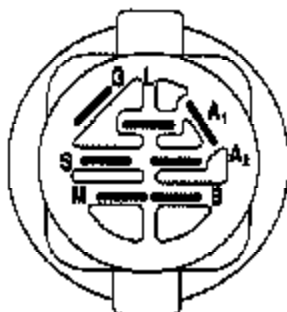


TRACTOR - - MODEL NUMBER 12HP-97CM (CM1238A)

SCHEMATIC



NOTE
YOUR TRACTOR IS EQUIPPED WITH A SPECIAL ALTERNATOR SYSTEM. THE LIGHTS ARE NOT CONNECTED TO THE BATTERY, BUT HAVE THEIR OWN ELECTRICAL SOURCE. BECAUSE OF THIS, THE BRIGHTNESS OF THE LIGHTS WILL CHANGE WITH ENGINE SPEED. AT IDLE THE LIGHTS WILL DIM. AS THE ENGINE IS SPEEDED UP, THE LIGHTS WILL BECOME THEIR BRIGHTEST.



IGNITION SWITCH

POSITION	CIRCUIT	"MAKE"
OFF	M+G+A1	NONE
RUN/LIGHT	B+A1	A2+L
RUN	B+A1	NONE
START	S+B+A1	NONE

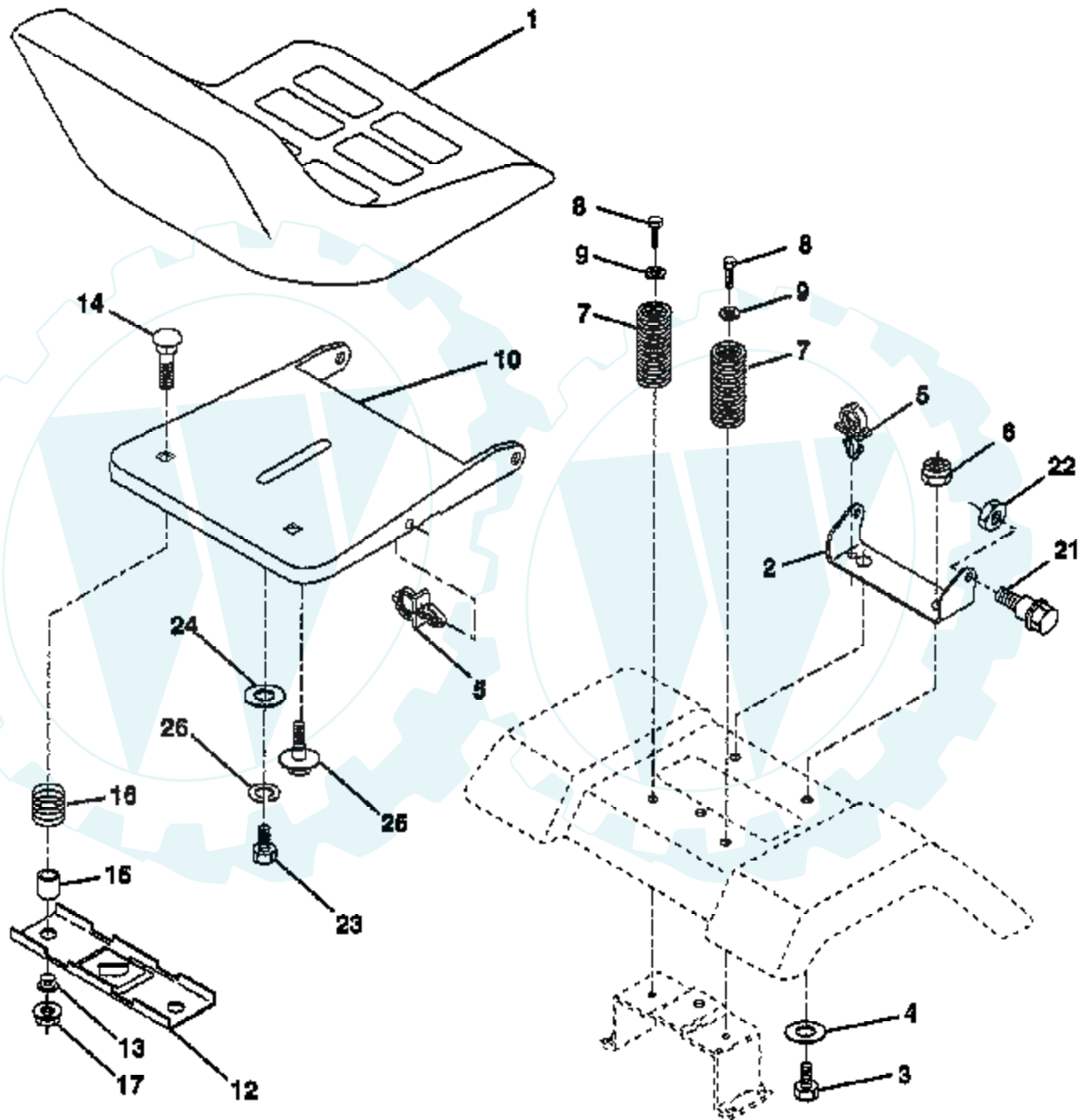
WIRING INSULATED CLIPS

NOTE: IF WIRING INSULATED CLIPS WERE REMOVED FOR SERVICING OF UNIT, THEY SHOULD BE REPLACED TO PROPERLY SECURE YOUR WIRING

Der Ersatzteilspezialist im Internet.

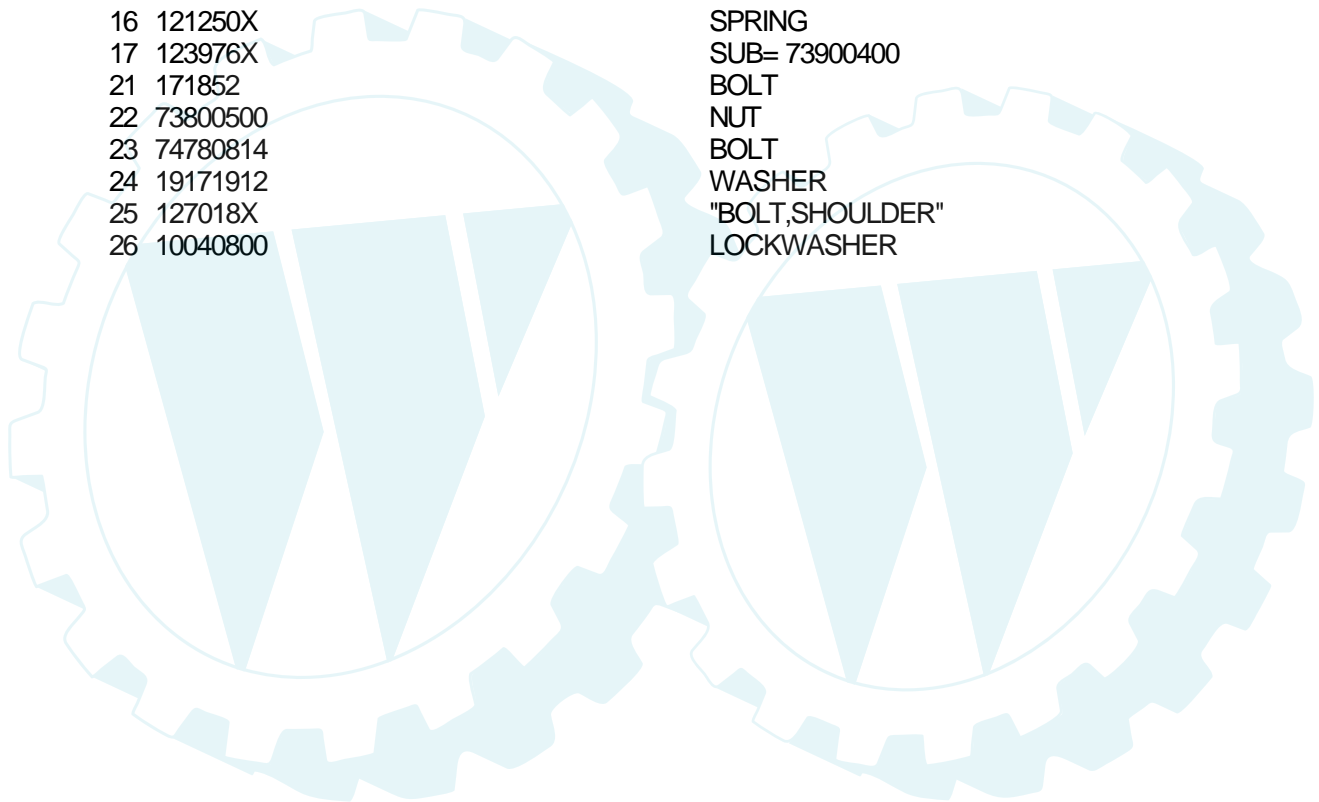
TRACTOR - - MODEL NUMBER 12HP-97CM (CM1238A)

SEAT



NOTE: All component dimensions given in U.S. inches
1 inch = 25.4 mm

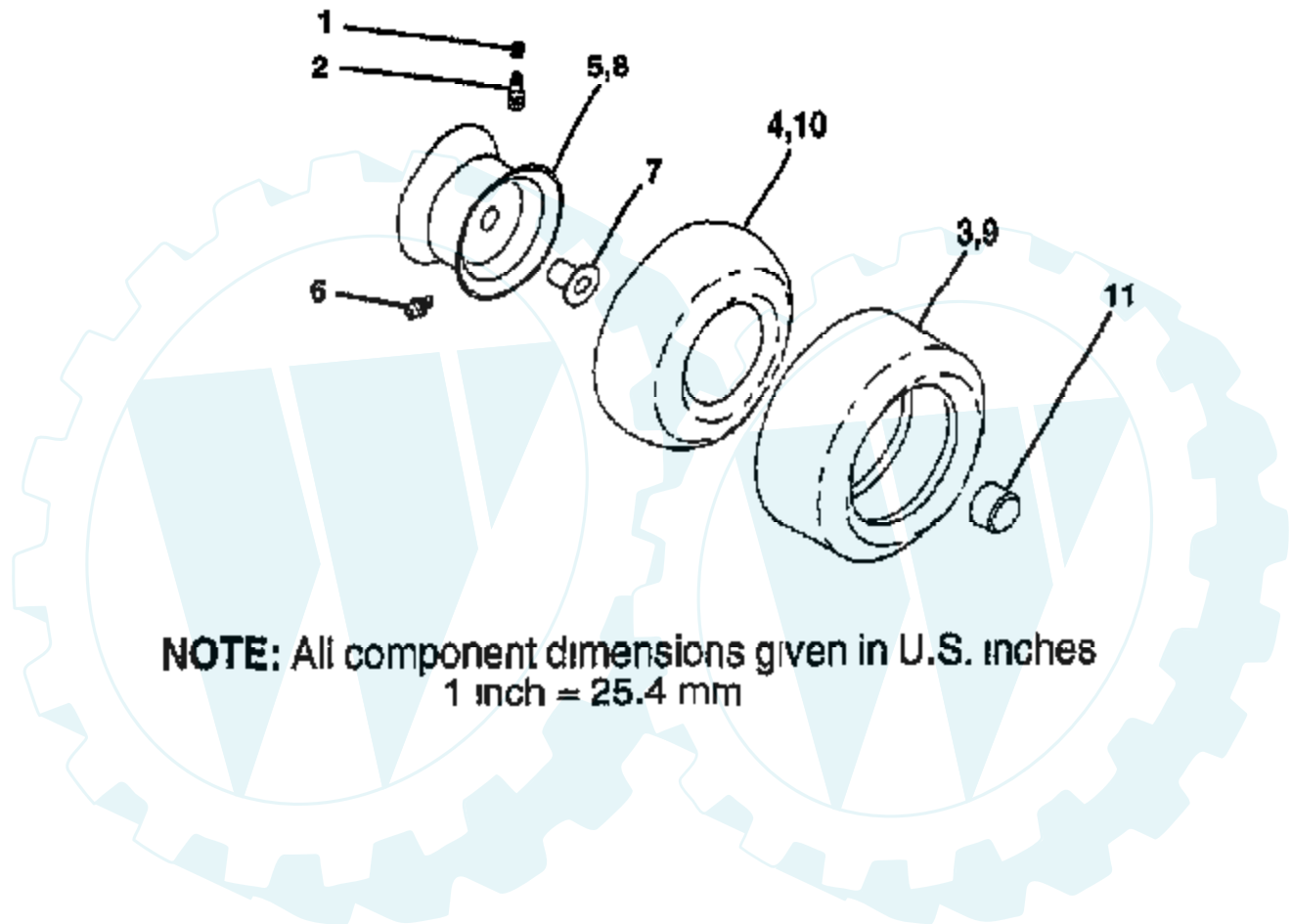
Ref #	Part Number	Qty	Description
1	127426X		SUB= 140119
2	140551		BRACKET PVT SEAT
3	71110616		BOLT
4	19131610		WASHER PM
5	145006		CLIP.PUSH-IN.HING
6	73800600		NUT
7	124181X		SPRING COMPRESSIO
8	17000616		SCREW
9	19131614		WASHER
10	155925		PAN-SEAT
12	121246X		BRKT SWITCH
13	121248X		BUSHING
14	72050412		BOLT-RD HD SQ NK
15	134300		SPLIT SPACER
16	121250X		SPRING
17	123976X		SUB= 73900400
21	171852		BOLT
22	73800500		NUT
23	74780814		BOLT
24	19171912		WASHER
25	127018X		"BOLT,SHOULDER"
26	10040800		LOCKWASHER



Ref #	Part Number	Qty	Description
1	140044		WHEEL STR AYP BLK
2	154427		AXLE ASM
3	169840		SPINDLE ASM
4	169839		SPINDLE ASM
5	6266H		WASHER .T
6	121748X		WASHER
7	19272016		WASHER
8	12000029		RING
9	3366R		COL. SRTG. BEAR.
10	169832		LINK DRAG
11	10040600		LOCKWASHER
13	136518		SPACER BEARING
15	145212		NUT.HXFLG.LOCK.
17	156545		SHAFT ASSM STEERN
18	57079		THRUST WASHER
19	160395		SUPPORT.SHAFT.STEER
22	165857		SCREW.HX.WSH.HD
23	165851		SHAFT.ASM.PITMAN
25	154406		BRKT-STEERING
26	126847X		BUSHING.DRAGLINK
27	136874		GEAR SECTOR
28	19131416		WASHER
29	17060612		SCREW
30	76020412		COTTER PIN
32	130465		TIE ROD
36	155099		BUSHING.STEERING
37	152927		"SCREW-TT,10-32 FL"
38	140045		CAP STEER AYP
39	19133812		WASHER
40	7810H		GRIPCO NUT
41	104820X		ADAPTER-WHEEL LT
42	124418X		"TUBE, STR SHAFT"
43	121749X		WASHER
46	121232X		CAP
47	6855M		ZERK M
62	167903		KIT.STEER.ASM
65	160367		"SPACER BRCAE,AXLE"
66	154404		"BEARING-ARM,PITMA"
67	72140618		BOLT RDHD 3/8-16
68	169827		BRACE AXLE
79	19132012		WASHER
80	74950612		BOLT.HX.NYLON3/8-16X3/
82	169835		BRKT SUSP CHASSIS FRT
85	133835		XMAS TREE FASTNER

TRACTOR - - MODEL NUMBER 12HP-97CM (CM1238A)

TIRES AND WHEELS



NOTE: All component dimensions given in U.S. inches
1 inch = 25.4 mm

Ref #	Part Number	Qty	Description
1	59192		VALVE CAP
2	65139		VALVE STEM LT
3	106222X		SUB= 122073X
4	59904		TUBE.5.3/4.5/6
5	106732X427		"RIM ASM 6"" FRT"
6	278H		FITTING LT
7	9040H		"FLANGE, BEARING"
8	106108X427		"RIM AS 8"" REAR"
9	124635X		SUB= 126957X
10	7152J		TUBE.18X9.5-8
11	104757X		HUB CAP
	144334		SEALANT.TIRE 10 OZ. TUBE

