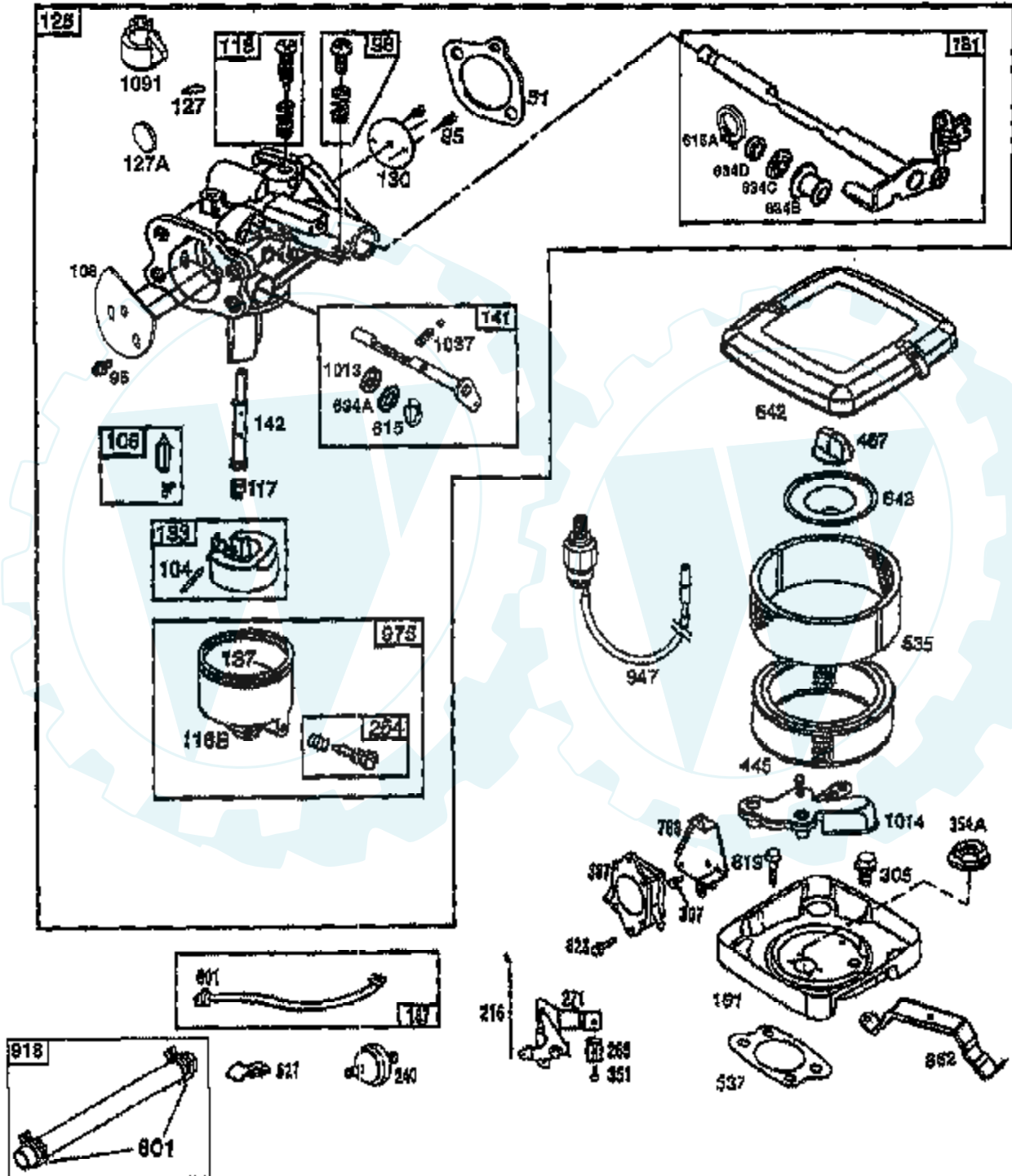


**TRACTOR -- MODEL NUMBER AYP9167D79**  
**BRIGGS & STRATTON ENGINE - MODEL NUMBER 350777, TYPE NUMBER 0034-A1**



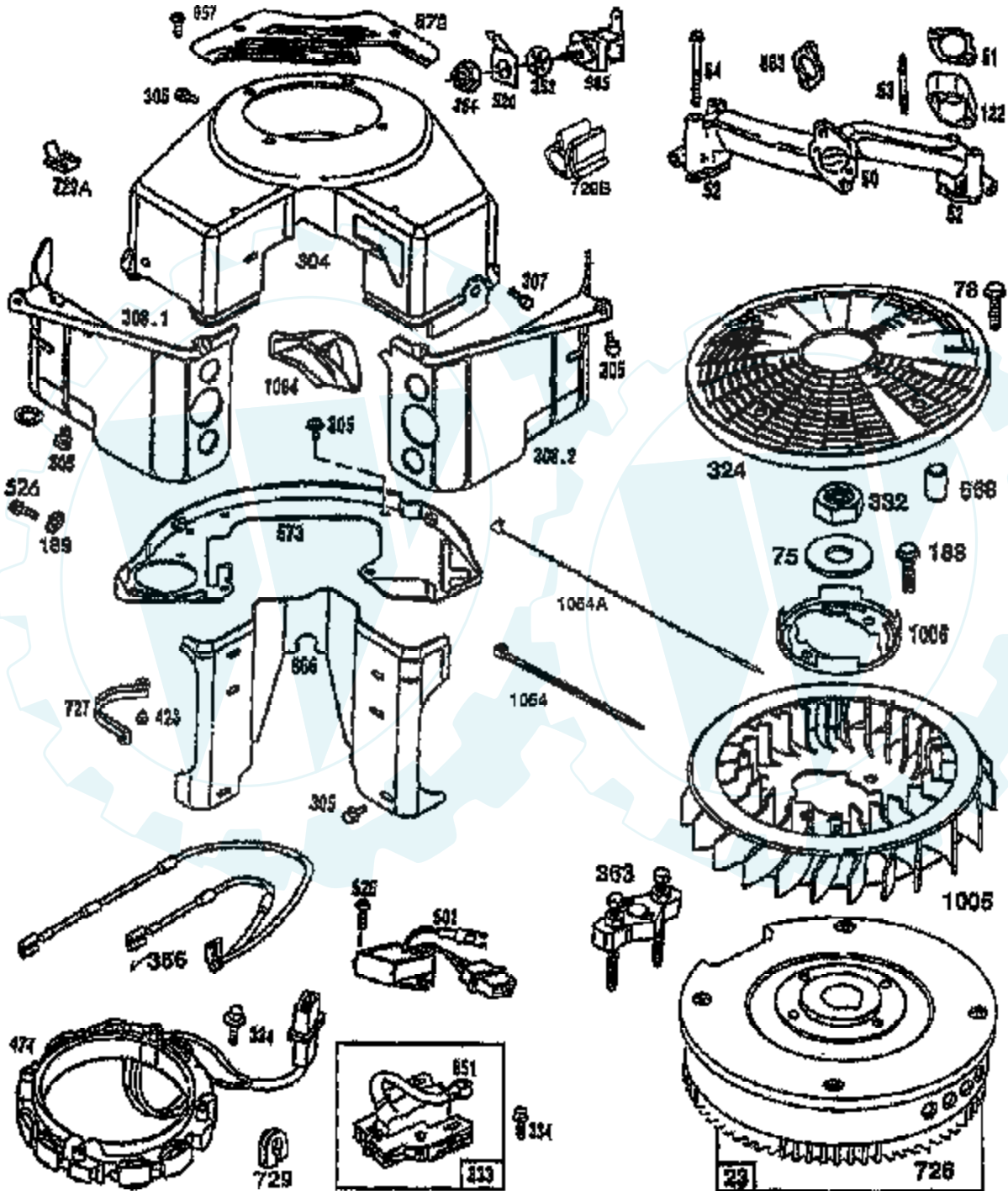
| Ref # | Part Number | Qty | Description                     |
|-------|-------------|-----|---------------------------------|
| 1     | 807787      |     | CYLINDER ASSEMBLY               |
| 2     | 805107      |     | BEARING, CYLINDER               |
| 3     | 805101      |     | SEAL, OIL                       |
| 5.1   | 807821      |     | HEAD, CYLINDER, CYLINDER #1     |
| 5.2   | 807822      |     | HEAD, CYLINDER 2                |
| 7     | 805653      |     | GASKET, CYLINDER HEAD           |
| 8     | 807795      |     | BREATHER ASSEMBLY               |
| 9     | 805379      |     | GASKET, BREATHER                |
| 10    | 805751      |     | SCREW                           |
| 11    | 805362      |     | TUBE, BREATHER                  |
| 12    | 805112      |     | GASKET, CRANKCASE COVER         |
| 13    | 805097      |     | SCREW, CYLINDER HEAD            |
| 15    | 805048      |     | PLUG, OIL DRAIN                 |
| 16    | 807779      |     | CRANKSHAFT                      |
| 16    | 94196       |     | KEY, TIMING GEAR                |
| 18    | 807638      |     | COVER ASSEMBLY, CRANKCASE       |
| 20    | 805049      |     | SEAL, OIL                       |
| 22    | 805696      |     | SCREW, CRANKCASE COVER          |
| 23    | 808132      |     | FLYWHEEL, MAGNETO               |
| 24    | 805016      |     | KEY, FLYWHEEL                   |
| 25    | 807888      |     | PISTON ASSEMBLY, STANDARD SIZE  |
| 25    | 807991      |     | PISTON ASSEMBLY                 |
| 25    | 807992      |     | PISTON ASSEMBLY                 |
| 25    | 807993      |     | PISTON ASSEMBLY                 |
| 26    | 807889      |     | RING SET, PISTON, STANDARD SIZE |
| 26    | 807994      |     | RING SET, PISTON                |
| 26    | 807995      |     | RING SET, PISTON                |
| 26    | 807996      |     | RING SET, PISTON                |
| 27    | 805099      |     | LOCK, PISTON PIN                |
| 28    | 807886      |     | PIN ASSEMBLY, PISTON, STANDARD  |
| 29    | 807900      |     | ROD ASSEMBLY, CONNECTING        |
| 32    | 805395      |     | SCREW, CONNECTING ROD           |
| 33    | 805089      |     | VALVE, EXHAUST                  |
| 34    | 805090      |     | VALVE, INTAKE                   |
| 35    | 805078      |     | SPRING, VALVE                   |
| 37    | 805506      |     | COVER, STARTER                  |
| 40    | 805092      |     | RETAINER, VALVE SPRING          |
| 42    | 805161      |     | RETAINER, VALVE                 |
| 45    | 262679      |     | TAPPET, VALVE                   |
| 46    | 807542      |     | GEAR, CAM                       |
| 50    | 805772      |     | MANIFOLD, INTAKE                |
| 51    | 805700      |     | GASKET, CARBURETOR MOUNTING     |
| 52    | 805023      |     | GASKET, INTAKE MANIFOLD         |
| 53    |             |     | CHECK WITH SUPPLIER             |
| 54    | 805006      |     | SCREW, SEMS                     |
| 75    | 805007      |     | WASHER, SPRING                  |
| 78    | 805447      |     | SCREW, SEMS                     |
| 84    | 914889      |     | PLUG, PIPE                      |
| 87    | 805054      |     | SEAL, GOVERNOR SHAFT            |
| 95    | 805561      |     | SCREW, VALVE MOUNTING           |
| 95A   | 94466       |     | SCREW, VALVE MOUNTING           |
| 98    | 807705      |     | SCREW, THROTTLE ADJUSTING       |
| 104   | 805586      |     | PIN, FLOAT HINGE                |
| 105   | 807706      |     | VALVE, FUEL INLET               |
| 108   | 805562      |     | VALVE, CHOKE                    |
| 116   | 805058      |     | O-RING, OIL PUMP                |
| 116A  | 805198      |     | O-RING, CRANKCASE COVER         |
| 116B  | 224531      |     | WASHER, BOWL                    |

| Ref # | Part Number | Qty | Description                         |
|-------|-------------|-----|-------------------------------------|
| 117   | 806109      |     | JET, MAIN                           |
| 118   | 808374      |     | VALVE, IDLE ADJ NEEDLE              |
| 121   | 807708      |     | CARBURETOR OVERHAUL KIT             |
| 122   | 805674      |     | SPACER, CARBURETOR                  |
| 125   | 808372      |     | CARBURETOR ASSEMBLY                 |
| 127   | 805570      |     | PLUG, WELCH                         |
| 127A  | 805571      |     | PLUG, WELCH                         |
| 130   | 808572      |     | VALVE, THROTTLE                     |
| 131   | 808375      |     | SHAFT, THROTTLE ASM                 |
| 133   | 807710      |     | FLOAT ASSEMBLY, CARBURETOR          |
| 137   |             |     | CHECK WITH SUPPLIER                 |
| 141   | 807711      |     | SHAFT, CHOKE                        |
| 142   | 806110      |     | NOZZLE, CARBURETOR                  |
| 161   | 807857      |     | BASE ASSEMBLY, AIR CLEANER          |
| 166   | 805343      |     | STUD, ROCKER ARM                    |
| 166A  | 805073      |     | STUD, OIL FILTER ADAPTER            |
| 167   | 805420      |     | WASHER, VALVE COVER                 |
| 171   | 805019      |     | NUT, NYLOCK                         |
| 187   | 393815      |     | HOSE (CUT TO SUIT)                  |
| 187   | 296004      |     | PIPE, FUEL                          |
| 188   | 94627       |     | SCREW, SEMS 3/4"                    |
| 188A  | 805247      |     | SCREW, STARTER MOUNTING             |
| 189   | 805449      |     | LOCK WASHER                         |
| 192   | 807623      |     | SCREW, VALVE ADJUSTMENT             |
| 201   | 805480      |     | LINK, GOVERNOR                      |
| 209   | 805462      |     | SPRING, GOVERNOR                    |
| 209A  | 805453      |     | SPRING, GOVERNED IDLE               |
| 216   | 805439      |     | LINK, CHOKE                         |
| 222   | 808195      |     | BRACKET, GOVERNOR CONTROL           |
| 227   | 807528      |     | LEVER ASSEMBLY, GOVERNOR            |
| 232   | 805465      |     | SPRING, GOVERNOR LINK               |
| 240   | 493629      |     | FILTER, FUEL (IN FUEL LINE TO TANK) |
| 243   | 805964      |     | SCREEN, OIL                         |
| 254   | 807713      |     | DRAIN, CARBURETOR BOWL              |
| 265   | 221535      |     | CLAMP                               |
| 271   | 808145      |     | BRACKET, CHOKE CONTROL              |
| 277   | 805018      |     | WASHER                              |
| 304   | 808220      |     | HOUSING, BLOWER, BLACK              |
| 305   | 805406      |     | SCREW, SEMS                         |
| 307   | 805025      |     | SCREW, SEMS                         |
| 308.1 | 808309      |     | COVER, AIR GUIDE, CYLINDER #1       |
| 308.2 | 808098      |     | COVER, AIR GUIDE, CYLINDER #2       |
| 309   | 494990      |     | MOTOR, STARTING                     |
| 310   | 94004       |     | BOLT                                |
| 324   | 494439      |     | SCREEN, ROTATING                    |
| 332   | 806028      |     | NUT, HEX                            |
| 333   | 492341      |     | ARMATURE, MAGNETO                   |
| 334   | 806104      |     | SCREW, MOUNTING                     |
| 337   | 491055      |     | PLUG, SPARK                         |
| 351   | 805169      |     | SCREW                               |
| 353   | 94791       |     | WASHER, LOCK                        |
| 353A  | 806101      |     | WASHER, LOCK, INTERNAL TOOTH        |
| 354   | 90576       |     | NUT, HEX                            |
| 354A  | 810078      |     | NUT, HEX WASHER HEAD                |
| 356   | 493792      |     | WIRE ASSEMBLY, GROUND               |
| 358   | 807887      |     | GASKET SET                          |
| 363   | 19203       |     | PULLER, FLYWHEEL                    |
| 387   | 808322      |     | PUMP, FUEL                          |

| Ref # | Part Number | Qty | Description                 |
|-------|-------------|-----|-----------------------------|
| 423   | 805260      |     | SCREW, SEMS                 |
| 445   | 394018      |     | CARTRIDGE, AIR CLEANER      |
| 467   | 491875      |     | KNOB, AIR CLEANER           |
| 474   | 393295      |     | STATOR, ALTERNATOR          |
| 501   | 394890      |     | REGULATOR, ALTERNATOR       |
| 510   | 495878      |     | STARTER DRIVE GROUP         |
| 513   | 398003      |     | CLUTCH ASSEMBLY             |
| 520   | 93722       |     | TERMINAL, SPADE             |
| 523   | 807985      |     | DIPSTICK                    |
| 524   | 805011      |     | SEAL, FILLER TUBE           |
| 525   | 807611      |     | TUBE, OIL FILLER            |
| 526   | 805448      |     | SCREW, REGULATOR MOUNTING   |
| 527   | 223167      |     | CLAMP, FUEL PUMP            |
| 535   | 272490      |     | ELEMENT, FILTER             |
| 537   | 805655      |     | GASKET, AIR CLEANER         |
| 544   | 490309      |     | ARMATURE ASSEMBLY           |
| 552   | 805412      |     | BUSHING, GOVERNOR SHAFT     |
| 552A  | 805413      |     | BUSHING, GOVERNOR SHAFT     |
| 562   | 805381      |     | BOLT                        |
| 572   | 805197      |     | BAFFLE, BREATHER            |
| 573   | 807663      |     | BACK PLATE ASSEMBLY         |
| 592   | 805383      |     | NUT, HEX                    |
| 601   | 93053       |     | CLAMP, HOSE, GREEN          |
| 613   | 805158      |     | SCREW, SEMS                 |
| 614   | 806096      |     | PIN, COTTER                 |
| 615   | 808578      |     | RETAINER                    |
| 615A  | 808577      |     | RETAINER                    |
| 616   | 807596      |     | FORK, GOVERNOR              |
| 634   | 805416      |     | WASHER, GOVERNOR SHAFT      |
| 634A  |             |     | CHECK WITH SUPPLIER         |
| 634B  | 805574      |     | COLLAR, THROTTLE            |
| 634C  | 806079      |     | SEAL, THROTTLE SHAFT        |
| 634D  | 805576      |     | WASHER, THROTTLE            |
| 635   | 805529      |     | ELBOW, SPARK PLUG           |
| 642   | 807862      |     | COVER ASSEMBLY, AIR CLEANER |
| 643   | 805631      |     | PLATE, AIR FILTER           |
| 657   | 805009      |     | SCREW, SEMS                 |
| 668   | 805402      |     | SPACER, ROTATING SCREEN     |
| 718   | 805103      |     | DOWEL, CRANKCASE            |
| 722   | 805483      |     | SEAL, BREATHER SCREW        |
| 726   | 807805      |     | GEAR, FLYWHEEL RING         |
| 727   | 805505      |     | SHIELD, STARTER             |
| 729   | 805641      |     | GROMMET, IGNITION CABLE     |
| 729A  | 224356      |     | CLIP, DEBRIS                |
| 729B  | 280470      |     | CLIP, WIRE                  |
| 741   | 805675      |     | GEAR, TIMING                |
| 783   | 280104      |     | GEAR, STARTER               |
| 788   | 807685      |     | BRACKET, FUEL PUMP          |
| 801   | 394856      |     | CAP, DRIVE                  |
| 802   | 494988      |     | CAP ASSEMBLY                |
| 803   | 494205      |     | HOUSING ASSEMBLY            |
| 819   | 805057      |     | SCREW, SEMS                 |
| 823   | 805317      |     | SCREW, MOUNTING             |
| 842   | 270920      |     | SEAL, OIL FILLER CAP        |
| 851   | 473880      |     | TERMINAL, IGNITION CABLE    |
| 862   | 807859      |     | BRACKET, AIR CLEANER        |
| 864   | 805083      |     | LINER, EXHAUST PORT         |
| 866   | 805738      |     | VALLEY, COVER, AIR GUIDE    |

| Ref # | Part Number | Qty | Description                |
|-------|-------------|-----|----------------------------|
| 868   | 805094      |     | SEAL, VALVE GUIDE          |
| 869   | 805085      |     | SEAT, INTAKE VALVE         |
| 870   | 805086      |     | SEAT, EXHAUST VALVE        |
| 871   | 805084      |     | GUIDE, VALVE               |
| 876   | 495877      |     | RETAINER AND PIN           |
| 879   | 805841      |     | COVER                      |
| 883   | 805024      |     | GASKET, EXHAUST MANIFOLD   |
| 896   | 94288       |     | ROLL PIN                   |
| 918   | 393815      |     | HOSE (CUT TO SUIT)         |
| 947   | 808154      |     | SOLENOID                   |
| 975   | 807913      |     | BOWL, FUEL ASSEMBLY        |
| 977   | 807916      |     | GASKET SET, CARBURETOR     |
| 978   | 805250      |     | GASKET, OIL FILTER ADAPTOR |
| 982   | 805030      |     | SCREW, SEMS                |
| 985   | 398525      |     | INSULATOR ASSEMBLY         |
| 1004  | 805632      |     | TUBE, AIR INLET            |
| 1005  | 808082      |     | FAN, FLYWHEEL              |
| 1006  | 224413      |     | RETAINER, FAN              |
| 1013  | 805581      |     | SEAL, CHOKE SHAFT          |
| 1014  | 807963      |     | SHIELD, CARBURETOR         |
| 1022  | 806039      |     | GASKET, VALVE COVER        |
| 1023  | 805100      |     | COVER, VALVE               |
| 1023  | 807665      |     | COVER, VALVE               |
| 1024  | 807546      |     | OIL PUMP ASSEMBLY          |
| 1025  | 805313      |     | SLIDER, GOVERNOR           |
| 1026  | 805352      |     | ROD, PUSH, INTAKE          |
| 1026A | 805617      |     | ROD, PUSH, EXHAUST         |
| 1027  | 492932      |     | FILTER, OIL                |
| 1028  | 805292      |     | ADAPTER, OIL FILTER        |
| 1029  | 808096      |     | ARM, ROCKER                |
| 1030  | 805342      |     | SHAFT, ROCKER ARM          |
| 1031  | 805341      |     | SUPPORT, ROCKER ARM        |
| 1033  | 807910      |     | OVERHAUL KIT, VALVE        |
| 1036  | 807688      |     | BREATHER GASKET SET        |
| 1037  | 807217      |     | BALL, CHOKE LOCATOR        |
| 1054  | 280275      |     | TIE, CABLE                 |
| 1054A | 270723      |     | TIE, CABLE                 |
| 1058  | 272104      |     | MANUAL, OPERATOR'S         |
| 1091  | 805858      |     | CAP, LIMITER               |
|       | 807708      |     | CARBURETOR OVERHAUL KIT    |

**TRACTOR -- MODEL NUMBER AYP9167D79**  
**BRIGGS & STRATTON ENGINE - MODEL NUMBER 350777, TYPE NUMBER 0034-A1**



| Ref # | Part Number | Qty | Description                            |
|-------|-------------|-----|--|
|       | 1           |     | 807787 CYLINDER ASSEMBLY               |
|       | 2           |     | 805107 BEARING, CYLINDER               |
|       | 3           |     | 805101 SEAL, OIL                       |
|       | 5.1         |     | 807821 HEAD, CYLINDER, CYLINDER #1     |
|       | 5.2         |     | 807822 HEAD, CYLINDER 2                |
|       | 7           |     | 805653 GASKET, CYLINDER HEAD           |
|       | 8           |     | 807795 BREATHER ASSEMBLY               |
|       | 9           |     | 805379 GASKET, BREATHER                |
|       | 10          |     | 805751 SCREW                           |
|       | 11          |     | 805362 TUBE, BREATHER                  |
|       | 12          |     | 805112 GASKET, CRANKCASE COVER         |
|       | 13          |     | 805097 SCREW, CYLINDER HEAD            |
|       | 15          |     | 805048 PLUG, OIL DRAIN                 |
|       | 16          |     | 807779 CRANKSHAFT                      |
|       | 16          |     | 94196 KEY, TIMING GEAR                 |
|       | 18          |     | 807638 COVER ASSEMBLY, CRANKCASE       |
|       | 20          |     | 805049 SEAL, OIL                       |
|       | 22          |     | 805696 SCREW, CRANKCASE COVER          |
|       | 23          |     | 808132 FLYWHEEL, MAGNETO               |
|       | 24          |     | 805016 KEY, FLYWHEEL                   |
|       | 25          |     | 807888 PISTON ASSEMBLY, STANDARD SIZE  |
|       | 25          |     | 807991 PISTON ASSEMBLY                 |
|       | 25          |     | 807992 PISTON ASSEMBLY                 |
|       | 25          |     | 807993 PISTON ASSEMBLY                 |
|       | 26          |     | 807889 RING SET, PISTON, STANDARD SIZE |
|       | 26          |     | 807994 RING SET, PISTON                |
|       | 26          |     | 807995 RING SET, PISTON                |
|       | 26          |     | 807996 RING SET, PISTON                |
|       | 27          |     | 805099 LOCK, PISTON PIN                |
|       | 28          |     | 807886 PIN ASSEMBLY, PISTON, STANDARD  |
|       | 29          |     | 807900 ROD ASSEMBLY, CONNECTING        |
|       | 32          |     | 805395 SCREW, CONNECTING ROD           |
|       | 33          |     | 805089 VALVE, EXHAUST                  |
|       | 34          |     | 805090 VALVE, INTAKE                   |
|       | 35          |     | 805078 SPRING, VALVE                   |
|       | 37          |     | 805506 COVER, STARTER                  |
|       | 40          |     | 805092 RETAINER, VALVE SPRING          |
|       | 42          |     | 805161 RETAINER, VALVE                 |
|       | 45          |     | 262679 TAPPET, VALVE                   |
|       | 46          |     | 807542 GEAR, CAM                       |
|       | 50          |     | 805772 MANIFOLD, INTAKE                |
|       | 51          |     | 805700 GASKET, CARBURETOR MOUNTING     |
|       | 52          |     | 805023 GASKET, INTAKE MANIFOLD         |
|       | 53          |     | CHECK WITH SUPPLIER                    |
|       | 54          |     | 805006 SCREW, SEMS                     |
|       | 75          |     | 805007 WASHER, SPRING                  |
|       | 78          |     | 805447 SCREW, SEMS                     |
|       | 84          |     | 914889 PLUG, PIPE                      |
|       | 87          |     | 805054 SEAL, GOVERNOR SHAFT            |
|       | 95          |     | 805561 SCREW, VALVE MOUNTING           |
|       | 95A         |     | 94466 SCREW, VALVE MOUNTING            |
|       | 98          |     | 807705 SCREW, THROTTLE ADJUSTING       |
|       | 104         |     | 805586 PIN, FLOAT HINGE                |
|       | 105         |     | 807706 VALVE, FUEL INLET               |
|       | 108         |     | 805562 VALVE, CHOKE                    |
|       | 116         |     | 805058 O-RING, OIL PUMP                |
|       | 116A        |     | 805198 O-RING, CRANKCASE COVER         |
|       | 116B        |     | 224531 WASHER, BOWL                    |

| Ref # | Part Number | Qty | Description                         |
|-------|-------------|-----|-------------------------------------|
| 117   | 806109      |     | JET, MAIN                           |
| 118   | 808374      |     | VALVE, IDLE ADJ NEEDLE              |
| 121   | 807708      |     | CARBURETOR OVERHAUL KIT             |
| 122   | 805674      |     | SPACER, CARBURETOR                  |
| 125   | 808372      |     | CARBURETOR ASSEMBLY                 |
| 127   | 805570      |     | PLUG, WELCH                         |
| 127A  | 805571      |     | PLUG, WELCH                         |
| 130   | 808572      |     | VALVE, THROTTLE                     |
| 131   | 808375      |     | SHAFT, THROTTLE ASM                 |
| 133   | 807710      |     | FLOAT ASSEMBLY, CARBURETOR          |
| 137   |             |     | CHECK WITH SUPPLIER                 |
| 141   | 807711      |     | SHAFT, CHOKE                        |
| 142   | 806110      |     | NOZZLE, CARBURETOR                  |
| 161   | 807857      |     | BASE ASSEMBLY, AIR CLEANER          |
| 166   | 805343      |     | STUD, ROCKER ARM                    |
| 166A  | 805073      |     | STUD, OIL FILTER ADAPTER            |
| 167   | 805420      |     | WASHER, VALVE COVER                 |
| 171   | 805019      |     | NUT, NYLOCK                         |
| 187   | 393815      |     | HOSE (CUT TO SUIT)                  |
| 187   | 296004      |     | PIPE, FUEL                          |
| 188   | 94627       |     | SCREW, SEMS 3/4"                    |
| 188A  | 805247      |     | SCREW, STARTER MOUNTING             |
| 189   | 805449      |     | LOCK WASHER                         |
| 192   | 807623      |     | SCREW, VALVE ADJUSTMENT             |
| 201   | 805480      |     | LINK, GOVERNOR                      |
| 209   | 805462      |     | SPRING, GOVERNOR                    |
| 209A  | 805453      |     | SPRING, GOVERNED IDLE               |
| 216   | 805439      |     | LINK, CHOKE                         |
| 222   | 808195      |     | BRACKET, GOVERNOR CONTROL           |
| 227   | 807528      |     | LEVER ASSEMBLY, GOVERNOR            |
| 232   | 805465      |     | SPRING, GOVERNOR LINK               |
| 240   | 493629      |     | FILTER, FUEL (IN FUEL LINE TO TANK) |
| 243   | 805964      |     | SCREEN, OIL                         |
| 254   | 807713      |     | DRAIN, CARBURETOR BOWL              |
| 265   | 221535      |     | CLAMP                               |
| 271   | 808145      |     | BRACKET, CHOKE CONTROL              |
| 277   | 805018      |     | WASHER                              |
| 304   | 808220      |     | HOUSING, BLOWER, BLACK              |
| 305   | 805406      |     | SCREW, SEMS                         |
| 307   | 805025      |     | SCREW, SEMS                         |
| 308.1 | 808309      |     | COVER, AIR GUIDE, CYLINDER #1       |
| 308.2 | 808098      |     | COVER, AIR GUIDE, CYLINDER #2       |
| 309   | 494990      |     | MOTOR, STARTING                     |
| 310   | 94004       |     | BOLT                                |
| 324   | 494439      |     | SCREEN, ROTATING                    |
| 332   | 806028      |     | NUT, HEX                            |
| 333   | 492341      |     | ARMATURE, MAGNETO                   |
| 334   | 806104      |     | SCREW, MOUNTING                     |
| 337   | 491055      |     | PLUG, SPARK                         |
| 351   | 805169      |     | SCREW                               |
| 353   | 94791       |     | WASHER, LOCK                        |
| 353A  | 806101      |     | WASHER, LOCK, INTERNAL TOOTH        |
| 354   | 90576       |     | NUT, HEX                            |
| 354A  | 810078      |     | NUT, HEX WASHER HEAD                |
| 356   | 493792      |     | WIRE ASSEMBLY, GROUND               |
| 358   | 807887      |     | GASKET SET                          |
| 363   | 19203       |     | PULLER, FLYWHEEL                    |
| 387   | 808322      |     | PUMP, FUEL                          |

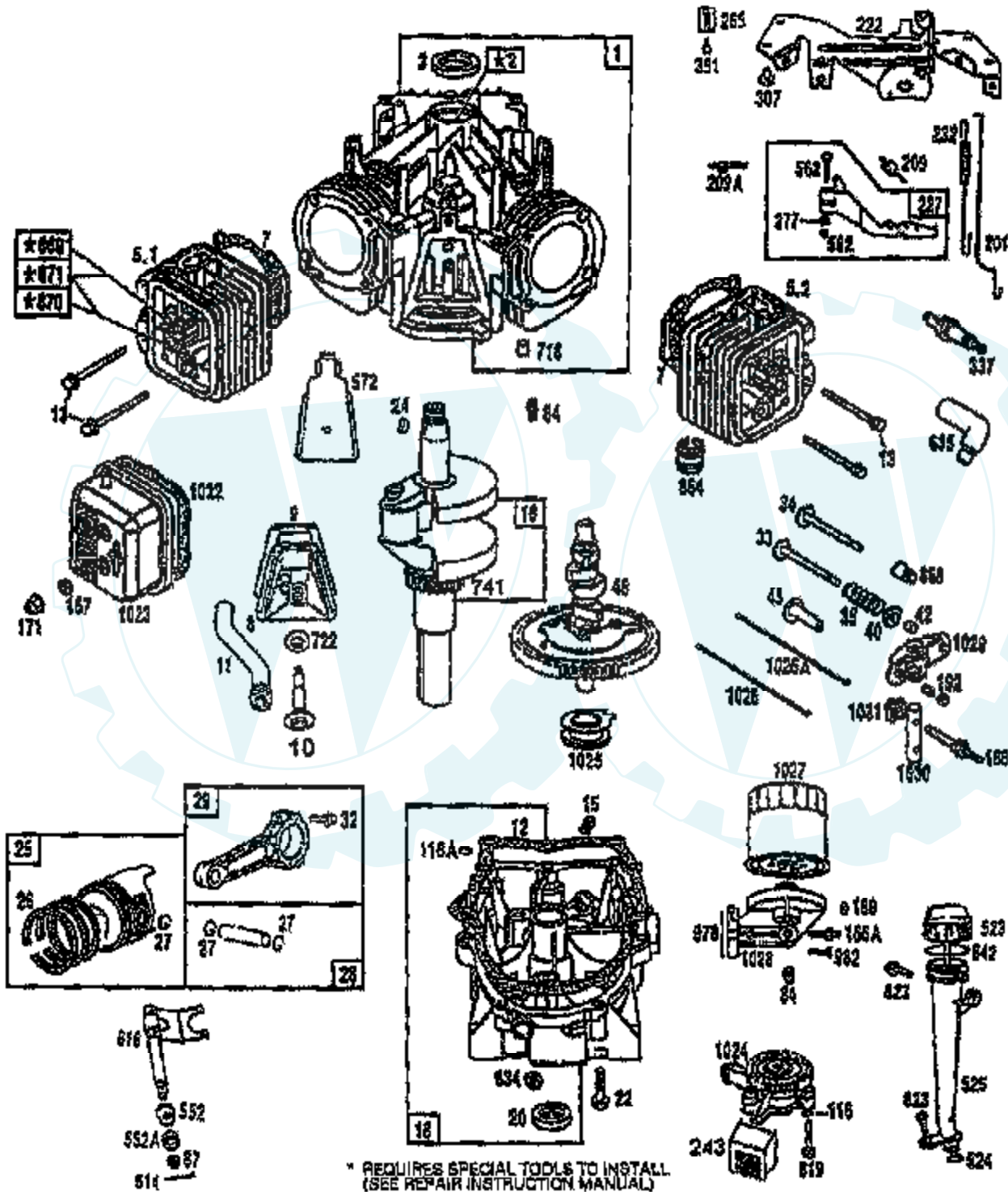


| Ref # | Part Number | Qty | Description                 |
|-------|-------------|-----|-----------------------------|
| 423   | 805260      |     | SCREW, SEMS                 |
| 445   | 394018      |     | CARTRIDGE, AIR CLEANER      |
| 467   | 491875      |     | KNOB, AIR CLEANER           |
| 474   | 393295      |     | STATOR, ALTERNATOR          |
| 501   | 394890      |     | REGULATOR, ALTERNATOR       |
| 510   | 495878      |     | STARTER DRIVE GROUP         |
| 513   | 398003      |     | CLUTCH ASSEMBLY             |
| 520   | 93722       |     | TERMINAL, SPADE             |
| 523   | 807985      |     | DIPSTICK                    |
| 524   | 805011      |     | SEAL, FILLER TUBE           |
| 525   | 807611      |     | TUBE, OIL FILLER            |
| 526   | 805448      |     | SCREW, REGULATOR MOUNTING   |
| 527   | 223167      |     | CLAMP, FUEL PUMP            |
| 535   | 272490      |     | ELEMENT, FILTER             |
| 537   | 805655      |     | GASKET, AIR CLEANER         |
| 544   | 490309      |     | ARMATURE ASSEMBLY           |
| 552   | 805412      |     | BUSHING, GOVERNOR SHAFT     |
| 552A  | 805413      |     | BUSHING, GOVERNOR SHAFT     |
| 562   | 805381      |     | BOLT                        |
| 572   | 805197      |     | BAFFLE, BREATHER            |
| 573   | 807663      |     | BACK PLATE ASSEMBLY         |
| 592   | 805383      |     | NUT, HEX                    |
| 601   | 93053       |     | CLAMP, HOSE, GREEN          |
| 613   | 805158      |     | SCREW, SEMS                 |
| 614   | 806096      |     | PIN, COTTER                 |
| 615   | 808578      |     | RETAINER                    |
| 615A  | 808577      |     | RETAINER                    |
| 616   | 807596      |     | FORK, GOVERNOR              |
| 634   | 805416      |     | WASHER, GOVERNOR SHAFT      |
| 634A  |             |     | CHECK WITH SUPPLIER         |
| 634B  | 805574      |     | COLLAR, THROTTLE            |
| 634C  | 806079      |     | SEAL, THROTTLE SHAFT        |
| 634D  | 805576      |     | WASHER, THROTTLE            |
| 635   | 805529      |     | ELBOW, SPARK PLUG           |
| 642   | 807862      |     | COVER ASSEMBLY, AIR CLEANER |
| 643   | 805631      |     | PLATE, AIR FILTER           |
| 657   | 805009      |     | SCREW, SEMS                 |
| 668   | 805402      |     | SPACER, ROTATING SCREEN     |
| 718   | 805103      |     | DOWEL, CRANKCASE            |
| 722   | 805483      |     | SEAL, BREATHER SCREW        |
| 726   | 807805      |     | GEAR, FLYWHEEL RING         |
| 727   | 805505      |     | SHIELD, STARTER             |
| 729   | 805641      |     | GROMMET, IGNITION CABLE     |
| 729A  | 224356      |     | CLIP, DEBRIS                |
| 729B  | 280470      |     | CLIP, WIRE                  |
| 741   | 805675      |     | GEAR, TIMING                |
| 783   | 280104      |     | GEAR, STARTER               |
| 788   | 807685      |     | BRACKET, FUEL PUMP          |
| 801   | 394856      |     | CAP, DRIVE                  |
| 802   | 494988      |     | CAP ASSEMBLY                |
| 803   | 494205      |     | HOUSING ASSEMBLY            |
| 819   | 805057      |     | SCREW, SEMS                 |
| 823   | 805317      |     | SCREW, MOUNTING             |
| 842   | 270920      |     | SEAL, OIL FILLER CAP        |
| 851   | 473880      |     | TERMINAL, IGNITION CABLE    |
| 862   | 807859      |     | BRACKET, AIR CLEANER        |
| 864   | 805083      |     | LINER, EXHAUST PORT         |
| 866   | 805738      |     | VALLEY, COVER, AIR GUIDE    |

| Ref # | Part Number | Qty | Description                |
|-------|-------------|-----|----------------------------|
| 868   | 805094      |     | SEAL, VALVE GUIDE          |
| 869   | 805085      |     | SEAT, INTAKE VALVE         |
| 870   | 805086      |     | SEAT, EXHAUST VALVE        |
| 871   | 805084      |     | GUIDE, VALVE               |
| 876   | 495877      |     | RETAINER AND PIN           |
| 879   | 805841      |     | COVER                      |
| 883   | 805024      |     | GASKET, EXHAUST MANIFOLD   |
| 896   | 94288       |     | ROLL PIN                   |
| 918   | 393815      |     | HOSE (CUT TO SUIT)         |
| 947   | 808154      |     | SOLENOID                   |
| 975   | 807913      |     | BOWL, FUEL ASSEMBLY        |
| 977   | 807916      |     | GASKET SET, CARBURETOR     |
| 978   | 805250      |     | GASKET, OIL FILTER ADAPTOR |
| 982   | 805030      |     | SCREW, SEMS                |
| 985   | 398525      |     | INSULATOR ASSEMBLY         |
| 1004  | 805632      |     | TUBE, AIR INLET            |
| 1005  | 808082      |     | FAN, FLYWHEEL              |
| 1006  | 224413      |     | RETAINER, FAN              |
| 1013  | 805581      |     | SEAL, CHOKE SHAFT          |
| 1014  | 807963      |     | SHIELD, CARBURETOR         |
| 1022  | 806039      |     | GASKET, VALVE COVER        |
| 1023  | 805100      |     | COVER, VALVE               |
| 1023  | 807665      |     | COVER, VALVE               |
| 1024  | 807546      |     | OIL PUMP ASSEMBLY          |
| 1025  | 805313      |     | SLIDER, GOVERNOR           |
| 1026  | 805352      |     | ROD, PUSH, INTAKE          |
| 1026A | 805617      |     | ROD, PUSH, EXHAUST         |
| 1027  | 492932      |     | FILTER, OIL                |
| 1028  | 805292      |     | ADAPTER, OIL FILTER        |
| 1029  | 808096      |     | ARM, ROCKER                |
| 1030  | 805342      |     | SHAFT, ROCKER ARM          |
| 1031  | 805341      |     | SUPPORT, ROCKER ARM        |
| 1033  | 807910      |     | OVERHAUL KIT, VALVE        |
| 1036  | 807688      |     | BREATHER GASKET SET        |
| 1037  | 807217      |     | BALL, CHOKE LOCATOR        |
| 1054  | 280275      |     | TIE, CABLE                 |
| 1054A | 270723      |     | TIE, CABLE                 |
| 1058  | 272104      |     | MANUAL, OPERATOR'S         |
| 1091  | 805858      |     | CAP, LIMITER               |
|       | 807708      |     | CARBURETOR OVERHAUL KIT    |

### TRACTOR - - MODEL NUMBER AYP9167D79

BRIGGS & STRATTON ENGINE - MODEL NUMBER 350777, TYPE NUMBER 0034-A1



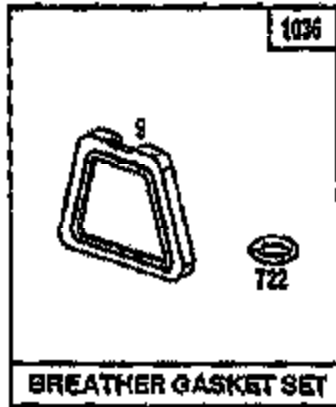
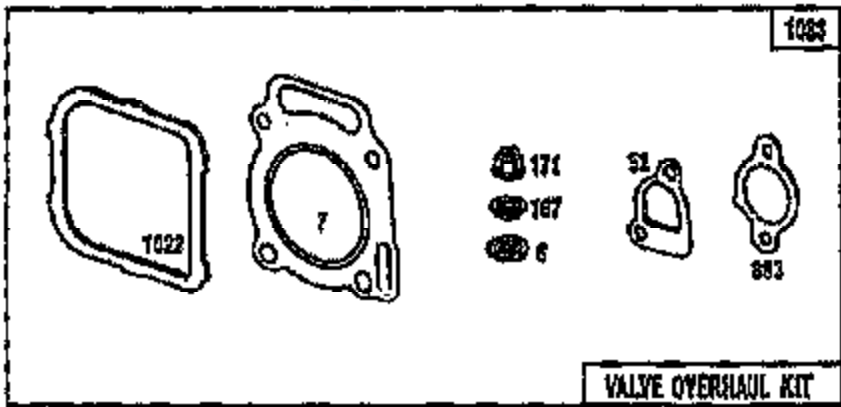
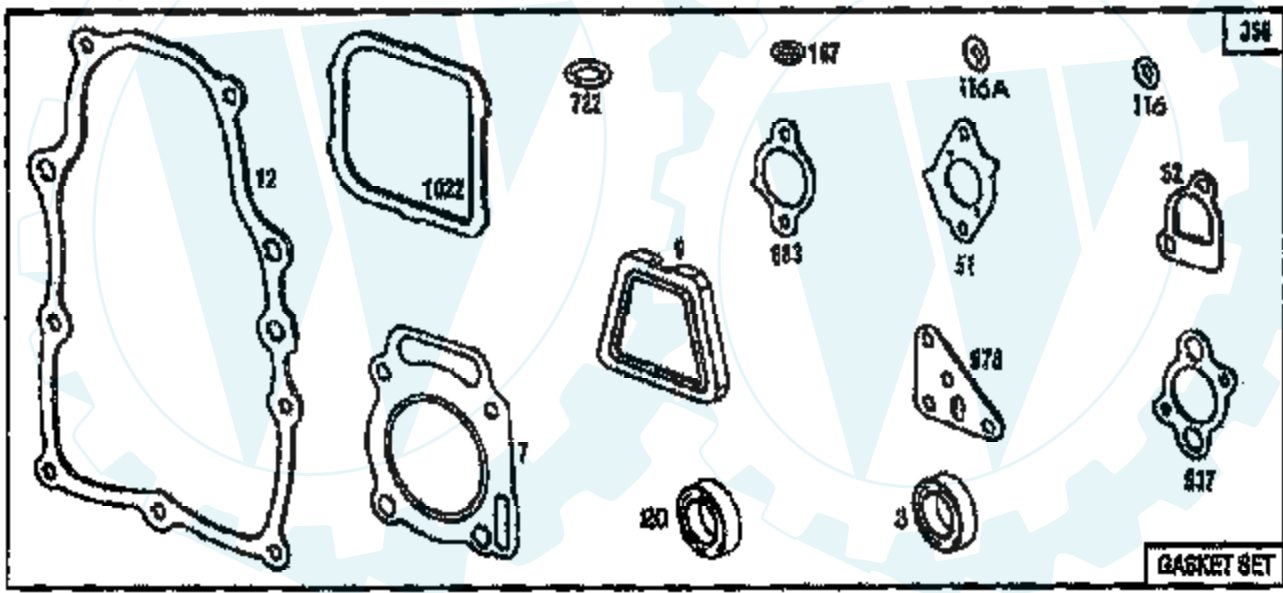
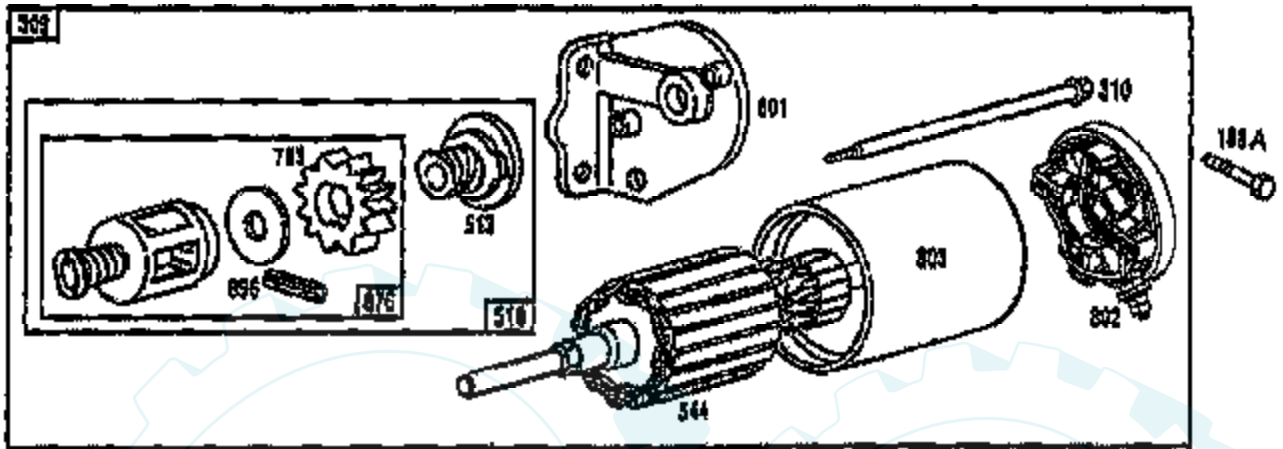
| Ref # | Part Number | Qty | Description                     |
|-------|-------------|-----|---------------------------------|
| 1     | 807787      |     | CYLINDER ASSEMBLY               |
| 2     | 805107      |     | BEARING, CYLINDER               |
| 3     | 805101      |     | SEAL, OIL                       |
| 5.1   | 807821      |     | HEAD, CYLINDER, CYLINDER #1     |
| 5.2   | 807822      |     | HEAD, CYLINDER 2                |
| 7     | 805653      |     | GASKET, CYLINDER HEAD           |
| 8     | 807795      |     | BREATHER ASSEMBLY               |
| 9     | 805379      |     | GASKET, BREATHER                |
| 10    | 805751      |     | SCREW                           |
| 11    | 805362      |     | TUBE, BREATHER                  |
| 12    | 805112      |     | GASKET, CRANKCASE COVER         |
| 13    | 805097      |     | SCREW, CYLINDER HEAD            |
| 15    | 805048      |     | PLUG, OIL DRAIN                 |
| 16    | 807779      |     | CRANKSHAFT                      |
| 16    | 94196       |     | KEY, TIMING GEAR                |
| 18    | 807638      |     | COVER ASSEMBLY, CRANKCASE       |
| 20    | 805049      |     | SEAL, OIL                       |
| 22    | 805696      |     | SCREW, CRANKCASE COVER          |
| 23    | 808132      |     | FLYWHEEL, MAGNETO               |
| 24    | 805016      |     | KEY, FLYWHEEL                   |
| 25    | 807888      |     | PISTON ASSEMBLY, STANDARD SIZE  |
| 25    | 807991      |     | PISTON ASSEMBLY                 |
| 25    | 807992      |     | PISTON ASSEMBLY                 |
| 25    | 807993      |     | PISTON ASSEMBLY                 |
| 26    | 807889      |     | RING SET, PISTON, STANDARD SIZE |
| 26    | 807994      |     | RING SET, PISTON                |
| 26    | 807995      |     | RING SET, PISTON                |
| 26    | 807996      |     | RING SET, PISTON                |
| 27    | 805099      |     | LOCK, PISTON PIN                |
| 28    | 807886      |     | PIN ASSEMBLY, PISTON, STANDARD  |
| 29    | 807900      |     | ROD ASSEMBLY, CONNECTING        |
| 32    | 805395      |     | SCREW, CONNECTING ROD           |
| 33    | 805089      |     | VALVE, EXHAUST                  |
| 34    | 805090      |     | VALVE, INTAKE                   |
| 35    | 805078      |     | SPRING, VALVE                   |
| 37    | 805506      |     | COVER, STARTER                  |
| 40    | 805092      |     | RETAINER, VALVE SPRING          |
| 42    | 805161      |     | RETAINER, VALVE                 |
| 45    | 262679      |     | TAPPET, VALVE                   |
| 46    | 807542      |     | GEAR, CAM                       |
| 50    | 805772      |     | MANIFOLD, INTAKE                |
| 51    | 805700      |     | GASKET, CARBURETOR MOUNTING     |
| 52    | 805023      |     | GASKET, INTAKE MANIFOLD         |
| 53    |             |     | CHECK WITH SUPPLIER             |
| 54    | 805006      |     | SCREW, SEMS                     |
| 75    | 805007      |     | WASHER, SPRING                  |
| 78    | 805447      |     | SCREW, SEMS                     |
| 84    | 914889      |     | PLUG, PIPE                      |
| 87    | 805054      |     | SEAL, GOVERNOR SHAFT            |
| 95    | 805561      |     | SCREW, VALVE MOUNTING           |
| 95A   | 94466       |     | SCREW, VALVE MOUNTING           |
| 98    | 807705      |     | SCREW, THROTTLE ADJUSTING       |
| 104   | 805586      |     | PIN, FLOAT HINGE                |
| 105   | 807706      |     | VALVE, FUEL INLET               |
| 108   | 805562      |     | VALVE, CHOKE                    |
| 116   | 805058      |     | O-RING, OIL PUMP                |
| 116A  | 805198      |     | O-RING, CRANKCASE COVER         |
| 116B  | 224531      |     | WASHER, BOWL                    |

| Ref # | Part Number | Qty | Description                         |
|-------|-------------|-----|-------------------------------------|
| 117   | 806109      |     | JET, MAIN                           |
| 118   | 808374      |     | VALVE, IDLE ADJ NEEDLE              |
| 121   | 807708      |     | CARBURETOR OVERHAUL KIT             |
| 122   | 805674      |     | SPACER, CARBURETOR                  |
| 125   | 808372      |     | CARBURETOR ASSEMBLY                 |
| 127   | 805570      |     | PLUG, WELCH                         |
| 127A  | 805571      |     | PLUG, WELCH                         |
| 130   | 808572      |     | VALVE, THROTTLE                     |
| 131   | 808375      |     | SHAFT, THROTTLE ASM                 |
| 133   | 807710      |     | FLOAT ASSEMBLY, CARBURETOR          |
| 137   |             |     | CHECK WITH SUPPLIER                 |
| 141   | 807711      |     | SHAFT, CHOKE                        |
| 142   | 806110      |     | NOZZLE, CARBURETOR                  |
| 161   | 807857      |     | BASE ASSEMBLY, AIR CLEANER          |
| 166   | 805343      |     | STUD, ROCKER ARM                    |
| 166A  | 805073      |     | STUD, OIL FILTER ADAPTER            |
| 167   | 805420      |     | WASHER, VALVE COVER                 |
| 171   | 805019      |     | NUT, NYLOCK                         |
| 187   | 393815      |     | HOSE (CUT TO SUIT)                  |
| 187   | 296004      |     | PIPE, FUEL                          |
| 188   | 94627       |     | SCREW, SEMS 3/4"                    |
| 188A  | 805247      |     | SCREW, STARTER MOUNTING             |
| 189   | 805449      |     | LOCK WASHER                         |
| 192   | 807623      |     | SCREW, VALVE ADJUSTMENT             |
| 201   | 805480      |     | LINK, GOVERNOR                      |
| 209   | 805462      |     | SPRING, GOVERNOR                    |
| 209A  | 805453      |     | SPRING, GOVERNED IDLE               |
| 216   | 805439      |     | LINK, CHOKE                         |
| 222   | 808195      |     | BRACKET, GOVERNOR CONTROL           |
| 227   | 807528      |     | LEVER ASSEMBLY, GOVERNOR            |
| 232   | 805465      |     | SPRING, GOVERNOR LINK               |
| 240   | 493629      |     | FILTER, FUEL (IN FUEL LINE TO TANK) |
| 243   | 805964      |     | SCREEN, OIL                         |
| 254   | 807713      |     | DRAIN, CARBURETOR BOWL              |
| 265   | 221535      |     | CLAMP                               |
| 271   | 808145      |     | BRACKET, CHOKE CONTROL              |
| 277   | 805018      |     | WASHER                              |
| 304   | 808220      |     | HOUSING, BLOWER, BLACK              |
| 305   | 805406      |     | SCREW, SEMS                         |
| 307   | 805025      |     | SCREW, SEMS                         |
| 308.1 | 808309      |     | COVER, AIR GUIDE, CYLINDER #1       |
| 308.2 | 808098      |     | COVER, AIR GUIDE, CYLINDER #2       |
| 309   | 494990      |     | MOTOR, STARTING                     |
| 310   | 94004       |     | BOLT                                |
| 324   | 494439      |     | SCREEN, ROTATING                    |
| 332   | 806028      |     | NUT, HEX                            |
| 333   | 492341      |     | ARMATURE, MAGNETO                   |
| 334   | 806104      |     | SCREW, MOUNTING                     |
| 337   | 491055      |     | PLUG, SPARK                         |
| 351   | 805169      |     | SCREW                               |
| 353   | 94791       |     | WASHER, LOCK                        |
| 353A  | 806101      |     | WASHER, LOCK, INTERNAL TOOTH        |
| 354   | 90576       |     | NUT, HEX                            |
| 354A  | 810078      |     | NUT, HEX WASHER HEAD                |
| 356   | 493792      |     | WIRE ASSEMBLY, GROUND               |
| 358   | 807887      |     | GASKET SET                          |
| 363   | 19203       |     | PULLER, FLYWHEEL                    |
| 387   | 808322      |     | PUMP, FUEL                          |

| Ref # | Part Number | Qty | Description                 |
|-------|-------------|-----|-----------------------------|
| 423   | 805260      |     | SCREW, SEMS                 |
| 445   | 394018      |     | CARTRIDGE, AIR CLEANER      |
| 467   | 491875      |     | KNOB, AIR CLEANER           |
| 474   | 393295      |     | STATOR, ALTERNATOR          |
| 501   | 394890      |     | REGULATOR, ALTERNATOR       |
| 510   | 495878      |     | STARTER DRIVE GROUP         |
| 513   | 398003      |     | CLUTCH ASSEMBLY             |
| 520   | 93722       |     | TERMINAL, SPADE             |
| 523   | 807985      |     | DIPSTICK                    |
| 524   | 805011      |     | SEAL, FILLER TUBE           |
| 525   | 807611      |     | TUBE, OIL FILLER            |
| 526   | 805448      |     | SCREW, REGULATOR MOUNTING   |
| 527   | 223167      |     | CLAMP, FUEL PUMP            |
| 535   | 272490      |     | ELEMENT, FILTER             |
| 537   | 805655      |     | GASKET, AIR CLEANER         |
| 544   | 490309      |     | ARMATURE ASSEMBLY           |
| 552   | 805412      |     | BUSHING, GOVERNOR SHAFT     |
| 552A  | 805413      |     | BUSHING, GOVERNOR SHAFT     |
| 562   | 805381      |     | BOLT                        |
| 572   | 805197      |     | BAFFLE, BREATHER            |
| 573   | 807663      |     | BACK PLATE ASSEMBLY         |
| 592   | 805383      |     | NUT, HEX                    |
| 601   | 93053       |     | CLAMP, HOSE, GREEN          |
| 613   | 805158      |     | SCREW, SEMS                 |
| 614   | 806096      |     | PIN, COTTER                 |
| 615   | 808578      |     | RETAINER                    |
| 615A  | 808577      |     | RETAINER                    |
| 616   | 807596      |     | FORK, GOVERNOR              |
| 634   | 805416      |     | WASHER, GOVERNOR SHAFT      |
| 634A  |             |     | CHECK WITH SUPPLIER         |
| 634B  | 805574      |     | COLLAR, THROTTLE            |
| 634C  | 806079      |     | SEAL, THROTTLE SHAFT        |
| 634D  | 805576      |     | WASHER, THROTTLE            |
| 635   | 805529      |     | ELBOW, SPARK PLUG           |
| 642   | 807862      |     | COVER ASSEMBLY, AIR CLEANER |
| 643   | 805631      |     | PLATE, AIR FILTER           |
| 657   | 805009      |     | SCREW, SEMS                 |
| 668   | 805402      |     | SPACER, ROTATING SCREEN     |
| 718   | 805103      |     | DOWEL, CRANKCASE            |
| 722   | 805483      |     | SEAL, BREATHER SCREW        |
| 726   | 807805      |     | GEAR, FLYWHEEL RING         |
| 727   | 805505      |     | SHIELD, STARTER             |
| 729   | 805641      |     | GROMMET, IGNITION CABLE     |
| 729A  | 224356      |     | CLIP, DEBRIS                |
| 729B  | 280470      |     | CLIP, WIRE                  |
| 741   | 805675      |     | GEAR, TIMING                |
| 783   | 280104      |     | GEAR, STARTER               |
| 788   | 807685      |     | BRACKET, FUEL PUMP          |
| 801   | 394856      |     | CAP, DRIVE                  |
| 802   | 494988      |     | CAP ASSEMBLY                |
| 803   | 494205      |     | HOUSING ASSEMBLY            |
| 819   | 805057      |     | SCREW, SEMS                 |
| 823   | 805317      |     | SCREW, MOUNTING             |
| 842   | 270920      |     | SEAL, OIL FILLER CAP        |
| 851   | 473880      |     | TERMINAL, IGNITION CABLE    |
| 862   | 807859      |     | BRACKET, AIR CLEANER        |
| 864   | 805083      |     | LINER, EXHAUST PORT         |
| 866   | 805738      |     | VALLEY, COVER, AIR GUIDE    |

| Ref # | Part Number | Qty | Description                |
|-------|-------------|-----|----------------------------|
| 868   | 805094      |     | SEAL, VALVE GUIDE          |
| 869   | 805085      |     | SEAT, INTAKE VALVE         |
| 870   | 805086      |     | SEAT, EXHAUST VALVE        |
| 871   | 805084      |     | GUIDE, VALVE               |
| 876   | 495877      |     | RETAINER AND PIN           |
| 879   | 805841      |     | COVER                      |
| 883   | 805024      |     | GASKET, EXHAUST MANIFOLD   |
| 896   | 94288       |     | ROLL PIN                   |
| 918   | 393815      |     | HOSE (CUT TO SUIT)         |
| 947   | 808154      |     | SOLENOID                   |
| 975   | 807913      |     | BOWL, FUEL ASSEMBLY        |
| 977   | 807916      |     | GASKET SET, CARBURETOR     |
| 978   | 805250      |     | GASKET, OIL FILTER ADAPTOR |
| 982   | 805030      |     | SCREW, SEMS                |
| 985   | 398525      |     | INSULATOR ASSEMBLY         |
| 1004  | 805632      |     | TUBE, AIR INLET            |
| 1005  | 808082      |     | FAN, FLYWHEEL              |
| 1006  | 224413      |     | RETAINER, FAN              |
| 1013  | 805581      |     | SEAL, CHOKE SHAFT          |
| 1014  | 807963      |     | SHIELD, CARBURETOR         |
| 1022  | 806039      |     | GASKET, VALVE COVER        |
| 1023  | 805100      |     | COVER, VALVE               |
| 1023  | 807665      |     | COVER, VALVE               |
| 1024  | 807546      |     | OIL PUMP ASSEMBLY          |
| 1025  | 805313      |     | SLIDER, GOVERNOR           |
| 1026  | 805352      |     | ROD, PUSH, INTAKE          |
| 1026A | 805617      |     | ROD, PUSH, EXHAUST         |
| 1027  | 492932      |     | FILTER, OIL                |
| 1028  | 805292      |     | ADAPTER, OIL FILTER        |
| 1029  | 808096      |     | ARM, ROCKER                |
| 1030  | 805342      |     | SHAFT, ROCKER ARM          |
| 1031  | 805341      |     | SUPPORT, ROCKER ARM        |
| 1033  | 807910      |     | OVERHAUL KIT, VALVE        |
| 1036  | 807688      |     | BREATHER GASKET SET        |
| 1037  | 807217      |     | BALL, CHOKE LOCATOR        |
| 1054  | 280275      |     | TIE, CABLE                 |
| 1054A | 270723      |     | TIE, CABLE                 |
| 1058  | 272104      |     | MANUAL, OPERATOR'S         |
| 1091  | 805858      |     | CAP, LIMITER               |
|       | 807708      |     | CARBURETOR OVERHAUL KIT    |

**TRACTOR -- MODEL NUMBER AYP9167D79**  
**BRIGGS & STRATTON ENGINE - MODEL NUMBER 350777, TYPE NUMBER 0034-A1**





| Ref # | Part Number | Qty | Description                     |
|-------|-------------|-----|---------------------------------|
| 1     | 807787      |     | CYLINDER ASSEMBLY               |
| 2     | 805107      |     | BEARING, CYLINDER               |
| 3     | 805101      |     | SEAL, OIL                       |
| 5.1   | 807821      |     | HEAD, CYLINDER, CYLINDER #1     |
| 5.2   | 807822      |     | HEAD, CYLINDER 2                |
| 7     | 805653      |     | GASKET, CYLINDER HEAD           |
| 8     | 807795      |     | BREATHER ASSEMBLY               |
| 9     | 805379      |     | GASKET, BREATHER                |
| 10    | 805751      |     | SCREW                           |
| 11    | 805362      |     | TUBE, BREATHER                  |
| 12    | 805112      |     | GASKET, CRANKCASE COVER         |
| 13    | 805097      |     | SCREW, CYLINDER HEAD            |
| 15    | 805048      |     | PLUG, OIL DRAIN                 |
| 16    | 807779      |     | CRANKSHAFT                      |
| 16    | 94196       |     | KEY, TIMING GEAR                |
| 18    | 807638      |     | COVER ASSEMBLY, CRANKCASE       |
| 20    | 805049      |     | SEAL, OIL                       |
| 22    | 805696      |     | SCREW, CRANKCASE COVER          |
| 23    | 808132      |     | FLYWHEEL, MAGNETO               |
| 24    | 805016      |     | KEY, FLYWHEEL                   |
| 25    | 807888      |     | PISTON ASSEMBLY, STANDARD SIZE  |
| 25    | 807991      |     | PISTON ASSEMBLY                 |
| 25    | 807992      |     | PISTON ASSEMBLY                 |
| 25    | 807993      |     | PISTON ASSEMBLY                 |
| 26    | 807889      |     | RING SET, PISTON, STANDARD SIZE |
| 26    | 807994      |     | RING SET, PISTON                |
| 26    | 807995      |     | RING SET, PISTON                |
| 26    | 807996      |     | RING SET, PISTON                |
| 27    | 805099      |     | LOCK, PISTON PIN                |
| 28    | 807886      |     | PIN ASSEMBLY, PISTON, STANDARD  |
| 29    | 807900      |     | ROD ASSEMBLY, CONNECTING        |
| 32    | 805395      |     | SCREW, CONNECTING ROD           |
| 33    | 805089      |     | VALVE, EXHAUST                  |
| 34    | 805090      |     | VALVE, INTAKE                   |
| 35    | 805078      |     | SPRING, VALVE                   |
| 37    | 805506      |     | COVER, STARTER                  |
| 40    | 805092      |     | RETAINER, VALVE SPRING          |
| 42    | 805161      |     | RETAINER, VALVE                 |
| 45    | 262679      |     | TAPPET, VALVE                   |
| 46    | 807542      |     | GEAR, CAM                       |
| 50    | 805772      |     | MANIFOLD, INTAKE                |
| 51    | 805700      |     | GASKET, CARBURETOR MOUNTING     |
| 52    | 805023      |     | GASKET, INTAKE MANIFOLD         |
| 53    |             |     | CHECK WITH SUPPLIER             |
| 54    | 805006      |     | SCREW, SEMS                     |
| 75    | 805007      |     | WASHER, SPRING                  |
| 78    | 805447      |     | SCREW, SEMS                     |
| 84    | 914889      |     | PLUG, PIPE                      |
| 87    | 805054      |     | SEAL, GOVERNOR SHAFT            |
| 95    | 805561      |     | SCREW, VALVE MOUNTING           |
| 95A   | 94466       |     | SCREW, VALVE MOUNTING           |
| 98    | 807705      |     | SCREW, THROTTLE ADJUSTING       |
| 104   | 805586      |     | PIN, FLOAT HINGE                |
| 105   | 807706      |     | VALVE, FUEL INLET               |
| 108   | 805562      |     | VALVE, CHOKE                    |
| 116   | 805058      |     | O-RING, OIL PUMP                |
| 116A  | 805198      |     | O-RING, CRANKCASE COVER         |
| 116B  | 224531      |     | WASHER, BOWL                    |

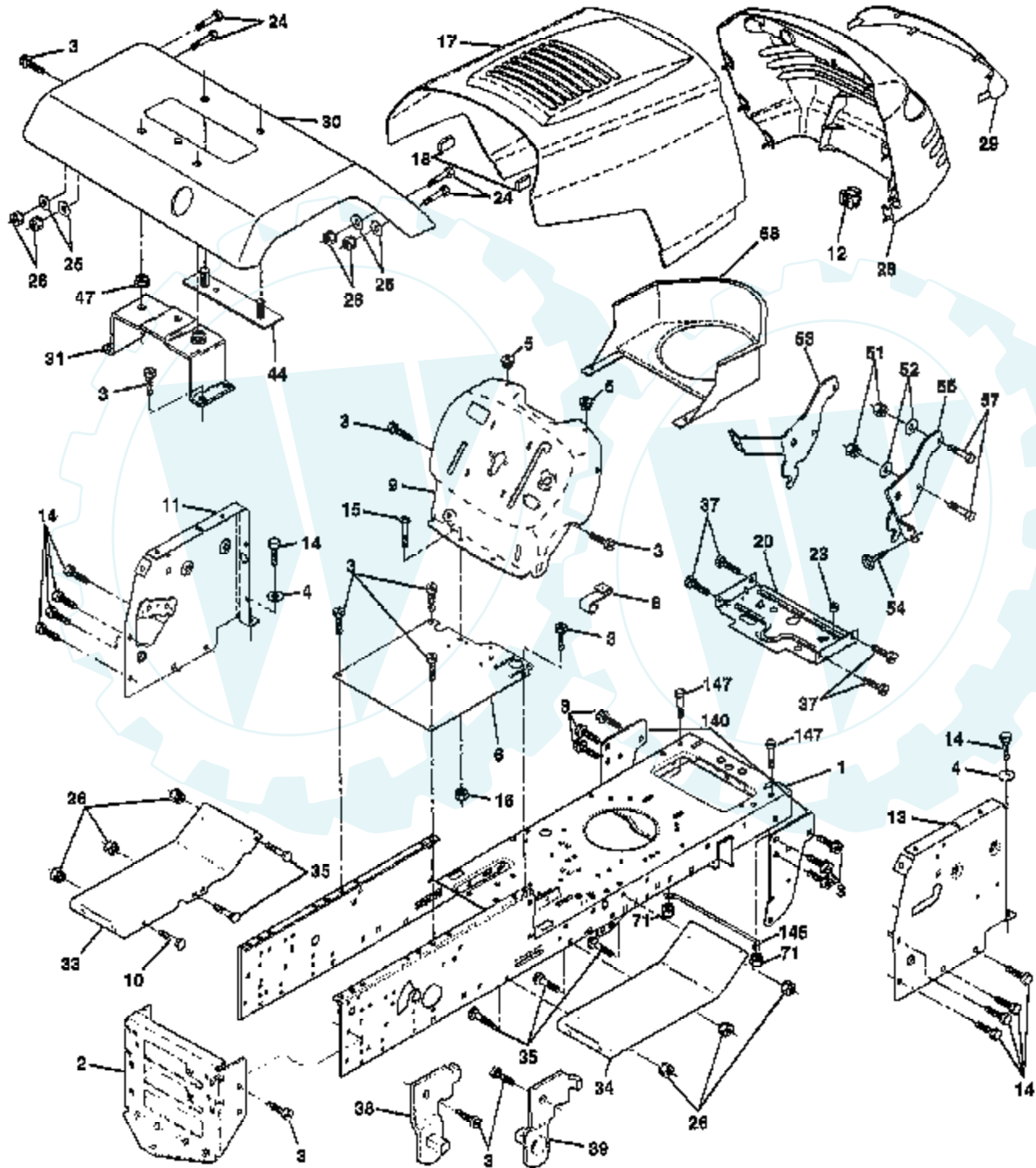
| Ref # | Part Number | Qty | Description                         |
|-------|-------------|-----|-------------------------------------|
| 117   | 806109      |     | JET, MAIN                           |
| 118   | 808374      |     | VALVE, IDLE ADJ NEEDLE              |
| 121   | 807708      |     | CARBURETOR OVERHAUL KIT             |
| 122   | 805674      |     | SPACER, CARBURETOR                  |
| 125   | 808372      |     | CARBURETOR ASSEMBLY                 |
| 127   | 805570      |     | PLUG, WELCH                         |
| 127A  | 805571      |     | PLUG, WELCH                         |
| 130   | 808572      |     | VALVE, THROTTLE                     |
| 131   | 808375      |     | SHAFT, THROTTLE ASM                 |
| 133   | 807710      |     | FLOAT ASSEMBLY, CARBURETOR          |
| 137   |             |     | CHECK WITH SUPPLIER                 |
| 141   | 807711      |     | SHAFT, CHOKE                        |
| 142   | 806110      |     | NOZZLE, CARBURETOR                  |
| 161   | 807857      |     | BASE ASSEMBLY, AIR CLEANER          |
| 166   | 805343      |     | STUD, ROCKER ARM                    |
| 166A  | 805073      |     | STUD, OIL FILTER ADAPTER            |
| 167   | 805420      |     | WASHER, VALVE COVER                 |
| 171   | 805019      |     | NUT, NYLOCK                         |
| 187   | 393815      |     | HOSE (CUT TO SUIT)                  |
| 187   | 296004      |     | PIPE, FUEL                          |
| 188   | 94627       |     | SCREW, SEMS 3/4"                    |
| 188A  | 805247      |     | SCREW, STARTER MOUNTING             |
| 189   | 805449      |     | LOCK WASHER                         |
| 192   | 807623      |     | SCREW, VALVE ADJUSTMENT             |
| 201   | 805480      |     | LINK, GOVERNOR                      |
| 209   | 805462      |     | SPRING, GOVERNOR                    |
| 209A  | 805453      |     | SPRING, GOVERNED IDLE               |
| 216   | 805439      |     | LINK, CHOKE                         |
| 222   | 808195      |     | BRACKET, GOVERNOR CONTROL           |
| 227   | 807528      |     | LEVER ASSEMBLY, GOVERNOR            |
| 232   | 805465      |     | SPRING, GOVERNOR LINK               |
| 240   | 493629      |     | FILTER, FUEL (IN FUEL LINE TO TANK) |
| 243   | 805964      |     | SCREEN, OIL                         |
| 254   | 807713      |     | DRAIN, CARBURETOR BOWL              |
| 265   | 221535      |     | CLAMP                               |
| 271   | 808145      |     | BRACKET, CHOKE CONTROL              |
| 277   | 805018      |     | WASHER                              |
| 304   | 808220      |     | HOUSING, BLOWER, BLACK              |
| 305   | 805406      |     | SCREW, SEMS                         |
| 307   | 805025      |     | SCREW, SEMS                         |
| 308.1 | 808309      |     | COVER, AIR GUIDE, CYLINDER #1       |
| 308.2 | 808098      |     | COVER, AIR GUIDE, CYLINDER #2       |
| 309   | 494990      |     | MOTOR, STARTING                     |
| 310   | 94004       |     | BOLT                                |
| 324   | 494439      |     | SCREEN, ROTATING                    |
| 332   | 806028      |     | NUT, HEX                            |
| 333   | 492341      |     | ARMATURE, MAGNETO                   |
| 334   | 806104      |     | SCREW, MOUNTING                     |
| 337   | 491055      |     | PLUG, SPARK                         |
| 351   | 805169      |     | SCREW                               |
| 353   | 94791       |     | WASHER, LOCK                        |
| 353A  | 806101      |     | WASHER, LOCK, INTERNAL TOOTH        |
| 354   | 90576       |     | NUT, HEX                            |
| 354A  | 810078      |     | NUT, HEX WASHER HEAD                |
| 356   | 493792      |     | WIRE ASSEMBLY, GROUND               |
| 358   | 807887      |     | GASKET SET                          |
| 363   | 19203       |     | PULLER, FLYWHEEL                    |
| 387   | 808322      |     | PUMP, FUEL                          |

| Ref # | Part Number | Qty | Description                 |
|-------|-------------|-----|-----------------------------|
| 423   | 805260      |     | SCREW, SEMS                 |
| 445   | 394018      |     | CARTRIDGE, AIR CLEANER      |
| 467   | 491875      |     | KNOB, AIR CLEANER           |
| 474   | 393295      |     | STATOR, ALTERNATOR          |
| 501   | 394890      |     | REGULATOR, ALTERNATOR       |
| 510   | 495878      |     | STARTER DRIVE GROUP         |
| 513   | 398003      |     | CLUTCH ASSEMBLY             |
| 520   | 93722       |     | TERMINAL, SPADE             |
| 523   | 807985      |     | DIPSTICK                    |
| 524   | 805011      |     | SEAL, FILLER TUBE           |
| 525   | 807611      |     | TUBE, OIL FILLER            |
| 526   | 805448      |     | SCREW, REGULATOR MOUNTING   |
| 527   | 223167      |     | CLAMP, FUEL PUMP            |
| 535   | 272490      |     | ELEMENT, FILTER             |
| 537   | 805655      |     | GASKET, AIR CLEANER         |
| 544   | 490309      |     | ARMATURE ASSEMBLY           |
| 552   | 805412      |     | BUSHING, GOVERNOR SHAFT     |
| 552A  | 805413      |     | BUSHING, GOVERNOR SHAFT     |
| 562   | 805381      |     | BOLT                        |
| 572   | 805197      |     | BAFFLE, BREATHER            |
| 573   | 807663      |     | BACK PLATE ASSEMBLY         |
| 592   | 805383      |     | NUT, HEX                    |
| 601   | 93053       |     | CLAMP, HOSE, GREEN          |
| 613   | 805158      |     | SCREW, SEMS                 |
| 614   | 806096      |     | PIN, COTTER                 |
| 615   | 808578      |     | RETAINER                    |
| 615A  | 808577      |     | RETAINER                    |
| 616   | 807596      |     | FORK, GOVERNOR              |
| 634   | 805416      |     | WASHER, GOVERNOR SHAFT      |
| 634A  |             |     | CHECK WITH SUPPLIER         |
| 634B  | 805574      |     | COLLAR, THROTTLE            |
| 634C  | 806079      |     | SEAL, THROTTLE SHAFT        |
| 634D  | 805576      |     | WASHER, THROTTLE            |
| 635   | 805529      |     | ELBOW, SPARK PLUG           |
| 642   | 807862      |     | COVER ASSEMBLY, AIR CLEANER |
| 643   | 805631      |     | PLATE, AIR FILTER           |
| 657   | 805009      |     | SCREW, SEMS                 |
| 668   | 805402      |     | SPACER, ROTATING SCREEN     |
| 718   | 805103      |     | DOWEL, CRANKCASE            |
| 722   | 805483      |     | SEAL, BREATHER SCREW        |
| 726   | 807805      |     | GEAR, FLYWHEEL RING         |
| 727   | 805505      |     | SHIELD, STARTER             |
| 729   | 805641      |     | GROMMET, IGNITION CABLE     |
| 729A  | 224356      |     | CLIP, DEBRIS                |
| 729B  | 280470      |     | CLIP, WIRE                  |
| 741   | 805675      |     | GEAR, TIMING                |
| 783   | 280104      |     | GEAR, STARTER               |
| 788   | 807685      |     | BRACKET, FUEL PUMP          |
| 801   | 394856      |     | CAP, DRIVE                  |
| 802   | 494988      |     | CAP ASSEMBLY                |
| 803   | 494205      |     | HOUSING ASSEMBLY            |
| 819   | 805057      |     | SCREW, SEMS                 |
| 823   | 805317      |     | SCREW, MOUNTING             |
| 842   | 270920      |     | SEAL, OIL FILLER CAP        |
| 851   | 473880      |     | TERMINAL, IGNITION CABLE    |
| 862   | 807859      |     | BRACKET, AIR CLEANER        |
| 864   | 805083      |     | LINER, EXHAUST PORT         |
| 866   | 805738      |     | VALLEY, COVER, AIR GUIDE    |

| Ref # | Part Number | Qty | Description                |
|-------|-------------|-----|----------------------------|
| 868   | 805094      |     | SEAL, VALVE GUIDE          |
| 869   | 805085      |     | SEAT, INTAKE VALVE         |
| 870   | 805086      |     | SEAT, EXHAUST VALVE        |
| 871   | 805084      |     | GUIDE, VALVE               |
| 876   | 495877      |     | RETAINER AND PIN           |
| 879   | 805841      |     | COVER                      |
| 883   | 805024      |     | GASKET, EXHAUST MANIFOLD   |
| 896   | 94288       |     | ROLL PIN                   |
| 918   | 393815      |     | HOSE (CUT TO SUIT)         |
| 947   | 808154      |     | SOLENOID                   |
| 975   | 807913      |     | BOWL, FUEL ASSEMBLY        |
| 977   | 807916      |     | GASKET SET, CARBURETOR     |
| 978   | 805250      |     | GASKET, OIL FILTER ADAPTOR |
| 982   | 805030      |     | SCREW, SEMS                |
| 985   | 398525      |     | INSULATOR ASSEMBLY         |
| 1004  | 805632      |     | TUBE, AIR INLET            |
| 1005  | 808082      |     | FAN, FLYWHEEL              |
| 1006  | 224413      |     | RETAINER, FAN              |
| 1013  | 805581      |     | SEAL, CHOKE SHAFT          |
| 1014  | 807963      |     | SHIELD, CARBURETOR         |
| 1022  | 806039      |     | GASKET, VALVE COVER        |
| 1023  | 805100      |     | COVER, VALVE               |
| 1023  | 807665      |     | COVER, VALVE               |
| 1024  | 807546      |     | OIL PUMP ASSEMBLY          |
| 1025  | 805313      |     | SLIDER, GOVERNOR           |
| 1026  | 805352      |     | ROD, PUSH, INTAKE          |
| 1026A | 805617      |     | ROD, PUSH, EXHAUST         |
| 1027  | 492932      |     | FILTER, OIL                |
| 1028  | 805292      |     | ADAPTER, OIL FILTER        |
| 1029  | 808096      |     | ARM, ROCKER                |
| 1030  | 805342      |     | SHAFT, ROCKER ARM          |
| 1031  | 805341      |     | SUPPORT, ROCKER ARM        |
| 1033  | 807910      |     | OVERHAUL KIT, VALVE        |
| 1036  | 807688      |     | BREATHER GASKET SET        |
| 1037  | 807217      |     | BALL, CHOKE LOCATOR        |
| 1054  | 280275      |     | TIE, CABLE                 |
| 1054A | 270723      |     | TIE, CABLE                 |
| 1058  | 272104      |     | MANUAL, OPERATOR'S         |
| 1091  | 805858      |     | CAP, LIMITER               |
|       | 807708      |     | CARBURETOR OVERHAUL KIT    |

### TRACTOR - - MODEL NUMBER AYP9167D79

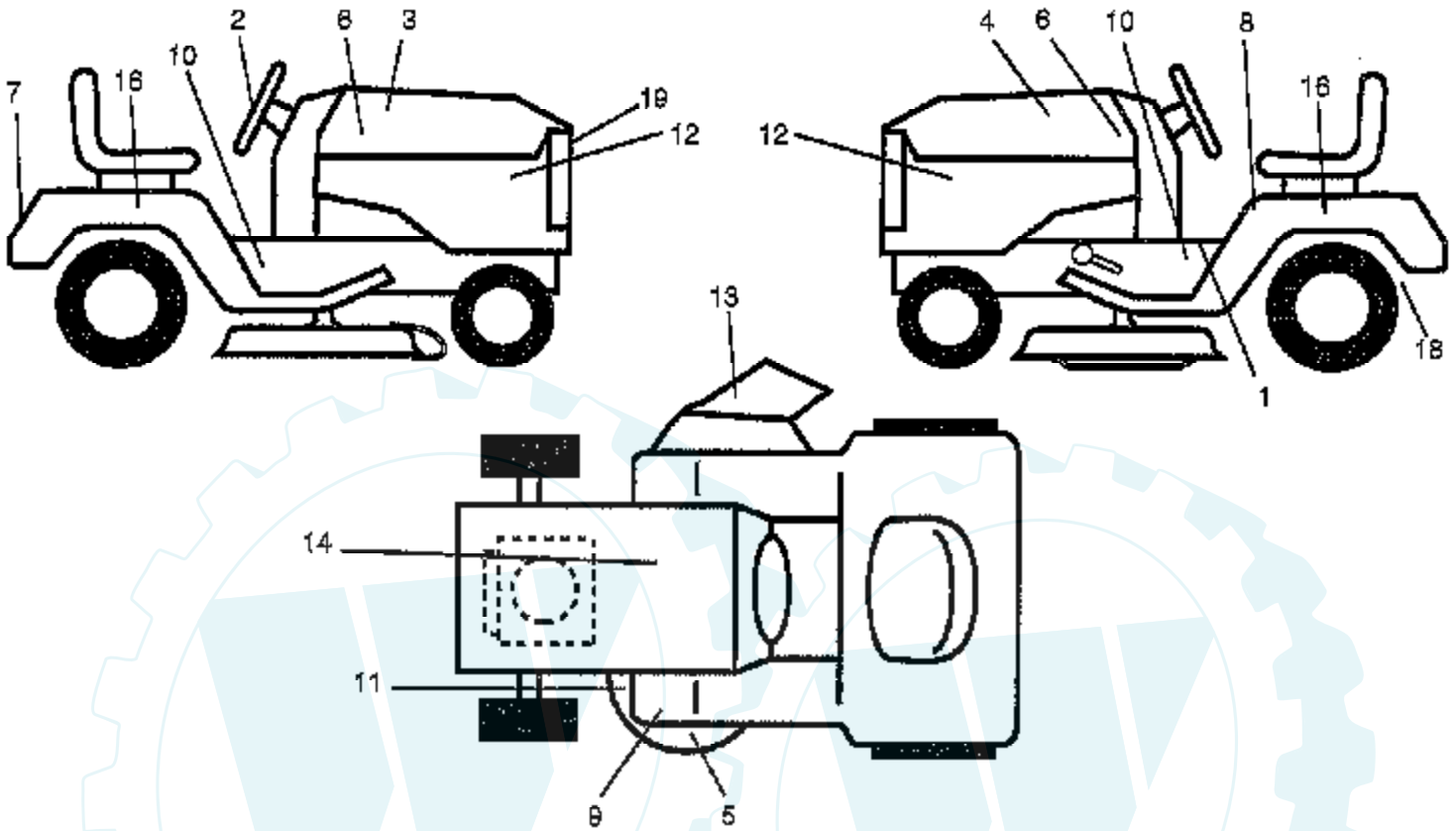
#### CHASSIS AND ENCLOSURES



| Ref # | Part Number | Qty | Description         |
|-------|-------------|-----|---------------------|
| 1     | 159530      |     | CHASSIS ASM         |
| 2     | 140356      |     | SUB= 145009         |
| 3     | 17490612    |     | SCREW               |
| 4     | 19131216    |     | WASHER              |
| 5     | 155272      |     | BUMPER-HOOD/DASH    |
| 6     | 155923      |     | SADDLE              |
| 8     | 126471X     |     | "CLIP,INSULATOR"    |
| 9     | 147633X011  |     | DASH SILKSCREEN     |
| 10    | 72140608    |     | SUB= 72110608       |
| 11    | 155927      |     | "PANEL-DASH,LH"     |
| 12    | 145660      |     | CLIP.TINNERMAN      |
| 13    | 155936      |     | "PANEL-DASH,RH"     |
| 14    | 17490608    |     | SCREW LT            |
| 15    | 74180512    |     | SCREW               |
| 16    | 73510500    |     | NUT                 |
| 17    | 159639X418  |     | HOOD.STEEL.ASSY     |
| 18    | 126938X     |     | SUB= 532126938      |
| 20    | 156437      |     | "PLATE-MTG,BATT/FU" |
| 23    | 124028X     |     | SUB= 532124028      |
| 24    | 74780616    |     | BOLT                |
| 25    | 19131312    |     | WASHER              |
| 26    | 73800600    |     | NUT                 |
| 28    | 157428      |     | GRILL               |
| 29    | 146654      |     | LENS.EURO.W/DECAL   |
| 30    | 140002X418  |     | FENDER.YT/GT        |
| 31    | 137113      |     | BRKT.ASM.FENDER     |
| 33    | 145244X418  |     | FOOTREST.LT.LT/GT   |
| 34    | 145243X418  |     | FOOTREST.RH.LT/GT   |
| 35    | 72110606    |     | BOLT                |
| 37    | 17490508    |     | SCREW LT            |
| 38    | 139886      |     | BRACKET ASM LH      |
| 39    | 139887      |     | BRACKET ASM RH      |
| 44    | 140675      |     | STRAP ASM FENDER    |
| 47    | 105531X     |     | NUT-PUSH YT         |
| 51    | 73800400    |     | NUT                 |
| 52    | 19091416    |     | WASHER              |
| 53    | 144697      |     | BRACKET.GRILLE.LH   |
| 54    | 17030814    |     | SUB= 91817030814    |
| 55    | 144696      |     | BRACKET.GRILLE.RH   |
| 57    | 74780412    |     | SUB= 74780414       |
| 58    | 150127      |     | AIR DUCT            |
| 71    | 73680400    |     | SUB= 73690400       |
| 140   | 158418      |     | BRKT SUSPENSION     |
| 145   | 156524      |     | "ROD POVOT,CHASSIS" |
| 147   | 74760412    |     | BOLT LT             |

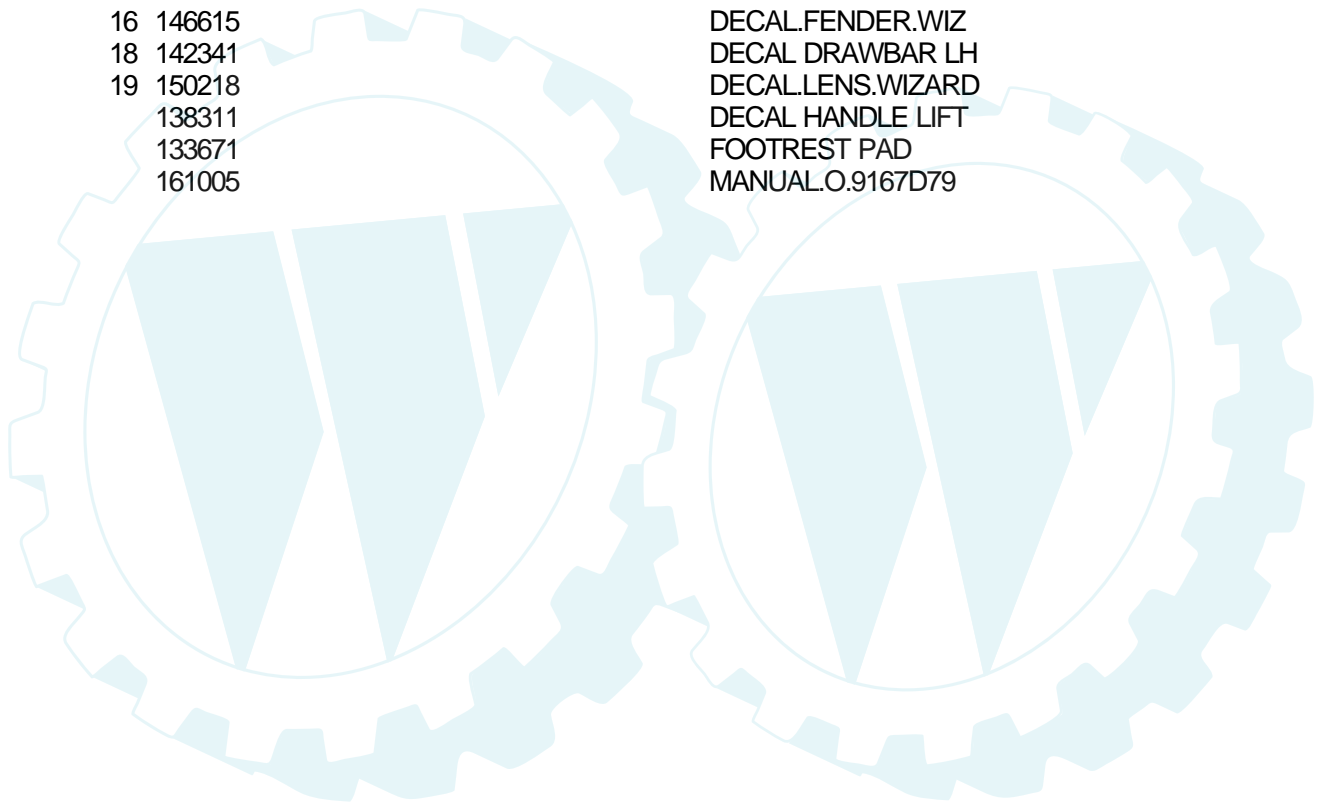
## TRACTOR -- MODEL NUMBER AYP9167D79

### DECALS



**NOTE:** All component dimensions given in U.S. Inches  
1 inch = 25.4 mm

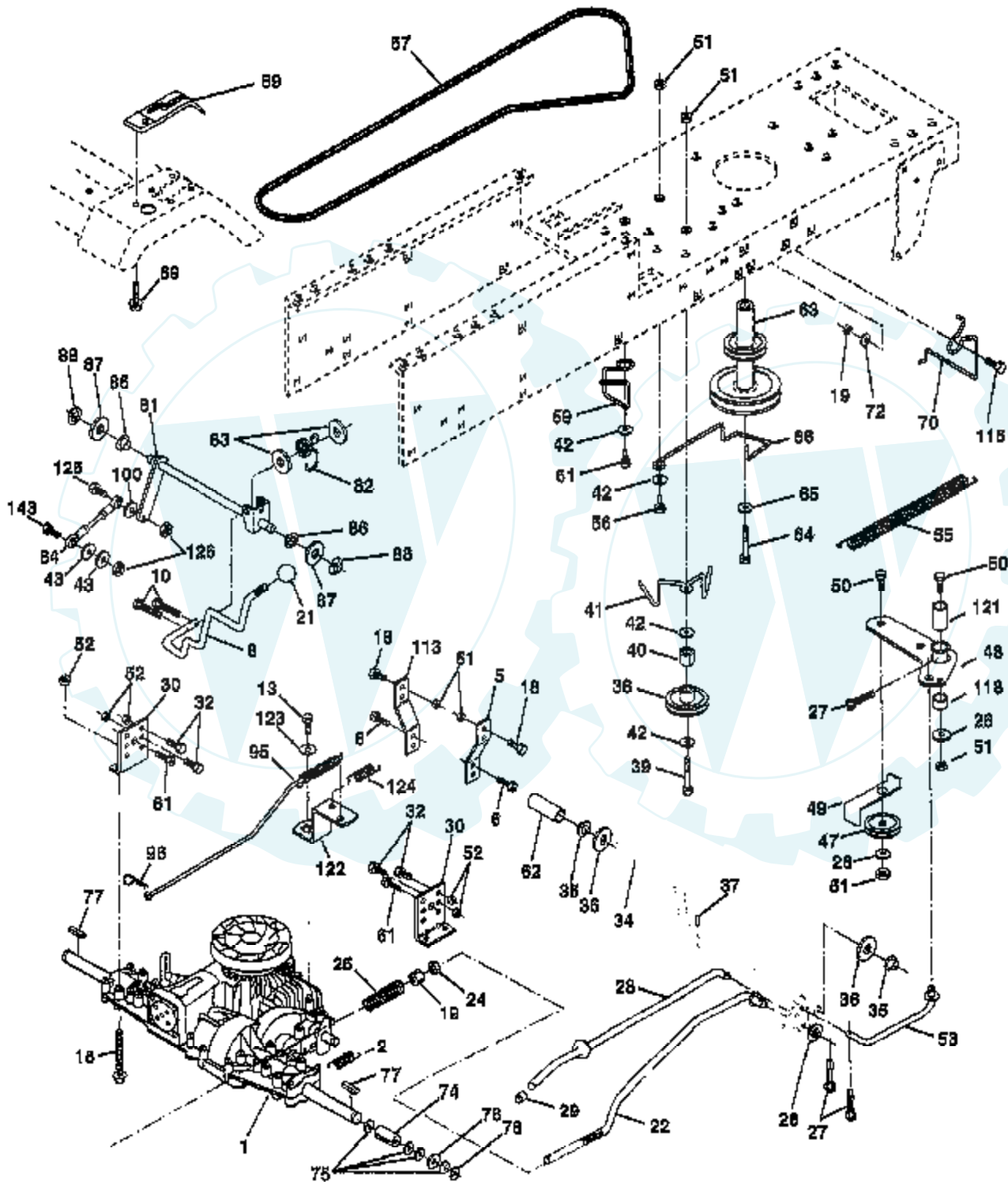
| Ref # | Part Number | Qty | Description          |
|-------|-------------|-----|----------------------|
| 1     | 156868      |     | "DECAL INST,SADDLE"  |
| 2     | 143470      |     | DECAL STEER WHL      |
| 3     | 141579      |     | DECAL HOOD RH        |
| 4     | 141580      |     | DECAL HOOD LH        |
| 5     | 141517      |     | DECAL DECK WIZ +     |
| 6     | 143388      |     | NAMEPLATE.HD.WIZA    |
| 7     | 127520      |     | NLA                  |
| 8     | 157002      |     | "DECAL DANGER,FEND"  |
| 9     | 4900J       |     | DECAL T              |
| 10    | 143349      |     | "DECAL.CHASSIS.42""" |
| 11    | 160396      |     | "DECAL-SCHEM,BELT"   |
| 12    | 158506      |     | "DECAL PANEL,SIDE"   |
| 13    | 141583      |     | DECAL DECK MULCH     |
| 14    | 145005      |     | DECAL.BATRY.3-3908   |
| 16    | 146615      |     | DECAL.FENDER.WIZ     |
| 18    | 142341      |     | DECAL DRAWBAR LH     |
| 19    | 150218      |     | DECAL.LENS.WIZARD    |
|       | 138311      |     | DECAL HANDLE LIFT    |
|       | 133671      |     | FOOTREST PAD         |
|       | 161005      |     | MANUAL.O.9167D79     |





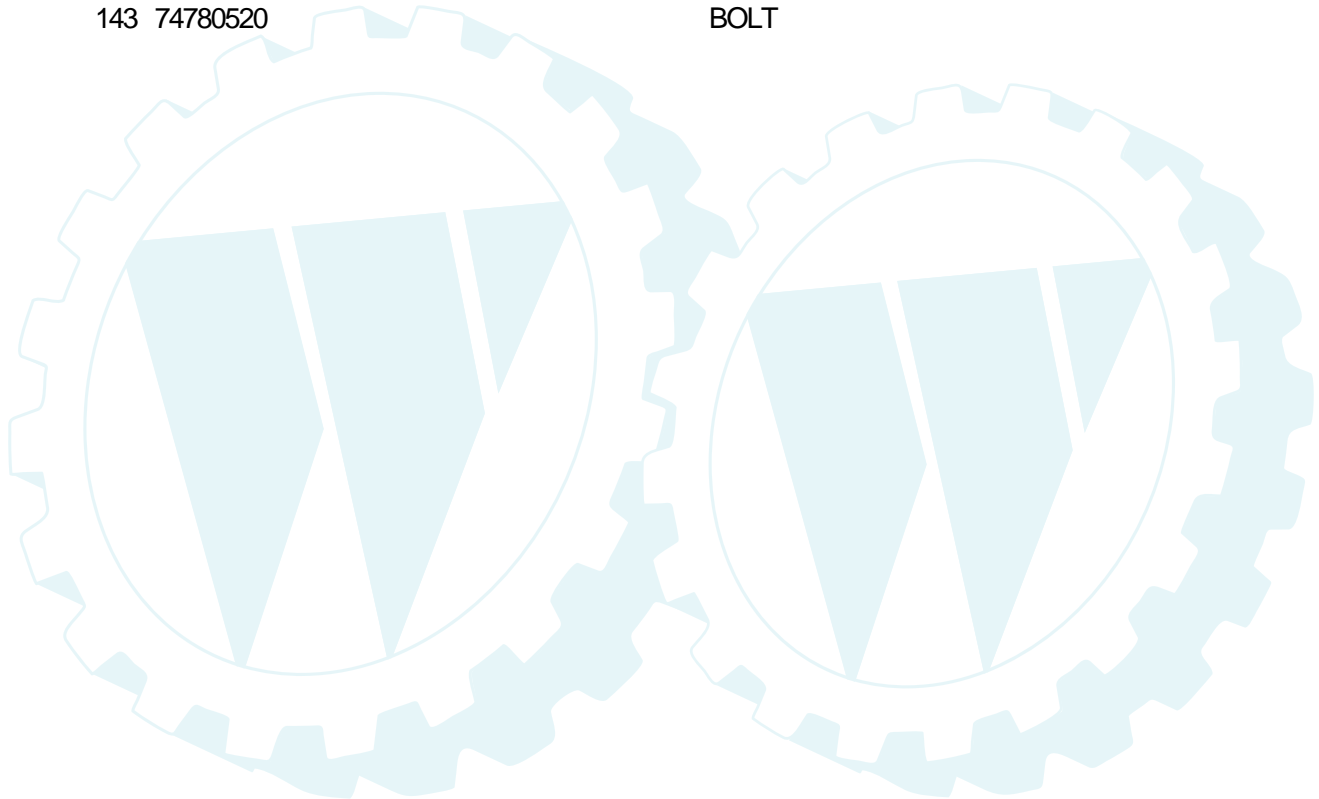
### TRACTOR - - MODEL NUMBER AYP9167D79

#### DRIVE



| Ref # | Part Number | Qty | Description         |
|-------|-------------|-----|---------------------|
| 2     | 146682      |     | SPRING.BRAKE.RETU   |
| 6     | 17490512    |     | SCREW               |
| 8     | 141002      |     | ROD SHIFT FEND YT   |
| 10    | 76020416    |     | PIN COTTER 1/8      |
| 13    | 74550412    |     | BOLT.1/4-28.W/PAT   |
| 15    | 74490544    |     | BOLT.HX.FLG.5/16    |
| 18    | 74780616    |     | BOLT                |
| 19    | 73800600    |     | NUT                 |
| 21    | 106933X     |     | KNOB T (1/2-HOLE)   |
| 22    | 130804      |     | BRAKE ROD           |
| 24    | 73350600    |     | NUT                 |
| 25    | 106888X     |     | SPRING ROD LT       |
| 26    | 19131316    |     | WASHER              |
| 27    | 76020412    |     | COTTER PIN          |
| 28    | 145204      |     | ROD.BRAKE.PARK.LT   |
| 29    | 124236X     |     | CAP                 |
| 30    | 130807      |     | TRANSAXLE MTG BKT   |
| 32    | 74760512    |     | BOLT                |
| 34    | 155071      |     | SHAFT ASM-PEDAL F   |
| 35    | 120183X     |     | NYLON BEARING       |
| 36    | 19211616    |     | WASHER LT           |
| 37    | 1572H       |     | SUB= 2882J          |
| 38    | 123674X     |     | PULLEY.IDLER.FLAT   |
| 39    | 74760644    |     | BOLT                |
| 40    | 4470J       |     | SPACER T            |
| 41    | 154777      |     | SUB= 165692         |
| 42    | 19131312    |     | WASHER              |
| 43    | 19111012    |     | WASHER T            |
| 47    | 127783      |     | SUB= 139245         |
| 48    | 154604      |     | BELLCRANK ASM       |
| 49    | 123205X     |     | RETAIN BELT         |
| 50    | 74760624    |     | SUB= 74930624       |
| 51    | 73680600    |     | SUB= 73690600       |
| 52    | 73680500    |     | SUB= 73690500       |
| 53    | 105710X     |     | "LINK, CLUTCH T"    |
| 55    | 105709X     |     | "SPRING, RETURN LT" |
| 56    | 74760620    |     | SUB= 74780620       |
| 57    | 156971      |     | "V-BELT,GRD DRIVE"  |
| 59    | 140312      |     | KEEPER BELT CNTSP   |
| 61    | 17490612    |     | SCREW               |
| 62    | 8883R       |     | PEDAL COVER T       |
| 63    | 140186      |     | PULLEY.ENGINE       |
| 64    | 71170764    |     | BOLT                |
| 65    | 10040700    |     | LOCKWASHER          |
| 66    | 154778      |     | KEEPER-BELT         |
| 69    | 142432      |     | SCREW HEXWSH H-L    |
| 70    | 134683      |     | KEEPER BELT ENG     |
| 72    | 19132012    |     | WASHER              |
| 75    | 121749X     |     | WASHER              |
| 76    | 12000001    |     | E-RING LT           |
| 77    | 123583X     |     | SQUARE KEY          |
| 78    | 121748X     |     | WASHER              |
| 81    | 156969      |     | SHAFT ASM CROSS     |
| 82    | 123782X     |     | "SPRING,TORSION"    |
| 83    | 19171216    |     | WASHER              |
| 84    | 156962      |     | "ROD TIE, PVST 20"" |
| 86    | 71208       |     | BUSHING             |
| 87    | 19212016    |     | WASHER D            |

| Ref # | Part Number | Qty | Description         |
|-------|-------------|-----|---------------------|
| 88    | 12000008    |     | KLIP RING           |
| 89    | 151146      |     | SUB= 164892         |
| 95    | 156970      |     | ROAD ASM BYPASS     |
| 96    |             |     | CHECK WITH SUPPLIER |
| 100   | 19111216    |     | WASHER M            |
| 113   | 127285X     |     | "STRAP,TORQUE"      |
| 116   | 72110610    |     | BOLT RDHD 3/8-16    |
| 118   | 154774      |     | SPACER-BELLCRANK    |
| 121   | 154419      |     | NYLINER-CLUTCHING   |
| 122   | 156963      |     | "PLATE-BYPASS,PVST" |
| 123   | 19091016    |     | WASHER              |
| 124   | 156967      |     | SPRING RETURN       |
| 125   | 74780516    |     | SUB= 77394          |
| 126   | 1685H       |     | SUB= 68478          |
| 143   | 74780520    |     | BOLT                |



### TRACTOR - - MODEL NUMBER AYP9167D79

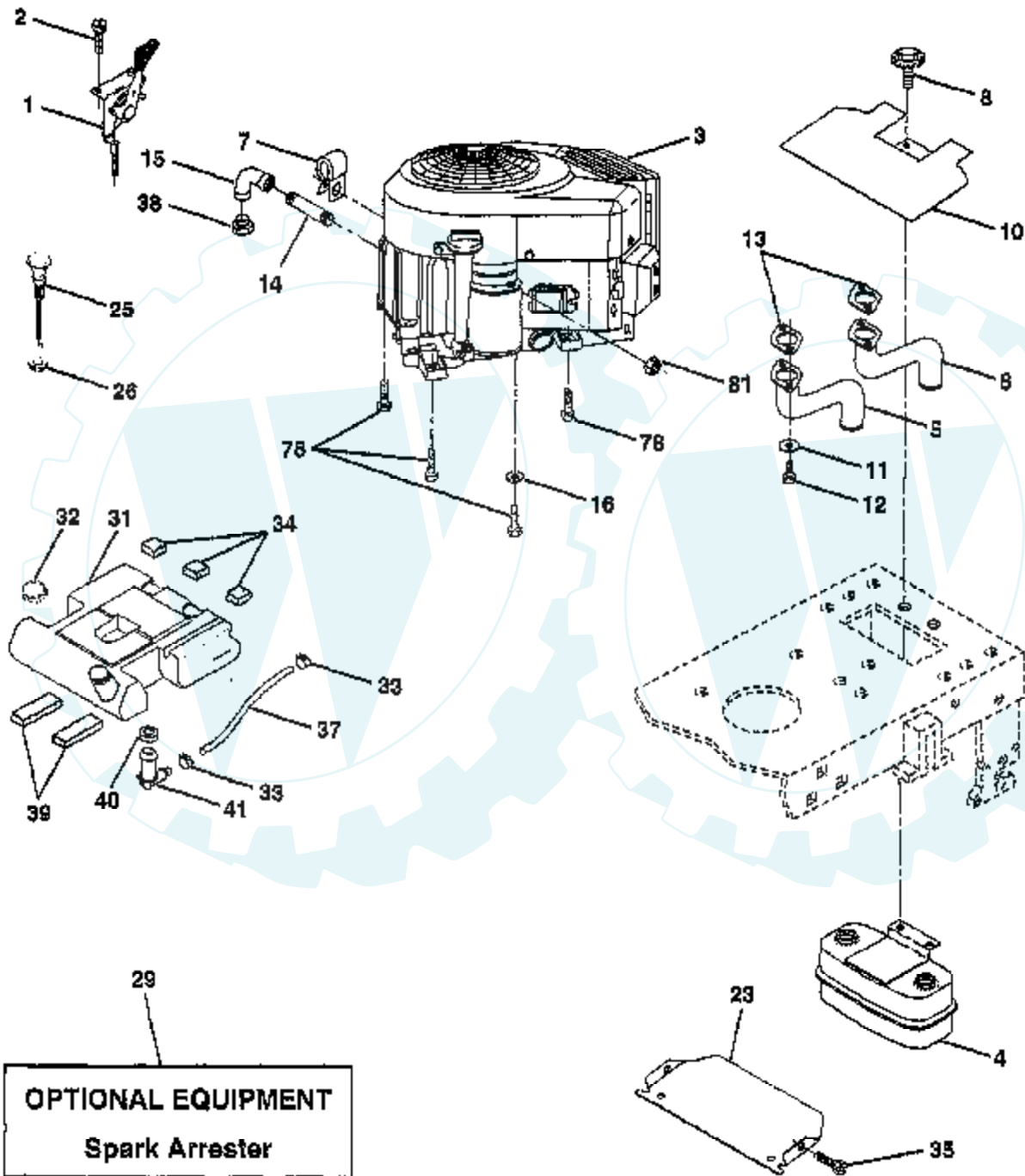
### ELECTRICAL



| Ref # | Part Number | Qty | Description         |
|-------|-------------|-----|---------------------|
| 1     | 144926      |     | SUB= 123899X        |
| 2     | 74760412    |     | BOLT LT             |
| 3     | 19091016    |     | WASHER              |
| 4     | 10040400    |     | LOCKWASHER          |
| 6     | 73220400    |     | SUB= 50675          |
| 7     | 7697J       |     | "DRAIN TU T, BATT"  |
| 8     | 7603J       |     | "TRAY T, BATTERY"   |
| 9     | 109596X     |     | HOSE CLAMP T        |
| 10    | 145211      |     | SUB= 150177         |
| 11    | 150109      |     | HOLDDOWN BATTERY    |
| 12    | 145769      |     | SUB= 150177         |
| 16    | 153664      |     | SWITCH INTERLOCK    |
| 19    | 10090400    |     | SUB= 10040400       |
| 20    | 73350400    |     | NUT                 |
| 21    | 136850      |     | "HARNES, LIGHT SOC" |
| 22    | 4152J       |     | HEADLAMP BULB       |
| 24    | 4799J       |     | "CABLE T, BATTERY"  |
| 25    | 146148      |     | CABLE.6GA.22W/16W   |
| 26    | 108824X     |     | FUSE HYT            |
| 28    | 145491      |     | CABLE.GRND.6GA.21   |
| 29    | 121305X     |     | SWITCH SEAT         |
| 30    | 140301      |     | SWITCH IGN 4POS     |
| 31    | 124211X     |     | NUT IGNITION        |
| 32    | 141226      |     | COVER KEY SWITCH    |
| 33    | 122147X     |     | KEY                 |
| 40    | 156442      |     | HARNES-IGNITION     |
| 41    | 71110408    |     | BOLT HXHD FIN       |
| 42    | 131563      |     | SUB= 154336         |
| 43    | 145673      |     | SUB= 146154         |
| 44    | 73640400    |     | NUT HXKEP 1/4X20    |
| 45    | 122822X     |     | AMMETER             |
| 52    | 141940      |     | PROTECTION LOOP     |
| 55    | 17490508    |     | SCREW LT            |
| 70    | 140424      |     | HARNES ENGINE       |

**TRACTOR -- MODEL NUMBER AYP9167D79**

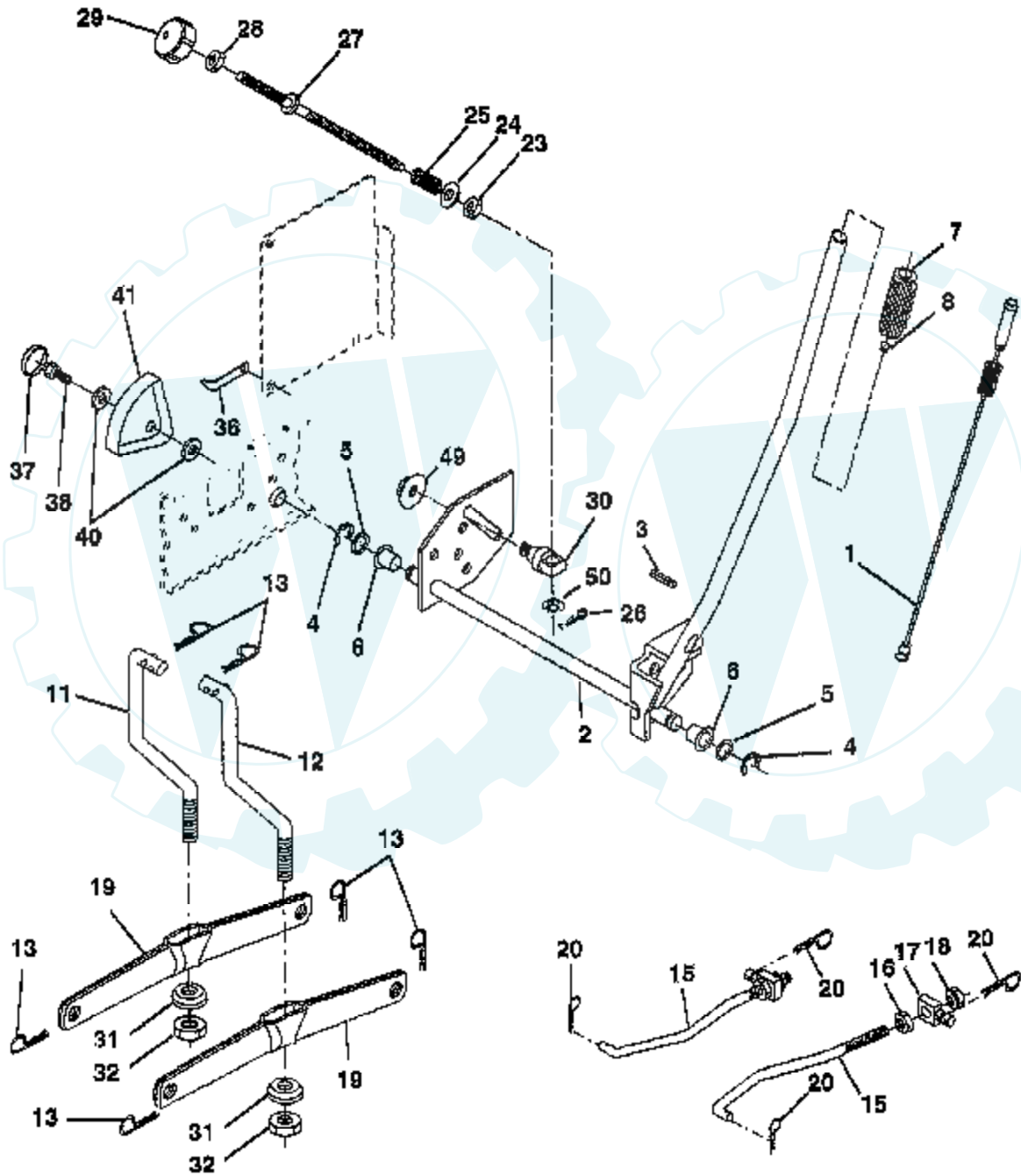
**ENGINE**



| Ref # | Part Number | Qty | Description         |
|-------|-------------|-----|---------------------|
| 1     | 148875      |     | CONTROL THROT. LH   |
| 2     | 17720410    |     | SCREW LT            |
| 4     | 149723      |     | MUFFLER.TW.LOTONE   |
| 5     | 122434X     |     | TUBE ASSY EXH LH    |
| 6     | 122435X     |     | TUBE ASSY EXH RH    |
| 7     | 138129      |     | CLAMP.TUBE.DBL.EN   |
| 8     | 150176      |     | BOLT.5/16-18.UNC    |
| 10    | 145552      |     | SHIELD.HEAT.        |
| 11    |             |     | CHECK WITH SUPPLIER |
| 12    |             |     | CHECK WITH SUPPLIER |
| 13    |             |     | CHECK WITH SUPPLIER |
| 14    | 13280336    |     | PIPE NIPPLE LT      |
| 15    | 13200300    |     | ELBOW               |
| 16    | 11050600    |     | LOCKWASHER          |
| 23    | 156123      |     | SHIELD-HEAT         |
| 25    | 145996      |     | CONTROL.CHOKE.37    |
| 26    | 73920600    |     | "NUT,KEPS 3/8-24IM" |
| 29    | 137180      |     | SUB= 532137180      |
| 31    | 151346      |     | TANK FUEL REAR      |
| 32    | 140527      |     | CAP ASM FUEL        |
| 33    | 123487X     |     | HOSE CLAMP          |
| 34    | 106082X     |     | PAD-SPACER LT       |
| 35    | 17490512    |     | SCREW               |
| 37    | 8543R       |     | FUEL LINE T         |
| 38    |             |     | CHECK WITH SUPPLIER |
| 39    | 109227X     |     | PAD IDLER TI        |
| 40    | 3645J       |     | BUSHING OUTLET T    |
| 41    | 139277      |     | STEM.TANK.FUEL      |
| 78    | 17490620    |     | SCREW               |
| 81    | 128861      |     | NUT                 |

**TRACTOR - - MODEL NUMBER AYP9167D79**

**LIFT**

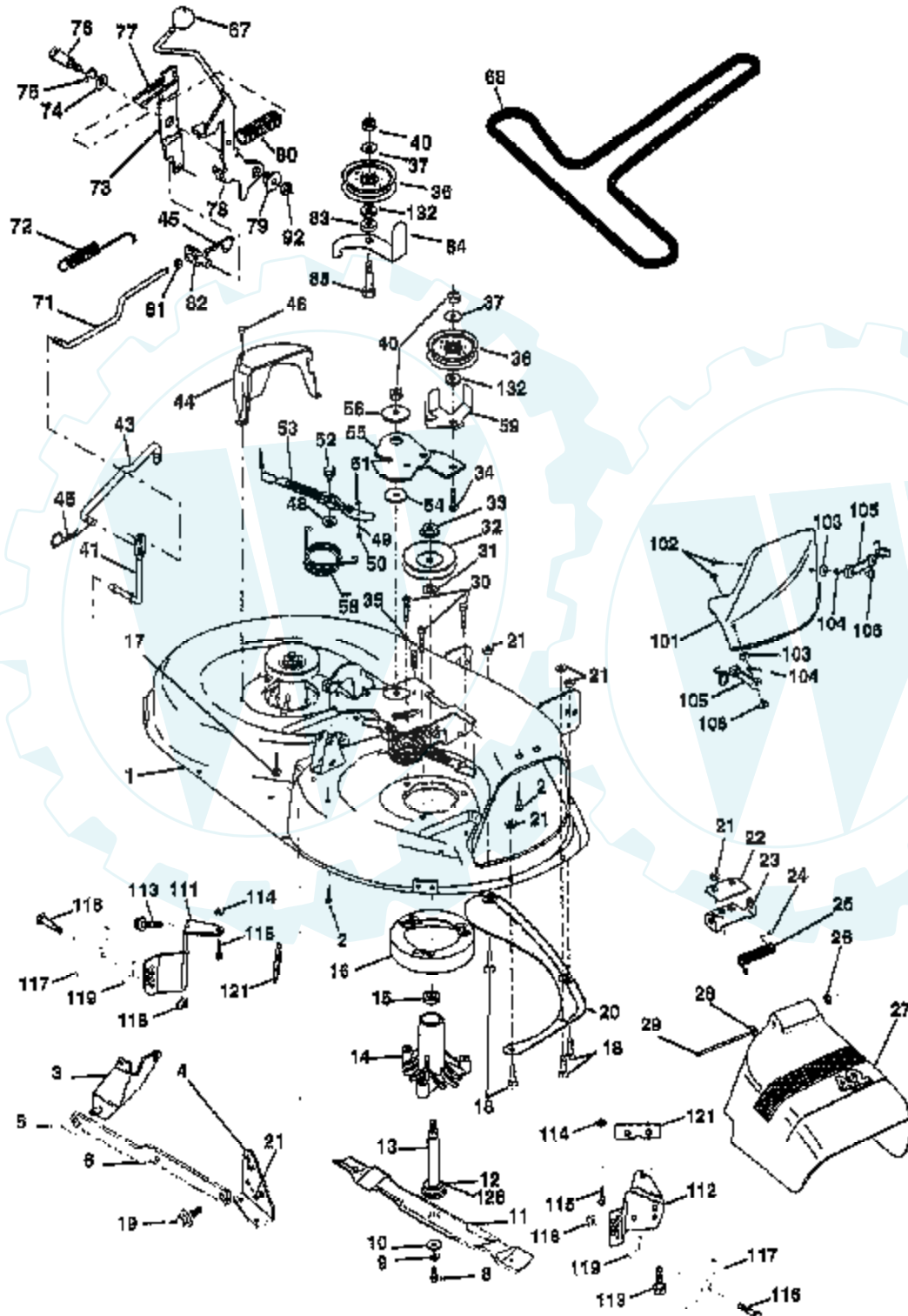




| Ref # | Part Number | Qty | Description         |
|-------|-------------|-----|---------------------|
| 1     | 159460      |     | WIRE ASM W.SPRING   |
| 2     | 159471      |     | "SHAFT ASM LIFT,RH" |
| 3     | 105767X     |     | PIN-GROOVE LT       |
| 4     | 12000002    |     | SUB= 2225J          |
| 5     | 19211621    |     | WASHER              |
| 6     | 120183X     |     | NYLON BEARING       |
| 7     | 125631X     |     | GRIP HANDLE         |
| 8     | 122365X     |     | SUB= 125925X        |
| 11    | 139865      |     | SUB= 918139865      |
| 12    | 139866      |     | SUB= 151140         |
| 13    | 4939M       |     | SUB= 85902          |
| 15    | 127218      |     | LINK.FRONT          |
| 16    | 73350800    |     | NUT                 |
| 17    | 130171      |     | TRUNION             |
| 18    | 73800800    |     | NUT.LK.W/WSH.1/2.   |
| 19    | 139868      |     | ARM SUSP REAR       |
| 20    | 3146R       |     | RETAINER.SPRING     |
| 23    | 110807X     |     | NUT T               |
| 24    | 19131016    |     | WASHER              |
| 25    | 2876H       |     | SPRING T            |
| 26    | 76020308    |     | SUB= 3145           |
| 27    | 126971X     |     | SUB= 532126971      |
| 28    | 73350600    |     | NUT                 |
| 29    | 138057      |     | KNOB INF 3/8-16     |
| 30    | 150233      |     | TRUNNION            |
| 31    | 140302      |     | BEARING PVT LH      |
| 32    | 73540600    |     | NUT.CROWNLOCK.3/8   |
| 36    | 155097      |     | POINTER-INDICAT     |
| 37    | 123935X     |     | "PLUG,HOLE"         |
| 38    | 17490512    |     | SCREW               |
| 40    | 19112410    |     | WASHER              |
| 41    | 123934X     |     | HEIGHT INDICATOR    |
| 49    | 145212      |     | NUT.HXFLG.LOCK.     |
| 50    |             |     | CHECK WITH SUPPLIER |

### TRACTOR - - MODEL NUMBER AYP9167D79

### MOWER DECK

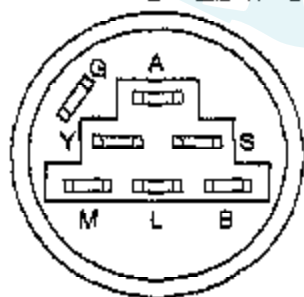
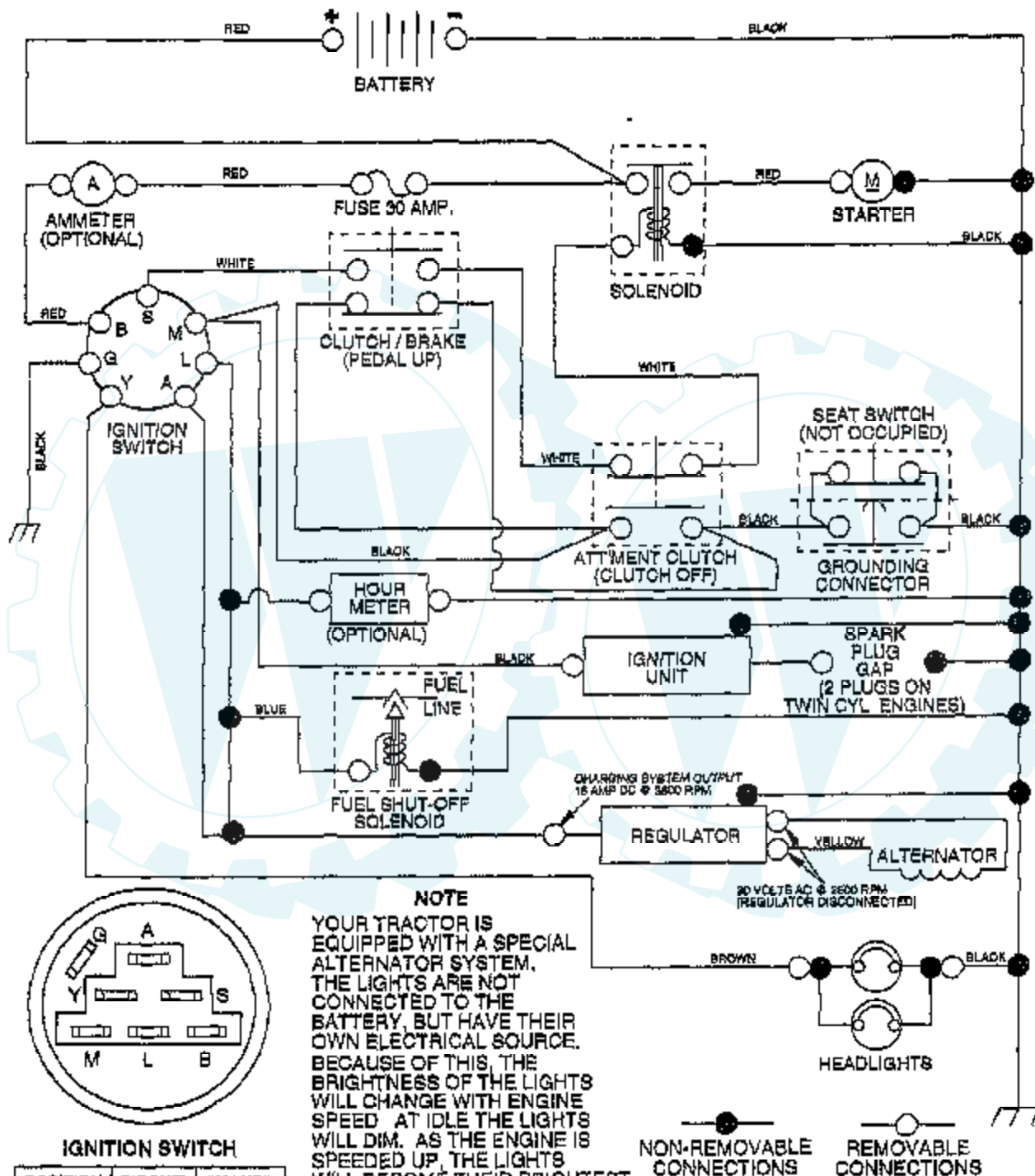


| Ref # | Part Number | Qty | Description          |
|-------|-------------|-----|----------------------|
| 1     | 144393      |     | DECK.WELD.42.        |
| 2     | 72140506    |     | BOLT                 |
| 3     | 138017      |     | BRKT ASM SWAY BAR    |
| 4     | 138440      |     | BRKT DECK SW BAR     |
| 5     | 4939M       |     | SUB= 85902           |
| 6     | 130832      |     | SUB= 130833          |
| 8     | 850857      |     | BLADE BOLT           |
| 9     | 10030600    |     | SUB= 10040600        |
| 10    | 140296      |     | WASHER.HARD.BLADE    |
| 11    | 134149      |     | "BLADE.42"" MULCHER" |
| 12    | 129895      |     | BEARING.BALL         |
| 13    | 137645      |     | SUB= 137646          |
| 14    | 128774      |     | HSG ASM MANDREL      |
| 15    | 110485X     |     | BEARING              |
| 16    | 140329      |     | STRIPPER RND MWR     |
| 17    | 72110610    |     | BOLT RDHD 3/8-16     |
| 18    | 72140505    |     | BOLT                 |
| 19    | 132827      |     | BOLT SHD 5/16-18     |
| 20    | 136888      |     | SUB= 918136888       |
| 21    | 73680500    |     | SUB= 73690500        |
| 22    | 134753      |     | STIFFENER BRKT       |
| 23    | 131267      |     | DEFLECTOR BRKT       |
| 24    | 105304X     |     | CAP-SLEEVE LT        |
| 25    | 123713X     |     | SPRING TORSION       |
| 26    |             |     | CHECK WITH SUPPLIER  |
| 27    | 130968      |     | DEFLECTOR.SHIELD     |
| 28    | 19111016    |     | WASHER               |
| 29    | 131491      |     | HINGE ROD            |
| 30    | 157722      |     | "SCREW-THD ROLL,WA"  |
| 31    | 129963      |     | WASHER               |
| 32    | 153535      |     | PULLEY.MANDREL.42    |
| 33    | 137266      |     | SUB= 139729          |
| 34    | 72110614    |     | BOLT                 |
| 35    | 133835      |     | XMAS TREE FASTNER    |
| 36    | 131494      |     | FLAT IDLER PULLEY    |
| 37    | 19131316    |     | WASHER               |
| 40    | 73680600    |     | SUB= 73690600        |
| 41    | 133551      |     | PIVOT ROD            |
| 43    | 140083      |     | ROD CLUTCH W/NIBS    |
| 44    | 140088      |     | GUARD MAND LH BLK    |
| 45    |             |     | CHECK WITH SUPPLIER  |
| 46    | 137729      |     | SCREW.1/4-20X5/8     |
| 48    | 133944      |     | HARD SMALL WASHER    |
| 49    | 155066      |     | ROLLER ASM-CAM       |
| 50    | 131340      |     | SHOULDER BOLT        |
| 51    | 69180       |     | LOCKNUT              |
| 52    | 139888      |     | BOLT.SHLD.5/16-18    |
| 53    | 131845X900  |     | SUB= 131845          |
| 54    | 133943      |     | HARDENED WASHER      |
| 55    | 155046      |     | ARM-IDLER            |
| 56    | 122052X     |     | SPACER RETAINER      |
| 58    | 140086      |     | SPRING TORSN BRAK    |
| 59    | 141043      |     | GUARD IDLER TUV      |
| 67    | 106932X     |     | KNOB T(3/8 HOLE)     |
| 68    | 144200      |     | BELT.V.T-PATH        |
| 71    | 142427      |     | ROD CLUTCH 38/42     |
| 72    | 131870      |     | RETURN SPRING        |
| 73    | 127847      |     | CLUTCH ARM SECOND    |

| Ref # | Part Number | Qty | Description         |
|-------|-------------|-----|---------------------|
| 74    | 121748X     |     | WASHER              |
| 75    | 12000029    |     | RING                |
| 76    | 128903      |     | SHOULDER BOLT       |
| 77    | 127845      |     | SPRING KEEPER       |
| 78    | 154809      |     | LEVER ASM-CLUTCH    |
| 79    | 127498      |     | BUSHING             |
| 80    | 153701      |     | SPRING.CLUTCH.MWR   |
| 81    | 142028      |     | TRUNION ADJ         |
| 82    | 73350600    |     | NUT                 |
| 83    | 120958X     |     | WASHER              |
| 84    | 156084      |     | "KEEPER-BELT,FIXED" |
| 85    | 72140618    |     | BOLT RDHD 3/8-16    |
| 92    | 73800600    |     | NUT                 |
| 101   | 136420      |     | "COVER.MULCH.42""   |
| 102   | 71161010    |     | SCREW               |
| 103   | 19061216    |     | WASHER #10          |
| 104   | 10071000    |     | LOCKWASHER          |
| 105   | 160793      |     | LATCH ASSY.BAGGER   |
| 106   | 2029J       |     | WELDNUT             |
| 111   | 155197      |     | BRACKET.GWHL.LH.    |
| 112   | 155198      |     | BRACKET.GWHL.RH.    |
| 113   | 17490512    |     | SCREW               |
| 114   | 73510500    |     | NUT                 |
| 115   | 72110504    |     | SUB= 872110504      |
| 116   | 137644      |     | BOLT.SHOULDER       |
| 117   | 133957      |     | WHEEL GAGE DONUT    |
| 118   | 73930600    |     | LOCKNUT             |
| 119   | 19121414    |     | WASHER              |
| 121   | 143723      |     | BRACKET.EXTRD.GWL   |
| 128   | 153390      |     | WASHER.FELT.        |
| 132   | 19132203    |     | WASHER GT           |
|       | 130794      |     | MANDREL ASM         |
|       | 145411      |     | SUB= 164963         |

**TRACTOR -- MODEL NUMBER AYP9167D79**

**SCHEMATIC**



**IGNITION SWITCH**

| POSITION  | CIRCUIT   | "MAKE" |
|-----------|-----------|--------|
| OFF       | G + M + L | NONE   |
| RUN/LIGHT | B + L     | A + Y  |
| RUN       | B + L     | NONE   |
| START     | B + L + S | NONE   |

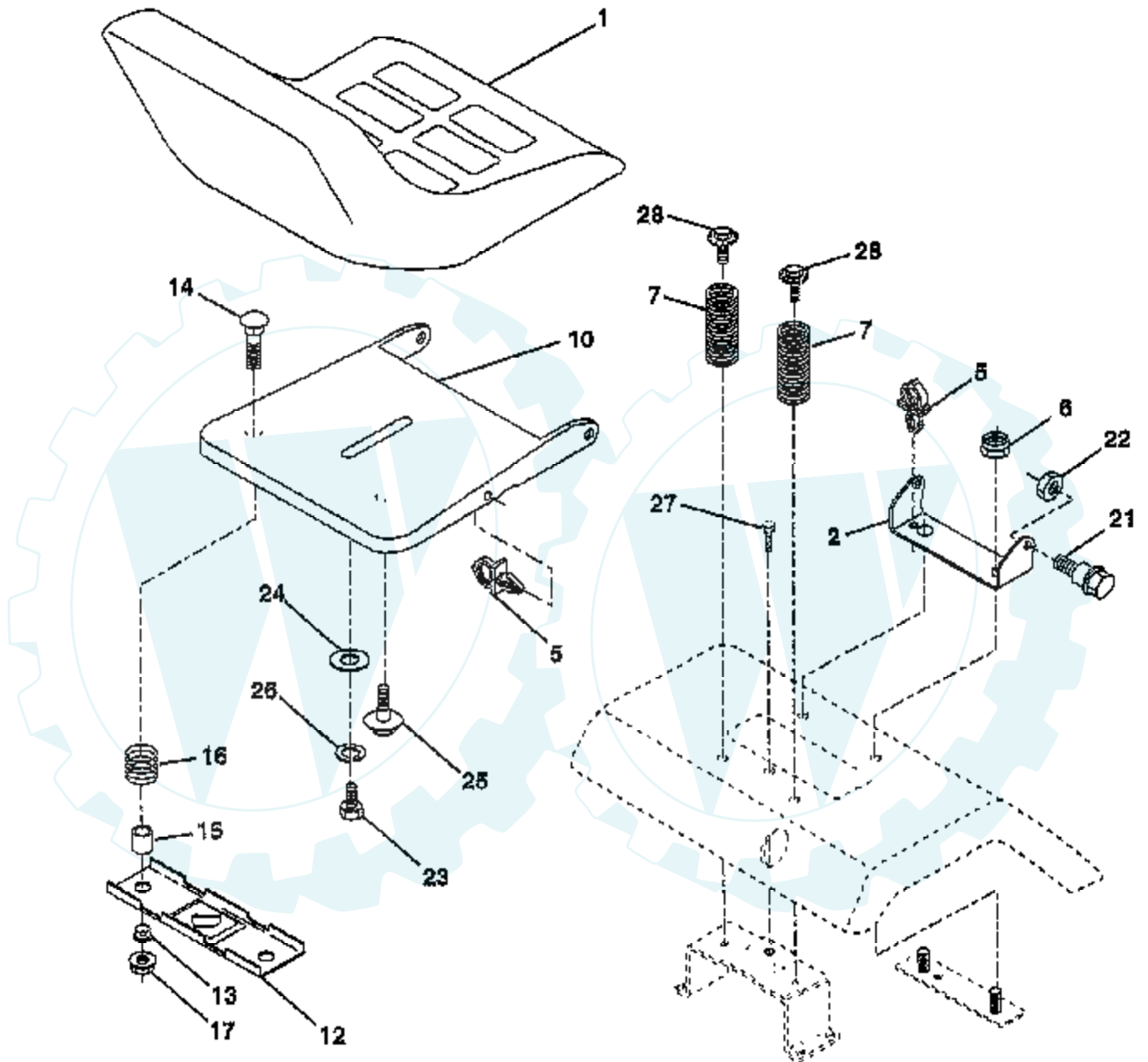
**NOTE**  
YOUR TRACTOR IS EQUIPPED WITH A SPECIAL ALTERNATOR SYSTEM. THE LIGHTS ARE NOT CONNECTED TO THE BATTERY, BUT HAVE THEIR OWN ELECTRICAL SOURCE. BECAUSE OF THIS, THE BRIGHTNESS OF THE LIGHTS WILL CHANGE WITH ENGINE SPEED. AT IDLE THE LIGHTS WILL DIM. AS THE ENGINE IS SPEEDED UP, THE LIGHTS WILL BECOME THEIR BRIGHTEST.

**WIRING INSULATED CLIPS**  
**NOTE:** IF WIRING INSULATED CLIPS WERE REMOVED FOR SERVICING OF UNIT, THEY SHOULD BE REPLACED TO PROPERLY SECURE YOUR WIRING.

NON-REMOVABLE CONNECTIONS      REMOVABLE CONNECTIONS

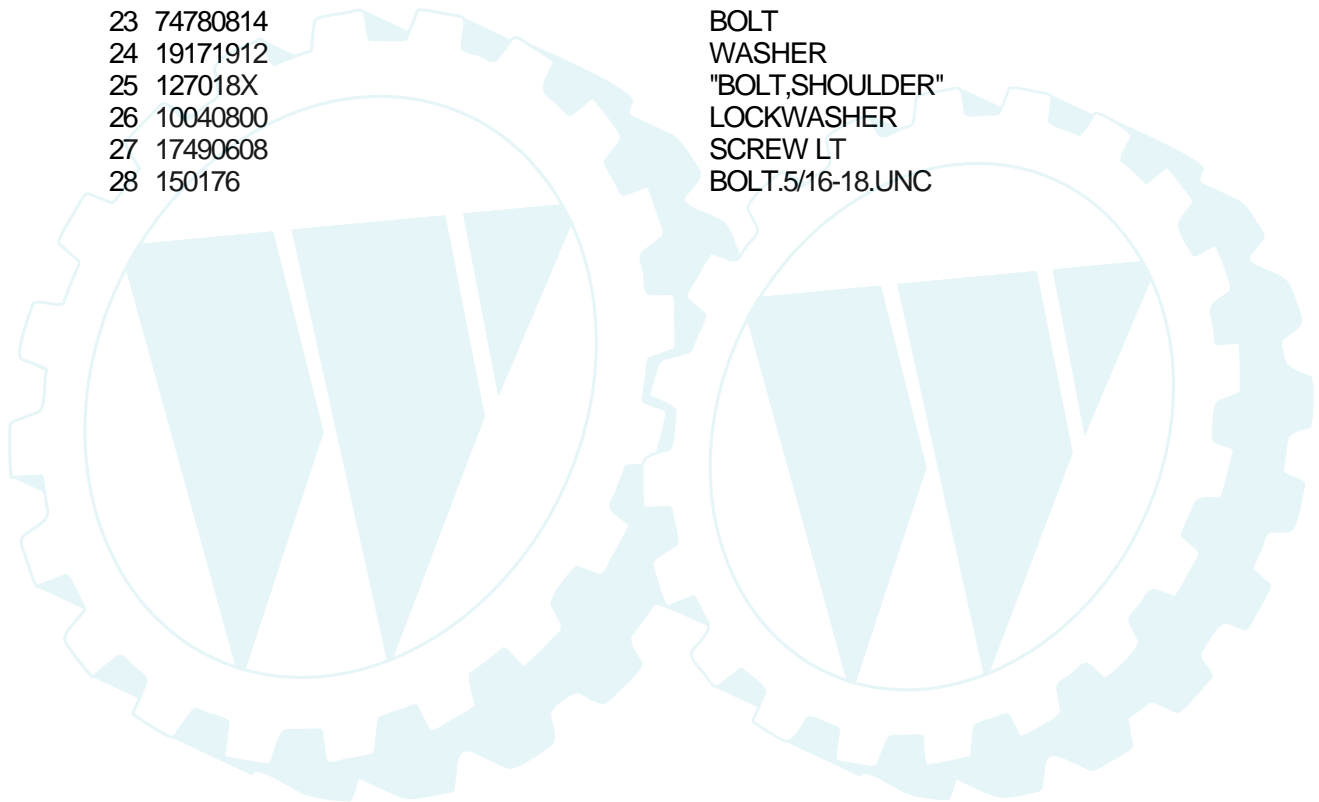
## TRACTOR - - MODEL NUMBER AYP9167D79

### SEAT ASSEMBLY



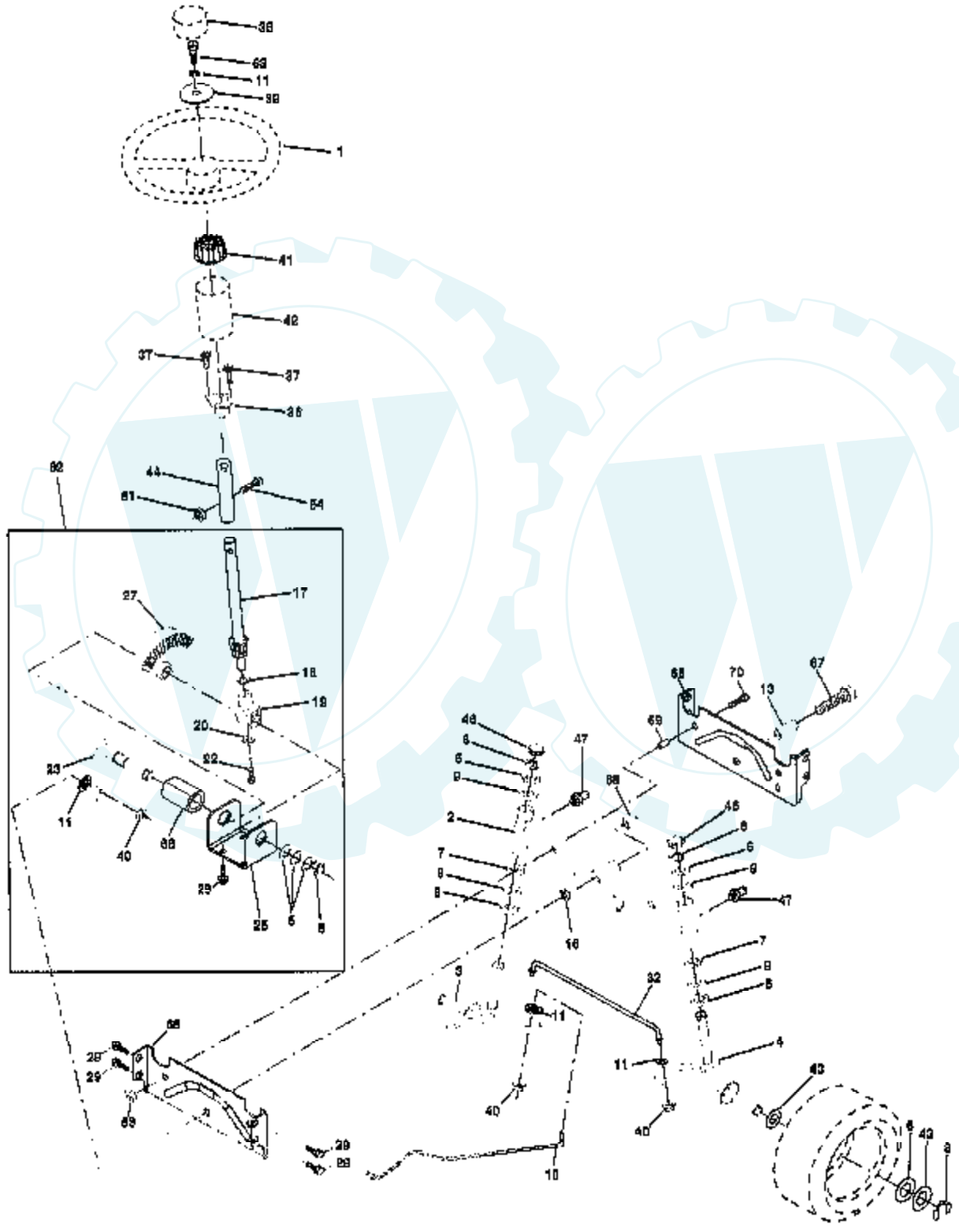
**NOTE:** All component dimensions given in U.S. inches  
1 inch = 25.4 mm

| Ref # | Part Number | Qty | Description       |
|-------|-------------|-----|-------------------|
| 1     | 140117      |     | SEAT.2400/1416.BK |
| 2     | 140551      |     | BRACKET PVT SEAT  |
| 5     | 145006      |     | CLIP.PUSH-IN.HING |
| 6     | 73680600    |     | SUB= 73690600     |
| 7     | 124181X     |     | SPRING COMPRESSIO |
| 10    | 155925      |     | PAN-SEAT          |
| 12    | 121246X     |     | BRKT SWITCH       |
| 13    | 121248X     |     | BUSHING           |
| 14    | 72050411    |     | SUB= 872050411    |
| 15    | 134300      |     | SPLIT SPACER      |
| 16    | 121250X     |     | SPRING            |
| 17    | 123976X     |     | SUB= 73900400     |
| 21    | 153236      |     | "BOLT,SHOULDER"   |
| 22    | 73800500    |     | NUT               |
| 23    | 74780814    |     | BOLT              |
| 24    | 19171912    |     | WASHER            |
| 25    | 127018X     |     | "BOLT,SHOULDER"   |
| 26    | 10040800    |     | LOCKWASHER        |
| 27    | 17490608    |     | SCREW LT          |
| 28    | 150176      |     | BOLT.5/16-18.UNC  |



### TRACTOR - - MODEL NUMBER AYP9167D79

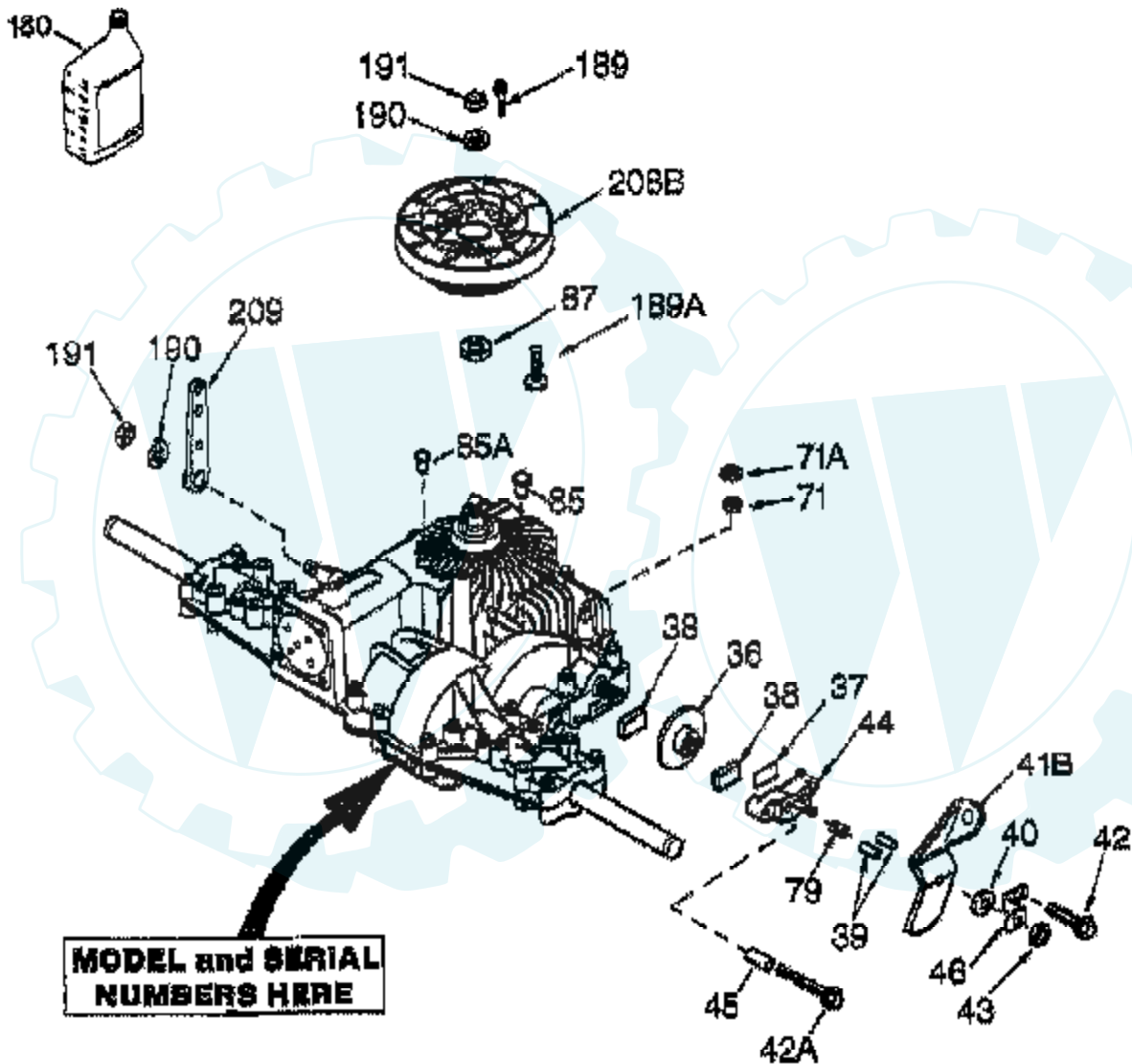
### STEERING ASSEMBLY



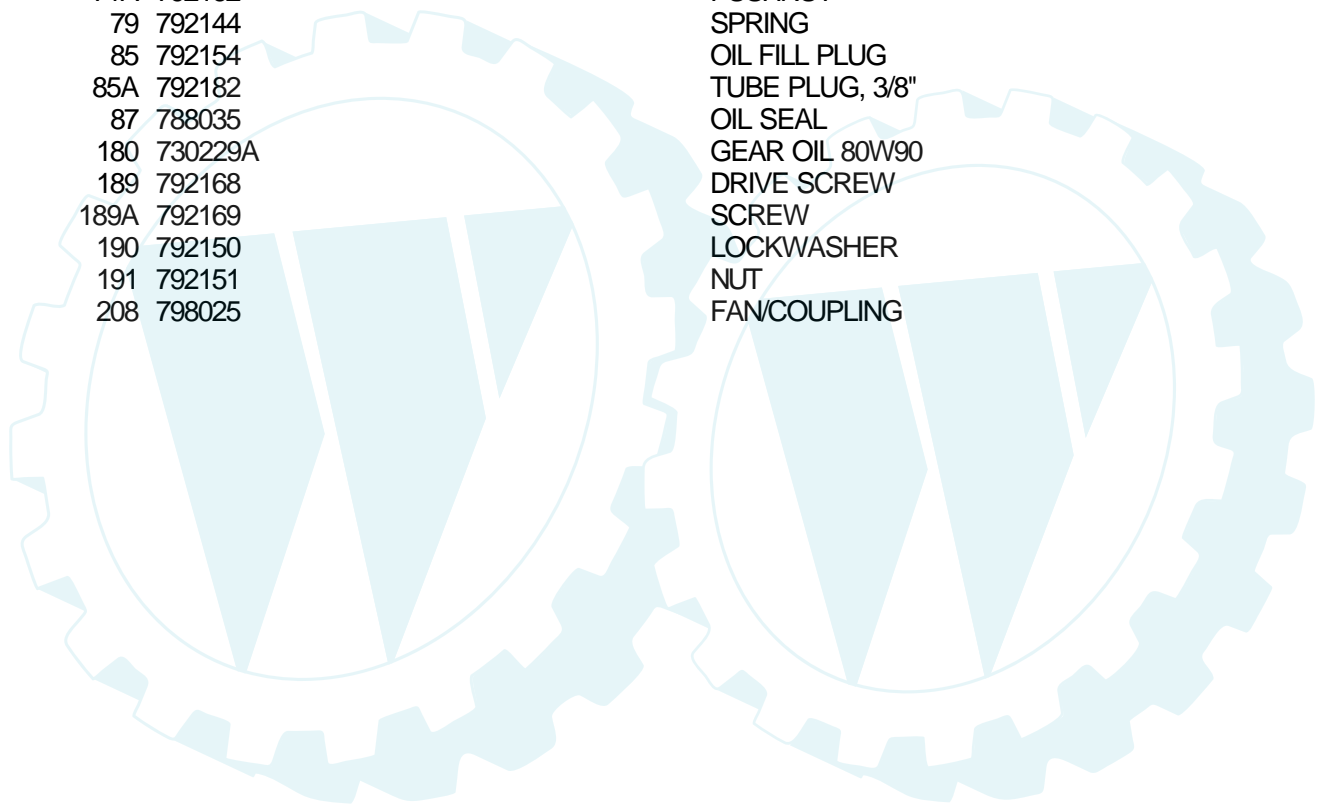


| Ref # | Part Number | Qty | Description         |
|-------|-------------|-----|---------------------|
| 1     | 140044      |     | WHEEL STR AYP BLK   |
| 2     | 137094      |     | SUB= 532137094      |
| 3     | 157479      |     | "SPINDLE ASM,LH"    |
| 4     | 157478      |     | "SPINDLE ASM,RH"    |
| 5     | 6266H       |     | WASHER .T           |
| 6     | 121748X     |     | WASHER              |
| 7     | 19272016    |     | WASHER              |
| 8     | 12000029    |     | RING                |
| 9     | 3366R       |     | COL. SRTG. BEAR.    |
| 10    | 154432      |     | LINK.DRAG           |
| 11    | 10040600    |     | LOCKWASHER          |
| 13    | 154779      |     | BEARING AXLE        |
| 15    | 73901000    |     | "NUT-LOC,FLANGE LT" |
| 17    | 156546      |     | SHAFT ASM STEERIN   |
| 18    | 57079       |     | THRUST WASHER       |
| 19    | 124035X     |     | SUPPORT.SHAFT       |
| 20    | 126684X     |     | SUB= 532126684      |
| 22    | 71200410    |     | SCREW HEX SOC1/4-   |
| 23    | 127501      |     | SUB= 918127501      |
| 25    | 154406      |     | BRKT-STEERING       |
| 27    | 136874      |     | GEAR SECTOR         |
| 29    | 17490612    |     | SCREW               |
| 32    | 137347      |     | ROD.ASM.TIE.BALL    |
| 36    | 155099      |     | BUSHING.STEERING    |
| 37    | 152927      |     | "SCREW-TT,10-32 FL" |
| 38    | 140045      |     | CAP STEER AYP       |
| 39    | 19133808    |     | WASHER T            |
| 40    | 7810H       |     | GRIPCO NUT          |
| 41    | 100711L     |     | ADAPTER LT          |
| 42    | 145054      |     | BOOT.STEER.PL       |
| 43    | 121749X     |     | WASHER              |
| 44    | 153720      |     | EXT SHAFT STEERIN   |
| 46    | 121232X     |     | CAP                 |
| 47    | 6855M       |     | ZERK M              |
| 51    | 73800500    |     | NUT                 |
| 53    | 73680600    |     | SUB= 73690600       |
| 54    | 74780520    |     | BOLT                |
| 62    | 156594      |     | KIT STEERING ASM    |
| 63    | 74780616    |     | BOLT                |
| 65    | 154780      |     | SPACER AXLE         |
| 66    | 154404      |     | "BEARING-ARM,PITMA" |
| 67    | 74781044    |     | BOLT                |
| 68    | 154429      |     | BRACE AXLE          |
| 69    | 160367      |     | "SPACER BRCAE,AXLE" |
| 70    | 74780636    |     | BOLT.HEX.3/8-16X2   |

**TRACTOR -- MODEL NUMBER AYP9167D79**  
**TRANSAXLE PEERLESS - MODEL NUMBER 205-034B**

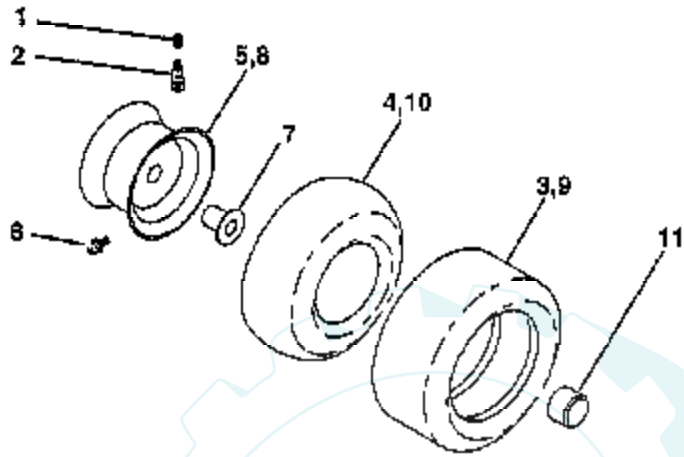


| Ref # | Part Number | Qty | Description           |
|-------|-------------|-----|-----------------------|
| 36    | 790075      |     | BRAKE DISC            |
| 37    | 790007      |     | PLATE BRAKE PAD       |
| 38    | 799021      |     | BRAKE PAD             |
| 39    | 786026      |     | PIN DOWEL             |
| 40    | 792076A     |     | WASHER                |
| 41B   | 790085      |     | BRAKE LEVER           |
| 42    | 792073A     |     | SCREW                 |
| 42A   | 792085A     |     | SCREW, 1/4-20 X 2-1/4 |
| 43    | 792075      |     | LOCKNUT 5/16-24       |
| 44    | 790025      |     | HOLDER BRAKE PAD      |
| 45    | 786066      |     | SPACER                |
| 46    | 790086      |     | BRAKE LEVER BRACKET   |
| 71    | 788069      |     | SEAL SQUARE CUT       |
| 71A   | 792162      |     | PUSHNUT               |
| 79    | 792144      |     | SPRING                |
| 85    | 792154      |     | OIL FILL PLUG         |
| 85A   | 792182      |     | TUBE PLUG, 3/8"       |
| 87    | 788035      |     | OIL SEAL              |
| 180   | 730229A     |     | GEAR OIL 80W90        |
| 189   | 792168      |     | DRIVE SCREW           |
| 189A  | 792169      |     | SCREW                 |
| 190   | 792150      |     | LOCKWASHER            |
| 191   | 792151      |     | NUT                   |
| 208   | 798025      |     | FAN/COUPLING          |



## TRACTOR - - MODEL NUMBER AYP9167D79

### WHEELS AND TIRES



**NOTE:** All component dimensions given in U.S. inches  
1 inch = 25.4 mm

| Ref # | Part Number | Qty | Description              |
|-------|-------------|-----|--------------------------|
| 1     | 59192       |     | VALVE CAP                |
| 2     | 65139       |     | VALVE STEM LT            |
| 3     | 106222X     |     | SUB= 122073X             |
| 4     | 59904       |     | TUBE.5.3/4.5/6           |
| 5     | 106732X427  |     | "RIM ASM 6"" FRT"        |
| 6     | 278H        |     | FITTING LT               |
| 7     | 9040H       |     | "FLANGE, BEARING"        |
| 8     | 106108X427  |     | "RIM AS 8"" REAR"        |
| 9     | 122082X     |     | SUB= 918122082X          |
| 10    | 7152J       |     | TUBE.18X9.5-8            |
| 11    | 104757X     |     | HUB CAP                  |
|       | 144334      |     | SEALANT.TIRE 10 OZ. TUBE |

