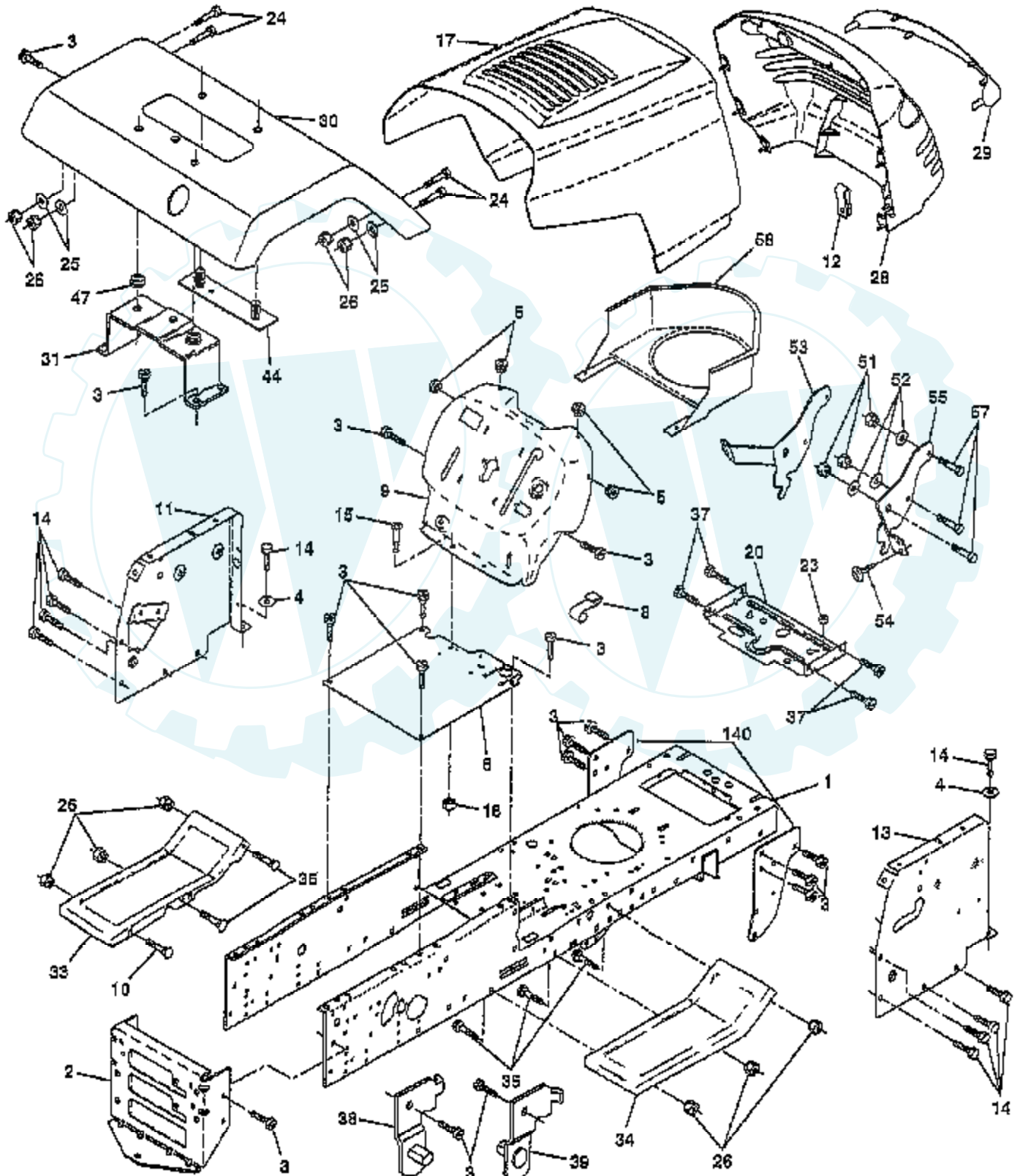


# TRACTOR -- MODEL NUMBER AYP9167A79

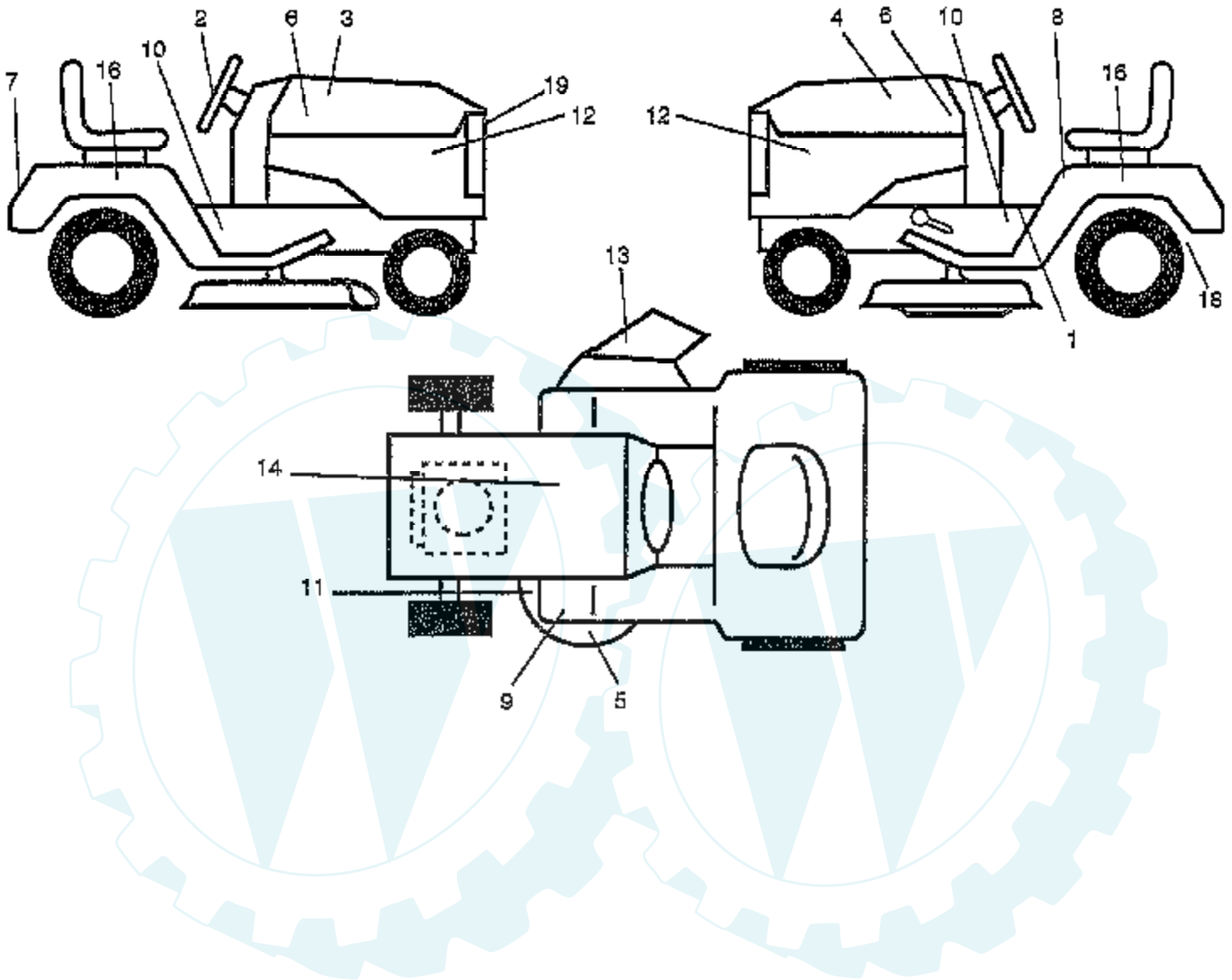
## CHASSIS AND ENCLOSURES



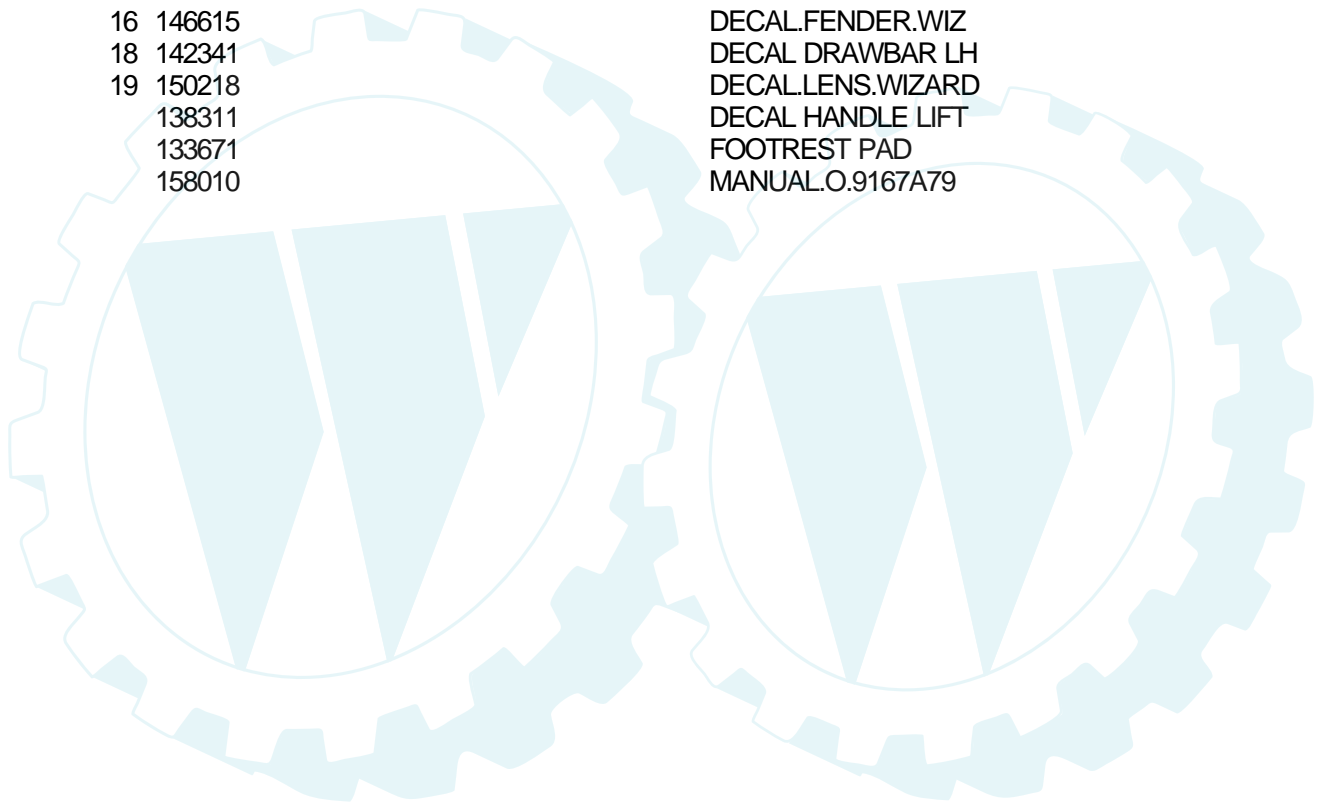
Ref #	Part Number	Qty	Description
1	155051		CHASSIS ASM
2	140356		SUB= 145009
3	17490612		SCREW
4	19131216		WASHER
5	155272		BUMPER-HOOD/DASH
6	155923		SADDLE
8	126471X		"CLIP,INSULATOR"
9	147633X011		DASH SILKSCREEN
10	72140608		SUB= 72110608
11	155927		"PANEL-DASH,LH"
12	145660		CLIP.TINNERMAN
13	155936		"PANEL-DASH,RH"
14	17490608		SCREW LT
15	74180512		SCREW
16	73510500		NUT
17	139394X418		HOOD.STL.PRIV.LB
20	156737		PLATE MEG BATTERY/FUEL TANK
23	124028X		SUB= 532124028
24	74780616		BOLT
25	19131312		WASHER
26	73800600		NUT
28	157428		GRILL
29	146654		LENS.EURO.W/DECAL
30	140002X418		FENDER.YT/GT
31	137113		BRKT.ASM.FENDER
33	145244X418		FOOTREST.LT.LT/GT
34	145243X418		FOOTREST.RH.LT/GT
35	72110606		BOLT
37	17490508		SCREW LT
38	139886		BRACKET ASM LH
39	139887		BRACKET ASM RH
44	140675		STRAP ASM FENDER
47	105531X		NUT-PUSH YT
51	73800400		NUT
52	19091416		WASHER
53	144697		BRACKET.GRILLE.LH
54	17030814		SUB= 91817030814
55	144696		BRACKET.GRILLE.RH
57	74780412		SUB= 74780414
58	150127		AIR DUCT
140	158418		BRKT SUSPENSION

### TRACTOR -- MODEL NUMBER AYP9167A79

#### DECALS

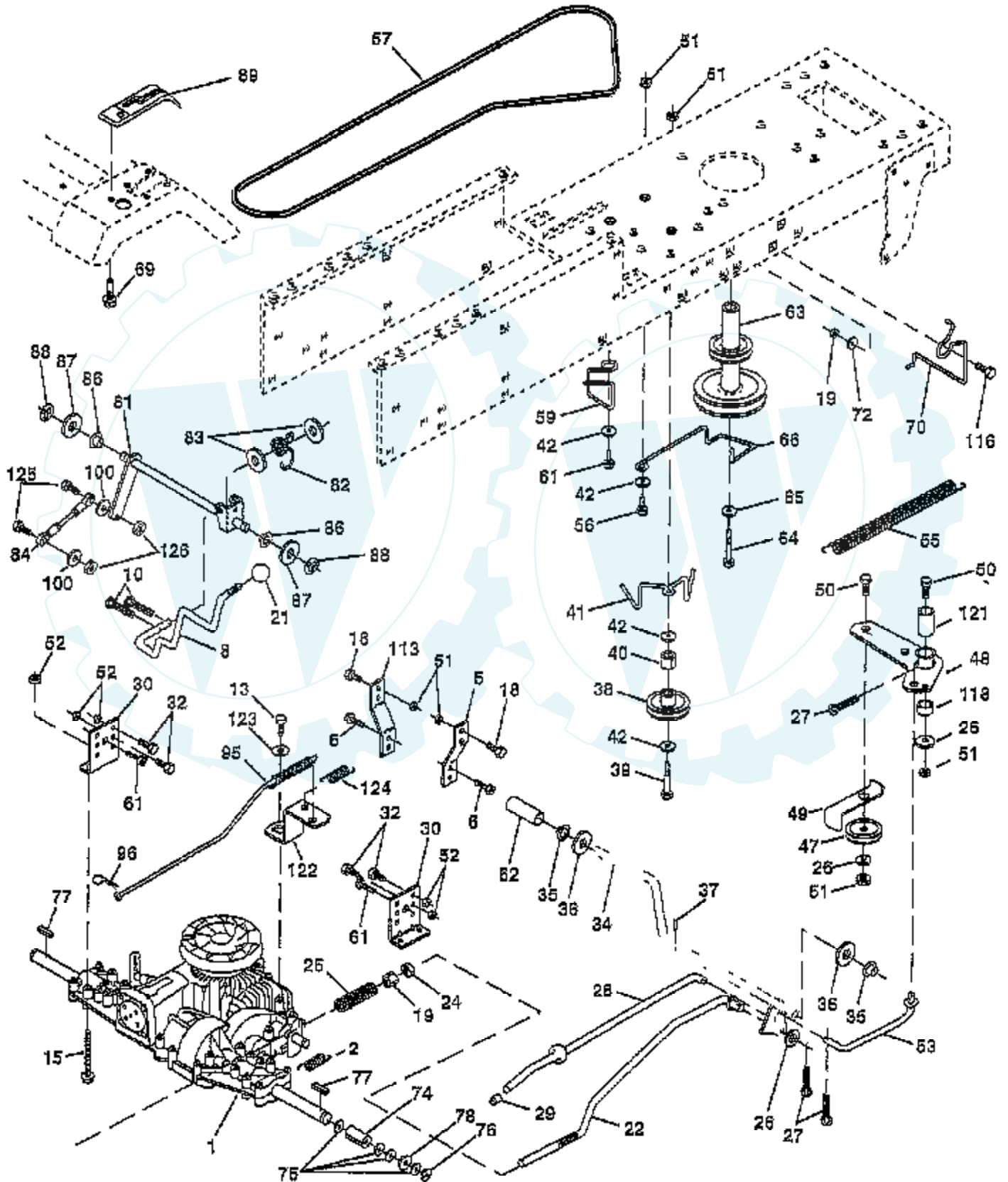


Ref #	Part Number	Qty	Description
1	156868		"DECAL INST,SADDLE"
2	143470		DECAL STEER WHL
3	141579		DECAL HOOD RH
4	141580		DECAL HOOD LH
5	141517		DECAL DECK WIZ +
6	143388		NAMEPLATE.HD.WIZA
7	127520		NLA
8	157002		"DECAL DANGER,FEND"
9	4900J		DECAL T
10	143349		"DECAL.CHASSIS.42""
11	136832		DECAL
12	158506		"DECAL PANEL,SIDE"
13	141583		DECAL DECK MULCH
14	145005		DECAL.BATRY.3-3908
16	146615		DECAL.FENDER.WIZ
18	142341		DECAL DRAWBAR LH
19	150218		DECAL.LENS.WIZARD
	138311		DECAL HANDLE LIFT
	133671		FOOTREST PAD
	158010		MANUAL.O.9167A79



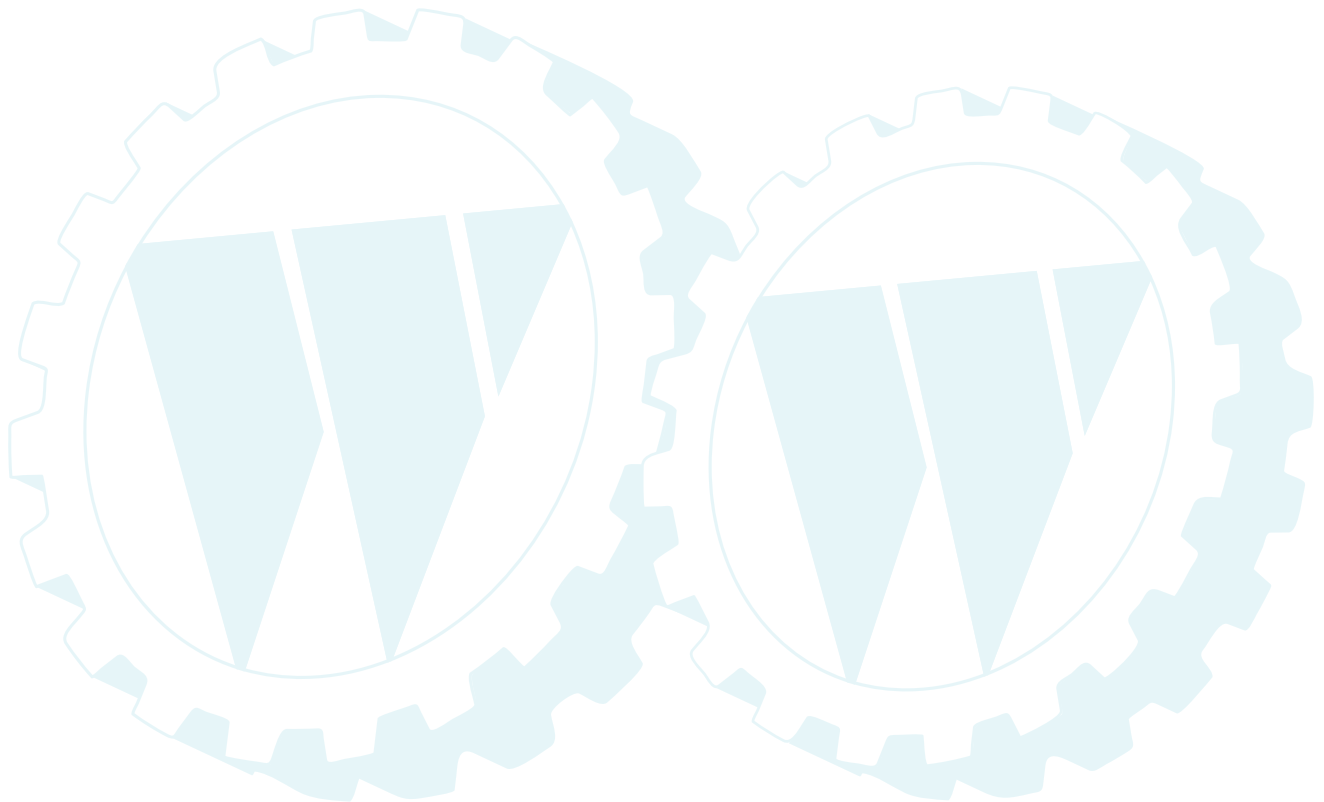
# TRACTOR -- MODEL NUMBER AYP9167A79

## DRIVE



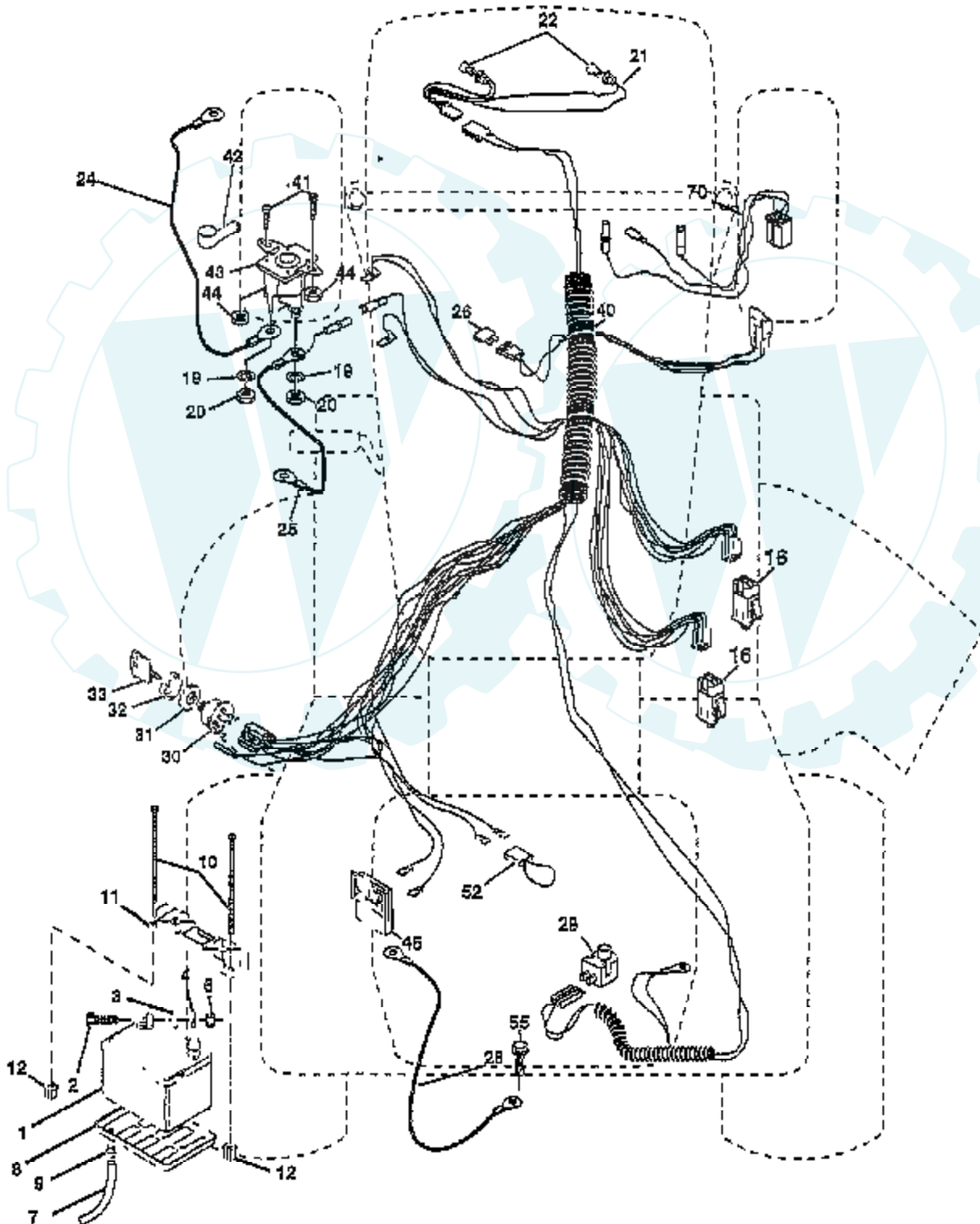
Ref #	Part Number	Qty	Description
1			REFER TO IMAGE
2	146682		SPRING.BRAKE.RETU
6	17490512		SCREW
8	141002		ROD SHIFT FEND YT
10	76020416		PIN COTTER 1/8
13	74550412		BOLT.1/4-28.W/PAT
15	74490544		BOLT.HX.FLG.5/16
18	74780616		BOLT
19	73800600		NUT
21	106933X		KNOB T (1/2-HOLE)
22	130804		BRAKE ROD
24	73350600		NUT
25	106888X		SPRING ROD LT
26	19131316		WASHER
27	76020412		COTTER PIN
28	145204		ROD.BRAKE.PARK.LT
29	124236X		CAP
30	130807		TRANSAXLE MTG BKT
32	74760512		BOLT
34	155071		SHAFT ASM-PEDAL F
35	120183X		NYLON BEARING
36	19211616		WASHER LT
37	1572H		SUB= 2882J
38	123674X		PULLEY.IDLER.FLAT
39	74760644		BOLT
40	4470J		SPACER T
41	154777		SUB= 165692
42	19131312		WASHER
47	127783		SUB= 139245
48	154604		BELLCRANK ASM
49	123205X		RETAIN BELT
50	74760624		SUB= 74930624
51	73680600		SUB= 73690600
52	73680500		SUB= 73690500
53	105710X		"LINK, CLUTCH T"
55	105709X		"SPRING, RETURN LT"
56	74760620		SUB= 74780620
57	156971		"V-BELT,GRD DRIVE"
59	140312		KEEPER BELT CNTSP
61	17490612		SCREW
62	8883R		PEDAL COVER T
63	140186		PULLEY.ENGINE
64	71170764		BOLT
65	10040700		LOCKWASHER
66	154778		KEEPER-BELT
69	142432		SCREW HEXWSH H-L
70	134683		KEEPER BELT ENG
72	19132012		WASHER
75	121749X		WASHER
76	12000001		E-RING LT
77	123583X		SQUARE KEY
78	121748X		WASHER
81	156969		SHAFT ASM CROSS
82	123782X		"SPRING,TORSION"
83	19171216		WASHER
84	156962		"ROD TIE, PVST 20""
86	71208		BUSHING
87	19212016		WASHER D

Ref #	Part Number	Qty	Description
88	12000008		KLIP RING
89	151146		SUB= 164892
95	156970		ROAD ASM BYPASS
96	4497H		RETAINER M
100	19111216		WASHER M
113	127285X		"STRAP,TORQUE"
116	72110610		BOLT RDHD 3/8-16
118	154774		SPACER-BELLCRANK
121	154419		NYLINER-CLUTCHING
122	156963		"PLATE-BYPASS,PVST"
123	19091016		WASHER
124	156967		SPRING RETURN
125	74780516		SUB= 77394
126	1685H		SUB= 68478



# TRACTOR - - MODEL NUMBER AYP9167A79

## ELECTRICAL

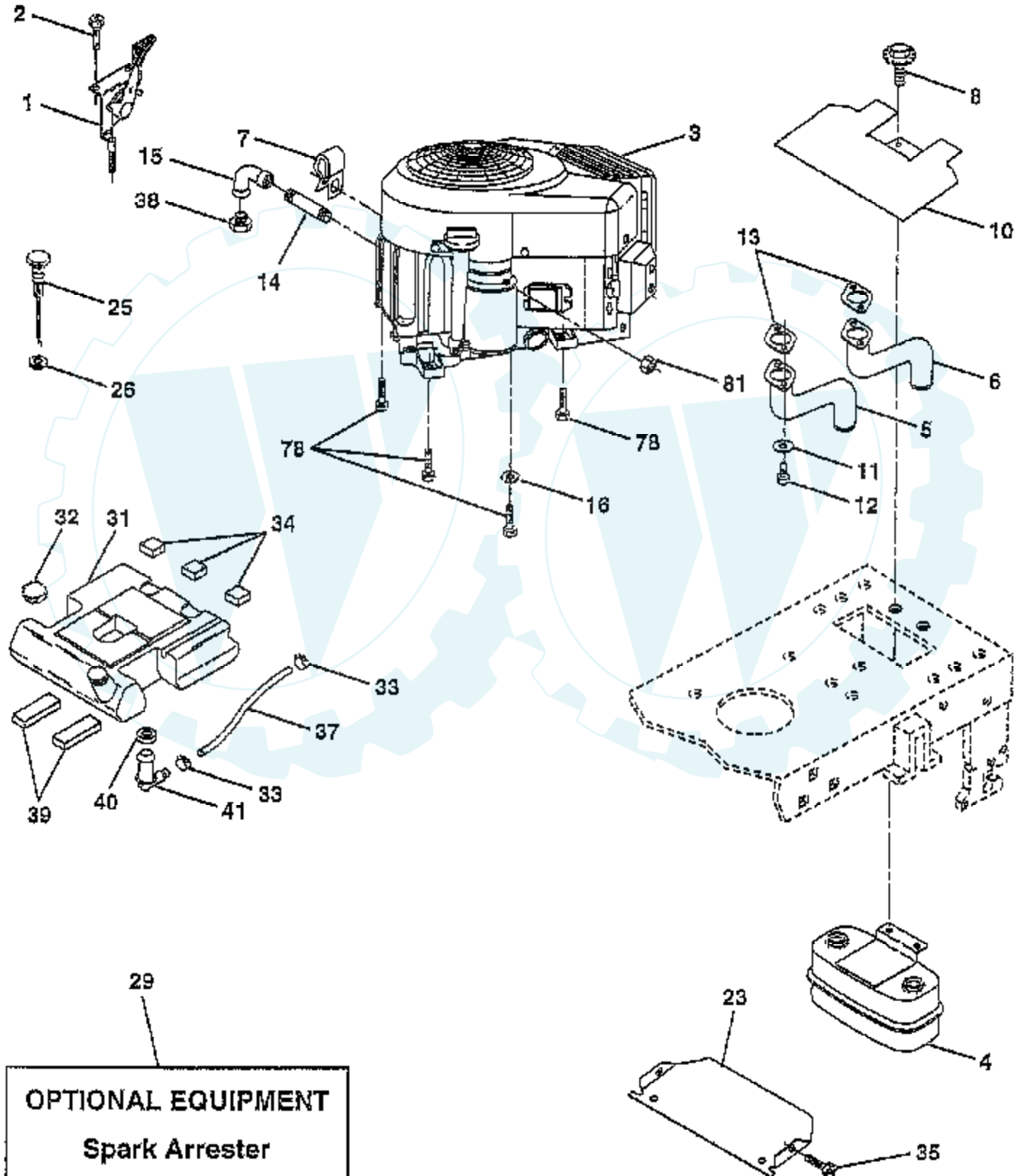




Ref #	Part Number	Qty	Description
1	144926		SUB= 123899X
2	74760412		BOLT LT
3	19091016		WASHER
4	10040400		LOCKWASHER
6	73220400		SUB= 50675
7	7697J		"DRAIN TU T, BATT"
8	7603J		"TRAY T, BATTERY"
9	109596X		HOSE CLAMP T
10	145211		SUB= 150177
11	150109		HOLDDOWN BATTERY
12	145769		SUB= 150177
16	153664		SWITCH INTERLOCK
19	10090400		SUB= 10040400
20	73350400		NUT
21	136850		"HARNES, LIGHT SOC"
22	4152J		HEADLAMP BULB
24	4799J		"CABLE T, BATTERY"
25	146148		CABLE.6GA.22W/16W
26	108824X		FUSE HYT
28	145491		CABLE.GRND.6GA.21
29	121305X		SWITCH SEAT
30	140301		SWITCH IGN 4POS
31	124211X		NUT IGNITION
32	141226		COVER KEY SWITCH
33	122147X		KEY
40	156442		HARNES-IGNITION
41	71110408		BOLT HXHD FIN
42	131563		SUB= 154336
43	145673		SUB= 146154
44	73640400		NUT HXKEP 1/4X20
45	122822X		AMMETER
52	141940		PROTECTION LOOP
55	17490508		SCREW LT
70	140424		HARNES ENGINE

### TRACTOR - - MODEL NUMBER AYP9167A79

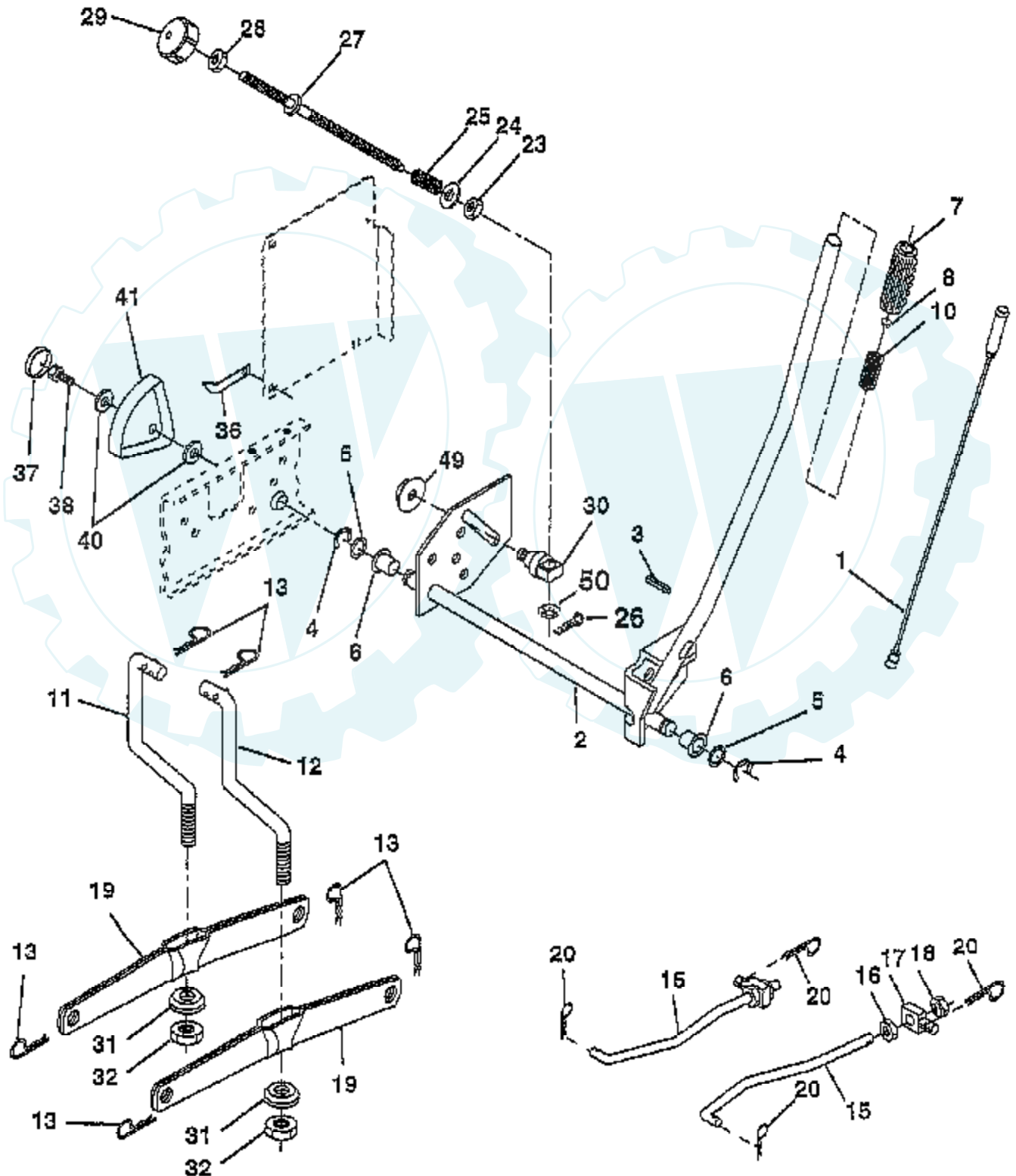
#### ENGINE



Ref #	Part Number	Qty	Description
1	148875		CONTROL THROT. LH
2	17720410		SCREW LT
3	303777-1032-A1		ENGINE
4	149723		MUFFLER.TW.LOTONE
5	122434X		TUBE ASSY EXH LH
6	122435X		TUBE ASSY EXH RH
7	138129		CLAMP.TUBE.DBL.EN
8	150176		BOLT.5/16-18.UNC
10	145552		SHIELD.HEAT.
11			REFER TO IMAGE
12			REFER TO IMAGE
13			REFER TO IMAGE
14	13280336		PIPE NIPPLE LT
15	13200300		ELBOW
16	11050600		LOCKWASHER
23	156123		SHIELD-HEAT
25	145996		CONTROL.CHOKE.37
26	73920600		"NUT,KEPS 3/8-24IM"
29	137180		SUB= 532137180
31	151346		TANK FUEL REAR
32	140527		CAP ASM FUEL
33	123487X		HOSE CLAMP
34	106082X		PAD-SPACER LT
35	17490512		SCREW
37	8543R		FUEL LINE T
38			REFER TO IMAGE
39	109227X		PAD IDLER TI
40	3645J		BUSHING OUTLET T
41	139277		STEM.TANK.FUEL
78	17490620		SCREW
81	128861		NUT

# TRACTOR -- MODEL NUMBER AYP9167A79

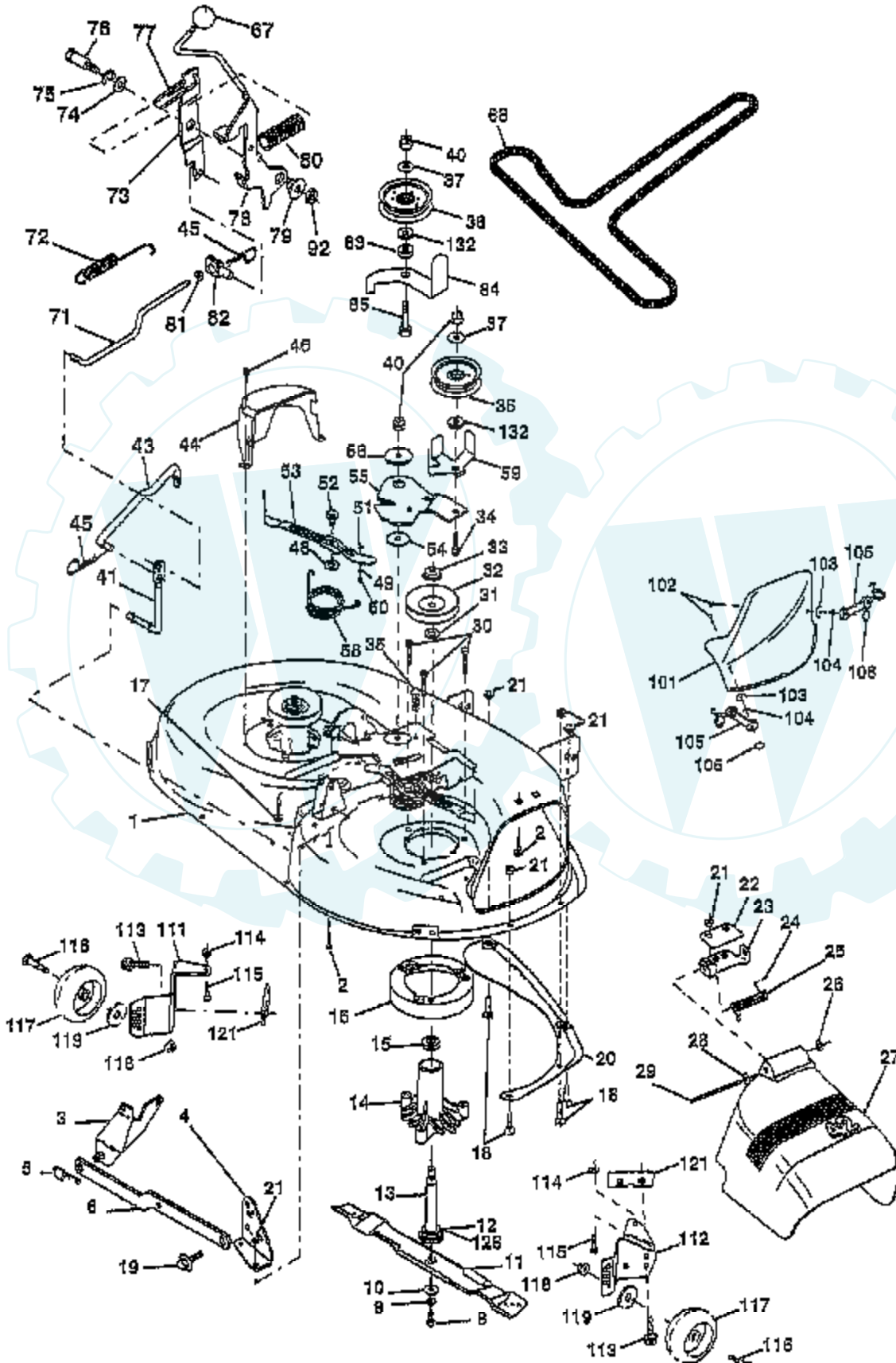
## LIFT



Ref #	Part Number	Qty	Description
1	136973		WIRE ASM
2	145117		SHAFT.LIFT.ASM.RH
3	105767X		PIN-GROOVE LT
4	12000002		SUB= 2225J
5	19211621		WASHER
6	120183X		NYLON BEARING
7	125631X		GRIP HANDLE
8	122365X		SUB= 125925X
10	122512X		SUB= 532122512
11	139865		SUB= 918139865
12	139866		SUB= 151140
13	4939M		SUB= 85902
15	127218		LINK.FRONT
16	73350800		NUT
17	130171		TRUNION
18	73800800		NUT.LK.W/WSH.1/2.
19	139868		ARM SUSP REAR
20	3146R		RETAINER.SPRING
23	110807X		NUT T
24	19131016		WASHER
25	2876H		SPRING T
26	76020308		SUB= 3145
27	126971X		SUB= 532126971
28	73350600		NUT
29	138057		KNOB INF 3/8-16
30	150233		TRUNNION
31	140302		BEARING PVT LH
32	73540600		NUT.CROWNLOCK.3/8
37	123935X		"PLUG,HOLE"
38	17490512		SCREW
40	19112410		WASHER
41	123934X		HEIGHT INDICATOR
49	145212		NUT.HXFLG.LOCK.
50	110452X		NUT PUSH M

# TRACTOR - - MODEL NUMBER AYP9167A79

## MOWER DECK



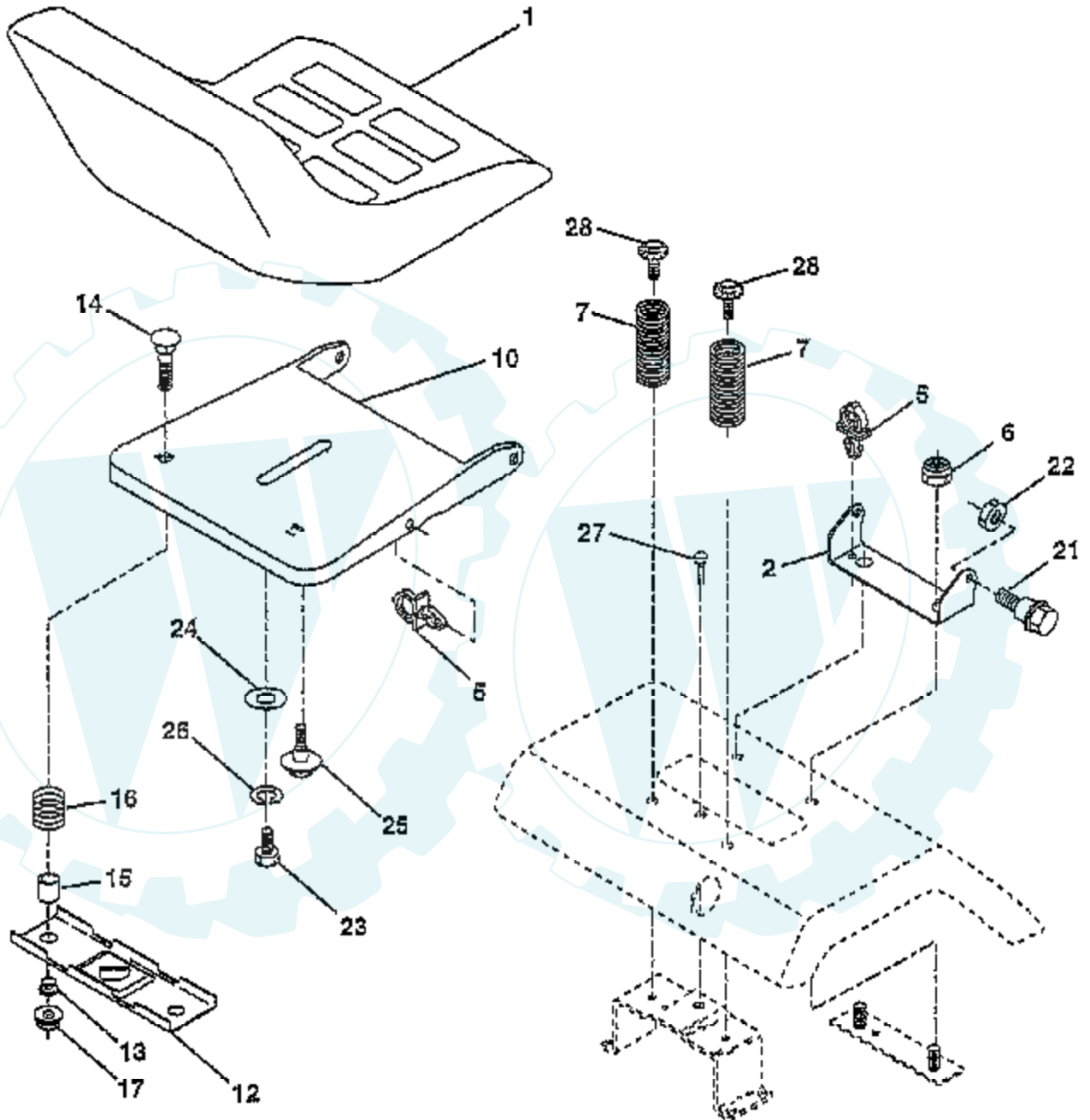
Ref #	Part Number	Qty	Description
1	144393		DECK.WELD.42.
2	72140506		BOLT
3	138017		BRKT ASM SWAY BAR
4	138440		BRKT DECK SW BAR
5	4939M		SUB= 85902
6	130832		SUB= 130833
8	850857		BLADE BOLT
9	10030600		SUB= 10040600
10	140296		WASHER.HARD.BLADE
11	134149		"BLADE.42"" MULCHER"
12	129895		BEARING.BALL
13	137645		SUB= 137646
14	128774		HSG ASM MANDREL
15	110485X		BEARING
16	140329		STRIPPER RND MWR
17	72110610		BOLT RDHD 3/8-16
18	72140505		BOLT
19	132827		BOLT SHD 5/16-18
20	136888		SUB= 918136888
21	73680500		SUB= 73690500
22	134753		STIFFENER BRKT
23	131267		DEFLECTOR BRKT
24	105304X		CAP-SLEEVE LT
25	123713X		SPRING TORSION
26	110452X		NUT PUSH M
27	130968		DEFLECTOR.SHIELD
28	19111016		WASHER
29	131491		HINGE ROD
30	138776		SUB= 157722
31	129963		WASHER
32	153535		PULLEY.MANDREL.42
33	137266		SUB= 139729
34	72110614		BOLT
35	133835		XMAS TREE FASTNER
36	131494		FLAT IDLER PULLEY
37	19131316		WASHER
40	73680600		SUB= 73690600
41	133551		PIVOT ROD
43	140083		ROD CLUTCH W/NIBS
44	140088		GUARD MAND LH BLK
45	4497H		RETAINER M
46	137729		SCREW.1/4-20X5/8
48	133944		HARD SMALL WASHER
49	155066		ROLLER ASM-CAM
50	131340		SHOULDER BOLT
51	69180		LOCKNUT
52	139888		BOLT.SHLD.5/16-18
53	131845X900		SUB= 131845
54	133943		HARDENED WASHER
55	155046		ARM-IDLER
56	122052X		SPACER RETAINER
58	140086		SPRING TORSN BRAK
59	141043		GUARD IDLER TUV
67	106932X		KNOB T(3/8 HOLE)
68	144200		BELT.V.T-PATH
71	142427		ROD CLUTCH 38/42
72	131870		RETURN SPRING
73	127847		CLUTCH ARM SECOND

Ref #	Part Number	Qty	Description
74	121748X		WASHER
75	12000029		RING
76	128903		SHOULDER BOLT
77	127845		SPRING KEEPER
78	154809		LEVER ASM-CLUTCH
79	127498		BUSHING
80	153701		SPRING.CLUTCH.MWR
81	142028		TRUNION ADJ
82	73350600		NUT
83	120958X		WASHER
84	156084		"KEEPER-BELT,FIXED"
85	72140618		BOLT RDHD 3/8-16
92	73800600		NUT
101	136420		"COVER.MULCH.42""
102	71161010		SCREW
103	19061216		WASHER #10
104	10071000		LOCKWASHER
105	130758		SUB= 160793
106	2029J		WELDNUT
111	155197		BRACKET.GWHL.LH.
112	155198		BRACKET.GWHL.RH.
113	17490512		SCREW
114	73510500		NUT
115	72110504		SUB= 872110504
116	137644		BOLT.SHOULDER
117	133957		WHEEL GAGE DONUT
118	73930600		LOCKNUT
119	19121414		WASHER
121	143723		BRACKET.EXTRD.GWL
128	153390		WASHER.FELT.
132	19132203		WASHER GT
	130794		MANDREL ASM
	145411		SUB= 164963



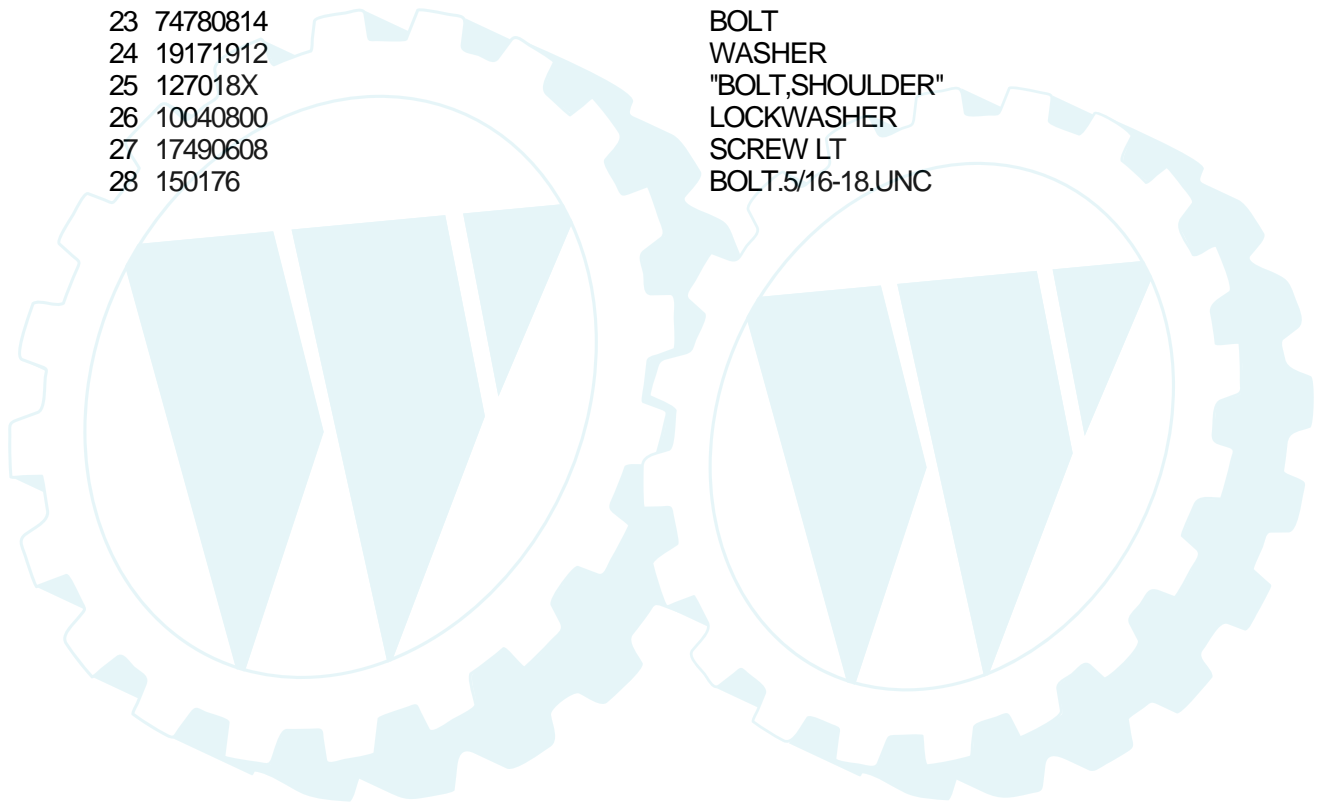
## TRACTOR - - MODEL NUMBER AYP9167A79

### SEAT ASSEMBLY



**NOTE:** All component dimensions given in U.S. Inches  
1 inch = 25.4 mm

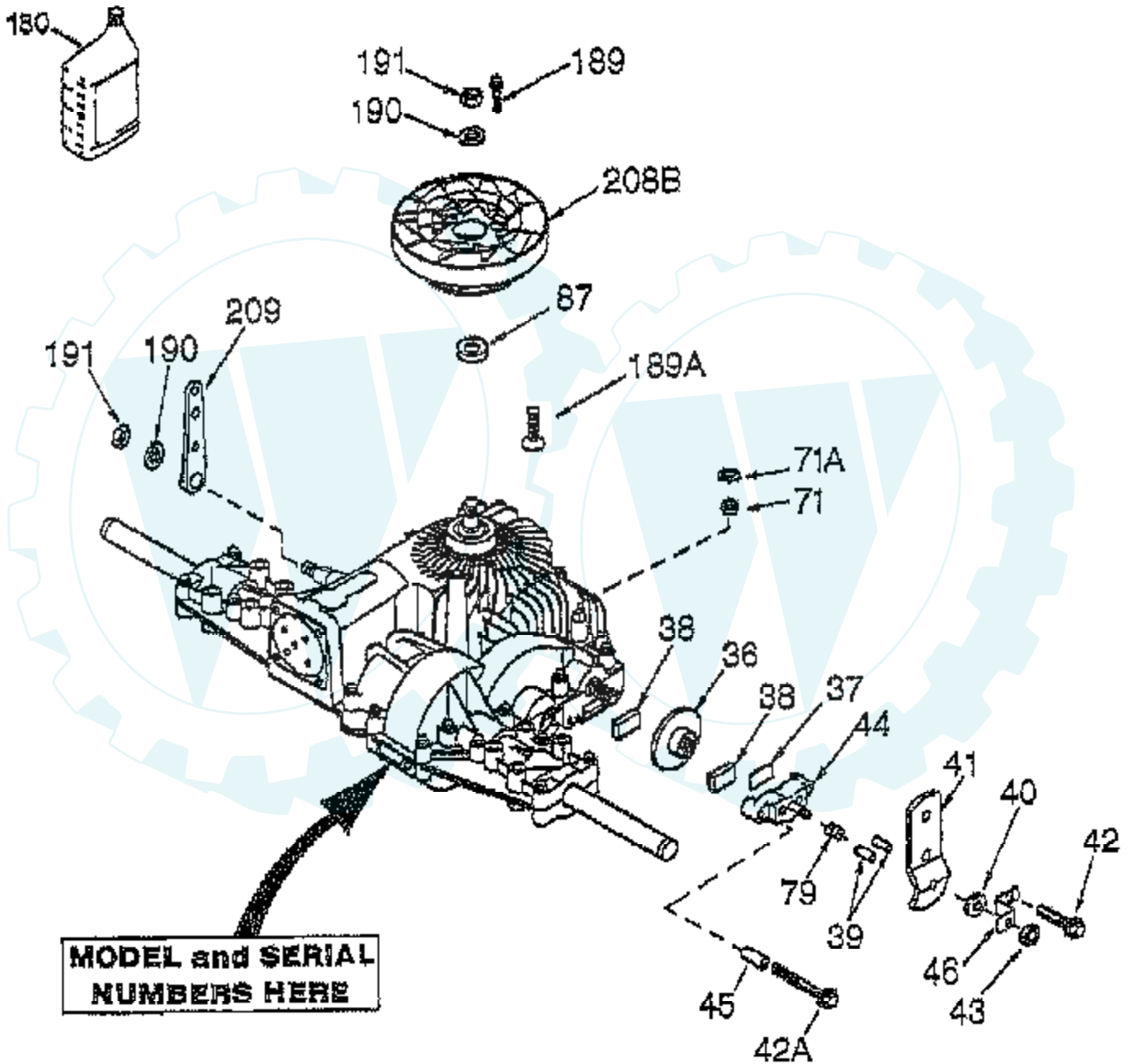
Ref #	Part Number	Qty	Description
1	140117		SEAT.2400/1416.BK
2	140551		BRACKET PVT SEAT
5	145006		CLIP.PUSH-IN.HING
6	73680600		SUB= 73690600
7	124181X		SPRING COMPRESSIO
10	155925		PAN-SEAT
12	121246X		BRKT SWITCH
13	121248X		BUSHING
14	72050411		SUB= 872050411
15	134300		SPLIT SPACER
16	121250X		SPRING
17	123976X		SUB= 73900400
21	153236		"BOLT,SHOULDER"
22	73800500		NUT
23	74780814		BOLT
24	19171912		WASHER
25	127018X		"BOLT,SHOULDER"
26	10040800		LOCKWASHER
27	17490608		SCREW LT
28	150176		BOLT.5/16-18.UNC



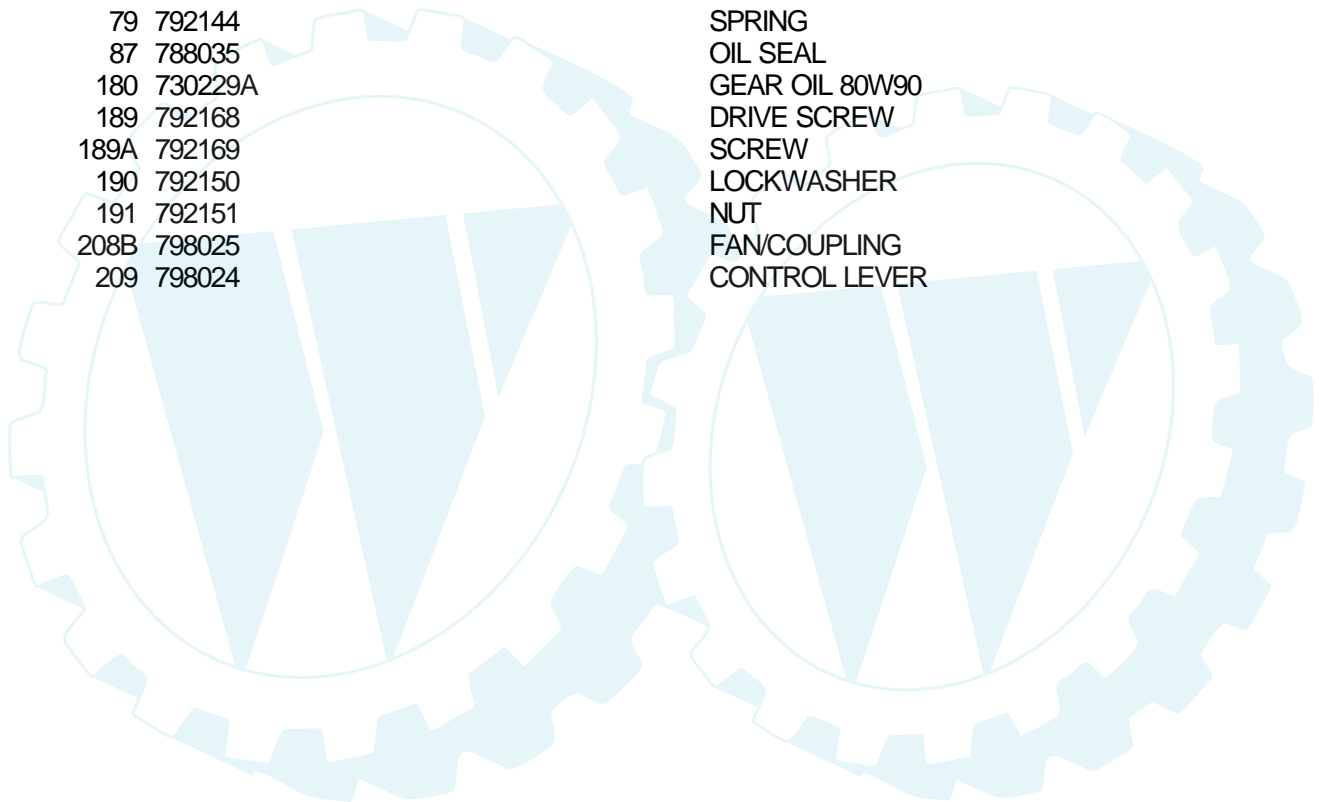


Ref #	Part Number	Qty	Description
1	140044		WHEEL STR AYP BLK
2	137094		SUB= 532137094
3	154920		SPINDLE ASM LH
4	154921		SPINDLE AMS RH
5	6266H		WASHER .T
6	121748X		WASHER
7	19272016		WASHER
8	12000029		RING
9	3366R		COL. SRTG. BEAR.
10	154432		LINK.DRAG
11	10040600		LOCKWASHER
13	154779		BEARING AXLE
15	73901000		"NUT-LOC,FLANGE LT"
17	156546		SHAFT ASM STEERIN
18	57079		THRUST WASHER
19	124035X		SUPPORT.SHAFT
20	126684X		SUB= 532126684
21	10040400		LOCKWASHER
22	71100410		SCREW.SCKTHD.CAP
23	127501		SUB= 918127501
25	154406		BRKT-STEERING
27	136874		GEAR SECTOR
29	17490612		SCREW
32	137347		ROD.ASM.TIE.BALL
36	155099		BUSHING.STEERING
37	152927		"SCREW-TT,10-32 FL"
38	140045		CAP STEER AYP
39	19133808		WASHER T
40	7810H		GRIPCO NUT
41	100711L		ADAPTER LT
42	145054		BOOT.STEER.PL
43	121749X		WASHER
44	153720		EXT SHAFT STEERIN
46	121232X		CAP
47	6855M		ZERK M
51	73800500		NUT
54	74780520		BOLT
62	156594		KIT STEERING ASM
63	74780616		BOLT
65	154780		SPACER AXLE
66	154404		"BEARING-ARM,PITMA"
67	74781044		BOLT
68	154429		BRACE AXLE

**TRACTOR - - MODEL NUMBER AYP9167A79**  
**TRANSAXLE PEERLESS - MODEL NUMBER 205-26B**

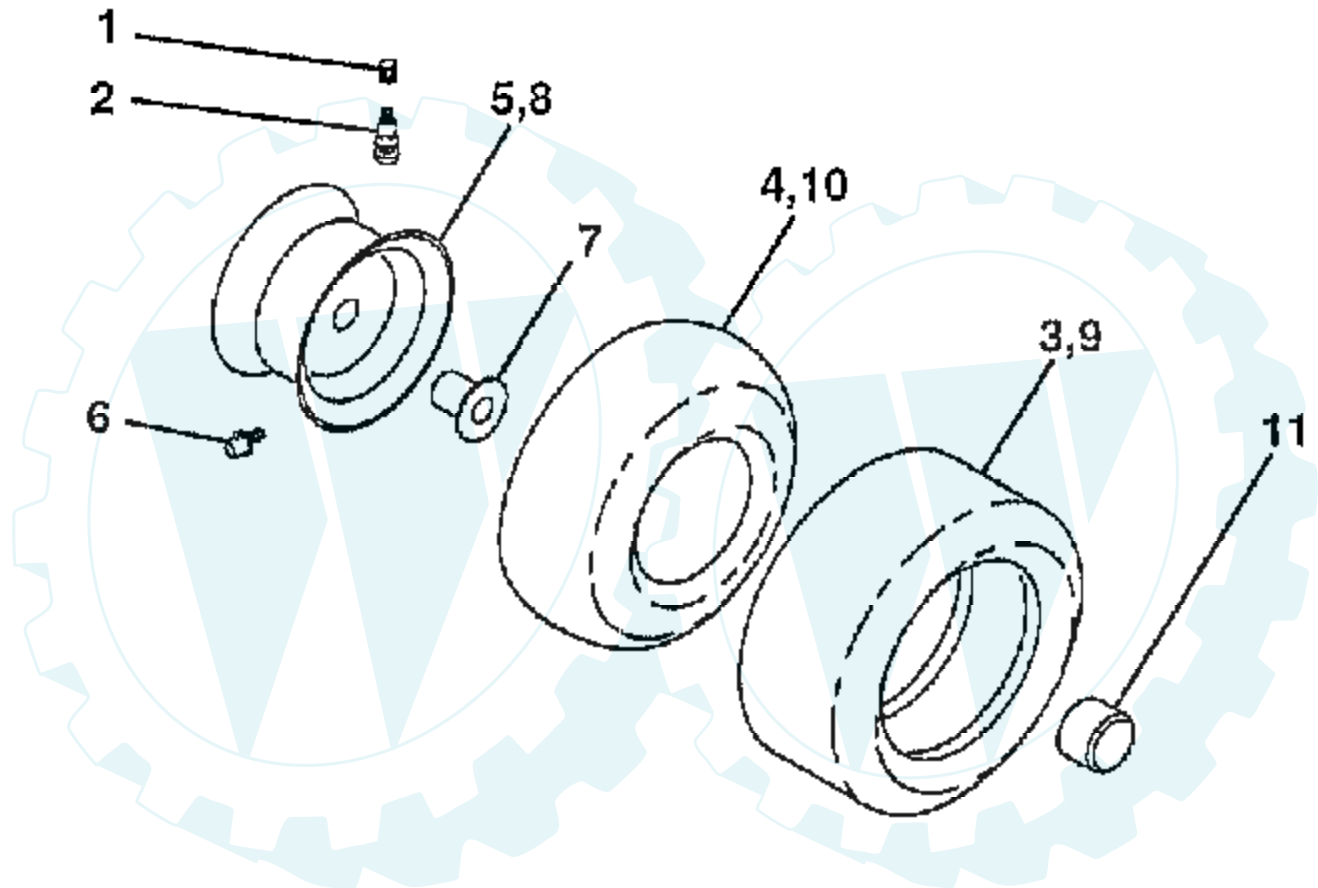


Ref #	Part Number	Qty	Description
36	790075		BRAKE DISC
37	790007		PLATE BRAKE PAD
38	799021		BRAKE PAD
39	786026		PIN DOWEL
40	792076A		WASHER
41	790085		BRAKE LEVER
42	792073		SCREW, 1/4-20 X 1-1/4
42A	792085A		SCREW, 1/4-20 X 2-1/4
43	792075		LOCKNUT 5/16-24
44	790025		HOLDER BRAKE PAD
45	786066		SPACER
46	790086		BRAKE LEVER BRACKET
71	788069		SEAL SQUARE CUT
71A	792162		PUSHNUT
79	792144		SPRING
87	788035		OIL SEAL
180	730229A		GEAR OIL 80W90
189	792168		DRIVE SCREW
189A	792169		SCREW
190	792150		LOCKWASHER
191	792151		NUT
208B	798025		FAN/COUPLING
209	798024		CONTROL LEVER



# TRACTOR - - MODEL NUMBER AYP9167A79

## WHEELS AND TIRES



**NOTE:** All component dimensions given in U.S. inches  
1 inch = 25.4 mm

Ref #	Part Number	Qty	Description
1	59192		VALVE CAP
2	65139		VALVE STEM LT
3	106222X		SUB= 122073X
4	59904		TUBE.5.3/4.5/6
5	106732X427		"RIM ASM 6"" FRT"
6	278H		FITTING LT
7	9040H		"FLANGE, BEARING"
8	106108X427		"RIM AS 8"" REAR"
9	122082X		SUB= 918122082X
10	7152J		TUBE.18X9.5-8
11	104757X		HUB CAP
	144334		SEALANT.TIRE 10 OZ. TUBE

