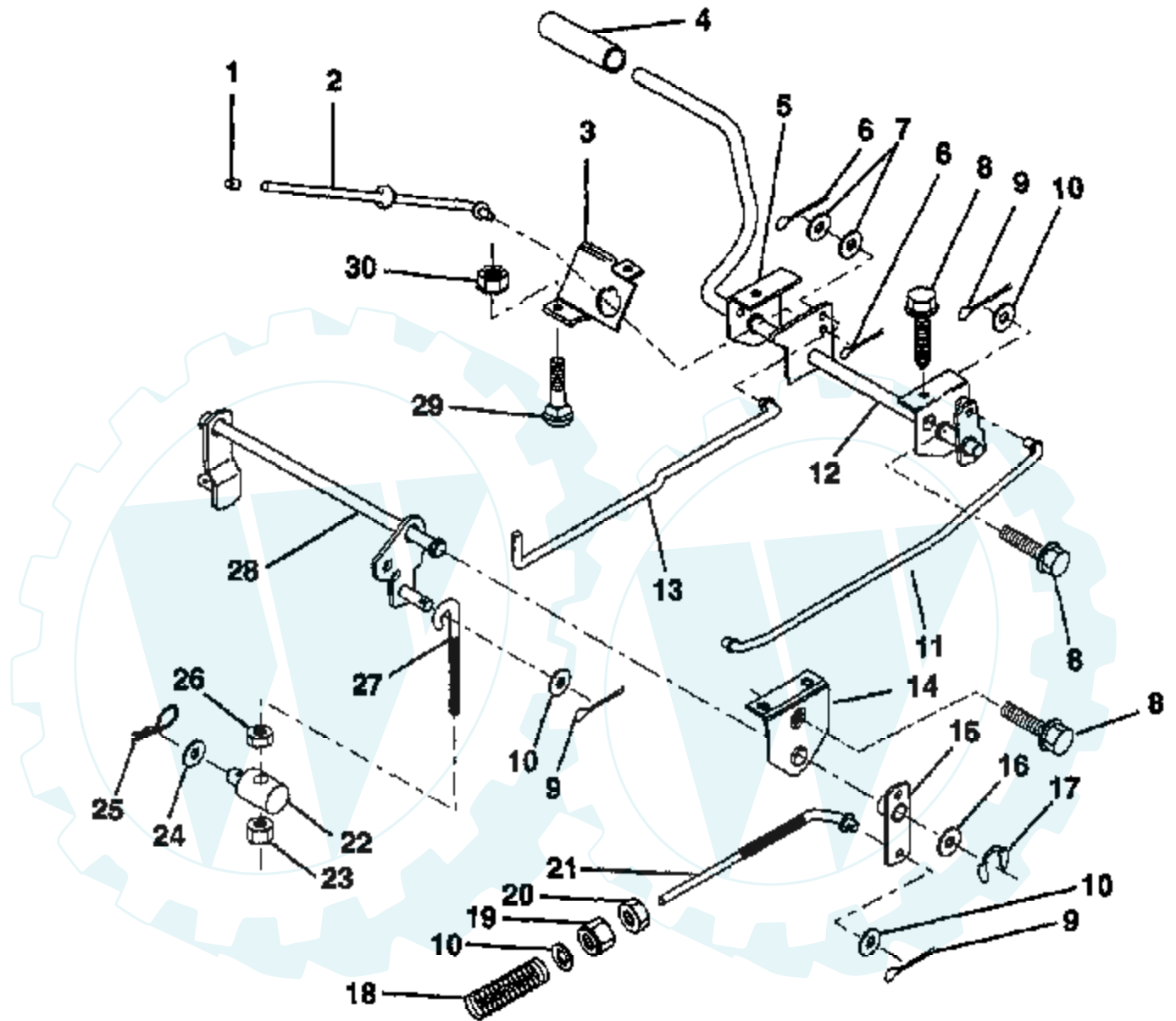


12 HP 36" TRACTOR - - MODEL NUMBER AYP9120A29 BRAKE / REAR MOWER LIFT ASSEMBLY



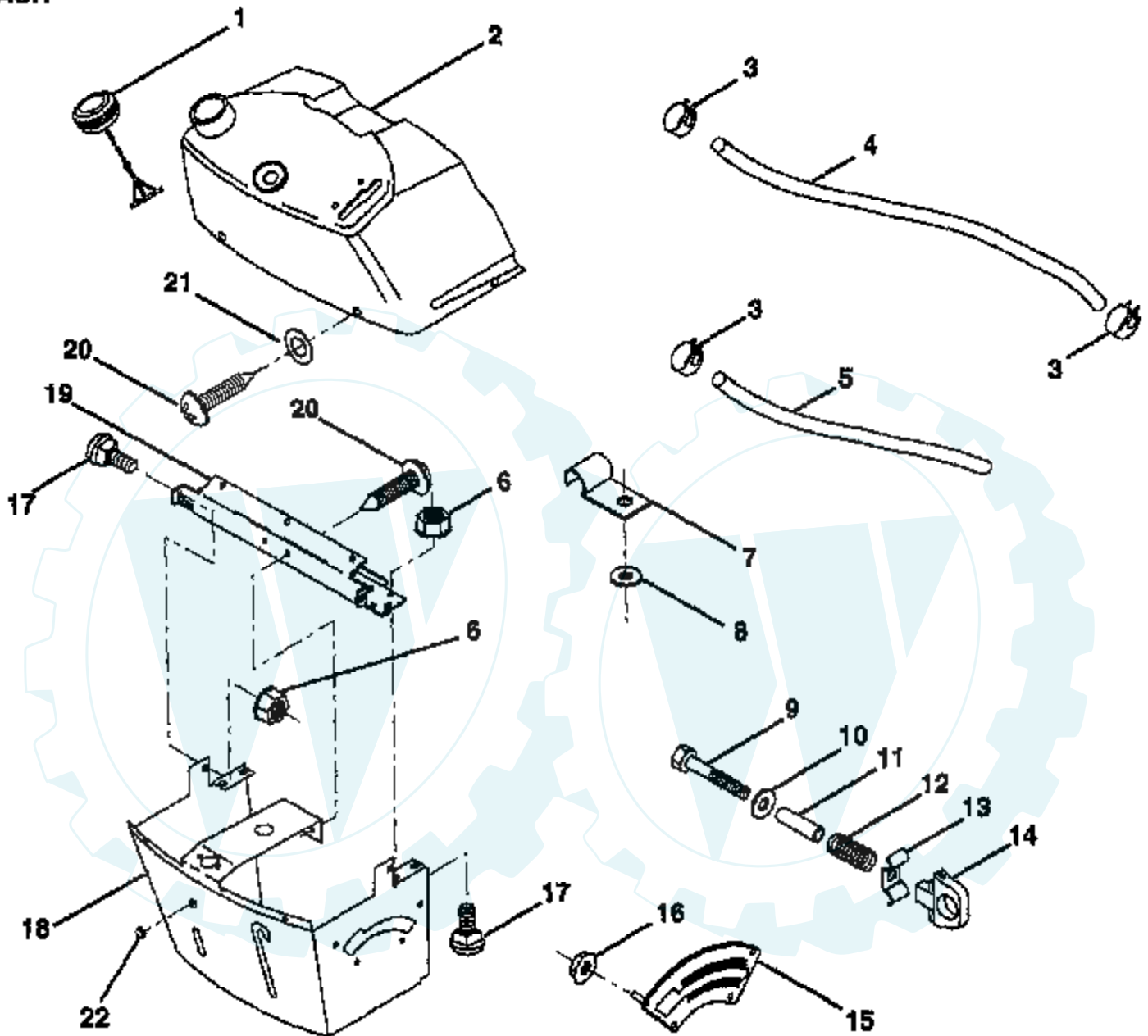
NOTE: All component dimensions given in U.S. Inches
1 inch = 25.4 mm

HARDWARE SHOWN LARGER FOR EASIER IDENTIFICATION

Ref #	Part Number	Qty	Description
1	71673		PLUNGER CAP T
2	123436X		"ROD,PARK BRAKE"
3	123437X		"BRKT,PARK BRAKE"
4	8156H		FOOT PEDAL COVER
5	122504X		"BRKT,CLU PEDAL LH"
6	76020312		SUB= 3145
7	19131016		WASHER
8	17490508		SCREW LT
9	76020412		COTTER PIN
10	19131316		WASHER
11	123543X		"ROD,FRT BRAKE"
12	129567		SUB= 139933
13	123394X		"ROD,CLUTCH"
14	121978X		"BRKT,LIFT SHAFT"
15	123641X		BRAKE PIVOT ARM
16	19251816		WASHER T
17	12000034		KLIP RING
18	106888X		SPRING ROD LT
19	73350600		NUT
20	73680600		SUB= 73690600
21	131460		SUB= 532131460
22	127378		SUB= 144585
23	73680600		SUB= 73690600
24	19132012		WASHER
25	4921H		SPRING.RETAINER
26	73930600		LOCKNUT
27	127369		"LINK, MOWER REAR"
28	127358		SUB= 140776
29	72110506		SUB= 72270506
30	73510500		NUT

12 HP 36" TRACTOR - - MODEL NUMBER AYP9120A29

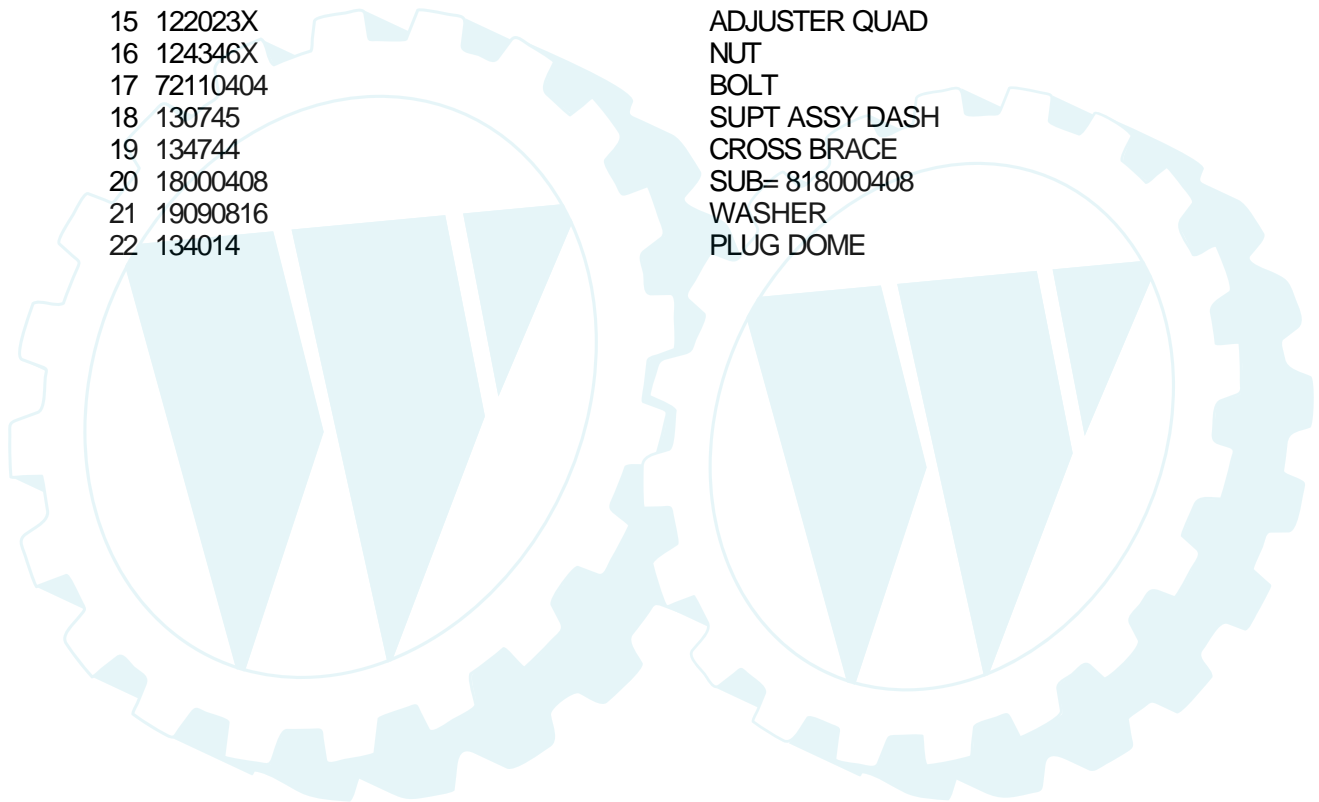
DASH



NOTE: All component dimensions given in U.S. inches
1 inch = 25.4 mm

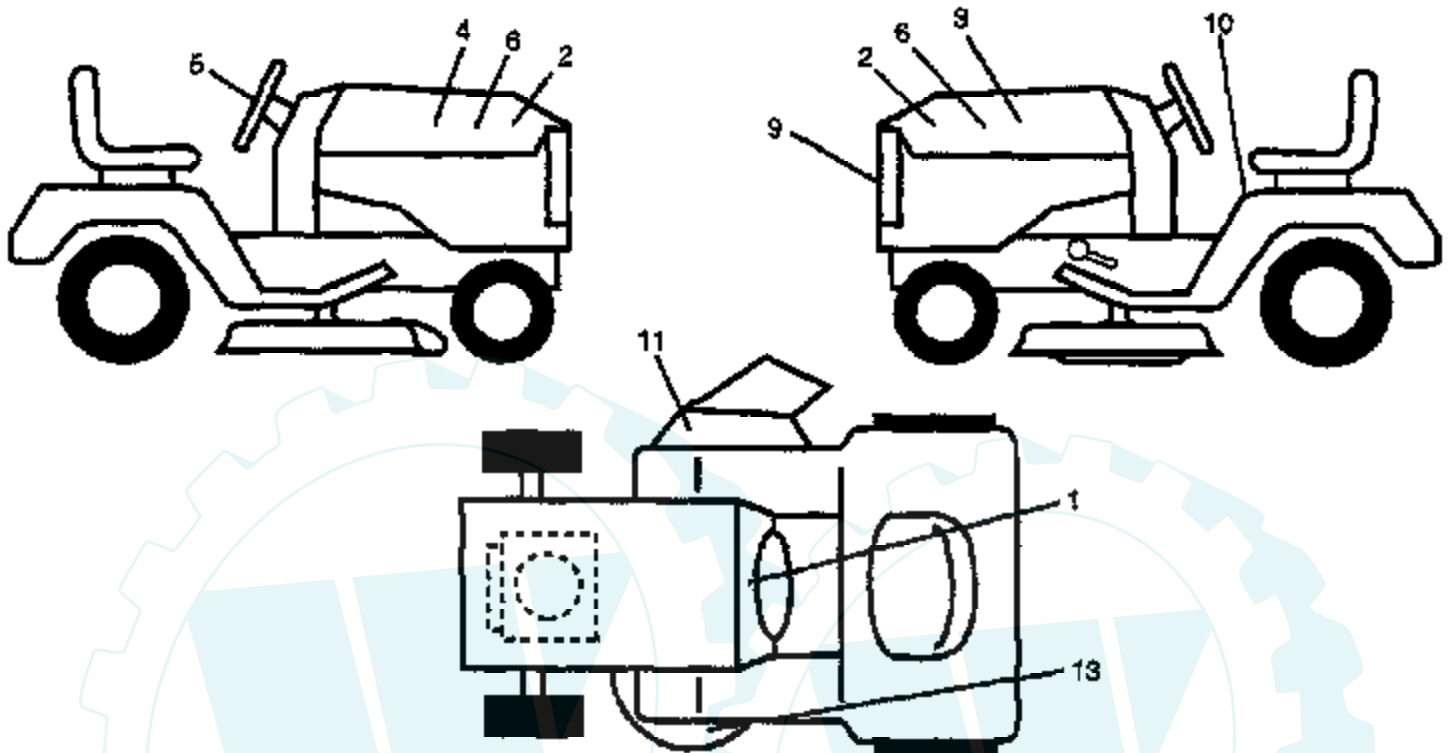
HARDWARE SHOWN LARGER FOR EASIER IDENTIFICATION

Ref #	Part Number	Qty	Description
1	122015X		SUB= 141523
2	130914		SUB= 138392
3	123487X		HOSE CLAMP
4	8544R		SUB= 295J
5	8548R		FUEL LINE T
6	73510400		NUT
7	2751R		CLIP T
8	19091216		WASHER PM
9	74760428		BOLT
10	19091413		WASHER
11	121249X		SPACER SPLIT
12	3720R		SPRING M
13	126450X		"KNOB,HGT RETAINER"
14	126115X		KNOB
15	122023X		ADJUSTER QUAD
16	124346X		NUT
17	72110404		BOLT
18	130745		SUPT ASSY DASH
19	134744		CROSS BRACE
20	18000408		SUB= 818000408
21	19090816		WASHER
22	134014		PLUG DOME



12 HP 36" TRACTOR - - MODEL NUMBER AYP9120A29

DECALS



NOTE: All component dimensions given in U.S. Inches
1 inch = 25.4 mm

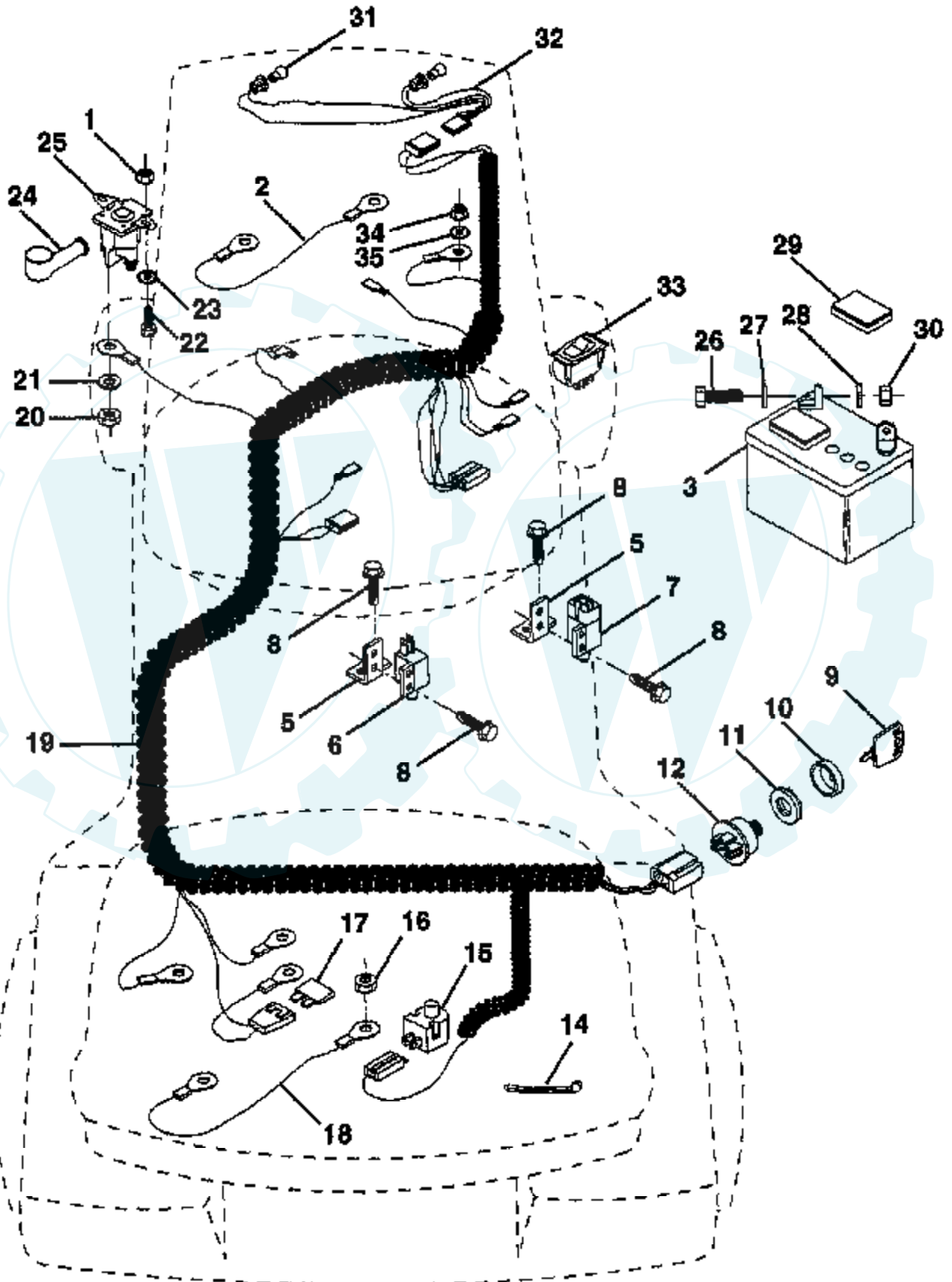
HARDWARE SHOWN LARGER FOR EASIER IDENTIFICATION

Ref #	Part Number	Qty	Description
1	126712X		SUB= 138272
2	133780		NLA
3	136483		DECAL, STRIPE, HOOD, L.H.
4	136482		DECAL, STRIPE, HOOD, R.H.
5	133870		NLA
6	136484		DECAL, SIDE PANEL
9	126860		SUB= 126860X
10	133796		DECAL
11	121343X		DECAL WARING
13	3713J		DECAL INSTRUCTION CAUTION
	136487		MANUAL



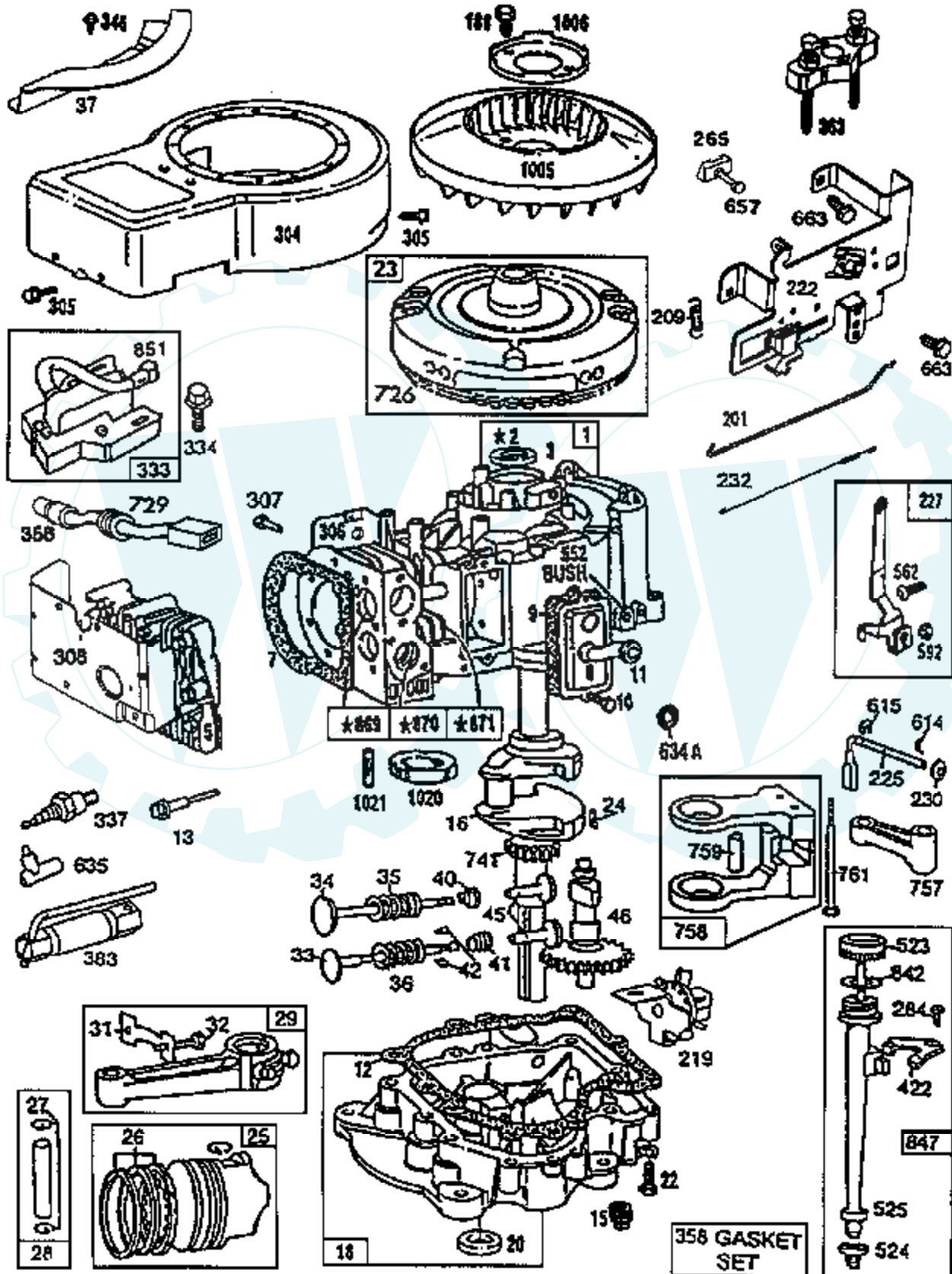
12 HP 36" TRACTOR -- MODEL NUMBER AYP9120A29

ELECTRICAL



Ref #	Part Number	Qty	Description
1	73510400		NUT
2	108423X		CABLE ASM.
3	133909		SUB= 123899X
5	108236X		BRACKET LT
6	104445X		SWITCH-INTER. GT
7	109553X		SWITCH INTERLOCKT
8	17021008		SCREW
9	122147X		KEY
10	123620X		SUB= 141226
11	124211X		NUT IGNITION
12	4406R		SUB= STD365402
14	7192J		WIRE TIE
15	121305X		SWITCH SEAT
16	73510500		NUT
17	108824X		FUSE HYT
18	128353		CABLE ASSY
19	132222		SUB= 532132222
20	73350400		NUT
21	10090400		SUB= 10040400
22	74780408		BOLT
23	11050400		LOCKWASHER
24	131563		SUB= 154336
25	109081X		SUB= 146154
26	74760412		BOLT LT
27	19091016		WASHER
28	10040400		LOCKWASHER
29	121264X		"CAP,BATTERY "
30	73220400		SUB= 50675
31	7662J		SUB= 4152J
32	127441X		SUB= 136850
33	110712X		SWITCH LT
34	73510600		NUT
35	11050600		LOCKWASHER

12 HP 36" TRACTOR - - MODEL NUMBER AYP9120A29
ENGINE BRIGGS & STRATTON - MODEL NUMBER 282707, TYPE NUMBER O111-01



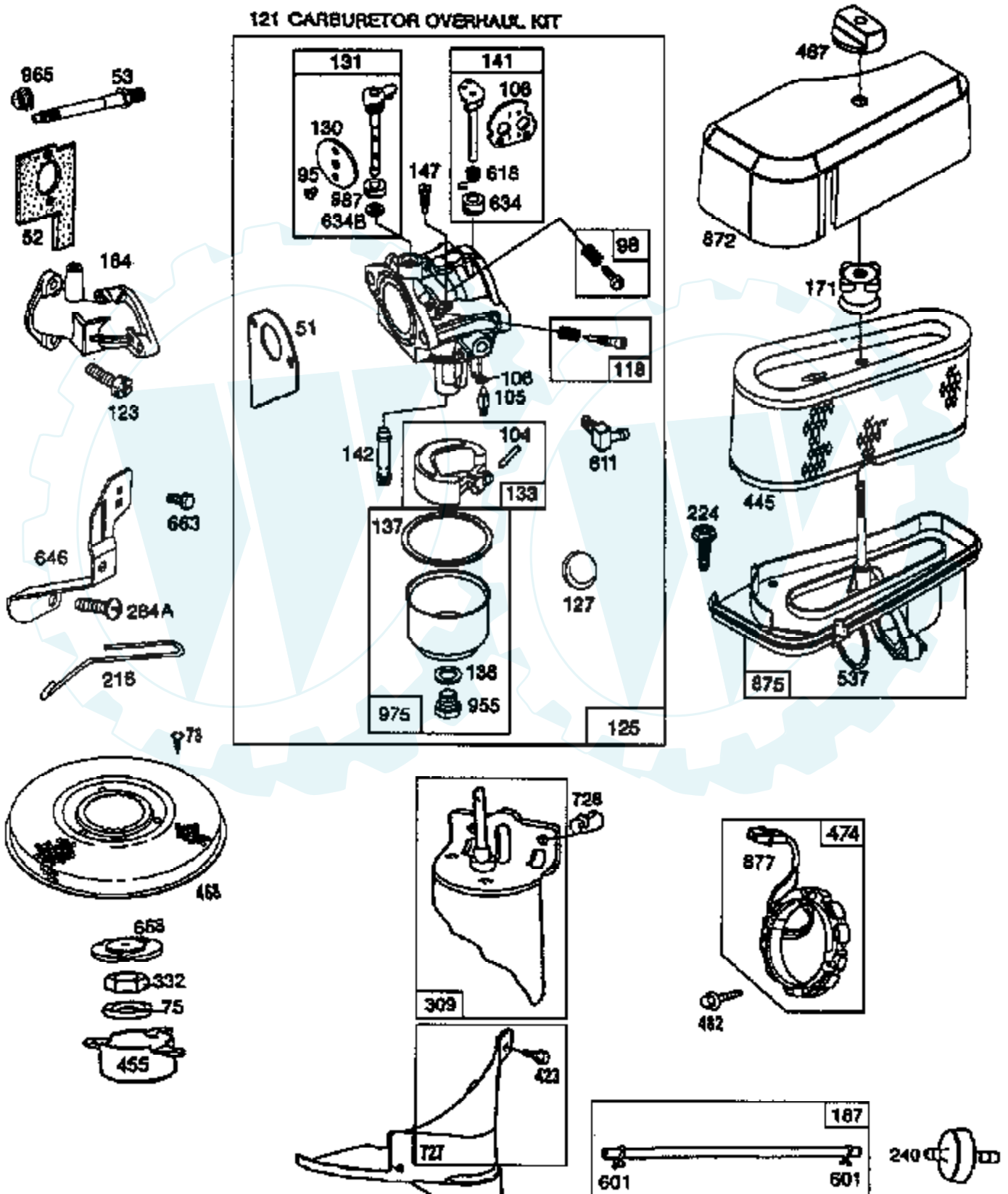
Ref #	Part Number	Qty	Description
1	490449		CYLINDER ASSEMBLY
2	399265		P/N CONFLICT - CHECK WITH SUPPLIER
3	391086		SEAL, OIL
5	494240		HEAD, CYLINDER
7	271866		GASKET, CYLINDER HEAD
8	391406		BREATHER ASSEMBLY
9	27803		GASKET, VALVE COVER
10	94621		SCREW, STEMS
11	280100		TUBE, BREATHER
12	271916		GASKET, CRANKCASE COVER 1/64"
	271997		GASKET, CRANKCASE COVER .005"
	271996		GASKET, CRANKCASE COVER .009"
13	93723		SCREW, CYLINDER HEAD 3"
15	94239		PLUG, OIL DRAIN
16	490466		CRANKSHAFT
	94196		KEY, TIMING GEAR
18	494238		BASE, ENGINE
20	291675		SEAL, OIL
22	94305		SCREW, SEMS, BASE MOUNTING
23	492326		FLYWHEEL & RING GEAR ASSY, MAGNETO
24	222698		KEY, FLYWHEEL
25	391285		PISTON ASSEMBLY, STANDARD
	391287		PISTON ASSEMBLY
	391288		PISTON ASSEMBLY
	391289		PISTON ASSEMBLY
26	391780		RING SET, PISTON, STANDARD
	392331		RING SET, PISTON, STANDARD SIZE
	391781		RING SET, PISTON .010" OVERSIZE
	391782		RING SET, PISTON .020" OVERSIZE
	391783		RING SET, PISTON .030" OVERSIZE
27	260924		LOCK, PISTON PIN
28	299691		PIN ASSEMBLY, PISTON, STANDARD
	391286		PIN ASSEMBLY, PISTON .005" OVER
29	490348		ROD ASSEMBLY, CONNECTING
	490469		ROD ASSEMBLY, CONNECTING .020" UNDERSIZE
			CRANKPIN
31	222299		LOCK, CONNECTING ROD SCREW
32	92909		SCREW, CONNECTING ROD
33	262246		VALVE, EXHAUST
34	262247		VALVE, INTAKE
35	65906		SPRING, INTAKE VALVE
36	26828		SPRING, EXHAUST VALVE
37	223752		GUARD, FLYWHEEL
40	221596		RETAINER, INTAKE VALVE
41	292260		RETAINER, EXHAUST VALVE
42	93630		RETAINER, EXHAUST VALVE ROTOCOIL(2)
45	262248		TAPPET-VALVE
46	212897		GEAR, CAM
51	272465		GASKET, CARBURETOR (CARBURETOR TO ELBOW)
52	270872		GASKET, CARBURETOR
53	94637		STUD, CARBURETOR MOUNTING
75	224061		WASHER, SPRING
78	93805		SCREW, SEMS
95	94098		SCREW, THROTTLE
98	494382		SCREW, IDLE SPEED
104	231789		PIN, FLOAT HINGE
105	231790		VALVE ASSEMBLY, INLET NEEDLE

Ref #	Part Number	Qty	Description
106	281169		INLET, VALVE SEAT
108	224540		VALVE, CHOKE
118	494383		VALVE, NEEDLE
121	494384		CARBURETOR OVERHAUL KIT
123	94616		SCREW, ELBOW MOUNTING
125	494502		CARBURETOR ASSEMBLY
127			REFER TO IMAGE
130	224539		VALVE, THROTTLE
131	494379		SHAFT & LEVER, THROTTLE
133	494381		FLOAT, CARBURETOR
137	281165		GASKET, FLOAT BOWL
138	281164		WASHER, FLOAT BOWL SCREW
141	494380		SHAFT AND LEVER, CHOKE
142	494537		NOZZLE/JET, CARBURETOR
	494499		HIGH ALTITUDE KIT
147	231794		PILOT, JET
164	213819		ELBOW, INTAKE
171	281051		P/N CONFLICT - CHECK WITH SUPPLIER
187	393815		HOSE (CUT TO SUIT)
188	93535		SCREW, HEX HEAD
201	262767		LINK, GOVERNOR
209	260871		SPRING, GOVERNOR
216	262766		LINK, CHOKE
219	490815		GOVERNOR GEAR
222	494887		PLATE, GOVERNOR CONTROL
224	94513		SCREW, SEMS, AIR CLEANER
225	231058		CRANK, GOVERNOR
227	493935		LEVER ASSY, GOVERNOR
230	222450		WASHER, GOVERNOR LEVER
232	262785		SPRING, GOVERNOR LINK
240	394358		FILTER, FUEL
265	221535		CLAMP
284	94419		SCREW, CLAMP MOUNTING
284A	94326		SCREW, AIR CLEANER
304	494269		HOUSING, BLOWER
305	94608		SCREW, SEMS
306	224545		SHIELD, CYLINDER
307	93949		SCREW, SEMS
308	491490		COVER, CYLINDER HEAD
309			REFER TO IMAGE
309	394805		MOTER AND DRIVE ASSY.
310	94003		BOLT
311	395538		BRUSH ASSEMBLY
332	92284		NUT, FLYWHEEL
333	492341		ARMATURE, MAGNETO
334	93381		SCREW, SEM, ARMATURE MOUNTING
337	802592		PLUG, SPARK
346	93705		SUB= 69485
356	494328		WIRE, GROUND
358	494241		GASKET SET
363	19203		PULLER, FLYWHEEL
383	89838		WRENCH SPARK PLUG
422	223721		CLAMP, OIL FILLER TUBE
423	94073		SCREW, HEX HEAD
445	493909		CARTRIDGE, AIR CLEANER
455	222561		CUP, SCREEN MOUNTING
467	493903		KNOB, AIR CLEANER
468	222562		SCREEN, FLUSH ROTATING

Ref #	Part Number	Qty	Description
474	393474		STATOR, ALTERNATOR, DUAL CIRCUIT
482	93621		SCREW, SEMS
510	490421		STARTER DRIVE GROUP
523	490327		CAP AND DIPSTICK, OIL FILLER
524	68838		SEAL, FILLER TUBE
525	280741		TUBE, OIL FILLER
537	281106		O-RING, AIR CLEANER
544	390837		ARRMATURE ASSEMBLY
552	231597		BUSHING, GOVERNOR CRANK, 1/4" I.D.
562	92613		BOLT, GOVERNOR LEVER
592	231082		NUT, HEX
601	93053		CLAMP, HOSE, GREEN
611	494451		FUEL INLET TUBE
614	93306		COTTER, HAIR PIN
615	93307		RETAINER, E-RING
618	262803		SPRING, CHOKE RETURN
634	281168		SEAL, CHOKE SHAFT
634A	491323		SEAL, GOVERNOR
634B	281167		WASHER, THROTTLE SHAFT
635	66538		ELBOW, SPARK PLUG
646	224546		BRACE, AIR CLEANER
657	93496		SCREW, SEMS
663	94620		SCREW, HEX HEAD
668	280848		SPACER
726	392134		GEAR, RING
727	490324		COVER, STARTER
728	94627		SCREW, SEMS 3/4"
729	281159		CLIP, LEAD WIRE
741	262135		GEAR, TIMING
757	212359		LINK, COUNTERWEIGHT
758	399891		COUNTERWEIGHT ASSY
759	298909		PIN ASSY, PISTON, STD
761	93875		SCREW, COUTENWEIGHT
801	394856		CAP, DRIVE
802	395537		END CAP ASSY. COMMUTATOR
803	398159		HOUSING ASSEMBLY
842	270920		SEAL, OIL FILLER CAP
847	490474		FILL GROUP, OIL
851	221798		TERMINAL, IGNITION CABLE
869	261463		SEAT, INTAKE VALVE, STANDARD
870	213316		SEAT, EXHAUST VALVE, STANDARD
871	261961		GUIDE, EXHAUST VALVE
	231218		GUIDE, INTAKE VALVE
872	281104		COVER, AIR CLEANER
875	494237		BODY, AIR CLEANER
877	393456		DIODE & CONNECTOR ASSY
955	94642		SCREW, FUEL BOWL
965	94108		LOCKNUT, AIR CLEANER MOUNTING
975	494378		BOWL ASSEMBLY, CARBURETOR
977	494385		CARBURETOR GASKET KIT
987	281166		SEAL, THROTTLE SHAFT
1005	280687		FAN, FLYWHEEL
1006	224413		RETAINER, FAN
1020	262243		ECCENTRIC
1021	94160		PIN, ECCENTRIC

12 HP 36" TRACTOR - - MODEL NUMBER AYP9120A29 ENGINE BRIGGS & STRATTON - MODEL NUMBER 282707, TYPE NUMBER O111-01

121 CARBURETOR OVERHAUL KIT

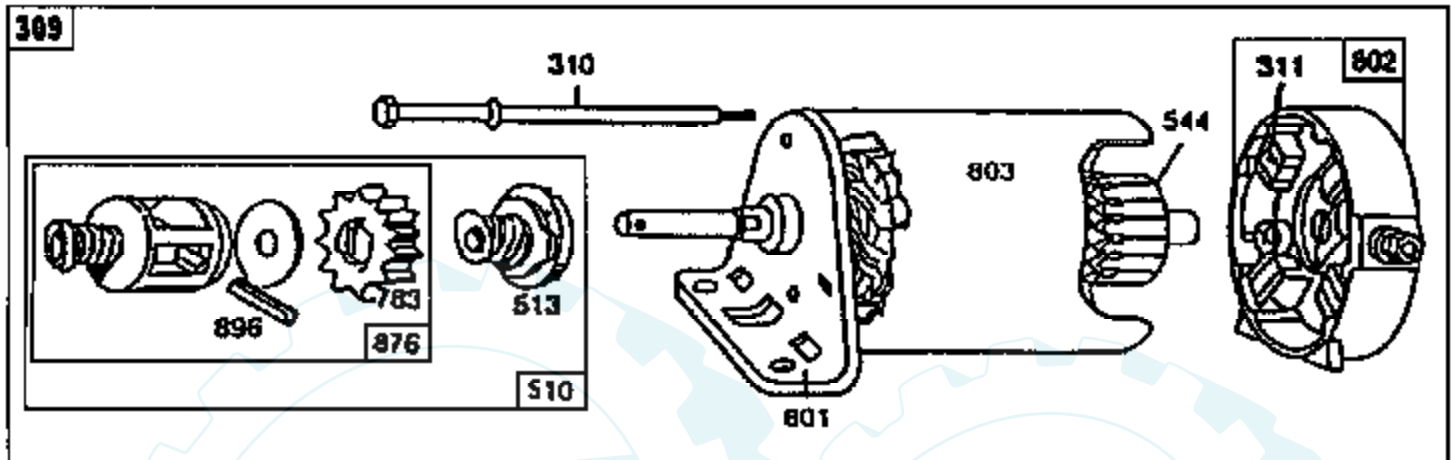


Ref #	Part Number	Qty	Description
1	490449		CYLINDER ASSEMBLY
2	399265		P/N CONFLICT - CHECK WITH SUPPLIER
3	391086		SEAL, OIL
5	494240		HEAD, CYLINDER
7	271866		GASKET, CYLINDER HEAD
8	391406		BREATHER ASSEMBLY
9	27803		GASKET, VALVE COVER
10	94621		SCREW, STEMS
11	280100		TUBE, BREATHER
12	271916		GASKET, CRANKCASE COVER 1/64"
	271997		GASKET, CRANKCASE COVER .005"
	271996		GASKET, CRANKCASE COVER .009"
13	93723		SCREW, CYLINDER HEAD 3"
15	94239		PLUG, OIL DRAIN
16	490466		CRANKSHAFT
	94196		KEY, TIMING GEAR
18	494238		BASE, ENGINE
20	291675		SEAL, OIL
22	94305		SCREW, SEMS, BASE MOUNTING
23	492326		FLYWHEEL & RING GEAR ASSY, MAGNETO
24	222698		KEY, FLYWHEEL
25	391285		PISTON ASSEMBLY, STANDARD
	391287		PISTON ASSEMBLY
	391288		PISTON ASSEMBLY
	391289		PISTON ASSEMBLY
26	391780		RING SET, PISTON, STANDARD
	392331		RING SET, PISTON, STANDARD SIZE
	391781		RING SET, PISTON .010" OVERSIZE
	391782		RING SET, PISTON .020" OVERSIZE
	391783		RING SET, PISTON .030" OVERSIZE
27	260924		LOCK, PISTON PIN
28	299691		PIN ASSEMBLY, PISTON, STANDARD
	391286		PIN ASSEMBLY, PISTON .005" OVER
29	490348		ROD ASSEMBLY, CONNECTING
	490469		ROD ASSEMBLY, CONNECTING .020" UNDERSIZE
			CRANKPIN
31	222299		LOCK, CONNECTING ROD SCREW
32	92909		SCREW, CONNECTING ROD
33	262246		VALVE, EXHAUST
34	262247		VALVE, INTAKE
35	65906		SPRING, INTAKE VALVE
36	26828		SPRING, EXHAUST VALVE
37	223752		GUARD, FLYWHEEL
40	221596		RETAINER, INTAKE VALVE
41	292260		RETAINER, EXHAUST VALVE
42	93630		RETAINER, EXHAUST VALVE ROTOCOIL(2)
45	262248		TAPPET-VALVE
46	212897		GEAR, CAM
51	272465		GASKET, CARBURETOR (CARBURETOR TO ELBOW)
52	270872		GASKET, CARBURETOR
53	94637		STUD, CARBURETOR MOUNTING
75	224061		WASHER, SPRING
78	93805		SCREW, SEMS
95	94098		SCREW, THROTTLE
98	494382		SCREW, IDLE SPEED
104	231789		PIN, FLOAT HINGE
105	231790		VALVE ASSEMBLY, INLET NEEDLE

Ref #	Part Number	Qty	Description
106	281169		INLET, VALVE SEAT
108	224540		VALVE, CHOKE
118	494383		VALVE, NEEDLE
121	494384		CARBURETOR OVERHAUL KIT
123	94616		SCREW, ELBOW MOUNTING
125	494502		CARBURETOR ASSEMBLY
127			REFER TO IMAGE
130	224539		VALVE, THROTTLE
131	494379		SHAFT & LEVER, THROTTLE
133	494381		FLOAT, CARBURETOR
137	281165		GASKET, FLOAT BOWL
138	281164		WASHER, FLOAT BOWL SCREW
141	494380		SHAFT AND LEVER, CHOKE
142	494537		NOZZLE/JET, CARBURETOR
	494499		HIGH ALTITUDE KIT
147	231794		PILOT, JET
164	213819		ELBOW, INTAKE
171	281051		P/N CONFLICT - CHECK WITH SUPPLIER
187	393815		HOSE (CUT TO SUIT)
188	93535		SCREW, HEX HEAD
201	262767		LINK, GOVERNOR
209	260871		SPRING, GOVERNOR
216	262766		LINK, CHOKE
219	490815		GOVERNOR GEAR
222	494887		PLATE, GOVERNOR CONTROL
224	94513		SCREW, SEMS, AIR CLEANER
225	231058		CRANK, GOVERNOR
227	493935		LEVER ASSY, GOVERNOR
230	222450		WASHER, GOVERNOR LEVER
232	262785		SPRING, GOVERNOR LINK
240	394358		FILTER, FUEL
265	221535		CLAMP
284	94419		SCREW, CLAMP MOUNTING
284A	94326		SCREW, AIR CLEANER
304	494269		HOUSING, BLOWER
305	94608		SCREW, SEMS
306	224545		SHIELD, CYLINDER
307	93949		SCREW, SEMS
308	491490		COVER, CYLINDER HEAD
309			REFER TO IMAGE
309	394805		MOTER AND DRIVE ASSY.
310	94003		BOLT
311	395538		BRUSH ASSEMBLY
332	92284		NUT, FLYWHEEL
333	492341		ARMATURE, MAGNETO
334	93381		SCREW, SEM, ARMATURE MOUNTING
337	802592		PLUG, SPARK
346	93705		SUB= 69485
356	494328		WIRE, GROUND
358	494241		GASKET SET
363	19203		PULLER, FLYWHEEL
383	89838		WRENCH SPARK PLUG
422	223721		CLAMP, OIL FILLER TUBE
423	94073		SCREW, HEX HEAD
445	493909		CARTRIDGE, AIR CLEANER
455	222561		CUP, SCREEN MOUNTING
467	493903		KNOB, AIR CLEANER
468	222562		SCREEN, FLUSH ROTATING

Ref #	Part Number	Qty	Description
474	393474		STATOR, ALTERNATOR, DUAL CIRCUIT
482	93621		SCREW, SEMS
510	490421		STARTER DRIVE GROUP
523	490327		CAP AND DIPSTICK, OIL FILLER
524	68838		SEAL, FILLER TUBE
525	280741		TUBE, OIL FILLER
537	281106		O-RING, AIR CLEANER
544	390837		ARMATURE ASSEMBLY
552	231597		BUSHING, GOVERNOR CRANK, 1/4" I.D.
562	92613		BOLT, GOVERNOR LEVER
592	231082		NUT, HEX
601	93053		CLAMP, HOSE, GREEN
611	494451		FUEL INLET TUBE
614	93306		COTTER, HAIR PIN
615	93307		RETAINER, E-RING
618	262803		SPRING, CHOKE RETURN
634	281168		SEAL, CHOKE SHAFT
634A	491323		SEAL, GOVERNOR
634B	281167		WASHER, THROTTLE SHAFT
635	66538		ELBOW, SPARK PLUG
646	224546		BRACE, AIR CLEANER
657	93496		SCREW, SEMS
663	94620		SCREW, HEX HEAD
668	280848		SPACER
726	392134		GEAR, RING
727	490324		COVER, STARTER
728	94627		SCREW, SEMS 3/4"
729	281159		CLIP, LEAD WIRE
741	262135		GEAR, TIMING
757	212359		LINK, COUNTERWEIGHT
758	399891		COUNTERWEIGHT ASSY
759	298909		PIN ASSY, PISTON, STD
761	93875		SCREW, COUTENWEIGHT
801	394856		CAP, DRIVE
802	395537		END CAP ASSY. COMMUTATOR
803	398159		HOUSING ASSEMBLY
842	270920		SEAL, OIL FILLER CAP
847	490474		FILL GROUP, OIL
851	221798		TERMINAL, IGNITION CABLE
869	261463		SEAT, INTAKE VALVE, STANDARD
870	213316		SEAT, EXHAUST VALVE, STANDARD
871	261961		GUIDE, EXHAUST VALVE
	231218		GUIDE, INTAKE VALVE
872	281104		COVER, AIR CLEANER
875	494237		BODY, AIR CLEANER
877	393456		DIODE & CONNECTOR ASSY
955	94642		SCREW, FUEL BOWL
965	94108		LOCKNUT, AIR CLEANER MOUNTING
975	494378		BOWL ASSEMBLY, CARBURETOR
977	494385		CARBURETOR GASKET KIT
987	281166		SEAL, THROTTLE SHAFT
1005	280687		FAN, FLYWHEEL
1006	224413		RETAINER, FAN
1020	262243		ECCENTRIC
1021	94160		PIN, ECCENTRIC

12 HP 36" TRACTOR - - MODEL NUMBER AYP9120A29
ENGINE BRIGGS & STRATTON - MODEL NUMBER 282707, TYPE NUMBER O111-01



Reference Number	309	310	311	810	544	801	802	803
Manufacturer	Motor and Drive Assy.	Thru Bolt Assembly	Brush Assembly	Drive Assembly	Armature Assembly	Drive End Cap Assembly	End Cap Assy. Commutator	Housing Assembly
Briggs & Stratton	Housing Length							
12V	3-21/32"	394805	94003	265538	490421	380837	384856	386637

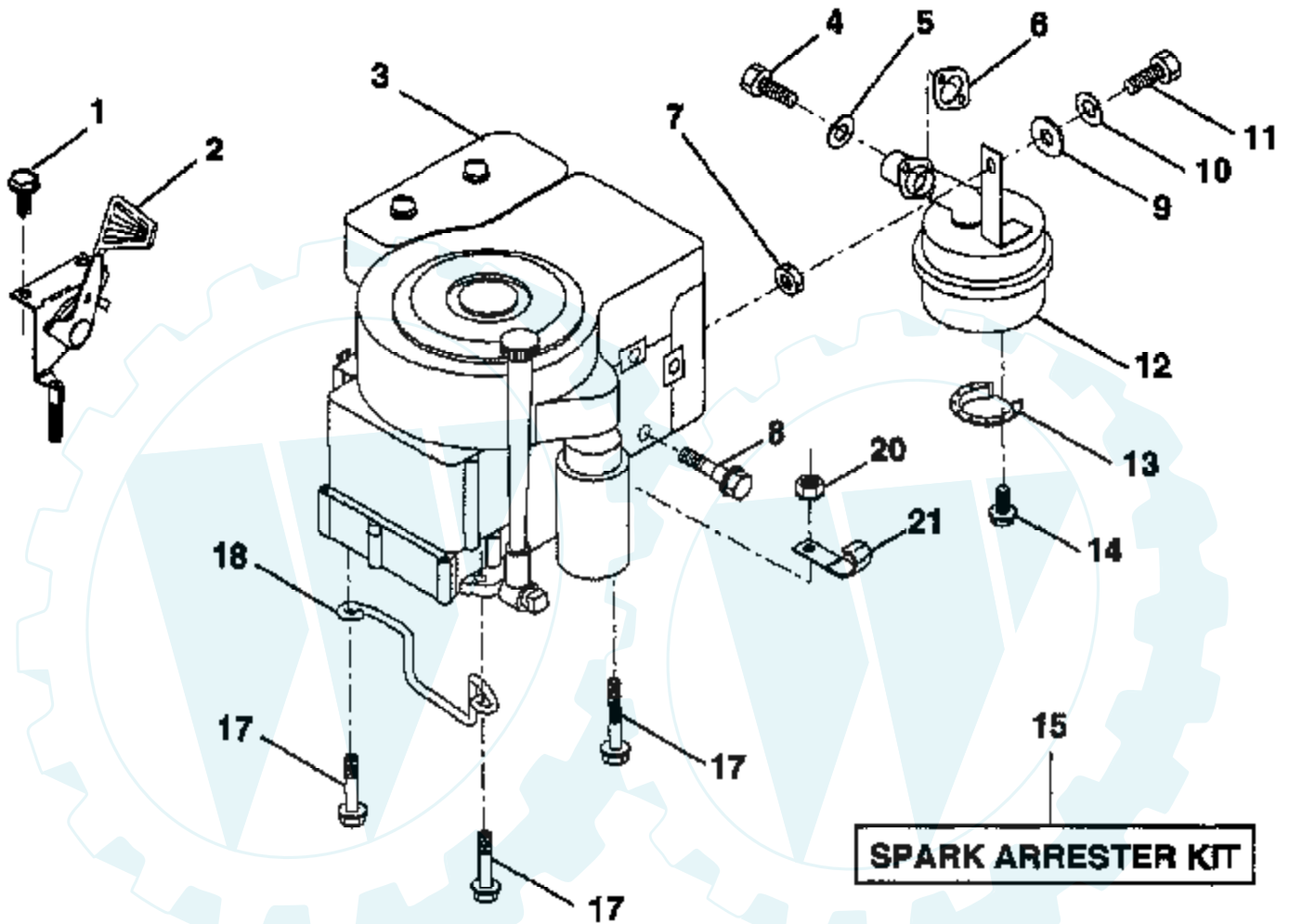
*Includes Brush Set
 **Includes #398003 Clutch Assembly (Ref. No. 813)
 #280104 Gear (Ref. No. 783)
 #490467 Retainer and Pin (Ref. No. 876)
 # 94288 Roll Pin (Ref. No. 895)

Ref #	Part Number	Qty	Description
1	490449		CYLINDER ASSEMBLY
2	399265		P/N CONFLICT - CHECK WITH SUPPLIER
3	391086		SEAL, OIL
5	494240		HEAD, CYLINDER
7	271866		GASKET, CYLINDER HEAD
8	391406		BREATHER ASSEMBLY
9	27803		GASKET, VALVE COVER
10	94621		SCREW, STEMS
11	280100		TUBE, BREATHER
12	271916		GASKET, CRANKCASE COVER 1/64"
	271997		GASKET, CRANKCASE COVER .005"
	271996		GASKET, CRANKCASE COVER .009"
13	93723		SCREW, CYLINDER HEAD 3"
15	94239		PLUG, OIL DRAIN
16	490466		CRANKSHAFT
	94196		KEY, TIMING GEAR
18	494238		BASE, ENGINE
20	291675		SEAL, OIL
22	94305		SCREW, SEMS, BASE MOUNTING
23	492326		FLYWHEEL & RING GEAR ASSY, MAGNETO
24	222698		KEY, FLYWHEEL
25	391285		PISTON ASSEMBLY, STANDARD
	391287		PISTON ASSEMBLY
	391288		PISTON ASSEMBLY
	391289		PISTON ASSEMBLY
26	391780		RING SET, PISTON, STANDARD
	392331		RING SET, PISTON, STANDARD SIZE
	391781		RING SET, PISTON .010" OVERSIZE
	391782		RING SET, PISTON .020" OVERSIZE
	391783		RING SET, PISTON .030" OVERSIZE
27	260924		LOCK, PISTON PIN
28	299691		PIN ASSEMBLY, PISTON, STANDARD
	391286		PIN ASSEMBLY, PISTON .005" OVER
29	490348		ROD ASSEMBLY, CONNECTING
	490469		ROD ASSEMBLY, CONNECTING .020" UNDERSIZE
			CRANKPIN
31	222299		LOCK, CONNECTING ROD SCREW
32	92909		SCREW, CONNECTING ROD
33	262246		VALVE, EXHAUST
34	262247		VALVE, INTAKE
35	65906		SPRING, INTAKE VALVE
36	26828		SPRING, EXHAUST VALVE
37	223752		GUARD, FLYWHEEL
40	221596		RETAINER, INTAKE VALVE
41	292260		RETAINER, EXHAUST VALVE
42	93630		RETAINER, EXHAUST VALVE ROTOCOIL(2)
45	262248		TAPPET-VALVE
46	212897		GEAR, CAM
51	272465		GASKET, CARBURETOR (CARBURETOR TO ELBOW)
52	270872		GASKET, CARBURETOR
53	94637		STUD, CARBURETOR MOUNTING
75	224061		WASHER, SPRING
78	93805		SCREW, SEMS
95	94098		SCREW, THROTTLE
98	494382		SCREW, IDLE SPEED
104	231789		PIN, FLOAT HINGE
105	231790		VALVE ASSEMBLY, INLET NEEDLE

Ref #	Part Number	Qty	Description
106	281169		INLET, VALVE SEAT
108	224540		VALVE, CHOKE
118	494383		VALVE, NEEDLE
121	494384		CARBURETOR OVERHAUL KIT
123	94616		SCREW, ELBOW MOUNTING
125	494502		CARBURETOR ASSEMBLY
127			REFER TO IMAGE
130	224539		VALVE, THROTTLE
131	494379		SHAFT & LEVER, THROTTLE
133	494381		FLOAT, CARBURETOR
137	281165		GASKET, FLOAT BOWL
138	281164		WASHER, FLOAT BOWL SCREW
141	494380		SHAFT AND LEVER, CHOKE
142	494537		NOZZLE/JET, CARBURETOR
	494499		HIGH ALTITUDE KIT
147	231794		PILOT, JET
164	213819		ELBOW, INTAKE
171	281051		P/N CONFLICT - CHECK WITH SUPPLIER
187	393815		HOSE (CUT TO SUIT)
188	93535		SCREW, HEX HEAD
201	262767		LINK, GOVERNOR
209	260871		SPRING, GOVERNOR
216	262766		LINK, CHOKE
219	490815		GOVERNOR GEAR
222	494887		PLATE, GOVERNOR CONTROL
224	94513		SCREW, SEMS, AIR CLEANER
225	231058		CRANK, GOVERNOR
227	493935		LEVER ASSY, GOVERNOR
230	222450		WASHER, GOVERNOR LEVER
232	262785		SPRING, GOVERNOR LINK
240	394358		FILTER, FUEL
265	221535		CLAMP
284	94419		SCREW, CLAMP MOUNTING
284A	94326		SCREW, AIR CLEANER
304	494269		HOUSING, BLOWER
305	94608		SCREW, SEMS
306	224545		SHIELD, CYLINDER
307	93949		SCREW, SEMS
308	491490		COVER, CYLINDER HEAD
309			REFER TO IMAGE
309	394805		MOTER AND DRIVE ASSY.
310	94003		BOLT
311	395538		BRUSH ASSEMBLY
332	92284		NUT, FLYWHEEL
333	492341		ARMATURE, MAGNETO
334	93381		SCREW, SEM, ARMATURE MOUNTING
337	802592		PLUG, SPARK
346	93705		SUB= 69485
356	494328		WIRE, GROUND
358	494241		GASKET SET
363	19203		PULLER, FLYWHEEL
383	89838		WRENCH SPARK PLUG
422	223721		CLAMP, OIL FILLER TUBE
423	94073		SCREW, HEX HEAD
445	493909		CARTRIDGE, AIR CLEANER
455	222561		CUP, SCREEN MOUNTING
467	493903		KNOB, AIR CLEANER
468	222562		SCREEN, FLUSH ROTATING

Ref #	Part Number	Qty	Description
474	393474		STATOR, ALTERNATOR, DUAL CIRCUIT
482	93621		SCREW, SEMS
510	490421		STARTER DRIVE GROUP
523	490327		CAP AND DIPSTICK, OIL FILLER
524	68838		SEAL, FILLER TUBE
525	280741		TUBE, OIL FILLER
537	281106		O-RING, AIR CLEANER
544	390837		ARRMATURE ASSEMBLY
552	231597		BUSHING, GOVERNOR CRANK, 1/4" I.D.
562	92613		BOLT, GOVERNOR LEVER
592	231082		NUT, HEX
601	93053		CLAMP, HOSE, GREEN
611	494451		FUEL INLET TUBE
614	93306		COTTER, HAIR PIN
615	93307		RETAINER, E-RING
618	262803		SPRING, CHOKE RETURN
634	281168		SEAL, CHOKE SHAFT
634A	491323		SEAL, GOVERNOR
634B	281167		WASHER, THROTTLE SHAFT
635	66538		ELBOW, SPARK PLUG
646	224546		BRACE, AIR CLEANER
657	93496		SCREW, SEMS
663	94620		SCREW, HEX HEAD
668	280848		SPACER
726	392134		GEAR, RING
727	490324		COVER, STARTER
728	94627		SCREW, SEMS 3/4"
729	281159		CLIP, LEAD WIRE
741	262135		GEAR, TIMING
757	212359		LINK, COUNTERWEIGHT
758	399891		COUNTERWEIGHT ASSY
759	298909		PIN ASSY, PISTON, STD
761	93875		SCREW, COUTENWEIGHT
801	394856		CAP, DRIVE
802	395537		END CAP ASSY. COMMUTATOR
803	398159		HOUSING ASSEMBLY
842	270920		SEAL, OIL FILLER CAP
847	490474		FILL GROUP, OIL
851	221798		TERMINAL, IGNITION CABLE
869	261463		SEAT, INTAKE VALVE, STANDARD
870	213316		SEAT, EXHAUST VALVE, STANDARD
871	261961		GUIDE, EXHAUST VALVE
	231218		GUIDE, INTAKE VALVE
872	281104		COVER, AIR CLEANER
875	494237		BODY, AIR CLEANER
877	393456		DIODE & CONNECTOR ASSY
955	94642		SCREW, FUEL BOWL
965	94108		LOCKNUT, AIR CLEANER MOUNTING
975	494378		BOWL ASSEMBLY, CARBURETOR
977	494385		CARBURETOR GASKET KIT
987	281166		SEAL, THROTTLE SHAFT
1005	280687		FAN, FLYWHEEL
1006	224413		RETAINER, FAN
1020	262243		ECCENTRIC
1021	94160		PIN, ECCENTRIC

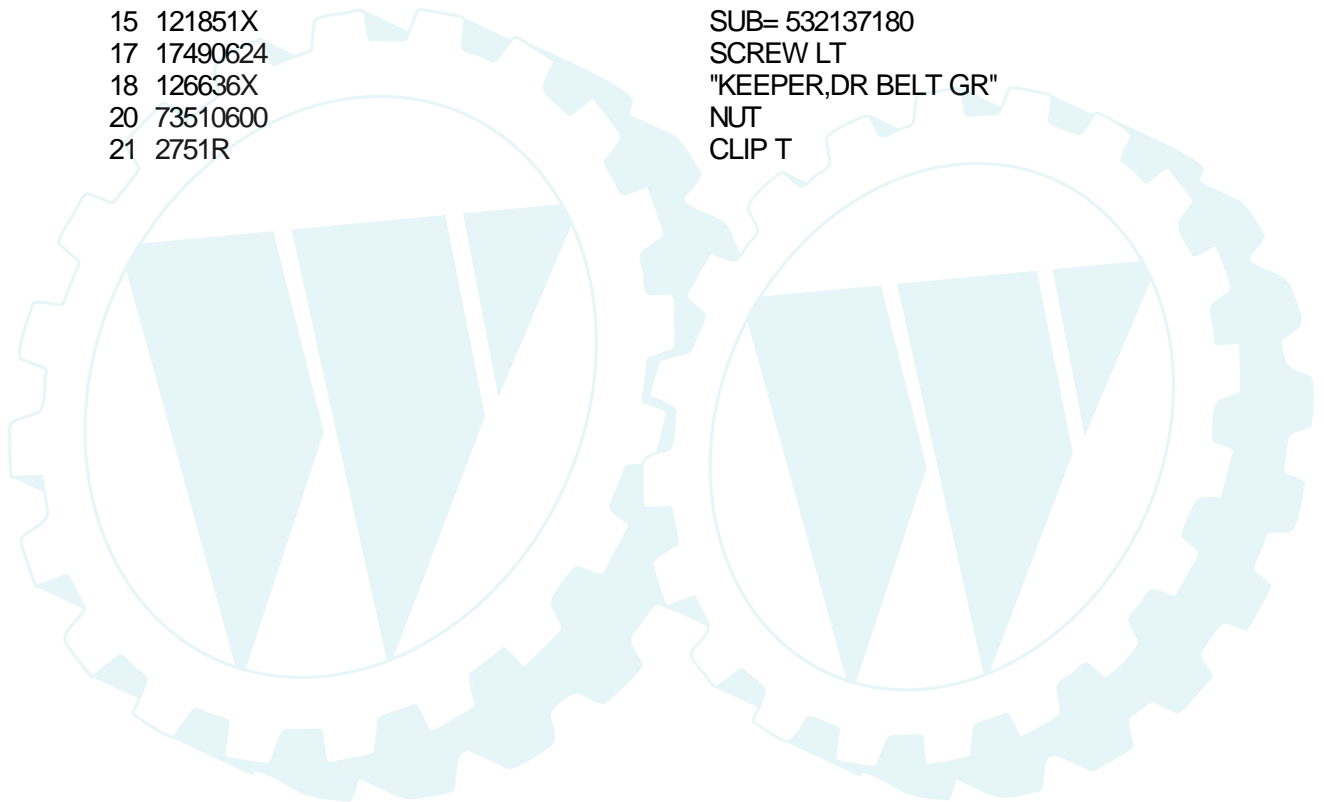
12 HP 36" TRACTOR - - MODEL NUMBER AYP9120A29 ENGINE / THROTTLE



NOTE: All component dimensions given in U.S. Inches
1 Inch = 25.4 mm

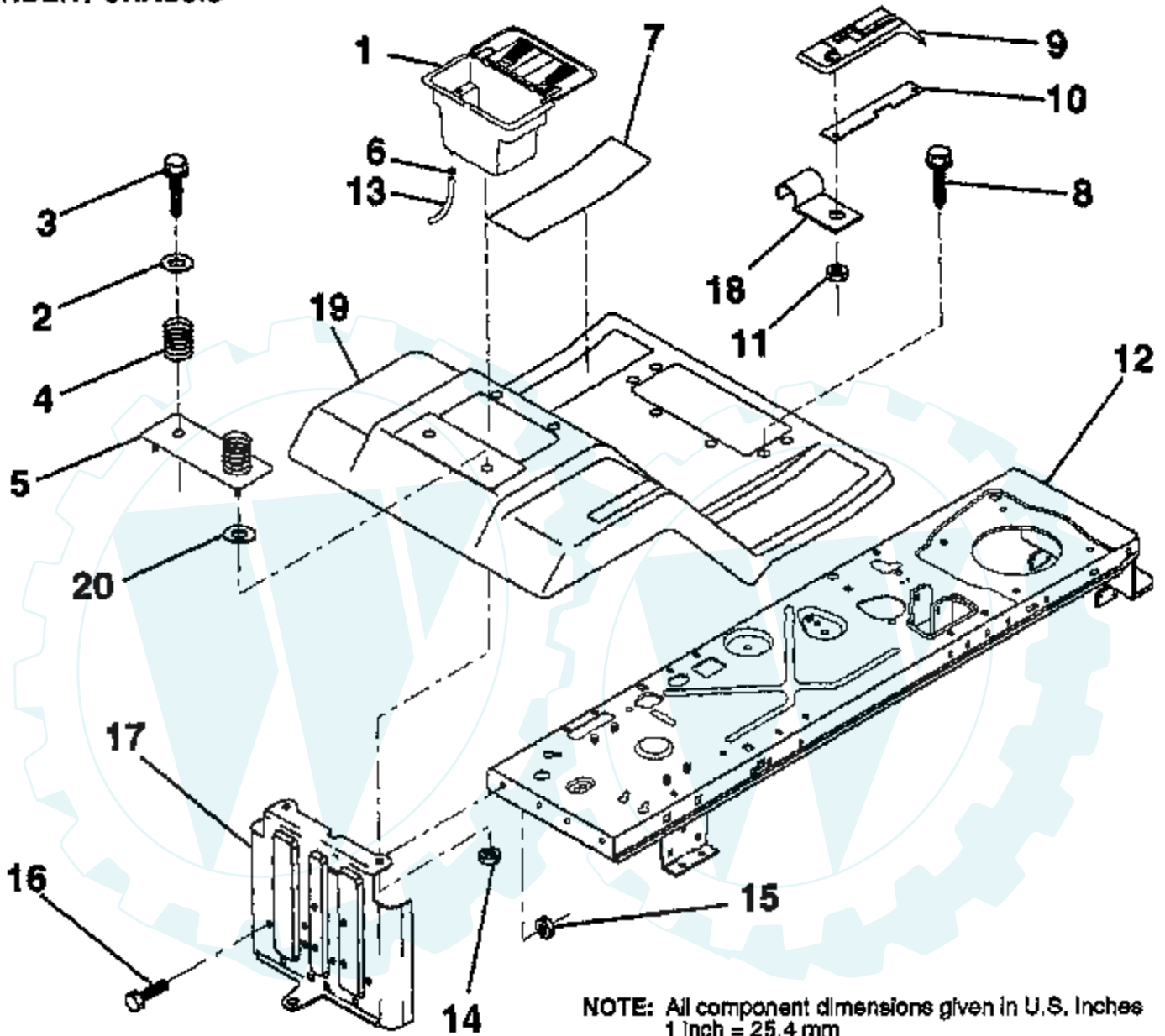
HARDWARE SHOWN LARGER FOR EASIER IDENTIFICATION

Ref #	Part Number	Qty	Description
1	17720408		SCREW
2	132521		THROTTLE CONTROL
3			REFER TO IMAGE
4	71070512		SCREW
5	10040500		LOCKWASHER
6	125593X		SUB= 272293
7	73220500		NUT.HEX.5/16-18
8	81328		SHOULDER BOLT ST
9	191012216		SUB= 19101216
10	10040400		LOCKWASHER
11	74780416		NLA
12	124097X		MUFFLER
13	101326L		DEFLECTOR.222573
14	17030808		SUB= 17030814
15	121851X		SUB= 532137180
17	17490624		SCREW LT
18	126636X		"KEEPER,DR BELT GR"
20	73510600		NUT
21	2751R		CLIP T



12 HP 36" TRACTOR -- MODEL NUMBER AYP9120A29

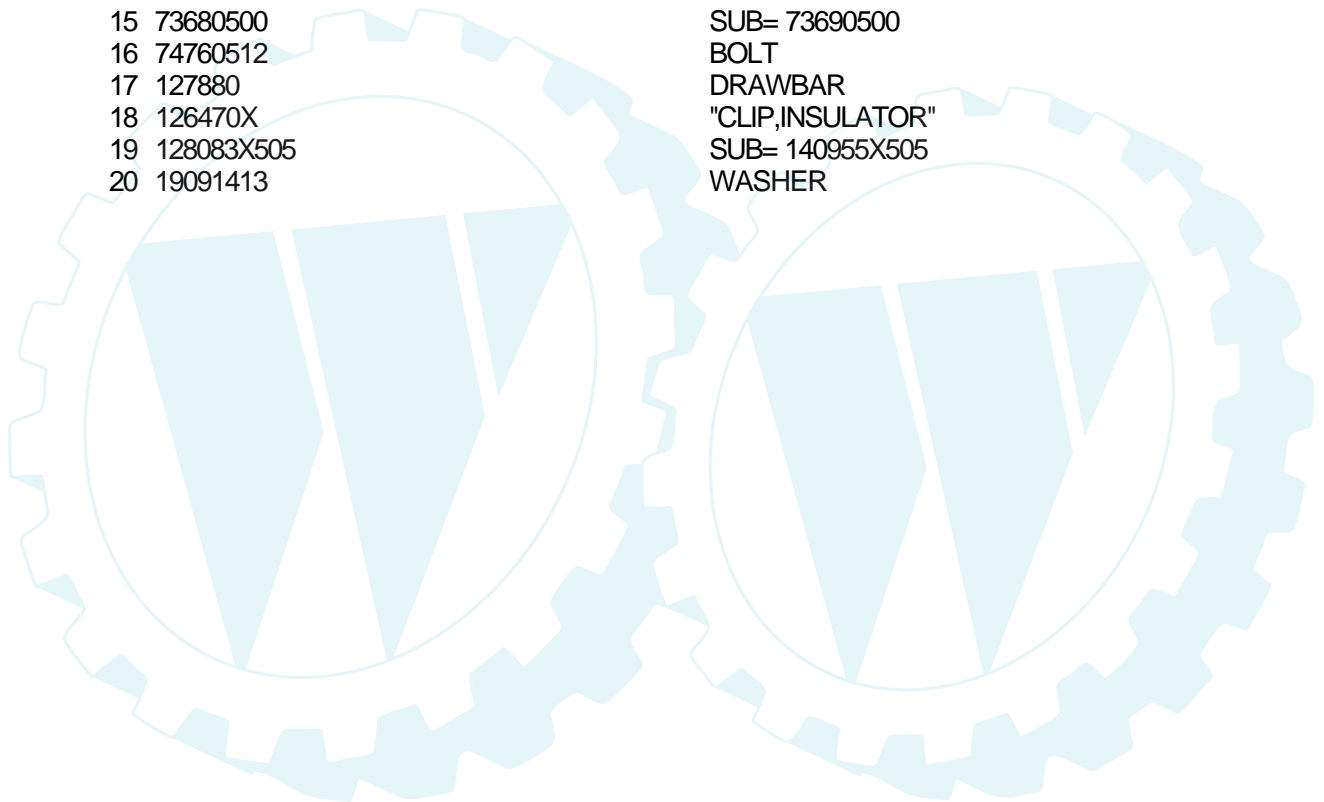
FENDER / CHASSIS



NOTE: All component dimensions given in U.S. Inches
1 Inch = 25.4 mm

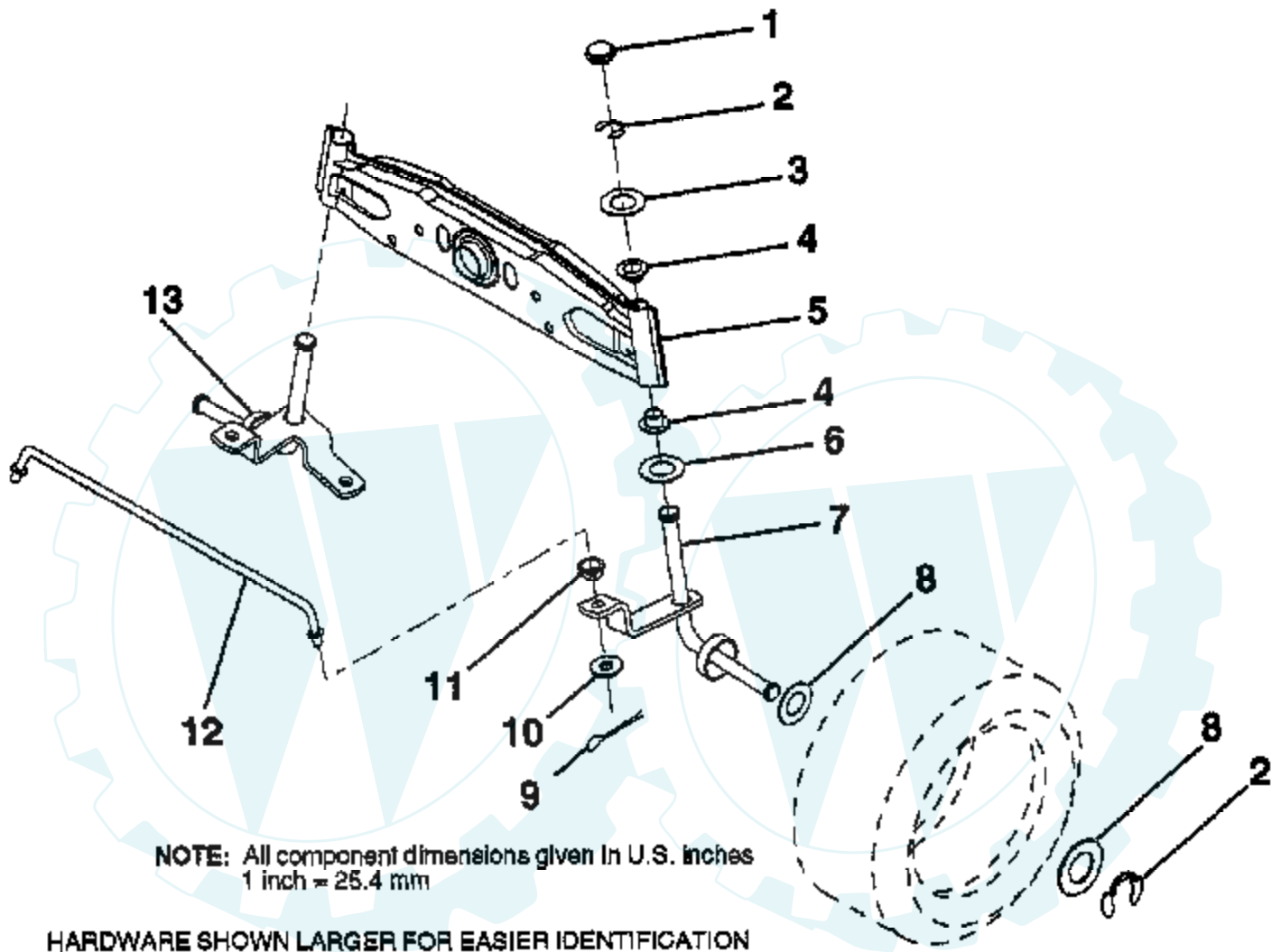
HARDWARE SHOWN LARGER FOR EASIER IDENTIFICATION

Ref #	Part Number	Qty	Description
1	129965		SUB= 156417
2	19132012		WASHER
3	17490612		SCREW
4	124181X		SPRING COMPRESSIO
5	127115X505		BTRY FENDER PLATE
6	109596X		HOSE CLAMP T
7	124144X		PAD FOOTREST
8	17490512		SCREW
9	126993X		CONSOLE SHFT 4SP
10	124602X		SUB= 139783
11	124346X		NUT
12	133384		SUB= 139893
13	105687X		SUB= 109238X
14	73510400		NUT
15	73680500		SUB= 73690500
16	74760512		BOLT
17	127880		DRAWBAR
18	126470X		"CLIP,INSULATOR"
19	128083X505		SUB= 140955X505
20	19091413		WASHER



12 HP 36" TRACTOR - - MODEL NUMBER AYP9120A29

FRONT AXLE

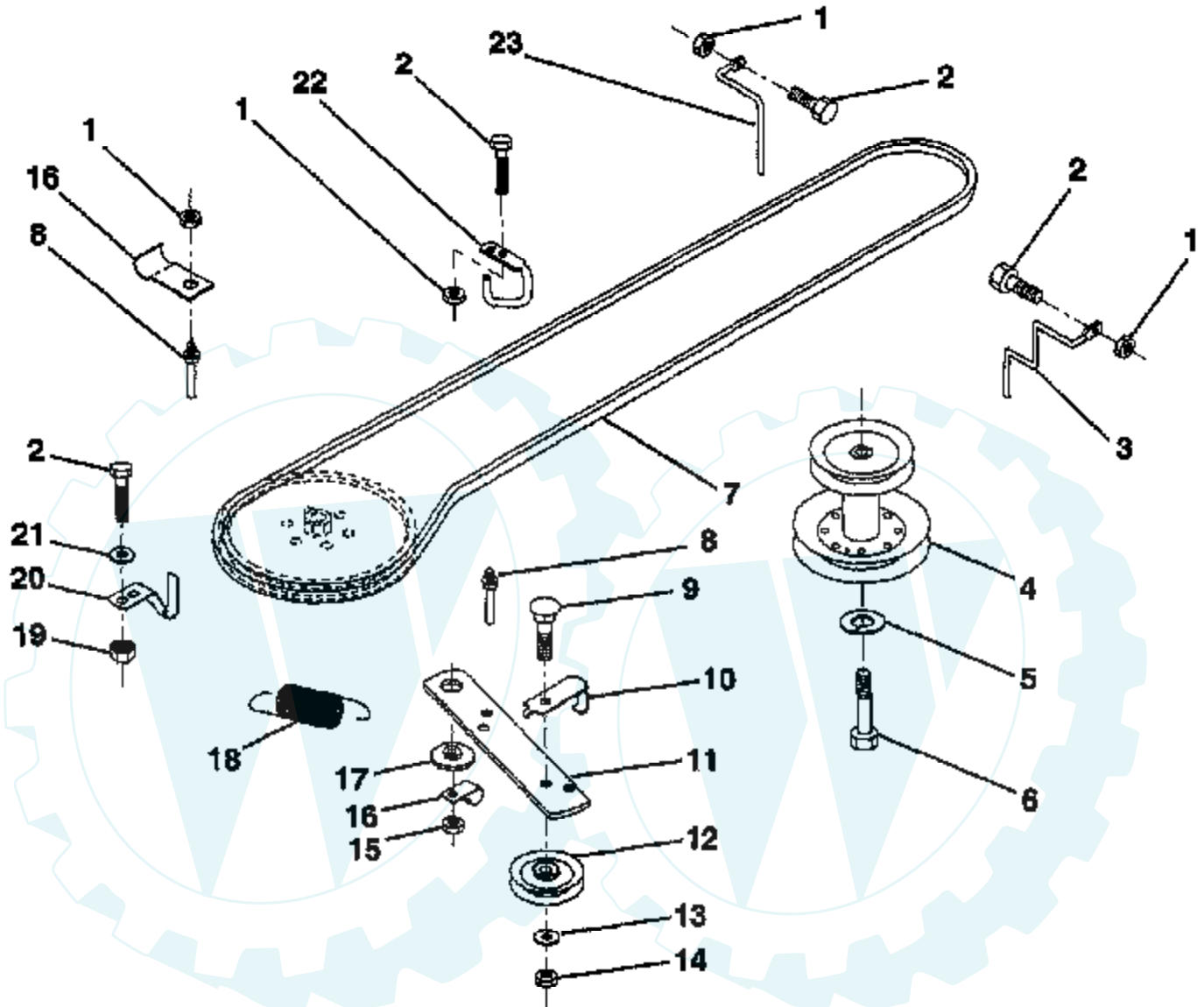


Ref #	Part Number	Qty	Description
1	121232X		CAP
2	12000029		RING
3	121748X		WASHER
4	121922X		NYLINER
5	121914X		AXLE FRONT
6	6266H		WASHER .T
7	121919X		SPINDLE RH
8	121749X		WASHER
9	76020412		COTTER PIN
10	19131316		WASHER
11	126847X		BUSHING.DRAGLINK
12	121924X		ROD TIE
13	121916X		SPINDLE LH



12 HP 36" TRACTOR - - MODEL NUMBER AYP9120A29

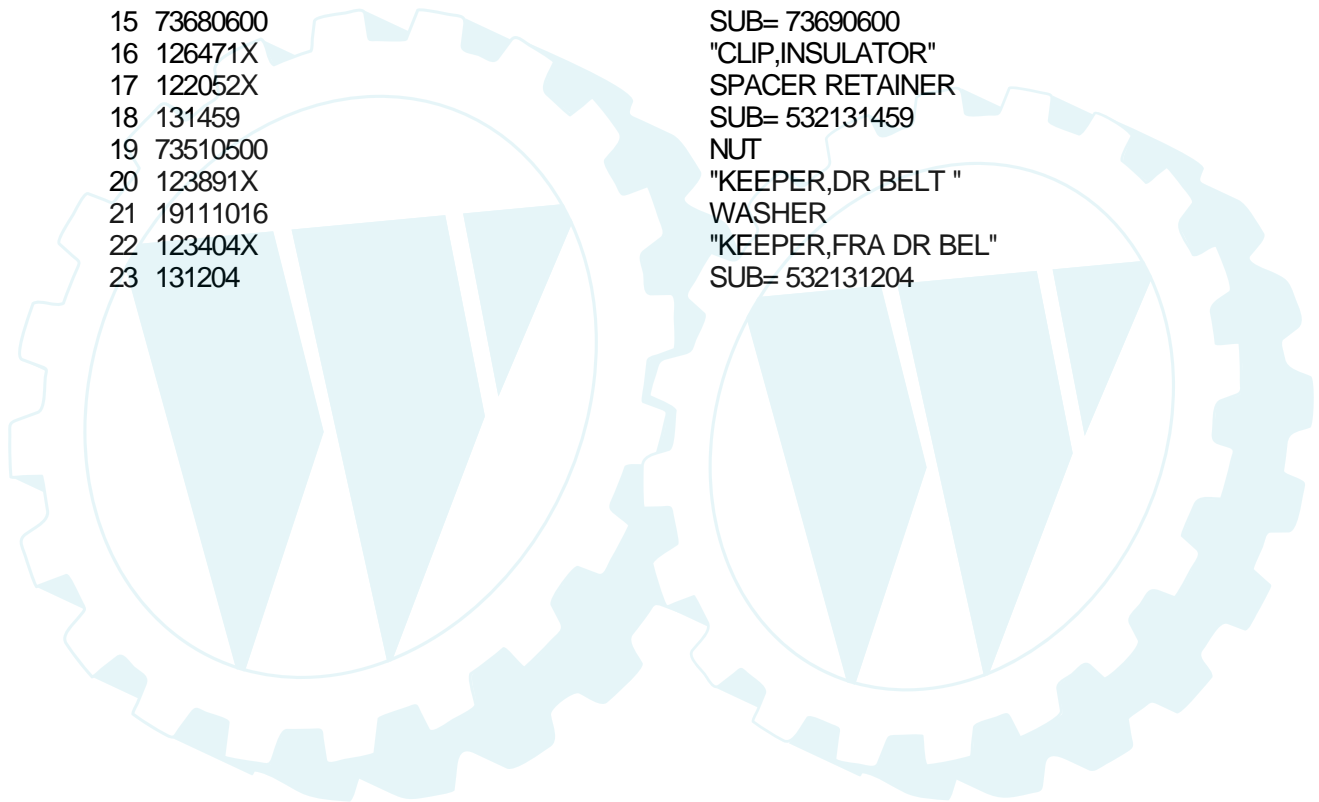
GROUND DRIVE



NOTE: All component dimensions given in U.S. Inches
1 inch = 25.4 mm

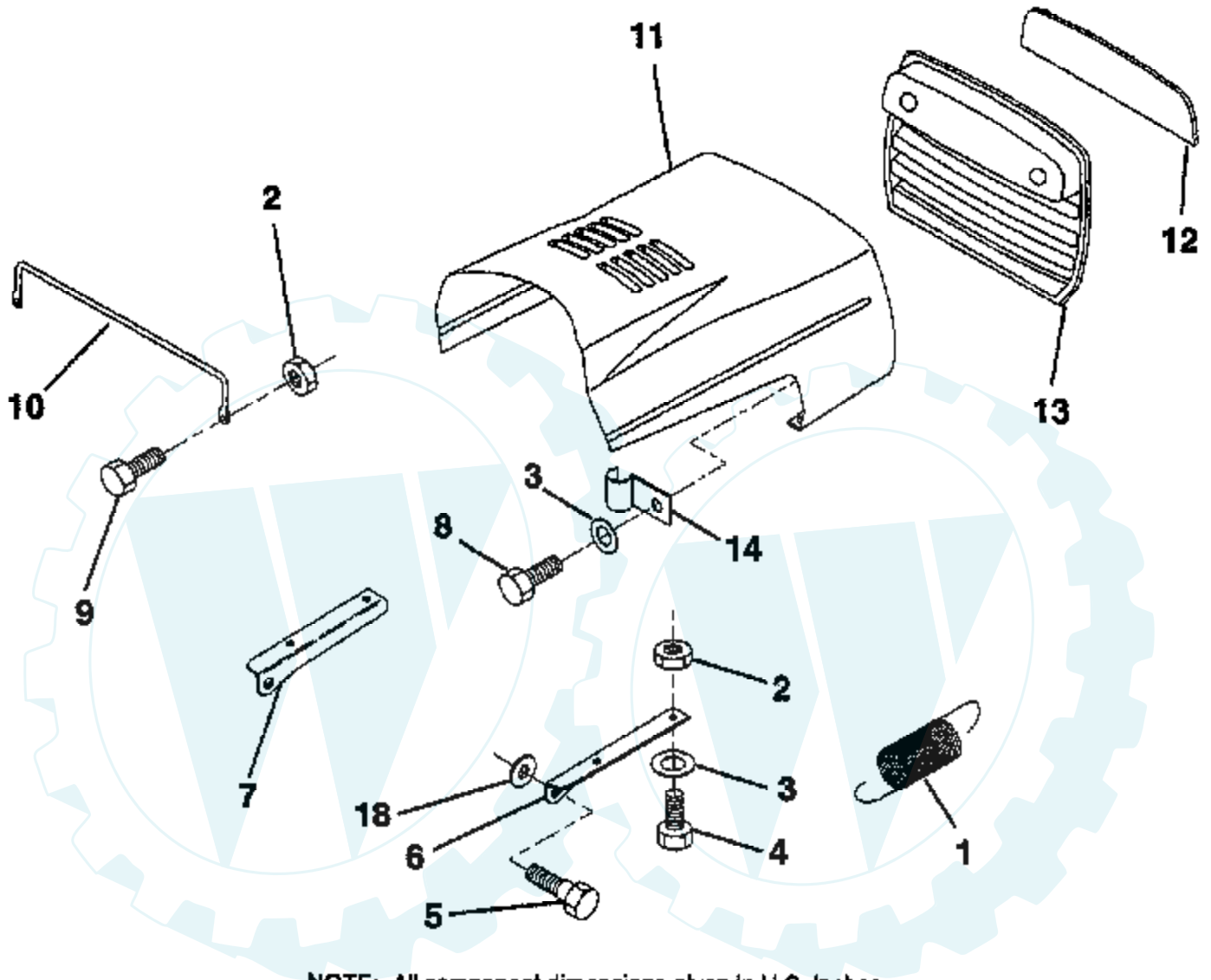
HARDWARE SHOWN LARGER FOR EASIER IDENTIFICATION

Ref #	Part Number	Qty	Description
1	73680500		SUB= 73690500
2	74760512		BOLT
3	131205		SUB= 532131205
4	134828		SUB= 138029
5	10040700		LOCKWASHER
6	71170744		HEX BOLT
7	124525X		BELT
8	123405X		"KEEPER,DRIVE BELT"
9	72140612		BOLT
10	123396X		"KEEP,IDLER DR BEL "
11	123395X		SUB= 140911
12	4859J		SUB= 123674X
13	19131316		WASHER
14	73930600		LOCKNUT
15	73680600		SUB= 73690600
16	126471X		"CLIP,INSULATOR"
17	122052X		SPACER RETAINER
18	131459		SUB= 532131459
19	73510500		NUT
20	123891X		"KEEPER,DR BELT "
21	19111016		WASHER
22	123404X		"KEEPER,FRA DR BEL "
23	131204		SUB= 532131204



12 HP 36" TRACTOR - - MODEL NUMBER AYP9120A29

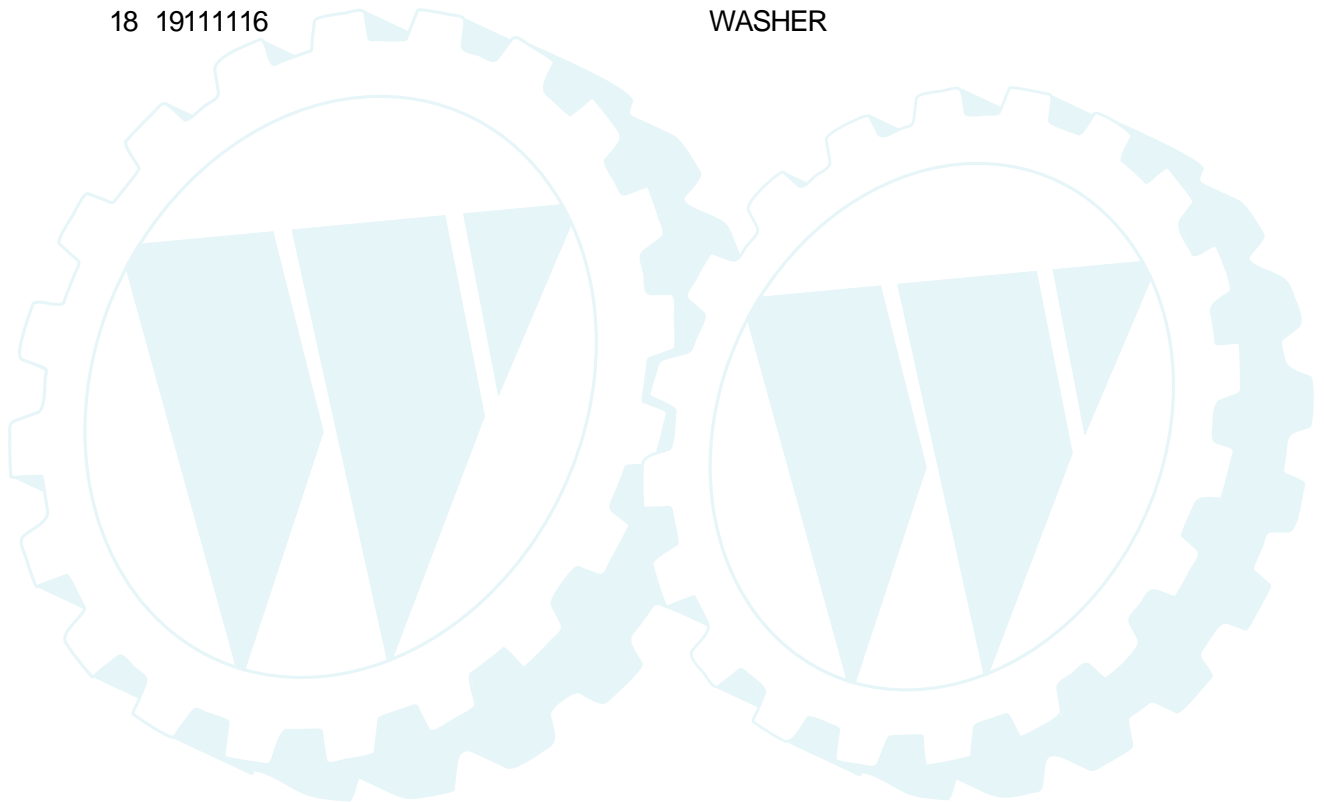
HOOD



NOTE: All component dimensions given in U.S. Inches
1 inch = 25.4 mm

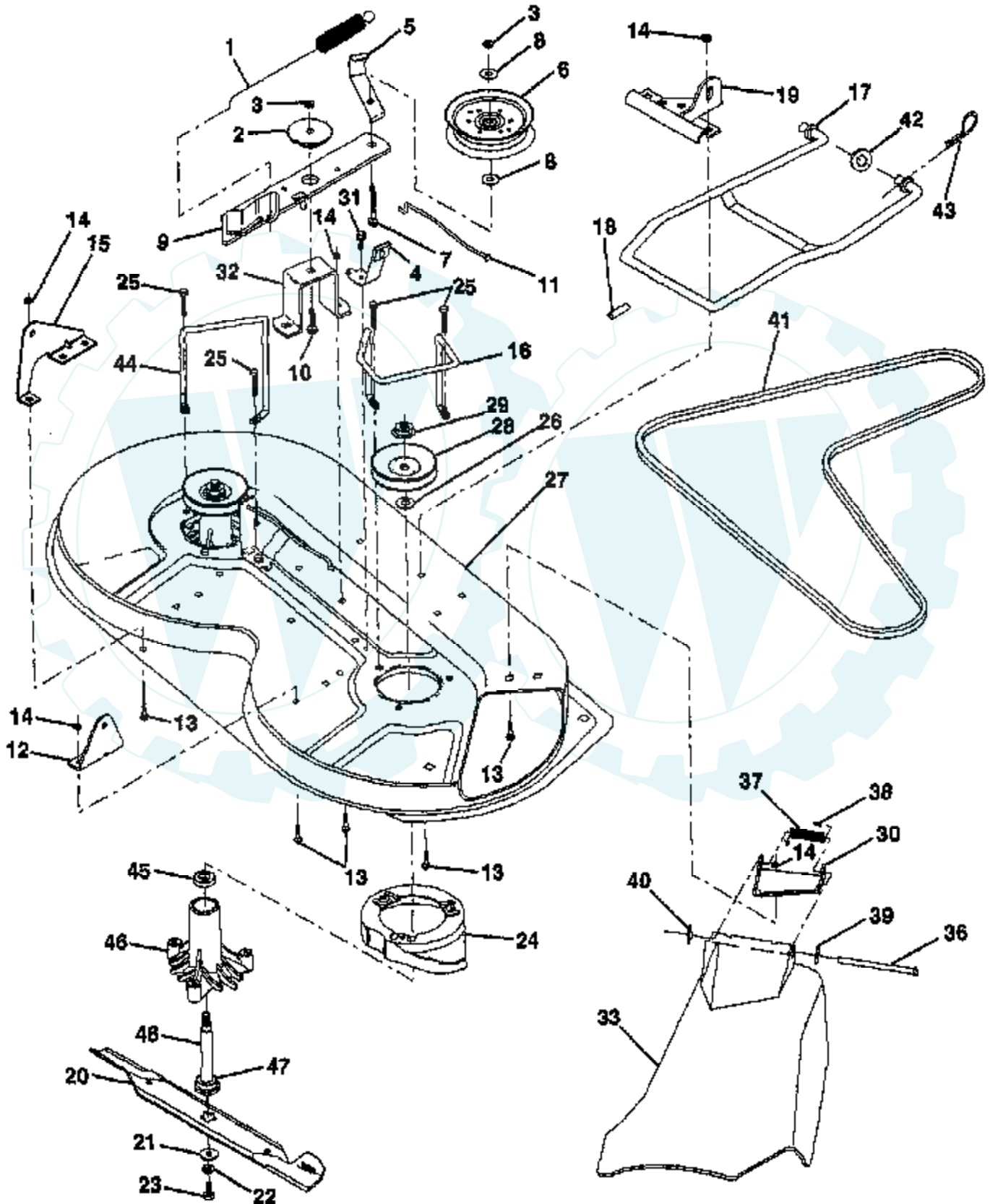
HARDWARE SHOWN LARGER FOR EASIER IDENTIFICATION

Ref #	Part Number	Qty	Description
1	124657X		EXT SPRING
2	73510400		NUT
3	19091016		WASHER
4	74780410		BOLT
5	126675X		SUB= 139888
6	122549X		BRKT HOOD RH
7	122548X		BRKT HOOD LH
8	17411310		SUB= 17521312
9	74780412		SUB= 74780414
10	123693X		"BRACE,HOOD"
11	132918X505		HOOD
12	122035X		LENS
13	127029X		GRILL
14	2751R		CLIP T
18	19111116		WASHER



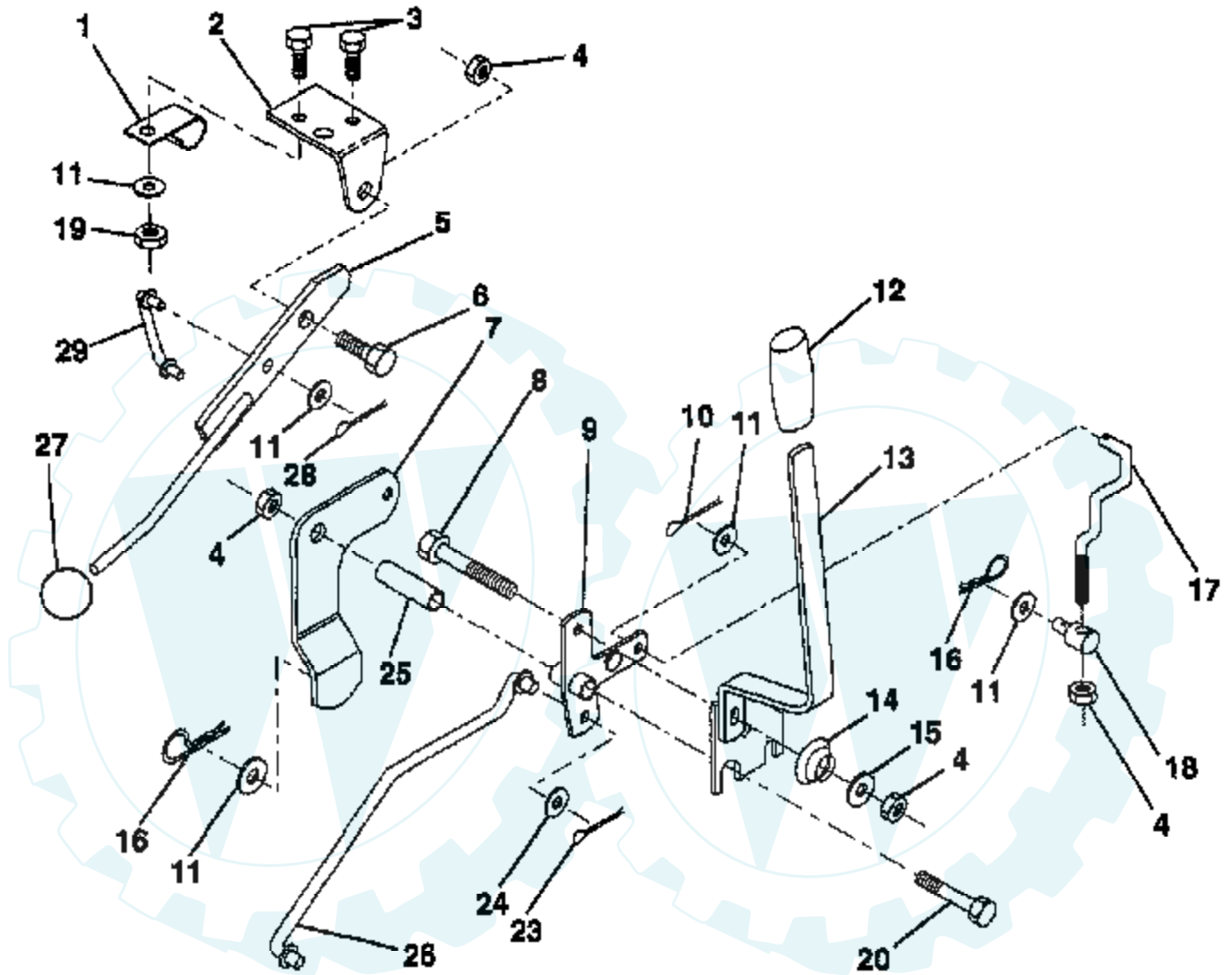
12 HP 36" TRACTOR - - MODEL NUMBER AYP9120A29

MOWER DECK



Ref #	Part Number	Qty	Description
1	127743		SUB= 140064
2	122052X		SPACER RETAINER
3	73680600		SUB= 73690600
4	130840		BRAKE ASM
5	131251		IDLER BELT GUIDE
6	123688X		SUB= 121316X
7	72110616		BOLT
8	19131410		WASHER
9	127744		SUB= 140092
10	72110608		BOLT D
11	130841		BRAKE ROD
12	127356		"BRKT,LIFT REAR"
13	72140505		BOLT
14	73680500		SUB= 73690500
15	127357		"BRKT,LIFT REAR LH"
16	130837		SUB= 153298
17	128508		MOWER LINK STAB
18	128511		"PIN,GROOVE"
19	127380		"BRKT,LINK STABILI"
20	127841		SUB= 138496
21	129962		WASHER BLADE
22	10030600		SUB= 10040600
23	850857		BLADE BOLT
24	128961		SUB= 140329
25	78158		SUB= 17580520
26	129963		WASHER
27	129983		SUB= 156600
28	129207		SUB= 153531
29	73050900		SUB= 139729
30	126361X		SUB= 532136631
31	17490508		SCREW LT
32	122051X		"SUPT,IDLER ARM"
33	131560		SUB= 532131560
36	121980X		HINGE ROD
37	123713X		SPRING TORSION
38	105304X		CAP-SLEEVE LT
39	19111016		WASHER
40	110452X		NUT PUSH M
41	131264		V-BELT.PRIM.78.5.
42	19171616		WASHER
43	3146R		RETAINER.SPRING
44	130836		SUB= 140608
45	110485X		BEARING
46	128774		HSG ASM MANDREL
47	129895		BEARING.BALL
48	133172		SUB= 137646
	130794		MANDREL ASM
	136317		SUB= 140979

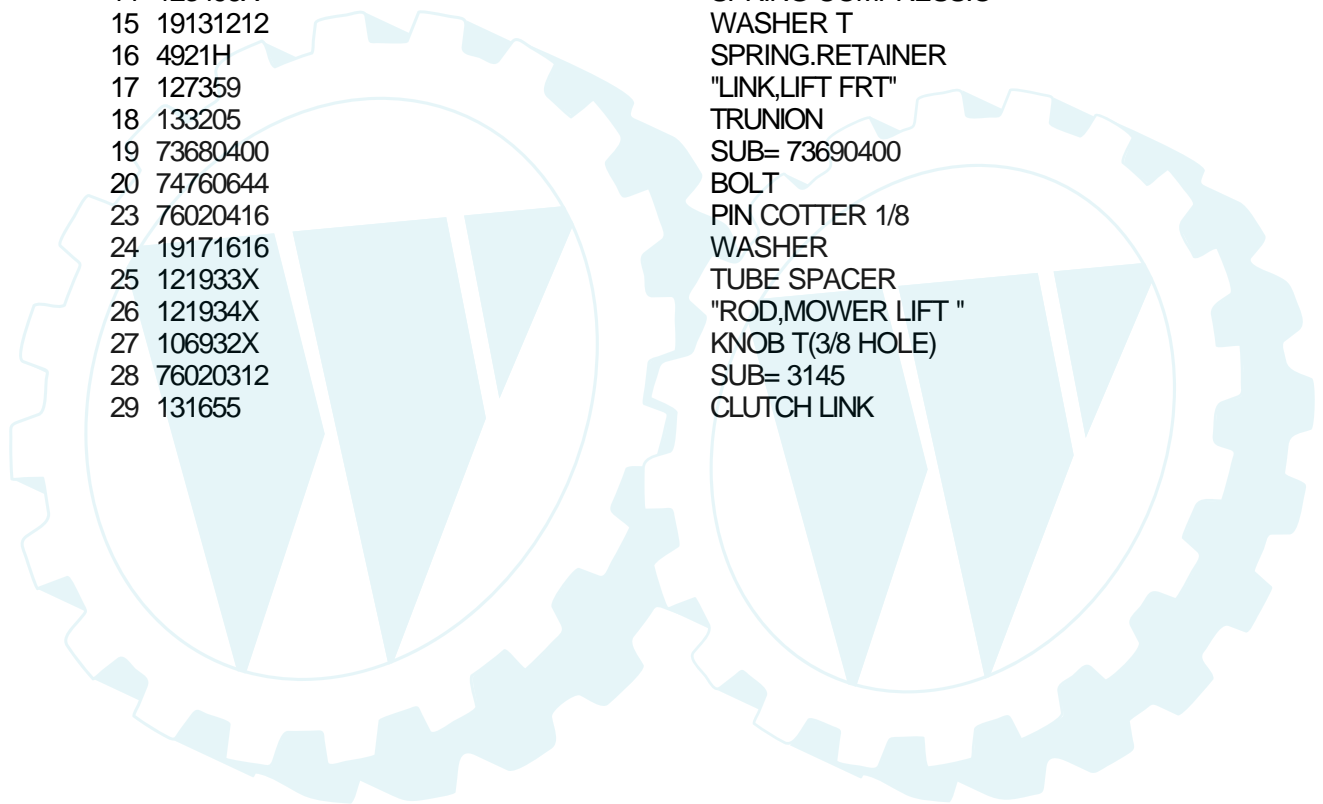
12 HP 36" TRACTOR -- MODEL NUMBER AYP9120A29 MOWER LIFT LEVER



NOTE: All component dimensions given in U.S. Inches
1 Inch = 25.4 mm

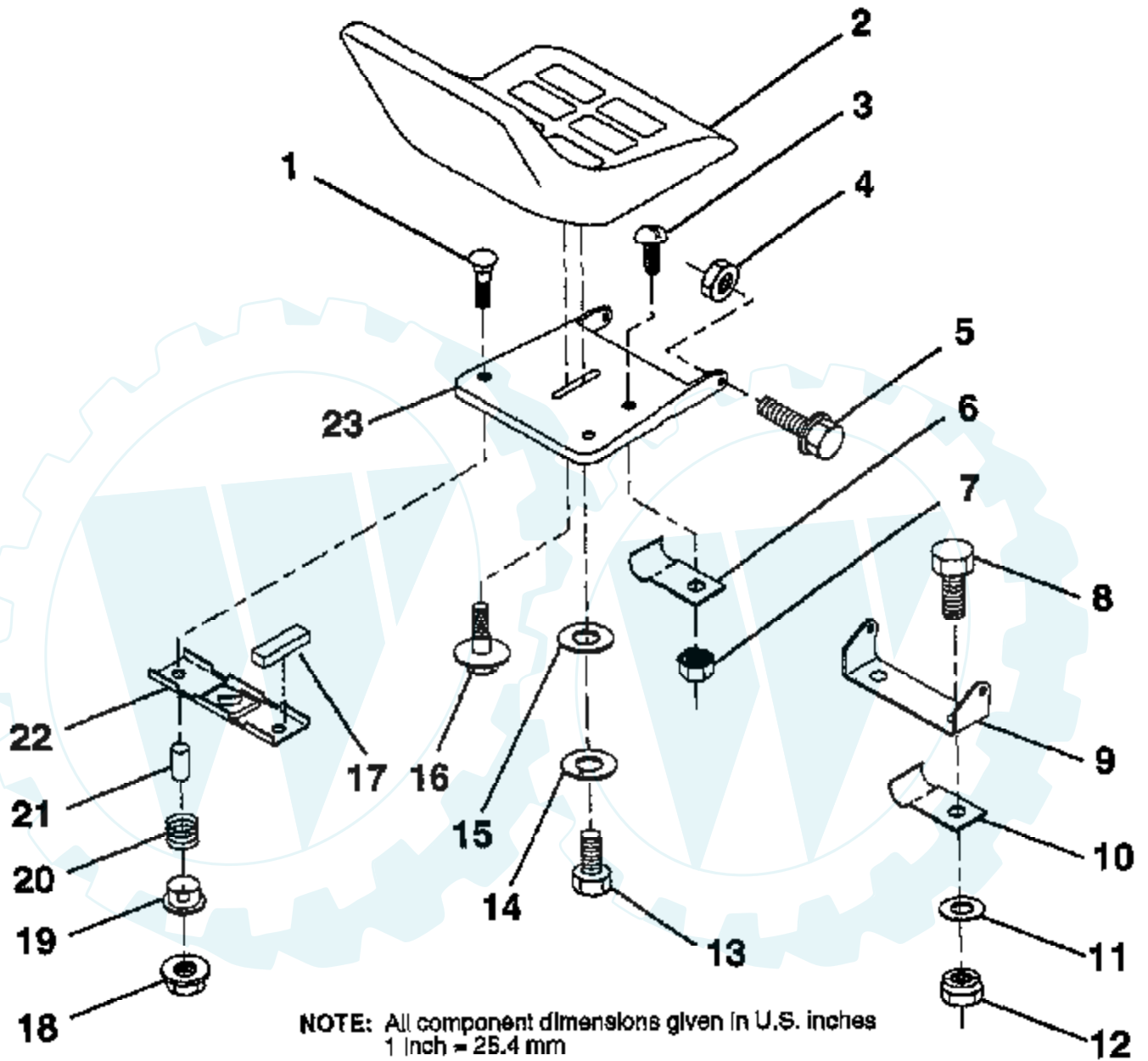
HARDWARE SHOWN LARGER FOR EASIER IDENTIFICATION

Ref #	Part Number	Qty	Description
1	126470X		"CLIP,INSULATOR"
2	122018X		BRKT CLUTCH
3	74780408		BOLT
4	73680600		SUB= 73690600
5	123417X		CLUTCH LEVER AS
6	106451X		"BOLT, SHOULDER LT"
7	135371		MWR CLUTCH ARM AS
8	74760644		BOLT
9	121930X		"BELLCRANK,LIFT"
10	76020412		COTTER PIN
11	19131316		WASHER
12	131861		SUB= 532131861
13	127028		"HDLE,LIFT T"
14	123496X		SPRING COMPRESSIO
15	19131212		WASHER T
16	4921H		SPRING.RETAINER
17	127359		"LINK,LIFT FRT"
18	133205		TRUNION
19	73680400		SUB= 73690400
20	74760644		BOLT
23	76020416		PIN COTTER 1/8
24	19171616		WASHER
25	121933X		TUBE SPACER
26	121934X		"ROD,MOWER LIFT "
27	106932X		KNOB T(3/8 HOLE)
28	76020312		SUB= 3145
29	131655		CLUTCH LINK



12 HP 36" TRACTOR - - MODEL NUMBER AYP9120A29

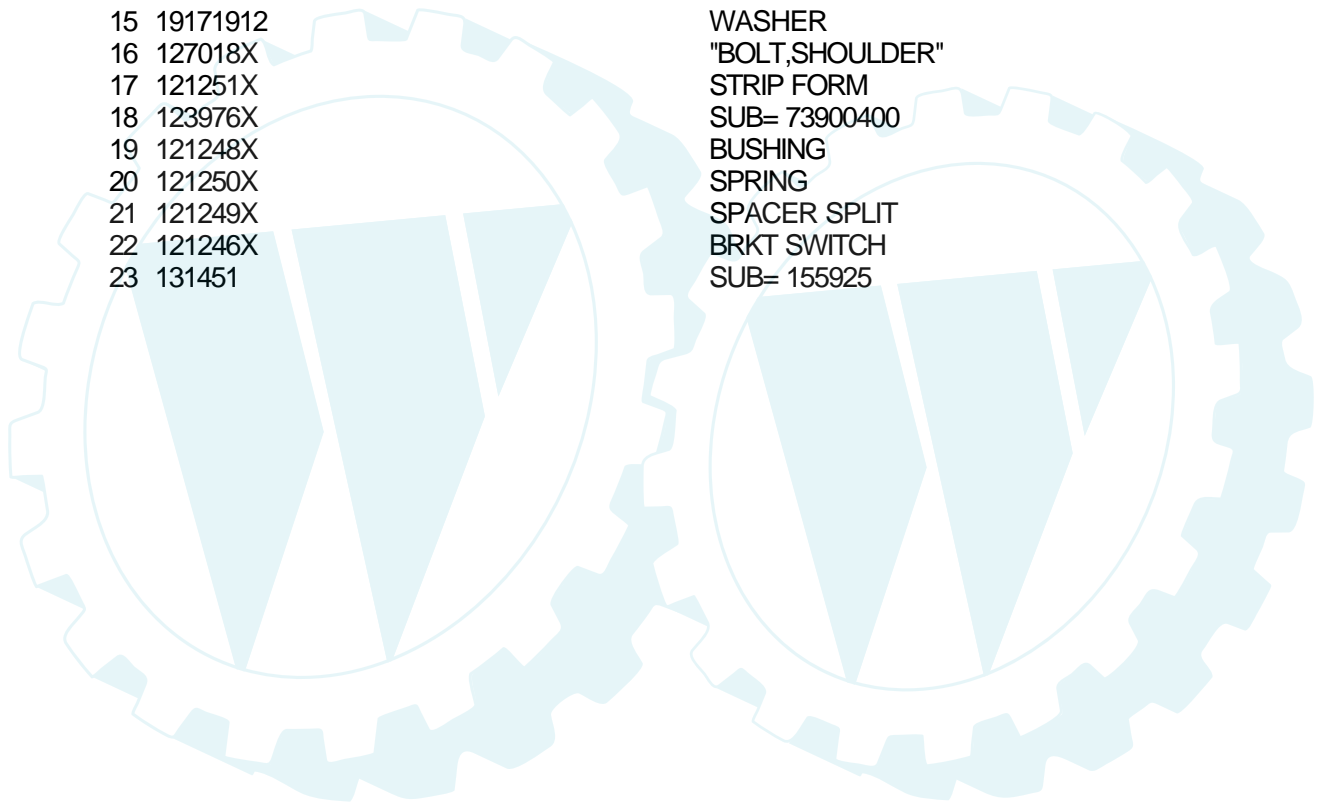
SEAT



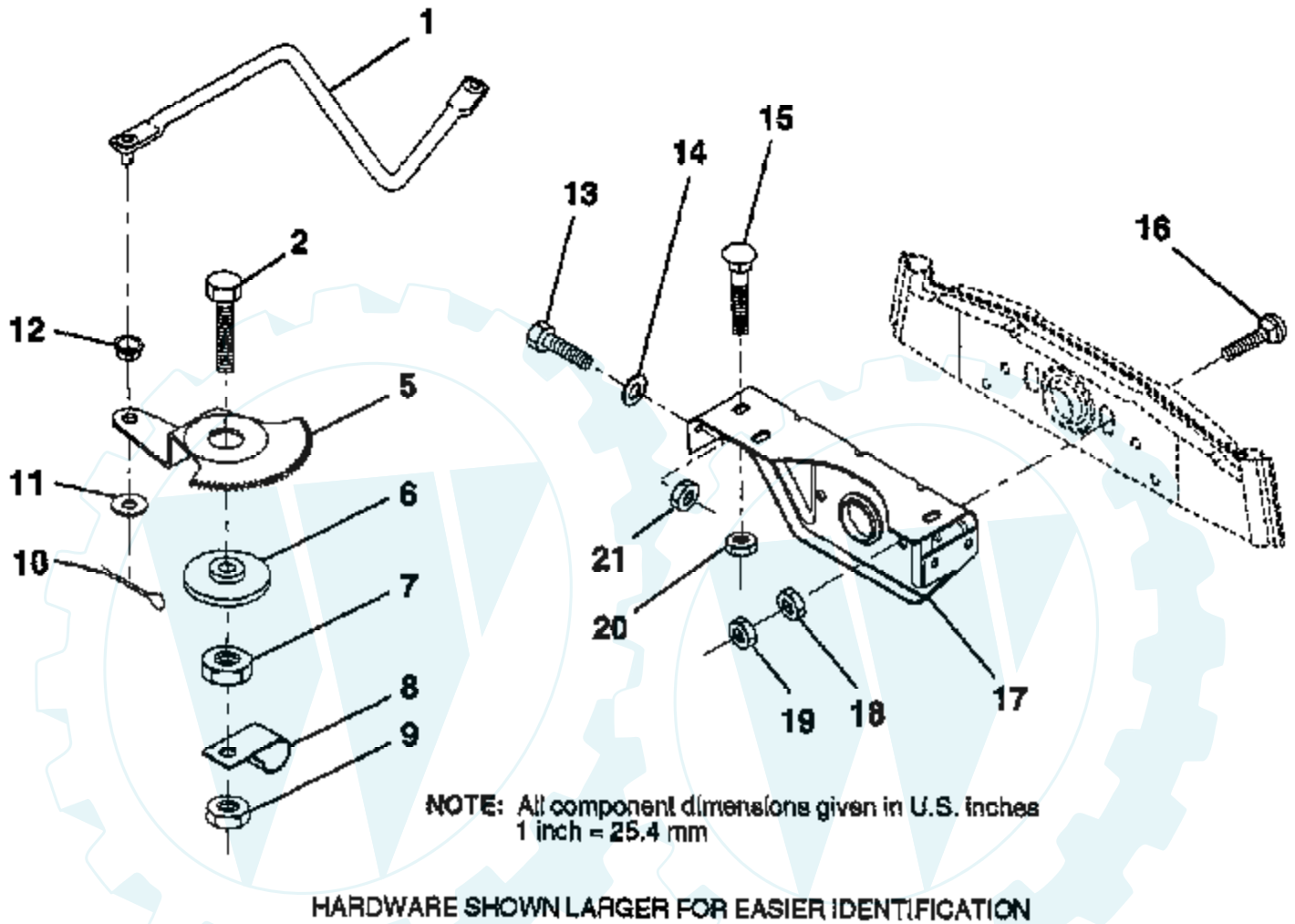
NOTE: All component dimensions given in U.S. inches
1 inch = 25.4 mm

HARDWARE SHOWN LARGER FOR EASIER IDENTIFICATION

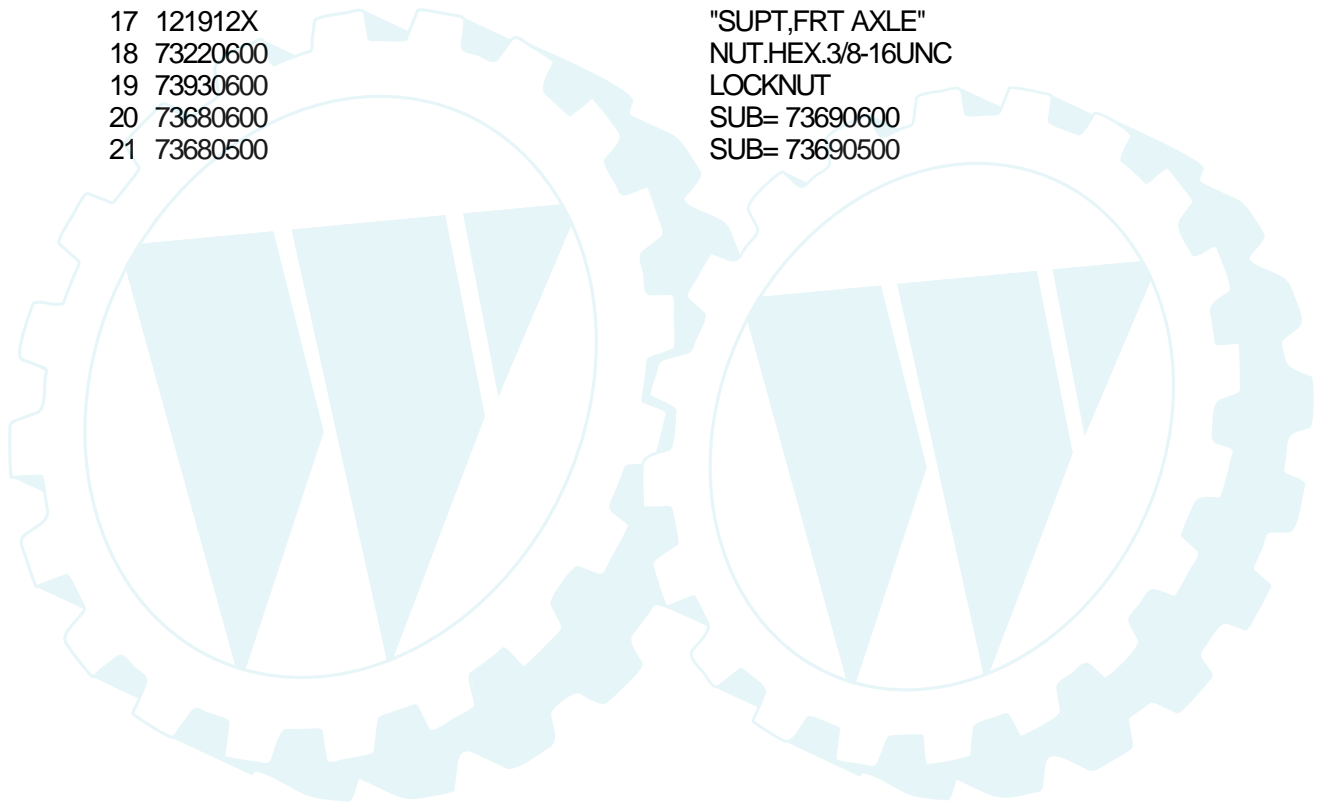
Ref #	Part Number	Qty	Description
1	72050411		SUB= 872050411
2	134647		SUB= 140119
3	74641008		SUB= 71031008
4	73680500		SUB= 73690500
5	105529X		SUB= 139888
6	4171R		CLIP T
7	73951000		"NUT,KEPS"
8	74760612		SUB= 74780612
9	126656X		SUB= 140551
10	126471X		"CLIP,INSULATOR"
11	19133210		WASHER
12	76380600		NUT, CROWNLOCK
13	74780814		BOLT
14	10040800		LOCKWASHER
15	19171912		WASHER
16	127018X		"BOLT,SHOULDER"
17	121251X		STRIP FORM
18	123976X		SUB= 73900400
19	121248X		BUSHING
20	121250X		SPRING
21	121249X		SPACER SPLIT
22	121246X		BRKT SWITCH
23	131451		SUB= 155925



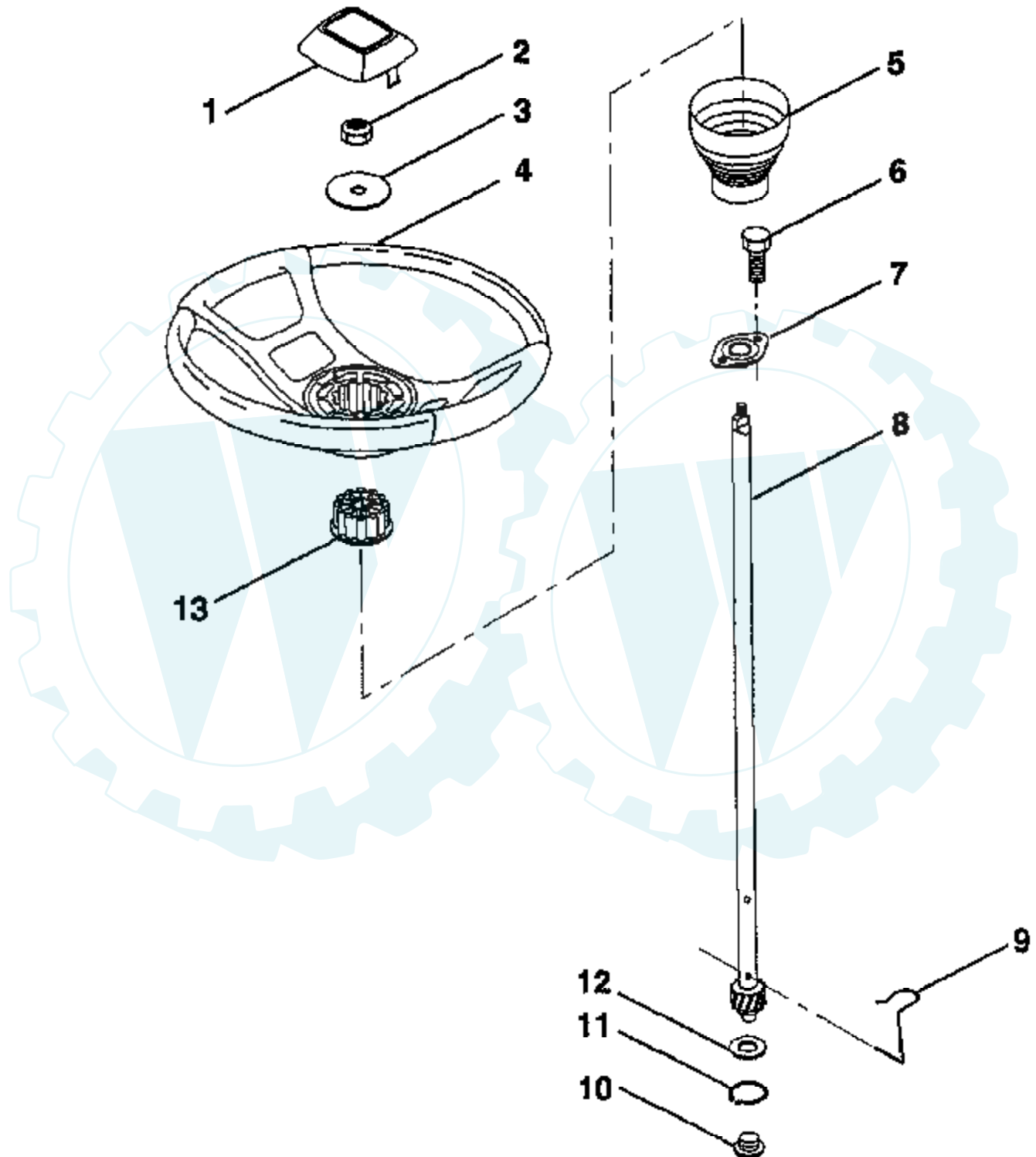
12 HP 36" TRACTOR - - MODEL NUMBER AYP9120A29 SECTOR GEAR / AXLE SUPPORT



Ref #	Part Number	Qty	Description
1	132566		DRAG LINK
2	74780828		"BOLT,HEX"
5	121926X		GEAR SECTOR
6	121927X		BUSHING
7	73030800		NUT
8	126472X		CLIP INSULATOR
9	73680800		NUT LTV
10	76020412		COTTER PIN
11	19131316		WASHER
12	126847X		BUSHING.DRAGLINK
13	74760512		BOLT
14	19111416		WASHER
15	72110606		BOLT
16	72140622		BOLT
17	121912X		"SUPT,FRT AXLE"
18	73220600		NUT.HEX.3/8-16UNC
19	73930600		LOCKNUT
20	73680600		SUB= 73690600
21	73680500		SUB= 73690500



12 HP 36" TRACTOR - - MODEL NUMBER AYP9120A29 STEERING WHEEL



NOTE: All component dimensions given in U.S. inches
1 inch = 25.4 mm

HARDWARE SHOWN LARGER FOR EASIER IDENTIFICATION

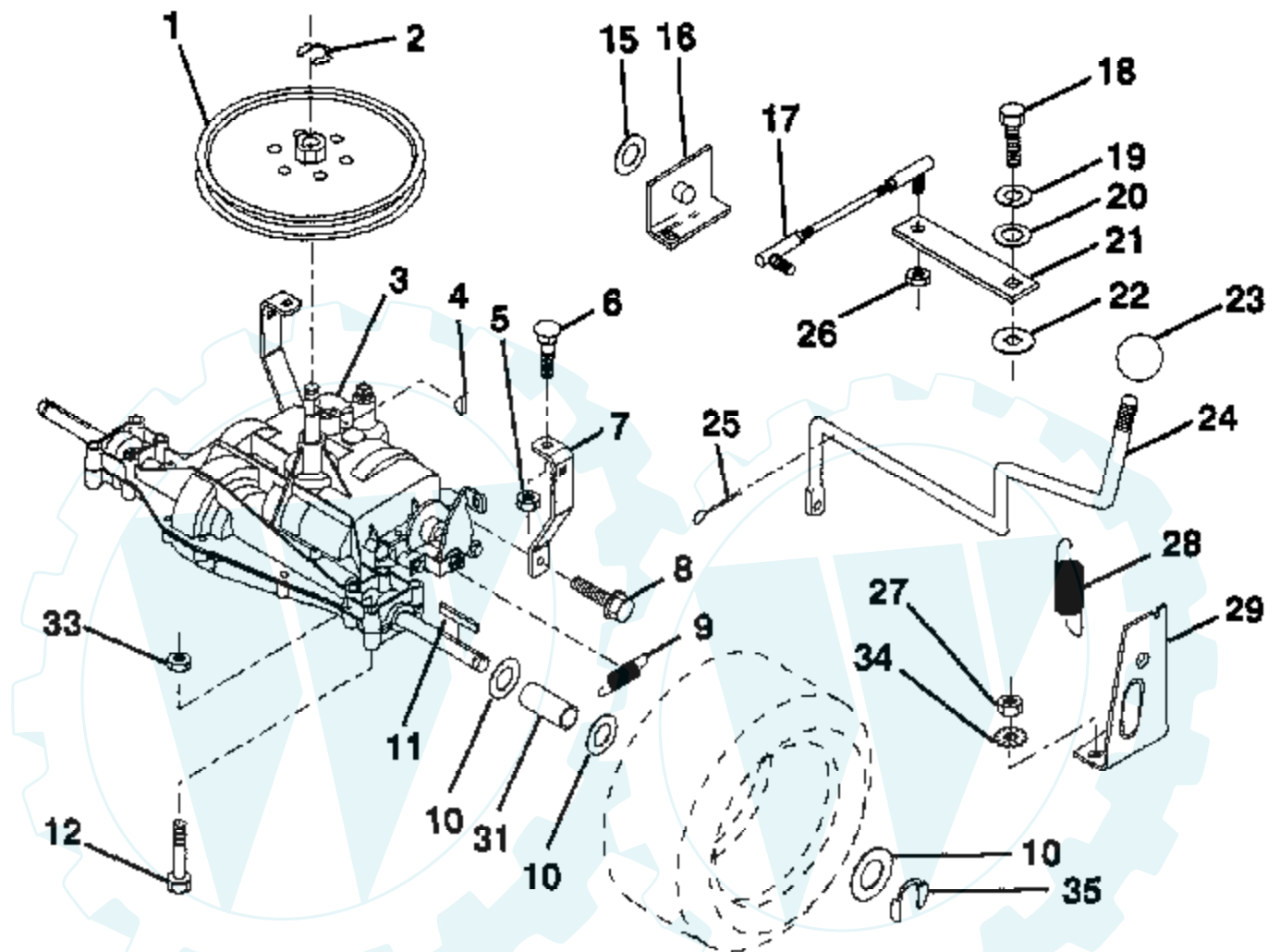
[Der Ersatzteilspezialist im Internet.](#)

Ref #	Part Number	Qty	Description
1	133742		ST WHL INSERT CAP
2	7810H		GRIPCO NUT
3	19133808		WASHER T
4	133741		SUB= 150547
5	121897X		SLEEVE STEERING
6	17431008		SUB= 98000165
7	102803X		SUB= 918102803X
8	123651X		SUB= 148966
9	124210X		STEERING CLIP
10	123438X		BUSHING STEER LWR
11	12000045		RING
12	19211616		WASHER LT
13	104820X		ADAPTER-WHEEL LT



12 HP 36" TRACTOR -- MODEL NUMBER AYP9120A29

TRANSAXLE



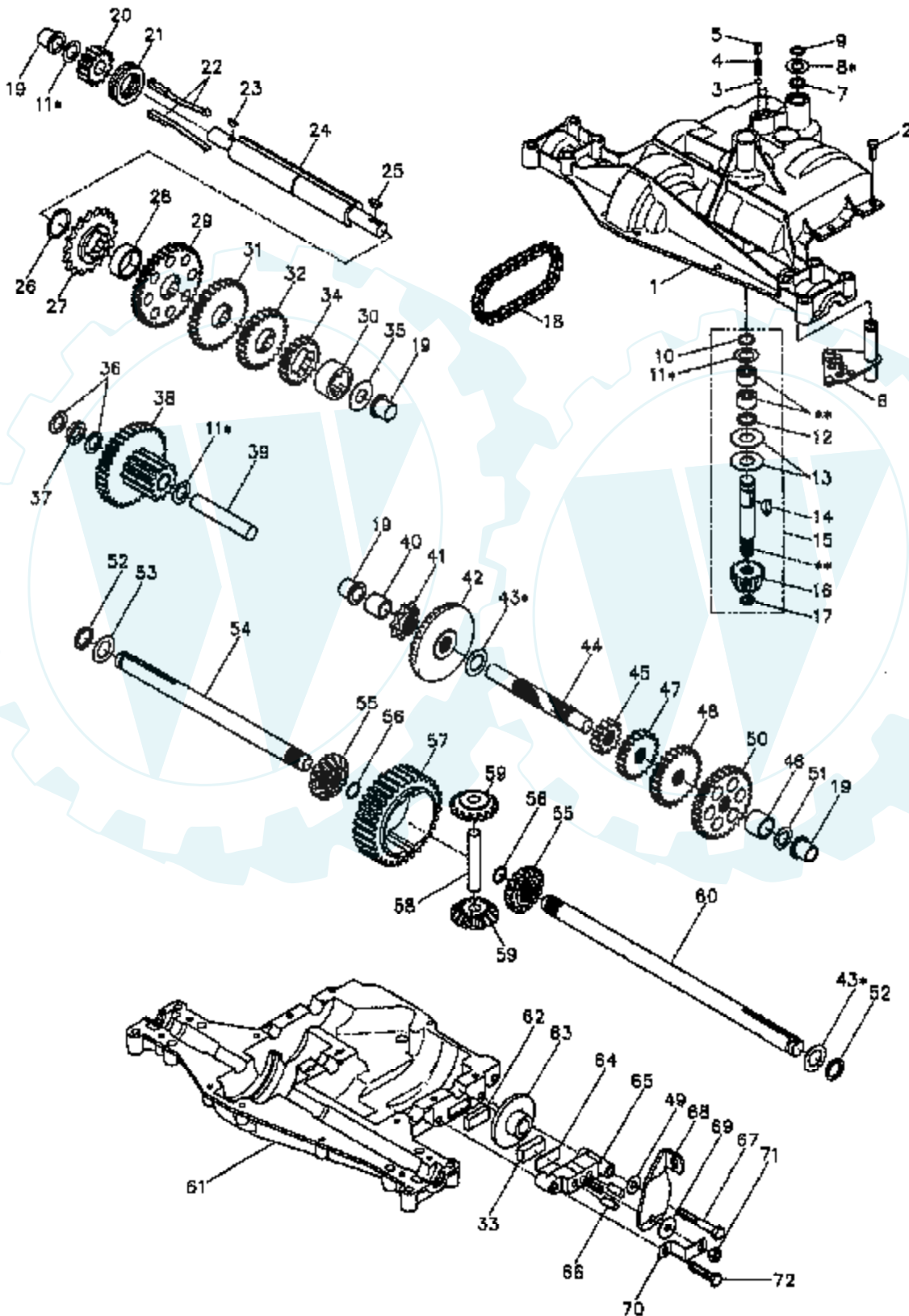
NOTE: All component dimensions given in U S inches
1 inch = 25.4 mm

HARDWARE SHOWN LARGER FOR EASIER IDENTIFICATION

Ref #	Part Number	Qty	Description
1	123385X		PULLEY
2	12000028		SUB= 2267J
3	123383X		SUB= 142594
4	2228M		SUB= 2228M1
5	73680500		SUB= 73690500
6	72140506		BOLT
7	123378X		"STRAP,TORQUE"
8	17490512		SCREW
9	110422X		SUB= 146682
10	121749X		WASHER
11	123583X		SQUARE KEY
12	74760644		BOLT
13	123377X		"BRKT,TRANSAXLE"
15	19171616		WASHER
16	124600X		"SUPT,HDLE SHT LH"
17	123632X		"LINK,SHIFT"
18	71040412		SUB= 74550412
19	10040400		LOCKWASHER
20	19091210		WASHER LT
21	123484X		ARM SHIFT
22	105701X		WASH-SHFT PLT LT
23	106933X		KNOB T (1/2-HOLE)
24	128215		"ROD,SHIFT"
25	76020416		PIN COTTER 1/8
26	73810500		NUT.LOCK.5/16-24
27	73510500		NUT
28	128085		"SPRING,EXT"
29	128084		"SUPT,HDLE RH"
31	123409X		SPACER
33	73680600		SUB= 73690600
34	11050500		LOCKWASHER.5/16.E
35	12000001		E-RING LT

**12 HP 36" TRACTOR- - MODEL NUMBER AYP9120A29
DANA TRANSAXLE - MODEL NUMBER 4360-15**

TRANSAXLE

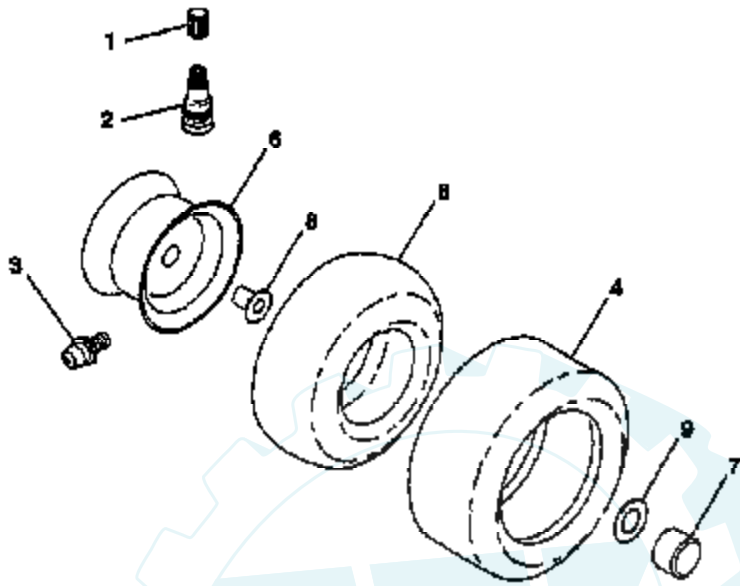


Ref #	Part Number	Qty	Description
1	120458X		SUB= 150228
2	2274J		SUB= 74760412
3	68003		"DETENT, BALL(68003)"
4	105904X		"SPRING, DETENT LT"
5	105905X		"SCREW, SET LT"
6	120460X		NLA
7	120461X		ORING T
8	12462X		WASHER
	120463X		WASHER T
	120464X		WASHER T
	120465X		WASHER T
	120466X		WASHER T
	83818		PLAIN WASHER
	120467X		WASHER T
9	2286J		RETAINING RING LT
10	2267J		RETAINING RING LT
11	3413J		WASHER
	2233J		WASHER 020
	2232J		WASHER 025
	2231J		WASHER 031
	2230J		WASHER 035
	2229J		WASHER 040
	2228J		WASHER 045
	2227J		WASHER 050
	2226J		WASHER 060
	105906X		"WASHER, PLAIN LT"
12	6725J		O-RING T
13	120415X		WASHER T
14	2257J		WOODRUFF KEY
15	110077X		INPUT KIT T
16	110078X		PINION 14T T
17	105909X		"RING,RETAINING LT"
18	105910X		"CHAIN,24 PTCH LT"
19	105911X		BEARING.FLNG.5510
20	108976X		GEAR 14T LT
21	105913X		SUB= 138246
22	120468X		KEY T
23	2242J		KEY
24	120469X		SUB= 153655
25	2244J		WOODRUFF KEY
26	105916X		"RING,RETAINING LT"
27	120470X		SPROCKET 18T T
28	110070X		SPACER YT
29	108977X		KIT.GEAR.12/37TH
30	120524X		SPACER T
31	120405X		SUB= 124644X
32	108980X		GEAR 25T LT
33	120951X		PUCK T
34	108455X		SUB= 134796
35	105925X		"WASHER, PLAIN LT"
36	2232J		WASHER 025
37	108978X		SPACER
38	110079X		ASSM GEAR COMB
39	120471X		SHAFT IDLER T
40	120472X		SPACER T
41	105928X		SPROCKET 9T LT
42	110084X		SUB= 167148
43	108983X		WASHER LT

Ref #	Part Number	Qty	Description
	105930X		"WASHER, PLAIN LT"
	105931X		"WASHER, PLAIN LT"
	105932X		"WASHER, PLAIN LT"
	3417J		WASHER
	106097X		"WASHER, PLAIN LT"
	2264J		WASHER 031
	106098X		"WASHER, PLAIN LT"
	2265J		WASHER 040
	106586X		WASHER PLAIN
	106587X		"WASHER, PLAIN LT"
	106588X		"WASHER, PLAIN LT"
	2263J		WASHER 062
44	120473X		SHAFT T
45	105933X		SUB= 108977X
46	120523X		SPACER T
47	120407X		SUB= 124641X
48	106589X		"GEAR, SPUR 25T LT"
49	120993X		WASHER T
50	105937X		"GEAR, SPUR 31T LT"
51	2226J		WASHER 060
52	2272J		SUB= 134401
53	2263J		WASHER 062
54			REFER TO IMAGE
55	110081X		GEAR 15T T
56	105941X		"RING,RETAINING LT"
57	110071X		SUB= 120478X
58	120952X		SHAFT T
59	110082X		GEAR 1ST T
60			REFER TO IMAGE
61	120476X		SUB= 134798
62	120961X		PUCK T
63	7294J		BRAKE DISC. T
64	108989X		SPACER LT
65	120953X		SUB= 918120953X
66	120954X		PIN T
67	120955X		SCREW T
68	108992X		LEVER ACTUATOR
69	108996X		WASHER LT
70	120956X		NLA
71	73810500		NUT.LOCK.5/16-24
72	106596X		"SCREW, TAPPING LT"
73	120416X		SUB= 126976X

12 HP 36" TRACTOR - - MODEL NUMBER AYP9120A29

WHEELS & TIRES



NOTE: All component dimensions given in U.S. inches
1 inch = 25.4 mm

HARDWARE SHOWN LARGER FOR EASIER IDENTIFICATION

Ref #	Part Number	Qty	Description
1	59192		VALVE CAP
2	65139		VALVE STEM LT
3	278H		FITTING LT
4	124142X		SUB= 123410X
	124143X		SUB= 122075X
5	59904		TUBE.5.3/4.5/6
	8134H		TUBE.16X6.5/7.5-8
6	122394X311		SUB= 137237X427
	123412X311		SUB= 123412X427
7	104757X		HUB CAP
8	9040H		"FLANGE, BEARING"
9	121748X		WASHER

