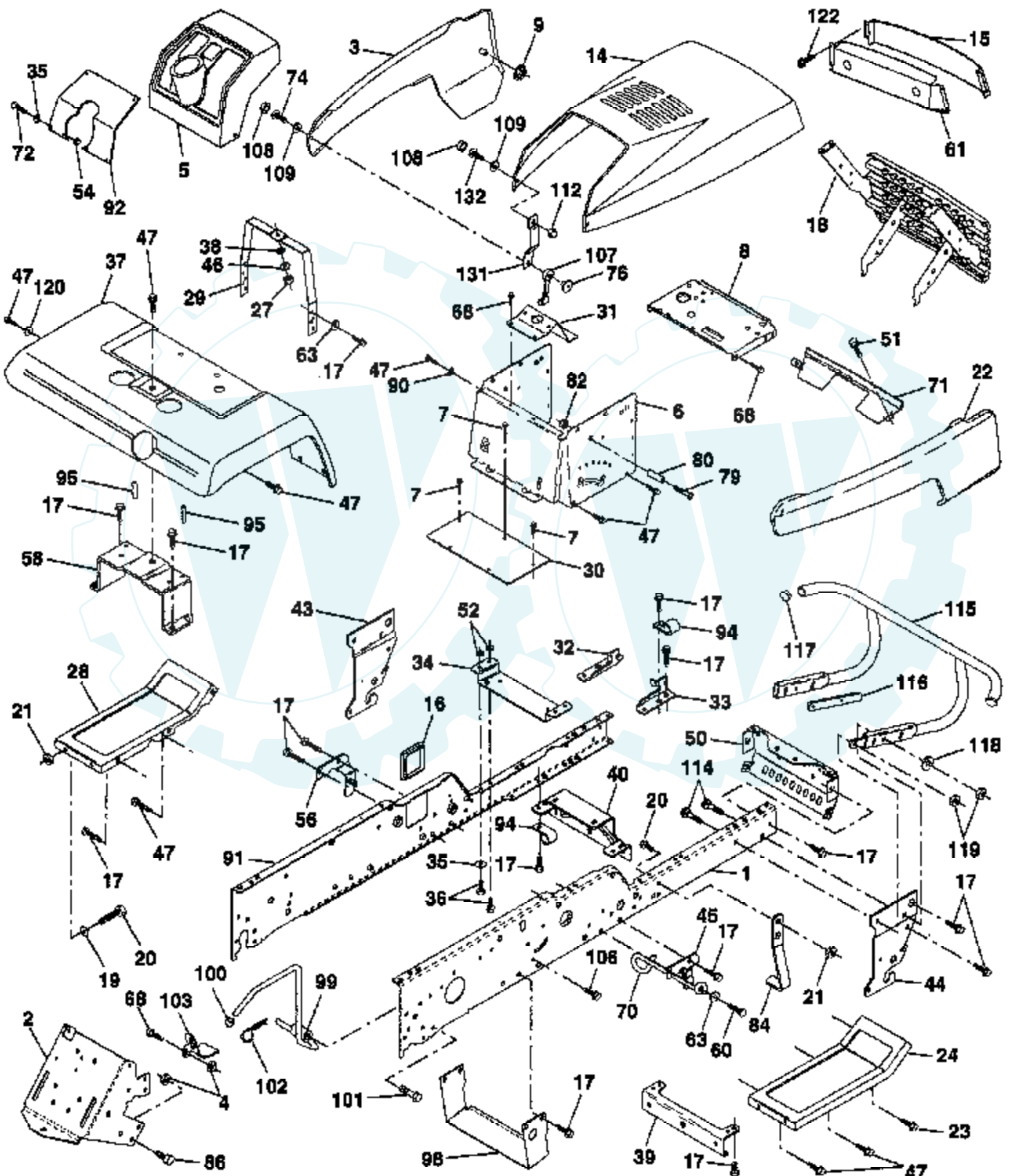


TRACTOR - - MODEL NUMBER AYP8228A69

CHASSIS AND ENCLOSURES

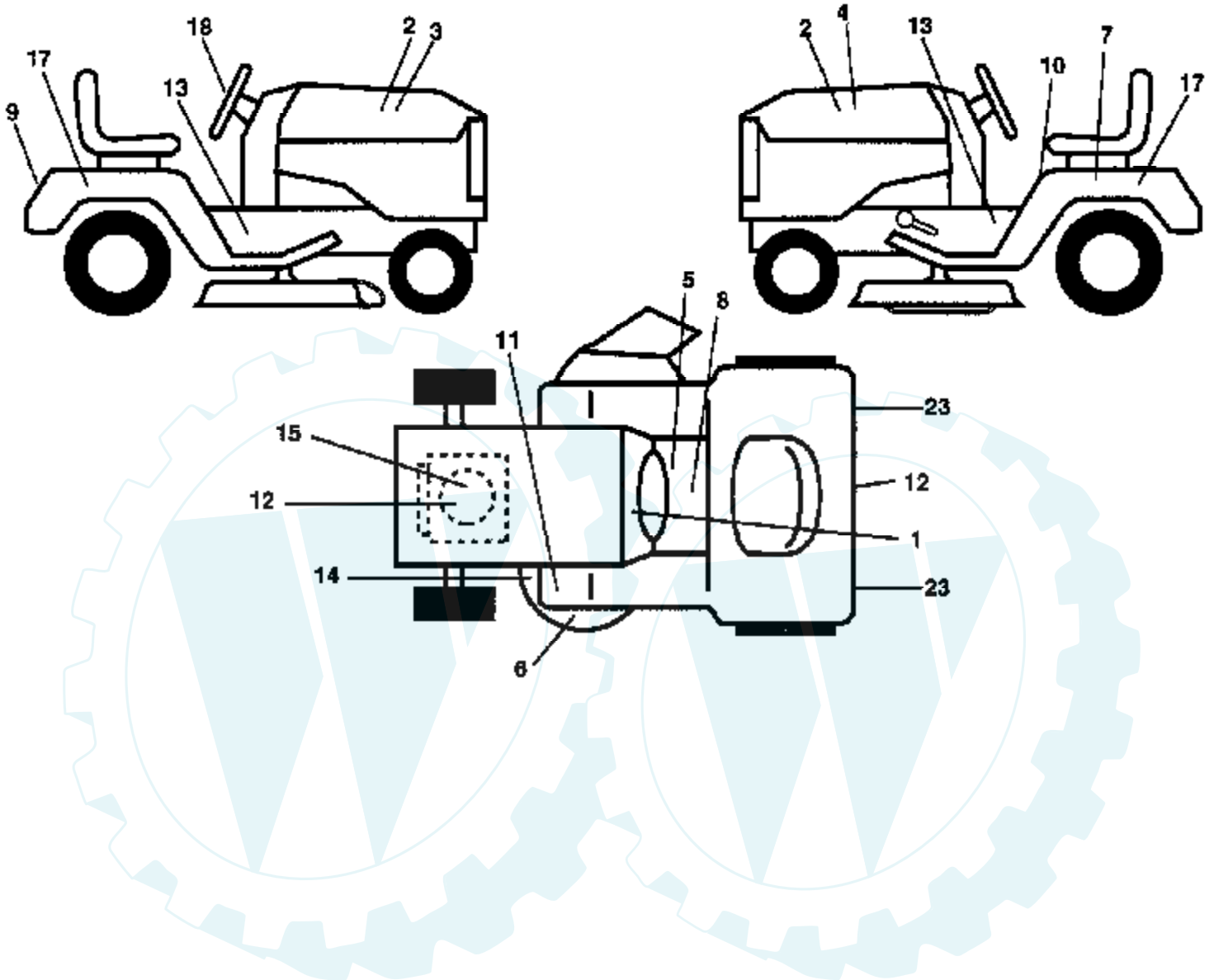


Ref #	Part Number	Qty	Description
1	150253		"RAIL,FRAME RH"
2	140506		DRAWBAR GT
3	150302X418		"PANEL,ASM SIDE LH"
4	73800700		NUT.7/16
5	140398		DASHBOARD BLACK
6	150273		"DASH AS.,LOWER"
7	17720408		SCREW
8	145166		SUPPORT.DASH.BTRY
9	108067X		PAL NUT LT
14	150301X418		"HOOD ASM.,PNT"
15	146459		LENS.BAR.CLEAR
16	121794X		COVER ACCESS
17	17490612		SCREW
18	150198		GRILLE
19	19131312		WASHER
20	74760616		BOLT
21	73680500		SUB= 73690500
22	150303X418		PANEL ASM.SIDE RH
23	17490616		SCREW GTV
24	145243X418		FOOTREST.RH.LT/GT
27	73220400		SUB= 50675
28	145244X418		FOOTREST.LT.LT/GT
29	145205		DASH.SUPT.YP/HUSQ
30	145052		SADDLE.HYDRO.95
31	145183		BRACKET.SUPT.STEER
32	141315		BRACKET ASM FRAME
33	141314		BRACKET ASM FRAME
34	142131		BRACKET.ENG.SUPT.
35	19111116		WASHER
36	74780512		BOLT
37	140002X418		FENDER.YT/GT
38	10040400		LOCKWASHER
39	136961		BRACKET.AXLE.FRT.
40	142132		SUB= 156111
43	136939		BRACKET.SUS.FT.LH
44	136940		BRACKET.SUS.FT.RH
45	138460		SUB= 155887
46	19091216		WASHER PM
47	17490608		SCREW LT
50	136575		BRACKET.CHASSIS.
51	17580408		SCREW CRT
52	73680500		SUB= 73690500
54	73510500		NUT
56	138461		SUB= 155886
58	137113		BRKT.ASM.FENDER
60	17490620		SCREW
61	147717		BEZEL.ASM.
63	19131614		WASHER
68	17490508		SCREW LT
70	137159		GUIDE.BELT.MID.SP
71	144916X418		STRAP.GRILL
72	74180512		SCREW
74	74191008		SCREW
75	10071000		LOCKWASHER
76	2029J		WELDNUT
79	74981020		SCREW
80	7206J		SPACER.LT
82	73731000		NUT

Ref #	Part Number	Qty	Description
84	142992		STOP.OVER.CENTER
86	74760716		BOLT
90	11050600		LOCKWASHER
91	144735		SUB= 151630
92	140299X012		PLATE SLKSCR YP
94	100207K		CLIP GTV
95	105531X		NUT-PUSH YT
98	140503		BRACKET SKID CHAS
99	140871		ROD BYPASS
100	124236X		CAP
101	17490628		SCREW LT
102	4497H		RETAINER M
103	142273		LOCK BYPASS BRKT
106	138776		SUB= 157722
107	109808X		HOOD LATCH T
108	110356X		SNAP CAP LT
109	110357X		WASHER LT
112	60867		ACORN NUT RB
114	72140610		BOLT.3/8-14X1.25
115	150300		BUMPER.ASM
116	141461		BRACKET.EXT.BUMP.
117	143679		PLUG.PLASTIC
118	19131316		WASHER
119	73680600		SUB= 73690600
120	19131616		WASHER HYT
122	17030814		SUB= 91817030814
131	150195		BKT.SPT.HOOD/PANL
	8022J		PLUG-DASH T

TRACTOR - - MODEL NUMBER AYP8228A69

DECALS

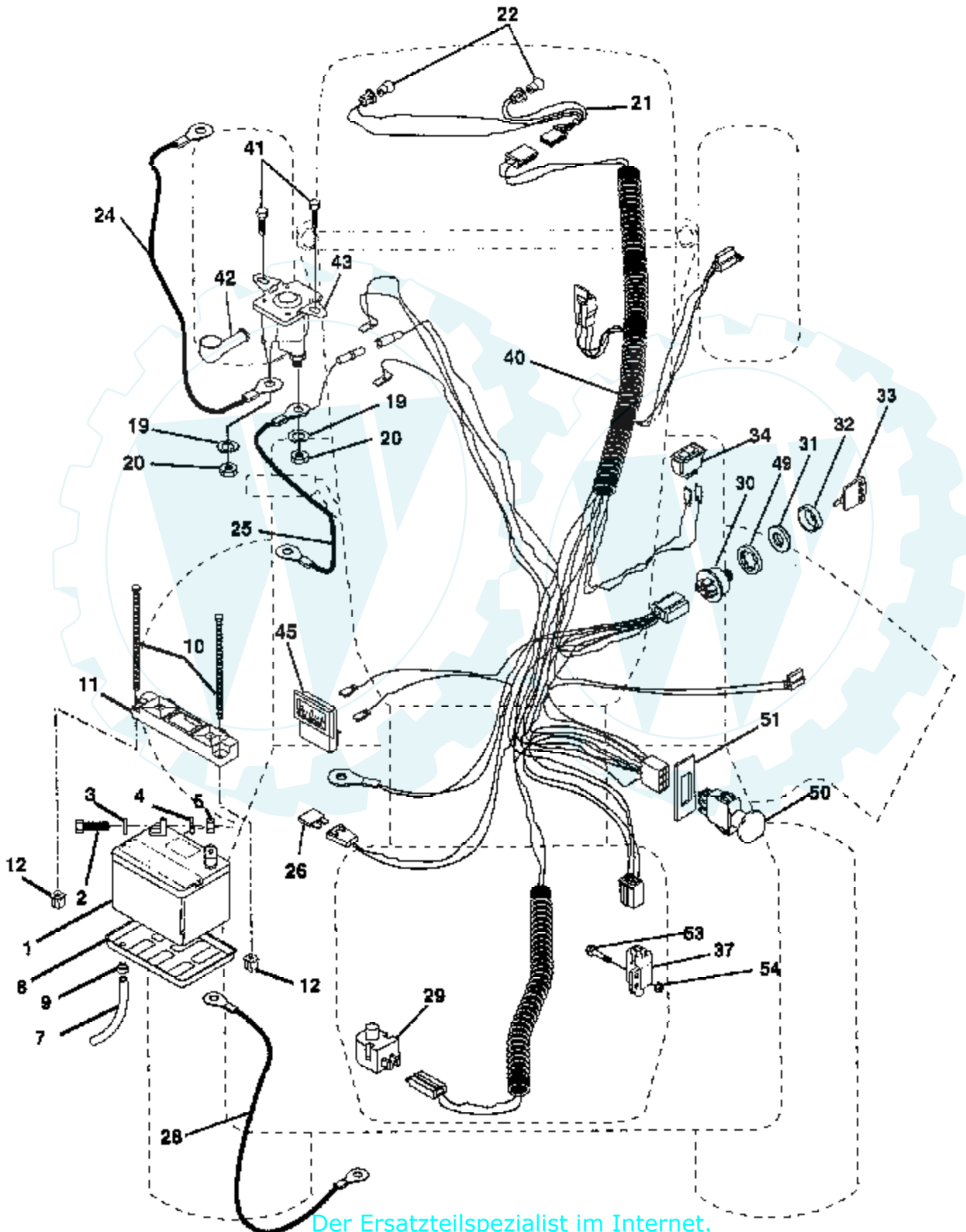


Ref #	Part Number	Qty	Description
1	138955		DECAL.DASH.INST.
2	143388		NAMEPLATE.HD.WIZA
3	151253		DECAL.HD.RH.WIZRD
4	151255		DECAL.HD.LH.WIZRD
5	140837		DECAL BRAK PARK
6	141517		DECAL DECK WIZ +
7	146451		DECAL.BTRY.DANGER
8	142336		DECAL SADLE HYDRO
9	127520		NLA
10	133796		DECAL
11	4900J		DECAL T
12	142342		DECAL D-BAR CNTRL
13	141587		DECAL CHASSIS 50
14	139346		"DECAL.V.BELT.44""
15	151260		DECAL.PNL.SD.KOHL
17	146615		DECAL.FENDER.WIZ
18	141619		DECAL INS STG WHL
23	106202X		REFLECTOR-TAIL YT
	133671		FOOTREST PAD
	138311		DECAL HANDLE LIFT
	151250		MANUAL.O.AYP8228



TRACTOR - - MODEL NUMBER AYP8228A69

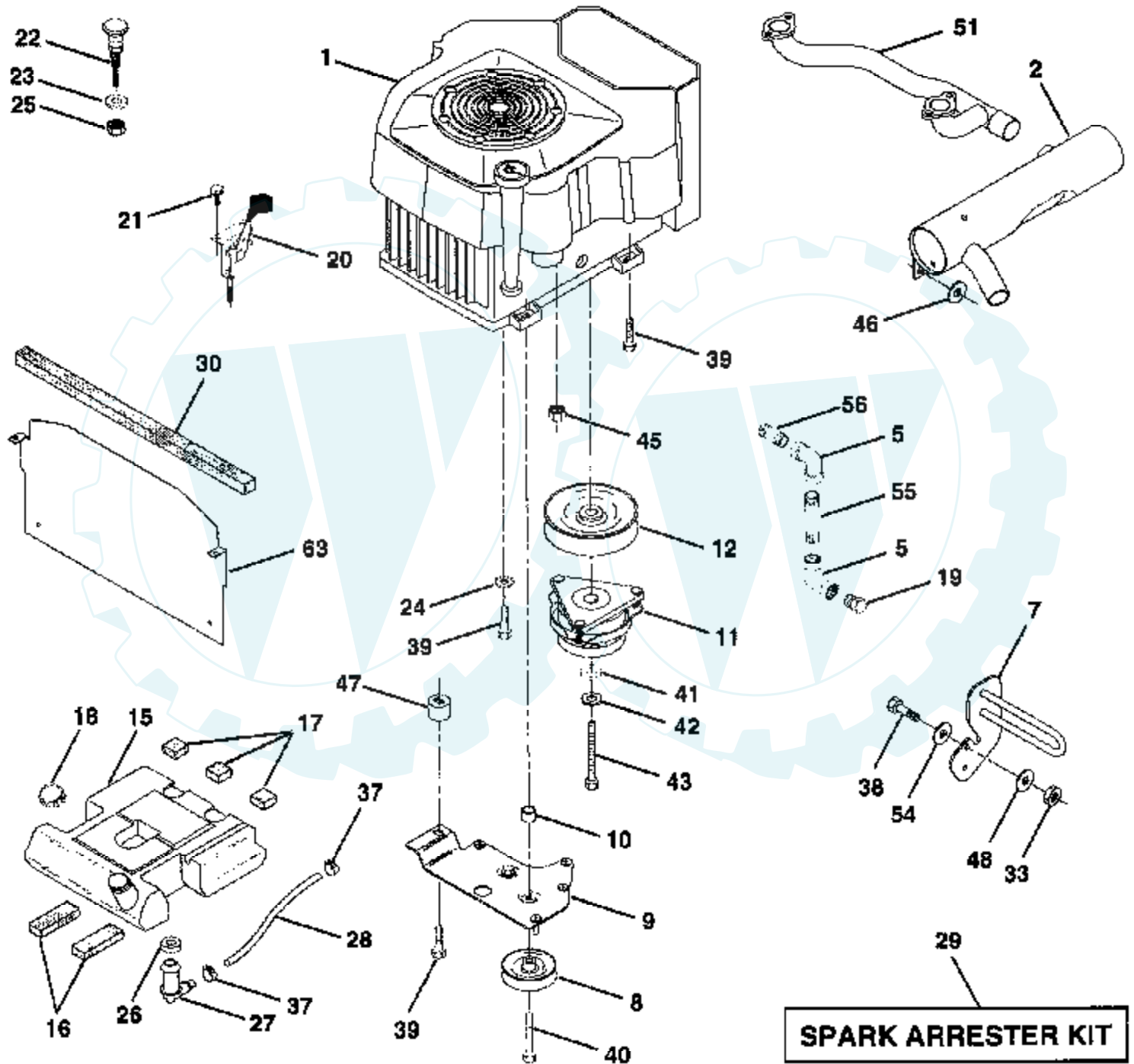
ELECTRICAL



Ref #	Part Number	Qty	Description
1	146141		SUB= 125603X
2	74760412		BOLT LT
3	10040400		LOCKWASHER
4	19091016		WASHER
6	73220400		SUB= 50675
7	7697J		"DRAIN TU T, BATT"
8	7603J		"TRAY T, BATTERY"
9	109596X		HOSE CLAMP T
10	145211		SUB= 150177
11	145209		SUB= 150109
12	145769		SUB= 150177
19	10090400		SUB= 10040400
20	73350400		NUT
21	136850		"HARNES, LIGHT SOC"
22	4152J		HEADLAMP BULB
24	4014J		CABLE.BATY.22.RED
25	146686		CABLE.BATRY.4GA.
26	108824X		FUSE HYT
28	6408R		CABLE.BATRY.4GA.
29	121305X		SWITCH SEAT
30	144921		SUB= 163088
31	140400		SUB= 145774
32	141226		COVER KEY SWITCH
33	140401		KEY MLD GEN DELTA
34	110712X		SWITCH LT
39	109553X		SWITCH INTERLOCKT
40	146071		HARNES.IGN.95.GT
41	17720408		SCREW
42	131563		SUB= 154336
43	145673		SUB= 146154
45	122822X		AMMETER
49	11151000		LOCKWASHER
50	140404		SUB= 154959
51	140405		RING RETAIN PTO
53	71031008		SCREW
54	73951000		"NUT,KEPS"

TRACTOR - - MODEL NUMBER AYP8228A69

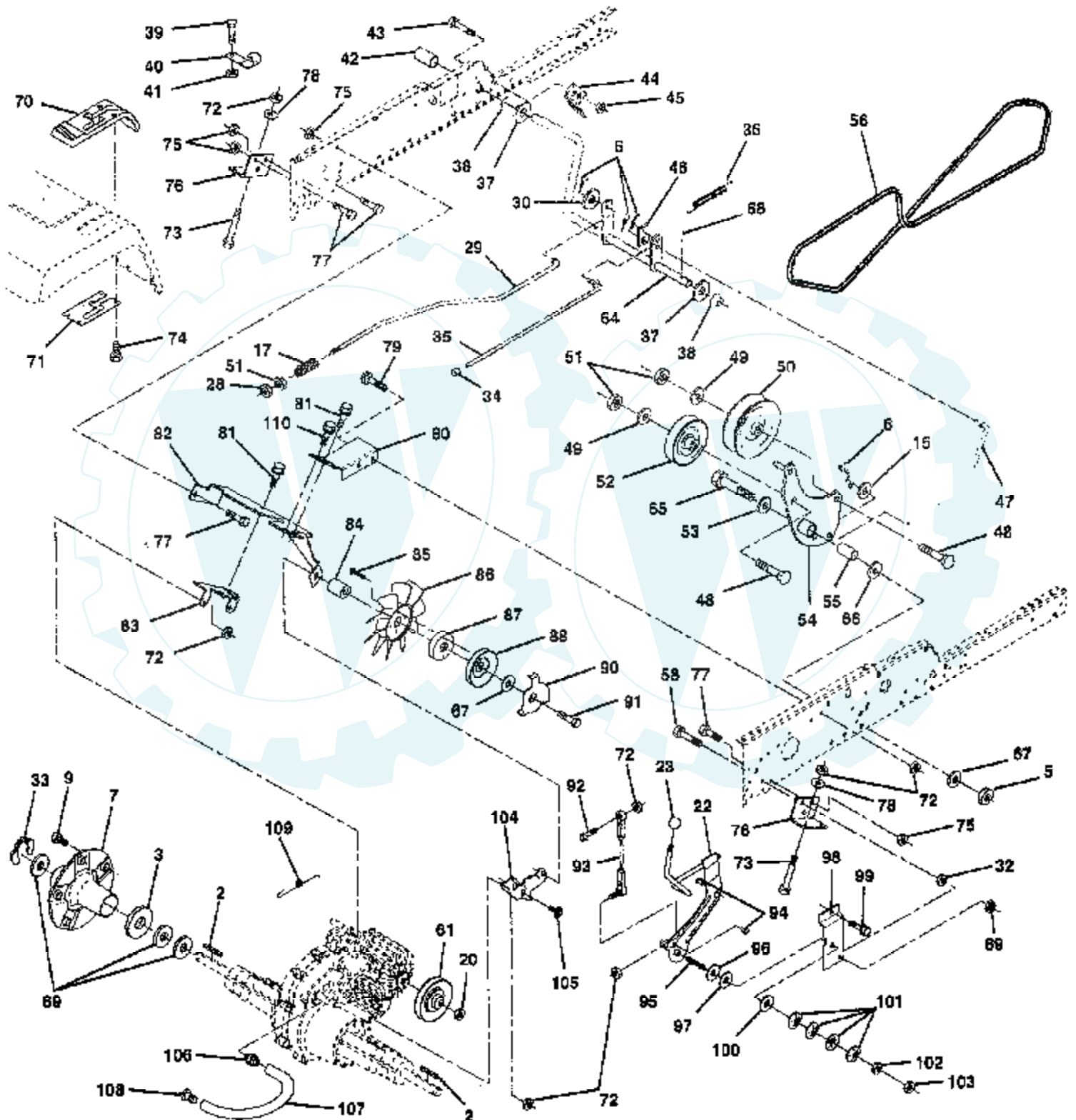
ENGINE



Ref #	Part Number	Qty	Description
1	CV22S		ENGINE, KOHLER
2	144636		SUB= 161062
5	13200300		ELBOW
7	143599		SUB= 151396
8	121361X		SUB= 139123
9	145109		SUB= 150828
10	105432X		BUSHING.
11	140923		SUB= 150283
12	143996		PULLEY.ENG.CLUTCH
15	141069		SUB= 151346
16	109227X		PAD IDLER TI
18	140527		CAP ASM FUEL
19	13290300		PLUG T
20	132747		SUB= 532132748
21	17720410		SCREW LT
22	132781		CHOKE CONTROL
23	19131316		WASHER
24	11050600		LOCKWASHER
25	73610600		SUB= 7810H
26	3645J		BUSHING OUTLET T
27	139277		STEM.TANK.FUEL
28	7834R		SUB= 8542R
29	132920		SPARK ARREST KIT
30	105037X		FOAM-STRIP LT
33	73800600		NUT
37	123487X		HOSE CLAMP
38	74780624		"BOLT,HEX"
39	17490636		SCREW.3/8-16X2.25
40	17490664		SCREW.TT.3/8-16X4
41	126197X		WASHER
42	10040700		LOCKWASHER
43	150280		BOLT.7/16-20X4.25
45	128861		NUT
46	19131616		WASHER HYT
47	142040		SPACER.ENGINE
188	19132007		WASHER T
51	140787		SUB= 918140787
54	19131414		WASHER
55	13090336		SUB= 13280336
56	13090308		NIPPLE.PIPE
63	145549		HEAT.SHIELD.VGT.

TRACTOR - - MODEL NUMBER AYP8228A69

GROUND DRIVE

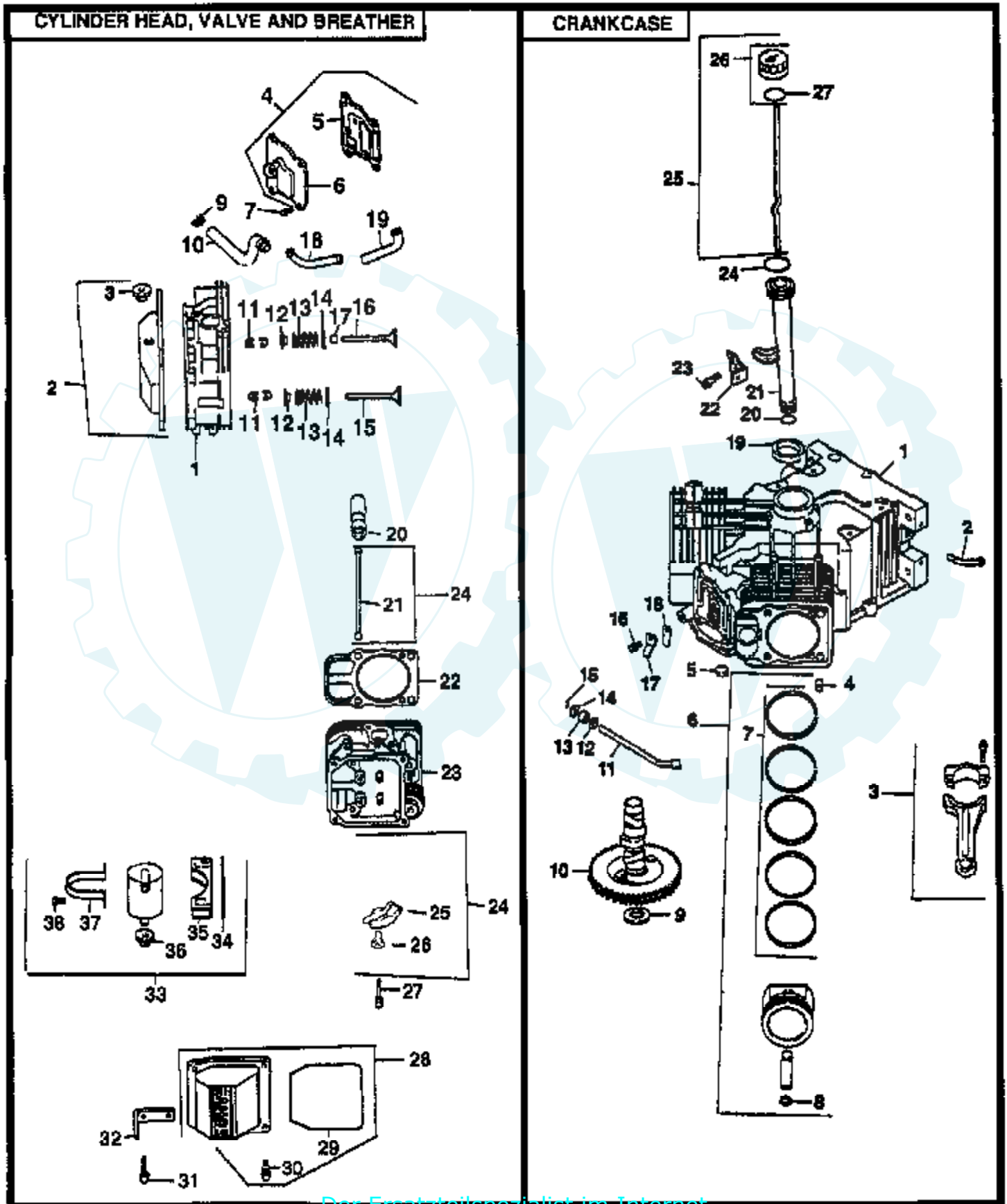


Ref #	Part Number	Qty	Description
2	7070E		KEY 1/4 X 2.5
23	7563R		WASHER T
5	73680600		SUB= 73690600
6	76020412		COTTER PIN
7	140507		HUB WHEEL ASM
9	140080		BOLT.HUB.WHL.REAR
15	19131316		WASHER
17	140921		SPRING ROD BRAKE
20	73940800		SUB= 73360800
22	140498		SHAFT ARM ASM
23	121274X		KNOB.DUCKHEAD.1/2
28	73350600		NUT
29	140494		ROD BRAKE
30	19131616		WASHER HYT
32	73220700		NUT
33	12000053		E RING HYT
34	124236X		CAP
35	137648		ROD BRAKE PART GT
36	149412		SPRING.GRND.DRIVE
37	121749X		WASHER
38	150035		BUSHING.NYLINER
39	74321016		SCREW
40	5304J		ACT-SWITCH T
41	73631000		SUB= 69180
42	8883R		PEDAL COVER T
43	74760412		BOLT LT
44	104601X		BRKT SWITCH GT
45	73800400		NUT
46	145170		RETAINER.SPRING
47	138228		ROD.CLUTCH
48	72110612		BOLT.3/8-16X1.50
49	19131413		WASHER
50	131494		FLAT IDLER PULLEY
51	73680600		SUB= 73690600
52	139123		PULLEY.IDLER.V.GR
53	207J		WASHER T
54	138390		ARM.ASM.IDLER.CLU
55	105706X		"LY, BEARING"
56	140218		BELT-V 84.5
58	74760724		BOLT
61	140488		PULLEY TRANSAXLE
64	137649		SUB= 154752
65	67609		AXLE BOLT
66	140296		WASHER.HARD.BLADE
67	19131312		WASHER
68	5142H		ROLL PIN STD
69	123800X		WASHER
70	139989		SUB= 153762
71	140927		PLATE CONSOLE S
72	73680500		SUB= 73690500
73	74780548		BOLT FIN HEX 5/16
74	142432		SCREW HEXWSH H-L
75	73800700		NUT.7/16
76	140481		BRACKET TRAN VGTH
77	74760716		BOLT
78	19111212		WASHER
79	72110505		BOLT
80	140484		BRACKET TORQUE RH

Ref #	Part Number	Qty	Description
81	17490612		SCREW
82	140482		SUB= 154561
83	140479		STRAP TORQUE MID
84	140490		SPACER
85	17541020		SCREW YTV
86	140462		"FAN 7"" HYDRO"
87	140491		ADAPTER FAN
88	140492		SUB= 161592
89	73680700		NUT GTV
90	140489		KEEPER BELT
91	17490644		SCREW.HXWSH.3/8
92	74760520		BOLT
93	140502		LINK ASM SHIFT
94	133835		XMAS TREE FASTNER
95	23200528		SCREW SET 5/16
96	141103		WASHER NICKEL PLT
97	126874X		BEARING THRUST
98	141004		BRACKET SHIFT
99	17490624		SCREW LT
100	126881X		WASHER COMPRESSIN
101	59285		WASHER
102	73560500		NUT HEX NYLOCK
103	73350500		JAM NUT TI
104	140480		BRACKET IDLER
105	17580408		SCREW CRT
106	142576		SUB= 142922
107	142577		SUB= 142918
108	142578		SUB= 142917
109	140929		SPRING BRAKE
110	88652		HINGE SCREW
	140343		SUB= 150073

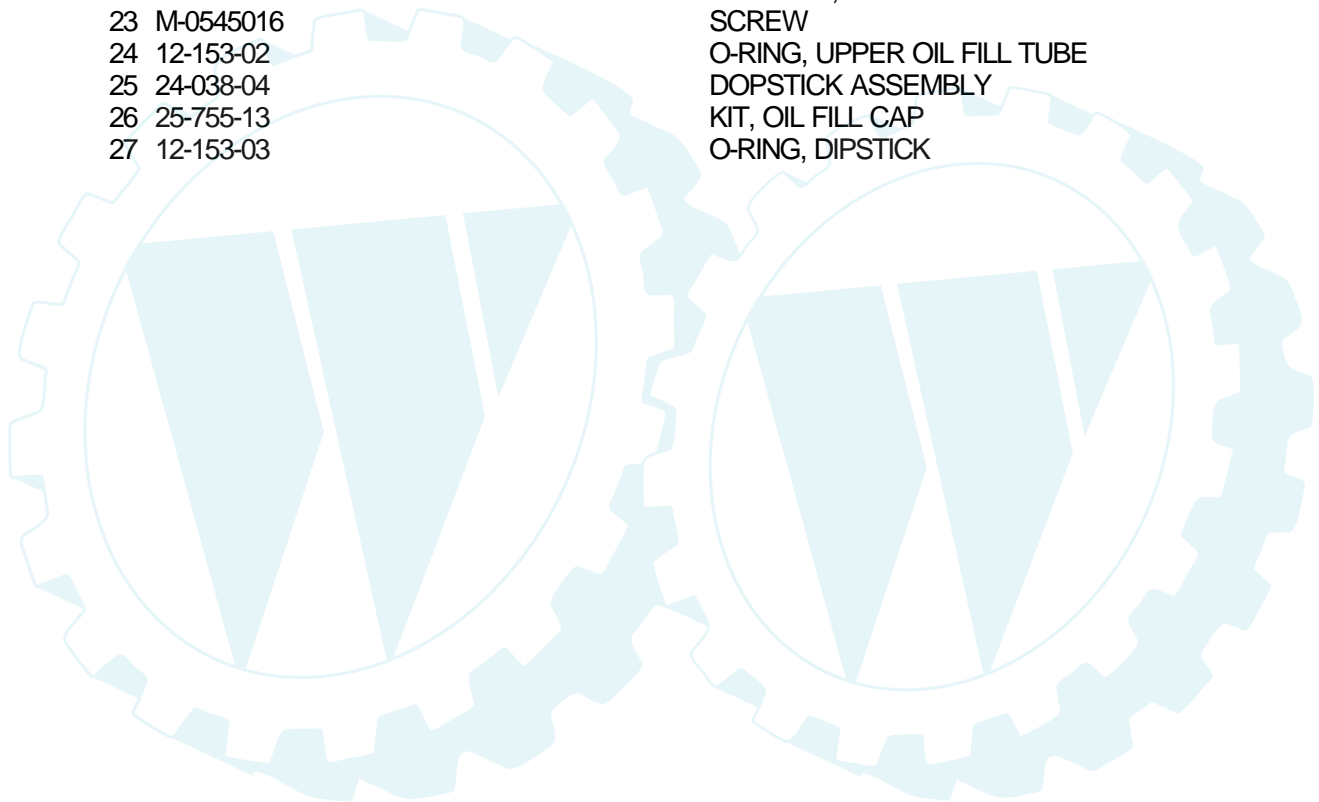
TRACTOR - - MODEL NUMBER AYP8228A69

KOHLER ENGINE - MODEL NUMBER CV22S, TYPE NUMBER 67520



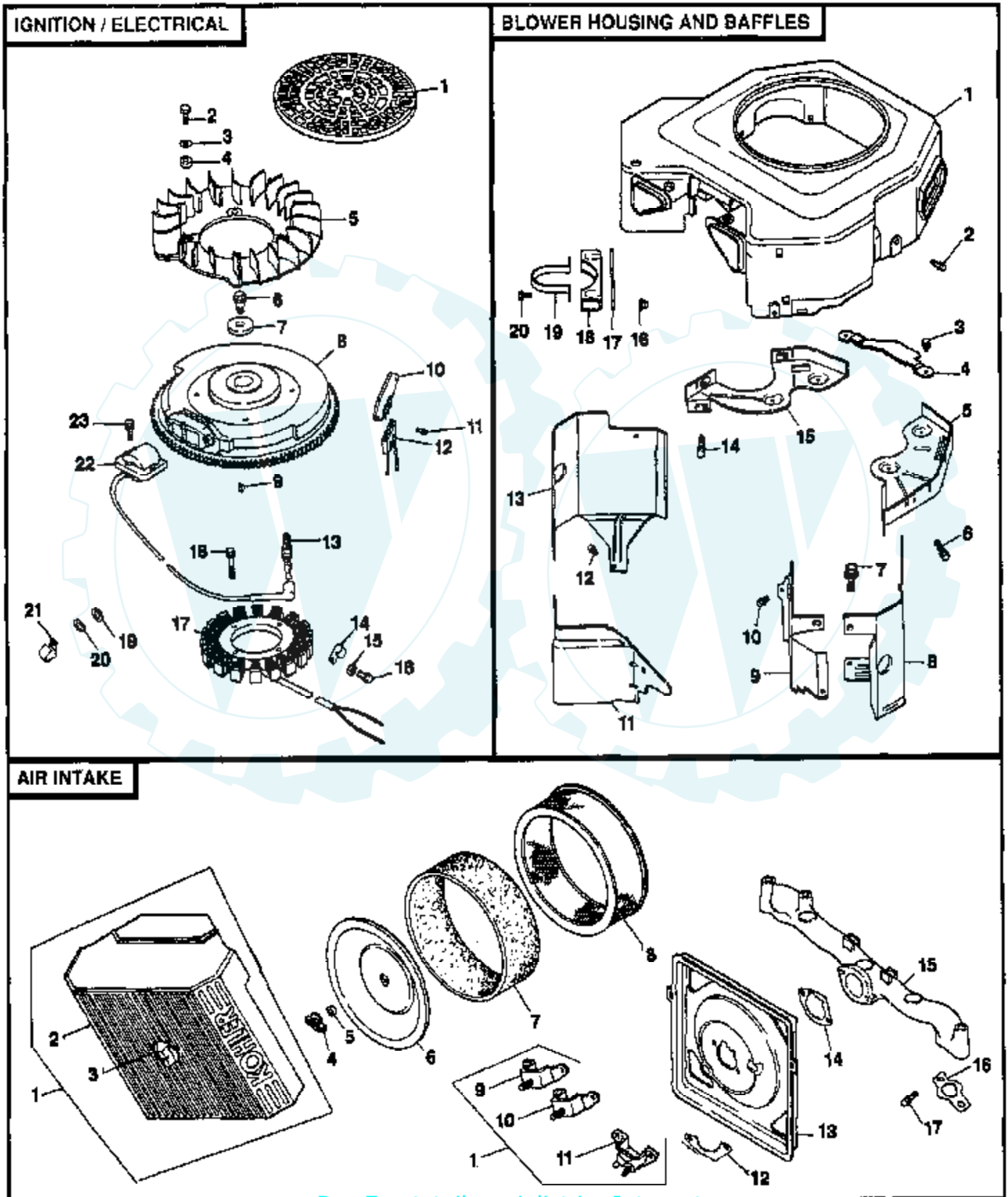
Ref #	Part Number	Qty	Description
1	24-318-11		HEAD ASSEMBLY
2	24-755-76		KIT, VALVE COVER, BREATHER
3	25-313-02		GROMMET, RUBBER
4	24-033-03		KIT, BREATHER COVER WITH GASKET
5	24-041-23		GASKET, BREATHER
6	24-096-15		COVER, BREATHER
7	M-0645020		SCREW HEX FLANGE
9	X-426-9		CLAMP, HOSE
10	24-326-14		HOSE, BREATHER
11	12-755-03		KIT, RETAINER
12	12-173-01		CAP, VALVE SPRING
13	24-089-02		SPRING, VALVE
14	235011		RETAINER, SPRING
15	24-016-01		VALVE, EXHAUST, STANDARD SIZE
	24-016-02		VALVE, EXHAUST, .25 OVERSIZE
16	24-017-01		VALVE, INTAKE, STANDARD SIZE
	24-017-02		VALVE, INTAKE, .25 OVERSIZE
17	24-032-05		SEAL, VALVE STEM
18	24-294-06		FITTING
19	24-326-13		HOSE, BREATHER
20	12-351-01		LIFTER, VALVE
21	24-411-05		ROD, PUSH
22	24-041-08		GASKET, CYLINDER HEAD
23	24-318-12		HEAD ASSEMBLY
24	24-755-66		KIT, VALVE TRAIN
25	25-186-01		ARM, ROCKER
26	24-599-01		PIVOT, ROCKER ARM
27	M-0640034		SCREW, ROCKER ARM
28	24-755-74		KIT, VALVE COVER, PLAIN
29	24-153-12		O-RING
30	24-086-32		SCREW
31	12-086-16		SCREW
32	24-455-01		STRAP, LIFTING
33	24-755-57		KIT, BREATHER SEPARATOR
34	24-112-12		SPACER
35	24-126-44		BRACKET, BREATHER SEPARATOR
36	25-313-02		GROMMET, RUBBER
37	24-445-02		STRAP, BREATHER SEPARATOR
38	M-0545016		SCREW
1	24-522-05		CYLINDER BLOCK
2	24-294-03		FITTING
3	24-067-05		CONNECTING ROD
	24-067-06		CONNECTING ROD
4	12-380-03		PIN, DOWEL LOCATING
5	52-139-09		PLUG, CUP
6	24-874-01		PISTON WITH RING SET
	24-874-02		PISTON WITH RING SET
	24-874-03		PISTON WITH RING SET
7	24-108-01		RING SET
	24-108-02		RING SET
	24-108-03		RING SET
8	24-018-01		RETAINER, PISTON PIN
9	12-422-10		SHIM, CAMSHAFT, YELLOW
	12-422-09		SHIM, CAMSHAFT, RED
	12-422-13		SHIM, CAMSHAFT, BLACK
	12-422-07		SHIM, CAMSHAFT, WHITE
	12-422-08		SHIM, CAMSHAFT, BLUE
	12-422-11		SHIM, CAMSHAFT, GREEN

Ref #	Part Number	Qty	Description
	12-422-12		SHIM, CAMSHAFT, GREY
10	24-010-03		CAMSHAFT
11	24-144-01		SHAFT, GOVERNOR CROSS
12	M0631005		WASHER, PLAIN
13	12-032-01		SEAL, GOVERNOR CROSS SHAFT
14	X-25-102		WASHER
15	12-380-04		PIN
16	M-0545010		SCREW, MOUNTING
17	24-018-04		RETAINER, REED
18	24-402-05		REED, BREATHER
19	24-032-01		SEAL, OIL, FRONT
20	12-153-01		O-RING, LOWER OIL FILL TUBE
21	12-123-04		TUBE, OIL FILL
22	24-126-19		BRACKET, OIL FILL TUBE
23	M-0545016		SCREW
24	12-153-02		O-RING, UPPER OIL FILL TUBE
25	24-038-04		DIPSTICK ASSEMBLY
26	25-755-13		KIT, OIL FILL CAP
27	12-153-03		O-RING, DIPSTICK



TRACTOR - - MODEL NUMBER AYP8228A69

KOHLER ENGINE - MODEL NUMBER CV22S, TYPE NUMBER 67520



Ref #	Part Number	Qty	Description
1	24-162-17		SCREEN, GRASS
2	M-0403025		SCREW
3	X-25-92		WASHER
4	24-112-04		SPACER
5	24-157-03		FAN
6	M-0639016		SCREW
7	12-112-01		SCREW
8	24-025-04		FLYWHEEL ASSEMBLY
9	X-42-15		KEY
10	25-403-03		RECTIFIER-REGULATOR
11	24-086-18		SCREW
12	236602		CONNECTOR
13	12-132-02		SPARK PLUG
14	48-154-02		CLIP
15	12-468-03		WASHER
16	12-086-14		SCREW
17	24-085-01		STATOR
18	M-0548025		SCREW
19	X-25-63		WASHER, PLAIN 1/4
20	X-25-92		WASHER
21	235173		CLIP
22	24-584-01		MODULE
23	SM-0545020		SCREW
	24-176-12		HARNESS
	25-518-28		LEAD
	24-113-18		DECAL
1	24-027-20		HOUSING
2	M-0545016		SCREW
3	M-0645016		SCREW
4	24-314-05		SCREW
5	24-146-02		GUARD
6	M-0545020		PLATE
7	M-0551016		SCREW
8	24-063-20		SCREW
9	24-063-14		BAFFLE
10	M-0545010		SCREW, MOUNTING
11	24-063-23		BAFFLE
12	M-0545016		SCREW
13	24-063-30		BAFFLE
14	M-0645016		SCREW
15	24-146-08		PLATE
16	24-100-02		NUT
17	24-112-12		SPACER
18	24-126-44		BRACKET, BREATHER SEPARATOR
19	24-445-02		STRAP, BREATHER SEPARATOR
20	24-086-27		SPREW
	24-100-01		NUT
	24-100-02		NUT
	25-139-16		PLUG
1	24-743-05		KIT, AIR CLEANER COVER
2	24-096-24		COVER, AIR CLEANER
3	25-341-02		KNOB
4	12-100-01		WING NUT
5	24-032-03		SEAL
6	24-096-01		COVER
7	24-083-02		ELEMENT
8	24-083-03		ELEMENT
9	24-126-21		BRACKET

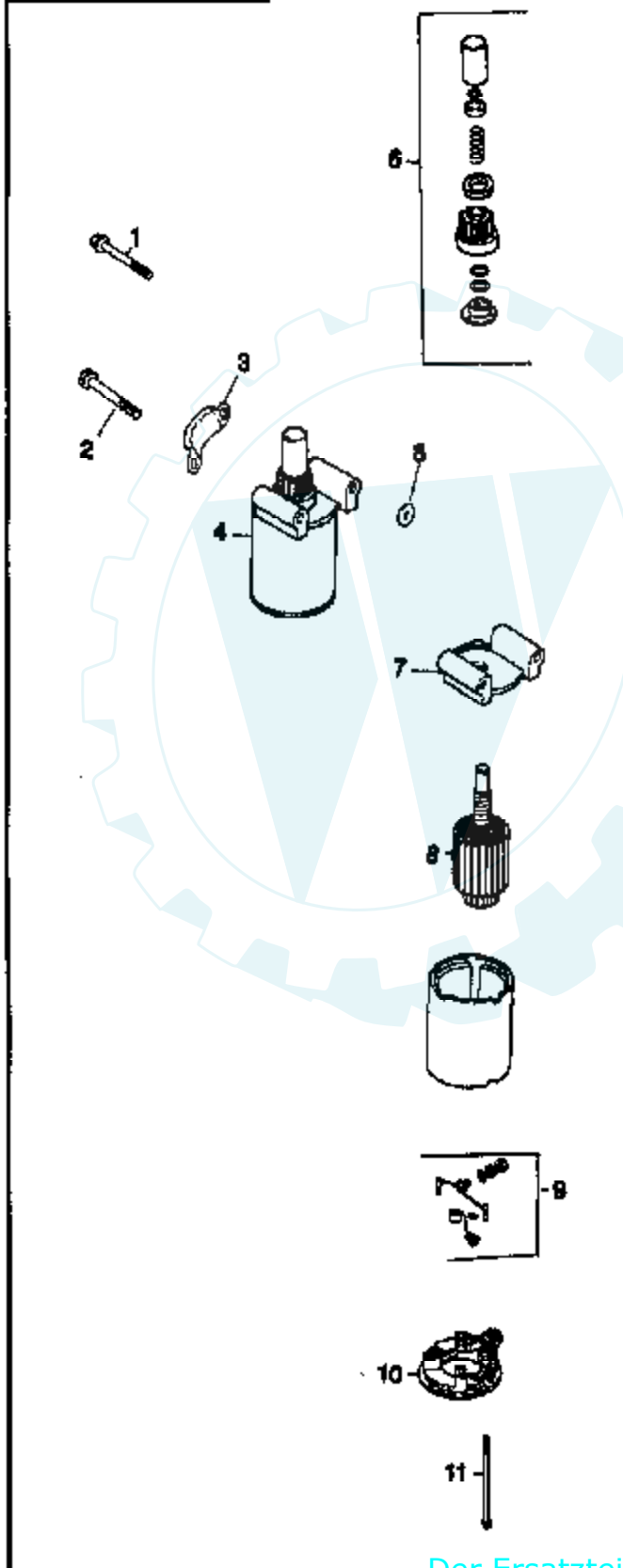
Ref #	Part Number	Qty	Description
10	24-126-43		BRACKET
11	24-109-06		CUP
12	24-041-13		GASKET
13	24-094-14		BASE
14	24-041-14		GASKET
15	24-164-06		MANIFOLD
16	24-041-01		GASKET
17	M-0519055		SCREW
	12-113-53		DECAL



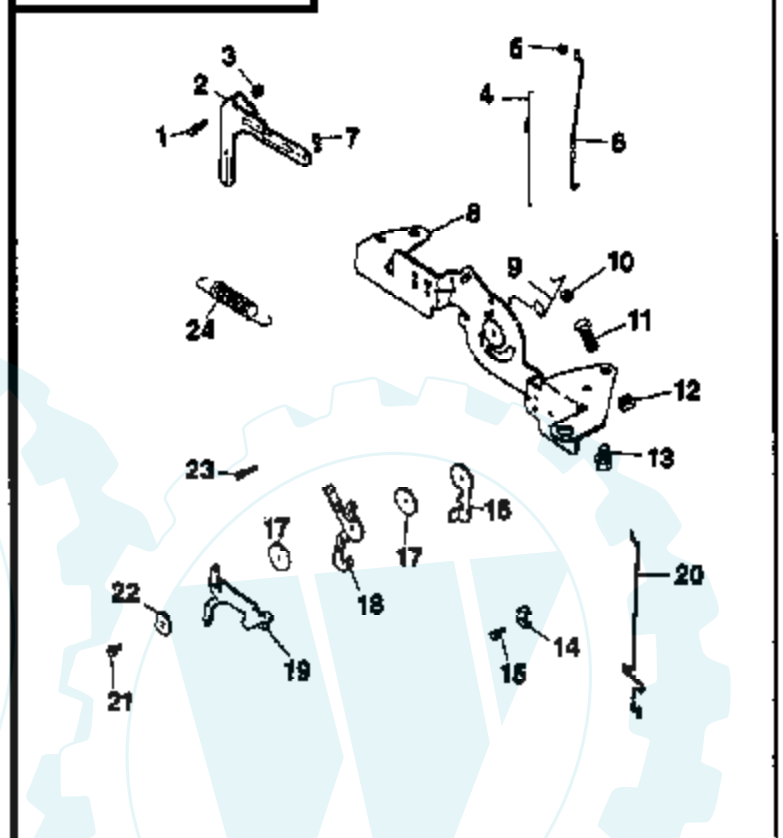
TRACTOR - - MODEL NUMBER AYP8228A69

KOHLER ENGINE - MODEL NUMBER CV22S, TYPE NUMBER 67520

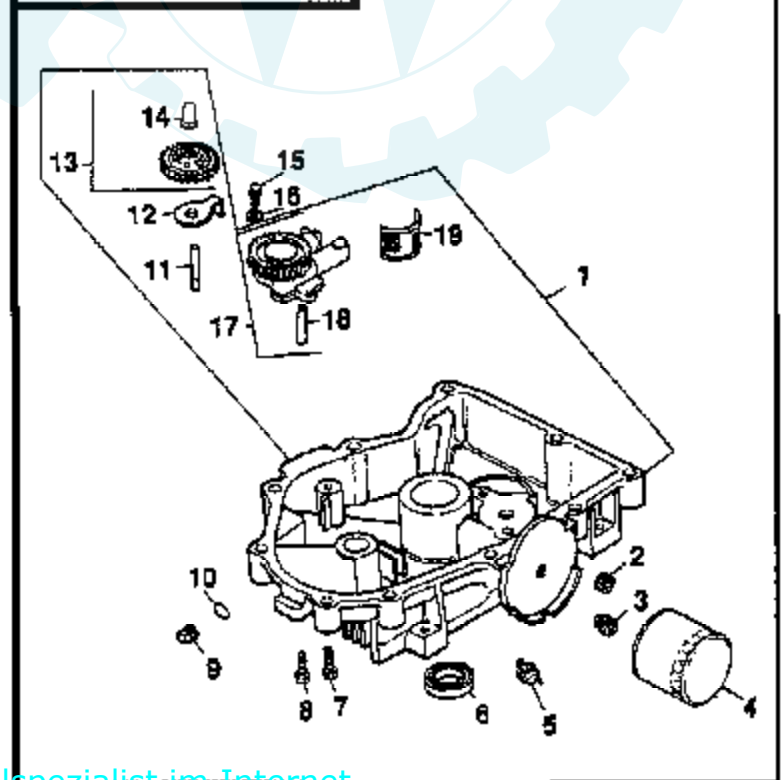
STARTING SYSTEM



ENGINE CONTROLS



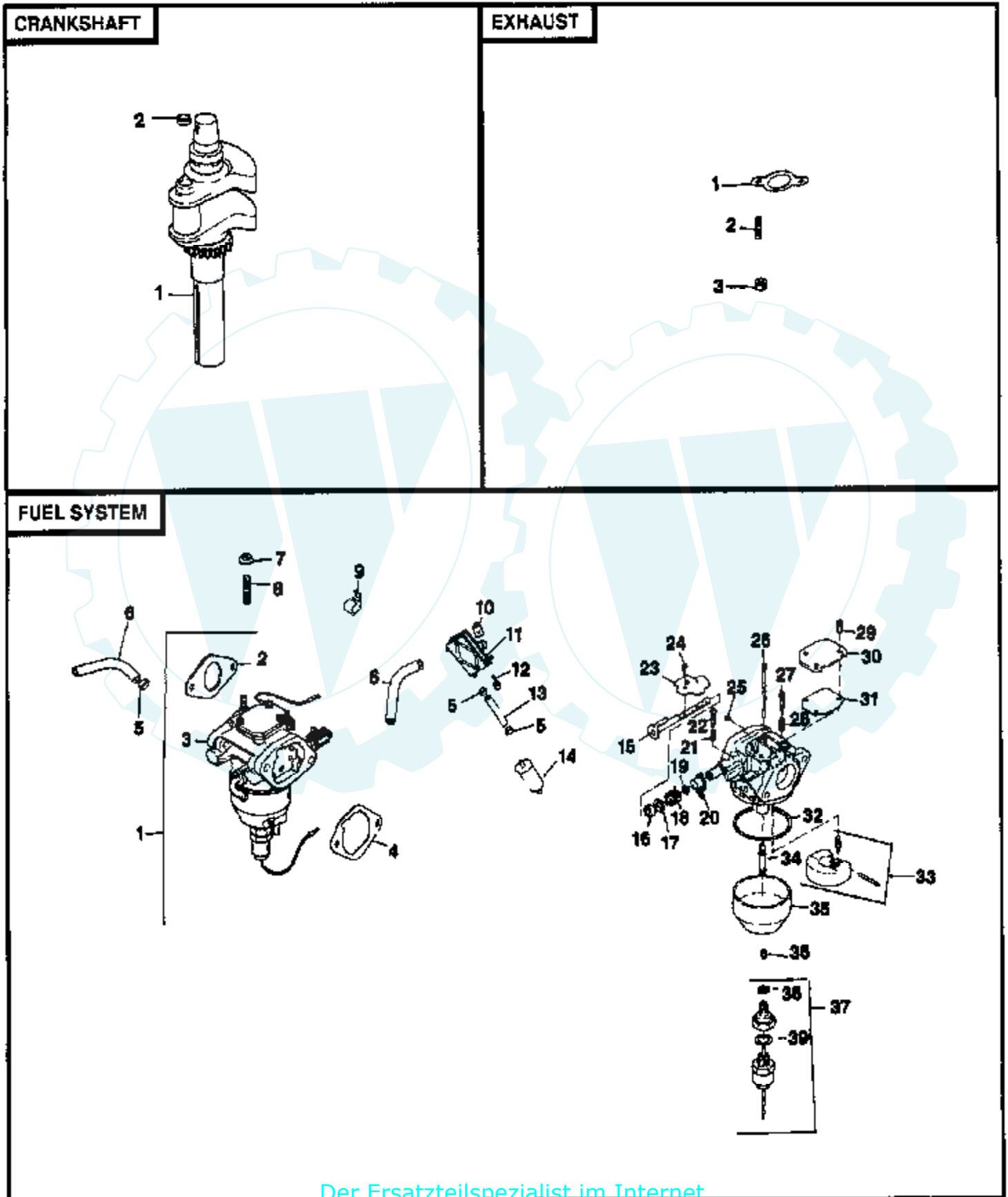
OIL PAN / LUBRICATION



Ref #	Part Number	Qty	Description
1	M-0839070		SCREW
2	M-0839080		SCREW
3	24-096-05		COVER
4	25-098-03		STARTER
5	12-468-01		WASHER
6	12-755-54		KIT, DRIVE END
7	12-227-06		CAP
8	45-170-03		ARMATURE
9	82-755-28		KIT BRUSH
10	12-227-11		CAP
11	12-086-25		BOLT
1	24-199-07		OIL PAN ASSEMBLY
2	X-75-32		PLUG
3	24-136-01		NIPPLE, OIL FILTER
4	12-050-01		FILTER, OIL
5	52-099-06		OIL PRESSURE SWITCH
6	52-032-08		SEAL, OIL
7	24-086-17		SCREW
8	24-086-16		SCREW
9	X-75-10		PLUG
10	24-153-08		O-RING
11	12-144-02		SHAFT
12	52-448-02		TAB
13	24-043-12		KIT, GOVERNOR GEAR WITH PIN
14	12-380-01		PIN
15	M-0645025		SCREW
16	M-0631005		WASHER
17	24-393-08		OIL PUMP ASSEMBLY
18	24-123-05		TUBE
19	25-162-07		SCREEN
1	SM-0642025		SCREW, GOVERNOR ARM
2	24-090-14		LEVER
3	M-0641060		NUT
4	24-089-01		SPRING
5	25-158-08		BUSHING
6	24-079-04		LINKAGE
7	25-158-11		BUSHING
8	24-126-13		BRACKET
9	24-089-03		SPRING
10	M-0547050		LOCKNUT
11	M-0545016		SCREW
12	M-0446030		NUT
13	M-0645016		SCREW
14	12-237-01		CLAMP, CABLE
15	M-0545016		SCREW
16	24-090-07		LEVER
17	24-468-01		WASHER
18	24-090-13		LEVER
19	24-090-05		LEVER
20	24-079-05		LINKAGE
21	SM-0545020		SCREW
22	41-468-03		WASHER
23	M-0403025		SCREW
24	24-089-18		SPRING

TRACTOR - - MODEL NUMBER AYP8228A69

KOHLER ENGINE - MODEL NUMBER CV22S, TYPE NUMBER 67520

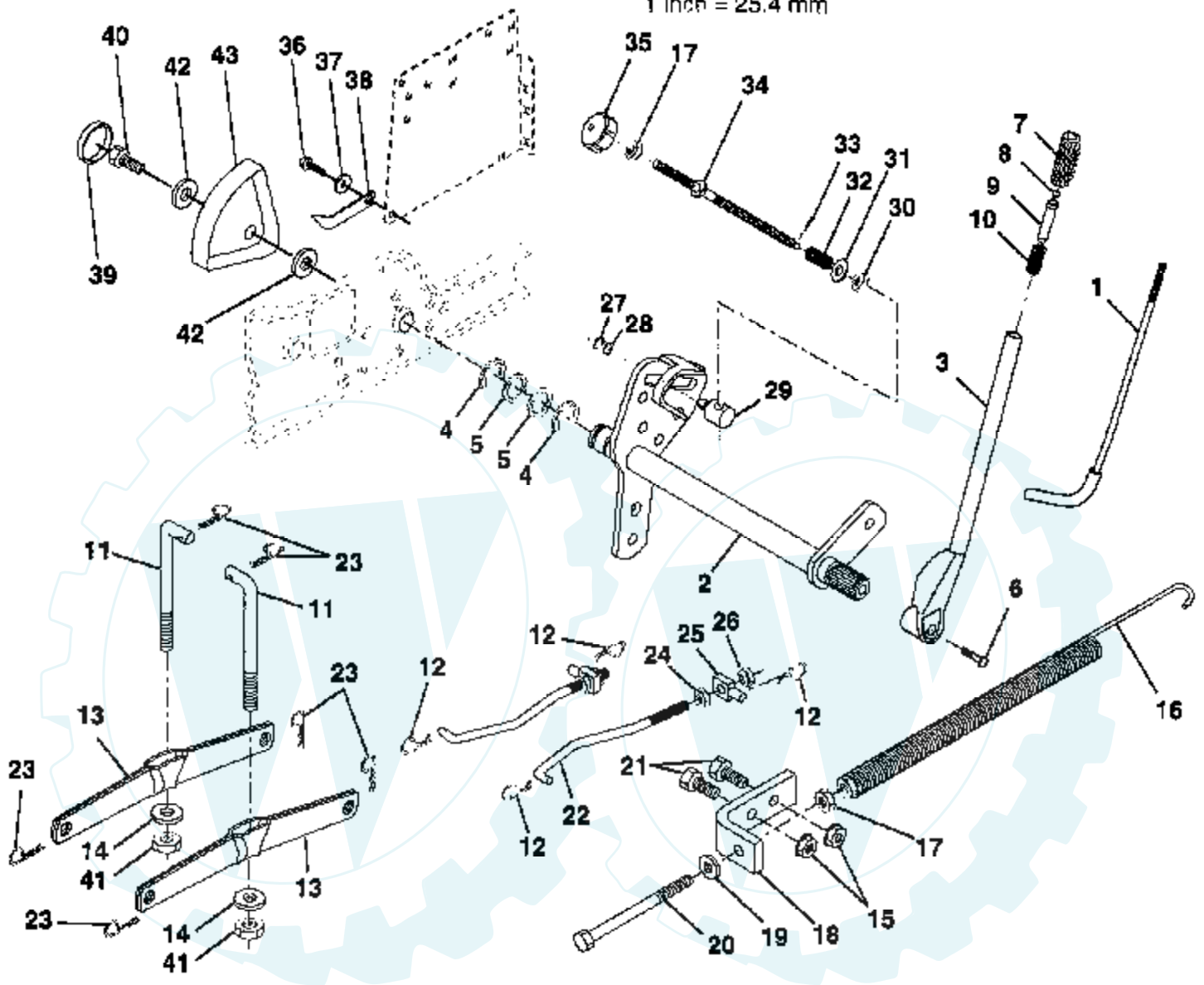


Ref #	Part Number	Qty	Description
1	24-853-19		KIT, CARBURETOR WITH GASKET
2	24-041-15		GASKET
3	24-053-19		CARBURETOR ASSEMBLY
4	24-041-14		GASKET
5	X-426-9		CLAMP, HOSE
6	24-353-03		LINE
7	M-0641060		NUT
8	M-0629095		STUD
9	47-154-01		CLIP
10	24-100-01		NUT
11	24-393-04		PUMP
12	24-086-12		SCREW
13	25-353-03		LINE
14	25-050-03		FILTER FUEL
15	24-144-15		SHAFT
16	24-468-05		WASHER
17	24-241-01		COLLAR
18	24-089-22		SPRING
19	24-141-04		RING
20	24-090-10		LEVER
21	24-089-24		SPRING
22	24-086-19		SCREW
23	24-146-13		CHOKE PLATE
24	24-086-20		SCREW
25	24-337-27		JET, AIR BLEED
26	24-337-11		JET, SLOW
27	24-086-22		SCREW
28	24-089-23		SPRING
29	24-086-21		SCREW
30	24-096-13		COVER
31	24-041-18		GASKET
32	24-041-19		GASKET
33	24-757-05		KIT, FLOAT REPAIR
34	24-369-01		NOZZLE
35	24-234-01		CHAMBER
36	24-337-20		JET, MAIN
37	24-755-15		KET, SOLENOID VALVE
38	24-041-21		GASKET
39	24-041-20		GASKET
	24-041-15		GASKET
	24-757-06		KIT, CARBURETOR REPAIR
	24-755-72		KIT, HIGH ALTITUDE
	24-755-73		KIT, HIGH ALTITUDE
1	24-014-72		CRANKSHAFT
2	52-139-09		PLUG, CUP
1	24-041-02		GASKET
2	M-0829033		STUD. EXHAUST MANIFOLD
3	M-0841080		NUT
	24-522-16		SHORT BLOCK
	24-755-03		GASKET SET
	24-782-05		MINIBLOCK

TRACTOR - - MODEL NUMBER AYP8228A69

LIFT ASSEMBLY

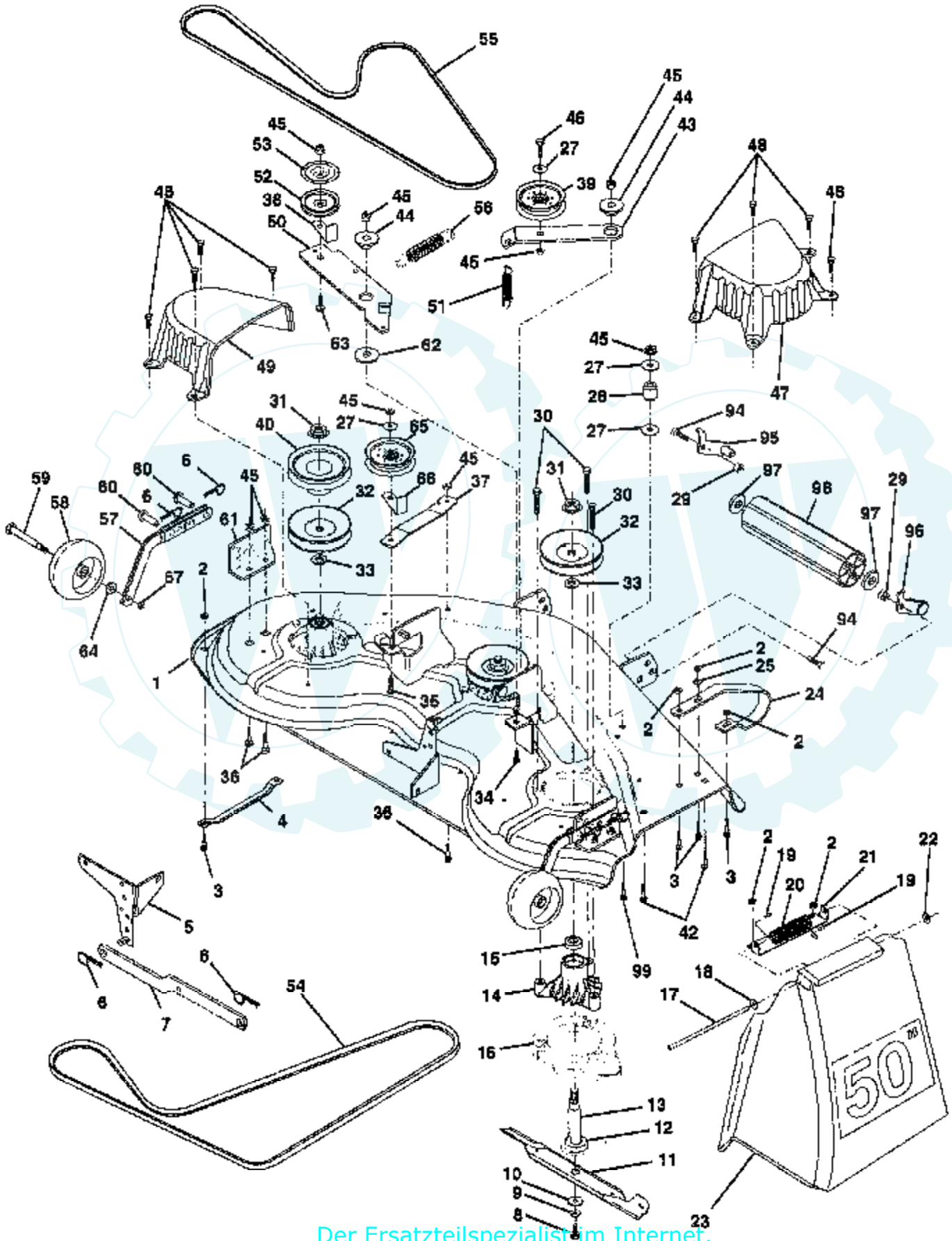
NOTE: All component dimensions given in U.S. inches
1 inch = 25.4 mm



Ref #	Part Number	Qty	Description
1	121006X		LEVER ROD LT
2	145542		SHAFT.LIFT.VGT.95
3	121002X		SUB= 123096X
4	12000022		E-RING
5	19292016		WASHER
6	74780624		"BOLT,HEX"
7	125631X		GRIP HANDLE
8	122365X		SUB= 125925X
9	122364X		SUB= 125925X
10	2876H		SPRING T
11	146704		LINK.LIFT.MWR.VGT
12	3146R		RETAINER.SPRING
13	139868		ARM SUSP REAR
14	140302		BEARING PVT LH
15	73680600		SUB= 73690600
16	674A247		SUB= 918674A247
17	73350600		NUT
18	143363		BRACKET SPRING AS
19	19131316		WASHER
20	5328J		BOLT-ADJ SPRING T
21	74760616		BOLT
22	127218		LINK.FRONT
23	4939M		SUB= 85902
24	73350800		NUT
25	130171		TRUNION
26	73800800		NUT.LK.W/WSH.1/2.
27	12000037		KLIP RING
28	19151216		WASHER
29	110810X		TRUNION LT
30	110807X		NUT T
31	19131016		WASHER
32	137150		SPRING.COMP.INF.H
33	76020308		SUB= 3145
34	137167		ROD.ADJ.LIFT
35	138057		KNOB INF 3/8-16
36	17490612		SCREW
37	120529X		WASHER T
38	123933X505		POINTER HGT IND
39	123935X		"PLUG,HOLE"
40	17490512		SCREW
41	73540600		NUT.CROWNLOCK.3/8
42	19112410		WASHER
43	123934X		HEIGHT INDICATOR

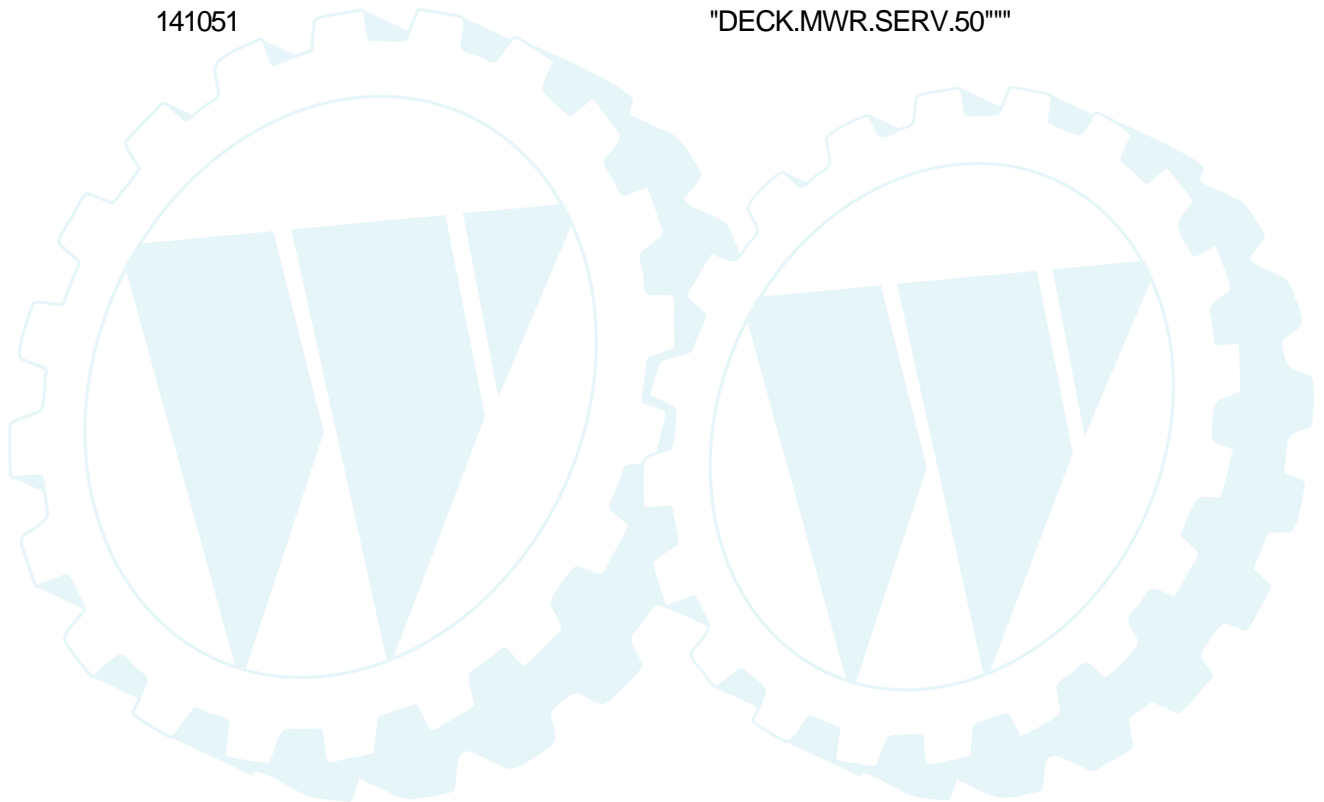
TRACTOR - - MODEL NUMBER AYP8228A69

MOWER DECK



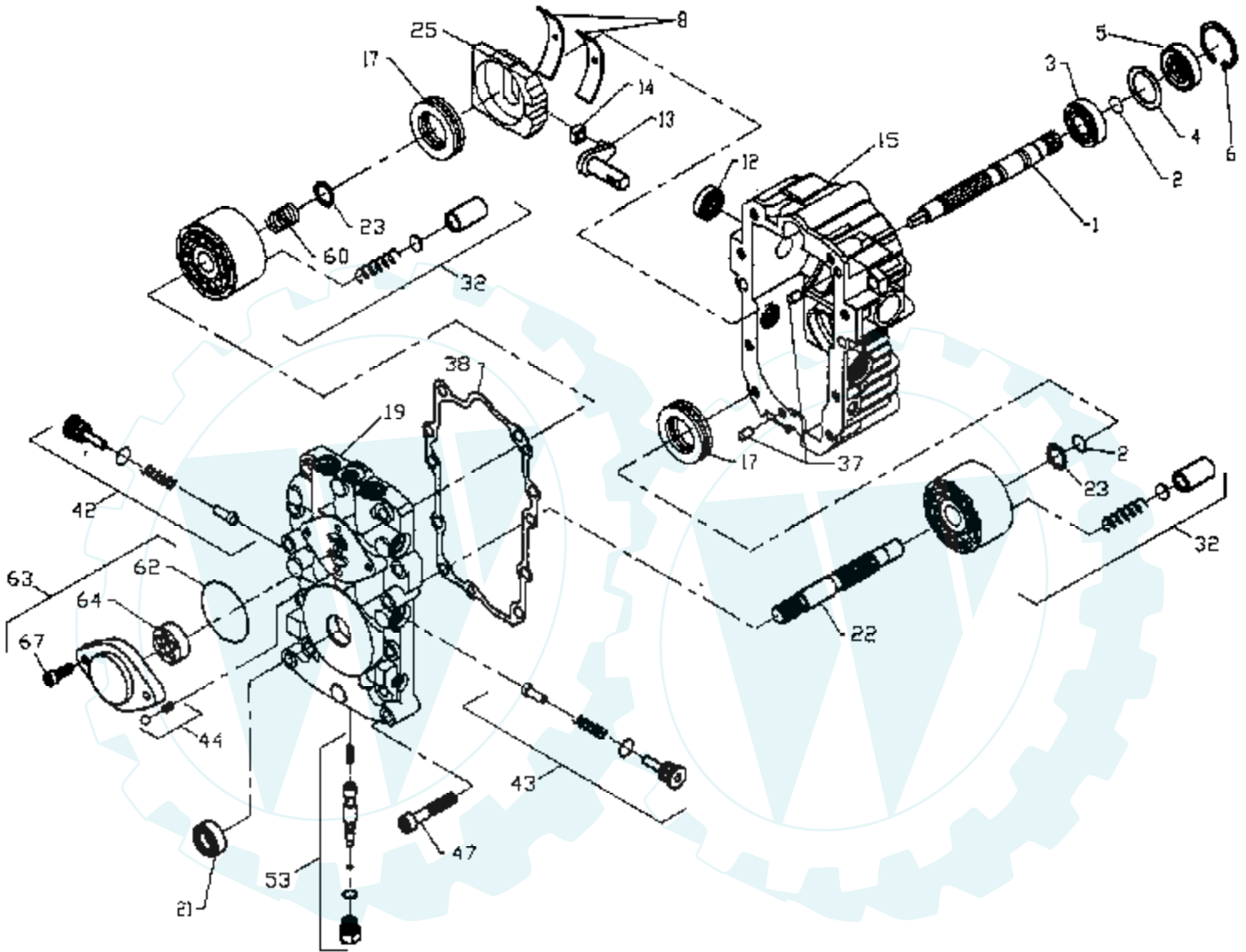
Ref #	Part Number	Qty	Description
1	136457		DECK ASM MWR 50VT
2	73680500		SUB= 73690500
3	72110506		SUB= 72270506
4	7631J		RUNNER-LH M
5	138457		BRKT.ASM.SW.44/50
6	4939M		SUB= 85902
7	130832		SUB= 130833
8	850857		BLADE BOLT
9	10030600		SUB= 10040600
10	140296		WASHER.HARD.BLADE
11	137380		"BLADE.50"" HD"
12	129895		BEARING.BALL
13	137553		SHAFT.ASM.W/BRNG
14	137152		HOUSING.MAND.44.V
15	110485X		BEARING
16	140329		STRIPPER RND MWR
17	106735X		ROD-HINGE T
18	19111016		WASHER
19	105304X		CAP-SLEEVE LT
20	123713X		SPRING TORSION
21	137607		BRKT DEFLECTOR
22	110452X		NUT PUSH M
24	136320		"RUNNER RH 50"" DK"
25	19111216		WASHER M
27	19131316		WASHER
28	132823		SUB= 532132823
29	73800600		NUT
30	138776		SUB= 157722
31	137266		SUB= 139729
32	129861		SUB= 153535
33	129963		WASHER
34	72140610		BOLT.3/8-14X1.25
35	72110610		BOLT RDHD 3/8-16
35	72110616		BOLT
36	72110608		BOLT D
37	137166		STIFFENER.ARM.IDL
38	137554		SUB= 918137554
39	131494		FLAT IDLER PULLEY
40	136572		"PULLEY.DRIVEN.44"""
42	72140506		BOLT
43	136460		"ARM.IDLER.SEC.44"""
44	122052X		SPACER RETAINER
45	73680600		SUB= 73690600
46	74760628		BOLT
47	137200		"COVER.MAND.RH.44"""
48	137729		SCREW.1/4-20X5/8
49	136574		COVER.MANDREL.LH
50	137272		ARM.IDLER.PRIMARY
51	137273		"SPRING.SEC.44""VEN"
52	139245		PULLEY.IDLER.VGRO
53	137789		SHIELD.IDLER.44.V
54	139573		BELT V PRIM 50
55	144959		BELT-V.SEC.46.KEL
56	138687		SPRING.EXT.DECK.
57	136577		BAR.ASM.GUAGE.WHL
58	133957		WHEEL GAGE DONUT
59	137644		BOLT SHOULDER
60	139031		PIN.CLEVIS

Ref #	Part Number	Qty	Description
61	136573		BRACKET.GUAGE.WHL
62	133943		HARDENED WASHER
63	72110612		BOLT.3/8-16X1.50
64	19121414		WASHER
65	102403X		IDLER-FLAT T
66	139622		SUB= 918139622
67	73930600		LOCKNUT
94	74760616		BOLT
95	132274		SUB= 532132274
96	132273		SUB= 532132273
97	19171416		WASHER
98	132264		SUB= 532132264
99	72110614		BOLT
	143651		MANDREL SERV ASM
	141051		"DECK.MWR.SERV.50""



TRACTOR - - MODEL NUMBER AYP8228A69

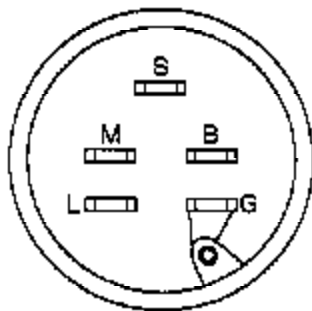
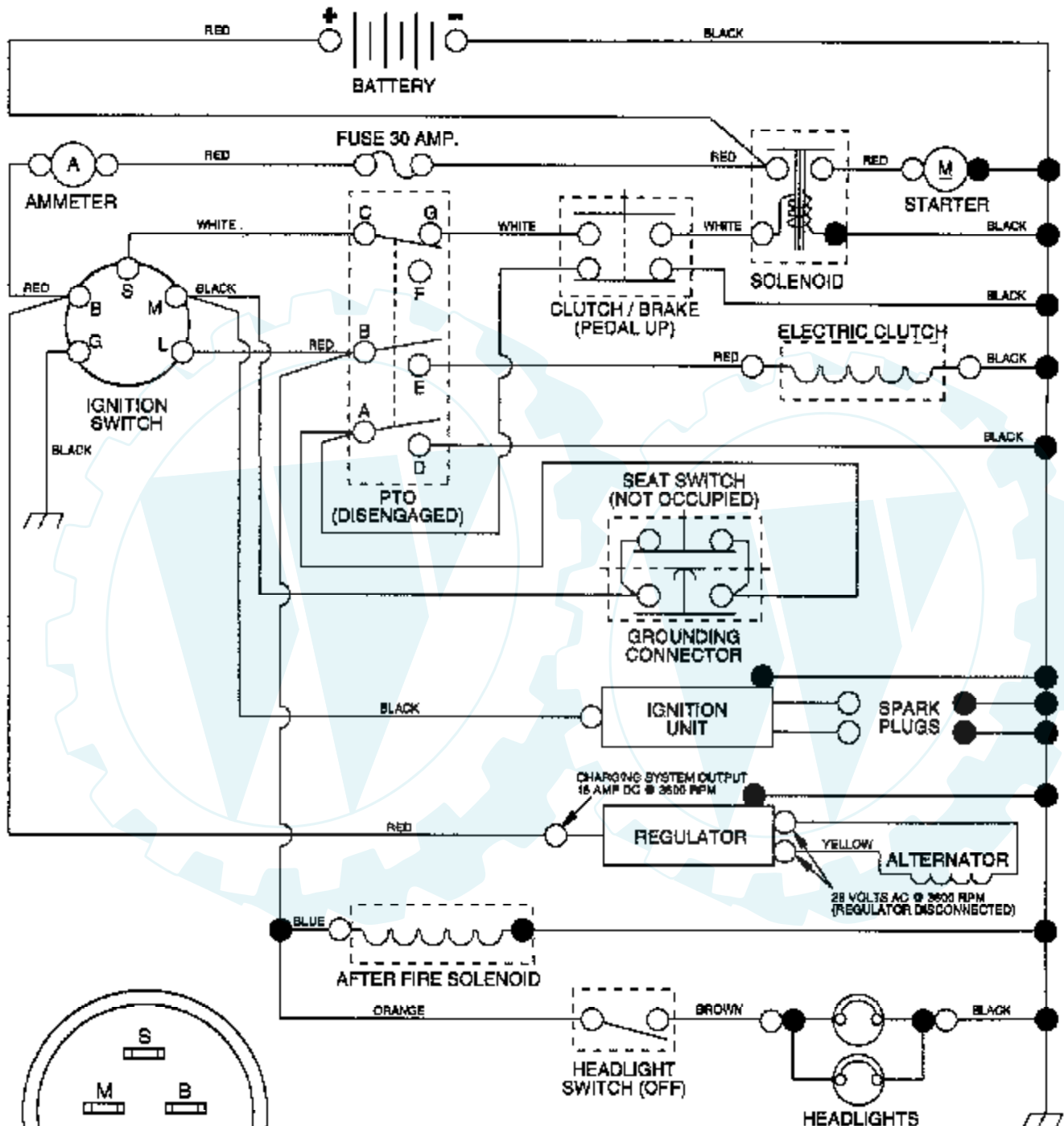
PUMP ASSEMBLY - - MODEL NUMBER BDU -10L-118



Ref #	Part Number	Qty	Description
1	144569		SHAFT.PUMP.50158
2	122716X		RETAINIANG RING-(2003016)
3	122745X		BALL BEARING
4	122715X		SPACER
5	122700X		SEAL LIP
6	122699X		RING.RET.2003052
8	122767X		CRADLE BEARING (2003023)
12	122717X		SEAL.9008000-0126
13	122748X		TRUNION ARM (2003005)
14	122749X		GUIDE.2000015.HYD
15	144571		KIT.HSG.2513035.
17	122770X		SUB= 142936
19	144572		KIT.CENT.2513006
21	122722X		LIP SEAL-9008000-0127
22	144573		SHAFT.MOT.2003034
23	142978		WASHER.2003017
25	127148X		"SWASHPLATE,VARIAB"
32	142938		BLOCK.CLYN.70079.
37	122786X		PIN
38	122718X		GASKET.20030600
42	144578		KIT.VALVE.2510050
43	144578		KIT.VALVE.2510050
44	144579		KIT.RELI.2510011.
47	122752X		SCREW9007314-0808
53	127153X		"KIT,BYPASS VALVE"
60	142977		SPRING.2003014.
62	144581		ORING.90041011340
63	144582		KIT.CHARG.2513027
64	144583		GEROTOR.J1041008
67	144584		SCREW.CAP.50095.
	144576		PUMP.BD-10L-118

TRACTOR - - MODEL NUMBER AYP8228A69

SCHEMATIC



IGNITION SWITCH

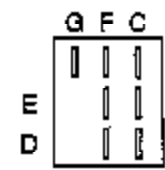
POSITION	CIRCUIT
OFF	M + G
ON	B + L
START	B + S + L

● — NON-REMOVABLE CONNECTIONS

○ — REMOVABLE CONNECTIONS

WIRING INSULATED CLIPS

NOTE: IF WIRING INSULATED CLIPS WERE REMOVED FOR SERVICING OF UNIT, THEY SHOULD BE REPLACED TO PROPERLY SECURE YOUR WIRING



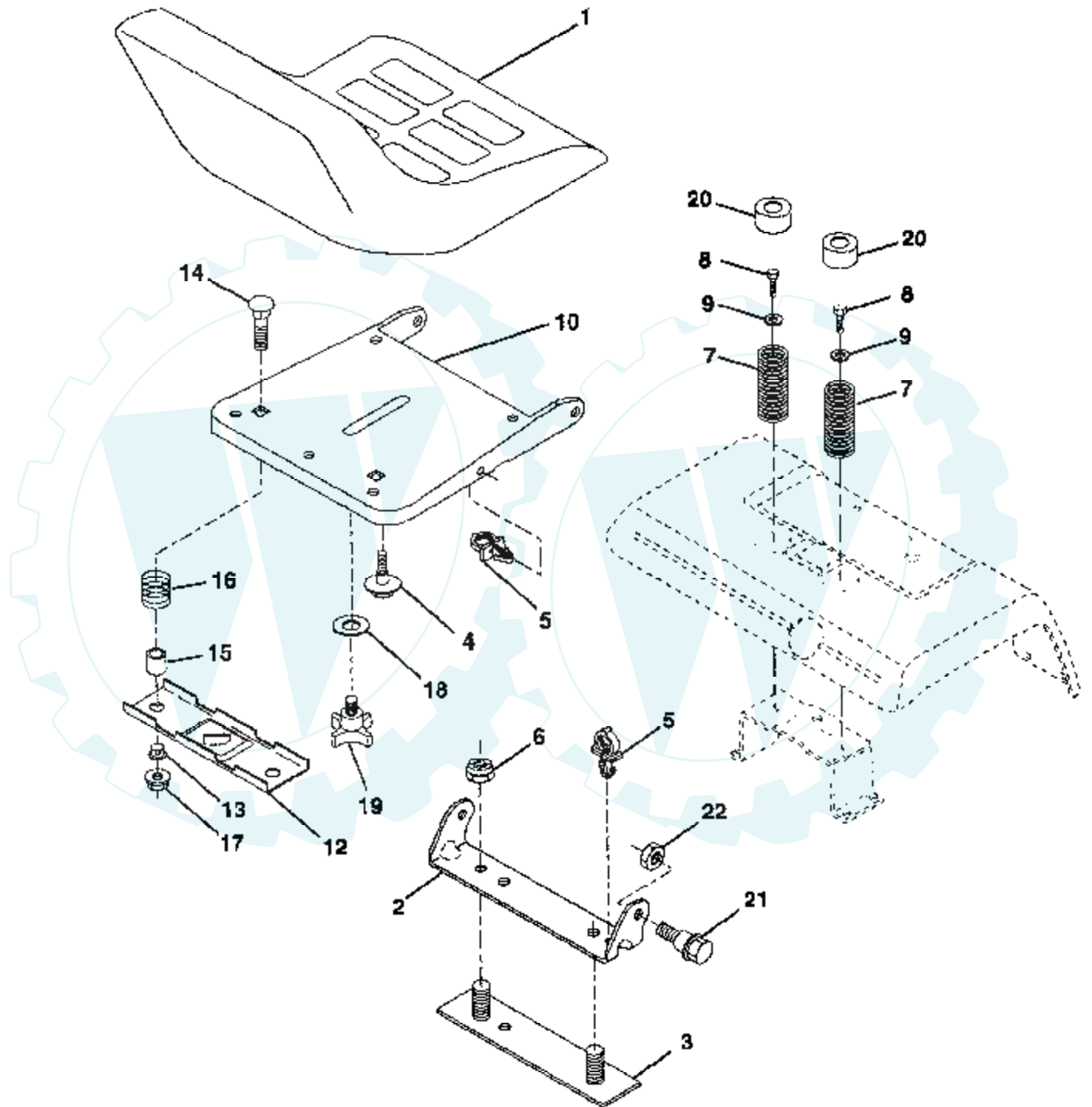
PTO SWITCH

POSITION	CIRCUIT
OFF	C + G
ON	C + F, B + E, A + D

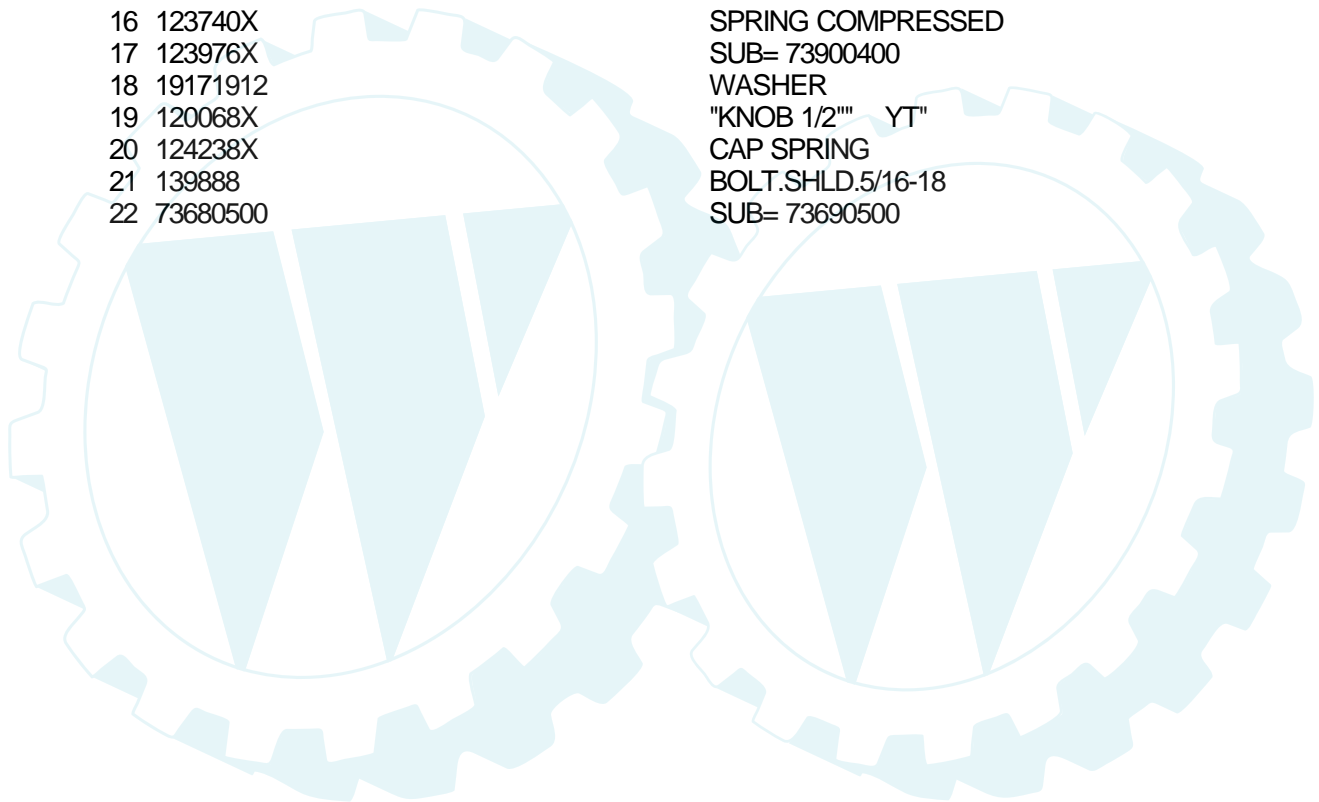
TRACTOR - - MODEL NUMBER AYP8228A69

SEAT ASSEMBLY

NOTE: All component dimensions given in U.S. Inches
1 inch = 25.4 mm

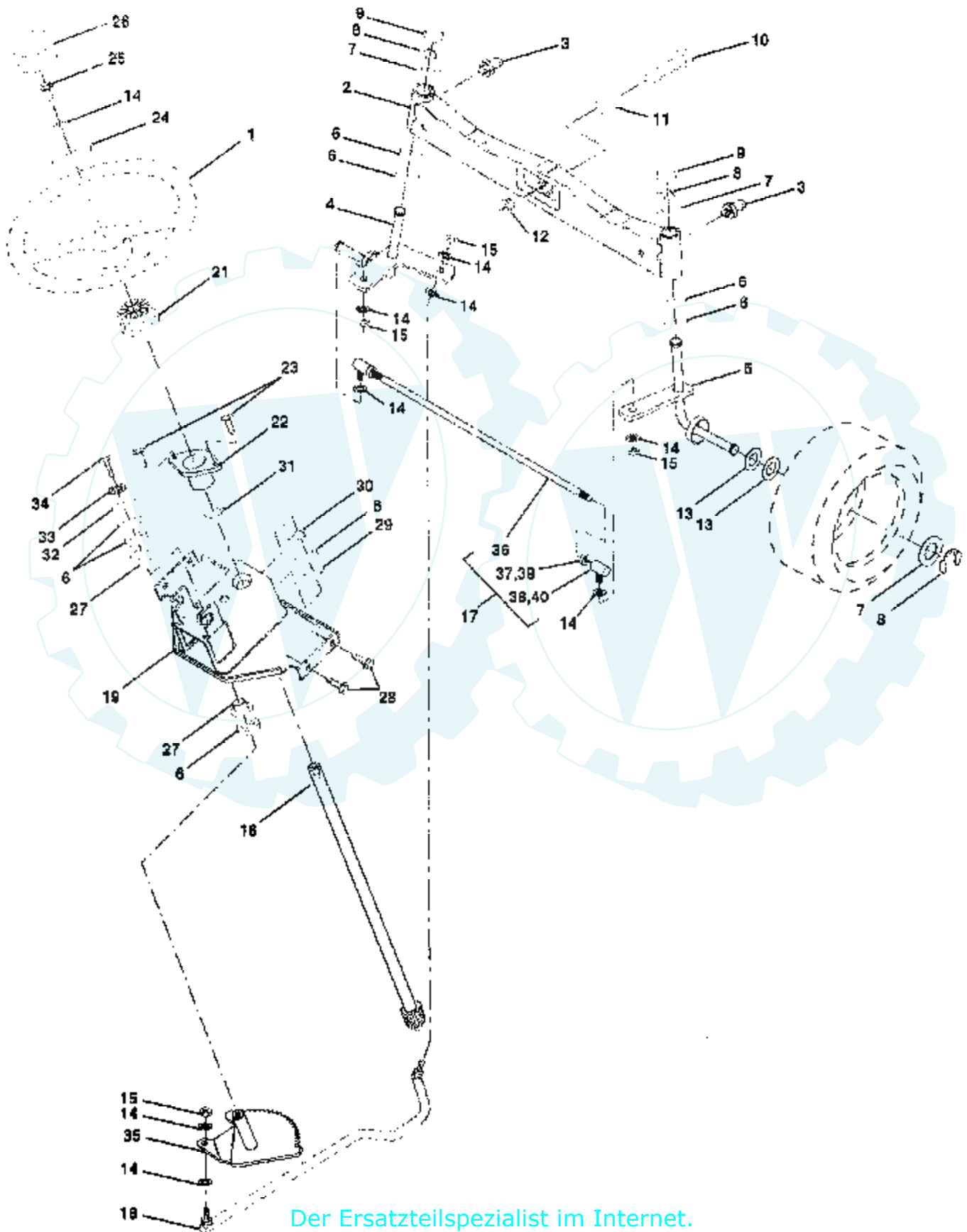


Ref #	Part Number	Qty	Description
1	127440		SUB= 140121
2	140551		BRACKET PVT SEAT
3	140675		STRAP ASM FENDER
4	127018X		"BOLT,SHOULDER"
5	145006		CLIP.PUSH-IN.HING
6	73800600		NUT
7	124181X		SPRING COMPRESSIO
8	17490508		SCREW LT
9	19131614		WASHER
10	140552		SUB= 155925
12	121246X		BRKT SWITCH
13	121248X		BUSHING
14	72050411		SUB= 872050411
15	121249X		SPACER SPLIT
16	123740X		SPRING COMPRESSED
17	123976X		SUB= 73900400
18	19171912		WASHER
19	120068X		"KNOB 1/2" YT"
20	124238X		CAP SPRING
21	139888		BOLT.SHLD.5/16-18
22	73680500		SUB= 73690500



TRACTOR -- MODEL NUMBER AYP8228A69

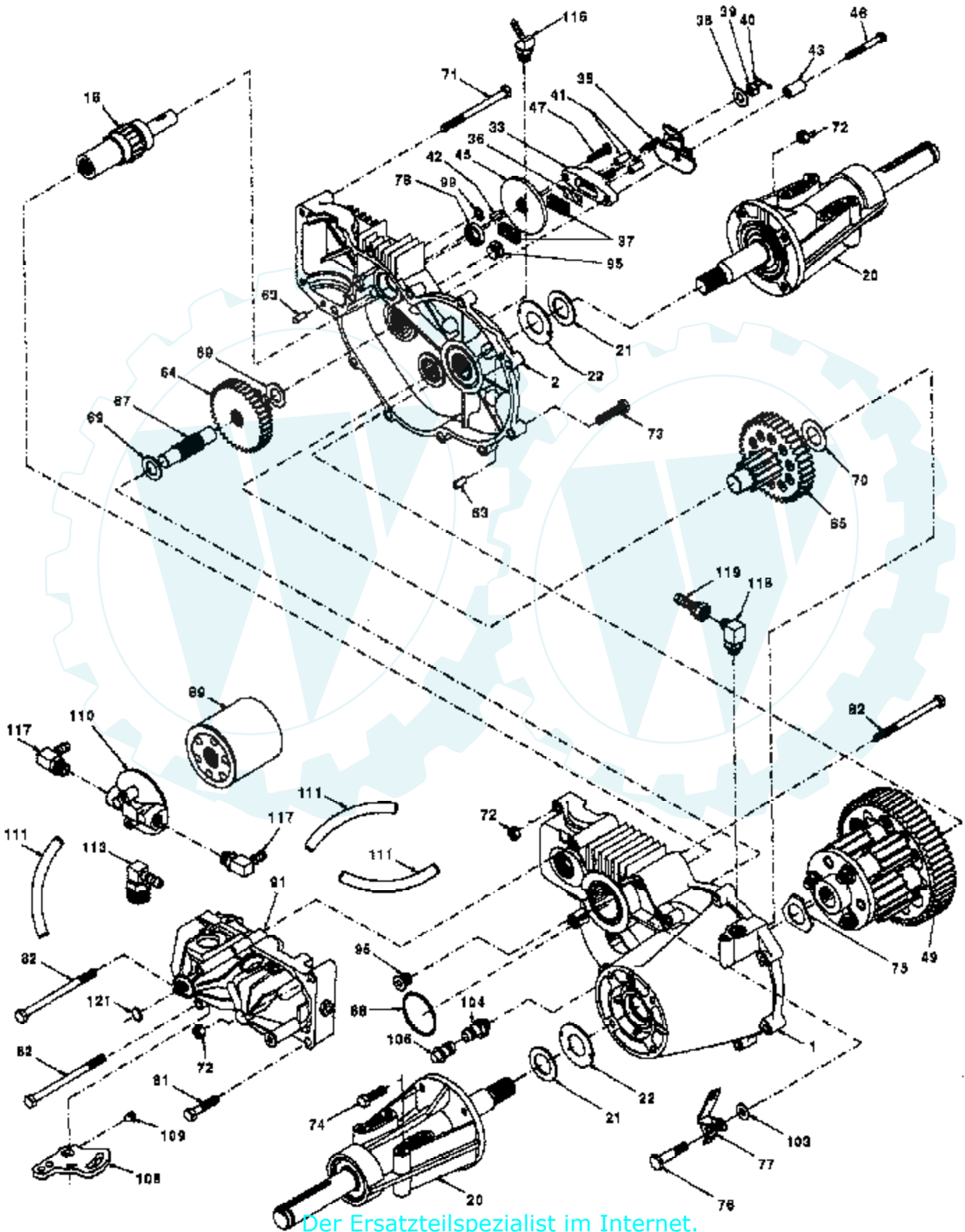
STEERING ASSEMBLY



Ref #	Part Number	Qty	Description
1	121472X		SUB= 150546
2	137094		SUB= 532137094
3	6855M		ZERK M
4	136960		SPINDLE.ASM.LH
5	136959		SUB= 918136959
6	6266H		WASHER .T
7	121748X		WASHER
8	12000029		RING
9	121232X		CAP
10	74781044		BOLT
11	136518		SPACER BEARING
12	73901000		"NUT-LOC,FLANGE LT"
13	121749X		WASHER
14	10040600		LOCKWASHER
15	73610600		SUB= 7810H
16	145103		SHAFT.STEER.VGT
17	137347		ROD.ASM.TIE.BALL
18	137155		DRAGLINK.BALL.JOI
19	146611		SUB= 144673
21	100711L		ADAPTER LT
22	1554J		SUB= 155108
23	17431008		SUB= 98000165
24	19133808		WASHER T
25	74780616		BOLT
26	126805X		"INSERT,STR WHEEL"
27	3366R		COL. SRTG. BEAR.
28	17490612		SCREW
29	104239X		"FLANGE GT, BEAR."
30	12000034		KLIP RING
31	138136		BUSHING.NYLINER.
32	19111610		WASHER
33	10040500		LOCKWASHER
34	74760512		BOLT
35	138059		GEAR.ASM.SECTOR.
36	137156		SUB= 137347
37	73360600		NUT
38	109850X		JOINT.RH
39	73700600		NUT
40	109851X		JOINT.LH

TRACTOR - - MODEL NUMBER AYP8228A69

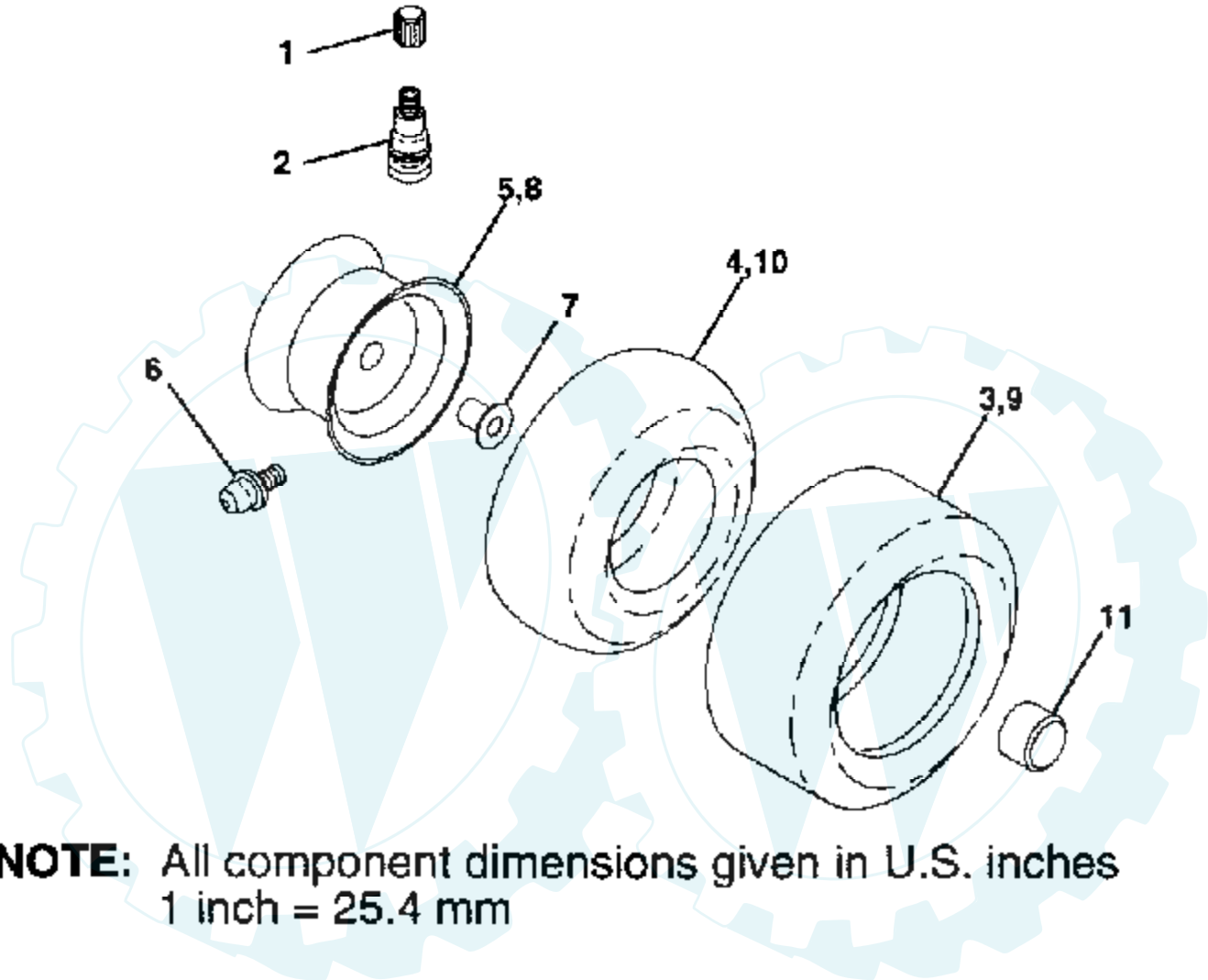
TRANSAXLE



Ref #	Part Number	Qty	Description
1	142874		HOUSING LH 70086
2	142875		HOUSING RH 70088
16	142876		SHAFT BRAKE 62877
20	142877		AXLE MTG 70087
21	142878		WASHER 44805
22	142879		WASHER 44806
33	142929		YOKE.BRAKE.62589
35	142880		ARM BRAKE 50214
36	142882		PUCK PLATE 44134
37	142883		PUCK BRAKE 44132
38	142884		WASHER HYD 44130
39	142885		SUB= 144607
40	142886		SUB= 144608
41	142887		PIN BRAKE 44127
42	142888		KEY HI PRO 44143
43	142889		SPACER 50259
45	142890		DISC BRAKE 44090
46	142891		BOLT 1/4-20 44276
47	142892		BOLT 1/4-20 44433
49	142893		DIFFERENTIAL62834
63	142894		PIN DOWL 44757
64	142896		GEAR R14-38 44775
65	142897		PINION DRIV 70051
67	142898		SHAFT-44779
68	142899		O RING 44781
69	142900		WASHER 44795
70	142901		WASHER 44794
71	142902		BOLT 5/16 44827
72	142903		NUT HXLK 43064
73	142904		BOLT 5/16 44841
74	142905		SCREW 5/16 45089
75	142906		WASHER DIF 44880
76	142907		BOLT SHOULD 44785
77	142907		BOLT SHOULD 44785
78	142909		SEAL.OIL.44761
81	142910		BOLT 5/16 43084
82	142911		BOLT 5/16 44820
89	142912		FILTER SPIN 50037
91	142913		SUB= 144576
95	142914		PLUG.9005110-5600
99	142915		SUB= 142904
103	142916		WASHER.50169
104	142917		CAP.VENT.70109
106	142918		O-RING.ASM.70110
108	142919		ARM.CONTROL.45007
109	142920		SCREW.SET.50018.
110	142921		FILTER.HEAD.50207
111	142922		HOSE.5/16.50208.
113	142923		FITTING.SAE.50210
116	142924		FITTING.SAE.50213
117	142925		FITTING.SAE.50249
118	142926		FITTING.MAL.50251
119	142927		FITTING.FEM.50250
121	142928		RING.RET.2003016.

TRACTOR - - MODEL NUMBER AYP8228A69

WHEELS & TIRES



NOTE: All component dimensions given in U.S. inches
1 inch = 25.4 mm

Ref #	Part Number	Qty	Description
1	59192		VALVE CAP
2	65139		VALVE STEM LT
3	106230X		SUB= 122075X
4	8134H		TUBE.16X6.5/7.5-8
5	106228X427		"RIM ASM 8" FRT"
6	6856M		ZERK FITTING M
7	9040H		"FLANGE, BEARING"
8	106277X427		"RIM ASM 12" REAR"
9	105588X		SUB= 122077X
10	7154J		TUBE.23X8/10-12
11	104757X		HUB CAP
	144334		SEALANT.TIRE 10 OZ. TUBE

