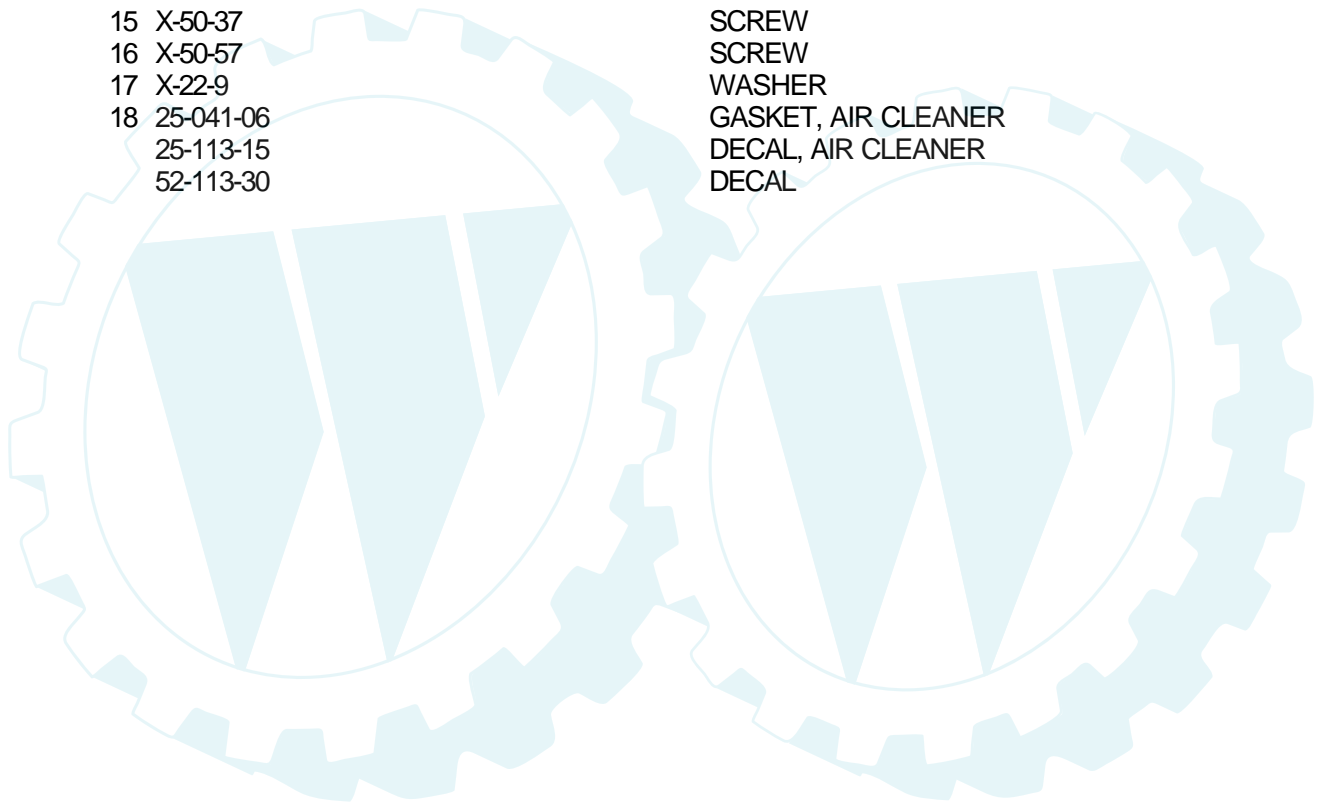
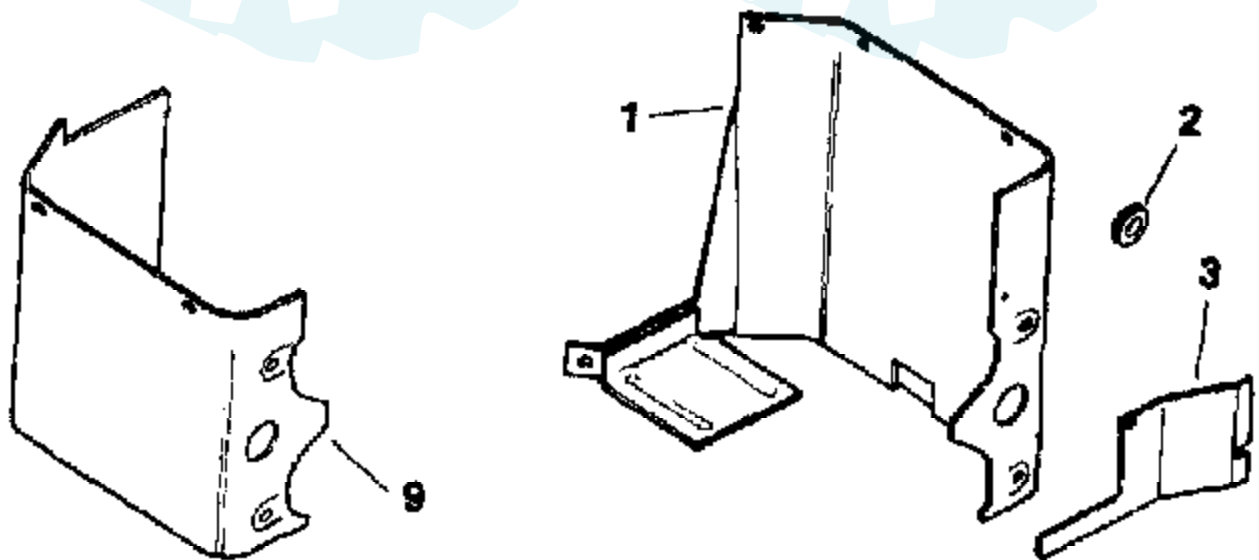
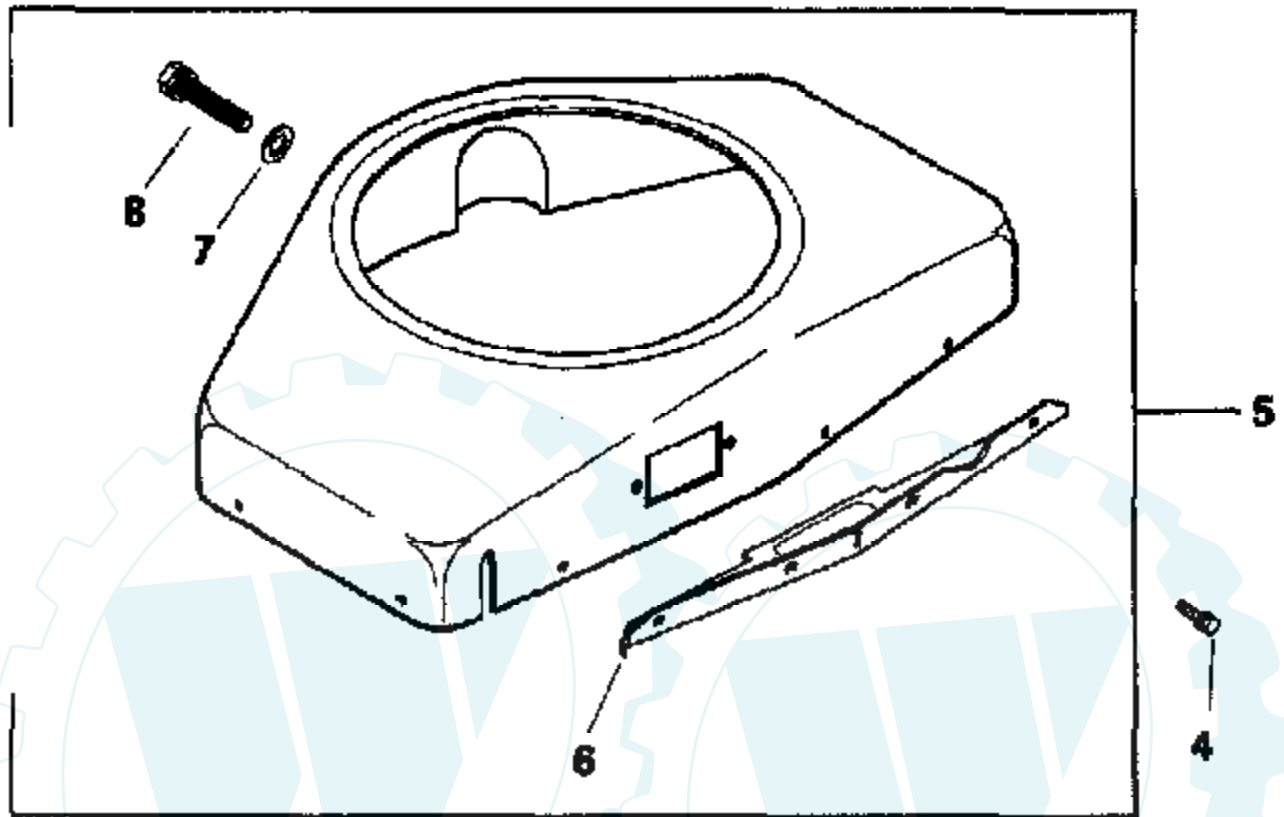


Ref #	Part Number	Qty	Description
1	X-276-7		WING NUT
2	52-755-83		KIT
3	52-096-35		COVER AIR CLEANER
4	52-123-21		TUBE AIR INTAKE
5	231032		SEAL ELEMENT
6	52-082-04		COVER AIR CLEANER ELEMENT
7	45-083-01		PRE-CLEANER
8	45-083-02		ELEMENT
9	237423		SEAL
10	X-67-98		SCREW
11	52-201-06		BASE
12	277093		GASKET
13	52-054-39		ELBOW AIR INTAKE
14	X-25-79		WASHER
15	X-50-37		SCREW
16	X-50-57		SCREW
17	X-22-9		WASHER
18	25-041-06		GASKET, AIR CLEANER
	25-113-15		DECAL, AIR CLEANER
	52-113-30		DECAL

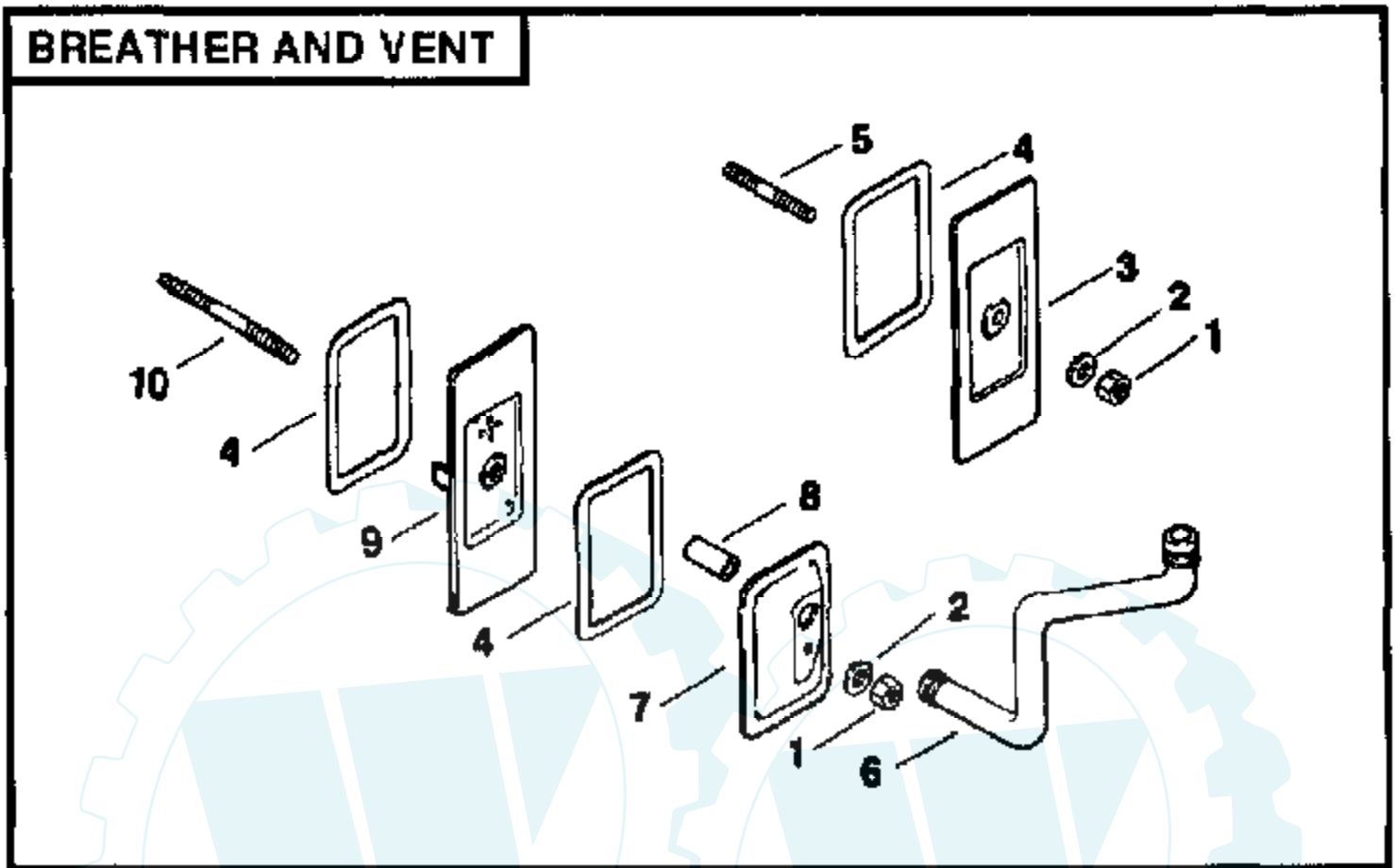


BAFFLES AND SHROUD



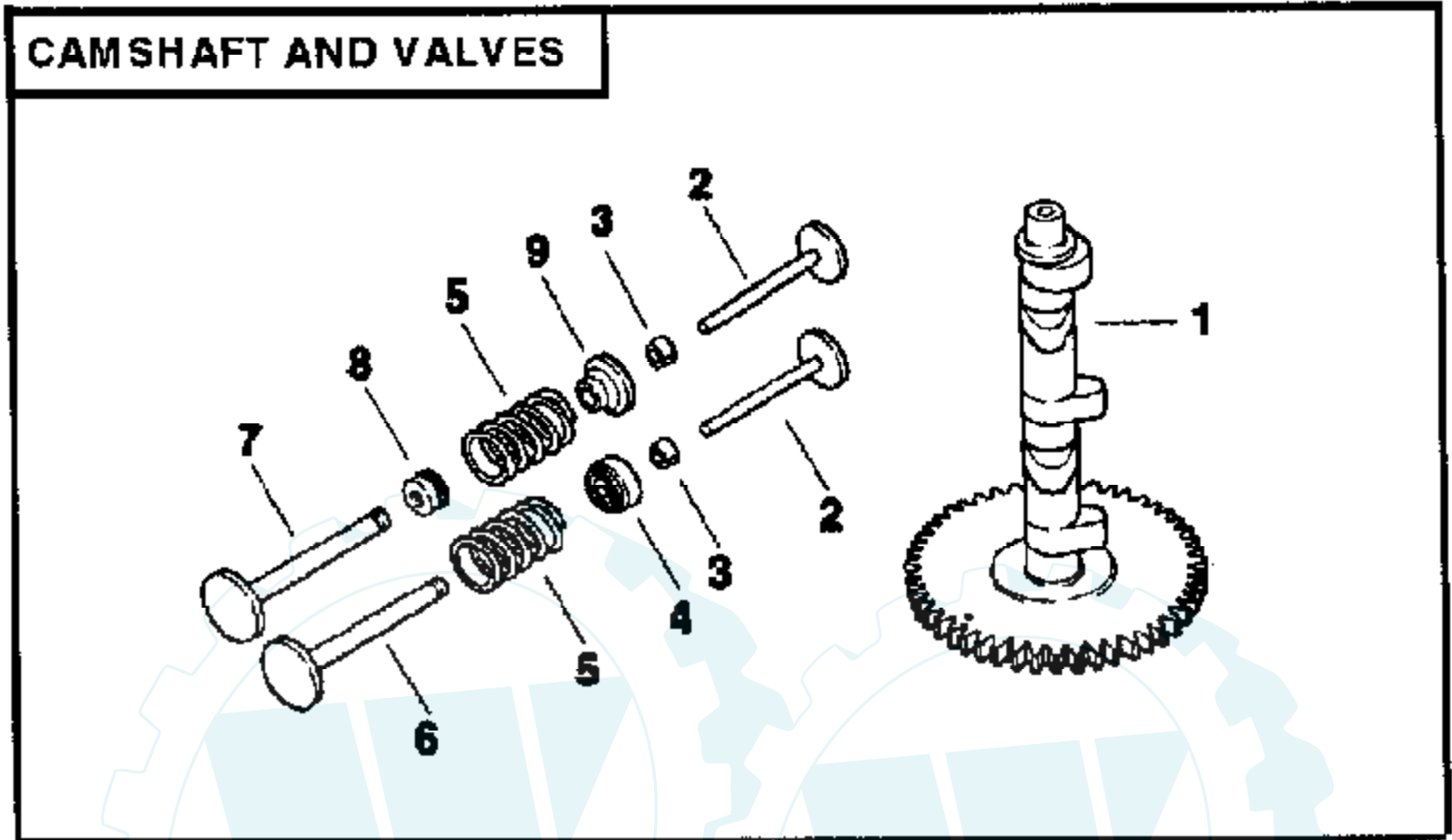
Ref #	Part Number	Qty	Description
1	52-063-41		BAFFEL, #2 HEAD
2	52-313-05		GROMMET
3	52-063-42		BAFFLE, FUEL PUMP
4	X-67-83		SCREW
5	52-755-70		KIT
6	52-217-01		SUPPORT
7	52-468-16		WASHER
8	52-086-11		SCREW
9	52-124-23		BAFFLE, #1 HEAD
	52-113-46		DECAL, HORSEPOWER(3)





Ref #	Part Number	Qty	Description
1	X-81-1		NUT
2	X-25-12		WASHER
3	52-096-55		COVER
4	52-055-01		GASKET
5	X-352-39		STUD
6	52-326-12		HOSE
7	52-096-08		COVER
8	52-032-04		SEAL BREATHER
9	52-035-02		BREATHER ASSY
10	275220		STUD

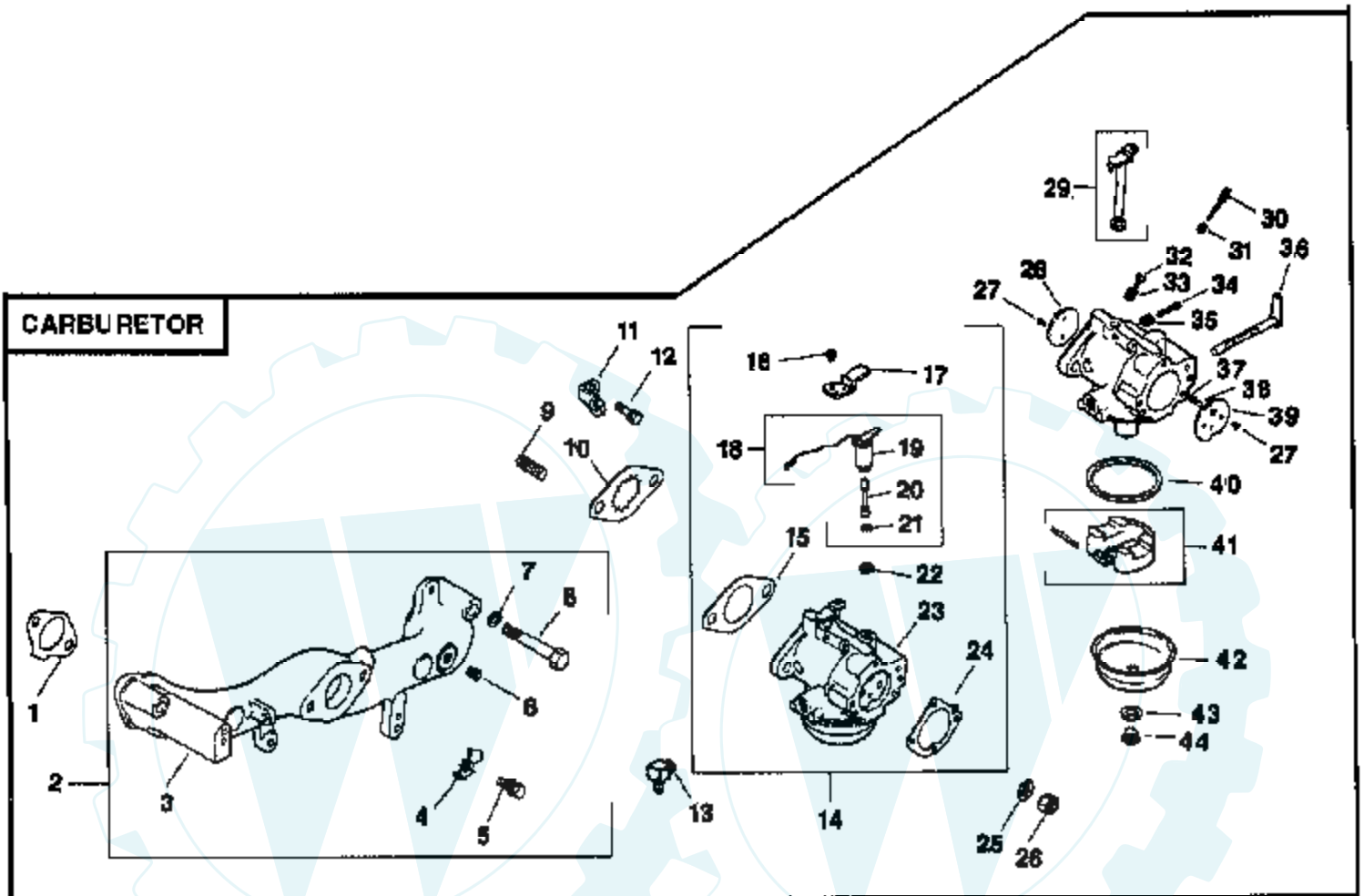




Ref #	Part Number	Qty	Description
1	52-102-09		CAMSHAFT
2	52-019-03		TAPPET
3	41-755-10		KIT RETAINER
4	52-413-01		ROTATOR
5	25-089-01		SPRING
6	52-016-05		VALVE EXHAUST
7	52-017-08		VALVE, INTAKE
8	52-032-13		SEAL
9	230011		RETAINER, INTAKE VALVE



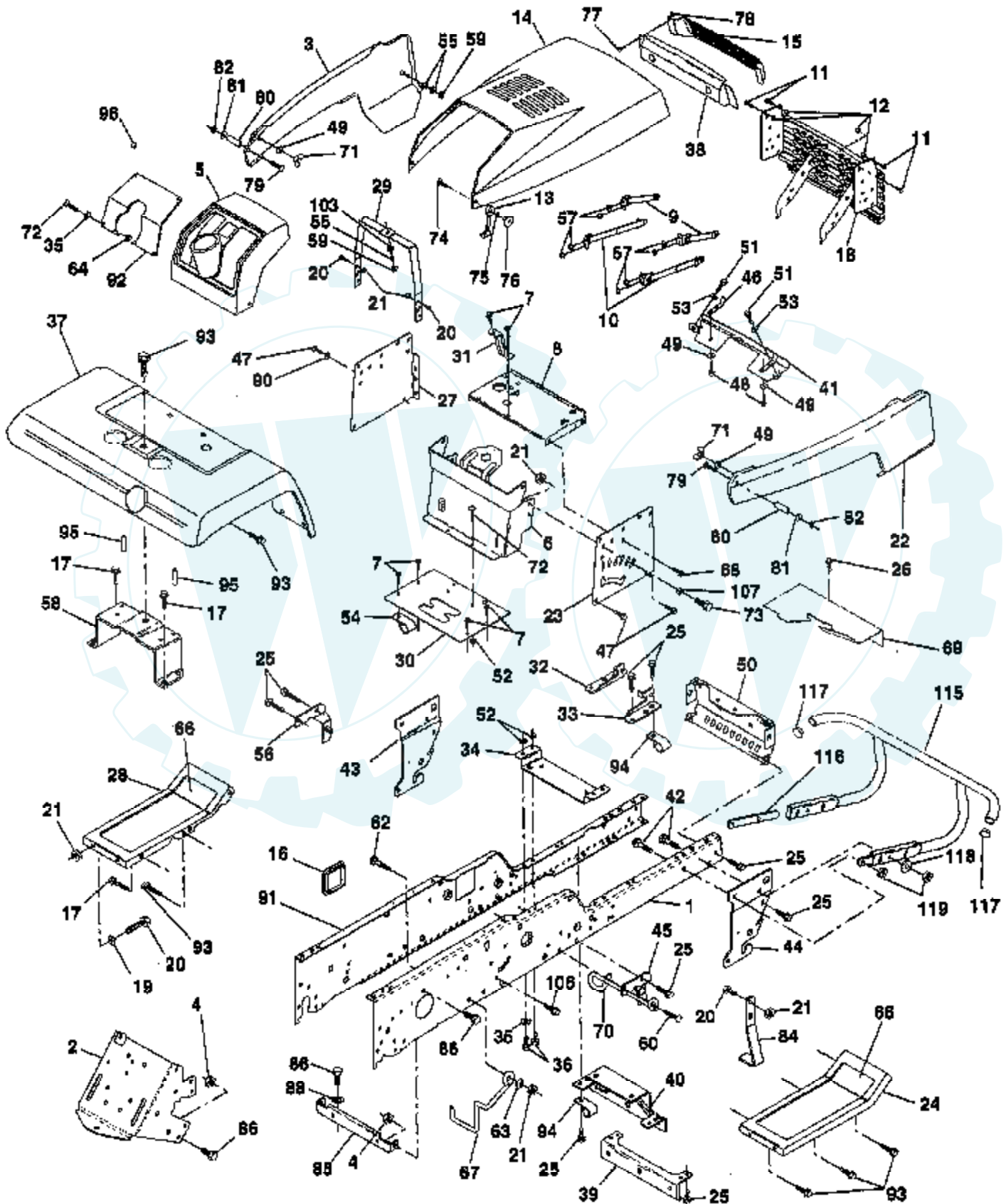
20 HP 50" TRACTOR - - MODEL NUMBER AYP8209A49
KOHLER ENGINE - MODEL NUMBER MV20S, TYPE NUMBER 57528



Ref #	Part Number	Qty	Description
1	52-041-09		GASKET
2	52-755-91		KIT
3	52-164-15		MANIFOLD
7	X-21-1		WASHER
8	X-6-29		SCREW, 5/16-18X1-1/4 (4)
6	X-75-23		PLUG
4	235778		CLAMP
5	X-67-97		SCREW
9	41-072-19		STUD
10	52-063-40		BAFFLE
13	25-155-02		CONNECTOR
14	52-853-35		KIT, CARB. W/GASKET
15	271030		GASKET
16	52-086-15		SCREW, SLT. #6-40X1/4
17	52-126-13		BRAKET, SOLENOID
18	25-755-06		KIT, SOLENOID
19	25-155-08		CONNECTOR
20	52-411-07		ROD, SOLENOID
21	52-153-01		O-RING
22	277180		GASKET, NEEDLE SEAT
23	52-053-71		CARB. ASSM.
24	25-041-06		GASKET, AIR CLEANER
25	X-22-11		WASHER, INTERNAL TOOTH
26	X-77-2		NUT
11	232867		STRAP
12	X-67-62		SCREW
27	25-086-27		SCREW
28	25-146-03		PLATE, CHOKE
29	52-144-25		SHAFT, THTLE, W/LEVER & SEAL
30	25-368-01		NEEDLE
31	25-089-02		SPRING
32	25-086-26		SCREW
33	25-089-04		SPRING
34	25-368-03		NEEDLE
35	25-089-02		SPRING
36	52-090-13		LEVER
37	25-089-03		SPRING
38	25-194-01		BALL
39	25-146-02		PLATE
40	25-041-04		GASKET
41	25-757-09		KIT
42	25-104-01		BOWL, FUEL
43	25-041-03		GASKET
44	25-100-05		SCREW, BOWL RETAINER
	271030		GASKET
	25-757-23		KIT, BOWL VENT BAFFLE
	25-757-11		KIT, CARB. REPAIR
	25-518-12		LEAD, BLACK
	25-518-25		LEAD, RED SOLE. TO CONNECTOR

20 HP 50" TRACTOR - - MODEL NUMBER AYP8209A49

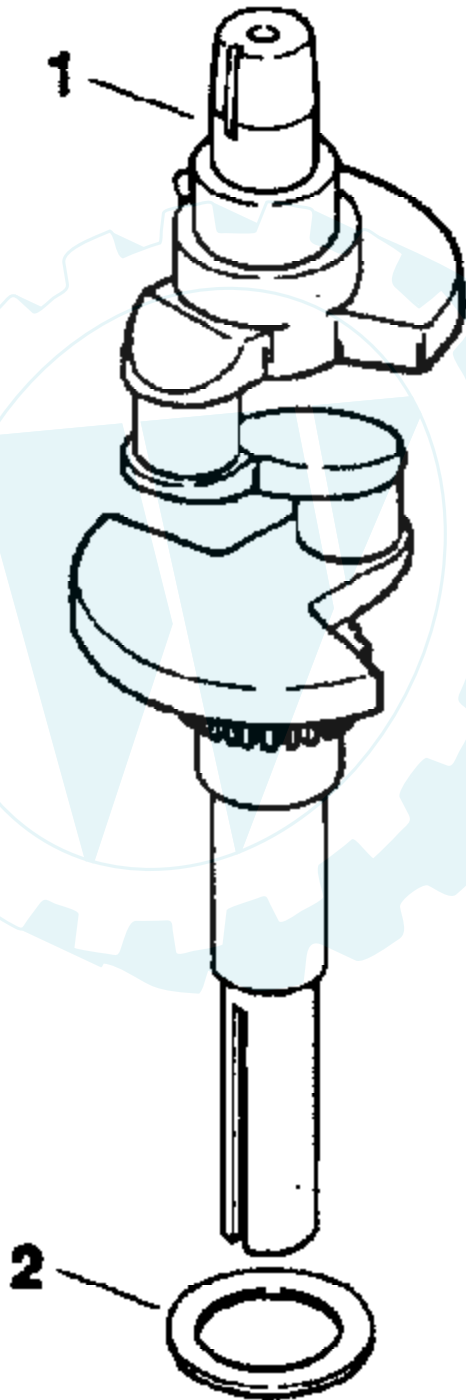
CHASSIS AND ENCLOSURES



Ref #	Part Number	Qty	Description
1	140505		SUB= 150383
2	140506		DRAWBAR GT
3	140678X418		PANEL SD LH YT/GT
4	73800700		NUT.7/16
5	140398		DASHBOARD BLACK
6	140638		DASH ASM LOWER
7	17720408		SCREW
8	140229		SUPPORT BATRY VGT
9	104618X		SUB= 155013
10	106784X		SUB= 155013
11	123481X		SUB= 7605J
12	73800400		NUT
13	109808X		HOOD LATCH T
14	132635X505		SUB= 150301X505
15	106395X		LENS LT
16	121794X		COVER ACCESS
17	17490612		SCREW
18	140037X431		GRILLE.ASM.PNT.YP
19	19131312		WASHER
20	74760616		BOLT
21	73800600		NUT
22	140679X418		PANEL SD RH YT/GT
23	121045X		SUB= 532121045
24	105464X505		SUB= 145243X505
25	17490612		SCREW
26	17490512		SCREW
27	121046X		SUB= 532121046
28	105465X505		SUB= 145244X505
29	124130X		SUPPORT ASSY
30	137143X014		SADDLE SILKSCRN
31	137556		BRACE.SUPT.STRG
32	141315		BRACKET ASM FRAME
33	141314		BRACKET ASM FRAME
34	136963		SUB= 142131
35	19111116		WASHER
36	74780512		BOLT
37	121642X505		FENDER
38	124392X417		SUB= 147717
39	136961		BRACKET.AXLE.FRT.
40	136962		SUB= 156111
41	105419X418		STRAP.GRILLE
42	72140610		BOLT.3/8-14X1.25
43	136939		BRACKET.SUS.FT.LH
44	163940		BRACKET, SPNSN FR. RH
45	138460		SUB= 155887
46	132644		SUB= 532132644
47	17490608		SCREW LT
48	17490512		SCREW
49	19131210		WASHER
50	136575		BRACKET.CHASSIS.
51	17490412		SCREW HEX CRT
52	73800500		NUT
53	19091016		WASHER
54	126470X		"CLIP,INSULATOR"
55	19091216		WASHER PM
56	138461		SUB= 155886
58	137113		BRKT ASM FENDER
60	17490620		SCREW

Ref #	Part Number	Qty	Description
62	72110608		BOLT D
63	19131614		WASHER
64	73510500		NUT
66	133671		FOOTREST PAD
67	140737		GUIDE BELT TRANS
68	17490508		SCREW LT
69	140022		SHIELD.HEAT.MUF
70	137159		GUIDE.BELT.MID.SP
71	123198X		SUB= 146525
72	74180512		SCREW
73	74780616		BOLT
74	74191008		SCREW
75	10071000		LOCKWASHER
76	2029J		WELDNUT
77	17211010		SCREW LT
78	104755X		""J"" FASTENER LT"
79	74981020		SCREW
80	7206J		SPACER LT
81	19070818		WASHER
82	73731000		NUT
84	138952		SUB= 142992
85	120404X		SUB= 156404
86	74760716		BOLT
88	10040700		LOCKWASHER
90	11050600		LOCKWASHER
91	140504		SUB= 151630
92	140299X012		PLATE SLKSCR YP
93	17490608		SCREW LT
94	100207K		CLIP GTV
95	105531X		NUT-PUSH YT
96	8022J		PLUG-DASH T
97	73510400		NUT
103	10040400		LOCKWASHER
106	17580520		BOLT.5/16-18X1.25
107	73220400		SUB= 50675
115	141460		BUMPER.ASM.W/PY
116	141461		BRACKET.EXT.BUMP.
117	135260		SUB= 143679
118	19131316		WASHER
119	73680600		SUB= 73690600

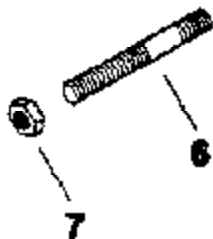
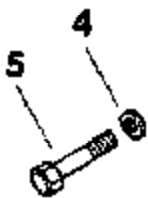
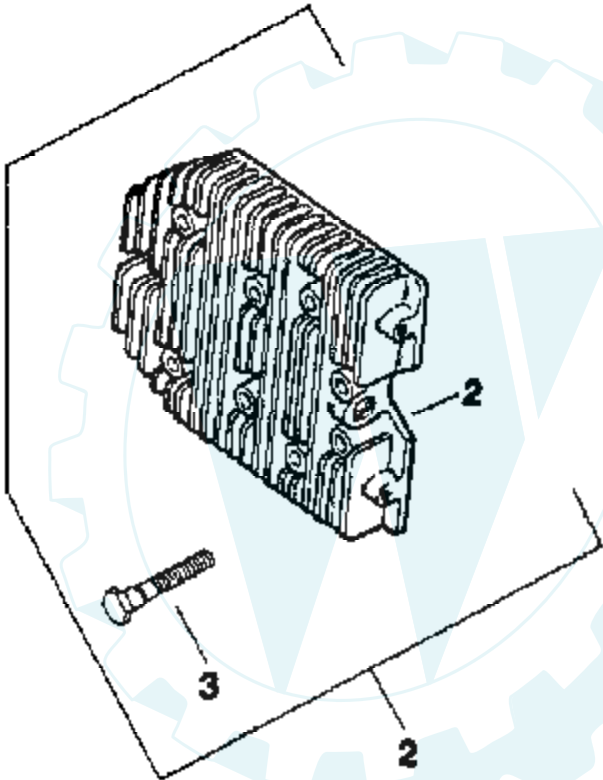
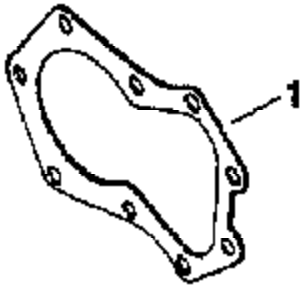
CRANKSHAFT



Ref #	Part Number	Qty	Description
1	52-014-93		CRANKSHAFT
2	52-468-03		WASHER, .119/.122 (A.R.)
2A	52-468-04		WASHER, .128/.131
2B	52-468-05		WASHER, .137/.140 (A.R.)



CYLINDER HEAD

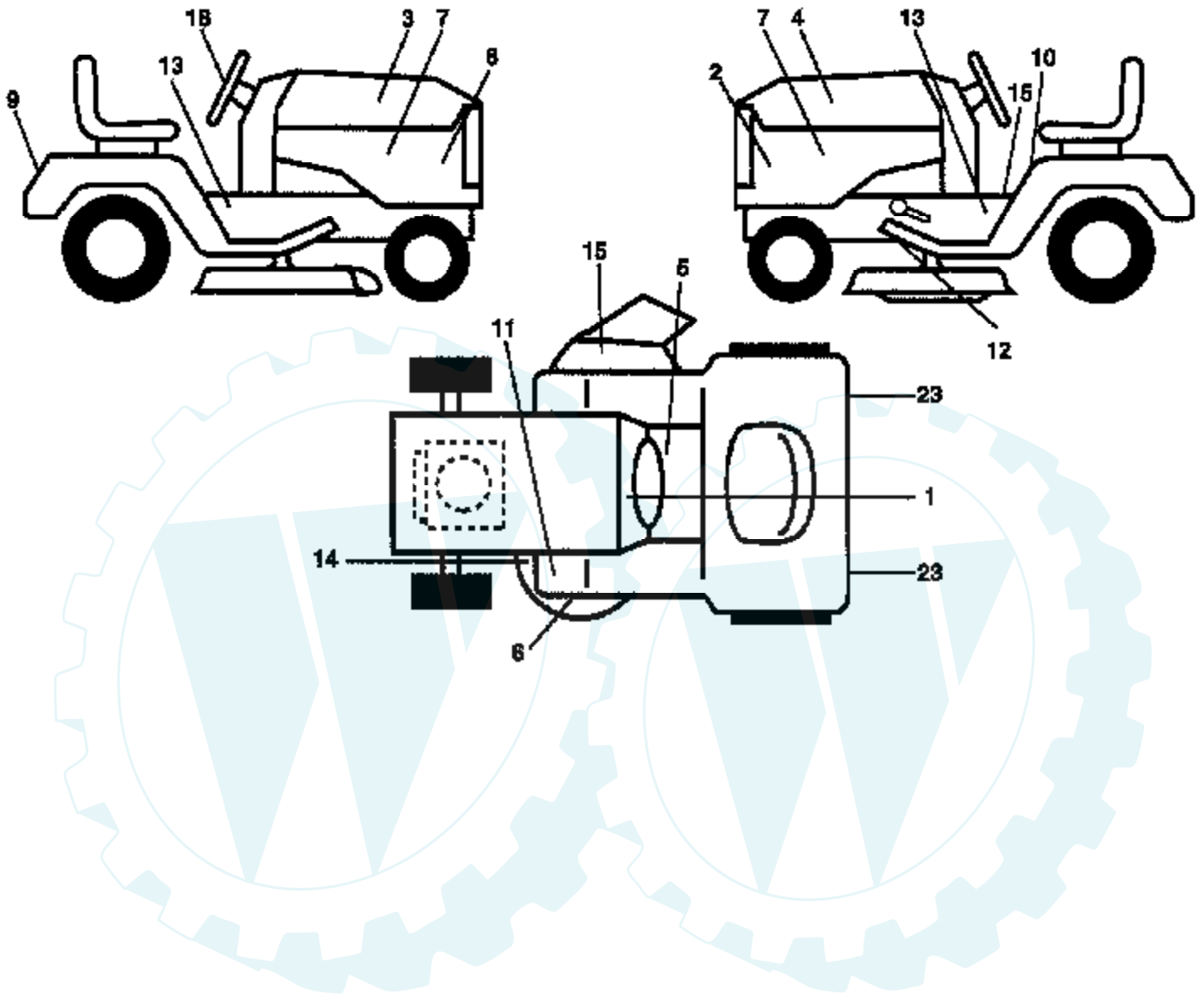


Ref #	Part Number	Qty	Description
1	52-041-20		GASKET
2	52-755-78		KIT, CYL. HEAD
3	25-086-07		SCREW
4	220534		WASHER
5	41-086-02		SCREW
6	52-072-15		STUD
7	X-82-2		NUT

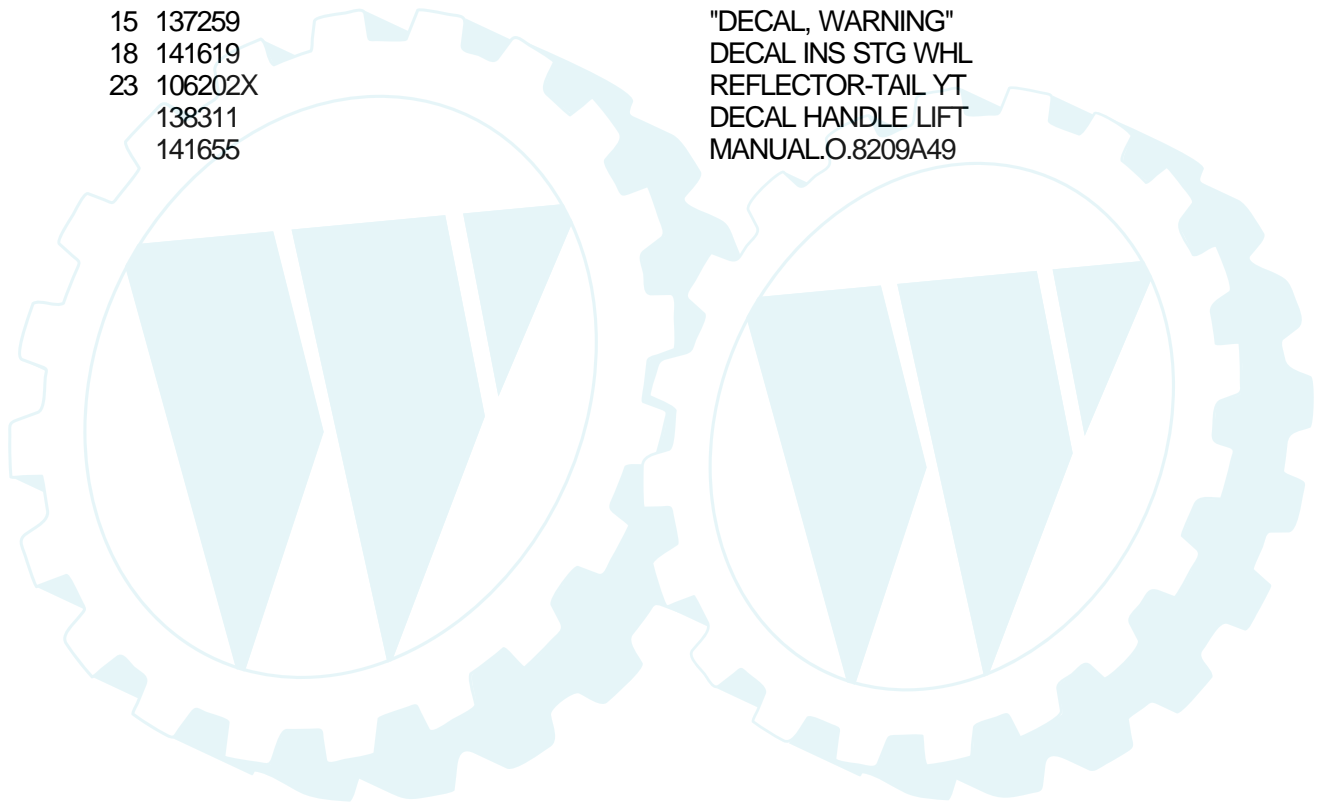


20 HP 50" TRACTOR - - MODEL NUMBER AYP8209A49

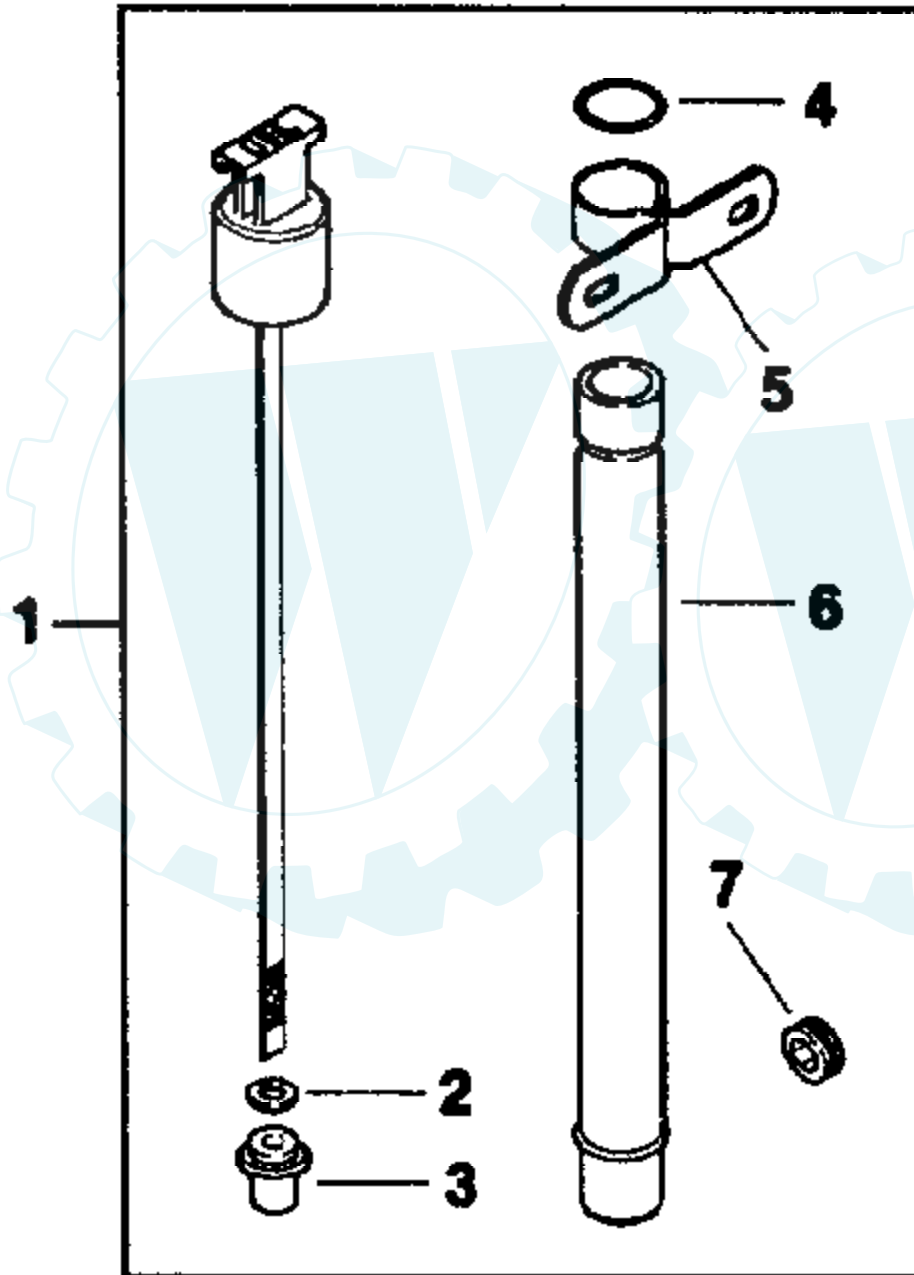
DECALS



Ref #	Part Number	Qty	Description
1	138955		DECAL.DASH.INST.
2	133780		NLA
3	141556		DECAL HD RH WIZ +
4	141557		DECAL HD LH WIZ +
5	140837		DECAL BRAK PARK
6	141517		DECAL DECK WIZ +
7	141584		DECAL PNL SD KOH
8	142336		DECAL SADLE HYDRO
9	127520		NLA
10	133796		DECAL
11	4900J		DECAL T
12	142342		DECAL D-BAR CNTRL
13	141587		DECAL CHASSIS 50
14	139346		"DECAL.V.BELT.44""
15	137259		"DECAL, WARNING"
18	141619		DECAL INS STG WHL
23	106202X		REFLECTOR-TAIL YT
	138311		DECAL HANDLE LIFT
	141655		MANUAL.O.8209A49

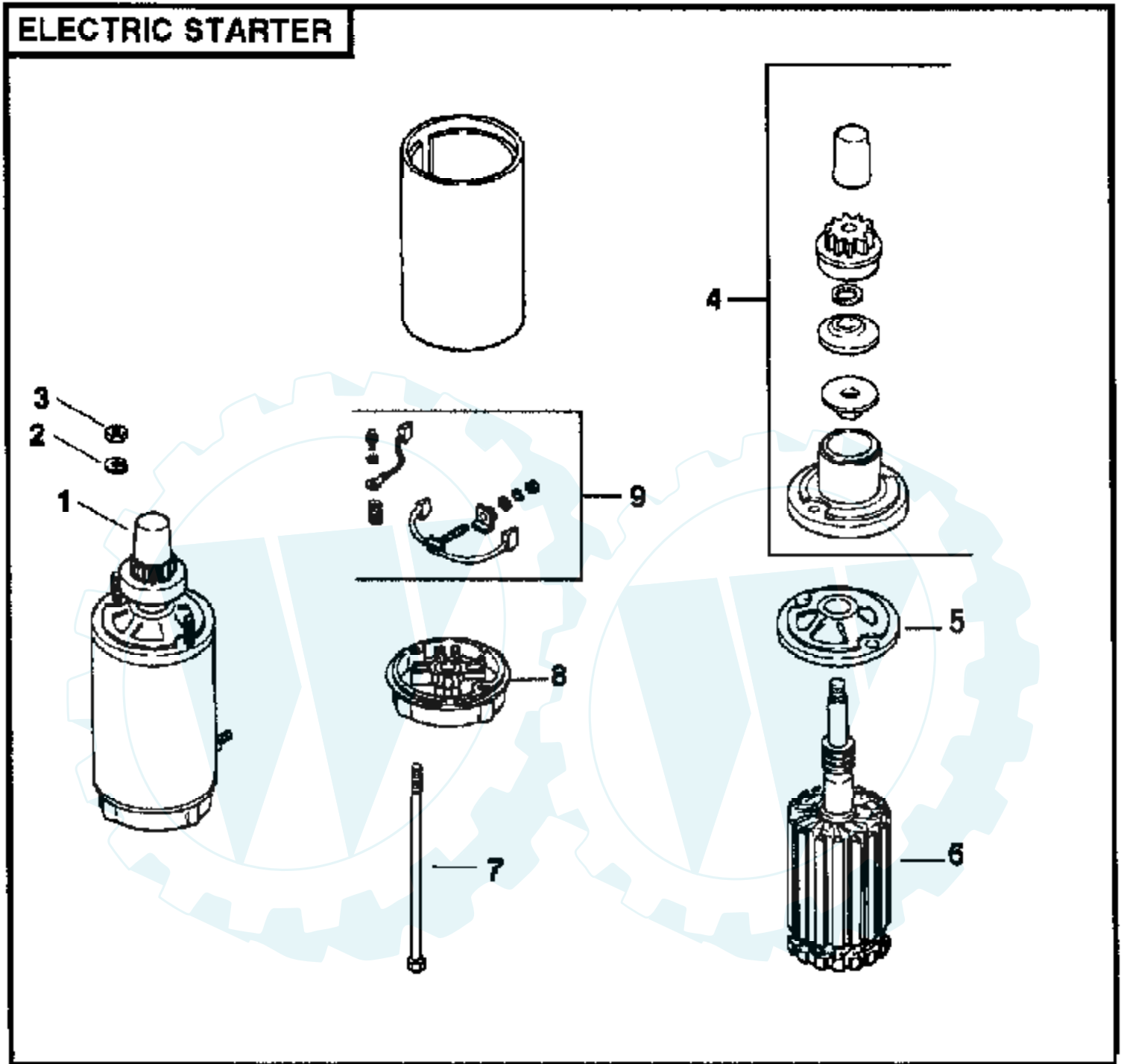


DIPSTICK



Ref #	Part Number	Qty	Description
1	52-038-14		DIPSTICK
2	X-25-44		WASHER, PLAIN 5/16
3	52-032-14		SEAL RUBBER
4	41-153-01		O-RING
5	52-126-11		BRKT
6	52-123-20		TUBE
7	47-139-01		PLUG, HEX 3/4



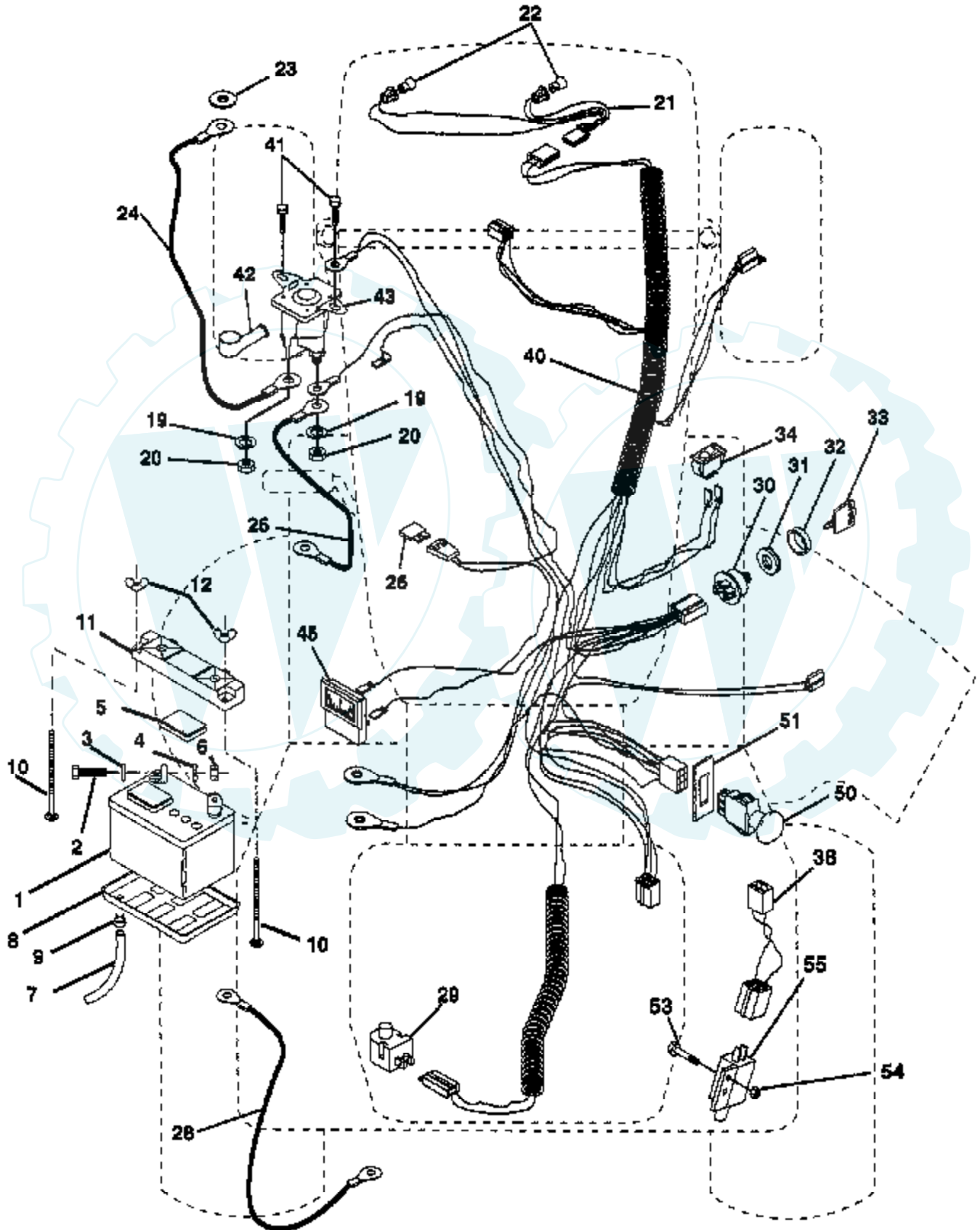


Ref #	Part Number	Qty	Description
1	52-098-12		STARTER ASSY
2	X-20-1		WASHER
3	X-81-1		NUT
4	82-755-26		KIT, DRIVE
5	52-081-07		CAP
6	52-107-05		ARMATURE
7	52-211-01		BOLT
8	52-227-10		CAP
9	82-755-28		KIT BRUSH
	25-450-03		TAG CAUTION



20 HP 50" TRACTOR - - MODEL NUMBER AYP8209A49

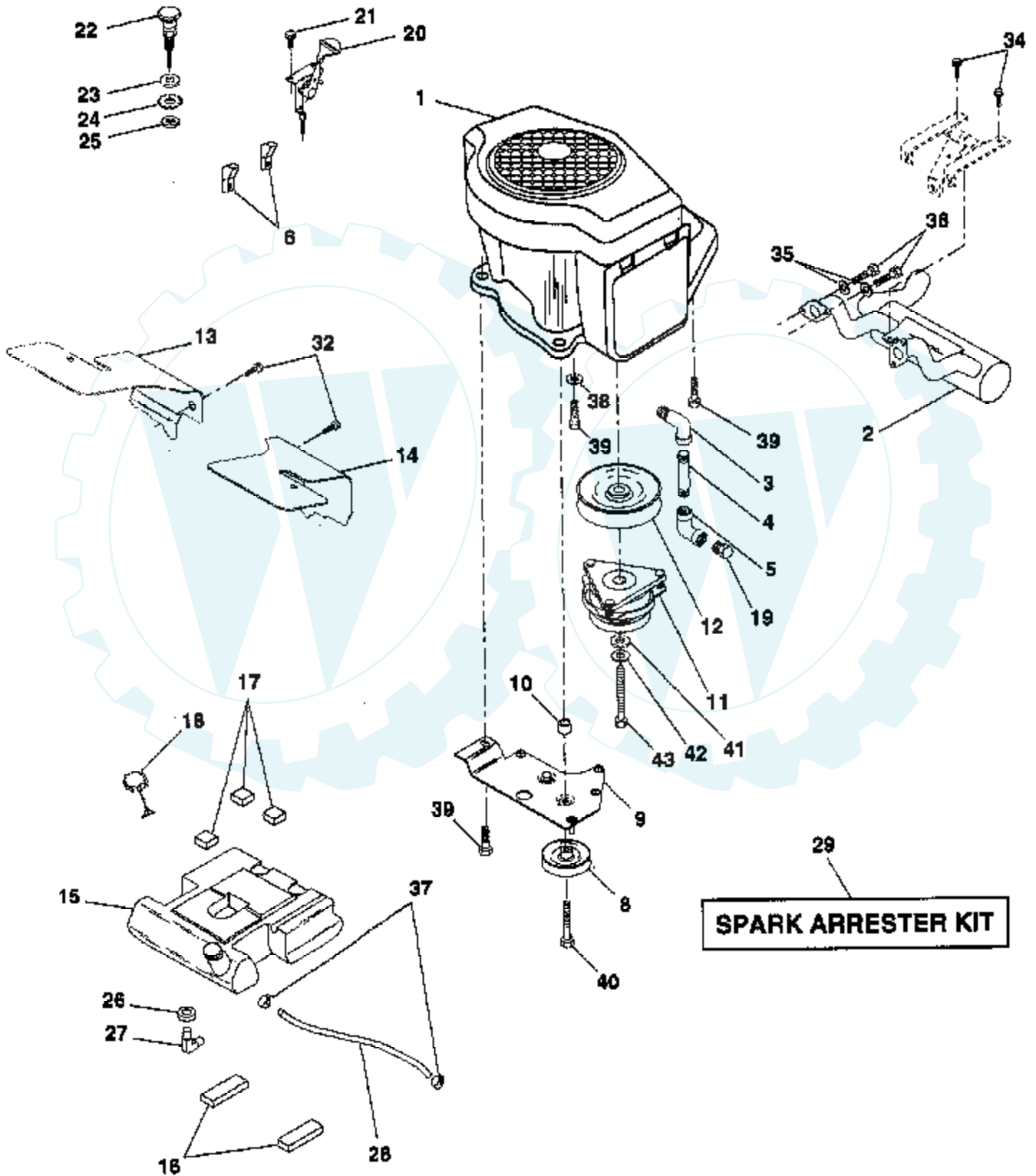
ELECTRICAL



Ref #	Part Number	Qty	Description
1	121537X		SUB= 123899X
2	74760412		BOLT LT
3	19091016		WASHER
4	10040400		LOCKWASHER
5	121264X		"CAP,BATTERY "
6	73220400		SUB= 50675
7	7697J		"DRAIN TU T, BATT"
8	7603J		"TRAY T, BATTERY"
9	109596X		HOSE CLAMP T
10	72240460		BOLT
11	102476X		SUB= 150109
12	123198X		SUB= 146525
19	10090400		SUB= 10040400
20	73350400		NUT
21	127441X		SUB= 136850
22	4152J		HEADLAMP BULB
23	11150400		LOCKWASHER
24	4799J		"CABLE T, BATTERY"
25	4206J		CABLE-BATTERY T
26	108824X		FUSE HYT
28	4207J		CABLE T
29	121305X		SWITCH SEAT
30	140399		SUB= 163088
31	140400		SUB= 145774
32	141226		COVER KEY SWITCH
33	140401		KEY MLD GEN DELTA
34	110712X		SWITCH LT
38	140660		ADAPTER.HARN.SERV
40	141882		HARNESS IGN GT
41	17720408		SCREW
42	131563		SUB= 154336
43	138406		SUB= 146154
45	122822X		AMMETER
50	140404		SUB= 154959
51	140405		RING RETAIN PTO
53	71031008		SCREW
54	73951000		"NUT,KEPS"
55	104445X		SWITCH-INTER. GT

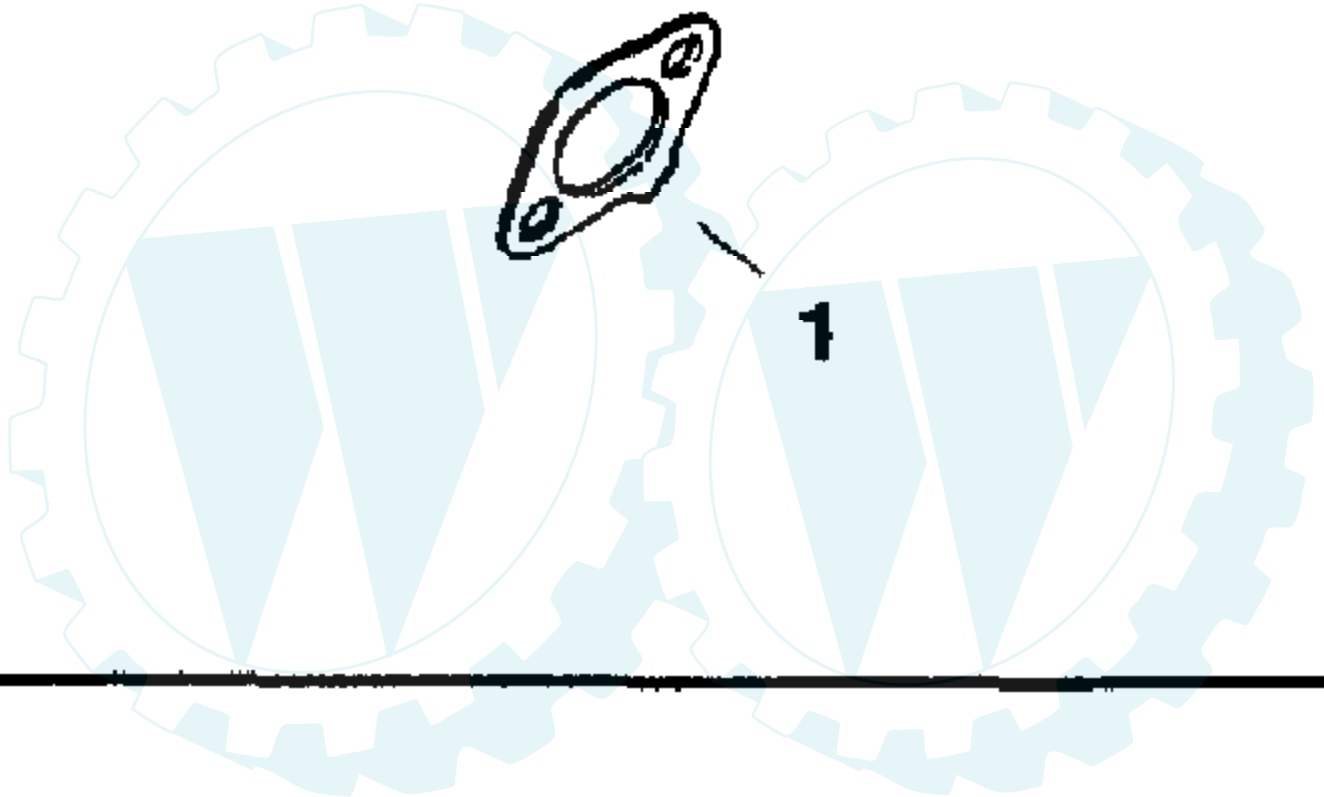
20 HP 50" TRACTOR - - MODEL NUMBER AYP8209A49

ENGINE



Ref #	Part Number	Qty	Description
1			REFER TO IMAGE
2	139214		SUB= 144110
3	13240300		STREET ELBOW LT
4	13280328		PIPE NIPPLE
5	13200300		ELBOW
6	138129		CLAMP.TUBE.DBL.EN
8	121361X		SUB= 139123
9	138559		SUB= 150828
10	105432X		BUSHING.
11	137140		SUB= 142600
12	136907		PULLEY.ENGINE.VGT
13	138486		BAFFLE.AIR.LH.K
14	138487		SUB= 154574
15	141069		SUB= 151346
16	109227X		PAD IDLER TI
17	106082X		PAD-SPACER LT
18	140527		CAP ASM FUEL
19	13290300		PLUG T
20	142168		CONTROL THTL 37
21	17720410		SCREW LT
22	138672		"CONTROL.CHOKE.51""
23	19131316		WASHER
24	11050600		LOCKWASHER
25	73610600		SUB= 7810H
26	3645J		BUSHING OUTLET T
27	139277		STEM.TANK.FUEL
28	7834R		SUB= 8542R
29	132920		SPARK ARREST KIT
32	17490508		SCREW LT
34	17720408		SCREW
35	10040500		LOCKWASHER
36	74570512		SCREW
37	123487X		HOSE CLAMP
38	11050600		LOCKWASHER
39	17490624		SCREW LT
40	17490652		SCREW.3/8-16X3.25
41	126197X		WASHER
42	10040700		LOCKWASHER
43	71170768		SUB= 150280

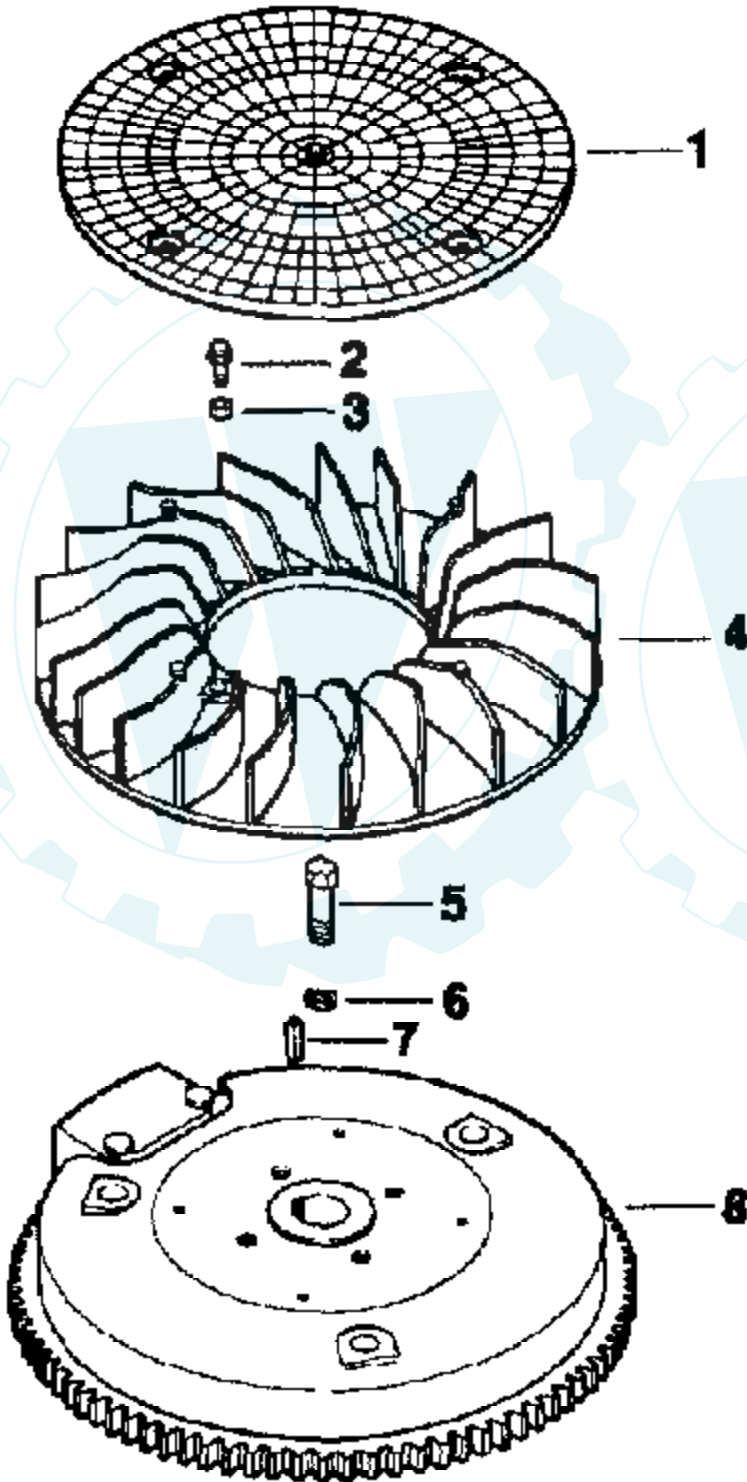
EXHAUST



Ref #	Part Number	Qty	Description
	1 52-041-14		GASKET, EXHAUST

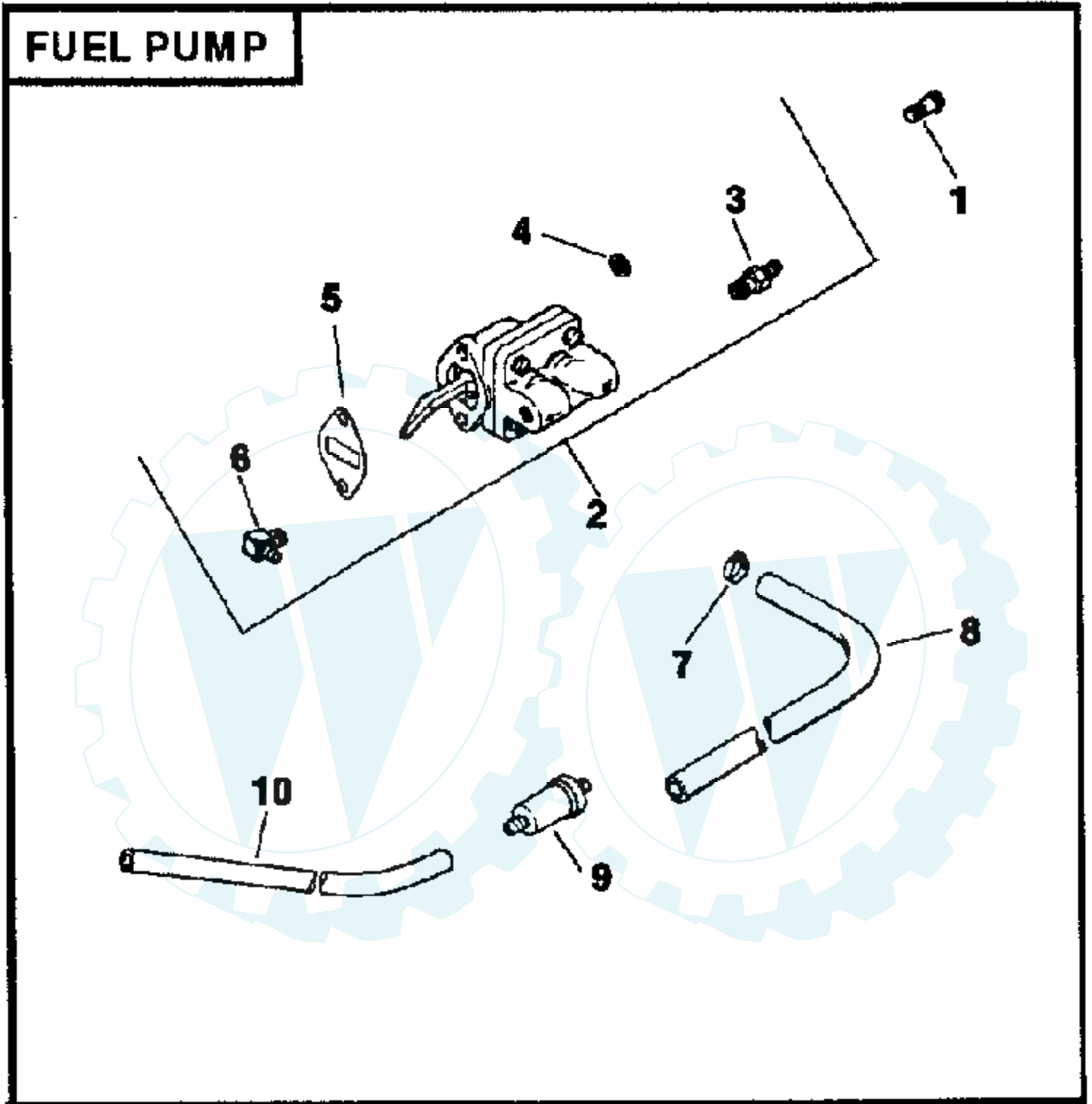


FLYWHEEL



Ref #	Part Number	Qty	Description
1	25-162-01		SCREEN
2	25-086-21		SCREW, HEX 1/4-20 X 5/8
3	25-112-04		SPACER
4	25-157-01		FAN
5	25-086-24		SCREW, 3/8-24X1-1/4
6	52-468-15		WASHER
7	X-286-17		KEY
8	52-025-36		FLYWHEEL

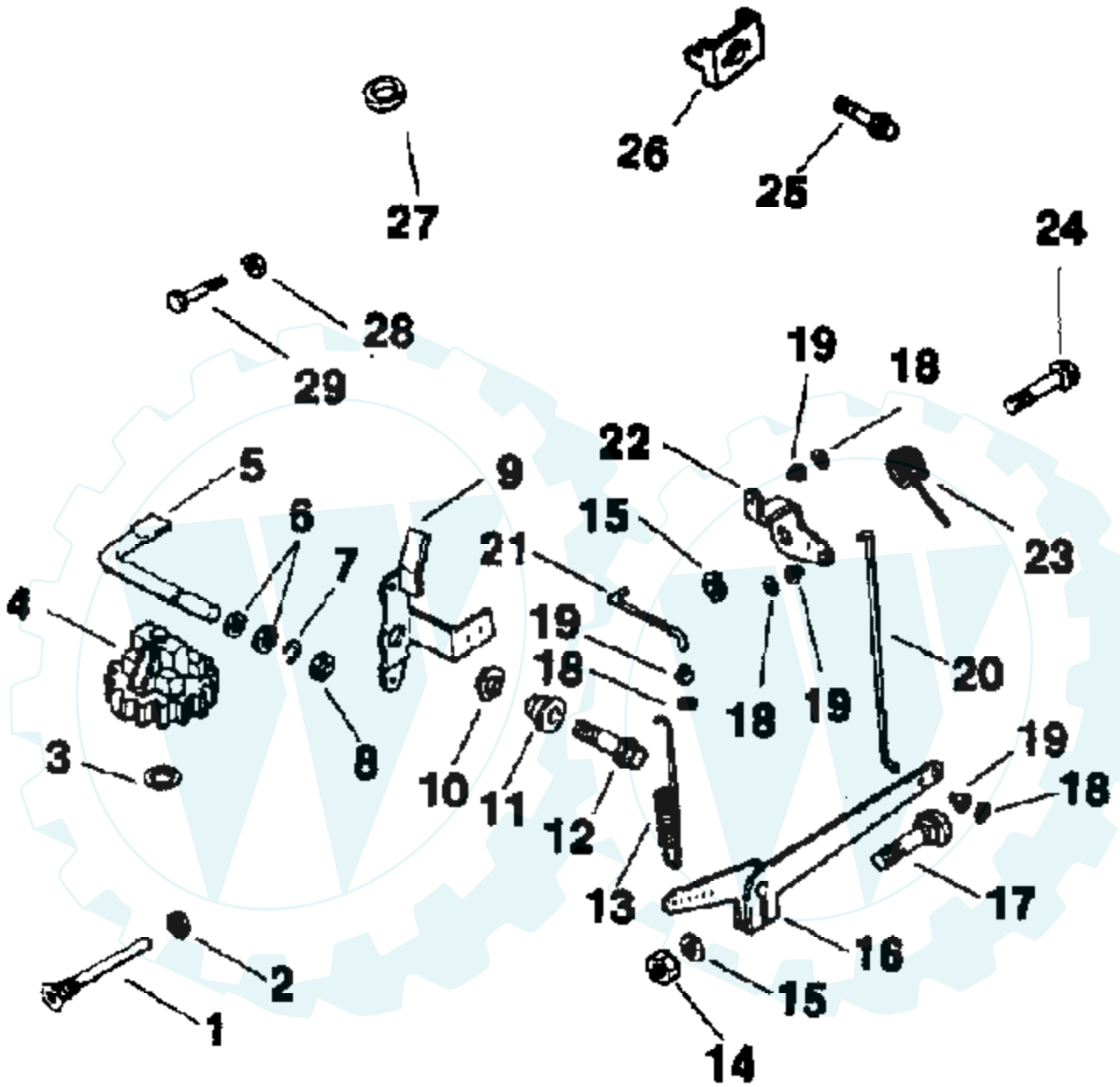




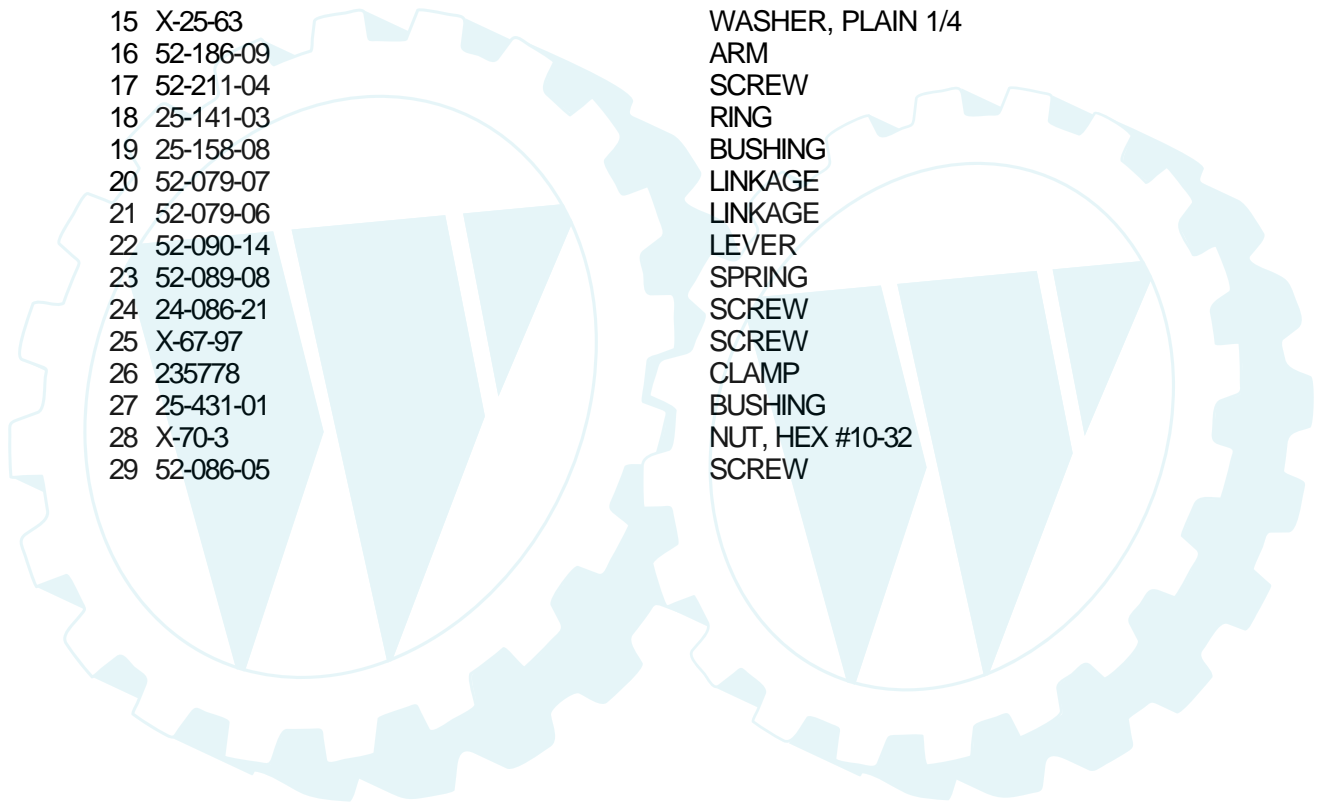
Ref #	Part Number	Qty	Description
1	47-086-08		SCREW
2	52-559-01		PUMP
3	X-380-01		CONNECTOR, STRAIGHT
4	X-25-63		WASHER, PLAIN 1/4
5	25-041-09		GASKET
6	25-155-02		CONNECTOR
7	X-426-9		CLAMP, HOSE
8	52-353-18		LINE, FUEL 8"
9	25-050-03		FILTER FUEL
10	15-353-04		LINE FUEL 11-1/2"



GOVERNOR

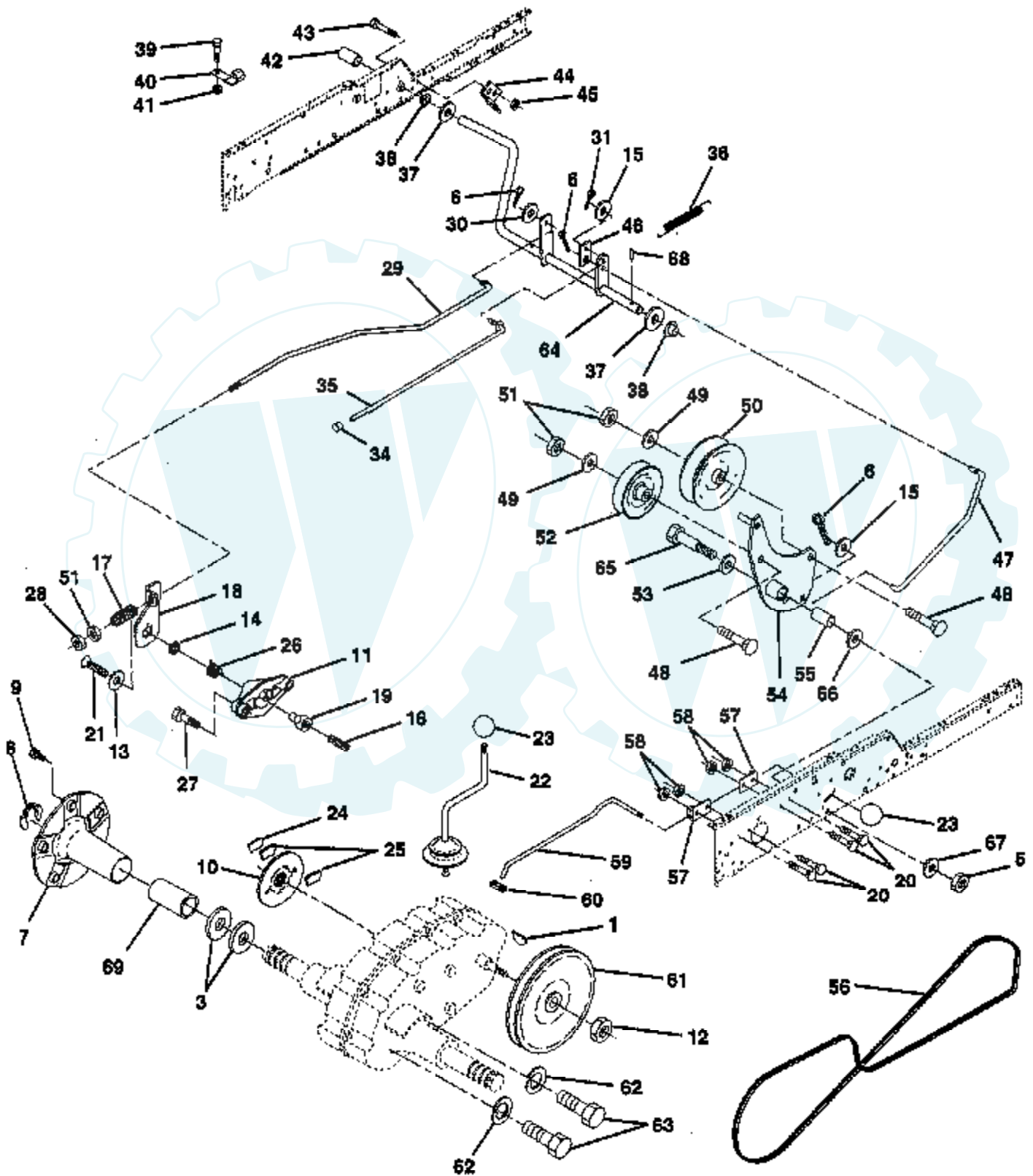


Ref #	Part Number	Qty	Description
1	231355		PIN
2	X-25-12		WASHER
3	237022		WASHER
4	A-235743-S		KIT
5	52-078-04		SHAFT
6	X-25-102		WASHER
7	X-269-28		RETAINER
8	X-25-72		WASHER
9	52-090-23		LEVER
10	277341		WASHER
11	52-158-07		BUSHING
12	25-086-15		SCREW, 1/4-20 X 1
13	52-089-07		SPRING
14	X-81-1		NUT
15	X-25-63		WASHER, PLAIN 1/4
16	52-186-09		ARM
17	52-211-04		SCREW
18	25-141-03		RING
19	25-158-08		BUSHING
20	52-079-07		LINKAGE
21	52-079-06		LINKAGE
22	52-090-14		LEVER
23	52-089-08		SPRING
24	24-086-21		SCREW
25	X-67-97		SCREW
26	235778		CLAMP
27	25-431-01		BUSHING
28	X-70-3		NUT, HEX #10-32
29	52-086-05		SCREW



20 HP 50" TRACTOR - - MODEL NUMBER AYP8209A49

GROUND DRIVE

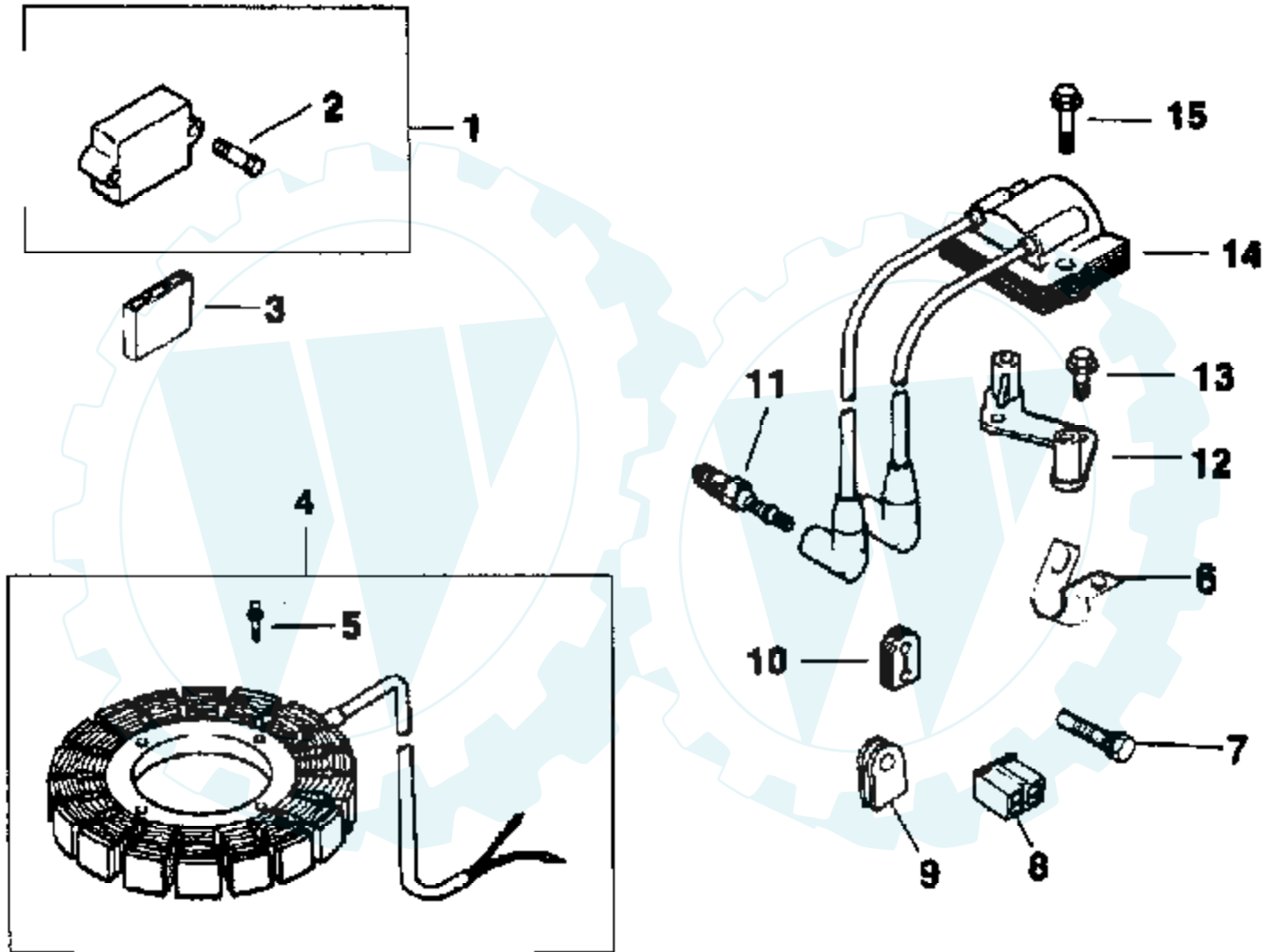


Ref #	Part Number	Qty	Description
1	9858M1		KEY
3	7563R		WASHER T
5	73680600		SUB= 73690600
6	76020412		COTTER PIN
7	135758		SUB= 149176X431
8	12000034		KLIP RING
9	140080		BOLT.HUB.WHL.REAR
10	143046		SUB= 142509
11	136927		YOKE BRAKE DISC
12	9204H		NUT STD
13	139419		WASHER SPECIAL
14	138901		BUSHING LEVER BKT
15	19131316		WASHER
16	143012		SCREW SET 1/4-20
17	126909X		"SPRING,ROD BRAKE"
18	137104		LEVER BRAKE GT
19	136926		CAM BRAKE DISC GT
20	72140506		BOLT
21	143012		SCREW SET 1/4-20
22	633A109		GEAR SHFT LVR T
23	121466X		KNOB
24	136925		SUPPORT PUCK BRKE
25	136923		PUCK BRAKE TOP
26	137552		SPRING RET BRAKE
27	17490528		SCREW HX WASH
28	73350600		NUT
29	137213		ROD BRAKE ZINC GT
30	19131614		WASHER
31	76020312		SUB= 3145
34	124236X		CAP
35	137648		ROD BRAKE PART GT
36	138364		SUB= 149412
37	121749X		WASHER
38	110895X		NYLINER T
39	74321016		SCREW
40	5304J		ACT-SWITCH T
41	73631000		SUB= 69180
42	8883R		PEDAL COVER T
43	74760412		BOLT LT
44	104601X		BRKT SWITCH GT
45	73800400		NUT
46	121358X		RETAINER SPRING
47	138228		ROD.CLUTCH
48	72110614		BOLT
49	19131413		WASHER
50	131494		FLAT IDLER PULLEY
51	73800600		NUT
52	139123		PULLEY.IDLER.V.GR
53	207J		WASHER T
54	138390		ARM.ASM.IDLER.CLU
55	105706X		"LY, BEARING"
56	137153		BELTV.GR.DR.83.
57	105598X		ROD BRACKET GT
58	73800500		NUT
59	122253X		ROD SHIFT HI LO
60	122268X		CONNECTING LINK
61	137524		SUB= 532137524
62	10040700		LOCKWASHER

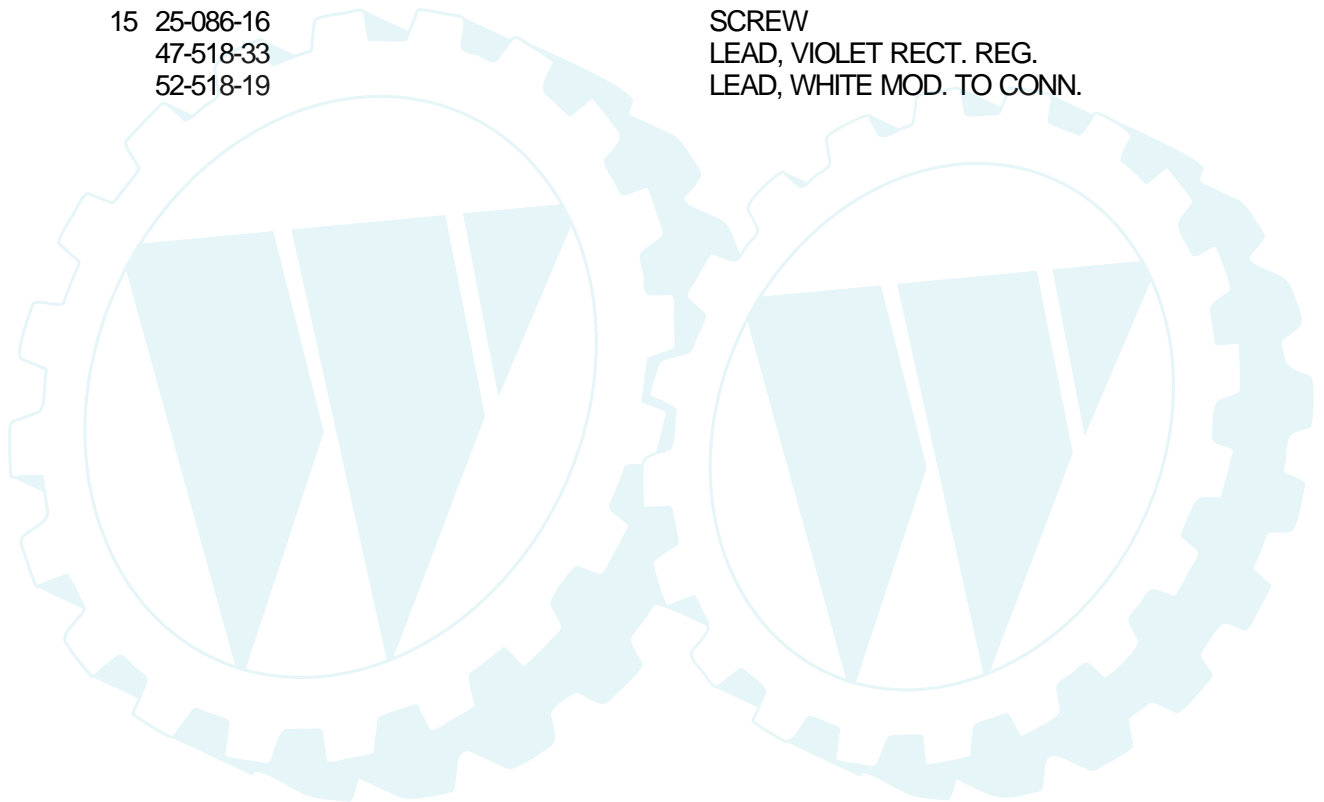
Ref #	Part Number	Qty	Description
63	74760720		BOLT
64	137649		SUB= 154752
65	67609		AXLE BOLT
66	140296		WASHER.HARD.BLADE
67	19131312		WASHER
68	5142H		ROLL PIN STD
69	136327		"COVER, HUB"



IGNITION

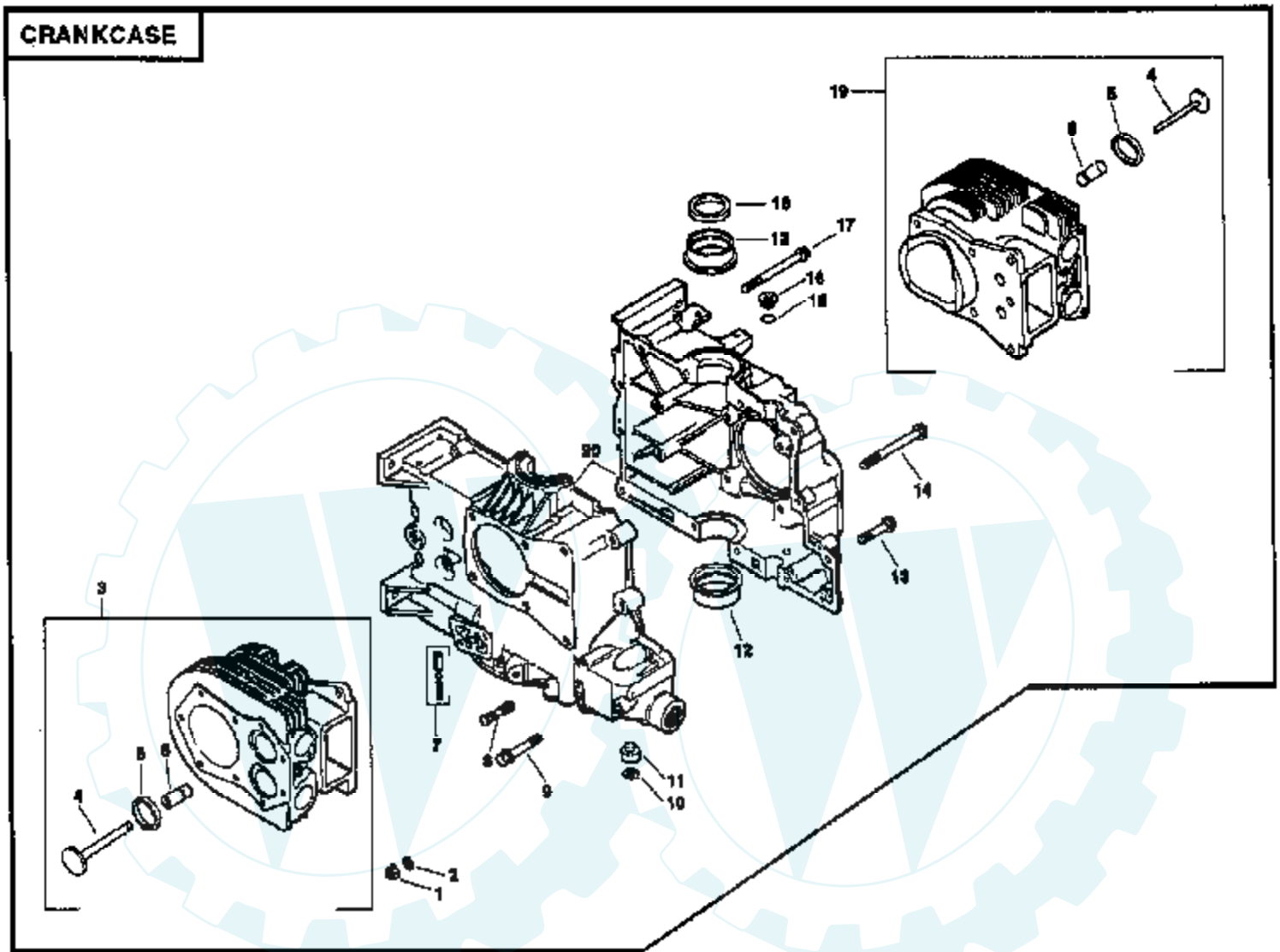


Ref #	Part Number	Qty	Description
1	25-755-03		KIT
2	X-132-5		SCREW
3	236602		CONNECTOR
4	237878		KIT
5	X-67-51		SCREW
6	210281		CLIP
7	X-67-64		SCREW
8	41-155-02		CONNECTOR
9	220297		GROMMET
10	52-313-02		GROMMET
11	52-132-02		SPARK PLUG
12	52-126-08		BRKT
13	25-086-15		SCREW, 1/4-20 X 1
14	52-584-02		MODULE
15	25-086-16		SCREW
	47-518-33		LEAD, VIOLET RECT. REG.
	52-518-19		LEAD, WHITE MOD. TO CONN.



20 HP 50" TRACTOR - - MODEL NUMBER AYP8209A49

KOHLER ENGINE - MODEL NUMBER MV20S, TYPE NUMBER 57528



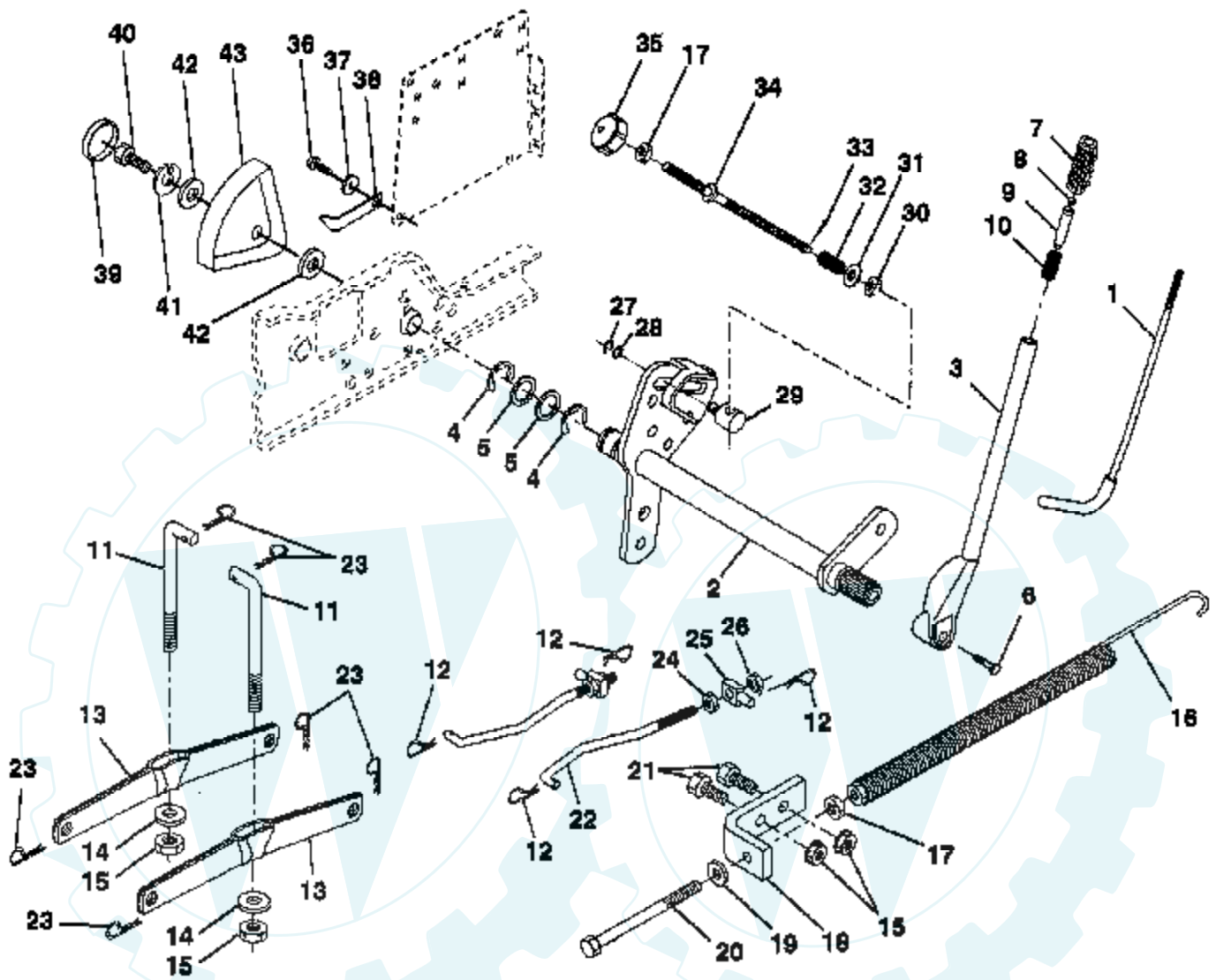
Ref #	Part Number	Qty	Description
1	X-82-2		NUT
2	52-468-12		WASHER
3	82-755-16		KIT #1 CY. BARREL
4	52-016-05		VALVE EXHAUST
5	52-031-01		INSERT
6	52-316-06		GUIDE
7	52-755-50		KIT
8	52-072-12		STEP STUD
9	25-086-12		SCREW
10	X-269-43		RING, RETAINING
11	52-078-05		SHAFT
12	52-030-10		BEARING
12A	52-030-11		BEARING
12B	52-030-12		BEARING
13	25-086-10		SCREW
14	25-086-13		SCREW
15	52-141-02		O-RING
16	52-139-08		PLUG
17	25-086-11		SCREW
18	52-032-10		SEAL
19	82-755-17		KIT #2 CY. BARREL
20			REFER TO IMAGE
1	52-041-09		GASKET
2	52-755-91		KIT
3	52-164-15		MANIFOLD
7	X-21-1		WASHER
8	X-6-29		SCREW, 5/16-18X1-1/4 (4)
6	X-75-23		PLUG
4	235778		CLAMP
5	X-67-97		SCREW
9	41-072-19		STUD
10	52-063-40		BAFFLE
13	25-155-02		CONNECTOR
14	52-853-35		KIT, CARB. W/GASKET
15	271030		GASKET
16	52-086-15		SCREW, SLT. #6-40X1/4
17	52-126-13		BRACKET, SOLENOID
18	25-755-06		KIT, SOLENOID
19	25-155-08		CONNECTOR
20	52-411-07		ROD, SOLENOID
21	52-153-01		O-RING
22	277180		GASKET, NEEDLE SEAT
23	52-053-71		CARB. ASSM.
24	25-041-06		GASKET, AIR CLEANER
25	X-22-11		WASHER, INTERNAL TOOTH
26	X-77-2		NUT
11	232867		STRAP
12	X-67-62		SCREW
27	25-086-27		SCREW
28	25-146-03		PLATE, CHOKE
29	52-144-25		SHAFT, THTL, W/LEVER & SEAL
30	25-368-01		NEEDLE
31	25-089-02		SPRING
32	25-086-26		SCREW
33	25-089-04		SPRING
34	25-368-03		NEEDLE
35	25-089-02		SPRING
36	52-090-13		LEVER

Ref #	Part Number	Qty	Description
37	25-089-03		SPRING
38	25-194-01		BALL
39	25-146-02		PLATE
40	25-041-04		GASKET
41	25-757-09		KIT
42	25-104-01		BOWL, FUEL
43	25-041-03		GASKET
44	25-100-05		SCREW, BOWL RETAINER
	271030		GASKET
	25-757-23		KIT, BOWL VENT BAFFLE
	25-757-11		KIT, CARB. REPAIR
	25-518-12		LEAD, BLACK
	25-518-25		LEAD, RED SOLE. TO CONNECTOR



20 HP 50" TRACTOR - - MODEL NUMBER AYP8209A49

LIFT ASSEMBLY

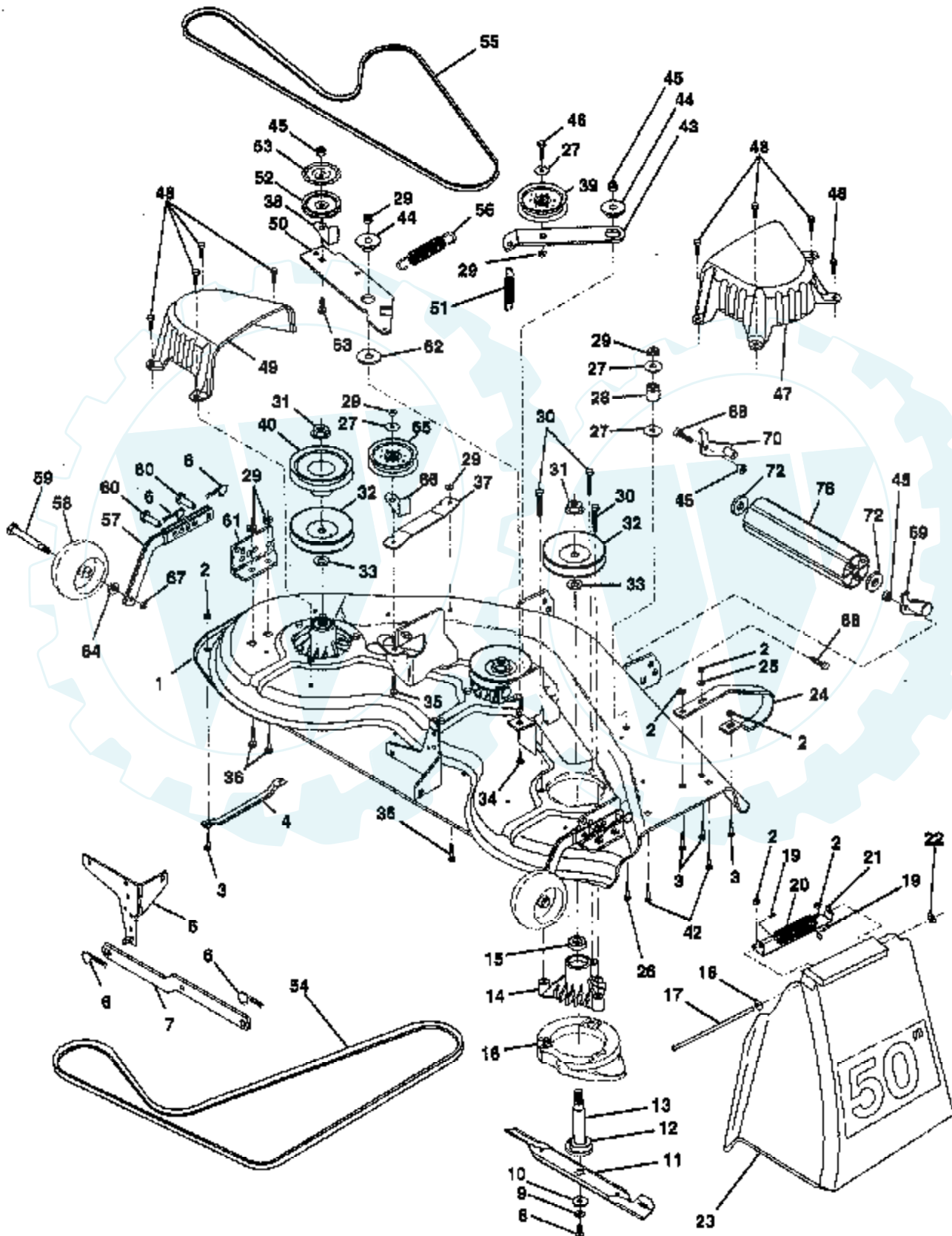


NOTE: All component dimensions given in U.S. inches
1 inch = 25.4 mm

Ref #	Part Number	Qty	Description
1	121006X		LEVER ROD LT
2	137295		SUB= 145542
3	121002X		SUB= 123096X
4	12000022		E-RING
5	19292016		WASHER
6	74780624		"BOLT,HEX"
7	125631X		GRIP HANDLE
8	122365X		SUB= 125925X
9	122364X		SUB= 125925X
10	2876H		SPRING T
11	142369		SUB= 146704
12	3146R		RETAINER.SPRING
13	139867		SUB= 139868
14	140302		BEARING PVT LH
15	73800600		NUT
16	674A247		SUB= 918674A247
17	73350600		NUT
18	5329J		SUB= 143363
19	19131316		WASHER
20	5328J		BOLT-ADJ SPRING T
21	74760616		BOLT
22	127218		LINK.FRONT
23	4939M		SUB= 85902
24	73350800		NUT
25	130171		TRUNION
26	73800800		NUT.LK.W/WSH.1/2.
27	12000037		KLIP RING
28	19151216		WASHER
29	110810X		TRUNION LT
30	110807X		NUT T
31	19131016		WASHER
32	137150		SPRING.COMP.INF.H
33	76020308		SUB= 3145
34	137167		ROD.ADJ.LIFT
35	138057		KNOB INF 3/8-16
36	17490612		SCREW
37	120529X		WASHER T
38	123933X505		POINTER HGT IND
39	123935X		"PLUG,HOLE"
40	74780516		SUB= 77394
41	10040500		LOCKWASHER
42	19112410		WASHER
43	123934X		HEIGHT INDICATOR

20 HP 50" TRACTOR - - MODEL NUMBER AYP8209A49

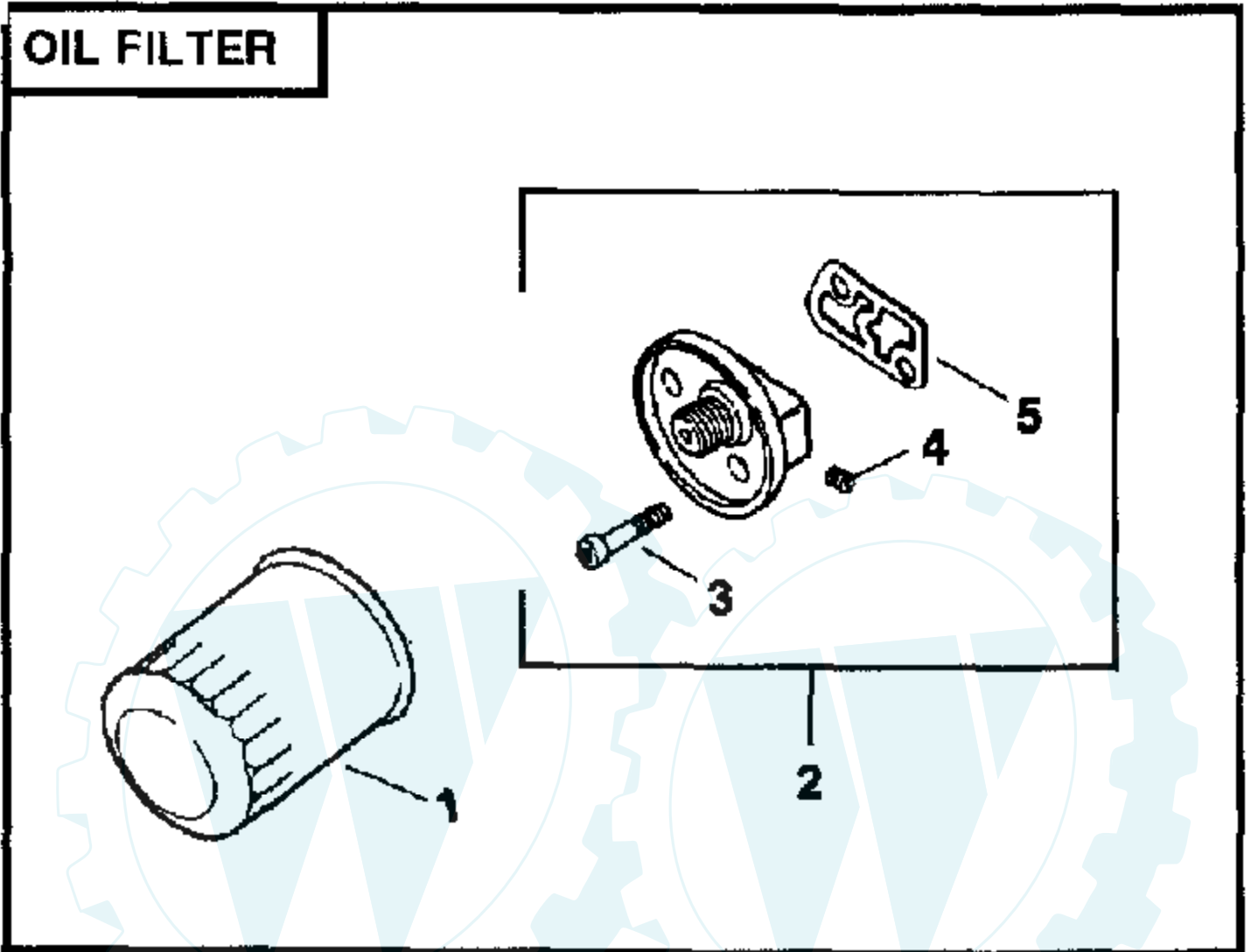
MOWER DECK



Ref #	Part Number	Qty	Description
1	136457		DECK ASM MWR 50VT
2	73800500		NUT
3	72110506		SUB= 72270506
4	7631J		RUNNER-LH M
5	138457		BRKT.ASM.SW.44/50
6	4939M		SUB= 85902
7	130832		SUB= 130833
8	850857		BLADE BOLT
9	10030600		SUB= 10040600
10	140296		WASHER.HARD.BLADE
11	137380		"BLADE.50"" HD"
12	129895		BEARING.BALL
13	137553		SHAFT.ASM.W/BRNG
14	137152		HOUSING.MAND.44.V
15	110485X		BEARING
16	136929		SUB= 140329
17	106735X		ROD-HINGE T
18	19111016		WASHER
19	105304X		CAP-SLEEVE LT
20	123713X		SPRING TORSION
21	137607		BRKT DEFLECTOR
22	110452X		NUT PUSH M
23	110509X		DEFLECTOR
24	136320		"RUNNER RH 50"" DK"
25	19111216		WASHER M
26	72110614		BOLT
27	19131316		WASHER
28	132823		SUB= 532132823
29	73800600		NUT
30	138776		SUB= 157722
31	137266		SUB= 139729
32	129861		SUB= 153535
33	129963		WASHER
34	72140610		BOLT.3/8-14X1.25
35	72110616		BOLT
36	72110608		BOLT D
37	137166		STIFFENER.ARM.IDL
38	137554		SUB= 918137554
39	131494		FLAT IDLER PULLEY
40	136572		"PULLEY.DRIVEN.44"""
42	72140506		BOLT
43	136460		"ARM.IDLER.SEC.44"""
44	122052X		SPACER RETAINER
45	73680600		SUB= 73690600
46	74760628		BOLT
47	137200		"COVER.MAND.RH.44"""
48	137729		SCREW.1/4-20X5/8
49	136574		COVER.MANDREL.LH
50	137272		ARM.IDLER.PRIMARY
51	137273		"SPRING.SEC.44""VEN"
52	139245		PULLEY.IDLER.VGRO
53	137789		SHIELD.IDLER.44.V
54	139573		BELT V PRIM 50
55	138255		BELT.V.GDRIVE.95
56	138687		SPRING.EXT.DECK.
57	136577		BAR.ASM.GUAGE.WHL
58	133957		WHEEL GAGE DONUT
59	137644		BOLT.SHOULDER

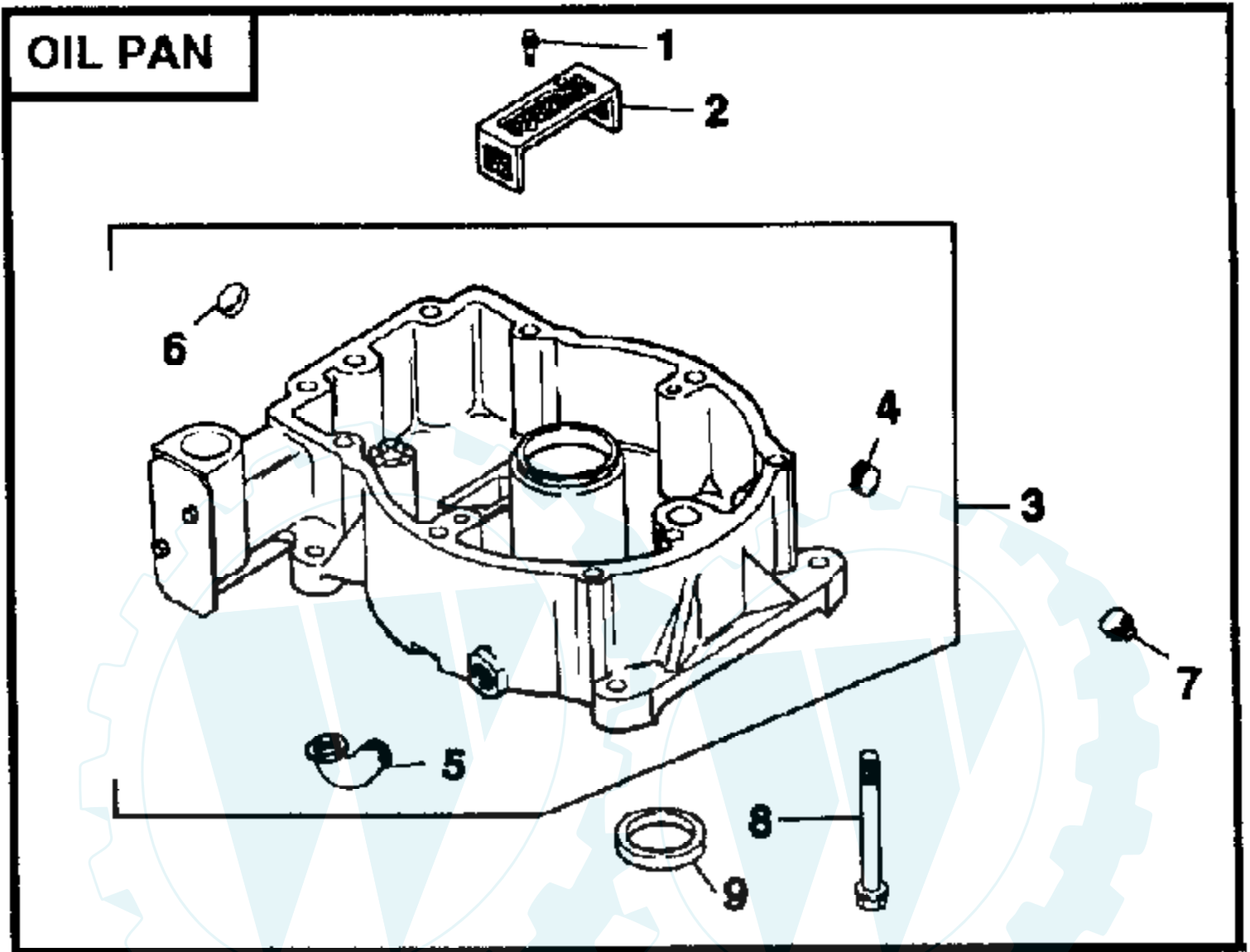
Ref #	Part Number	Qty	Description
60	139031		PIN.CLEVIS
61	136573		BRACKET.GUAGE.WHL
62	133943		HARDENED WASHER
63	72110612		BOLT.3/8-16X1.50
64	19121414		WASHER
65	102403X		IDLER-FLAT T
66	139622		SUB= 918139622
67	73930600		LOCKNUT
68	74760616		BOLT
69	132273		SUB= 532132273
70	132274		SUB= 532132274
72	19171416		WASHER
76	132264		SUB= 532132264





Ref #	Part Number	Qty	Description
1	X-67-64		SCREW
2	52-050-03		FILTER
3	52-199-14		OIL PAN
4	X-702-14		PLUG, CUP 1-1/16
5	52-054-07		ELBOW, STREET
6	X-75-38		PLUG, 1/4
7	X-75-10		PLUG
8	52-086-12		SCREW
9	52-032-10		SEAL

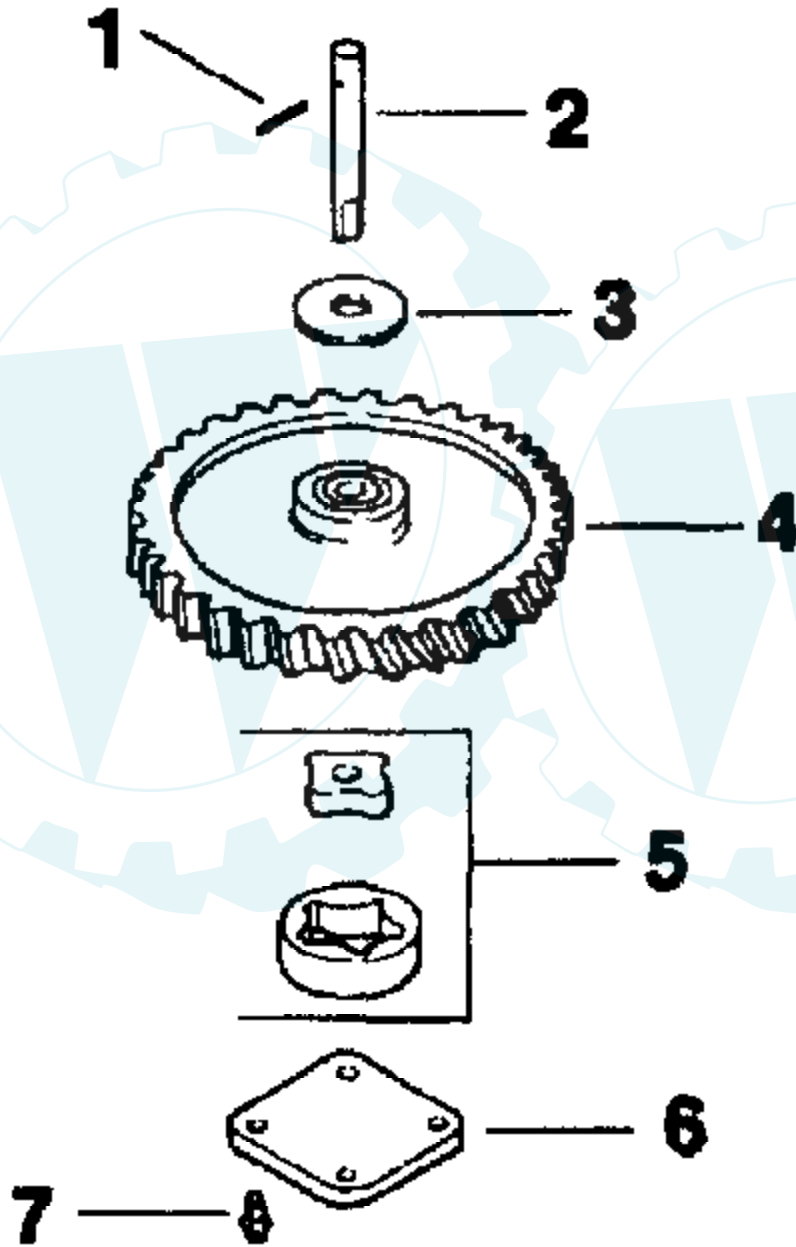




Ref #	Part Number	Qty	Description
1	X-67-64		SCREW
2	52-050-03		FILTER
3	52-199-14		OIL PAN
4	X-702-14		PLUG, CUP 1-1/16
5	52-054-07		ELBOW, STREET
6	X-75-38		PLUG, 1/4
7	X-75-10		PLUG
8	52-086-12		SCREW
9	52-032-10		SEAL



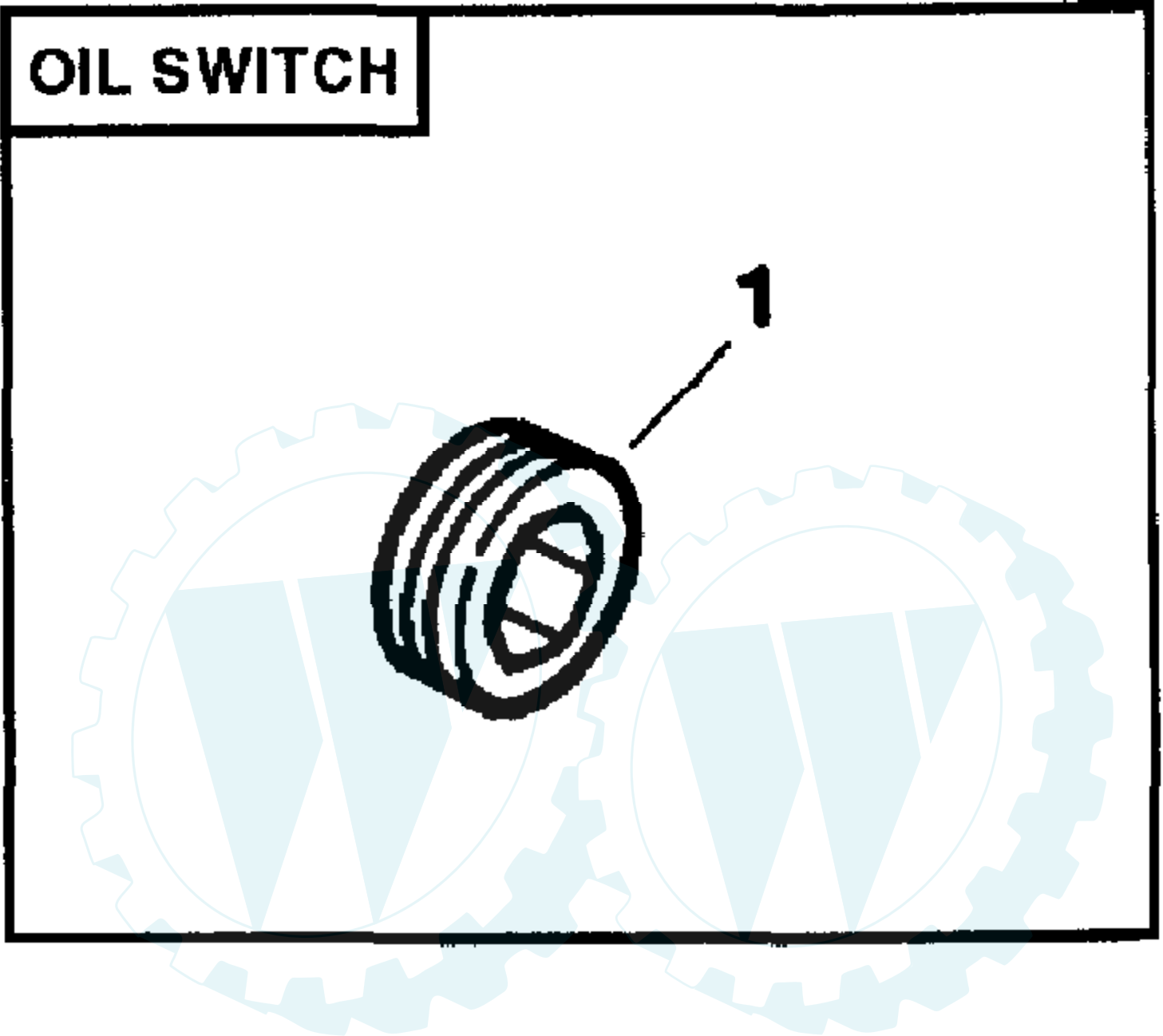
OIL PUMP



Ref #	Part Number	Qty	Description
1	X-280-25		PIN, ROLL
2	52-144-05		SHAFT OIL PUMP
3	52-422-01		SPACER
4	52-043-05		GEAR OIL PUMP
5	52-393-09		ROTOR SET
6	52-096-03		COVER OIL PUMP
7	X-67-64		SCREW
	82-522-30		SHORT BLOCK
	52-755-94		GASKET SET

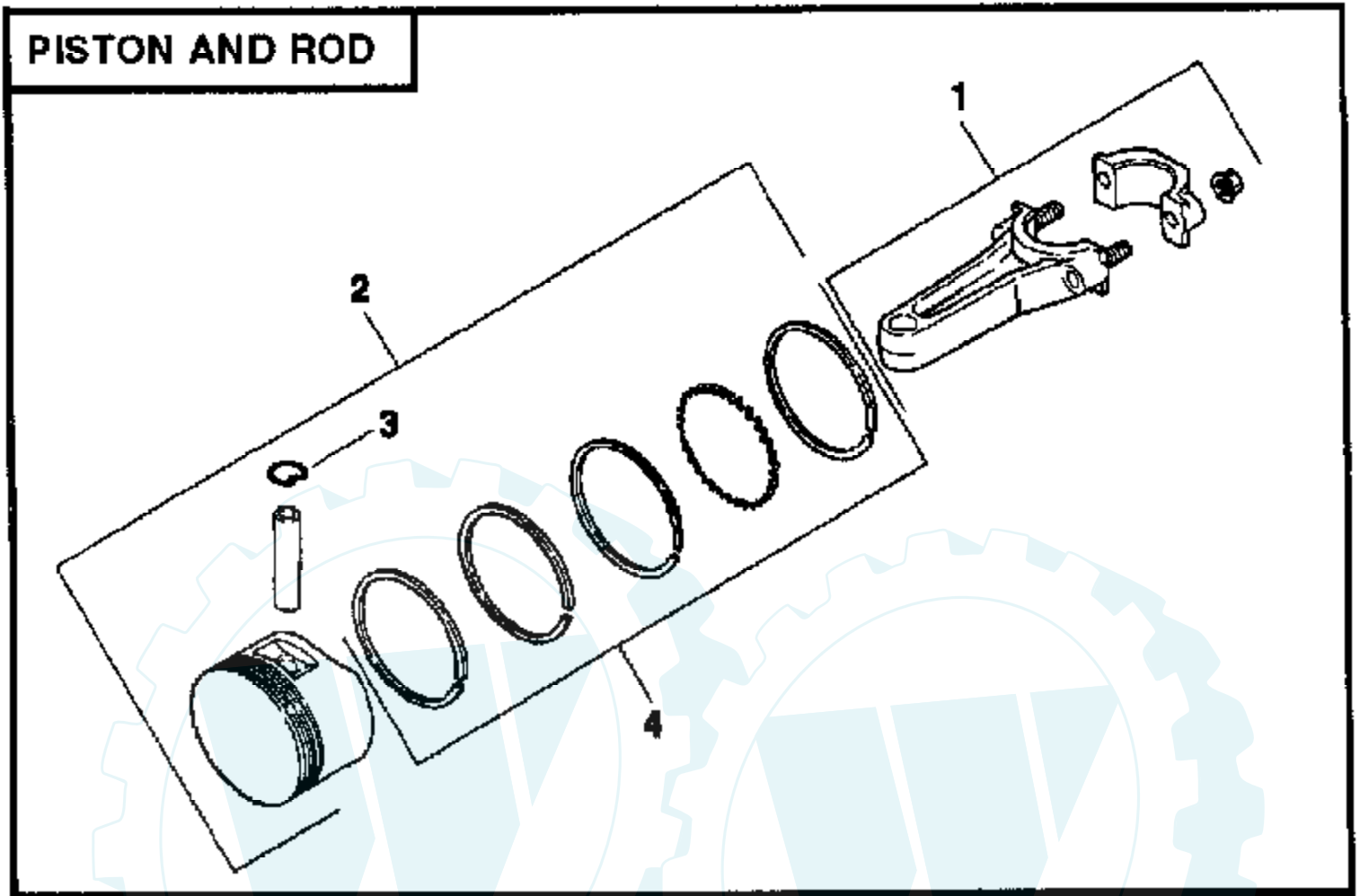


OIL SWITCH



Ref #	Part Number	Qty	Description
1	X-75-23		PLUG



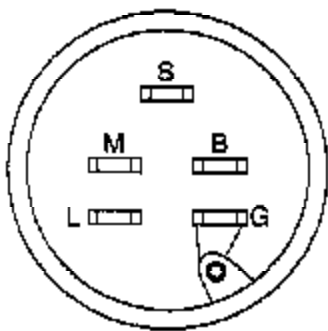
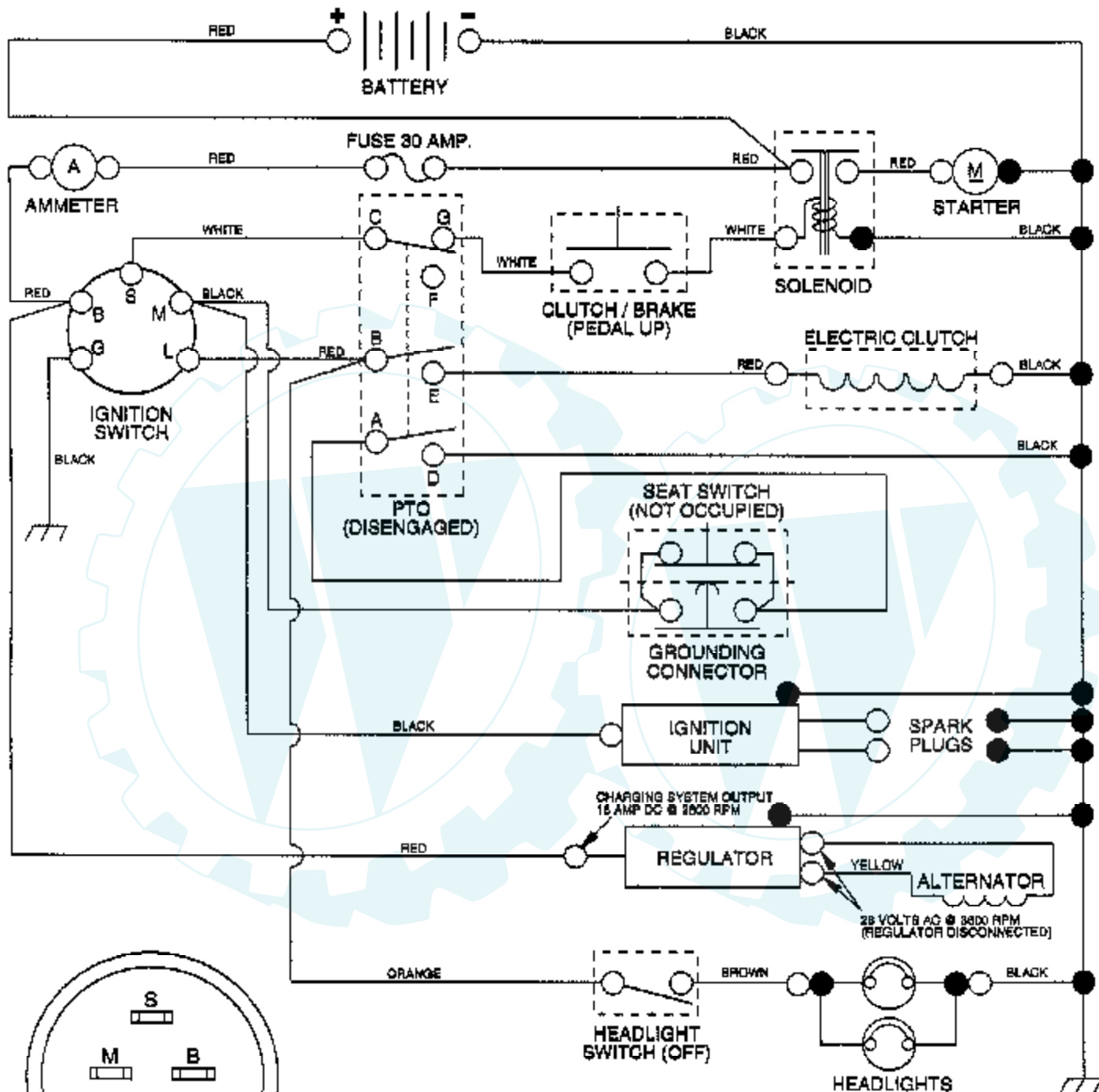


Ref #	Part Number	Qty	Description
1	52-067-67		CONNECTING ROD
1A	52-067-68		CONNECT. ROD .010"
2	52-874-11		PISTON W/RING SET
2A	52-874-12		PISTON W/RING SET .003"
2B	52-874-13		PISTON W/RING SET .010"
2C	52-874-14		PISTON W/RING SET .020"
2D	52-874-15		PISTON W/RING SET .030"
3	230004		RETAINER, PISTON PIN
4	52-108-09		RING SET, .003"
4A	52-108-10		RING SET, .010"
4B	52-108-11		RING SET, .020"
4C	52-108-12		RING SET, .030"



20 HP 50" TRACTOR -- MODEL NUMBER AYP8209A49

SCHEMATIC



IGNITION SWITCH

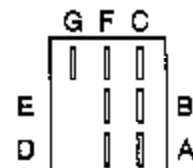
POSITION	CIRCUIT
OFF	M + G
ON	B + L
START	B + S + L

NON-REMOVABLE CONNECTIONS

REMOVABLE CONNECTIONS

WIRING INSULATED CLIPS

NOTE: IF WIRING INSULATED CLIPS WERE REMOVED FOR SERVICING OF UNIT, THEY SHOULD BE REPLACED TO PROPERLY SECURE YOUR WIRING

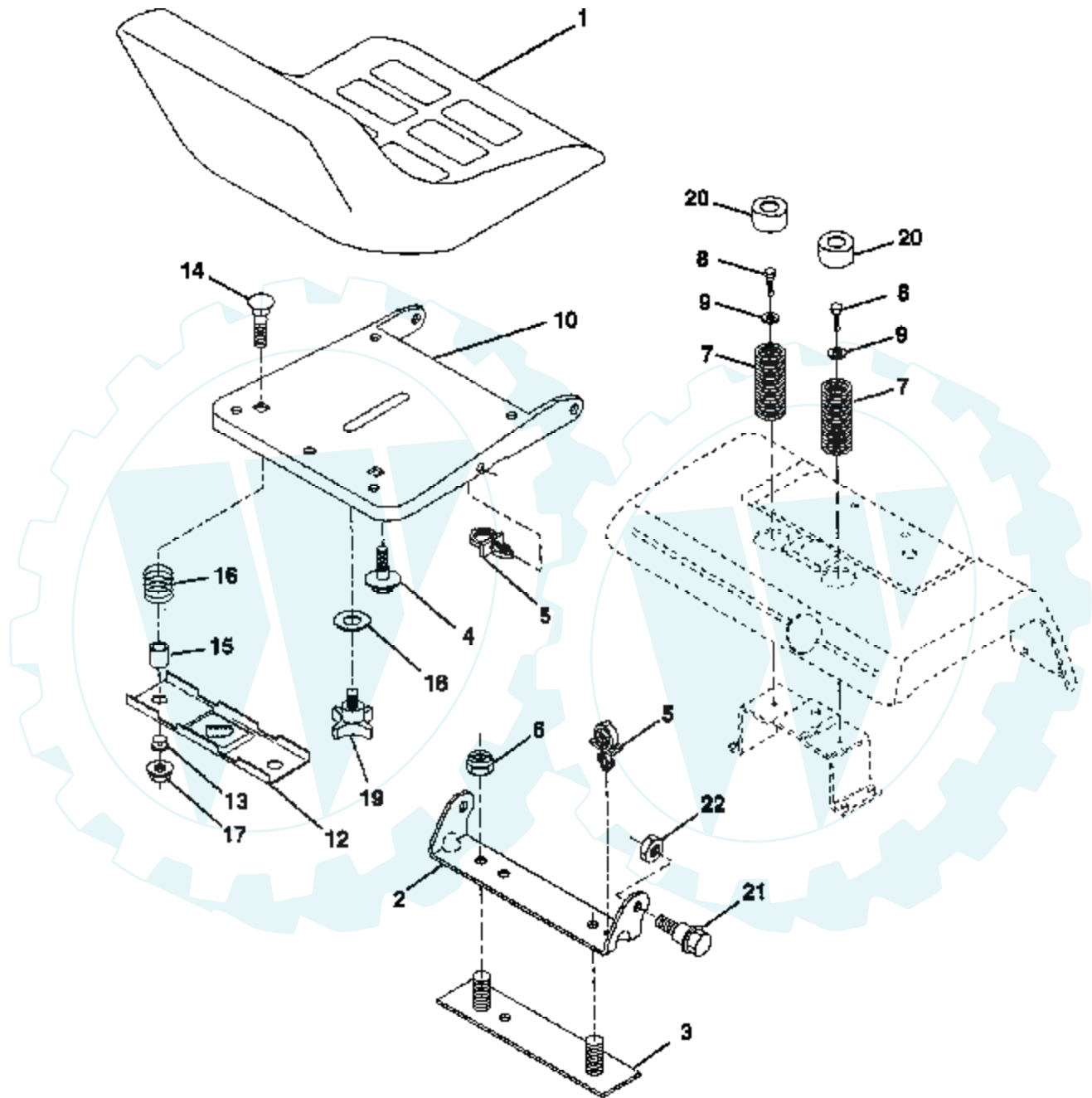


PTO SWITCH

POSITION	CIRCUIT
OFF	C + G
ON	C + F, B + E, A + D

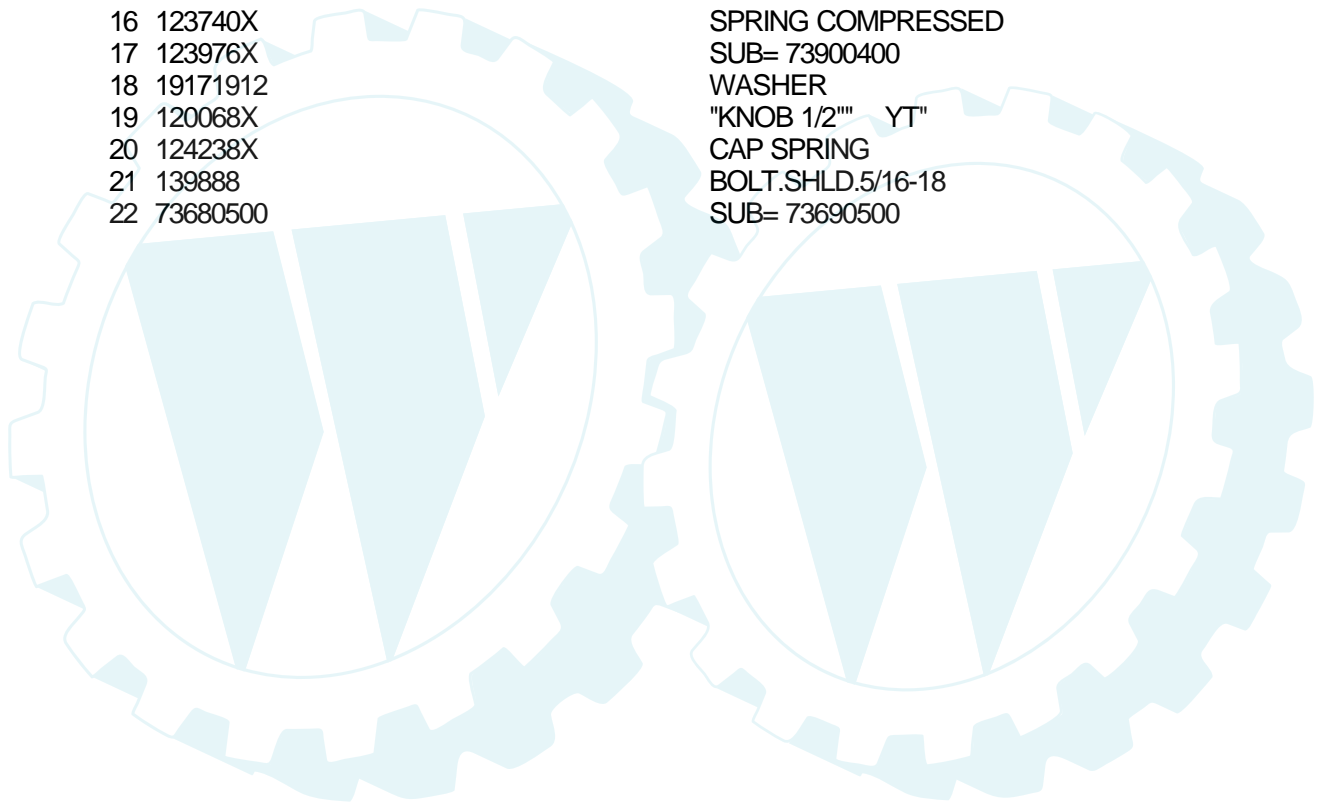
20 HP 50" TRACTOR - - MODEL NUMBER AYP8209A49

SEAT ASSEMBLY



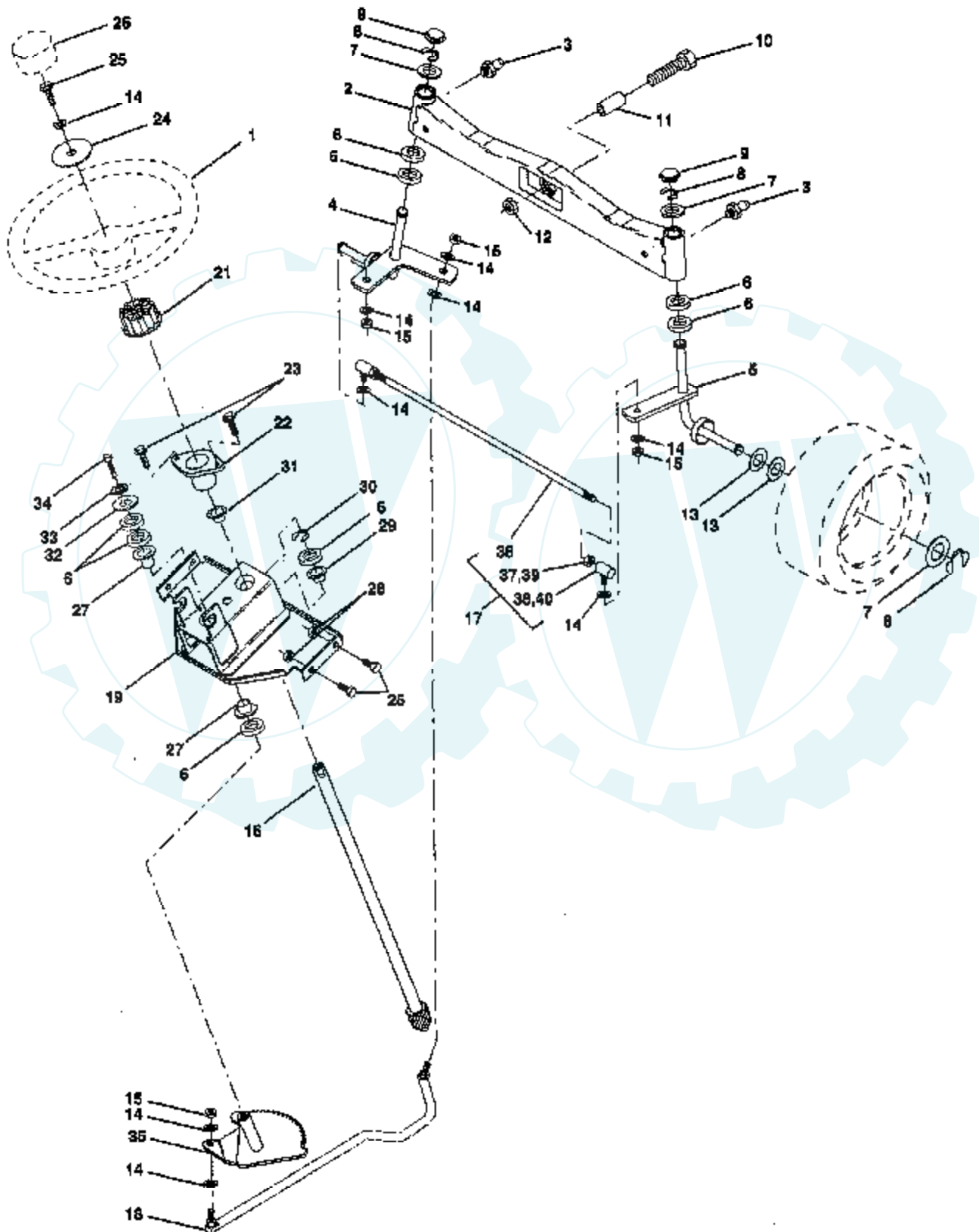
NOTE: All component dimensions given in U.S. inches
1 inch = 25.4 mm

Ref #	Part Number	Qty	Description
1	127440		SUB= 140121
2	140551		BRACKET PVT SEAT
3	140675		STRAP ASM FENDER
4	127018X		"BOLT,SHOULDER"
5	140407		CLIP PUSH - IN
6	73800600		NUT
7	124181X		SPRING COMPRESSIO
8	17490508		SCREW LT
9	19131614		WASHER
10	140552		SUB= 155925
12	121246X		BRKT SWITCH
13	121248X		BUSHING
14	72050411		SUB= 872050411
15	121249X		SPACER SPLIT
16	123740X		SPRING COMPRESSED
17	123976X		SUB= 73900400
18	19171912		WASHER
19	120068X		"KNOB 1/2" YT"
20	124238X		CAP SPRING
21	139888		BOLT.SHLD.5/16-18
22	73680500		SUB= 73690500



20 HP 50" TRACTOR - - MODEL NUMBER AYP8209A49

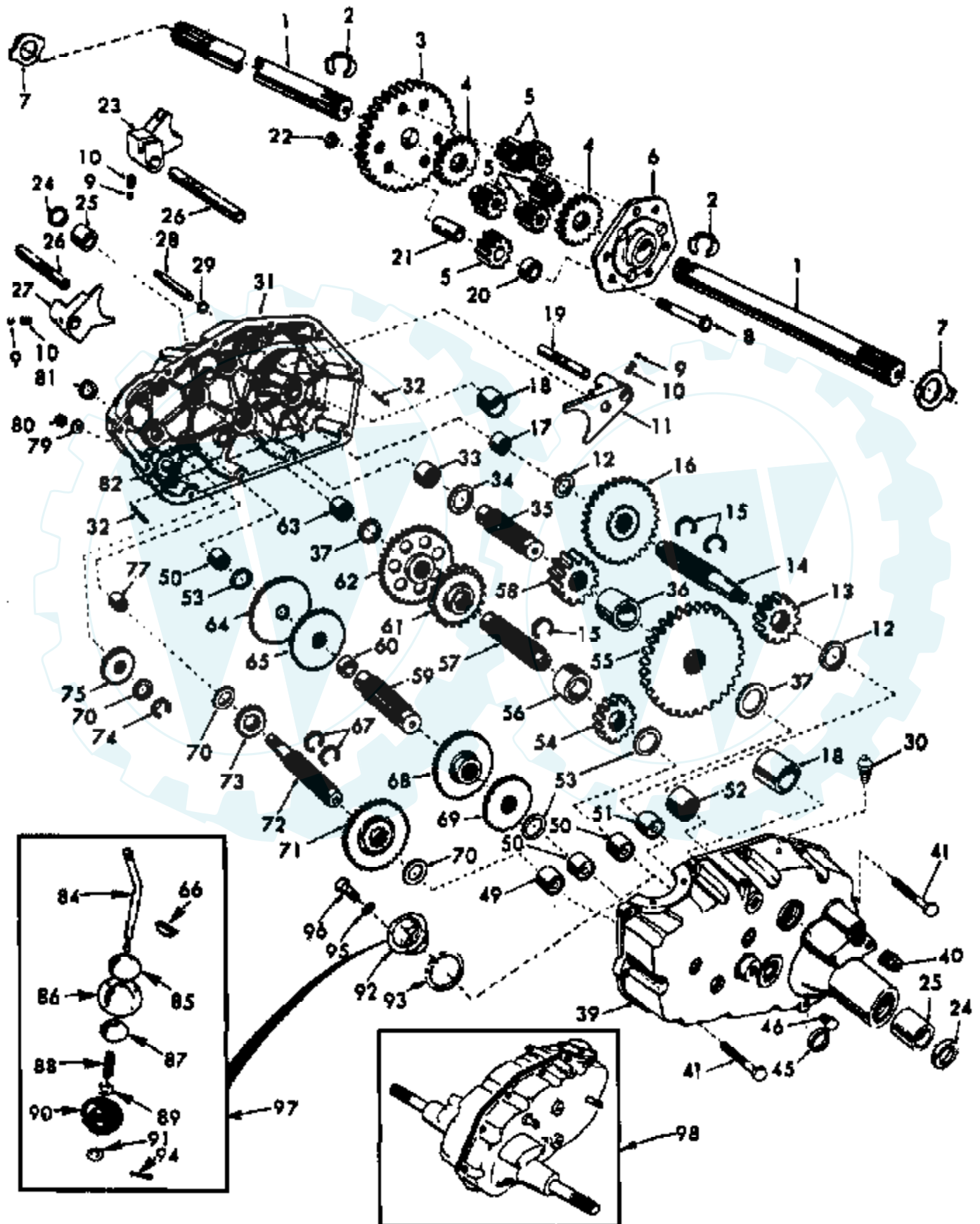
STEERING ASSEMBLY



Ref #	Part Number	Qty	Description
1	121472X		SUB= 150546
2	137094		SUB= 532137094
3	6855M		ZERK M
4	136960		SPINDLE.ASM.LH
5	136959		SUB= 918136959
6	6266H		WASHER .T
7	121748X		WASHER
8	12000029		RING
9	121232X		CAP
10	74781044		BOLT
11	136518		SPACER BEARING
12	73901000		"NUT-LOC,FLANGE LT"
13	121749X		WASHER
14	10040600		LOCKWASHER
15	73610600		SUB= 7810H
16	104591X		SHAFT STEERING GT
17	137347		ROD.ASM.TIE.BALL
18	137155		DRAGLINK.BALL.JOI
19	138053		SUB= 144673
21	100711L		ADAPTER LT
22	1554J		SUB= 155108
23	17431008		SUB= 98000165
24	19133808		WASHER T
25	74780616		BOLT
26	126805X		"INSERT,STR WHEEL"
27	3366R		COL. SRTG. BEAR.
28	73800600		NUT
29	104239X		"FLANGE GT, BEAR."
30	12000034		KLIP RING
31	138136		BUSHING.NYLINER.
32	19111610		WASHER
33	10040500		LOCKWASHER
34	74760512		BOLT
35	138059		GEAR.ASM.SECTOR.
36	137156		SUB= 137347
37	73360600		NUT
38	109850X		JOINT.RH
39	73700600		NUT
40	109851X		JOINT.LH

20 HP 50" TRACTOR - - MODEL NUMBER AYP8209A49

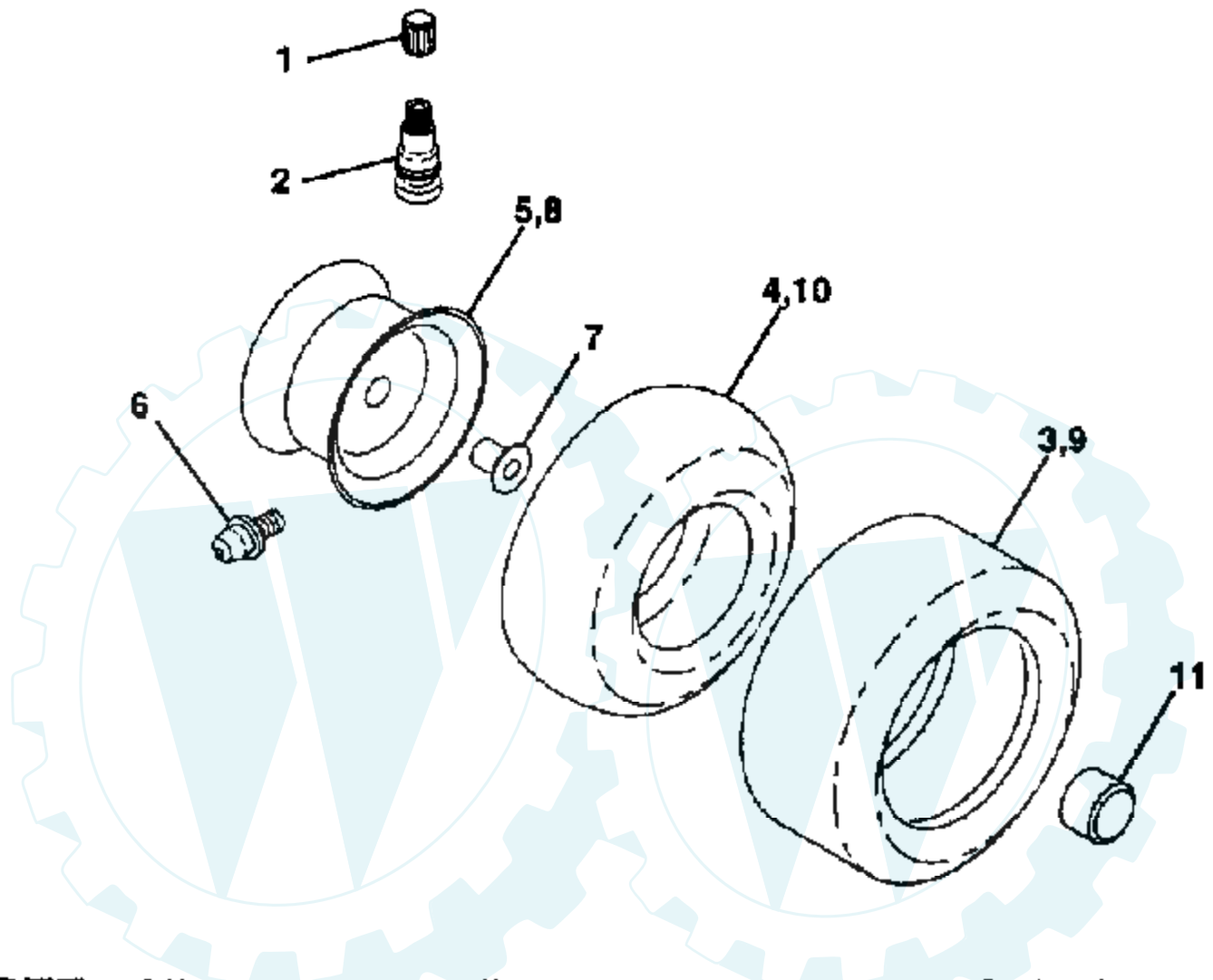
TRANSAXLE



Ref #	Part Number	Qty	Description
1	4197R		SHAFT.AXLE.T
2	12000034		KLIP RING
3	4199R		FINAL GEAR T
4	4216R		DIFF GEAR T
5	4215R		DIFF PINION T
6	4217R		DIFF CARRIER T
7	6256H		WASHER T
8	74020652		BOLT
9	7392M		SUB= 100482K
10	137261		SUB= 145359
11	4985R		SHIFT FORK T
12	6266H		WASHER .T
13	4212R		RED PINION T
14	137125		SHAFT BRAKE GT
15	6276H		SNAP RING T
16	633A63		GEAR T
17	8118M		"T, BEARING"
18	8740H1		BEARING
19	122238X		SHAFT
20	4218R		SPACER T
21	6252H1		PINION RS
22	7810H		GRIPCO NUT
23	6262H		FORK T
24	7393R		OIL SEAL STD
25	992R1		BRNG. T
26	139111		SHIFT FORK SHAFT
27	4986R		SHIFT FORK T
28	122254X		SHIFT SHAFT
29	6269H		SEAL T
30	5855H		VALVE M
31	139538		GEARCASE RH W/BER
32	6277H		PIN T
33	4225R		NEEDLE BRNG T
34	7396H		RACE T
35	4198R		GEAR SHAFT T
36	4200R		SUB= 532004200
37	7395H		RACE T
39	139536		GEARCASE LH W/BER
40	13320400		PLUG PIPE
41	17580520		BOLT.5/16-18X1.25
45	6271H		SEAL T
46	13060200		SUB= 13020200
49	4895H		"TI, BEARING"
50	4222R		NEEDLE BRNG T
51	1529R		NEEDLE BRNG T
52	8119M		"STD, BEARING"
53	4220R		BRNG RACE
54	4209R		RED PINION T
55	4213R		RED GEAR T
56	4442R		PINION SPACER T
57	4195R		GEAR SHAFT T
58	4214R		FINAL PINION T
59	4194R		GEAR SHAFT T
60	7528R		SPACER T
61	4208R		RED PINION T
62	4207R		RED GEAR T
63	7398H		RACE T
64	4203R		LOW SPEED GEA T

Ref #	Part Number	Qty	Description
65	4204R		REVERSE GEAR T
66	2898J		KEY T
67	12000033		KLIP RING
68	4205R		INTERMED GEAR T
69	4206R		SUB= 532004206
70	1370H		"T, BEARING"
71	633A69		CLUSTER GEAR T
72	139120		SHAFT INPUT
73	4201R		LO SPEED PINION T
74	12000008		KLIP RING
75	1153R		IDLER GEAR T
77	6803J		NEEDLE BEARING TI
79	1167R		WASHER T
80	73360700		NUT
81	6270H		SEAL STD
82	136984		SHAFT REVERSE IDL
84	5384J		GEAR SHIFT LVR T
85	2978J		CAP T
86	633A85		COVER AND PIN T
87	8739H1		GUIDE BALL T
88	4924H		SPRING TI
89	19151516		WASHER
90	110542X		SEAL T
91	19181511		WASHER
92	75J		GEAR SHIFT GA T
93	6274H		GASKET T
94	76020412		COTTER PIN
95	10040500		LOCKWASHER
96	74760514		BOLT
97	633A109		GEAR SHFT LVR T
98	140332		SUB= 161823

WHEELS & TIRES



NOTE: All component dimensions given in U.S. inches
1 inch = 25.4 mm

Ref #	Part Number	Qty	Description
1	59192		VALVE CAP
2	65139		VALVE STEM LT
3	106230X		SUB= 122075X
4	8134H		TUBE.16X6.5/7.5-8
5	106228X427		"RIM ASM 8" FRT"
6	6856M		ZERK FITTING M
7	9040H		"FLANGE, BEARING"
8	106277X427		"RIM ASM 12" REAR"
9	105588X		SUB= 122077X
10	7154J		TUBE.23X8/10-12
11	104757X		HUB CAP

