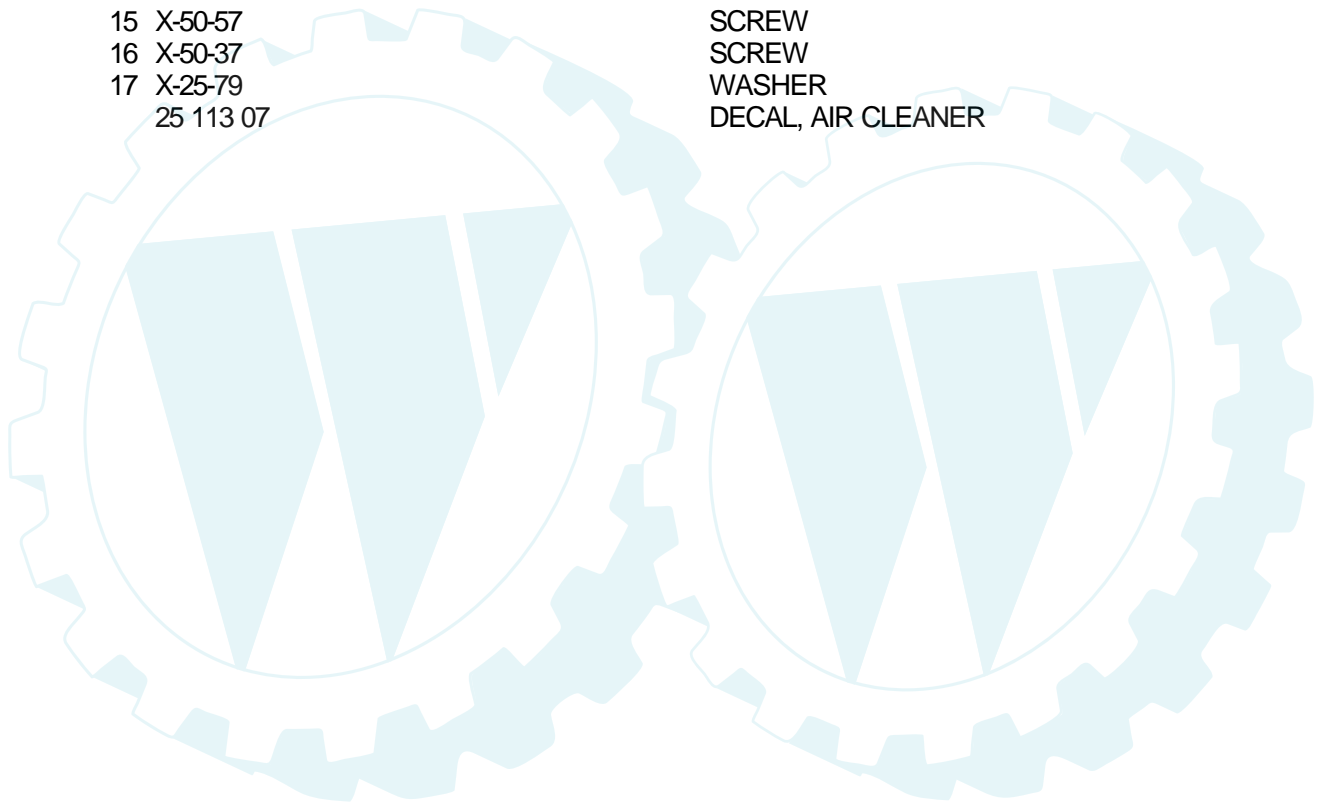
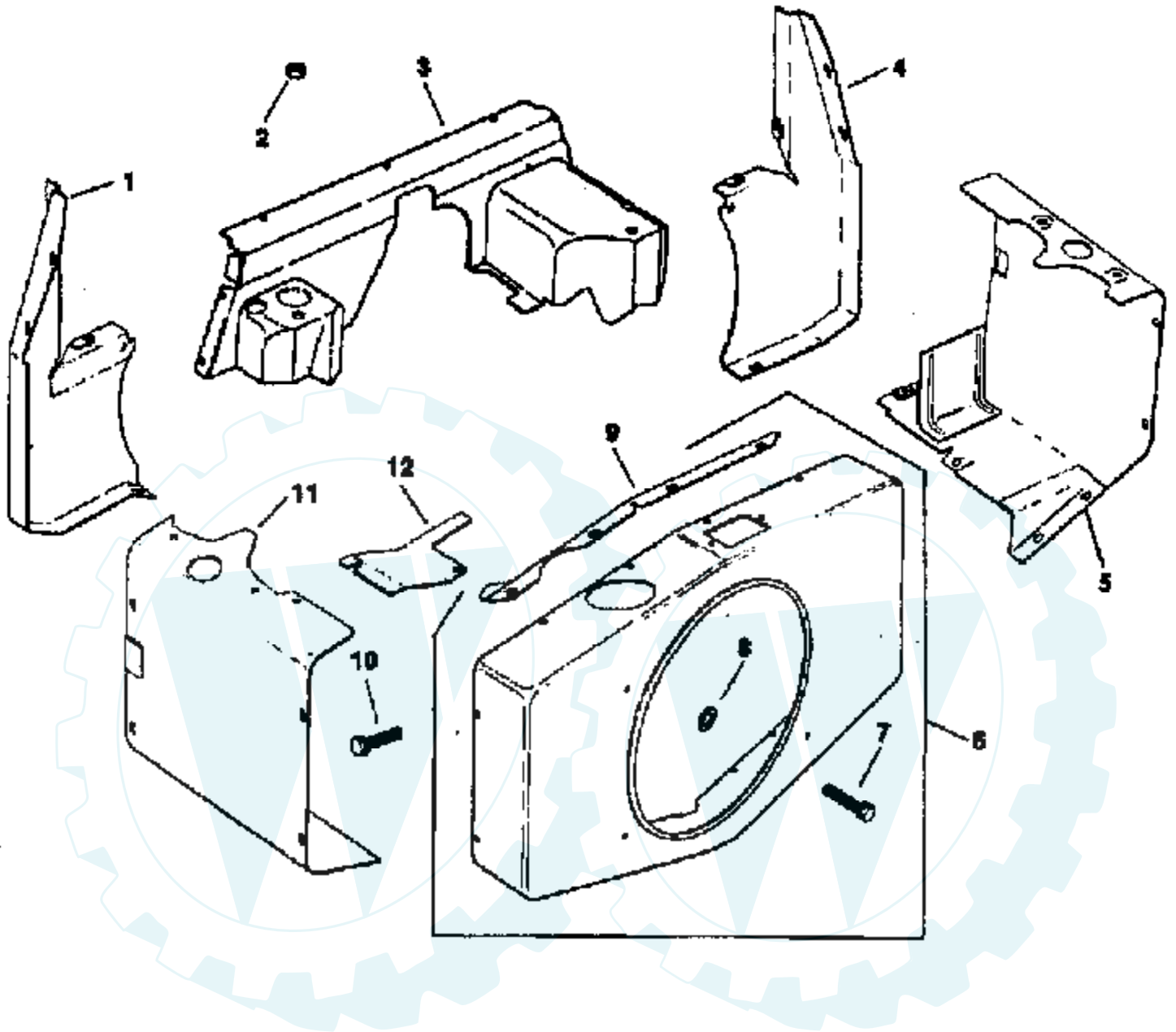


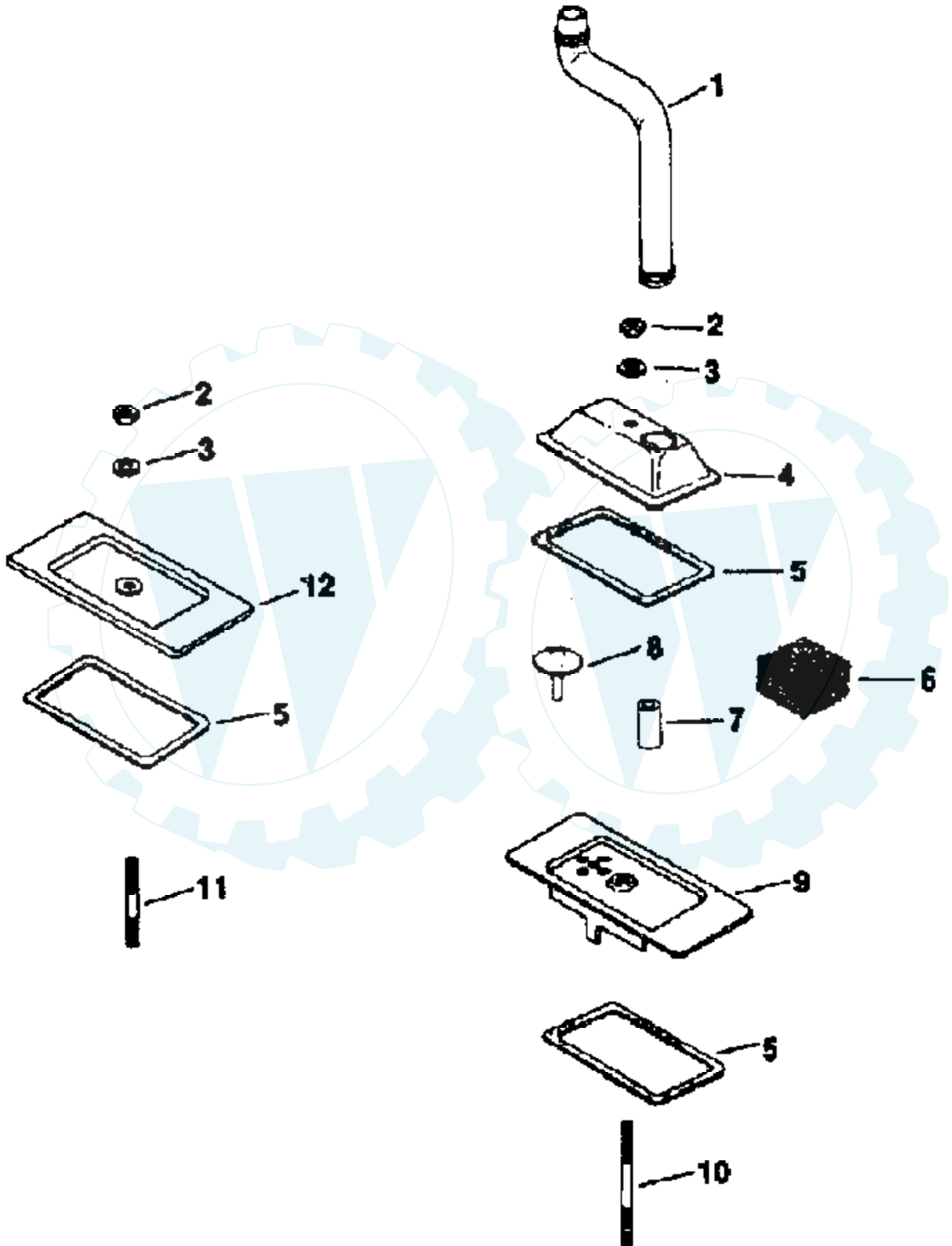
Ref #	Part Number	Qty	Description
1	X-276-7		WING NUT
2	52 096 36		COVER, AIR CLEANER
3	231032		SEAL ELEMENT
4	52 082 04		COVER, AIR CLEANER ELEMENT
5	45 083 01		PRE-CLEANER
6	45 083 02		ELEMENT, AIR CLEANER
7	237423		SEAL
8	X-67-98		SCREW
9	52 201 06		BASE, AIR CLEANER
10	277093		GASKET
11	52 754 01		KIT, ELBOW
12	52 086 11		SCREW
13	25 041 06		GASKET, ELBOW
14	X-22-9		WASHER
15	X-50-57		SCREW
16	X-50-37		SCREW
17	X-25-79		WASHER
	25 113 07		DECAL, AIR CLEANER





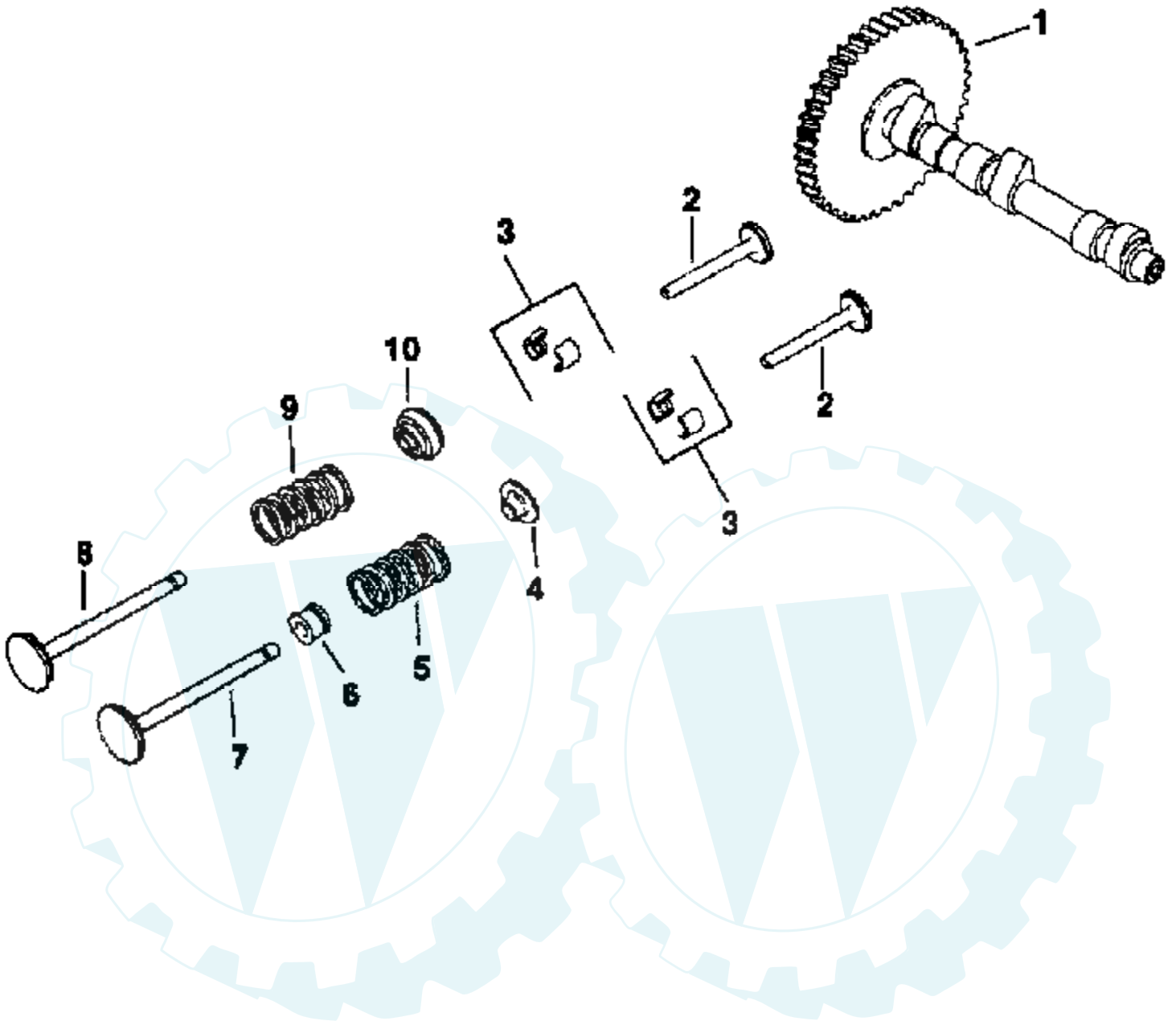
Ref #	Part Number	Qty	Description
1	52 281 23		DUCT, AIR
2	X-82-2		NUT
3	52 282 01		COVER, AIR DUCT
4	52 281 05		DUCT, AIR
5	52 063 36		BAFFLE
6	52 755 71		KIT, BLOWER HOUSING
7	52 086 11		SCREW
8	52 468 16		WASHER
9	52 217 01		SUPPORT, UPPER HOUSING
10	X-67-83		SCREW
11	52 063 30		BAFFLE
12	52 063 01		BAFFLE





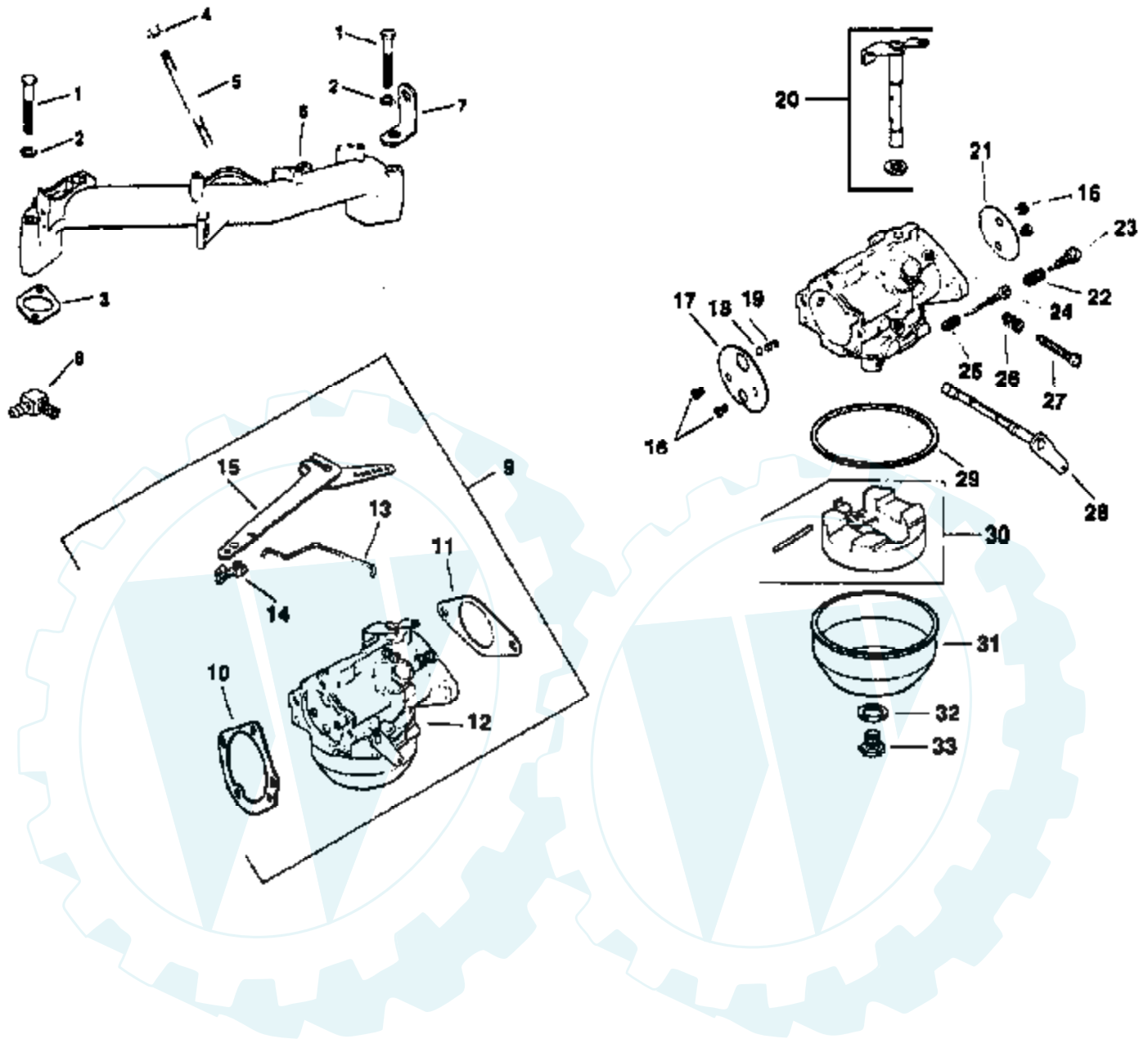
Ref #	Part Number	Qty	Description
1	52 326 05		HOSE, BREATHER
2	X-81-1		NUT
3	X-25-12		WASHER
4	52 096 08		COVER
5	52 055 01		GASKET, COVER
6	231419		FILTER, BREATHER
7	52 032 04		SEAL, BREATHER
8	52 462 01		VALVE, BREATHER
9	52 096 22		COVER
10	275220		STUD
11	X-352-39		STUD
12	52 096 18		COVER





Ref #	Part Number	Qty	Description
1	52 012 09		CAMSHAFT
2	52 019 03		TAPPET
3	41 755 10		KIT, RETAINER
4	230011		RETAINER, INTAKE VALVE
5	25 089 01		SPRING
6	52 032 13		SEAL
7	52 017 07		VALVE
8	52 016 06		VALVE
9	25 089 01		SPRING
10	52 413 01		ROTATOR

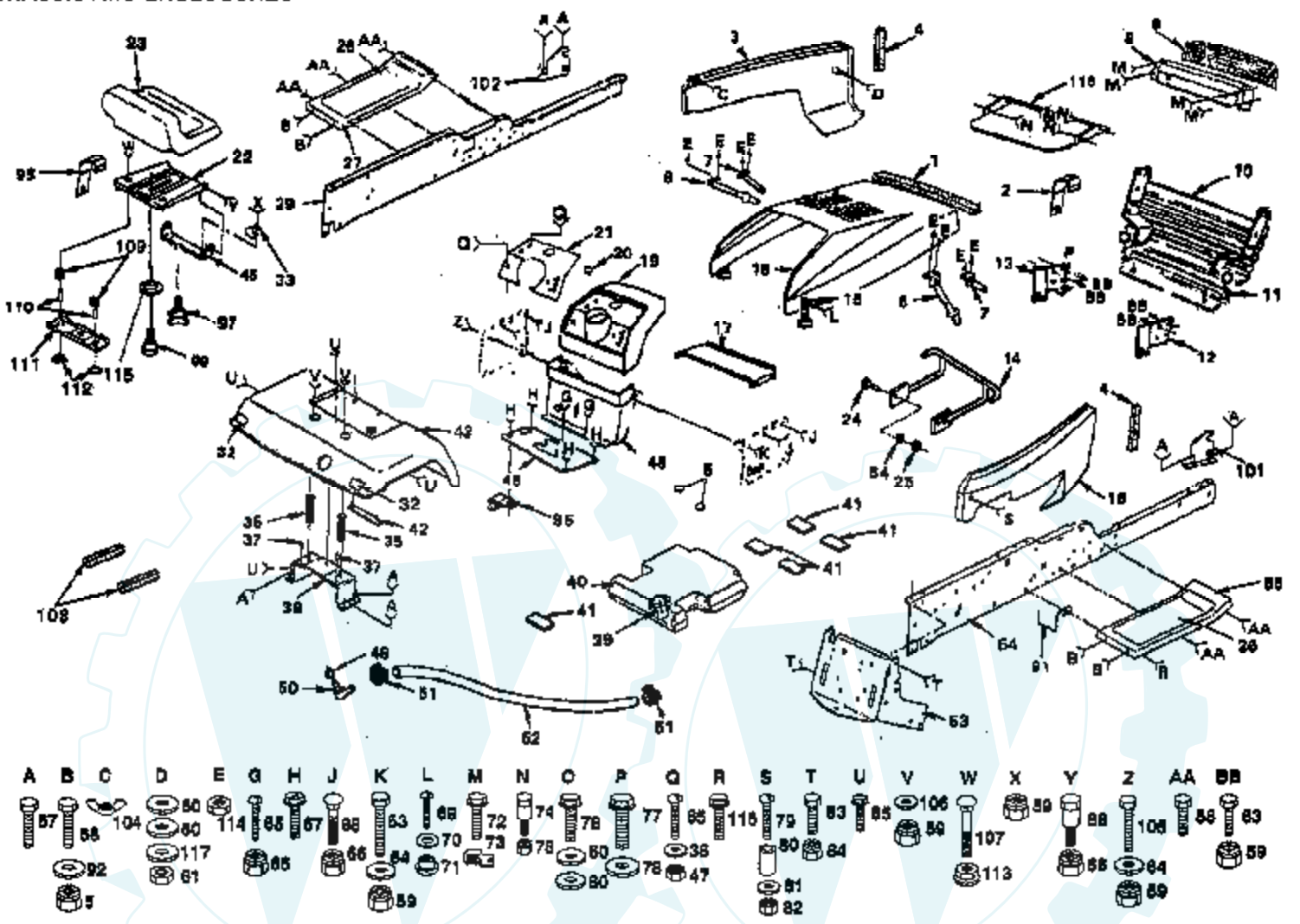




Ref #	Part Number	Qty	Description
1	X-6-8		SCREW
2	X-21-1		WASHER
3	52 041 09		GASKET, INTAKE
4	X-77-2		NUT
5	X-352-37		STUD
6	52 164 10		MANIFOLD, INTAKE
7	52 455 02		STRAP, LIFTING
8	25 155 02		CONNECTOR, HOSE
9	52 853 27		KIT
10	25 041 06		GASKET, ELBOW
11	271030		GASKET
12	52 053 63		CARBURETOR ASSEMBLY
	52 053 58		(NOT AVAILABLE SEPERATELY)
13	82 755 07		KIT, GOVERNOR LINKAGE
14	25 158 09		BUSHING
15	52 186 06		ARM
16	25 086 27		SCREW, THROTTLE PLATE
17	25 146 03		PLATE, CHOKE
18	25 194 01		BALL, CHOKE, FRICTION
19	25 089 03		SPRING, CHOKE, FRICTION
20	52 144 18		SHAFT
21	25 146 02		PLATE
22	25 089 02		THROTTLE
23	25 368 01		SPRING
24	25 368 03		NEEDLE
25	25 089 02		THROTTLE
26	25 089 04		SPRING
27	25 086 26		SCREW
28	52 090 12		LEVER
29	25 041 04		GASKET
30	25 757 09		KIT
31	25 104 01		BOWL
32	25 041 03		GASKET
33	25 100 05		SCREW
	25 757 11		KIT

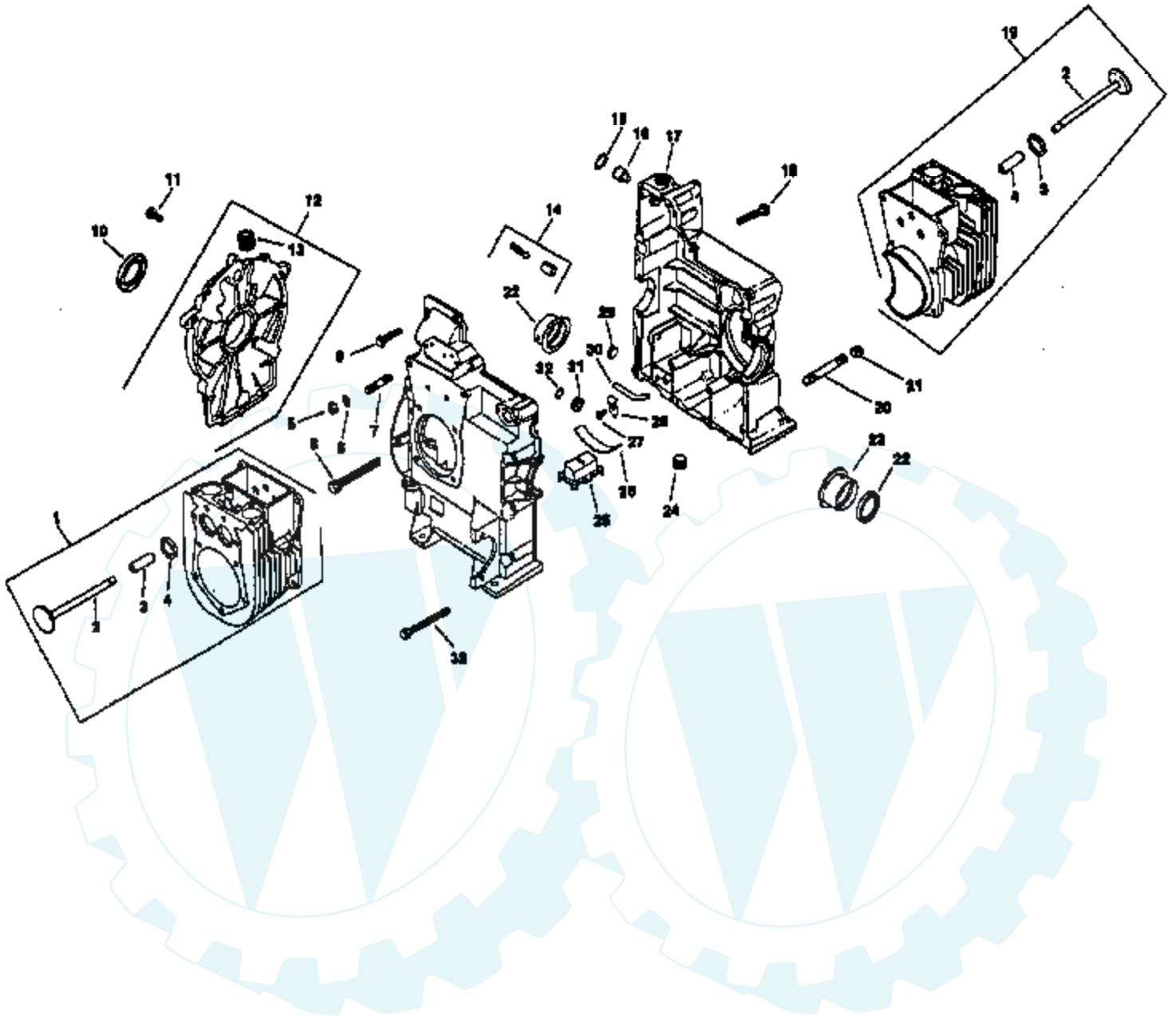
20 HP 50" TRACTOR - MODEL NUMBER AYP8208A29

CHASSIS AND ENCLOSURES

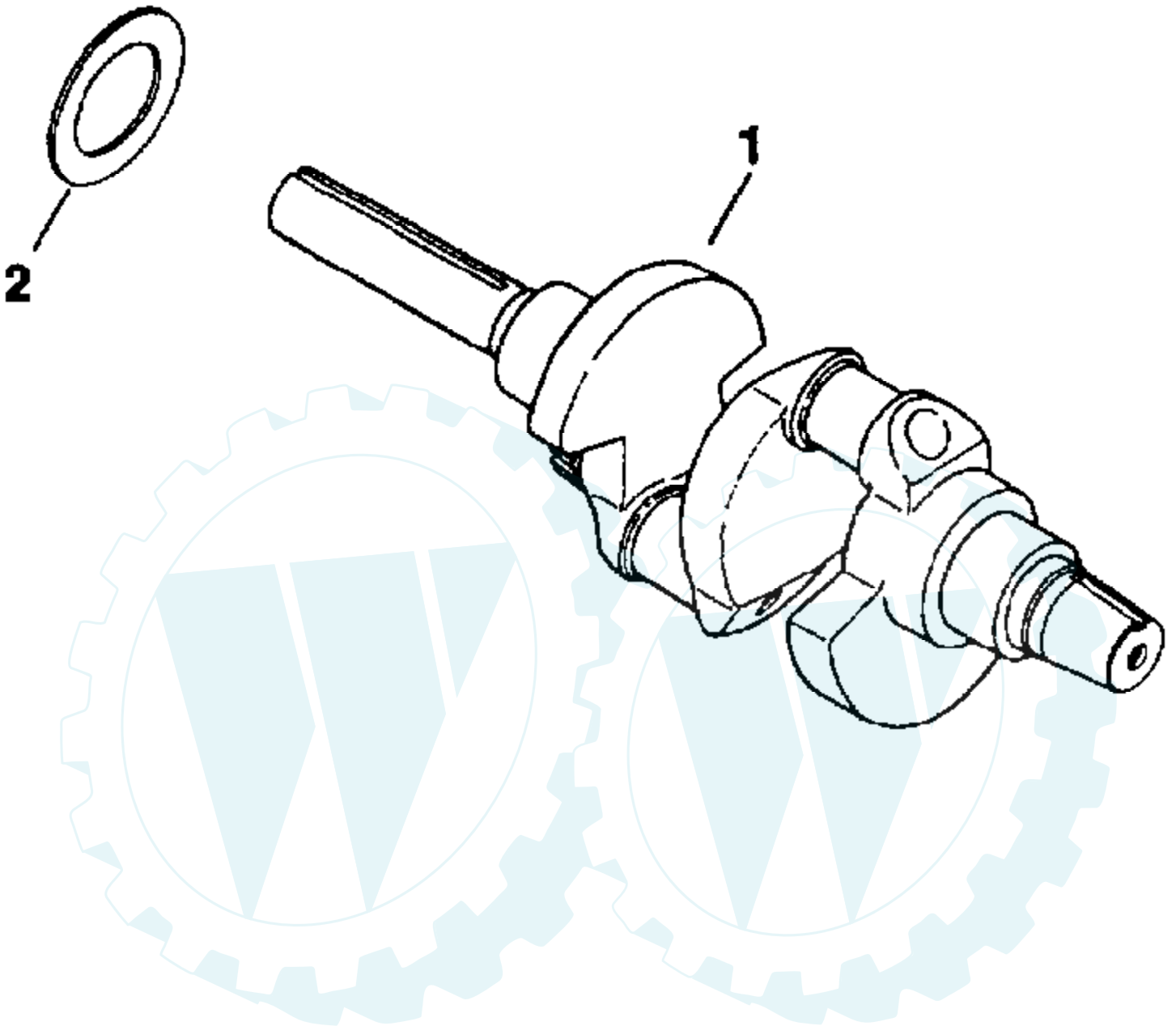


Ref #	Part Number	Qty	Description
1	109458X		FOAM STRIP T
2	128146		SUB= 532128146
3	132638X418		"PANEL,SIDE LH "
4	106088X		FOAM STRIP T
5	124238X		CAP SPRING
6	106784X		SUB= 155013
7	104618X		SUB= 155013
8	124392X417		SUB= 147717
9	106395X		LENS LT
10	122100X		GRILL ASSY
11	105419X505		GRILL STRAP
12	110854X		SUPPORT RH YTH
13	110855X		SUPPORT LH YTH
14	135258		BUMPER ASSY.
15	109808X		HOOD LATCH T
16	132639X418		"PANEL,SIDE RH "
17	7985J		SUB= 140229
18	132635X505		SUB= 150301X505
19	124252X		SUB= 140398
20	8022J		PLUG-DASH T
21	121444X016		DASH PLATE
22	131451		SUB= 155925
23	127440		SUB= 140121
24	74780616		BOLT
25	73680600		SUB= 73690600
26	133671		FOOTREST PAD
27	105465X505		SUB= 145244X505
29	110893X		SUB= 151630
32	106202X		REFLECTOR-TAIL YT
33	2751R		CLIP T
35	124181X		SPRING COMPRESSIO
36	19111116		WASHER
37	105531X		NUT-PUSH YT
38	105509X		SUB= 137113
39	123549X		SUB= 158990
40	106020X		SUB= 151346
41	106082X		PAD-SPACER LT
42	105511X		SUB= 140675
43	121642X505		FENDER
45	126656X		SUB= 140551
46	106042X012		COVER GATE SHIFT
47	73510500		NUT
48	104608X		DASH ASSEMBLY
49	3645J		BUSHING OUTLET T
50	8710J		FUEL TANK STEM GT
51	123487X		HOSE CLAMP
52	7834R		SUB= 8542R
53	7982J		SUB= 140506
54	110892X		SUB= 150383
55	105464X505		SUB= 145243X505
57	17490612		SCREW
58	74760612		SUB= 74780612
59	73680600		SUB= 73690600
60	19091216		WASHER PM
61	73220400		SUB= 50675
63	74760616		BOLT
64	19131316		WASHER
65	74180512		SCREW

Ref #	Part Number	Qty	Description
66	73680500		SUB= 73690500
67	17720408		SCREW
68	72140506		BOLT
69	74191008		SCREW
70	10071000		LOCKWASHER
71	2029J		WELDNUT
72	17211010		SCREW LT
73	104755X		""J"" FASTENER LT"
74	123481X		SUB= 7605J
75	73680400		SUB= 73690400
76	17190412		SCREW
77	17490512		SCREW
78	19111212		WASHER
79	74981020		SCREW
80	7206J		SPACER LT
81	19070818		WASHER
82	73731000		NUT
83	74760716		BOLT
84	73680700		NUT GTV
85	17490608		SCREW LT
88	105529X		SUB= 139888
91	105500X		BELT RETAINER GT
92	19131312		WASHER
95	4171R		CLIP T
97	120068X		"KNOB 1/2"" YT"
99	127018X		"BOLT,SHOULDER"
101	110853X		SUPPORT RH YTH
102	110852X		SUPPORT LH YTH
104	123198X		SUB= 146525
105	74760620		SUB= 74780620
106	19131614		WASHER
107	72050411		SUB= 872050411
108	121251X		STRIP FORM
109	123740X		SPRING COMPRESSED
110	121249X		SPACER SPLIT
111	121246X		BRKT SWITCH
112	121248X		BUSHING
113	123976X		SUB= 73900400
114	73510400		NUT
115	19171912		WASHER
116	17490616		SCREW GTV
117	19091016		WASHER
118	127637		"SHIELD,HEAT"

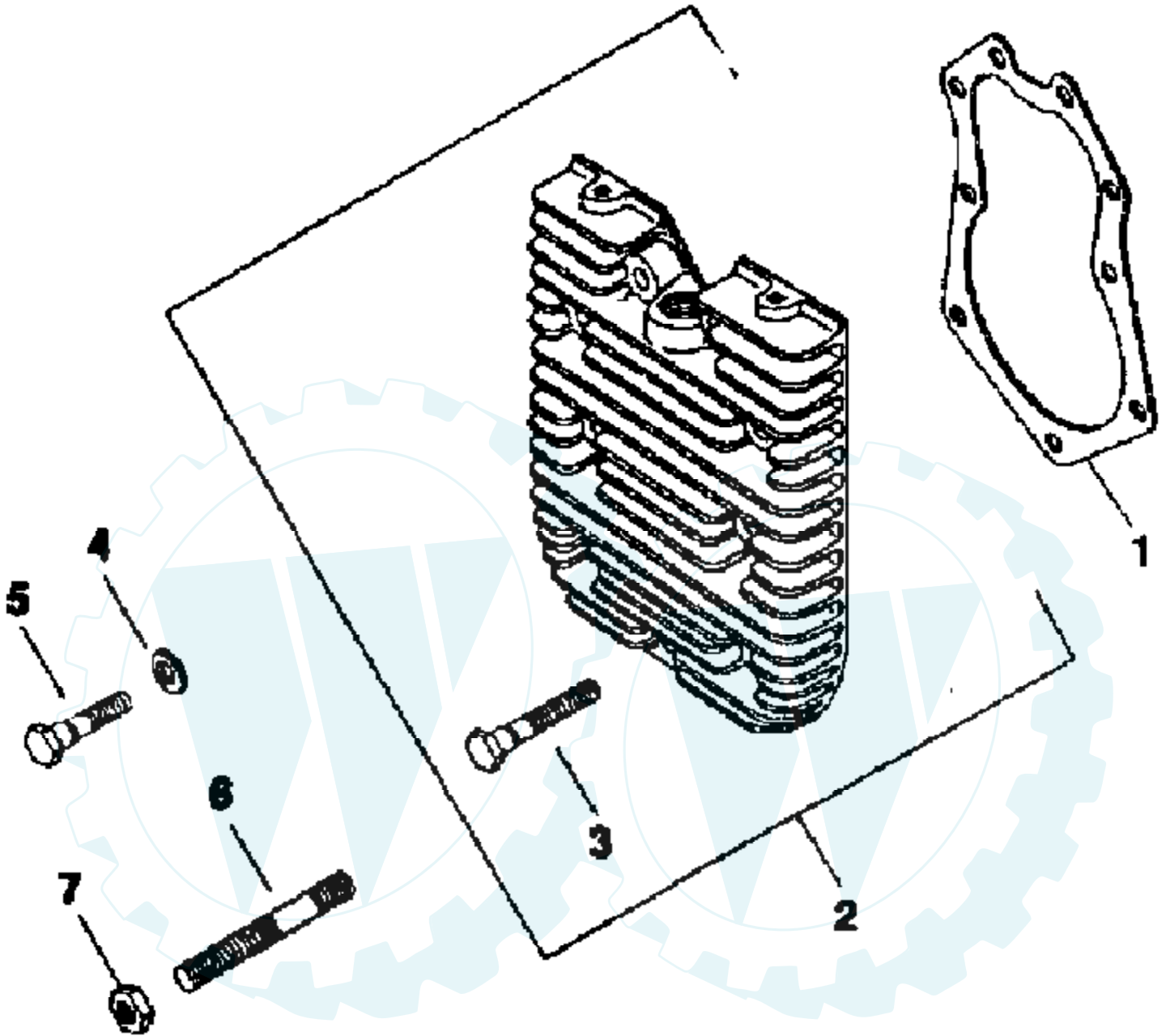


Ref #	Part Number	Qty	Description
1	82 755 19		KIT
2	52 016 05		VALVE, EXHAUST
3	52 316 06		GUIDE, VALVE
4	52 031 01		INSERT, VALVE
5	X-82-2		NUT
6	52 468 12		WASHER
7	52 072 12		STUD
8	25 086 13		SCREW
9	25 086 10		SCREW
10	X-583-5		SEAL
11	X-802-9		SCREW
12	52 755 57		KIT, CLOSURE PLATE
13	X-75-23		PLUG
14	52 755 50		KIT, OIL RELIEF
15	X-269-43		RING, RETAINING
16	52 078 05		SHAFT, GOVERNOR
17			REFER TO IMAGE
18	25 086 12		SCREW
19	82 755 18		KIT
20	12 136 07		NIPPLE, PIPE
21	12 173 03		CAP, PIPE
22	52 032 10		SEAL, OIL, FRONT
23	52 030 10		BEARING, SLEEVE
	52 030 11		BEARING, SLEEVE
	52 030 12		BEARING, SLEEVE
24	X-75-32		PLUG
25	52 095 03		HOUSING, OIL PICKUP
26	52 237 02		CLAMP, SPRING
27	X-67-64		SCREW
28	52 237 05		CLAMP, TUBE
29	X-702-15		PLUG, CUP
30	52 123 10		TUBE, DIPSTICK
31	52 139 08		PLUG
32	52 141 02		O-RING
33	25 086 11		SCREW



Ref #	Part Number	Qty	Description
1	52 014 76		CRANKSHAFT
2	52 468 03		WASHER
	52 468 04		WASHER
	52 468 05		WASHER



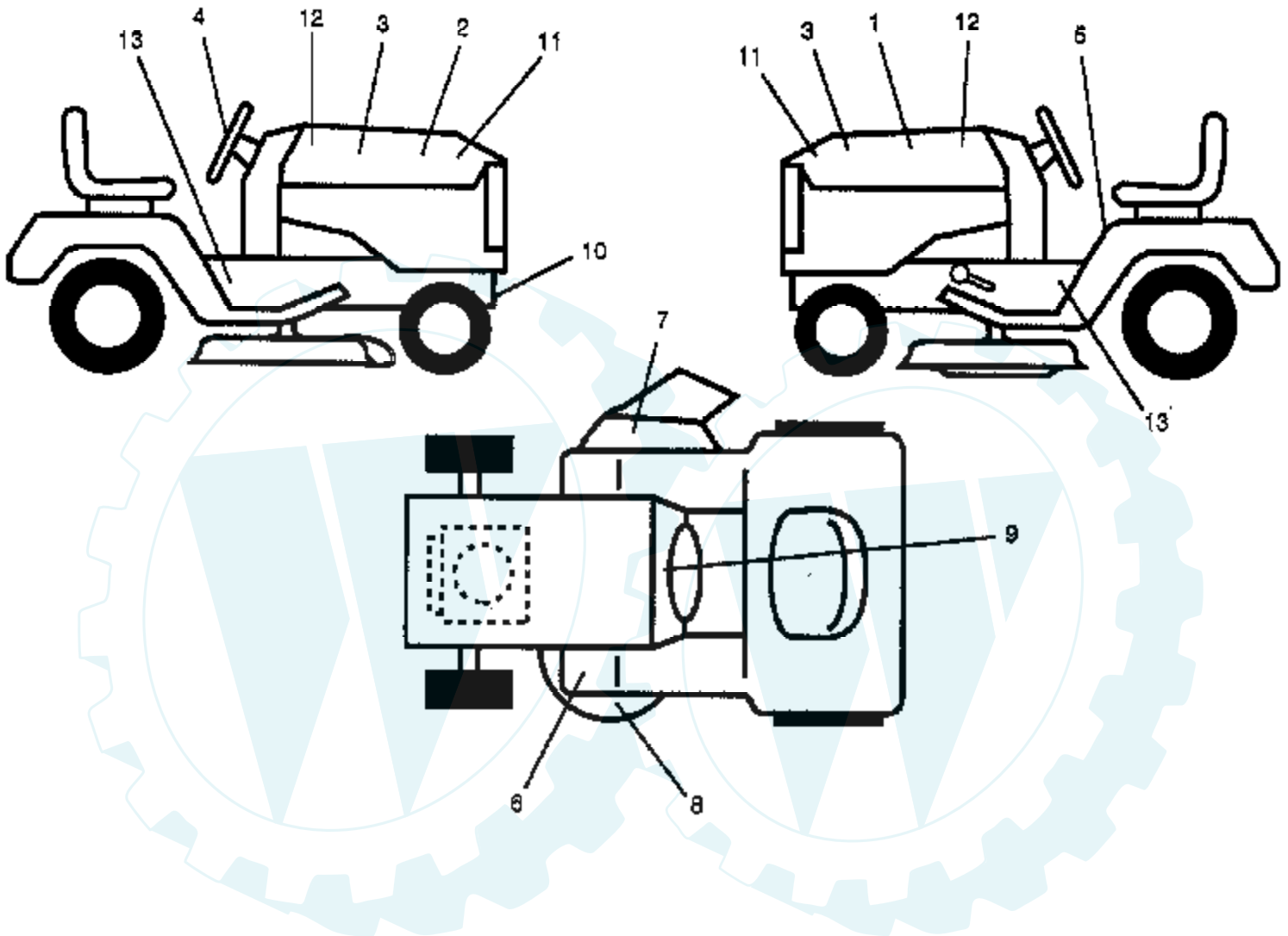


Ref #	Part Number	Qty	Description
1	52 041 20		GASKET
2	52 755 78		KIT
3	25 086 07		SCREW
4	220534		WASHER
5	41 086 02		SCREW
6	52 072 15		STUD
7	X-82-2		NUT



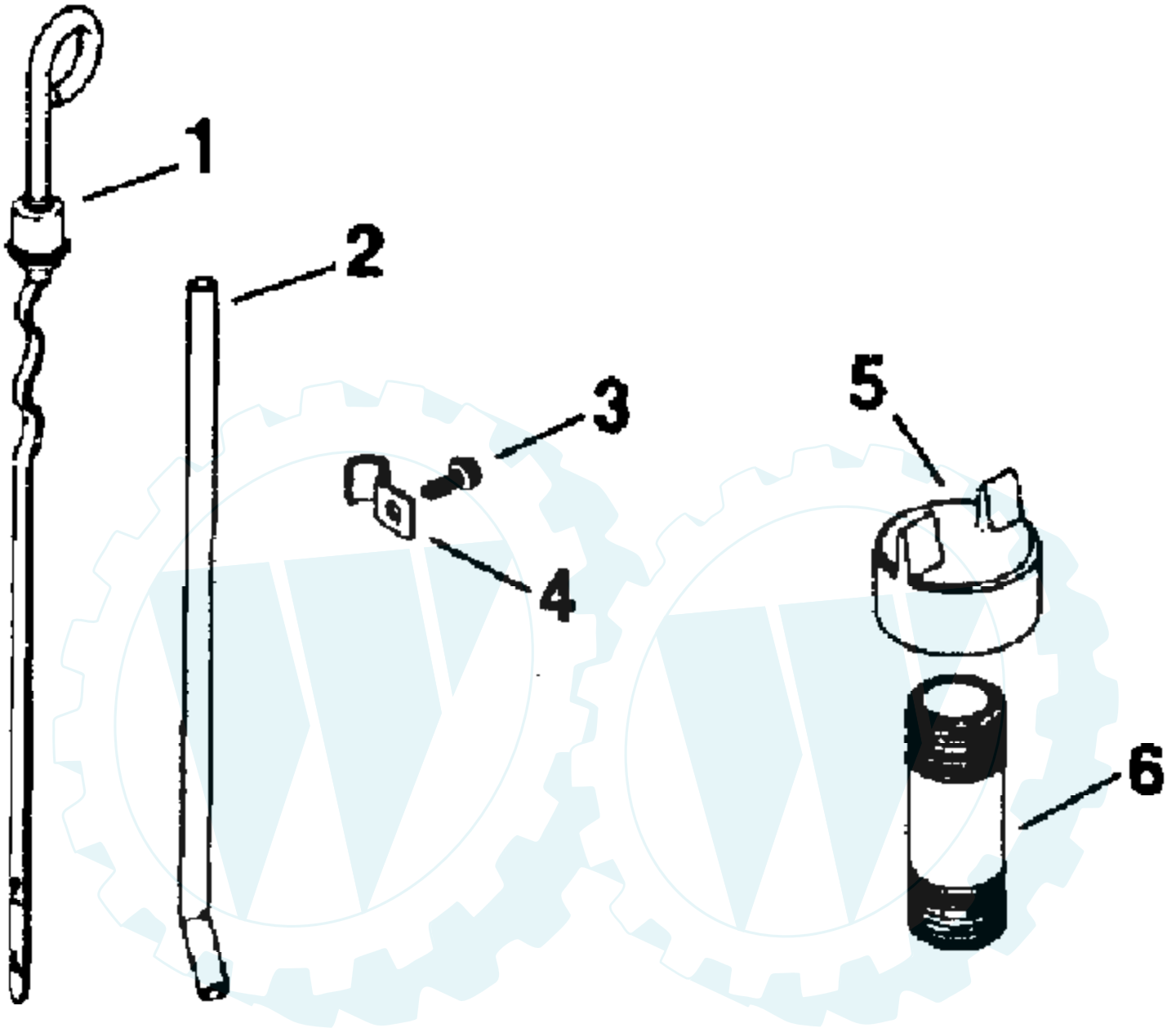
20 HP 50" TRACTOR - MODEL NUMBER AYP8208A29

DECALS



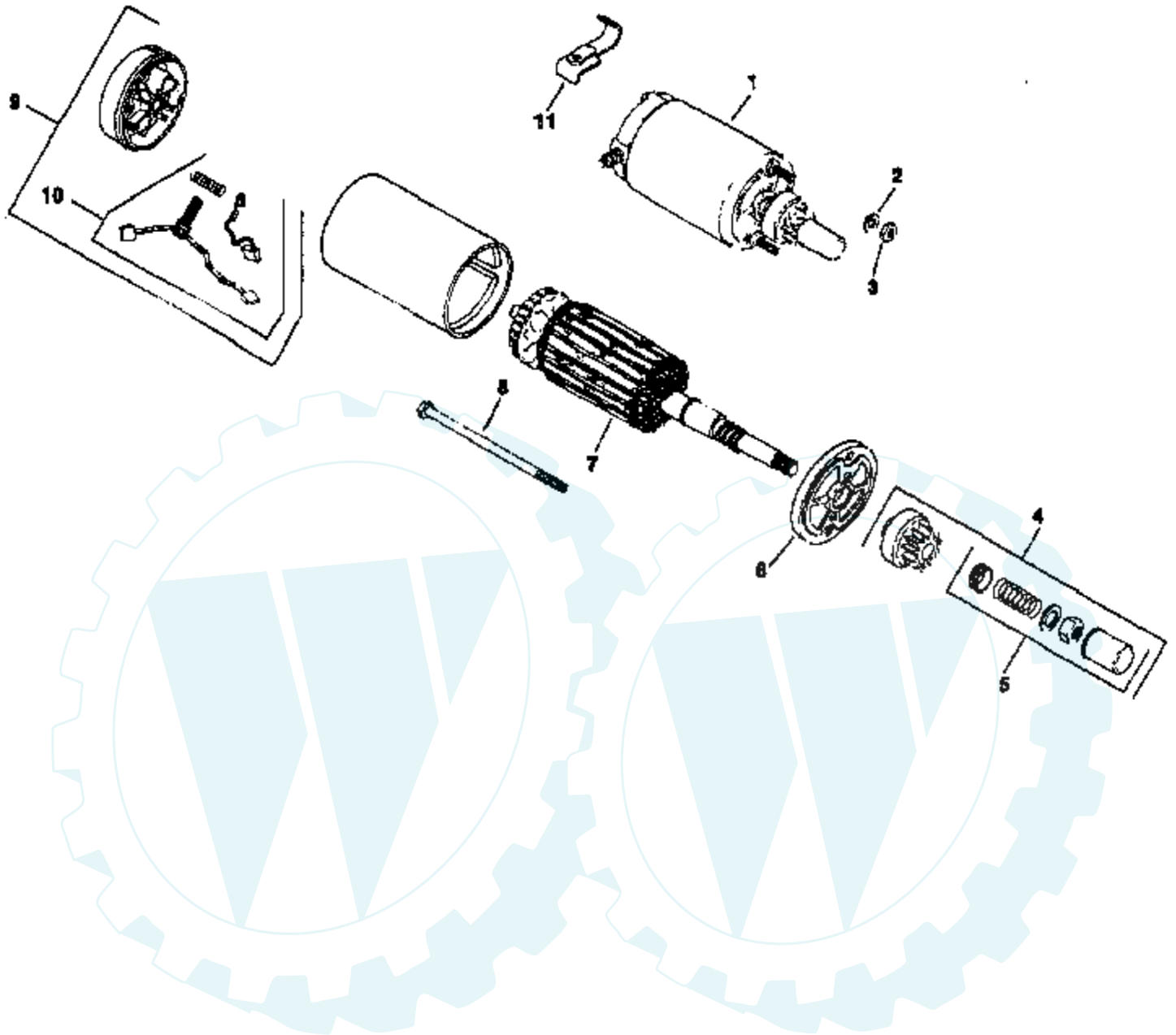
Ref #	Part Number	Qty	Description
1	133869		NLA
2	133868		NLA
3	134274		NLA
4	134299		NLA
5	133796		DECAL
6	4900J		DECAL T
7	121343X		DECAL WARING
8	3713J		DECAL INSTRUCTION CAUTION
9	108456X		SUB= 138955
10	123246X		DECAL ADJ
11	133780		NLA
12	134764		NLA
13	134965		NLA
	134761		MANUAL





Ref #	Part Number	Qty	Description
1	52 038 04		DIPSTICK
2	52 123 09		TUBE, OIL LEVEL
3	X-67-64		SCREW
4	52 154 01		CLIP, TUBE
5	52 173 01		CAP, PIPE
6	46 136 02		PIPE, OIL FILL



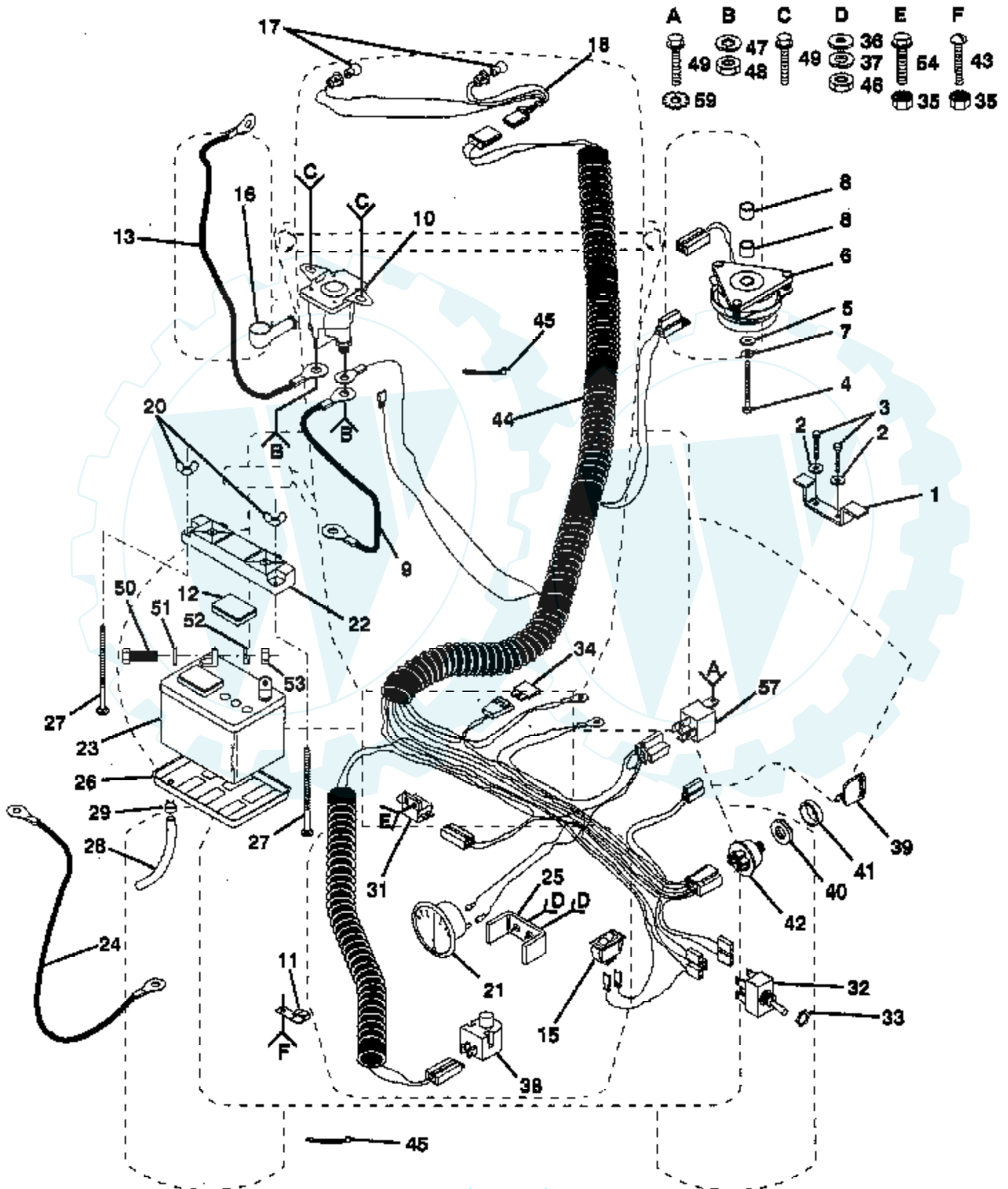


Ref #	Part Number	Qty	Description
1	52 098 06		STARTER ASSEMBLY
2	X-20-1		WASHER
3	X-81-1		NUT
4	52 755 05		KIT
5	52 755 08		KIT
6	52 227 01		CAP
7	52 170 03		ARMATURE
8	52 211 03		BOLT
9	52 227 07		CAP
10	52 755 15		KIT, BRUSH
11	52 126 09		BRACKET, MOUNTING
	52 357 01		LUBRICANT, STARTER
	25 450 03		TAG, CAUTION

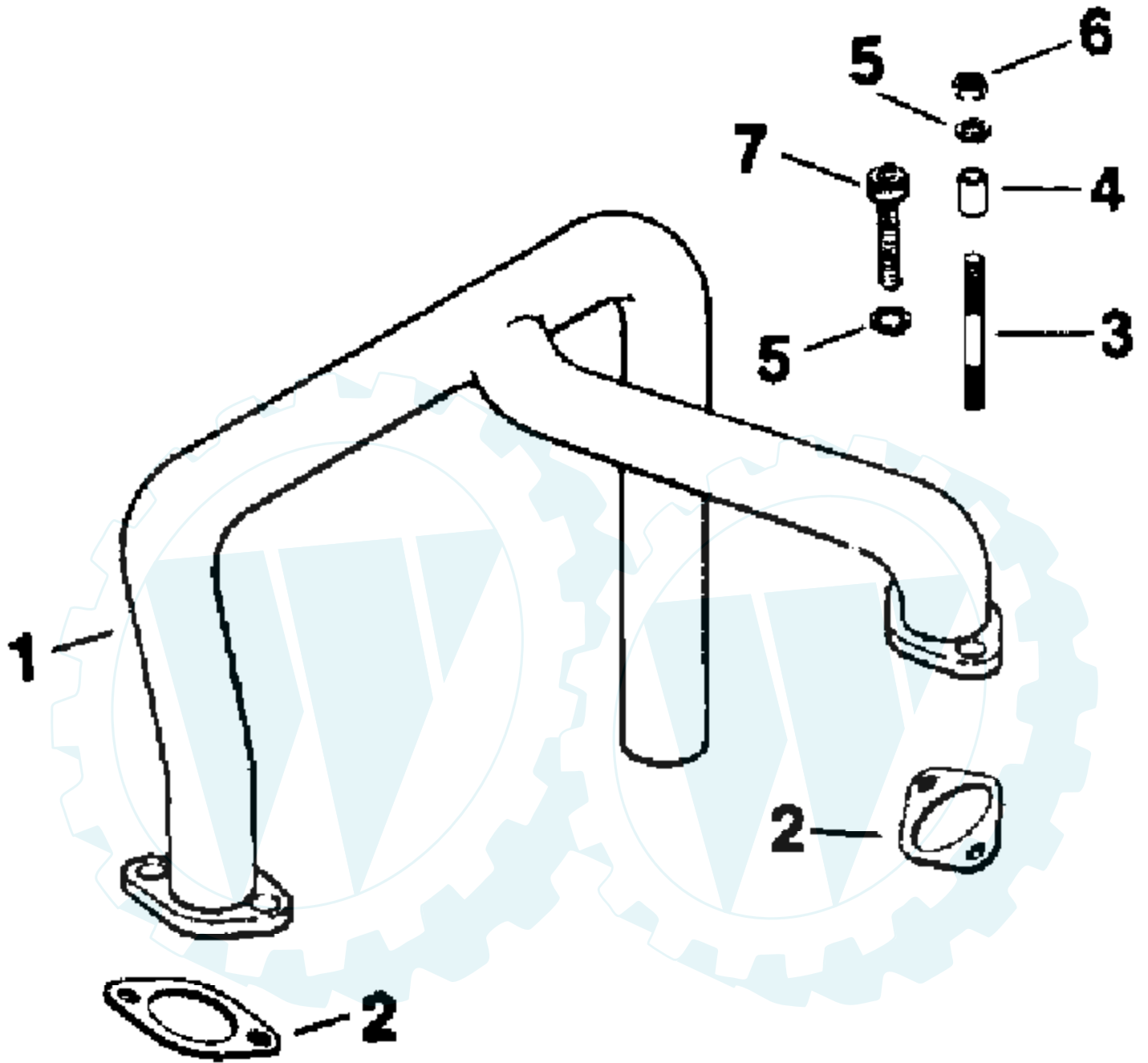


20 HP 50" TRACTOR - MODEL NUMBER AYP8208A29

ELECTRICAL

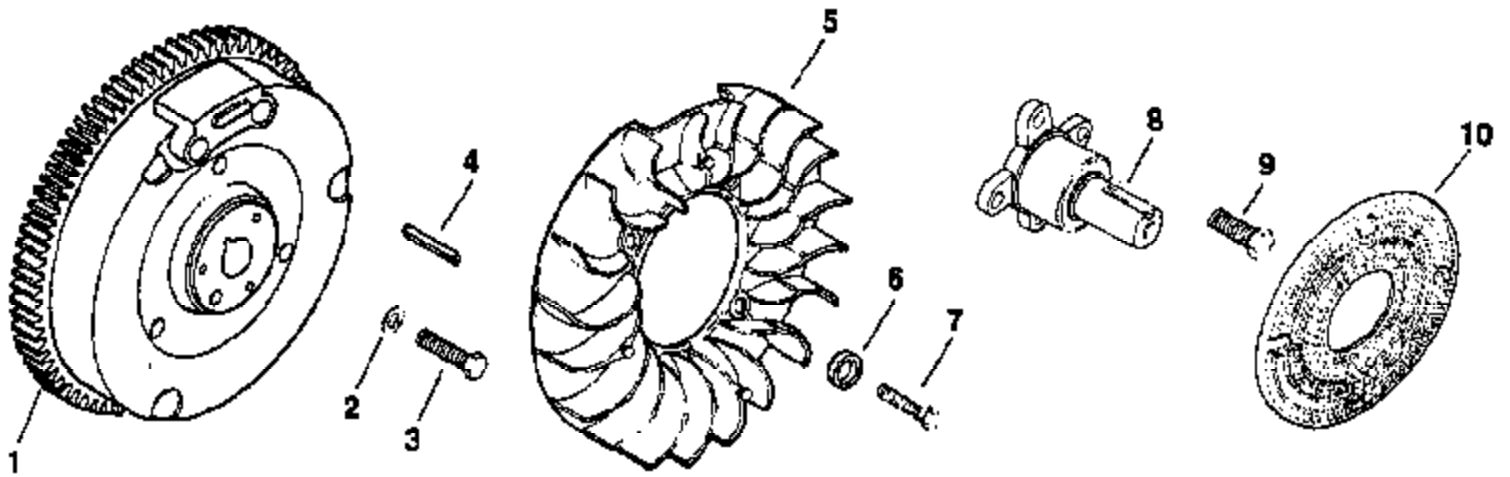


Ref #	Part Number	Qty	Description
1	110882X		STOP T
2	10040600		LOCKWASHER
3	74780612		BOLT
4	71130724		SUB= 871130724
5	126197X		WASHER
6	127170X		SUB= 133501
7	10040700		LOCKWASHER
8	128224		SPACER-CLUTCH
9	4206J		CABLE-BATTERY T
10	109081X		SUB= 146154
11	4171R		CLIP T
12	121264X		"CAP,BATTERY "
13	129458		"CABLE,STARTER T"
15	110712X		SWITCH LT
16	131563		SUB= 154336
17	7662J		SUB= 4152J
18	127441X		SUB= 136850
20	123198X		SUB= 146525
21	9433R		AMMETER T
22	102476X		SUB= 150109
23	121537X		SUB= 123899X
24	4207J		CABLE T
25	131708		SUB= 532131708
26	7603J		"TRAY T, BATTERY"
27	72240460		BOLT
28	100541K		SUB= 7697J
29	109596X		HOSE CLAMP T
31	104445X		SWITCH-INTER. GT
32	126016X		SUB= 4021J
33	4022J		HEX NUT T
34	108824X		FUSE HYT
35	73951000		"NUT,KEPS"
36	19070818		WASHER
37	10101000		SUB= 10071000
38	121305X		SWITCH SEAT
39	122147X		KEY
40	124211X		NUT IGNITION
41	123620X		SUB= 141226
42	4406R		SUB= STD365402
43	74641008		SUB= 71031008
44	135337		HARNESS
45	7192J		WIRE TIE
46	73911000		NUT
47	10090400		SUB= 10040400
48	73350400		NUT
49	17190408		SCREW ST
50	74760412		BOLT LT
51	19091016		WASHER
52	10040400		LOCKWASHER
53	73220400		SUB= 50675
54	71031008		SCREW
57	109748X		RELAY ASSY T
59	11050600		LOCKWASHER



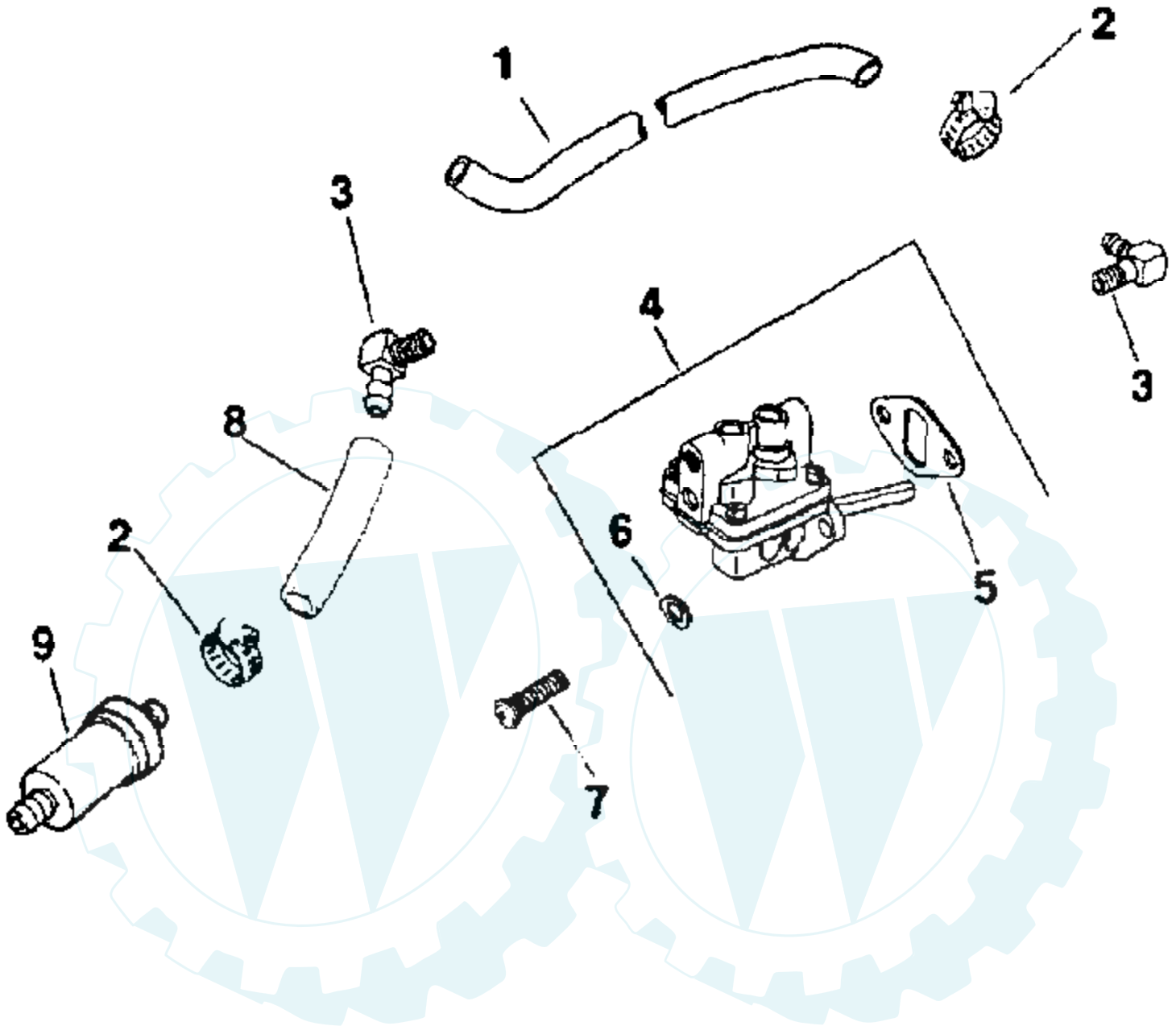
Ref #	Part Number	Qty	Description
1	52 164 17		MANIFOLD
2	52 041 14		GASKET
3	52 072 13		STUD
4	52 112 08		SPACER
5	X-21-1		WASHER
6	X-82-2		NUT
7	X-55-6		SCREW





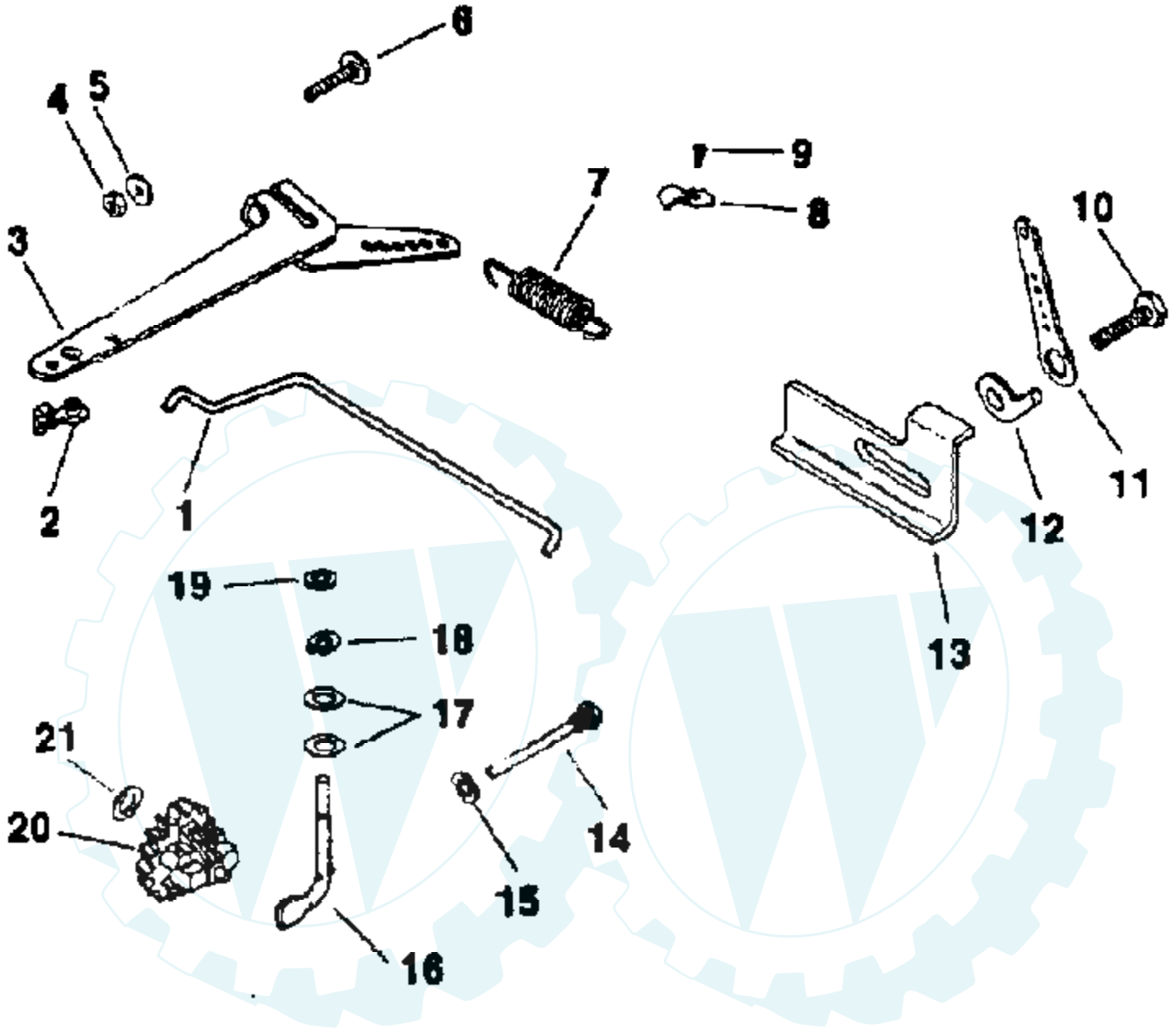
Ref #	Part Number	Qty	Description
1	52 025 36		FLYWHEEL
2	52 468 15		WASHER
3	25 086 24		SCREW
4	X-286-17		KEY
5	25 157 01		FAN
6	25 112 04		SPACER
7	25 086 21		SCREW
8	237373		SHAFT, FRONT DRIVE
9	X-159-2		SCREW
10	25 162 02		SCREEN, GLASS



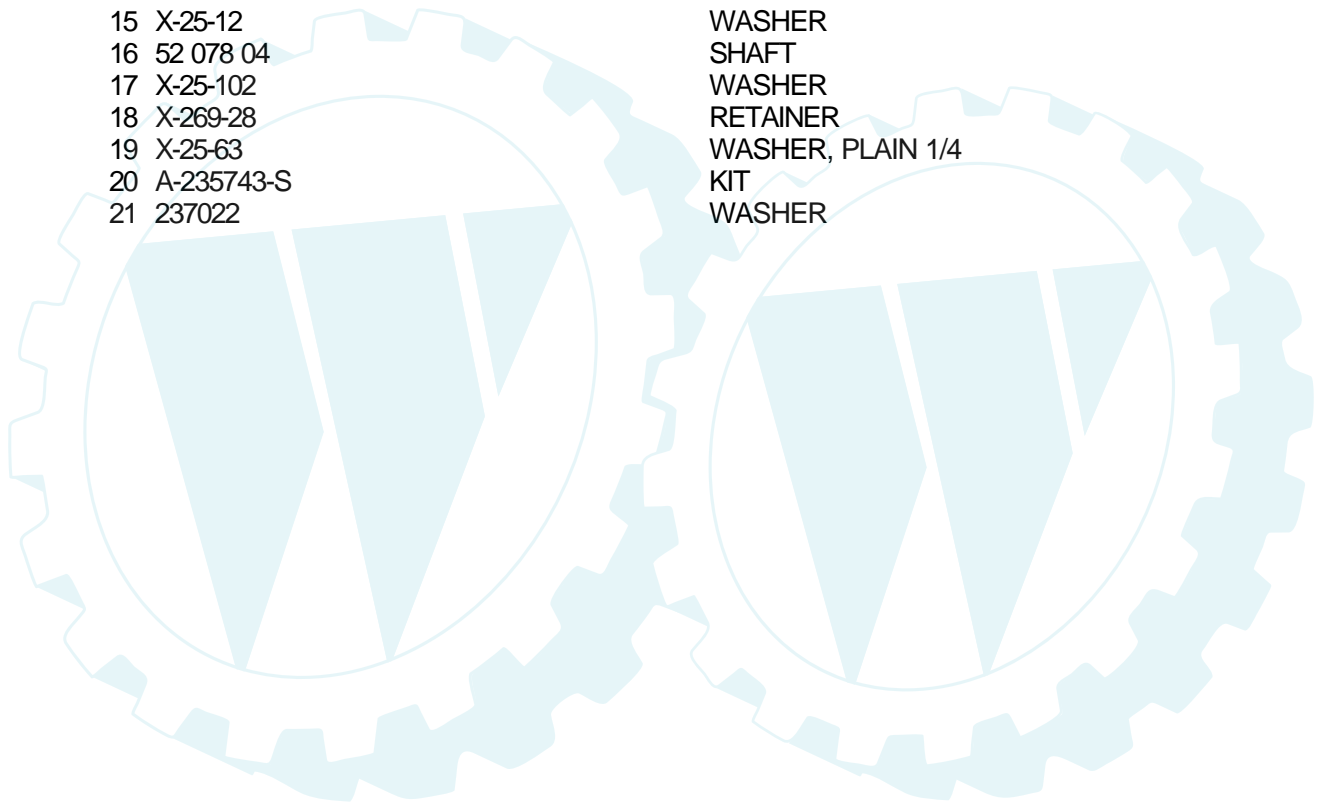


Ref #	Part Number	Qty	Description
1	52 353 04		LINE, FUEL
2	X-426-9		CLAMP, HOSE
3	25 155 02		CONNECTOR, HOSE
4	52 559 01		PUMP
5	25 041 05		GASKET
6	X-25-63		WASHER, PLAIN 1/4
7	47 086 08		SCREW
8	25 353 03		LINE
9	45 050 01		FILTER



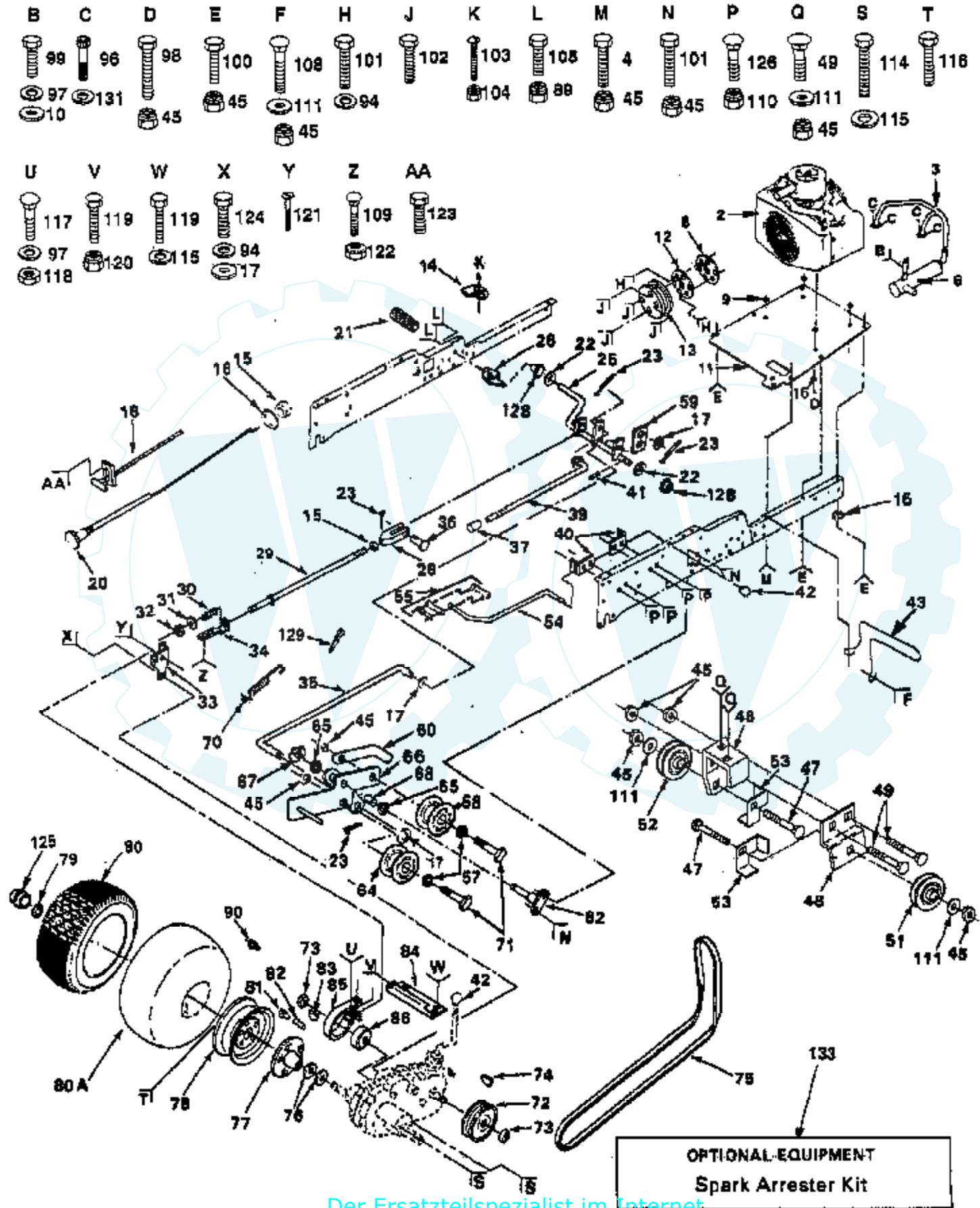


Ref #	Part Number	Qty	Description
1	82 755 07		KIT, GOVERNOR LINKAGE
2	25 158 09		BUSHING
3	52 186 06		ARM
4	X-81-1		NUT
5	X-25-72		WASHER
6	52 211 04		SCREW
7	52 091 04		SPRING
8	235778		CLAMP
9	X-67-97		SCREW
10	X-67-62		SCREW
11	52 119 01		LEVER, SPEED CONTROL
12	234614		STOP, GOVERNOR
13	52 531 02		STOP, HIGH SPEED
14	231355		PIN
15	X-25-12		WASHER
16	52 078 04		SHAFT
17	X-25-102		WASHER
18	X-269-28		RETAINER
19	X-25-63		WASHER, PLAIN 1/4
20	A-235743-S		KIT
21	237022		WASHER



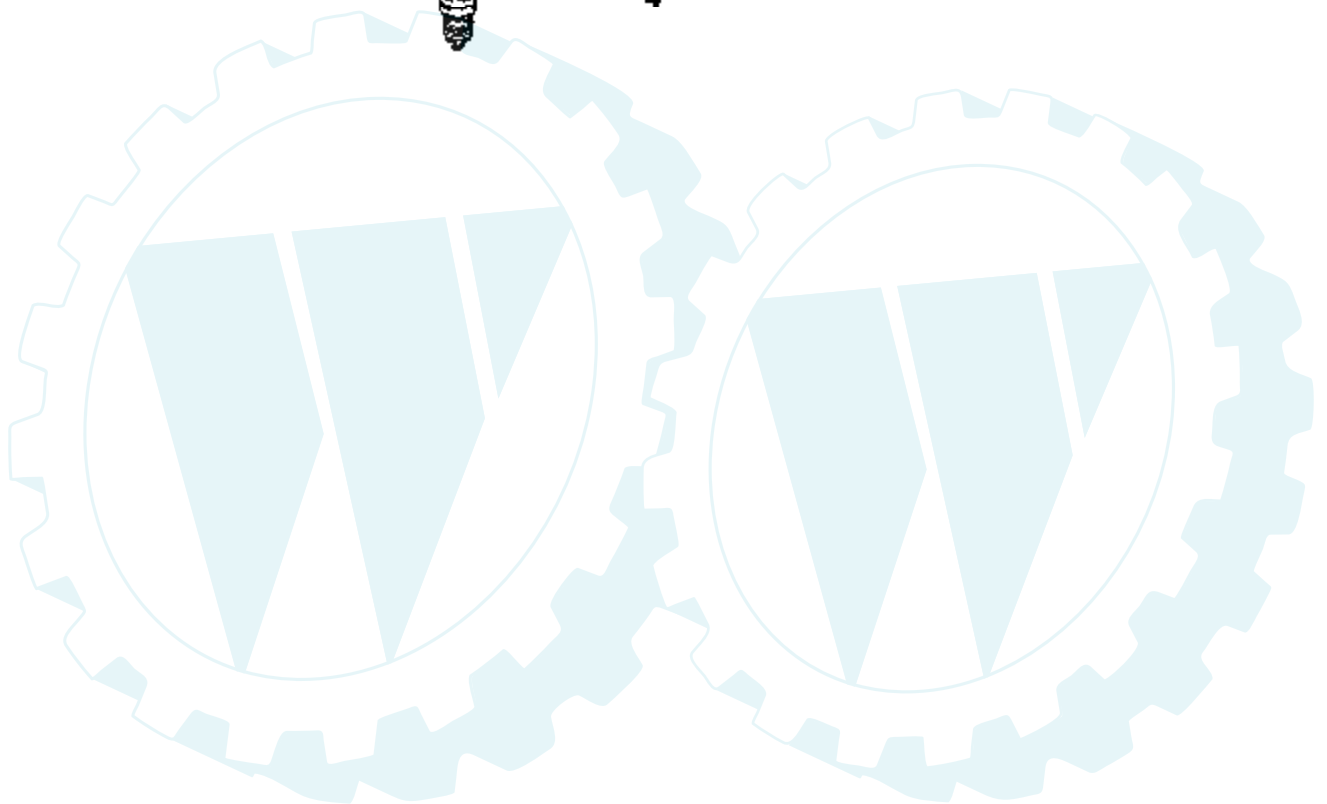
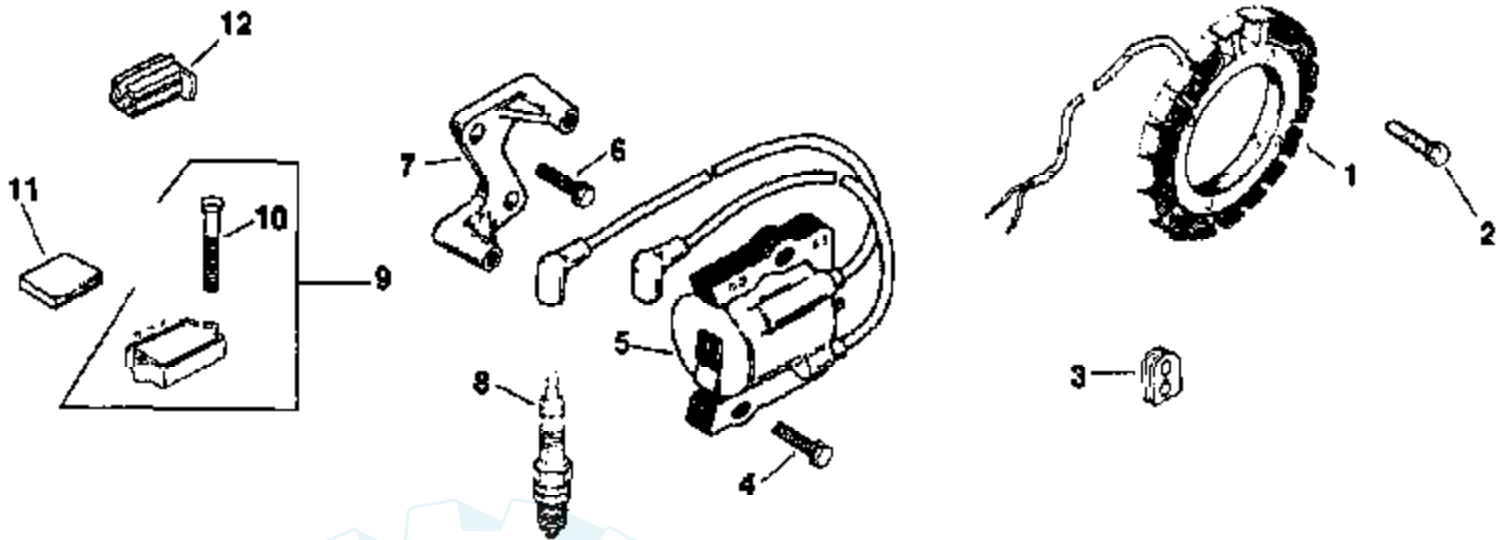
20 HP 50" TRACTOR - MODEL NUMBER AYP8208A29

GROUND DRIVE

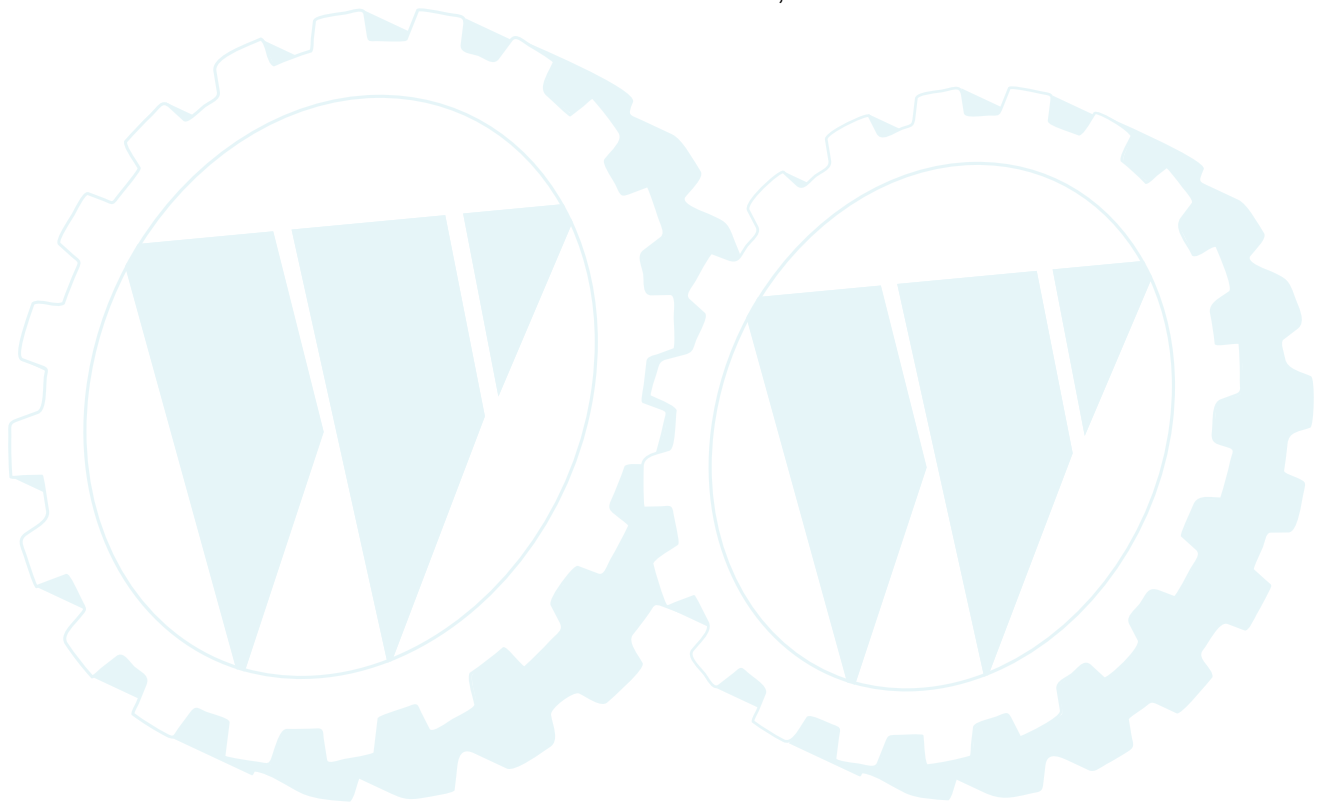


Ref #	Part Number	Qty	Description
2	135363		ENGINE
3	110891X		EXHAUST TUBE T
4	74780624		"BOLT,HEX"
6	127881		MUFFLER EXHAUST
8	110947X		CHAFF GUARD T
9	110869X		SUB= 133692
10	19091212		WASHER
11	110867X		"ENG. T, BASE"
12	104577X		ADAPTER T
13	121355X		SUB= 101343L
14	5304J		ACT-SWITCH T
15	73610600		SUB= 7810H
16	11050600		LOCKWASHER
17	19131316		WASHER
18	132746		SUB= 532132746
20	132780		SUB= 532132780
21	8883R		PEDAL COVER T
22	121749X		WASHER
23	76020312		SUB= 3145
25	104375X		SHAFT ASSY GT
26	104601X		BRKT SWITCH GT
28	100604K		YOKE GTV
29	5308J		BRAKE ROD T
30	7241J		SPRING T
31	19131614		WASHER
32	73530600		SUB= 7810H
33	377A637		BRACKET, BRAKE
34	7229J		GUIDE ROD T
35	101356L		ROD CLUTCH GTV
36	5102J		CLEVIS PIN T
37	71673		PLUNGER CAP T
39	109767X		SUB= 136284
40	105598X		ROD BRACKET GT
41	5142H		ROLL PIN STD
42	121466X		KNOB
43	108885X		GUARD MUFFLER HYT
45	73680600		SUB= 73690600
46	121063X		SUB= 139995
47	72110614		BOLT
48	122825X		BRKT IDLER FLAT
49	72140606		BOLT
51	102403X		IDLER-FLAT T
52	101344L		PULLEY V IDLR GTV
53	122824X		GUARD BELT
54	122253X		ROD SHIFT HI LO
55	122268X		CONNECTING LINK
57	19131413		WASHER
58	104360X		SUB= 131494
59	121358X		RETAINER SPRING
60	121360X		RETAINER BELT
62	101358K		BRACKET ASSY GTV
64	121361X		SUB= 139123
65	207J		WASHER T
66	121356X		BRACKET CLUTCH
67	12000039		KLIP RING
68	105706X		"LY, BEARING"
70	121357X		SPRING EXT CLUTCH
71	74760628		BOLT

Ref #	Part Number	Qty	Description
72	120332X		PULLEY GT
73	9204H		NUT STD
74	9858M1		KEY
75	110883X		BELT-V.98.5.GD.DV
76	7563R		WASHER T
77	634A692		SUB= 149176X431
78	106277X311		SUB= 106277X427
79	12000034		KLIP RING
80	105588X		SUB= 122077X
80A	7154J		TUBE.23X8/10-12
81	59192		VALVE CAP
82	65139		VALVE STEM LT
83	2228M		SUB= 2228M1
84	120404X		SUB= 156404
85	101122M		BRAKE BAND ASM
86	214J		BRAKE DRUM T
89	73680400		SUB= 73690400
90	6856M		ZERK FITTING M
94	10040600		LOCKWASHER
96	74570512		SCREW
97	10040400		LOCKWASHER
98	74760620		SUB= 74780620
99	74780412		SUB= 74780414
100	74760612		SUB= 74780612
101	74780616		BOLT
102	17190516		SCREW
103	74321016		SCREW
104	73631000		SUB= 69180
105	74760412		BOLT LT
108	72140610		BOLT.3/8-14X1.25
109	72110506		SUB= 72270506
110	73680500		SUB= 73690500
111	19131612		WASHER GT
114	74760720		BOLT
115	10040700		LOCKWASHER
116	1304H		SUB= 140080
117	72140405		BOLT T
118	73220400		SUB= 50675
119	74760716		BOLT
120	73680700		NUT GTV
121	74370612		SCREW
122	1685H		SUB= 68478
123	17720410		SCREW LT
124	74760614		SUB= 74760616
125	104758X		CAP-HUB GT
126	72140506		BOLT
128	110895X		NYLINER T
129	76020816		COTTER PIN
131	10170500		LOCKWASHER
133	132922		SPARK ARREST KIT

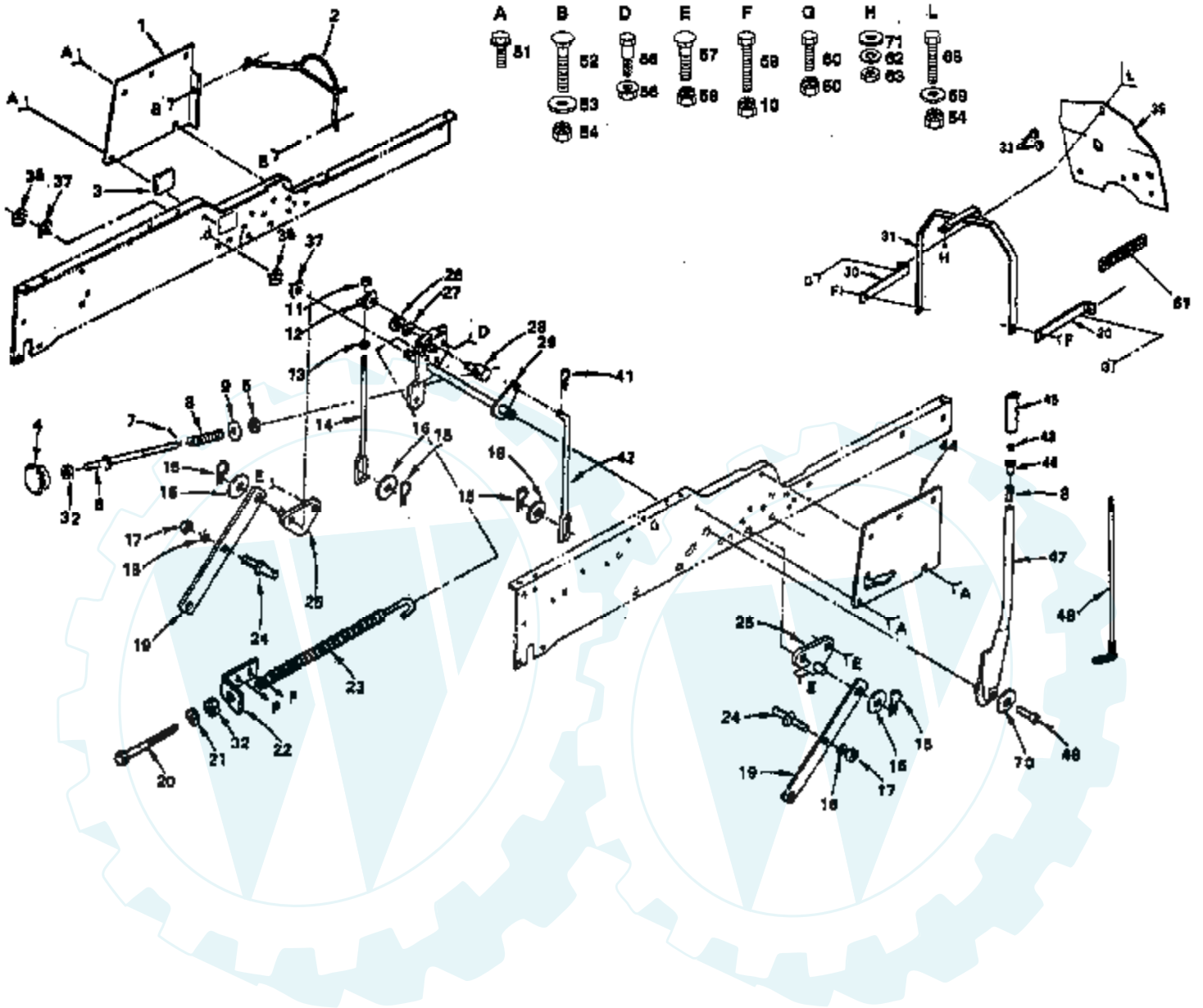


Ref #	Part Number	Qty	Description
1	237878		KIT
2	X-67-51		SCREW
3	52 313 02		GROMMET
4	25 086 15		SCREW
5	52 584 02		MODULE, IGNITION
6	25 086 16		SCREW
7	52 126 08		BRACKET, MODULE
8	51 132 02		SPARK PLUG
9	25 755 03		KIT
10	X-132-5		SCREW
11	236602		CONNECTOR
12	236473		CONNECTOR
	25 518 21		LEAD, RED
	52 518 22		LEAD, BLACK



20 HP 50" TRACTOR - MODEL NUMBER AYP8208A29

LIFT ASSEMBLY



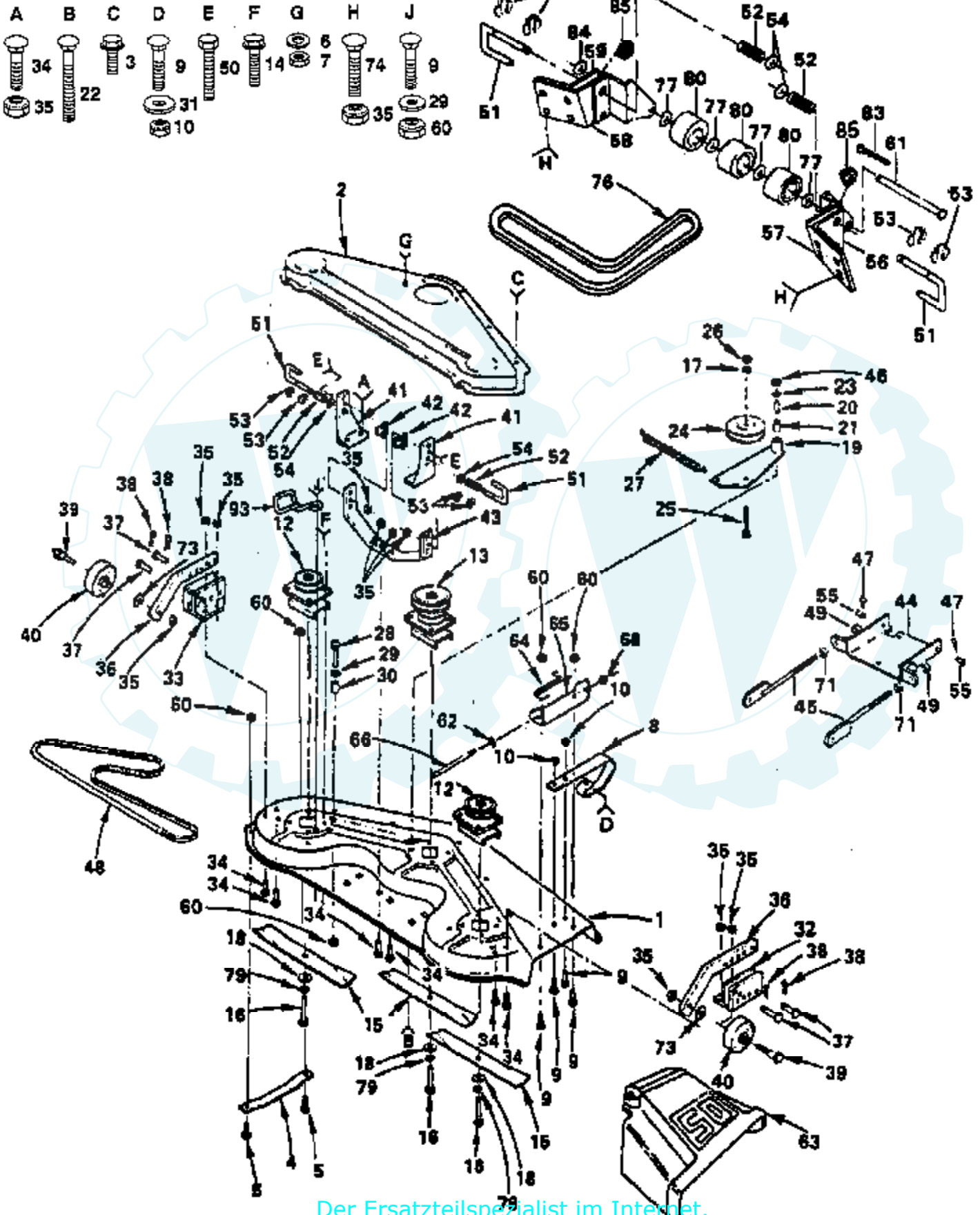
Ref #	Part Number	Qty	Description
1	121044X		SUB= 532121046
2	126651X		"GUARD, BELT"
3	121794X		COVER ACCESS
4	100734K		SUB= 138057
5	110807X		NUT T
6	110811X		ROD ADJ. T
7	76020308		SUB= 3145
8	2876H		SPRING T
9	19131016		WASHER
10	73680600		SUB= 73690600
11	73800600		NUT
12	7594J		BRACKET T
13	73220600		NUT.HEX.3/8-16UNC
14	7596J		LINK-LIFT MOW T
15	9135R		SPRING H
16	19171616		WASHER
17	73220800		NUT
18	10040800		LOCKWASHER
19	105429X		SUSPENSION ARM GT
20	5328J		BOLT-ADJ SPRING T
21	19131316		WASHER
22	5329J		SUB= 143363
23	674A247		SUB= 918674A247
24	105413X		PIVOT STUD GT
25	105501X		SUSP BRACKET T
26	12000037		KLIP RING
27	19151216		WASHER
28	110810X		TRUNION LT
29	120137X		SUB= 145542
30	110903X		BRACKET T
31	128141		SUB= 532128141
32	73350600		NUT
33	110436X		SUB= 9151R
35	122085X		"SHIELD HEAT, BASE"
36	12000022		E-RING
37	19292016		WASHER
41	4939M		SUB= 85902
42	105503X		LIFT LINK RH T
43	124526X		SUB= 125925X
44	121043X		SUB= 532121045
45	109413X		GRIP
46	122364X		SUB= 125925X
47	121002X		SUB= 123096X
48	121006X		LEVER ROD LT
49	74780624		"BOLT,HEX"
50	73680400		SUB= 73690400
51	17490608		SCREW LT
52	72140508		BOLT
53	19111610		WASHER
54	73680500		SUB= 73690500
55	7901J		SHOULDER BOLT T
56	73900400		NUT T
57	72140606		BOLT
58	73930600		LOCKNUT
59	74760616		BOLT
60	74780408		BOLT
61	109458X		FOAM STRIP T
62	10090400		SUB= 10040400

Ref #	Part Number	Qty	Description
63	73220400		SUB= 50675
68	74760512		BOLT
69	19111216		WASHER M
70	10040600		LOCKWASHER
71	19091216		WASHER PM



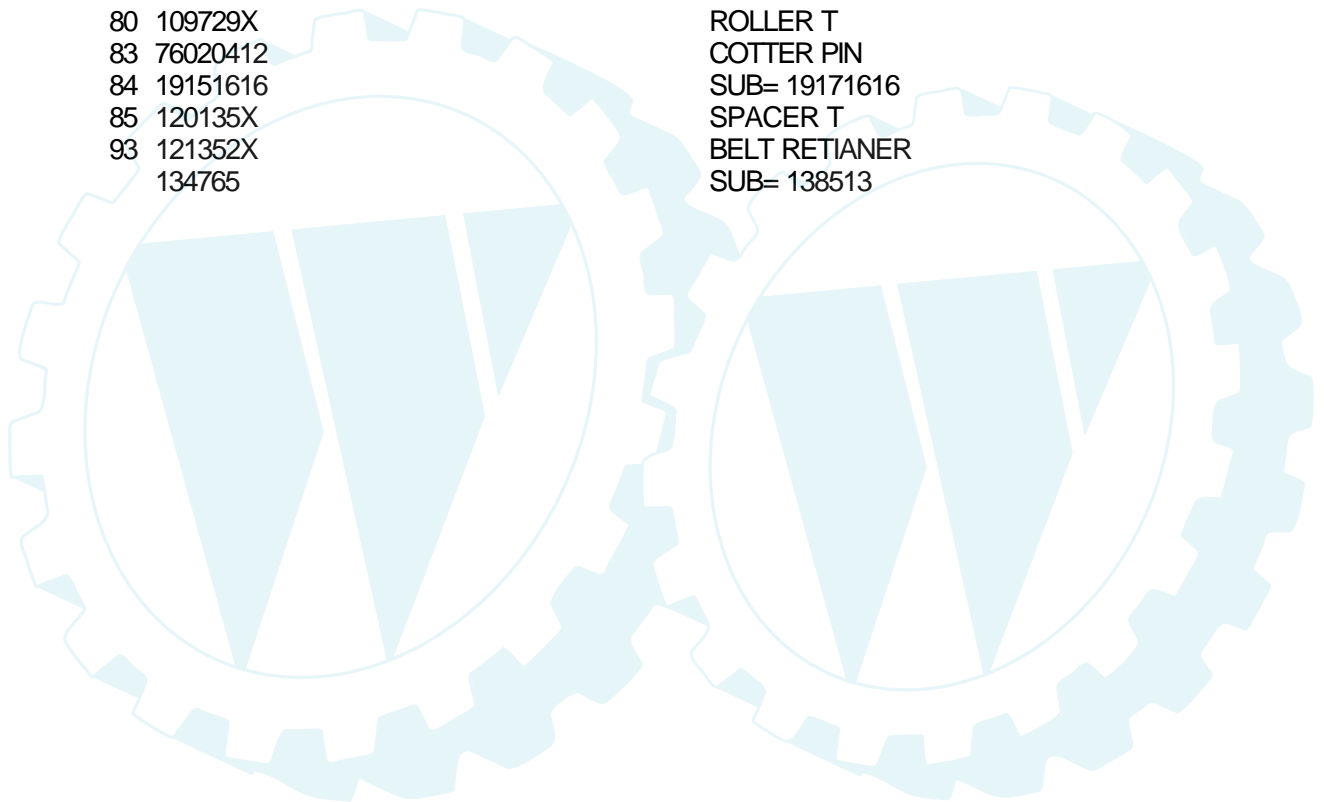
20 HP 50" TRACTOR - MODEL NUMBER AYP8208A29

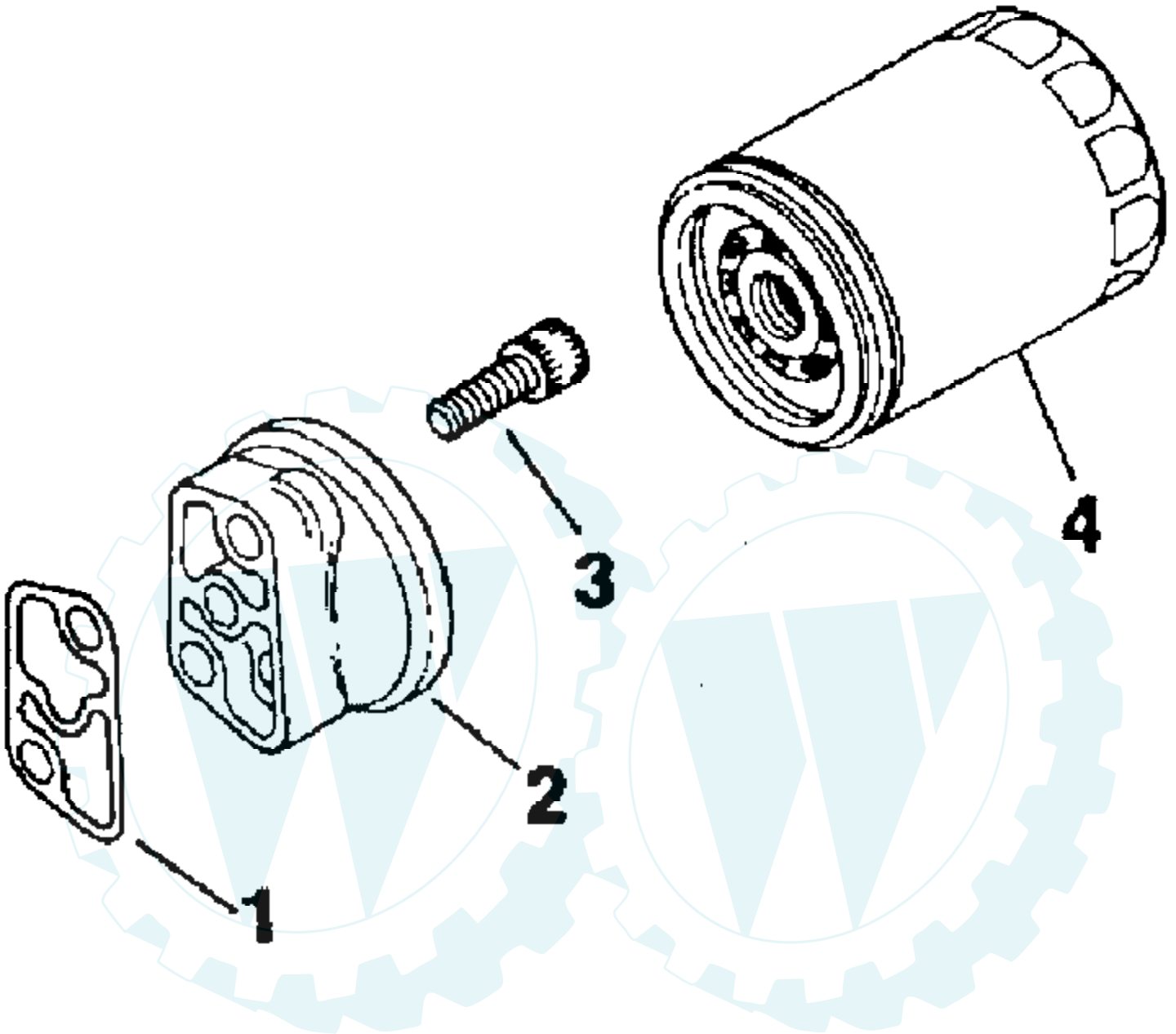
50" MOWER DECK



Ref #	Part Number	Qty	Description
1	121664X		SUB= 123760X
2	121811X		CVR DRIVE DECK
3	17490508		SCREW LT
4	7631J		RUNNER-LH M
5	72110505		BOLT
6	10040500		LOCKWASHER
7	73220500		NUT.HEX.5/16-18
8	120449X		SUB= 136320
9	72140506		BOLT
10	1685H		SUB= 68478
12	121658X		SUB= 136819
13	121657X		JACKSHAFT
14	17490612		SCREW
15	121798X		"BLADE.50""STD.LIFT"
16	74610624		BOLT.3/8-24X1-1/2
17	10040600		LOCKWASHER
18	19132012		WASHER
19	674A213		ARM ASSY GT
20	7834J		SUB= 674A308
21	7835J		SUB= 674A308
22	72110522		BOLT
23	19111816		SUB= 52915
24	102403X		IDLER-FLAT T
25	74760624		SUB= 74930624
26	73220600		NUT.HEX.3/8-16UNC
27	104361X		SPRING T
28	74780520		BOLT
29	19111216		WASHER M
30	8438J		SPACER SPLIT LT
31	19111116		WASHER
32	105448X		GUAGE WHL BRKT GT
33	105449X		GUAGE WHL BRKT GT
34	72240606		BOLT
35	73680600		SUB= 73690600
36	105453X		GUAGE WHL BAR GT
37	5565J		SUB= 139031
38	4939M		SUB= 85902
39	4898H		BOLT M
40	105455X		WHEEL.GAGE.BLK.PL
41	105433X		SUSP BRKT GT
42	110237X		SPACER GT
43	105434X		SUSP BRACE GT
44	109778X		SUB= 140741X431
45	109771X		BRACKET.SUSPEN.AS
46	73350500		JAM NUT TI
47	3146R		RETAINER.SPRING
48	3703J		V-BELT M
49	73680800		NUT LTV
50	74760622		BOLT
51	105435X		RELEASE PIN GT
52	3720R		SPRING M
53	12000039		KLIP RING
54	19171612		WASHER GT
55	105440X		CLEVIS PIN GT
56	105458X		BRACKET T
57	109773X		BRACKET T
58	110997X		BRACKET T
59	120000X		BRACKET T

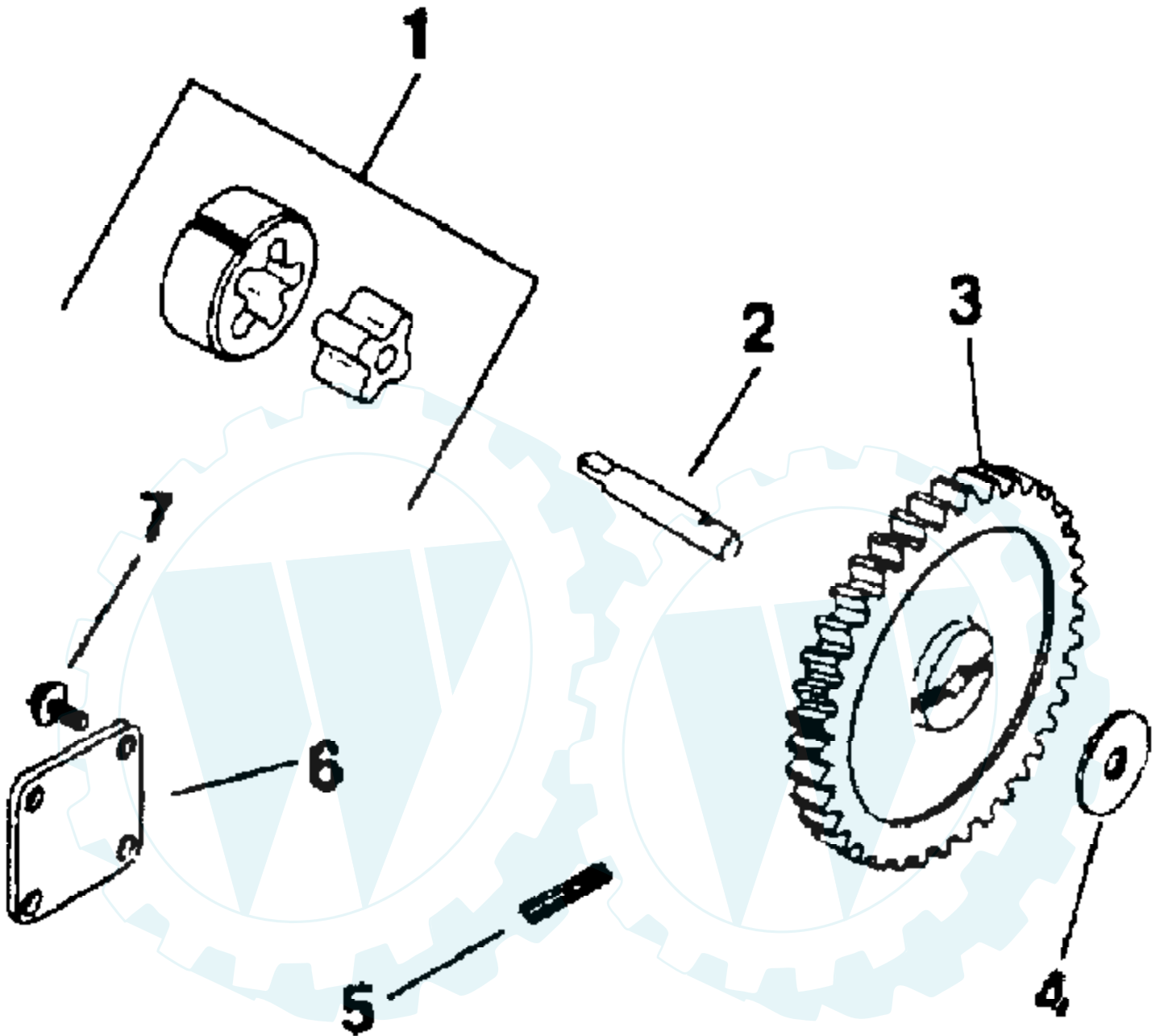
Ref #	Part Number	Qty	Description
60	73680500		SUB= 73690500
61	109776X		PIVOT PIN T
62	19111016		WASHER
63	110509X		DEFLECTOR
64	106734X		SUB= 123713X
65	109743X		SUB= 137607
66	106735X		ROD-HINGE T
68	110452X		NUT PUSH M
71	73220800		NUT
73	19171512		WASHER
74	72240608		BOLT
76	110884X		BELT-V.93.5.MWR
77	19151610		WASHER T
79	10030600		SUB= 10040600
80	109729X		ROLLER T
83	76020412		COTTER PIN
84	19151616		SUB= 19171616
85	120135X		SPACER T
93	121352X		BELT RETIANER
	134765		SUB= 138513





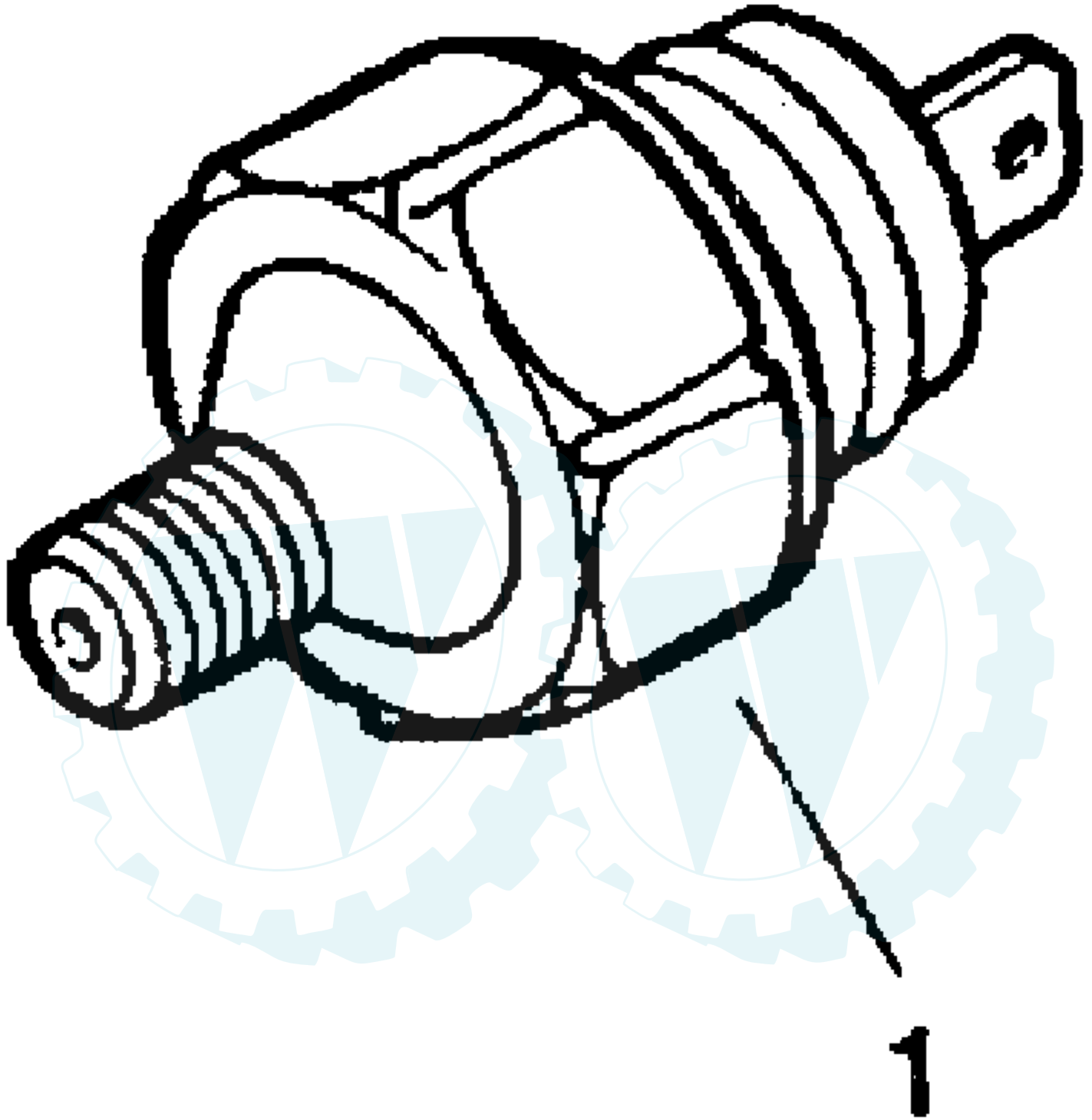
Ref #	Part Number	Qty	Description
1	52 041 16		GASKET
2	52 181 03		ADAPTER
3	X-55-15		SCREW
4	52 050 02		OIL FILTER





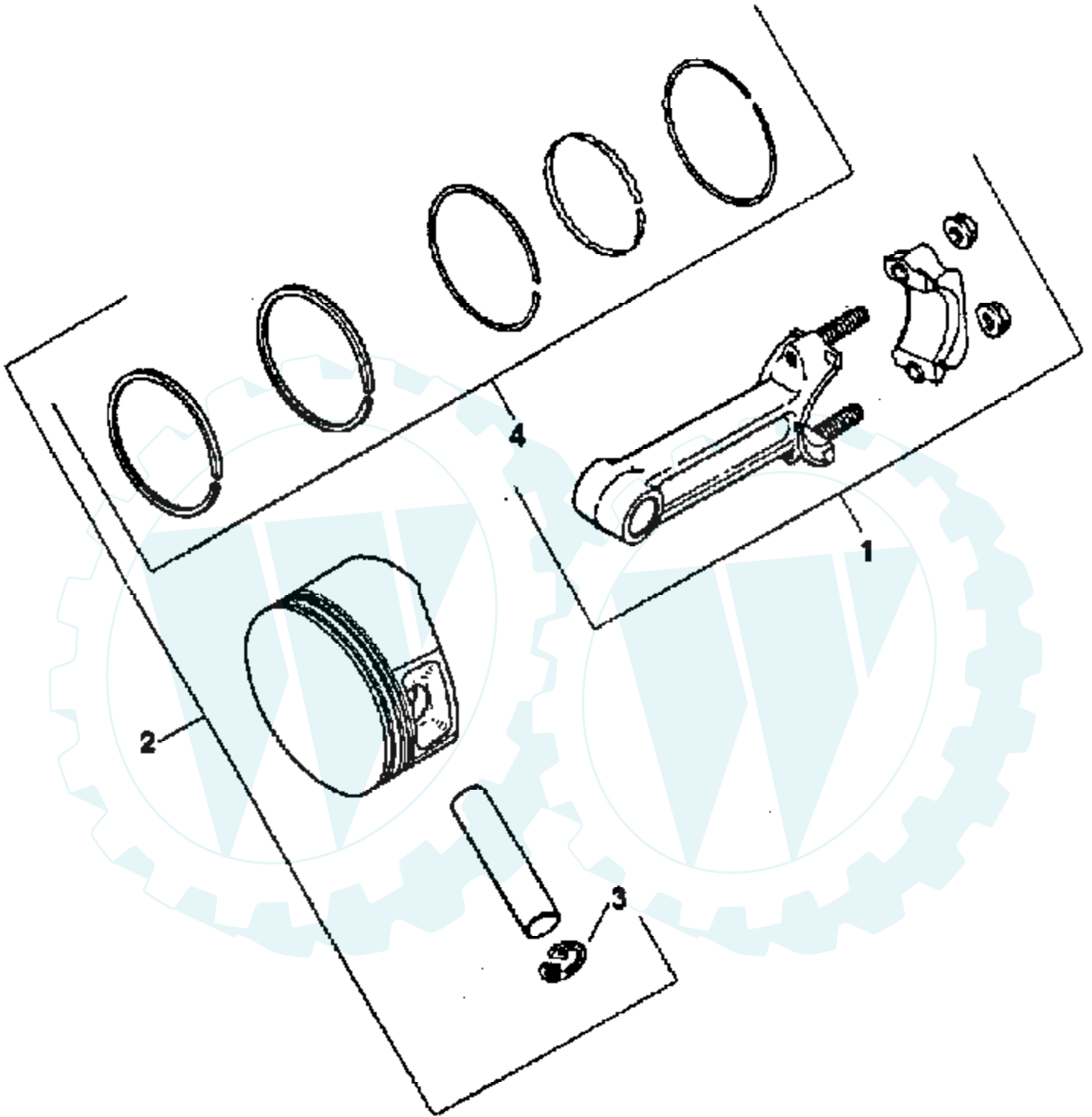
Ref #	Part Number	Qty	Description
1	52 393 09		ROTOR SET
2	52 144 05		SHAFT
3	52 043 05		GEAR
4	52 422 01		SPACER
5	X-280-25		PIN, ROLL
6	52 096 03		COVER, OIL PUMP
7	X-67-64		SCREW





Ref #	Part Number	Qty	Description
1	52 099 06		OIL PRESSURE SWITCH
	52 518 08		LEAD
	52 522 77		SHORT BLOCK
	52 755 94		GASKET SET



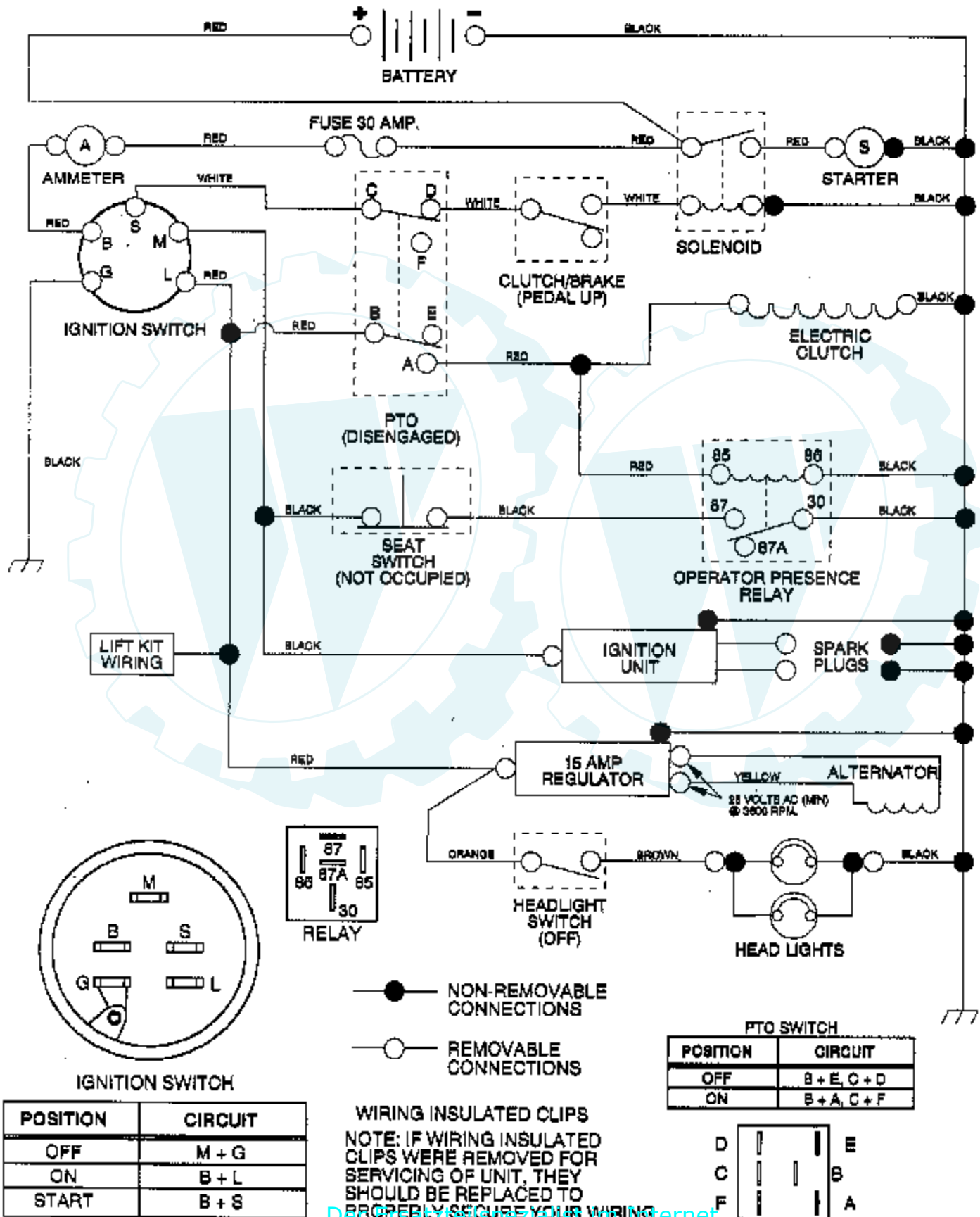


Ref #	Part Number	Qty	Description
1	52 067 71		CONNECTING ROD
	52 067 72		CONNECTING ROD
2	52 874 16		PISTON W/RING SET
	52 874 17		PISTON W/RING SET
	52 874 18		PISTON W/RING SET
	52 874 19		PISTON W/RING SET
	52 874 20		PISTON W/RING SET
3	52 141 01		RETAINER, PISTON PIN
4	52 108 09		RING SET
	52 108 10		RING SET
	52 108 11		RING SET
	52 108 12		RING SET



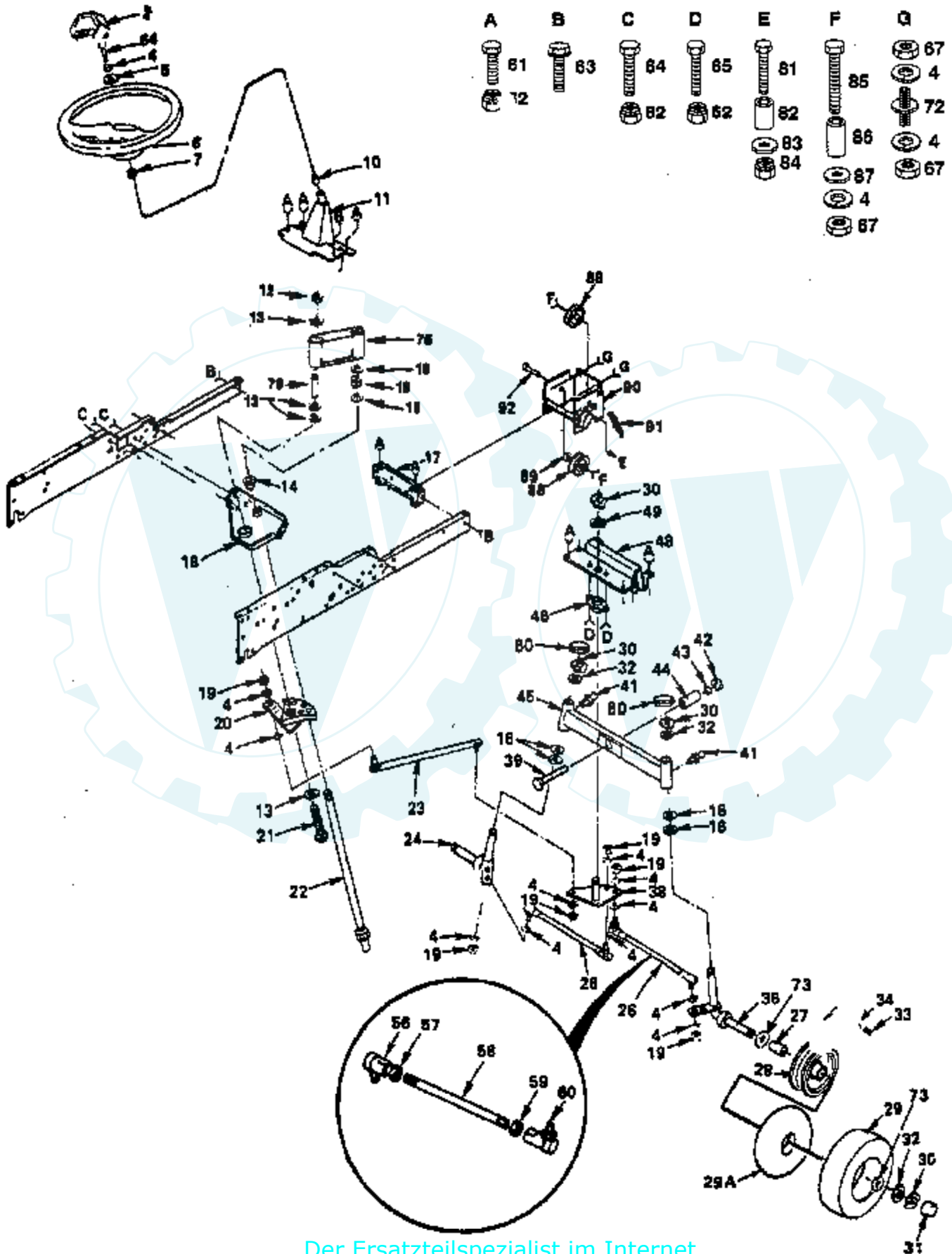
20 HP 50" TRACTOR - - MODEL NUMBER AYP8208A29

SCHEMATIC



20 HP 50" TRACTOR - MODEL NUMBER AYP8208A29

STEERING



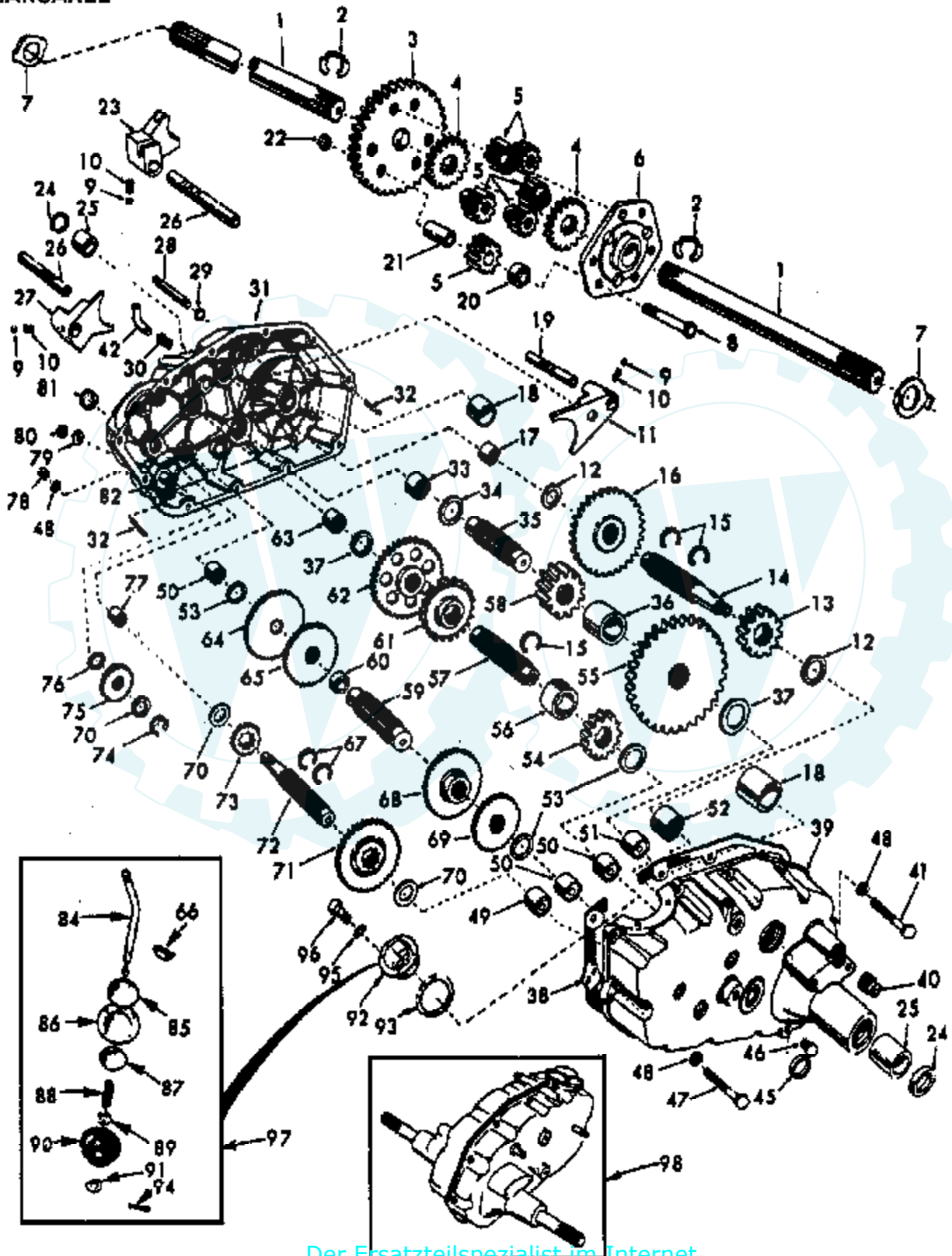
Ref #	Part Number	Qty	Description
2	126805X		"INSERT,STR WHEEL"
4	10040600		LOCKWASHER
5	19133808		WASHER T
6	121472X		SUB= 150546
7	100711L		ADAPTER LT
10	9038R		"T, BEARING"
11	101274N		SUPPORT ASSY T
12	73680800		NUT LTV
13	19172610		WASHER GT
14	104239X		"FLANGE GT, BEAR."
15	12000034		KLIP RING
16	6266H		WASHER .T
17	5213J		FRAME BRACKET GT
18	102439X		SUB= 144668
19	73610600		SUB= 7810H
20	120424X		SECTOR T
21	74780880		BOLT T
22	104591X		SHAFT STEERING GT
23	110497X		LINK.DRAG.T
24	121168X		SPINDLE LH
26	121159X		TIE ROD
27	9040H		"FLANGE, BEARING"
28	106228X311		SUB= 106228X427
29	106230X		SUB= 122075X
29A	8134H		TUBE.16X6.5/7.5-8
30	12000029		RING
31	104757X		HUB CAP
32	121748X		WASHER
33	59192		VALVE CAP
34	65139		VALVE STEM LT
35	278H		FITTING LT
36	121167X		SPINDLE RH
38	108137X		"T, BELLCRANK"
39	74781044		BOLT
41	6855M		ZERK M
42	73221000		NUT X
43	10041000		WASHER
44	5298J		SUB= 136518
45	5297J		SUB= 677H999
46	5292J		SUB= 140342
48	5284J		AXLE BRACKET T
49	19292016		WASHER
56	121161X		SUB= 109851X
57	73700600		NUT
58	121162X		ROD TIE
59	73360600		NUT
60	121160X		SUB= 109850X
61	74760612		SUB= 74780612
62	73680600		SUB= 73690600
63	17490612		SCREW
64	74780616		BOLT
65	74760616		BOLT
67	73220600		NUT.HEX.3/8-16UNC
72	106615X		SUB= 677A928
73	121749X		WASHER
76	121177X		COLLAR
79	120199X		TUBE T
80	121232X		CAP

Ref #	Part Number	Qty	Description
81	74930516		BOLT GT
82	102933X		SPLIT SPACER YTV
83	19111416		WASHER
84	73680500		SUB= 73690500
85	74760636		BOLT
86	100644K		BUSHING LT
87	19131413		WASHER
88	677A451		IDLER-INSIDE T
89	19133808		WASHER T
90	120542X		IDLER BRKT T
91	7190J		SPRING
92	74760632		SUB= 74930632



20 HP 50" TRACTOR - MODEL NUMBER AYP8208A29

TRANSAXLE



Ref #	Part Number	Qty	Description
1	4197R		SHAFT.AXLE.T
2	12000034		KLIP RING
3	4199R		FINAL GEAR T
4	4216R		DIFF GEAR T
5	4215R		DIFF PINION T
6	4217R		DIFF CARRIER T
7	6256H		WASHER T
8	74020652		BOLT
9	7392M		SUB= 100482K
10	6272H		SUB= 145359
11	4985R		SHIFT FORK T
12	6266H		WASHER .T
13	4212R		RED PINION T
14	4196R		GEAR SHAFT T
15	6276H		SNAP RING T
16	633A63		GEAR T
17	8118M		"T, BEARING"
18	8740H1		BEARING
19	122238X		SHAFT
20	4218R		SPACER T
21	6252H1		PINION RS
22	7810H		GRIPCO NUT
23	6262H		FORK T
24	7393R		OIL SEAL STD
25	992R1		BRNG. T
26	6216H		SHAFT T
27	4986R		SHIFT FORK T
28	122254X		SHIFT SHAFT
29	6269H		SEAL T
30	5855H		VALVE M
31	122162X		GEARCASE RH
32	6277H		PIN T
33	4225R		NEEDLE BRNG T
34	7396H		RACE T
35	4198R		GEAR SHAFT T
36	4200R		SUB= 532004200
37	7395H		RACE T
38	121878X		GASKET
39	122163X		GEARCASE LH
40	13320400		PLUG PIPE
41	74780526		BOLT
42	13170100		ELBOW STREET 90
45	6271H		SEAL T
46	13060200		SUB= 13020200
47	74780524		HEX BOLT
48	10140500		SUB= 10040500
49	4895H		"TI, BEARING"
50	4222R		NEEDLE BRNG T
51	1529R		NEEDLE BRNG T
52	8119M		"STD, BEARING"
53	4220R		BRNG RACE
54	4209R		RED PINION T
55	4213R		RED GEAR T
56	4442R		PINION SPACER T
57	4195R		GEAR SHAFT T
58	4214R		FINAL PINION T
59	4194R		GEAR SHAFT T
60	7528R		SPACER T

Ref #	Part Number	Qty	Description
61	4208R		RED PINION T
62	4207R		RED GEAR T
63	7398H		RACE T
64	4203R		LOW SPEED GEA T
65	4204R		REVERSE GEAR T
66	2898J		KEY T
67	4926H		RING STD
68	4205R		INTERMED GEAR T
69	4206R		SUB= 532004206
70	1370H		"T, BEARING"
71	633A69		CLUSTER GEAR T
72	208J		INPUT SHAFT T
73	4201R		LO SPEED PINION T
74	12000002		SUB= 2225J
75	1153R		IDLER GEAR T
76	7392H		WASHER T
77	3990H		BRNG T
78	73220500		NUT.HEX.5/16-18
79	1167R		WASHER T
80	73360700		NUT
81	6270H		SEAL STD
82	7384H		SHAFT T
84	5384J		GEAR SHFT LVR T
85	2978J		CAP T
86	633A85		COVER AND PIN T
87	8739H1		GUIDE BALL T
88	4924H		SPRING TI
89	19151516		WASHER
90	110542X		SEAL T
91	19181511		WASHER
92	75J		GEAR SHFT GA T
93	6274H		GASKET T
94	76020412		COTTER PIN
95	10040500		LOCKWASHER
96	74760514		BOLT
97	633A109		GEAR SHFT LVR T
98	122420X		SUB= 137982